

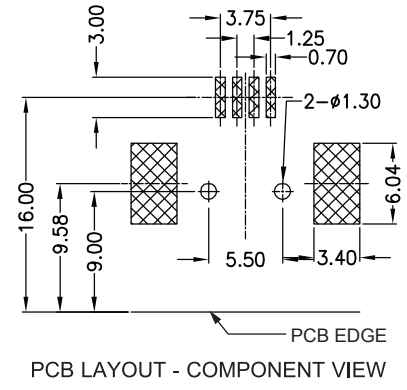
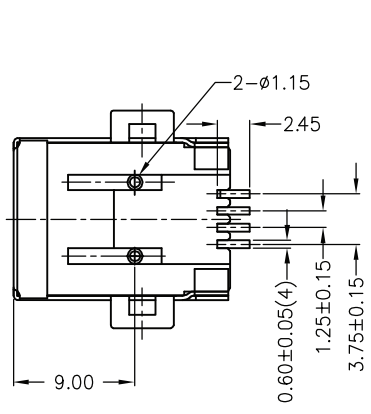
1

2

3

4

5



TECHNICAL CHARACTERISTICS

MATERIAL
 INSULATOR: NYLON 6T
 FLAMABILITY RATING: UL94-V0
 COLOR: BLACK
 CONTACT MATERIAL: COPPER ALLOYS
 CONTACT TYPE: STAMPED
 CONTACT PLATING: SELECTIVE GOLD
 SHIELDING: BRASS NI PLATED
 QUALITY CLASS: 1500 MATING CYCLE

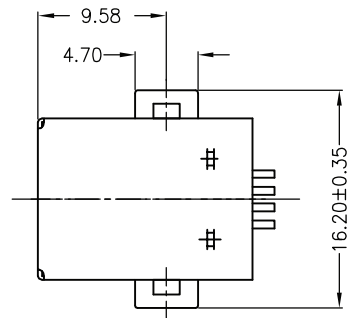
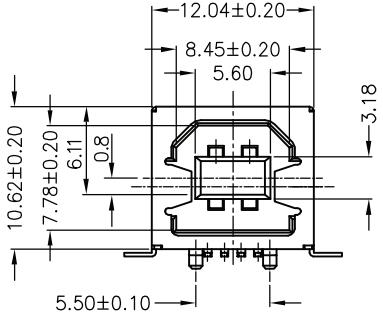
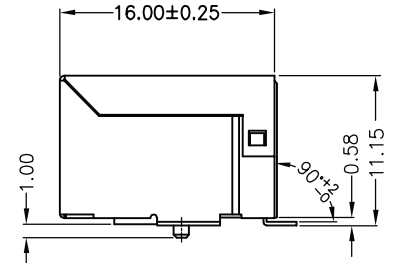
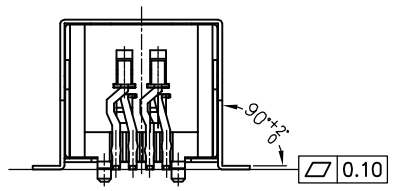
ENVIRONMENTAL
 OPERATING TEMPERATURE: -40 UP TO 105°C
 COMPLIANCE: LEAD FREE AND ROHS

ELECTRICAL
 CURRENT RATING: 1.5 A Max
 WORKING VOLTAGE: 30 V
 INSULATOR RESISTANCE: >1000 MOHM
 DIELECTRIC WITHSTANDING VOLTAGE: 750 VAC/MN
 CONTACT RESISTANCE: 20 mOHM MAX

STANDARD
 CERTIFIED: E323964

SOLDERING
 JEDEC LEAD FREE REFLOW PROCESS ONLY

PACKAGING
 TAPE & REEL



| | | | |
|----------------|-----------|----------------|----|
| RoHS Compliant | | | |
| N | 08-MAR-17 | UPDATE | AK |
| M | 02-JAN-17 | PCN | AK |
| L | 18-FEB-13 | DESIGNATION | AR |
| K | 18-JUN-12 | MATERIAL | GG |
| J | 08-NOV-11 | CURRENT RATING | GG |
| I | 22-JUN-11 | CURRENT RATING | GG |
| H | 29-APR-11 | PACKAGING | GG |
| REV | DATE | FILE | BY |

| | |
|---------------|--|
| PROJECTION: | |
| APPROVAL: NPr | |
| UNIT: MM | |
| SCALE: | |

| |
|-------------------|
| GENERAL TOLERANCE |
| .X = +/- 0.2 |
| .XX = +/- 0.15 |
| SHEET: 1/3 |
| DRAW: MIKE |

| |
|--|
| DESCRIPTION: USB 2.0 TYPE B FEMALE RIGHT ANGLE SMD |
| WERI PART NO: 629 104 161 21 |

DESCRIPTION: USB 2.0 TYPE B FEMALE RIGHT ANGLE SMD
 WERI PART NO: 629 104 161 21

SIZE
A4

A

B

C

D

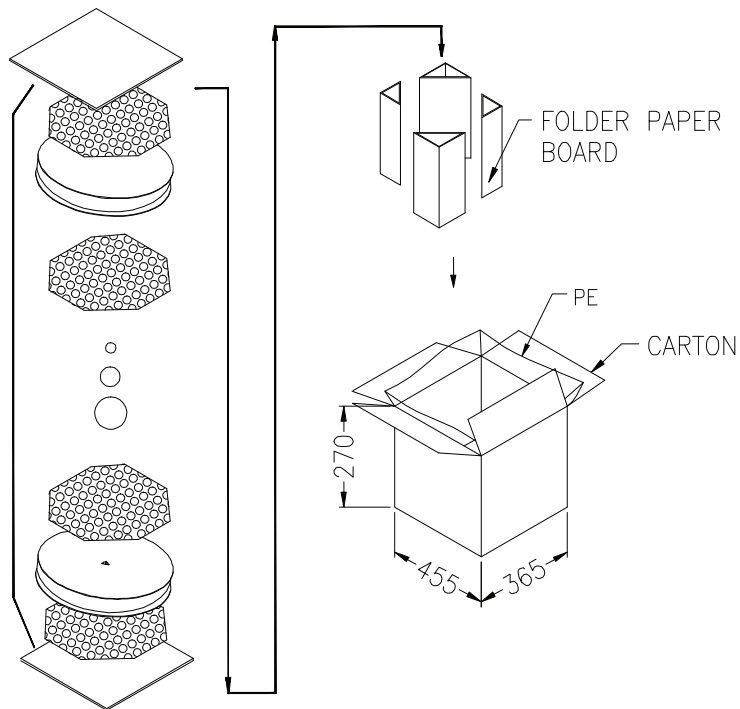
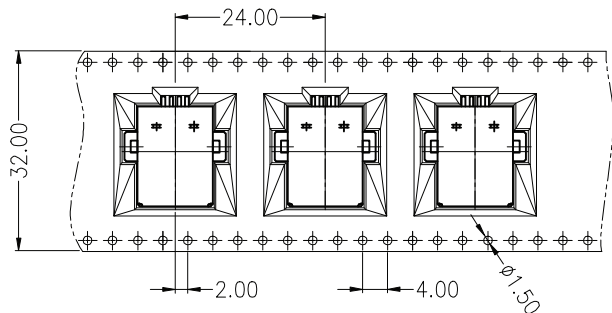
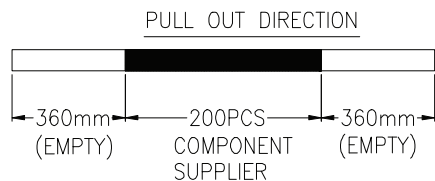
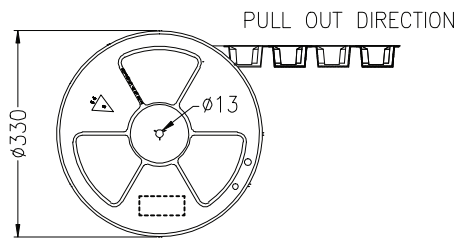
1

2

3

4

5



200 pcs/reel
6 reels/carton
1200 pcs/carton

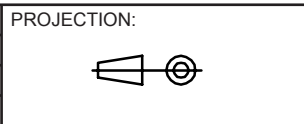
A

B

C

D

| | | | |
|----------------|------|------|----|
| RoHS Compliant | | | |
| G | | | |
| F | | | |
| E | | | |
| D | | | |
| C | | | |
| B | | | |
| A | | | |
| REV | DATE | FILE | BY |



GENERAL TOLERANCE

.X = +/- 0.2

.XX = +/- 0.15



APPROVAL: NPr

UNIT: MM

SCALE:

SHEET: 2/3

DRAW: MIKE

DESCRIPTION: USB 2.0 TYPE B FEMALE RIGHT ANGLE SMD

WERI PART NO: 629 104 161 21

SIZE

A4

1

2

3

4

5

Cautions and Warnings:

This electronic component is designed and developed with the intention for use in general electronics equipments.

Before incorporating the components into any equipments in the field such as aerospace, aviation, nuclear control, submarine, transportation, (automotive control, train control, ship control), transportation signal, disaster prevention, medical, public information network etc. where higher safety and reliability are especially required or if there is possibility of direct damage or injury to human body, Würth Elektronik must be asked for a written approval.

In addition, even electronic component in general electronic equipments, when used in electrical circuits that require high safety, reliability functions or performance, the sufficient reliability evaluation-check for the safety must be performed before by the user before usage.

A

B

C

RoHS Compliant

| | | | | | | | |
|-----|-----------|------|----|--|---|---|-------------------|
| G | | | | PROJECTION:  | GENERAL TOLERANCE .X = +/- 0.2 .XX = +/- 0.15 |  | |
| F | | | | | | | |
| E | | | | | | | |
| D | | | | | | | |
| C | | | | APPROVAL: JC | UNIT: MM | DESCRIPTION: DISCLAIMER | SIZE A4 |
| B | | | | | SCALE: | | |
| A | 10-SEP-14 | PDF | QL | | SHEET: 3/3 | WERI PART NO: DISCLAIMER | |
| REV | DATE | FILE | BY | | DRAW: QL | | |

D