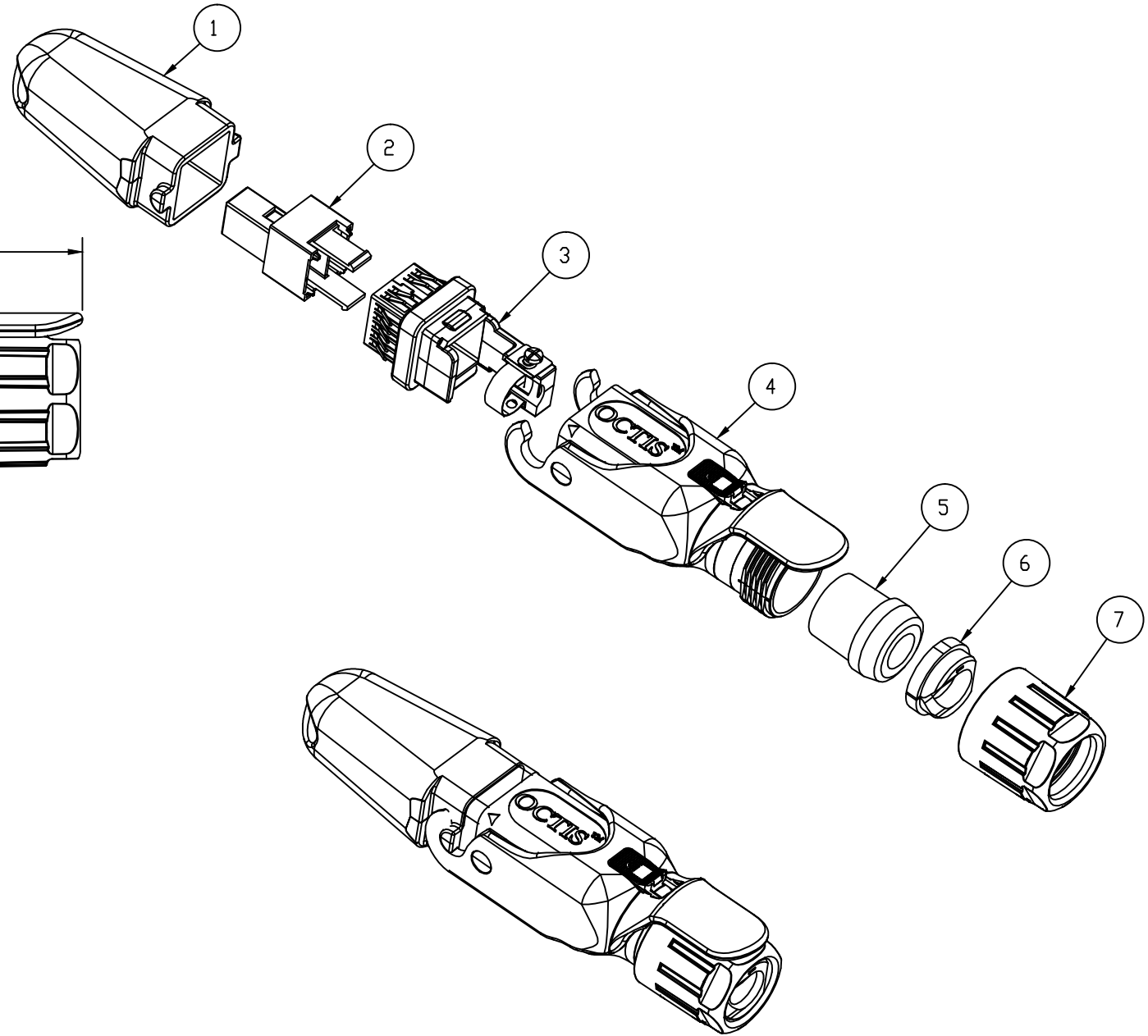
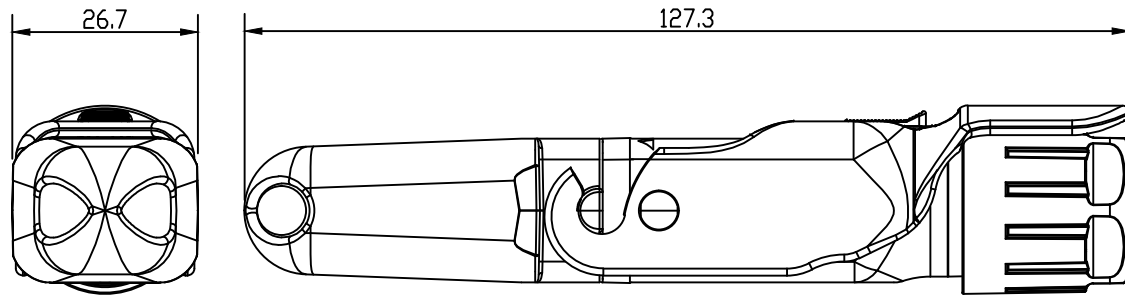


PLUG KIT PART NUMBER  
10135750-101LF

OCTIS PLUG KIT, PoE, FIELD TERMINABLE, PITCH 26 MM



SL NO.	COMPONENT	MATERIAL	REMARKS
1	PLUG CAP	PBT GF	-
2	CABLE CONNECTOR-PoE	-	-
3	HOLDER SUBSET KIT	ZAMAK	PASSIVATED
4	HOUSING SUBSET KIT	PBT GF	-
5	RUBBER GLAND	NBR	-
6	TIGHTENING CONE	PA	-
7	GLAND NUT	PBT GF	COLOUR - YELLOW

Amphenol  
FCI

© 2016 AFCI



mat'l. code		surface 58	tolerance	projection	product family
		ISO 1302	ISO 406 ISO 1101		OCTIS
ltr	ecn no	dr	date	title	
A	-	SAL	2015-09-18	OCTIS PLUG KIT, PoE	
B	ELX-I-22293	SAL	2015-10-26	FIELD TERMINABLE, PITCH 26 MM	
C	ELX-I-23480	SAL	2016-03-05	scale 1:1	
D	ELX-I-24026	SAL	2016-05-04	Amphenol FCI	dwg no 10135750 sheet 1 of 1 size A3
sheet index		revision	D	type Product Customer Drawing	
1		sheet	1		