

# TECHNICAL CHARACTERISTICS

## SPECIFICATION

**Material:**

- > **Housing:** LCP + 30% GF UL94V0, color White
- > **Contact:** Phosphor Bronze 0,15 Thickness  
Gold 1μ plated over Ni 50μ min.
- > **Terminal:** Phosphor Bronze 0,15 Thickness  
Gold 1μ plated over Ni 50μ min.
- > **Tape:** Polyimide tape

**Current Rating:**

> 2A (AC/DC)

**Voltage Rating:**

> 500V (AC/DC)

**Contact Resistance:** < 30 mOHM

**Insulation Resistance:**

> 500 MOHM

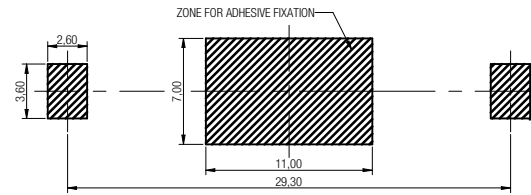
**Temperature Range:**

> -55°C ~ +85°C

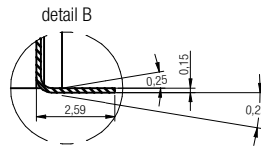
**Humidity:**

> 40°C and 90 ~ 95% RH for 96 hours

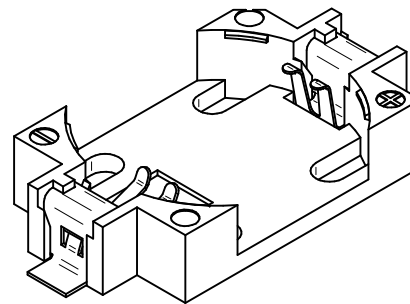
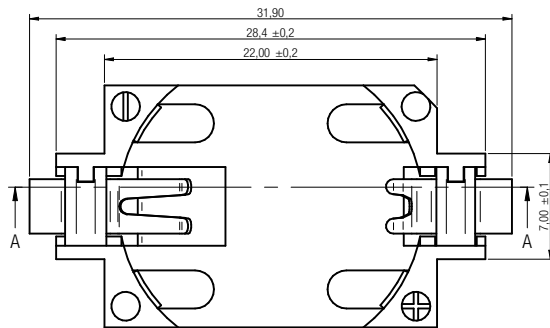
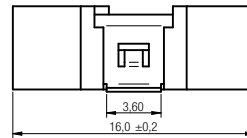
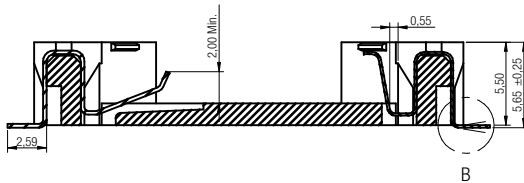
**RoHS Compliant**



PCB MOUNTING LAYOUT



sectional drawing A-A



Scale - 2:1

		Projection		GENERAL TOLERANCE .x = +/- 0,2 .xx = +/- 0,15		Basic material					
				Date	Name	DESCRIPTION BattHold					
				Drawn	13-08-02	Fandrey	Battery Holder				
				Checked							
							Scale	2:1	Position		SIZE
							Drawing.- No. 79527141				
							A4				
REV	FILE	DATE	BY	EDV NO	79527141.dft		System: Solid Edge V20				