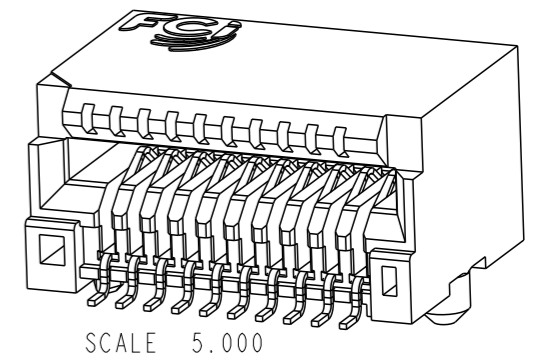
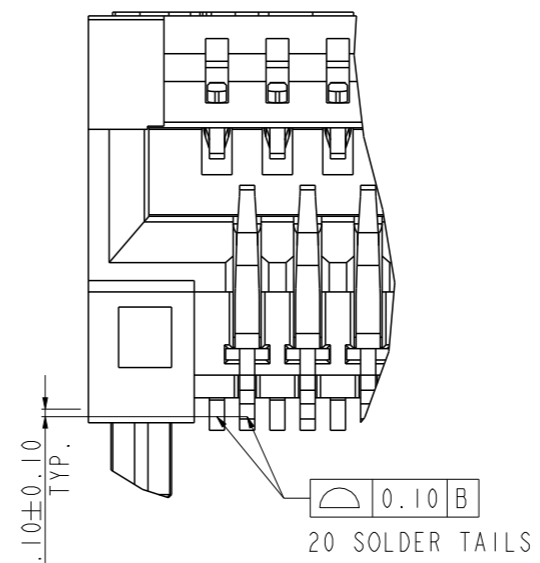
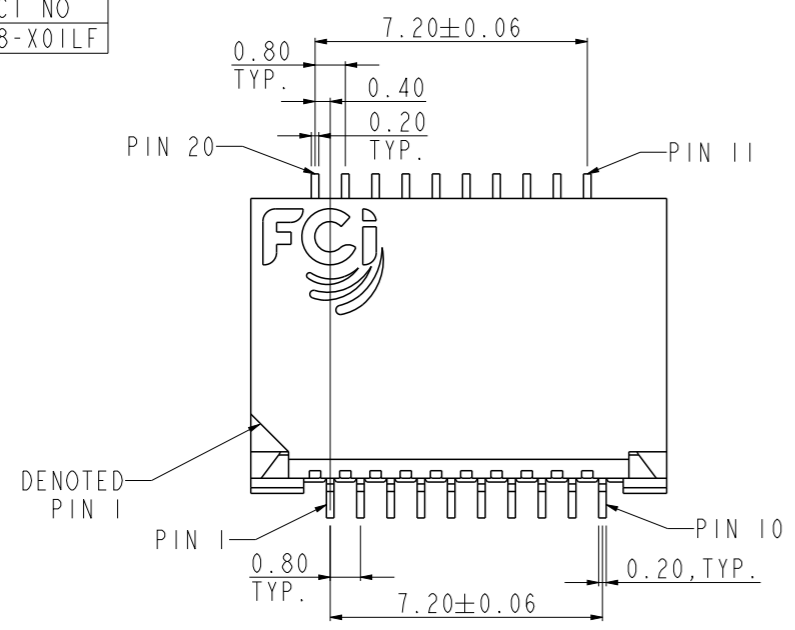
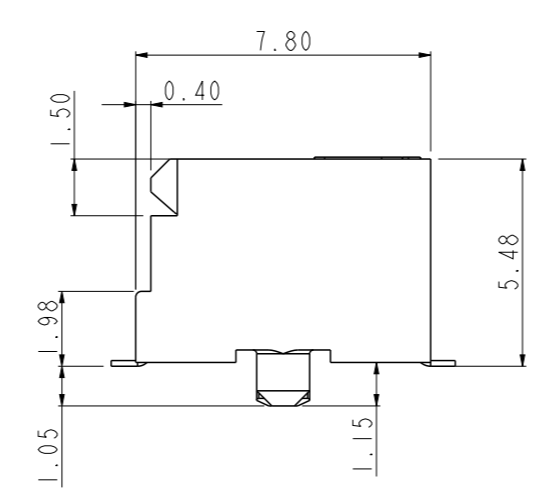
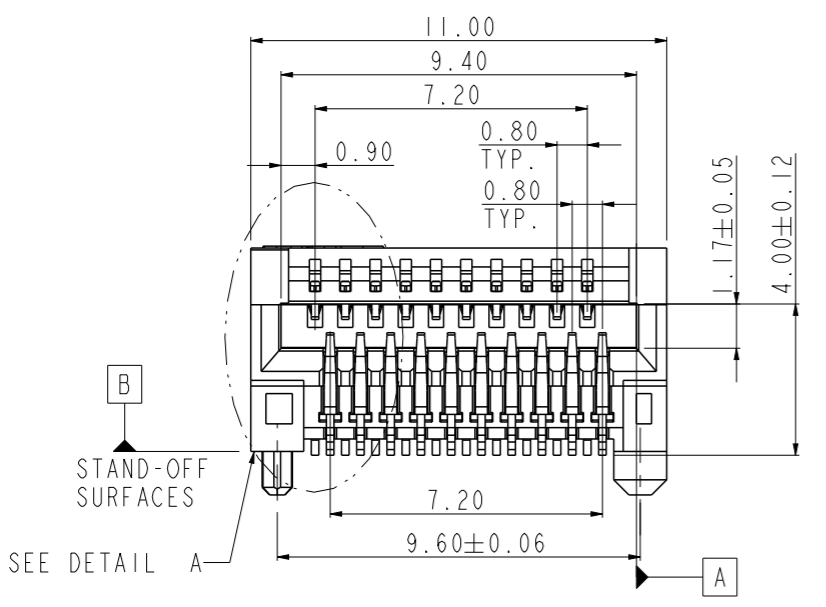


PRODUCT NO
10120578-X01LF

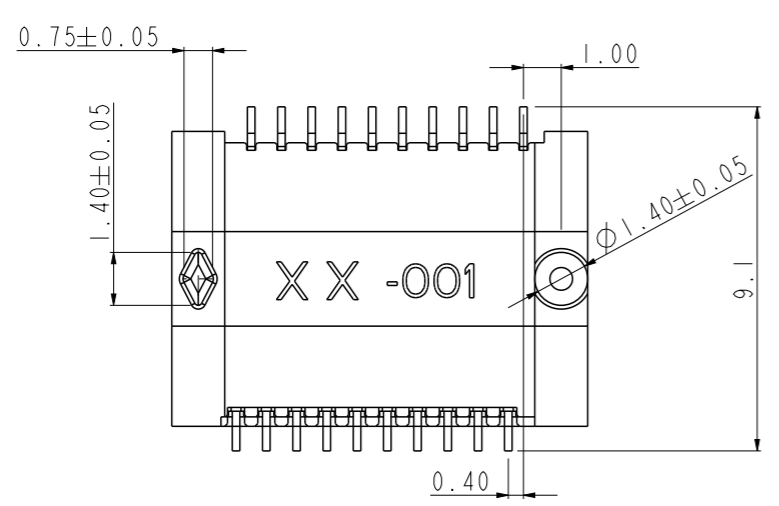


DETAIL A
SCALE 10.000



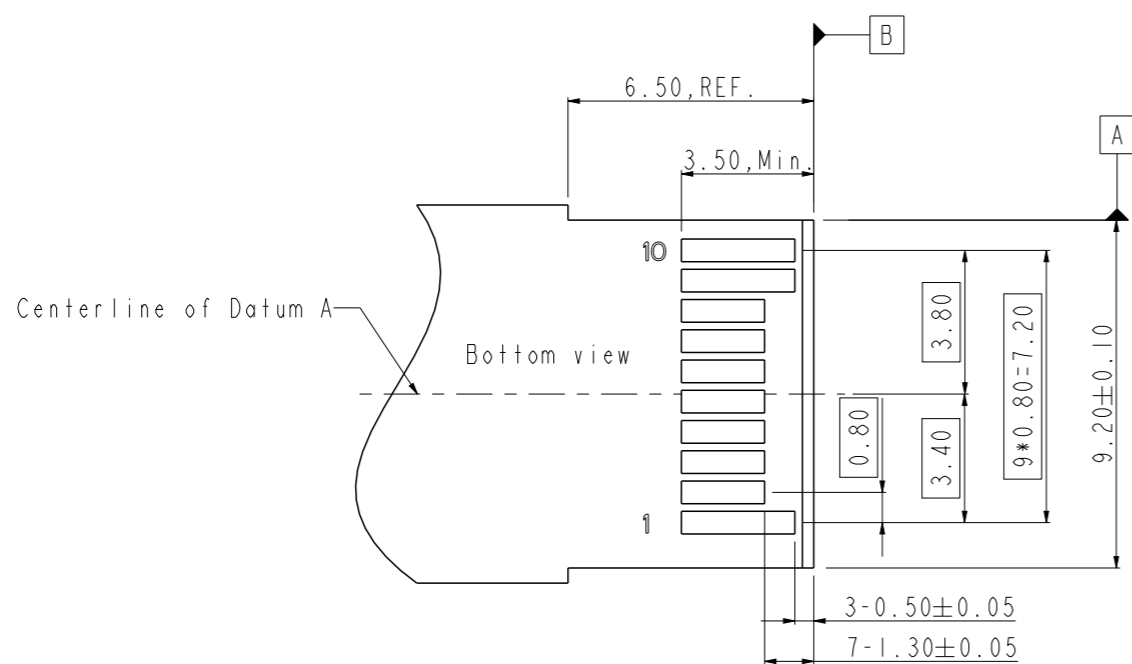
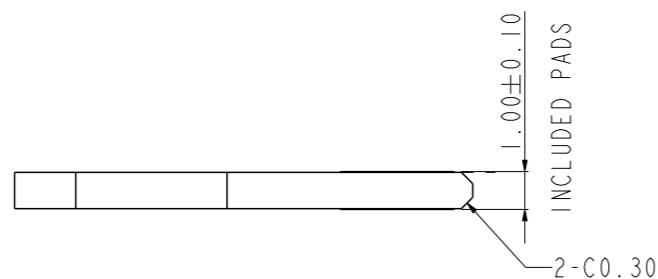
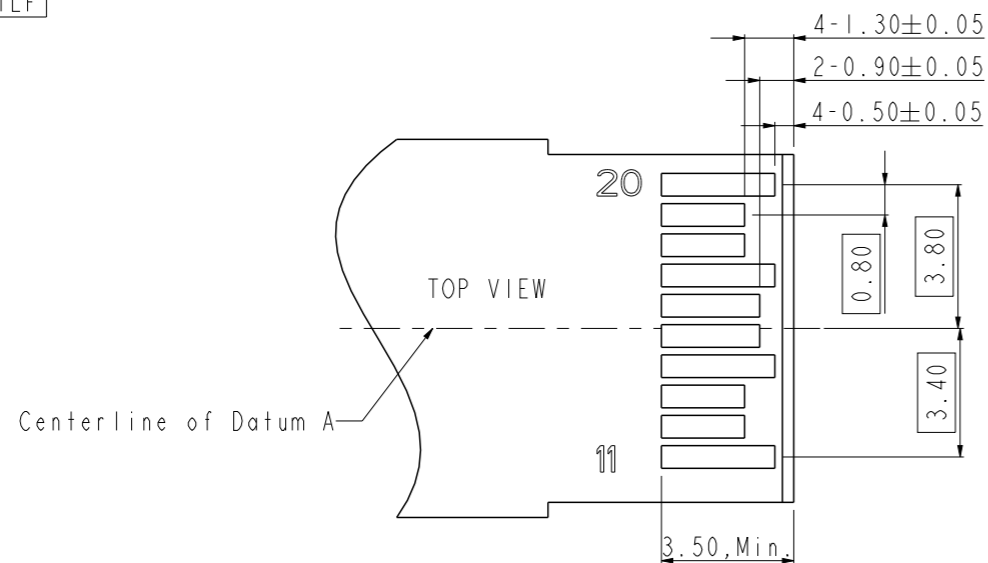
- NOTE:
- Material:
 - HOUSING: HIGH TEMPERATURE LCP, BLACK
UL 94 V-0 FLAME RETARDANT.
 - TERMINAL: NICKEL COPPER ALLOY.
PLATING SPEC AS BELOW:
FOR CONTACT AREA:
-101LF FOR 0.76 MICROMETERS MIN. THICKNESS GXT.
-201LF FOR 0.38 MICROMETERS MIN. THICKNESS GOLD.
-301LF FOR 0.76 MICROMETERS MIN. THICKNESS GOLD..
 - FOR SOLDER AREA:
MATTE PURE TIN 3 MICROMETERS MIN.
 - FOR UNDERPLATING:
2.54 MICROMETERS MIN. THICKNESS NICKEL
 - PACKING SPEC. GS-14-1030.
 - PRODUCT SPEC. GS-12-557.
 - PART NUMBER SCHEME: (EX. 10120578-X01LF),
PLEASE FIND THE PAGE 2 FOR OPTIONS.
 - LEAD FREE NOTES:
 - 5a. THE HOUSING WILL WITHSTAND EXPOSURE TO 260° C PEAK TEMPERATURE FOR 10 SECONDS IN A CONVECTION, INFRA-RED OR VAPOR PHASE REFLOW OVEN.
 - 5b. THIS PRODUCT MEETS EUROPEAN UNION DIRECTIVES AND OTHER COUNTRY REGULATIONS AS DESCRIBED IN GS-22-008.
 - THIS CONNECTOR IS DESIGNED TO WORK WITH RAIL SYSTEM THAT ALLOW THE MODULE TO "FLOAT" IN THE VERTICAL PLANE AND FIND EQUILIBRIUM BETWEEN THE UPPER AND LOWER CONTACT ROWS. THIS CONNECTOR WILL NOT PERFORM PROPERLY IF USED IN SYSTEMS THAT MECHANICALLY BIAS THE MODULE IN THE VERTICAL PLANE SUCH AS RAIL SYSTEMS WITH EMI SPRINGS.

Copyright FCI.



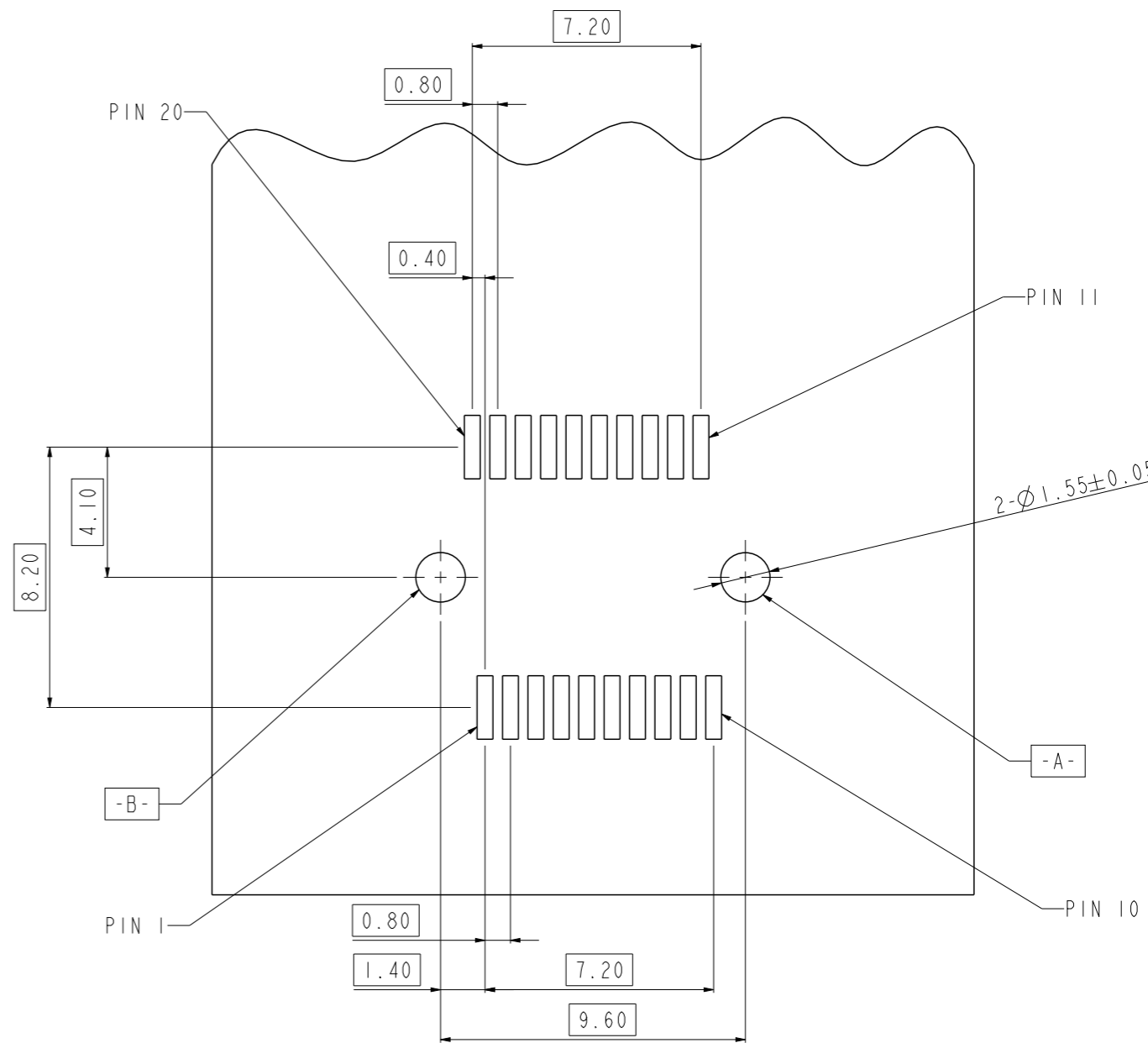
| | | | | | | | | | | |
|---------------------------------------|---------------------|------|----------------|------------|---------------------------------------|----|--------|----------|-----------|----------|
| spec ref | * | dr | De-Feng, Qin | 2012/03/26 | projection | MM | size | A3 | scale | 5.000 |
| tolerance std | ISO 406 ISO 1101 | eng | De-Feng, Qin | 2012/03/26 | | | ecn no | - | rel level | Released |
| TOLERANCES UNLESS OTHERWISE SPECIFIED | | chr | Terry Qiu | 2012/03/27 | | | | | | |
| surface | ISO 1302 | appr | Pei-Ming Zheng | 2012/03/27 | product family | | | | | |
| | linear | 0.X | ±0.50 | | 20 POS. EDGE CARD | | dwg no | 10120578 | rev | A |
| | | 0.XX | ±0.25 | | RIGHT ANGLE TYPE, EDGE CARD CONNECTOR | | | | | |
| | angular | 0° | ±2° | | cat. no. | * | | | | |

PRODUCT NO
10120578-X01LF



RECOMMENDED LAYOUT
MATING PCB SIDE

| PART NUMBER | TERMINALS (Contact plating options) | TERMINALS (Underplating and Solder tail plating) | REMARK |
|----------------|--|---|--------|
| 10120578-101LF | 0.76um, Min.GXT | Underplating:2.54um Min. Nickel overall. Solder tail: 3um Min. Matte Tin. | |
| 10120578-201LF | 0.38um, Min. Gold | Underplating:2.54um Min. Nickel overall. Solder tail: 3um Min. Matte Tin. | |
| 10120578-301LF | 0.76um, Min.Gold | Underplating:2.54um Min. Nickel overall. Solder tail: 3um Min. Matte Tin. | |



RECOMMENDED PCB LAYOUT
CONNECTOR MOUNTING SIDE

| | | | | | | | | | | |
|---------------|--|-------------|----------------|------------|------------|------------------------|---|--------------------|-----------|----------|
| spec ref | * | dr | De-Feng, Qin | 2012/03/26 | projection | MM | size | A3 | scale | 5.000 |
| tolerance std | ISO 406 ISO 1101 | eng | De-Feng, Qin | 2012/03/26 | | | ecn no | - | rel level | Released |
| surface | ISO 1302 | chr | Terry Qiu | 2012/03/27 | | | product family | | | |
| linear | 0.X ±0.25 0.XX ±0.13 0.XXX ±0.05 | appr | Pei-Ming Zheng | 2012/03/27 | | | title 20 POS. EDGE CARD RIGHT ANGLE TYPE, EDGE CARD CONNECTOR | dwg no 10120578 | rev A | |
| angular | 0° ±2° | www.fci.com | | cat. no. | * | Product - Customer Drw | sheet 2 of 2 | | | |



Copyright FCI.