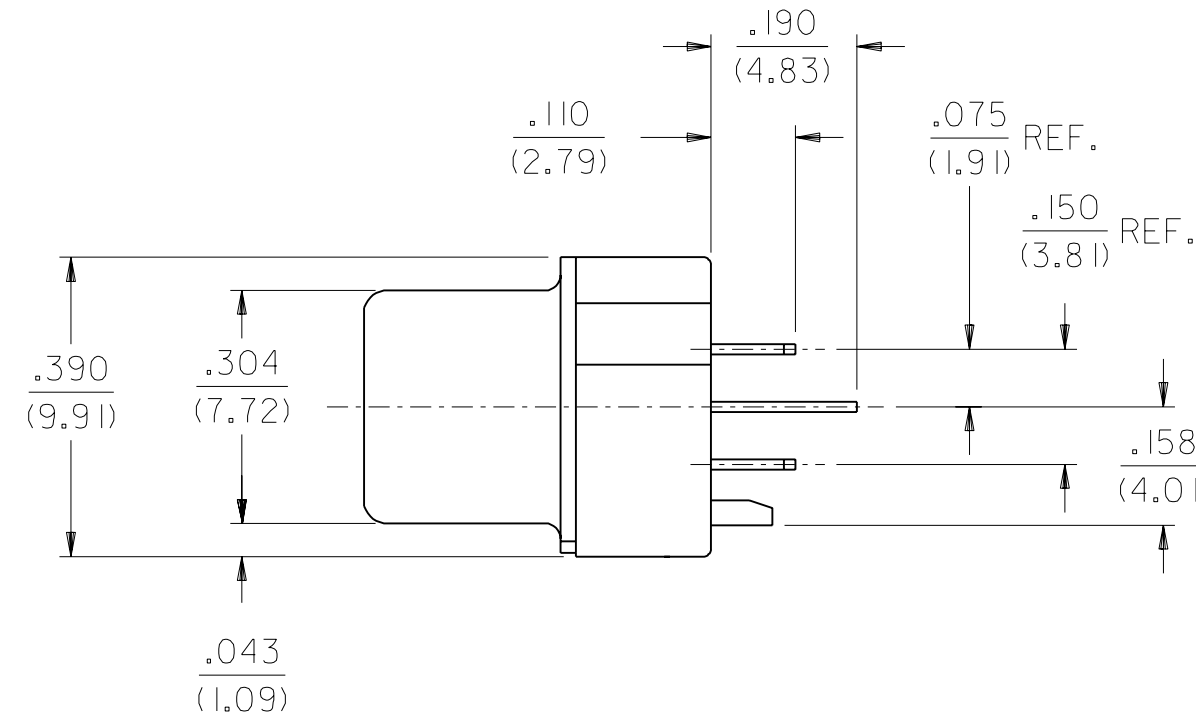
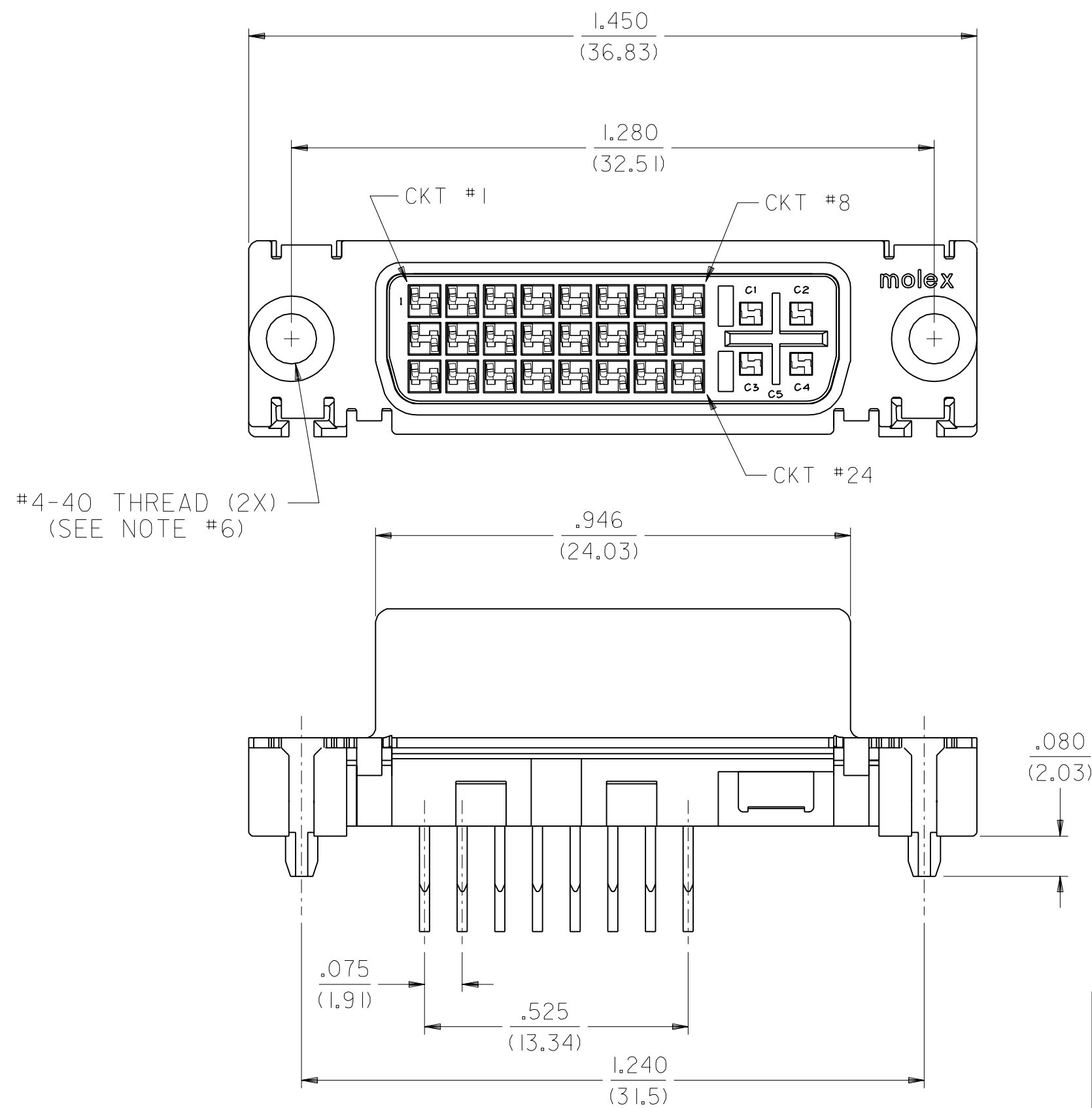
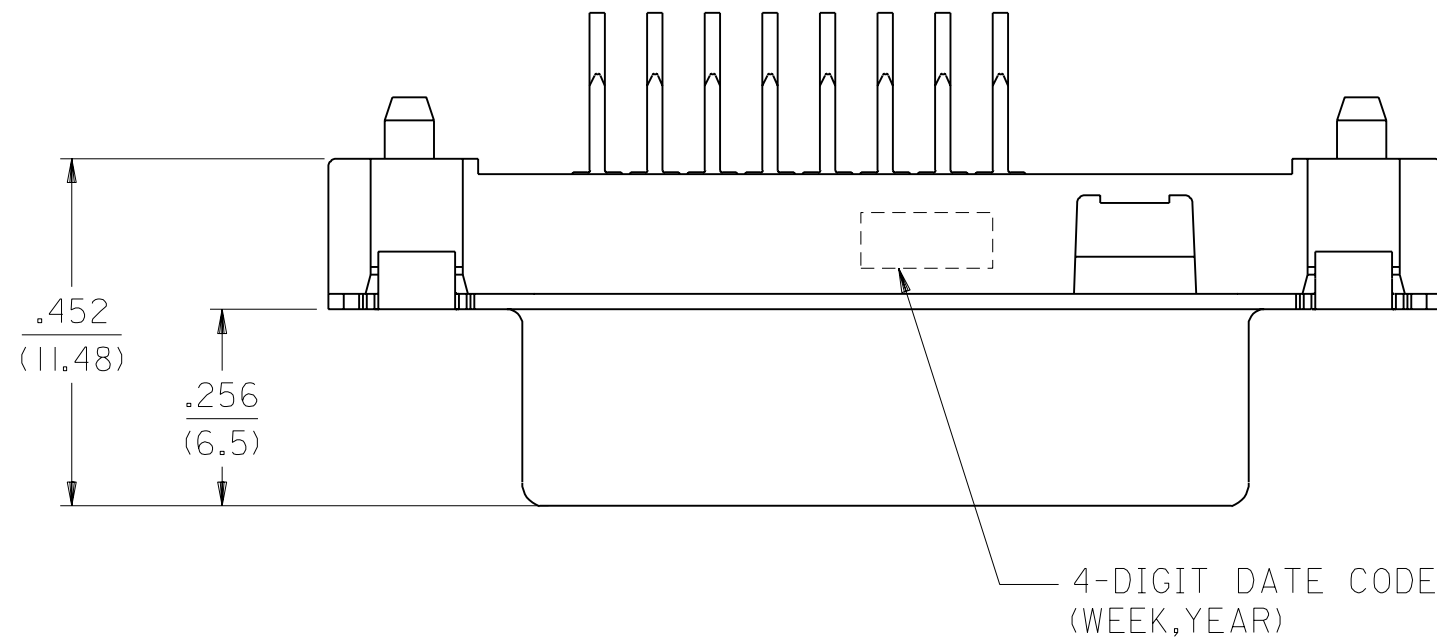


NOTES:

1. MATERIALS: SHIELD -- DEEP DRAW STEEL.  
HOUSING -- GLASS FILLED POLYMER, NATURAL (WHITE), UL 94v-0.  
CONTACTS -- COPPER ALLOY.  
MICROCROSS GROUND -- COPPER ALLOY.
2. PLATING: OUTER SHIELD -- 150u"/(3.75um) MIN. BRIGHT TIN OVER  
50u"/(1.27um) MIN. NICKEL OVER COPPER FLASH.  
.075"/(1.91mm) CONTACTS -- SELECT GOLD FLASH AND  
100u"/(2.50um) MIN. SELECT PURE TIN  
OVER 50u"/(1.27um) MIN. NICKEL OVERALL.
3. PRODUCT CONFORMS TO MOLEX PRODUCT SPECIFICATION NUMBER PS-74320-001.
4. PARTS WILL BE PACKAGED IN TRAYS PER PK-74320-010.
5. PRODUCT CONFORMS TO DDWG DVI SPECIFICATION. REFER TO THIS SPECIFICATION FOR CONNECTOR MATING DIMENSIONS.
6. REFER TO PRODUCT SPECIFICATION NUMBER PS-74320-001 FOR THE APPLICATION TORQUE REQUIREMENT.



MODIFICATION EC NO. SH2004-0130 DRWN: DXUE 04/03/05 CHK: HARVEY 04/03/11 APPR: SHUANG 04/03/12	QUALITY SYMBOLS	GENERAL TOLERANCES: (UNLESS SPECIFIED)		SCALE 4 : 1	DESIGN UNITS <input type="checkbox"/> mm <input checked="" type="checkbox"/> INCH	THIRD ANGLE PROJECTION	DIMENSIONS: <input type="checkbox"/> mm ONLY <input checked="" type="checkbox"/> INCH ONLY	SHT	REV
	MAJOR $\nabla=0$	4 PLACES	±0.	±.	DRAWN BY & DATE TMCCLELL 00/01/19	TITLE: DVI-A VERTICAL RECEPTACLE FOR DIGITAL ADAPTER ASSEMBLY	<input type="checkbox"/> mm ONLY <input checked="" type="checkbox"/> INCH ONLY	REVISE ON CAD ONLY	MOLEX INCORPORATED MATERIAL NO. 74320-6500 DRAWING NO. SD-74320-022 SHEET NO. 1 OF 1
	CRITICAL $\nabla_c=0$	3 PLACES	±0.	±.010	CHECKED BY & DATE SCHMIDGA 00/01/19				
		2 PLACES	±0.25	±.010	APPROVED BY & DATE RNELSON 00/01/19				
		1 PLACE	±0.25	±.010	CAD FILENAME SD74320022.S01				
	REV	ANGULAR: ± 1/2°		DRAFT WHERE APPLICABLE MUST REMAIN WITHIN DIMENSIONS		THIS DRAWING CONTAINS INFORMATION THAT IS PROPRIETARY TO MOLEX INCORPORATED AND SHOULD NOT BE USED WITHOUT WRITTEN PERMISSION.			