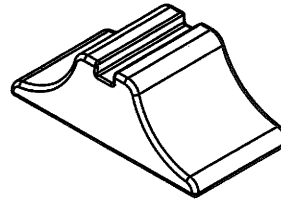
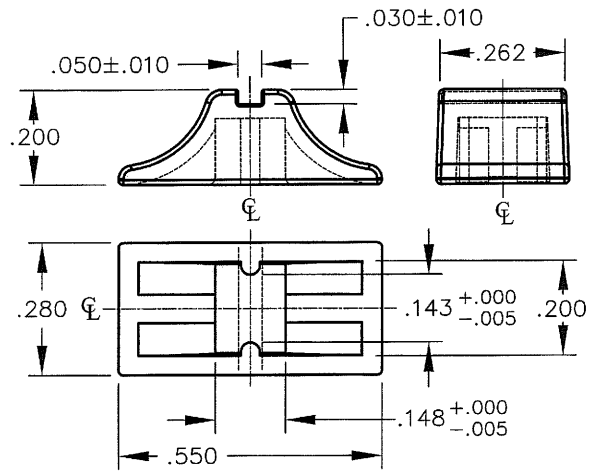


DIMENSIONS IN INCHES (MILLIMETERS)
DO NOT SCALE DRAWING

Dwg. No.
G-02-353-001



Material:
Nylon 6/6

Color:
Black BK-000

(For More Detailed Spec's Ref. Dwg. G-02-353)

1	2	3	4	5	6	7	8	9	10
B-FORMAT 2002 REVISIONS 0 RELEASED DGW 8-05-2008 AUG 13 2008							CW INDUSTRIES Southampton, Pa. 18966		Title: G-107 SWITCH BUTTON TOPPER
							TOLERANCES UNLESS OTHERWISE SPECIFIED 3 Place Decimal ±.015 METRIC Angles ±1° 2 Place Dec. ±.38mm		Division: SWITCH
							Made for: CW IND.		Dwg. No. G-02-353-001
							Drawn by: DGW 8-05-2008 Checked by: G. Guld 8-15-08 Approval: G. Guld 8-15-08		PDF FILE MADE

MASTER