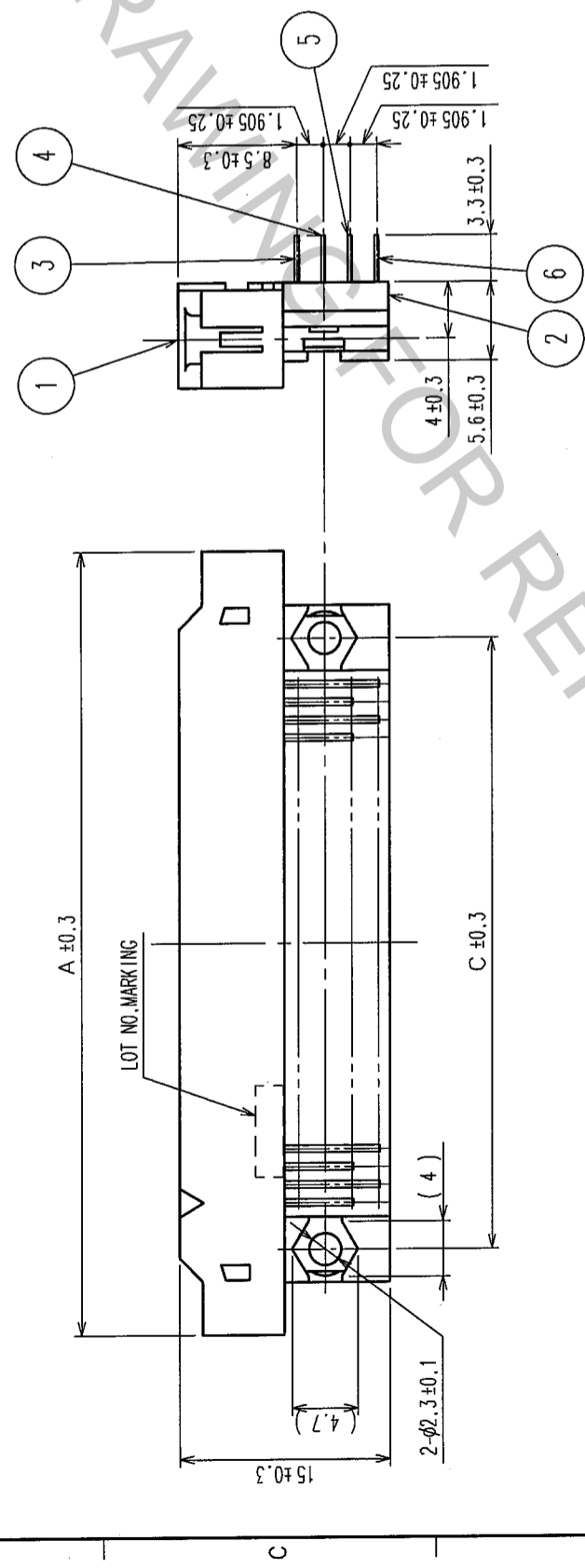
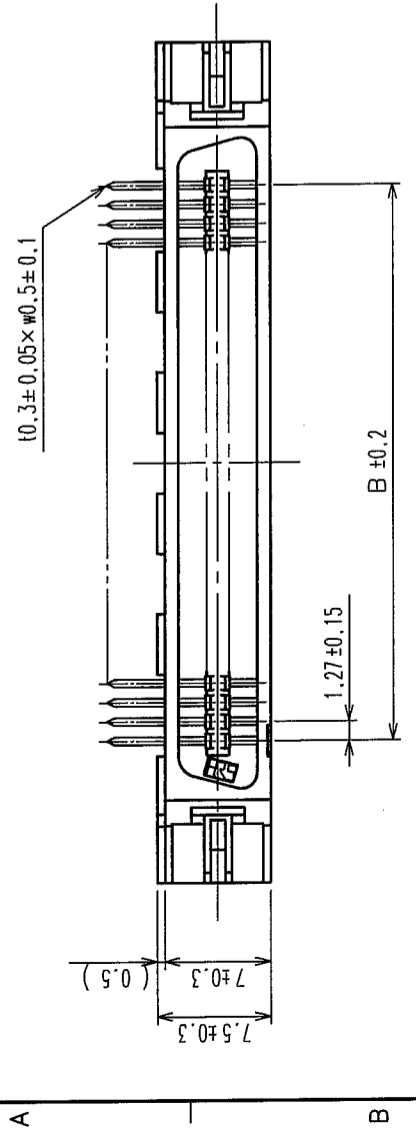


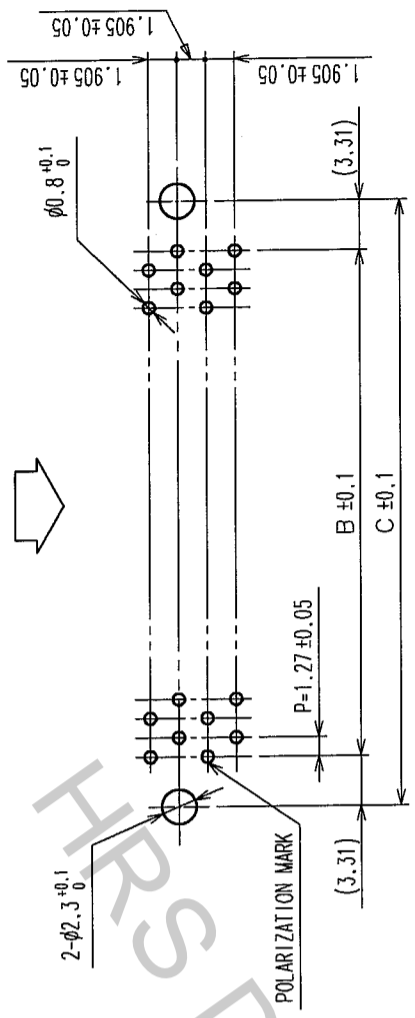
COUNT	DESCRIPTION OF REVISIONS	BY	CHKD	DATE	COUNT	DESCRIPTION OF REVISIONS	BY	CHKD	DATE

A B C D E F

RECOMMEND PC BOARD HOLE PATTERN ( MOUNTING SIDE )



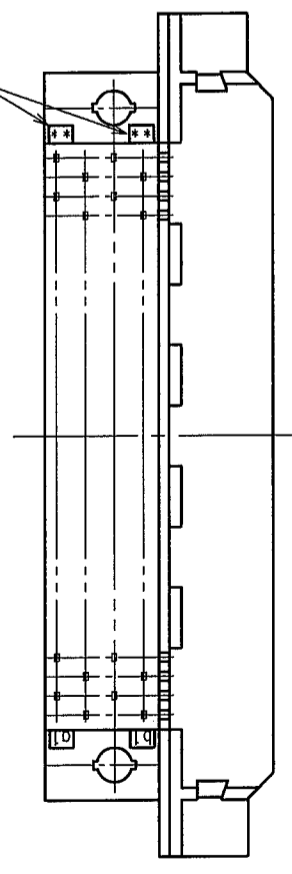
MATING SIDE



PART No.	CODE No.	A	B	C	D
FX2B-20PA-1.27DS(71)	CL572-0721-7-71	20	30.33	11.43	18.05
FX2B-32PA-1.27DS(71)	CL572-0722-0-71	32	37.95	19.05	25.67
FX2B-40PA-1.27DS(71)	CL572-0723-2-71	40	43.03	24.13	30.75
FX2B-52PA-1.27DS(71)	CL572-0724-5-71	52	50.65	31.75	38.37
FX2B-60PA-1.27DS(71)	CL572-0725-8-71	60	55.73	36.83	43.45
FX2B-68PA-1.27DS(71)	CL572-0726-0-71	68	60.81	41.91	48.53
FX2B-80PA-1.27DS(71)	CL572-0727-3-71	80	68.43	49.53	56.15
FX2B-100PA-1.27DS(71)	CL572-0728-6-71	100	81.13	62.23	68.85

NOTES  
 1 STANDOFF DIFFERS ACCORDING TO PRODUCTS.  
 2 NUMBER OF PIN.  
 3. THE DIMENSIONS IN PARENTHESES ARE FOR REFERENCE.

D (INDICATIONS)



NO.	MATERIAL	FINISH	REMARKS	NO.	MATERIAL	FINISH	REMARKS
1, 2	POLYAMIDE	BLACK	UL94V-0	3~6	BRASS		
CONTACT AREA: GOLD FLASH		DIP AREA: TIN-PLATING 2μm min		UNDER PLATING: NICKEL 1μm min		FINISH, REMARKS	

CODE NO. (OLD)	CL	DESIGNED	CHECKED	APPROVED	RELEASED
04.06.02		I.OKAYAMA	H.OKAWA	H.OKAWA	

DRAWING NO.	PART NO.
EDC3-153963-21	FX2B-※PA-1.27DS(71)

SCALE	UNITS	CODE NO.
FREE	mm	CL572