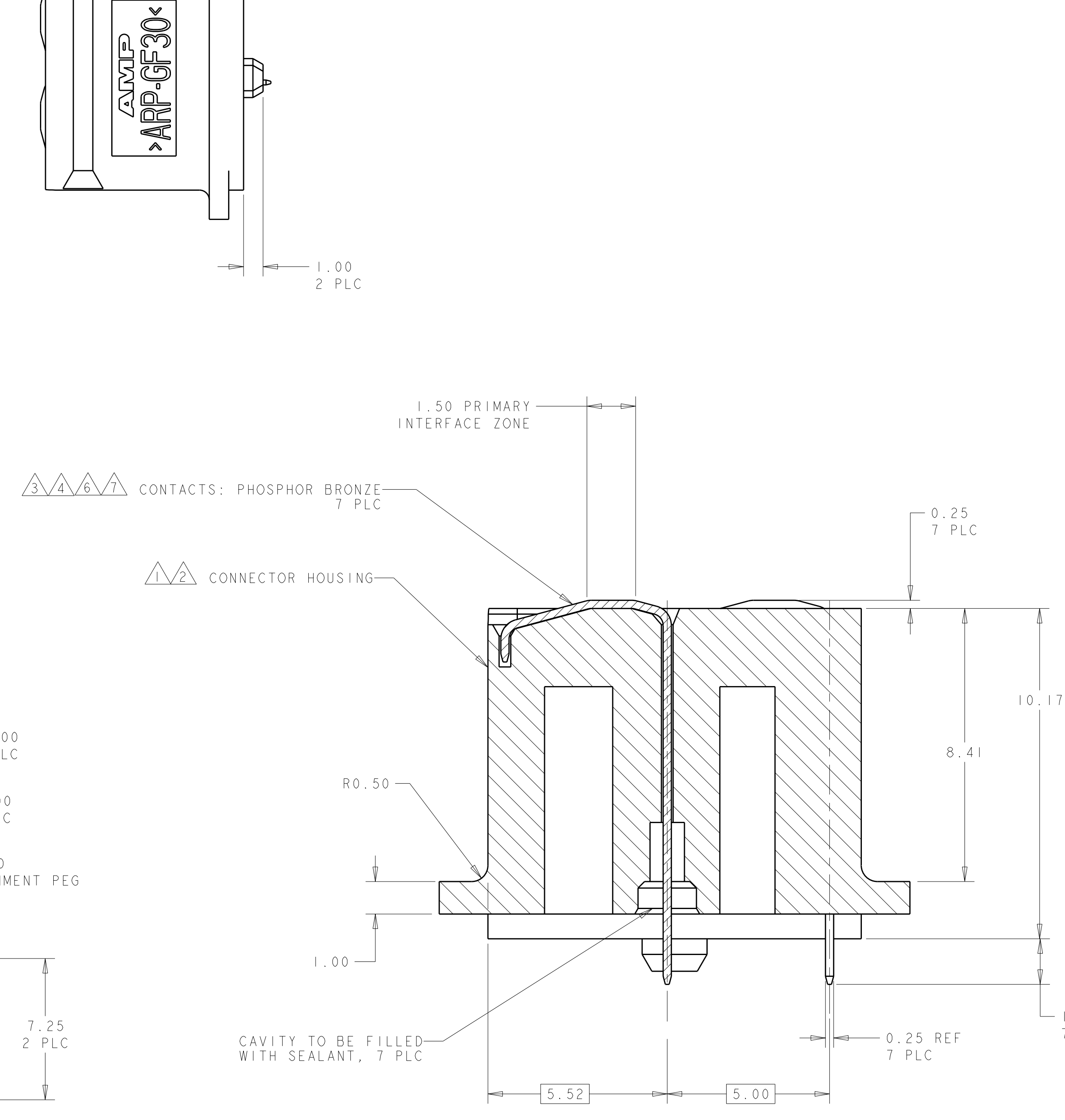
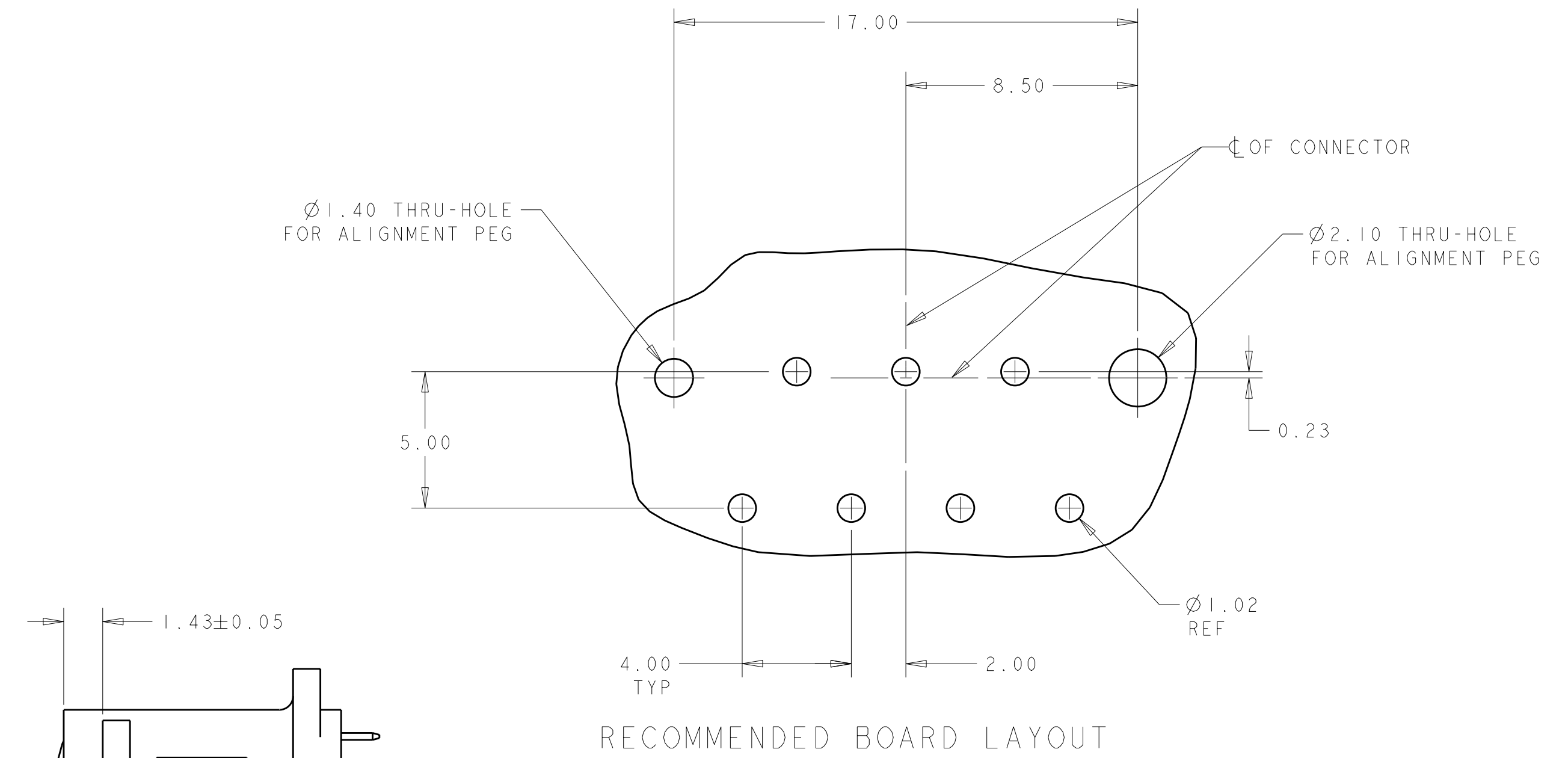
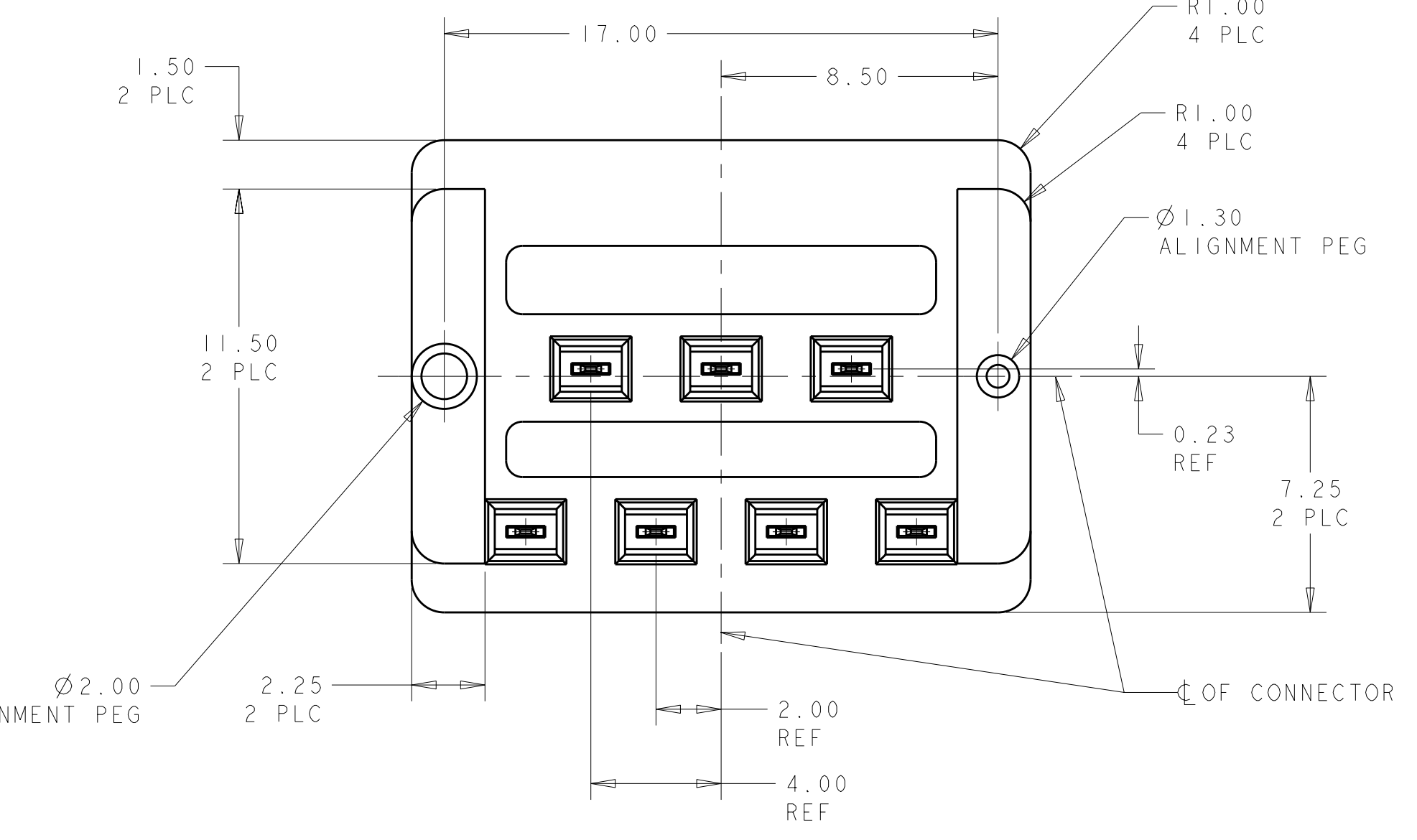
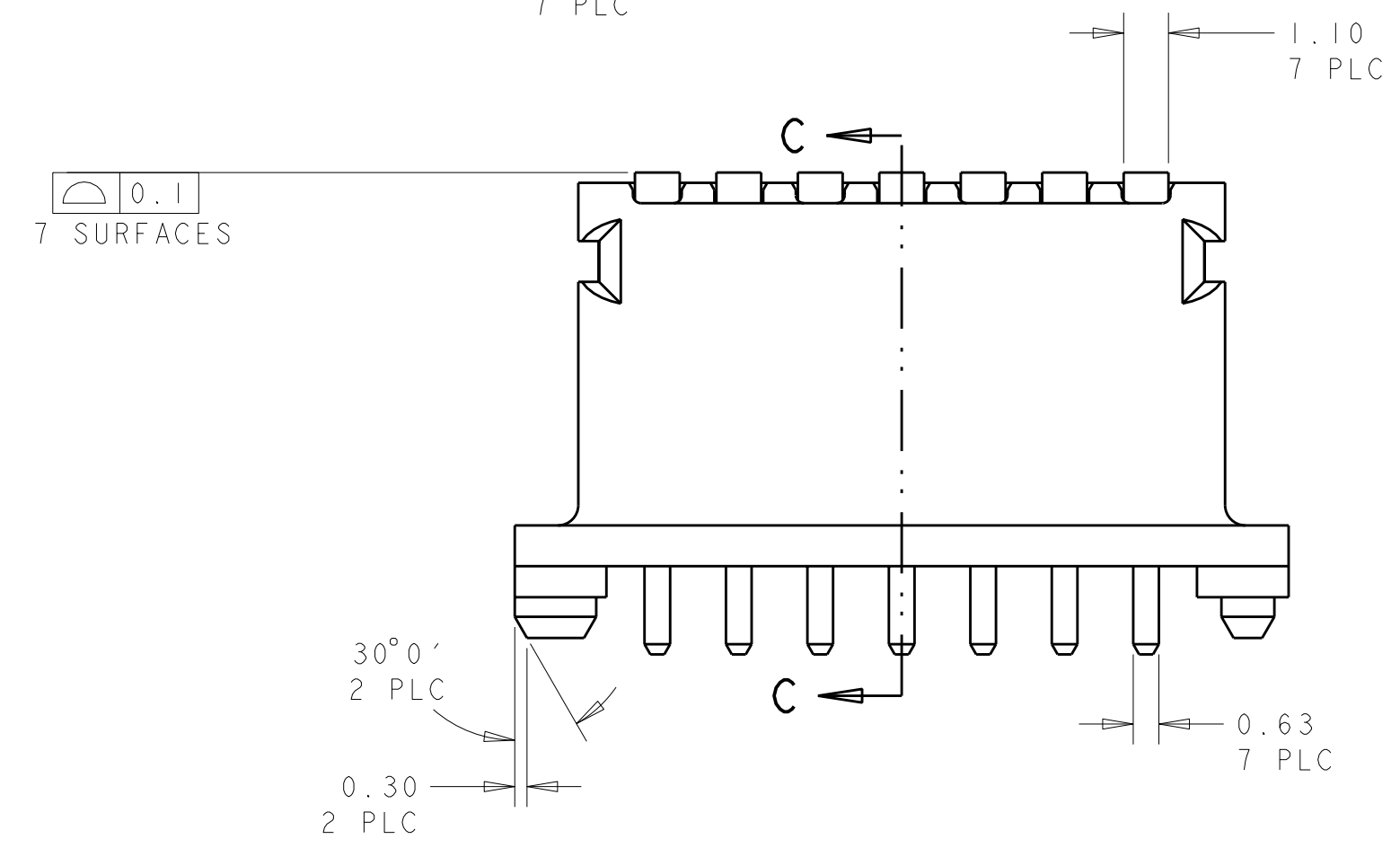
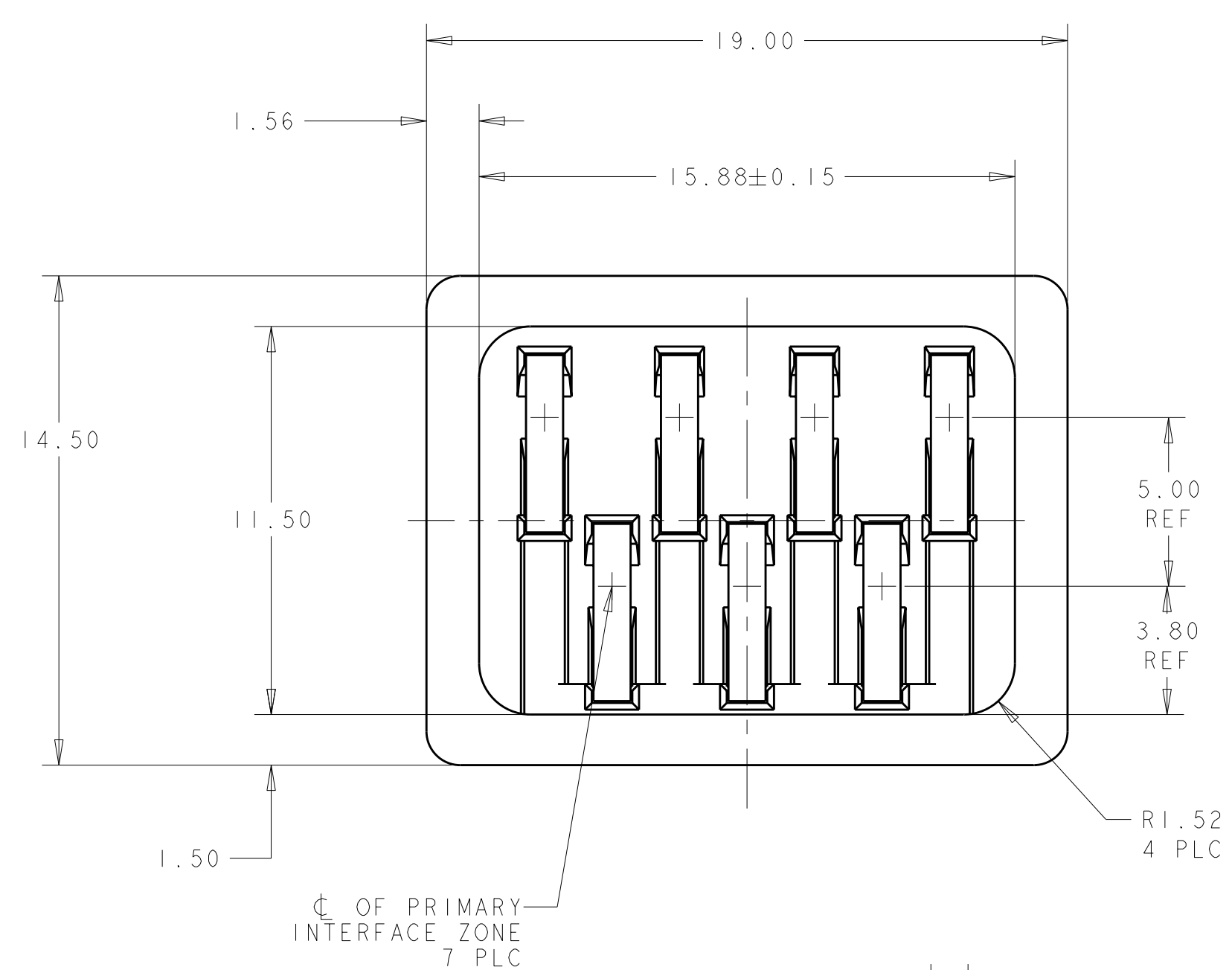
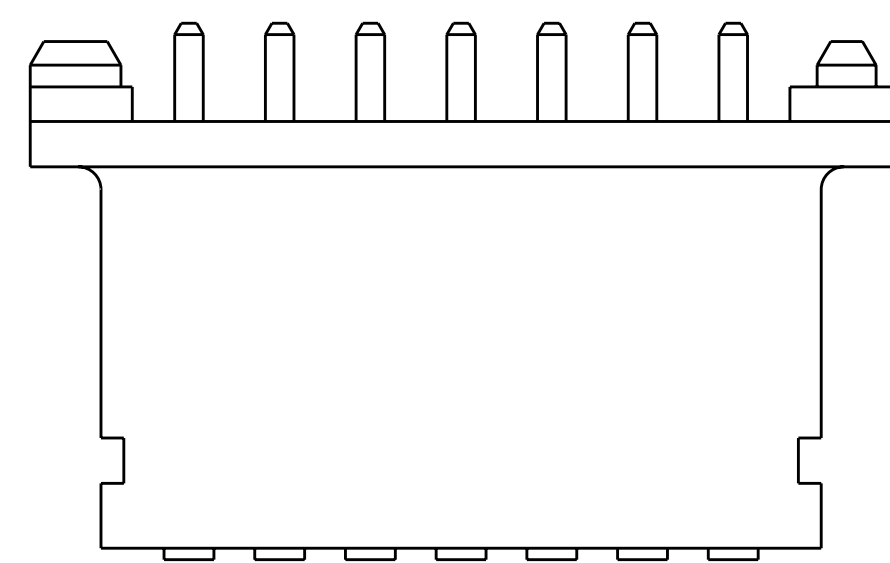


LOC	DIST	REV	DATE	BY	APPD
AD	00	B3	28SEP2006	MB	DR



- 1 HOUSING MATERIAL: LIQUID CRYSTAL POLYMER, COLOR: BLACK
- 2 HOUSING MATERIAL: LIQUID CRYSTAL POLYMER, COLOR: NATURAL
- 3 CONTACTS: PHOSPHOR BRONZE
PLATING: 0.76µm MIN GOLD ON CONTACT AREA
3.0µm MIN TIN-LEAD ON SOLDER LEADS OVER
0.76µm MIN NICKEL UNDERPLATE OVERALL
- 4 CONTACTS: PHOSPHOR BRONZE
PLATING: 0.26µm MIN HARD GOLD FLASH OVER
1.3µm MIN PALLADIUM NICKEL ON CONTACT AREA
3.0µm MIN TIN-LEAD ON SOLDER LEADS OVER
0.76µm MIN NICKEL UNDERPLATE OVERALL
- 5 1375936-2 & 5-1375936-2 ARE FOR TESTING PUPOSES ONLY
- 6 CONTACTS: PHOSPHOR BRONZE
PLATING: 0.76µm MIN GOLD ON CONTACT AREA,
3.0µm MIN TIN ON SOLDER LEADS OVER
0.76µm MIN NICKEL UNDERPLATE OVERALL
- 7 CONTACTS: PHOSPHOR BRONZE
PLATING: 0.26µm MIN HARD GOLD FLASH OVER
1.3µm MIN PALLADIUM NICKEL ON CONTACT AREA
3.0µm MIN TIN ON SOLDER LEADS OVER
0.76µm MIN NICKEL UNDERPLATE OVERALL
- 8 ROHS 2002/95/EC COMPLIANT

REV	DESCRIPTION	PART NUMBER
5		5-1375936-2
6		5-1375936-1
2		1375936-2
1		1375936-1

DIMENSIONS: mm TOLERANCES UNLESS OTHERWISE SPECIFIED: 9 PLC ± 1 PLC ±0.13 2 PLC ± 3 PLC ± 4 PLC ± ANGLES ±1°		DWN: J MOSER 17JUL00 CHK: J LANDIS 17JUL00 APVD: - NAME: ASSEMBLY, CONNECTOR, HEADER, THERMOMETER CONNECTOR SIZE: A1 CAGE CODE: 00779 DRAWING NO: 1375936 RESTRICTED TO: - SCALE: 6:1 SHEET: 1 OF 1 REV: B3	
MATERIAL: - FINISH: -		CUSTOMER DRAWING Tyeo Electronics Harrisburg, PA 17105-3608	