

**Technical specification:**

Rated voltage: 8pos  
IEC 61076-2-101 30 V

Current rating: 8pos  
IEC 61076-2-101 2 A at 40°C

Insulation resistance: >=100 MΩ  
IEC 60512

Pollution degree: 3/2  
IEC 60664-1

Degree of protection: IP 67, in mated condition  
IEC 60529

Temperature range: -25°C ... +95°C  
EN 60512-11-10  
-40°C ... +85°C  
EN 60512-11-4

Mating cycles: >=100  
IEC 60512-9a

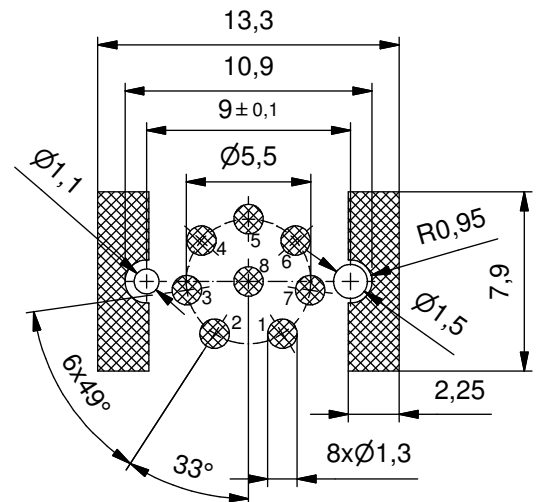
**Materials:**

Contact: CuZn, Ni b / Au 0,2 gal.  
Contact carrier: LCP GF, UL 94 V-0  
Soldering sheet: CuZn, Ni / tin plated

Suitable for reflow soldering  
max. 60s / 250°C

Coplanarity of all contacts and soldering sheets max 0,1mm

**Layout proposal**



Part no. packing unit Tape & Reel:	Part no. packing unit in bulk:	Description:	Pos
43-01965TR	43-01965	SAL - 12 - IK8 - X9 / SMT	8

DO NOT ALTER CAD DRAWING BY HAND RoHS & REACH compliant	Index d 30.03.16 brü Ä6042 technical data changed & tolerance optimized		dim. in mm	title: <b>Insulating body female M12x1 SMT</b>	
					date
			name		dwg no: <b>43K1A1595</b>
			drawn 02.05.12 Kniesburges		
		appd. 03.05.12 Burschik	part no: see table		
general tolerance:		0 ± 0,50mm 0,0 ± 0,25mm 0,00 ± 0,10mm * ± 1,5°	<b>CONEC®</b>		
THIS DRAWING MAY NOT BE COPIED OR REPRODUCED IN ANY WAY, AND MAY NOT BE PASSED ON TO A THIRD PARTY WITHOUT WRITTEN PERMISSION. OWNERSHIP AND COPYRIGHT OF CONEC GmbH					