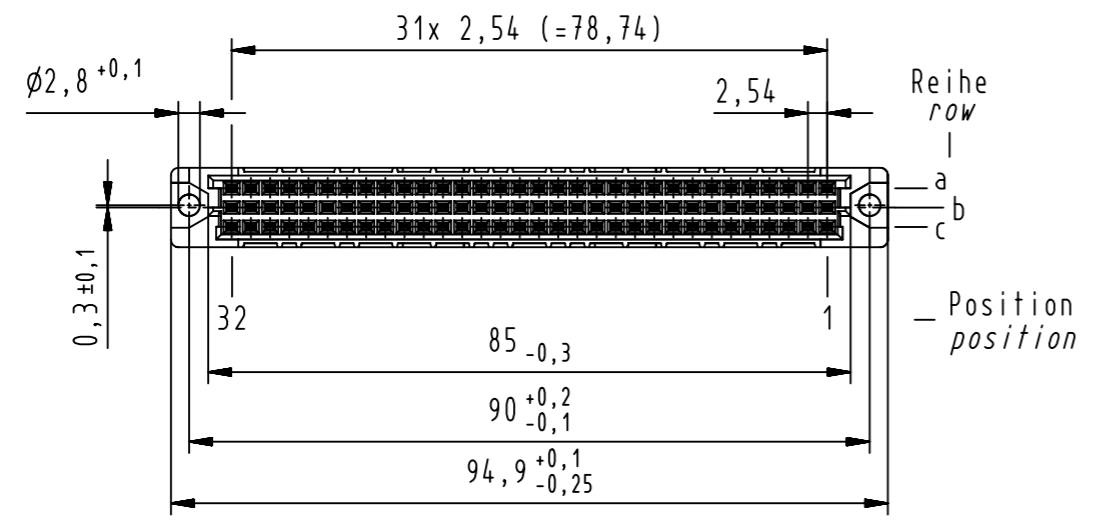
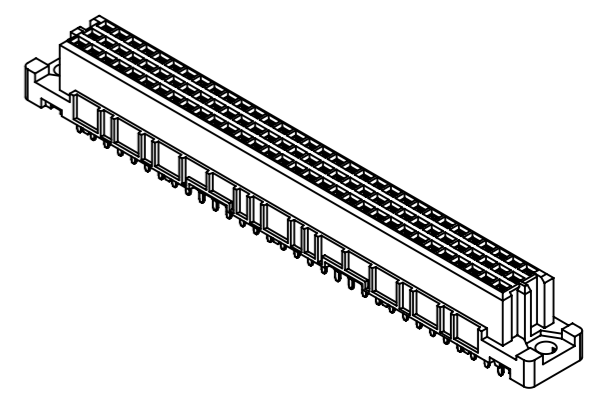
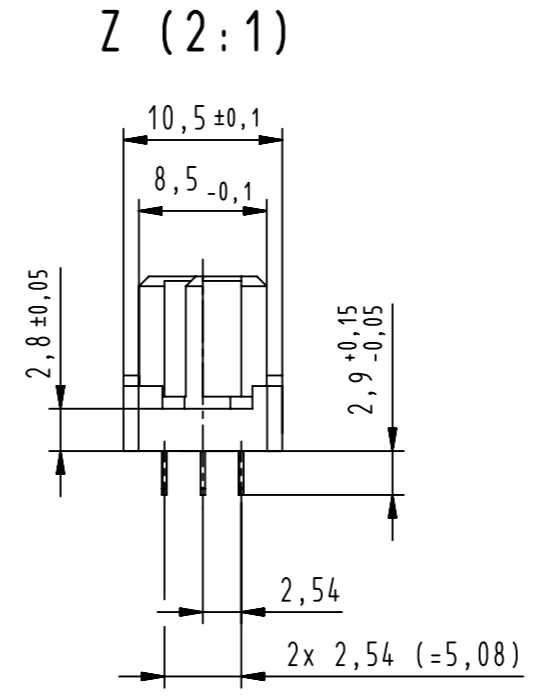
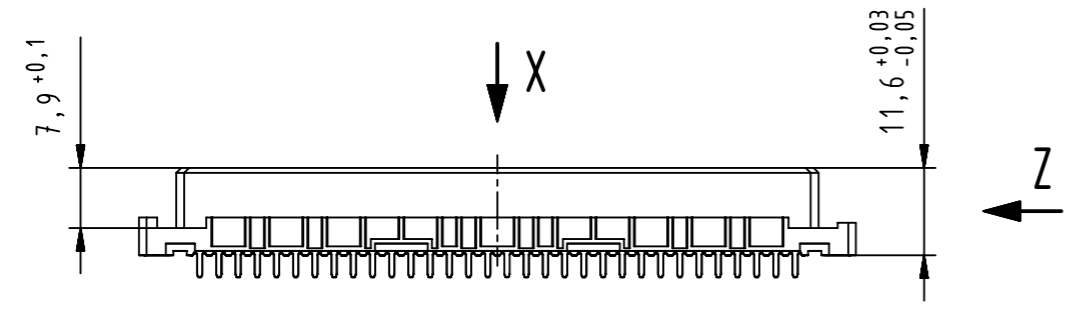


96 Einlöt Kontakte  
96 solder contacts

☒ = Kontaktposition belegt  
= position with contact

■ = kinked Einlöt Kontakt  
= kinked solder contact

□ = Kontaktposition nicht belegt  
= position without contact



① weitere Informationen siehe: DS 09 03 212 00 01  
further information see: DS 09 03 212 00 01

09 03 296 6824 222	2
09 03 296 2824 222	1
Bestell-Nr. part-no.	Anforderungsstufe performance level ①

	All Dimensions in mm Original Size DIN A3	Scale 1:1	Free size tol. complementary IEC 60603-2	Ref. Sub.		
	All rights reserved Department EC PD - DE	Created by LEHNERT	Inspected by TADJE	Standardisation HOFFMANN	Date 2013-01-10	State Final Release
HARTING Electronics GmbH D-32339 Espelkamp		Title DIN Signal type C female solder 2.9 NFF			Doc-Key / ECM-Nr. 100173852/UGD/155/C 50000055974	
		Type TB	Number 0903296X824222		Rev. C	Page 1/1