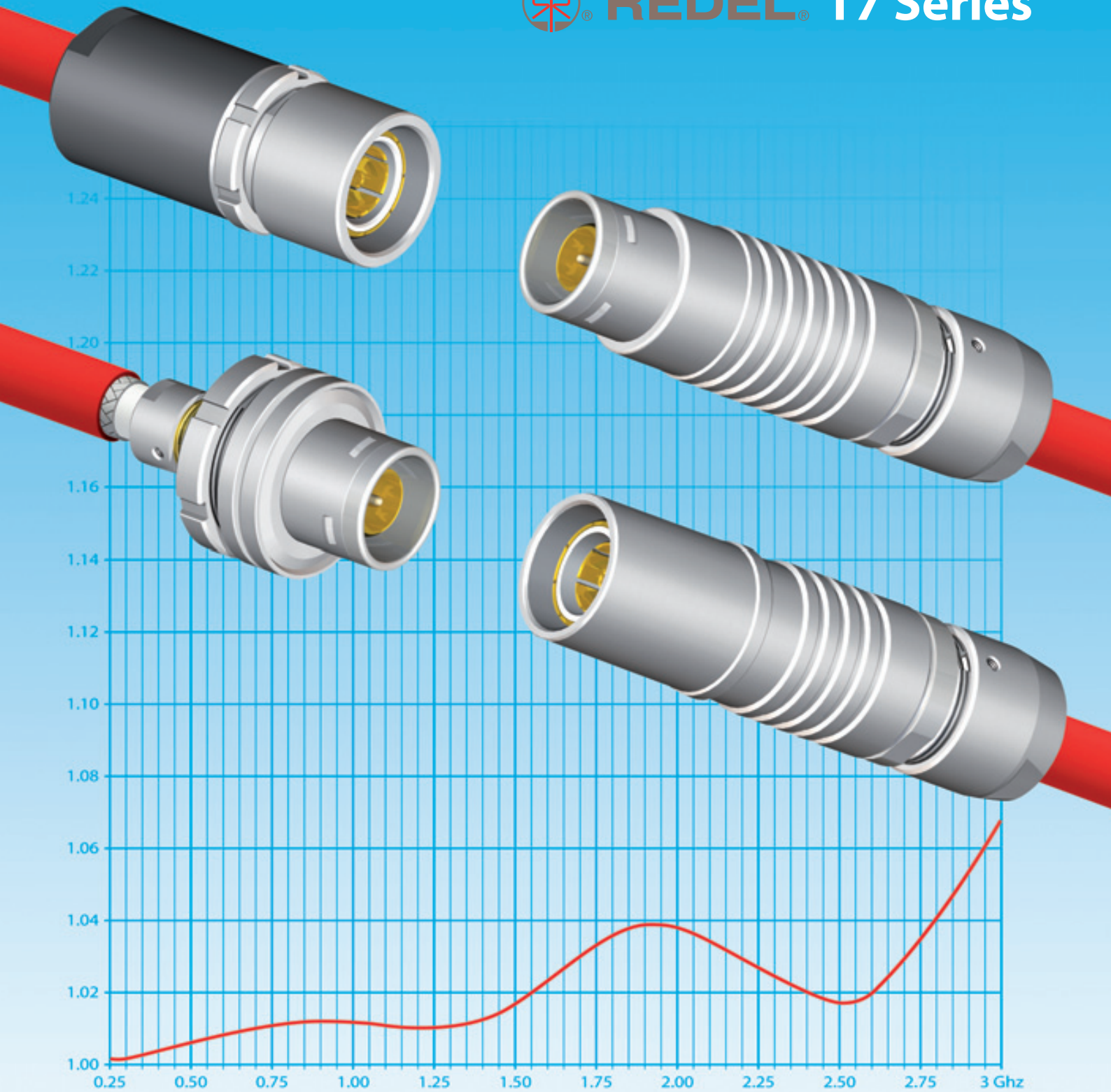




# REDEL® T7 Series



Since its foundation in 1946, the LEMO company has been the inventor of the fast latching Push-Pull system in the field of professional connectors. This system was patented in 1957. In 1991 the company patented a new latching system for DIN 1.0/2.3 and 1.6/5.6 connectors; in 1997 for a hermaphroditic system and in 2008 for an inverted system. The LEMO Group contributed to the definition of international connector standards, such as the NIM-CAMAC CD/N 549 for nuclear research with the 00.250 series and the ANSI/SMPTE 304/311M, EBU R100 and ARIB BTA S-1005B standards with the 3K.93C fibre optic series in the professional HD TV sector.


The modular design of LEMO products provides for unlimited number of connector combinations. This vast choice makes it possible to find the ideal connector configuration to meet the majority of market requirements: for medical or measurement instruments, machines, audio-video broadcast equipment, telecommunications, the defence market or nuclear research.


The selection of the right connector for a project is an important and sometimes difficult process. LEMO offers professional support for finding the best solution for you. You are welcome to contact LEMO subsidiaries and local partners for technical and sales assistance. For some applications unique design is required. LEMO studies your requirements and provides the connector that corresponds to your specific needs.

## UL Recognition

LEMO connectors are recognized by the Underwriters Laboratories (UL). The approval of the complete system (LEMO connector, cable and your equipment) will be easier because LEMO connectors are recognized.

## CE marking

CE marking  means that the appliance or equipment bearing it complies with the protection requirements of one or several European safety directives.

CE marking  applies to complete products or equipment, **but not to electromechanical components, such as connectors.**

## RoHS

LEMO connector specifications exceed the requirements of the RoHS directive (2011/65/EU) of the European Parliament and the latest amendments.

This directive specifies the restrictions of the use of hazardous substances in electrical and electronic equipment marketed in Europe.

## REACH declaration

REACH concerns all industrial sectors as well as all the participants in the supply chain. As far as REACH regulation is concerned, LEMO is a producer of items made from finished products.

In cooperation with our suppliers and according to our supply channels, we are kept informed about their procedures of pre-registration and we guarantee the safety of utilisation of the items that we supply to you. The European Chemical Agency (ECHA) has published a List of Substance of Very High Concern (SVHC) on its webpage. We declare that LEMO articles do not contain any substance of Very High Concern (SVHC).

## ISO 9001: 2008 certification

Since 1990, all LEMO sales subsidiaries and production plants are integrated in a unique global Quality management system. This continuously improving system guarantees a service and quality level that meets the highest customer requirements.

Permanent training programmes ensure that every LEMO employee has the necessary know-how to perform a good job and to be able to apply new working methods. Production tools include automatic control devices and error detection systems enabling zero defect.



REDEL's engineering department, in cooperation with LEMO's R&D Laboratory, have made a large number of improvements to the existing REDEL **F** series connectors, in order to improve electrical performance, as well as other technical aspects.

This new connector series is called "**T7** series" and is **TOTALLY COMPATIBLE WITH THE EXISTING REDEL F SERIES.**

These connectors are used in all **triax HDTV** applications. They guarantee a protection index of **IP68** (standard IEC 60529) and adapt to a larger range of triaxial cables. At the same time, new models have been created to be able to meet our customers' highest expectations.

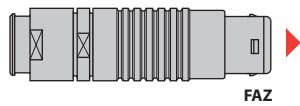
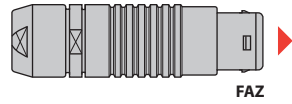
The REDEL company is readily available to design new models which are not shown in this catalogue, in order to meet our customers' current and future needs.

## Index

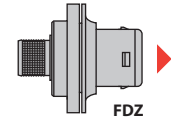
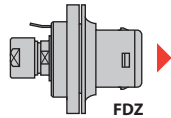
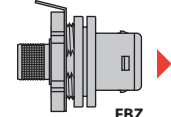
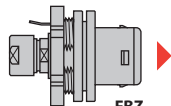
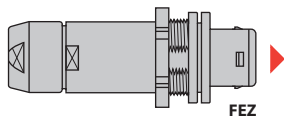
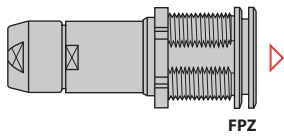
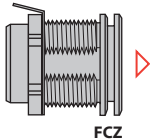
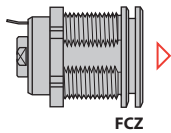
Models and interconnections.....	page 2
Plug and socket composition.....	page 3
Technical characteristics.....	page 4
Recommended triaxial (75Ω) cables.....	page 5
Part numbering system.....	page 6
Part number conversion table.....	page 7
Models.....	page 8
Plugs.....	page 8
Sockets.....	page 12
Adaptors.....	page 17
Accessories.....	page 20
Tooling.....	page 22
Patch panels.....	page 24
Cable assembly.....	page 25
Triax fibre optic Meerkat converter.....	page 26
LEMO SA structure.....	page 28
LEMO 5 SA structure.....	page 29
REDEL SA structure.....	page 30
COELVER SA structure.....	page 31
REDEL KfT structure.....	page 32

## Models and Interconnections

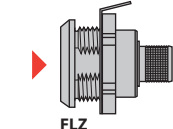
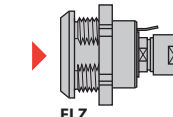
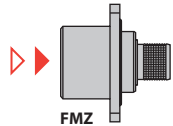
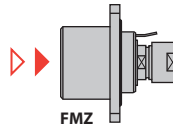
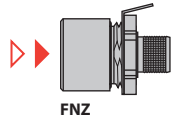
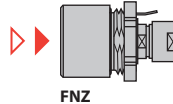
### Plugs



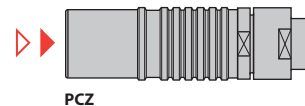
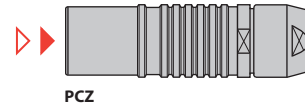
### Fixed plugs



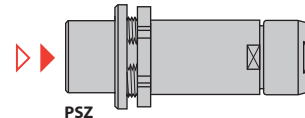
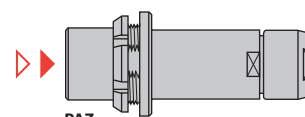
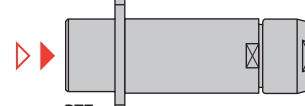
### Fixed sockets



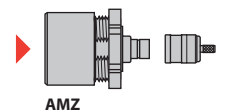
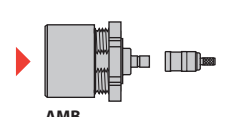
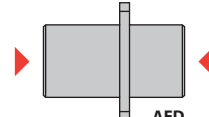
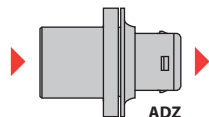
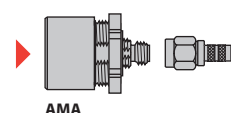
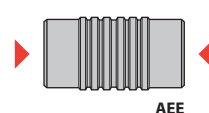
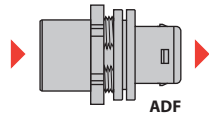
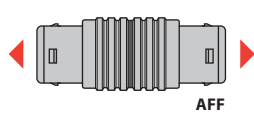
### Free sockets



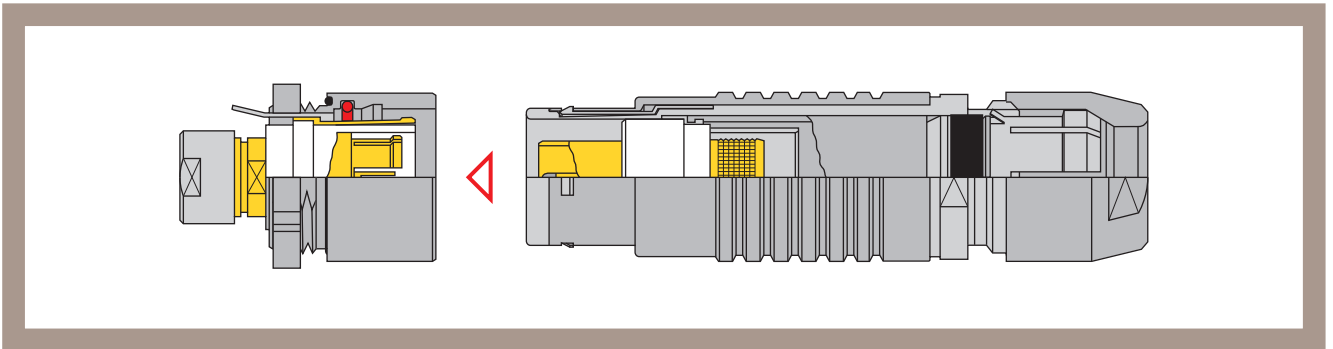
### Fixed sockets



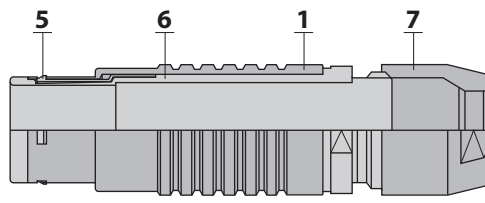
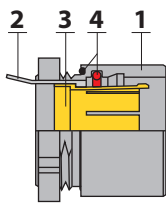
### Adaptators





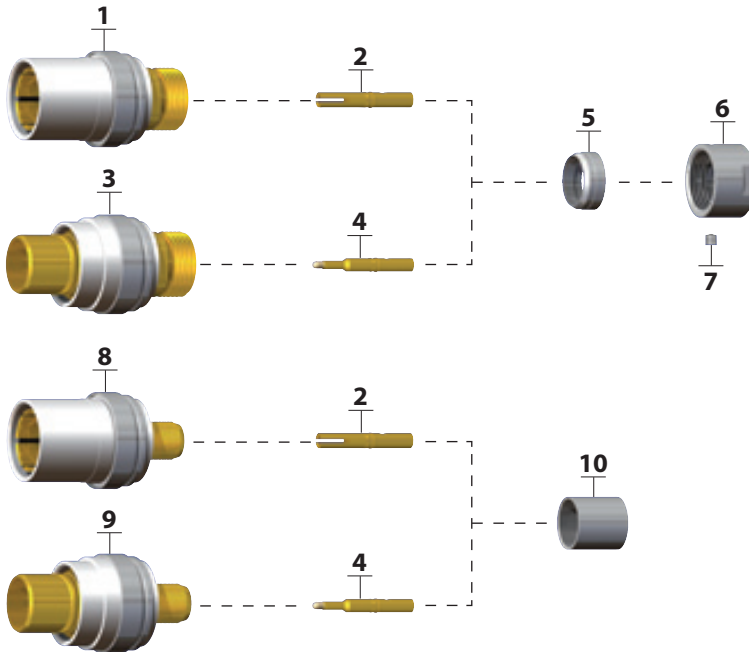


### Shell components



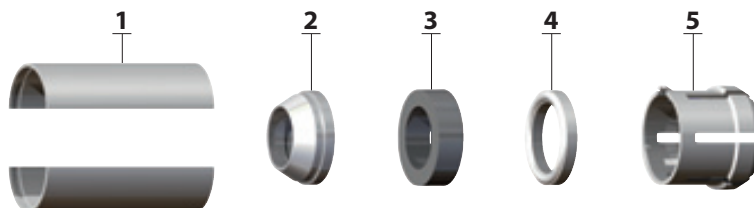
- 1 Outer shell
- 2 Earthing contact
- 3 Earthing crown
- 4 O-rings
- 5 Latch sleeve
- 6 Inner sleeve
- 7 Collet nut

### Coax components



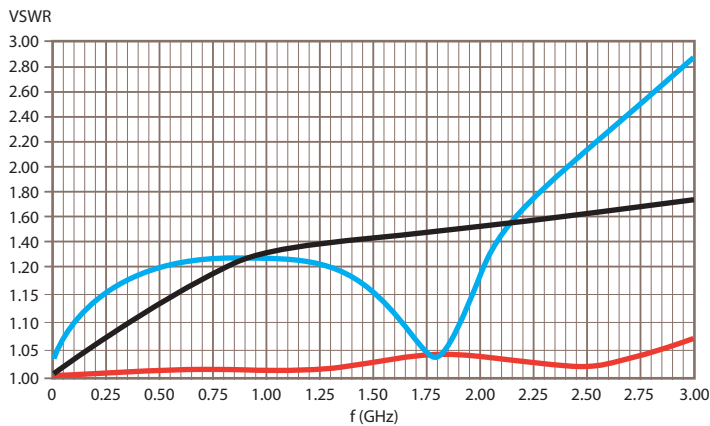
- 1 Female contact carrier (nut tightening)
- 2 Female contact
- 3 Male contact carrier (nut tightening)
- 4 Male contact
- 5 Earthing cone
- 6 Collet nut
- 7 Security screw
- 8 Female contact carrier (crimping)
- 9 Male contact carrier (crimping)
- 10 Crimping tube

### Cable clamping system components



- 1 Split insert
- 2 Earthing cone
- 3 Gasket
- 4 Metal washer
- 5 Collet

## Technical characteristics



Measured with the following models:

- FAZ.T7.5FT.CC11C + FRZ.T7.5FT.MC11C
- FAZ.T7.5FT.CC11C + FNZ.T7.675.CTL04C
- FAZ.T7.675.CTA04C + FNZ.T7.675.CTL04C

Electrical	Value	Standard	Method
Impedance	75 Ω	–	–
VSWR (0 - 0.4 GHz) / VSWR (0.4 - 3 GHz)	≤ 1.02 / ≤ 1.07	IEC 60169-1-1	–
Test voltage contact/screen	2.9 kVAC	IEC 60512-2	Test 4a
Test voltage screen/screen	1.9 kVAC	IEC 60512-2	Test 4a
Rated current	12 A	IEC 60512-3	Test 5a
Contact resistance of the central contact	< 1.6 m Ω	IEC 60512-2	Test 2a
Contact resistance of the coaxial screen	< 0.4 m Ω	IEC 60512-2	Test 2f
Electrical continuity of the screen	< 1.5 m Ω	IEC 60512-2	Test 2f
Insulation resistance	> 10 <sup>12</sup> Ω	IEC 60512-2	Test 3a

Material and Treatment	Material (Standard)	Surface Treatment
Shell	Brass (UNS C 38500) / Stain. steel 304 L	Chrome or black chrome/ Without treat.
Earthing crown	Bronze (UNS C 54400)	Gold
Other metallic component	Brass (UNS C 38500) / Stain. steel 416	Nickel / Without treatment
O-rings and gaskets	Silicone MQ/MVQ	–
Male contact	Brass (UNS C 34500)	Gold
Female contact	Bronze (UNS C 54400)	Gold
Male coax contact	Brass (UNS C 34500)	Gold
Female coax contact	Bronze (UNS C 54400)	Gold
Inserts, plastic parts	PTFE / PCTFE / PEEK®	–

Mechanical and Climatical	Value	Standard	Method
Endurance	> 5000 cycles	IEC 60512-5	Test 9a
Resistance to vibration	10-20000 Hz, 15 g	IEC 60512-4	Test 6d
Shock resistance	100 g, 6 ms	IEC 60512-4	Test 6c
Protection index (mated)	IP68	IEC 60529	–
Temperature range	-55°C, +250°C	–	–
Humidity	up to 95% at 60°C	–	–
Salt spray corrosion test	> 144 h	IEC 60512-6	Test 11f

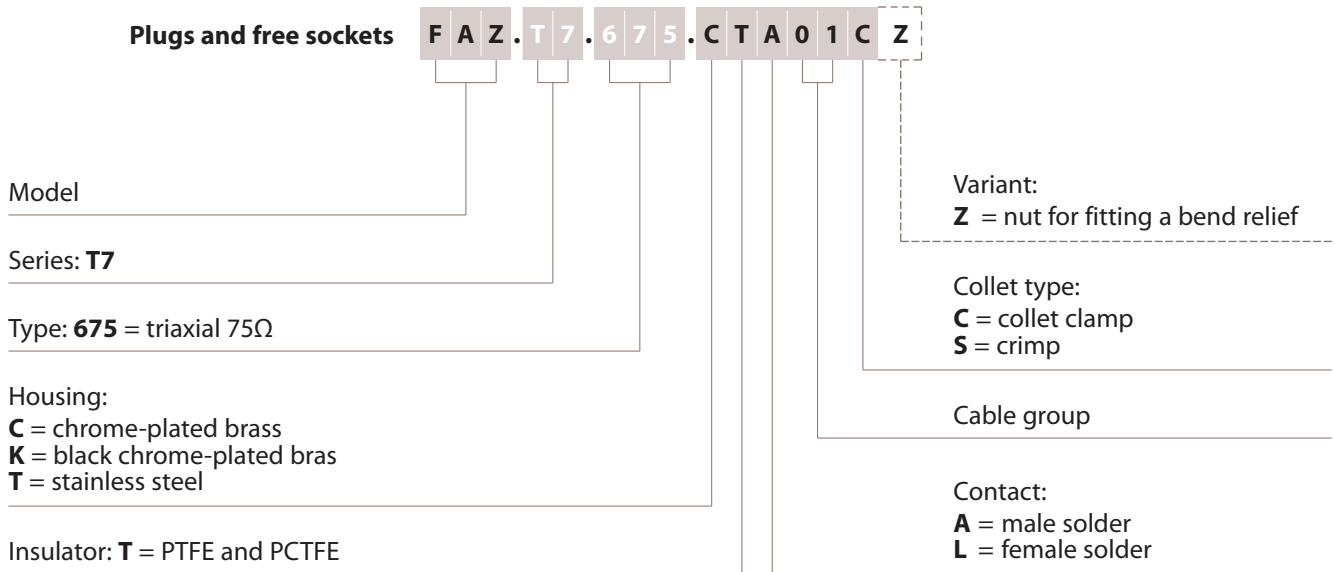
## Recommended triaxial (75Ω) cables



Cables	Core material	Conductor Ø	Dielectric Ø	Cable Ø	Cable group
Bedeas Standard 8 2069	PUR	1.00	4.50	8.5	01
Bedeas Superflex 8 1883	TPE	1.05	4.50	8.5	01
Bedeas Standard 11 2184	PUR	1.40	6.50	11.0	04
Bedeas Superflex 11 1888	TPU/S	1.40	6.10	11.2	03
Bedeas Standard 14 1858	PUR	2.07	9.70	14.4	06
Bedeas Superflex 14 2042	TPE	2.10	9.70	14.4	06
Belden Triax 8 7783A and 7783AF	PVC	1.00	4.50	8.4	01
Belden Triax 11 7784E and 7784AF	PVC	1.40	6.50	11.0	04
Belden Triax 11 7784ECH and 7784ANH	FRNC	1.40	6.50	11.3	04
Belden Triax 11 7784AS and 7784RF	PVC	1.40	6.50	11.3	04
Belden Triax 14 7785E and 7785A	PVC	2.20	9.70	14.5	06
Belden Triax 14 7785ANH	FRNC	2.20	9.70	14.5	06
Conducfil 1282	PVC	1.00	4.50	8.5	01
Conducfil 1283 and 10263	PVC	1.00	4.50	8.5	01
Conducfil 1284	PVC	1.40	6.50	11.0	04
Conducfil 1285 and 10389	PVC	1.40	6.50	11.0	04
Draka Triax 8 CT2765700 and CT2767900	PVC / PUR	1.00	4.50	8.4	01
Draka Triax 8 CT2853203	FRNC	1.00	4.50	8.9	01
Draka Triax 11 CT2766400 and CT2768100	PVC / PUR	1.40	6.50	10.9	04
<b>Draka Triax 11 1028191*</b>	PUR	1.75	7.50	12.1	05
Draka Triax CT2768700	PUR	1.75	7.50	11.9	05
Draka Triax 11/1 CT2767101	PUR	1.40	6.50	12.2	04
Draka Triax 14 CT2766700 and CT2767000	PVC / PUR	2.20	9.70	14.5	06
Fujikura 4.8/1.0 EFTXF	PUR	1.00	4.80	8.6	02
Fujikura 9.6/2.22 EFTXF	PUR	2.20	9.60	14.5	06
Hirakawa Triax 4.8/1.0 - TUFRET 3118-250	TPE	1.00	4.80	8.8	02
Hirakawa Triax 1/2.22 - TUFRET 3118-290	TPE	2.22	9.60	14.5	06
Intercond 8.5 mm RX 75/55	PUR / PVC	1.00	4.70	8.5	02
Intercond 11 mm RX 75/56	PUR / PVC	1.40	6.50	11.0	04
Intercond 14 mm RX 75/57	PUR / PVC	2.15	9.70	14.0	06

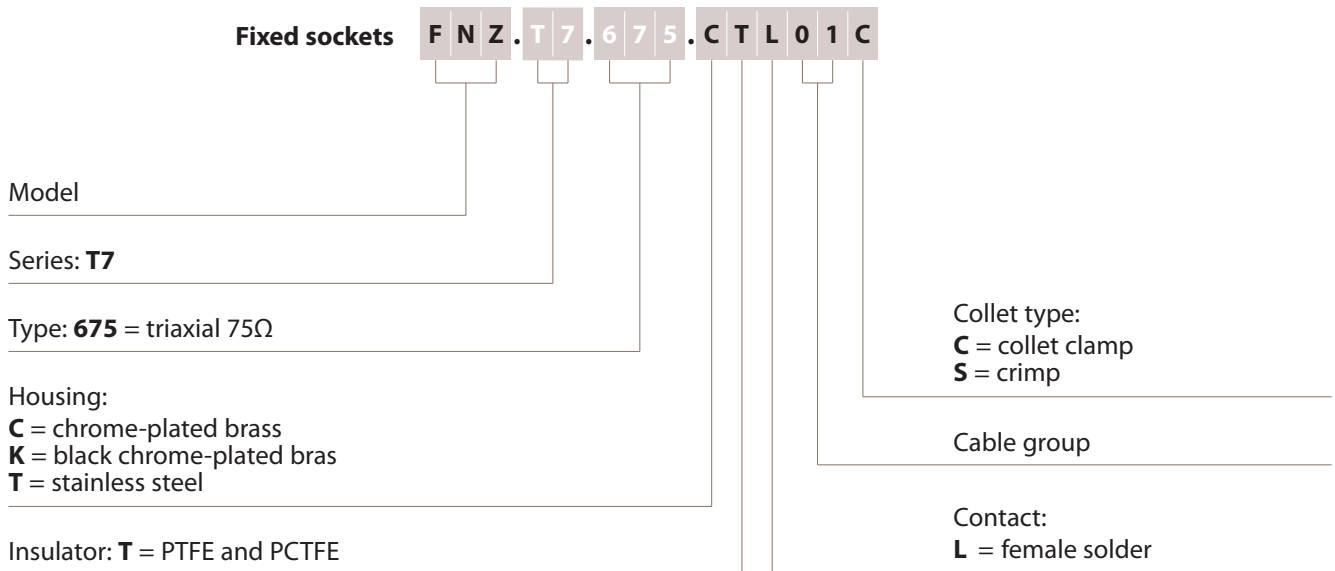
**Notes:** \* An integrated connector and cable solution has been developed allowing a 35% improved length (tested at more than 1500 m). Designed for indoor and outdoor operation, this cable provides an optimal transmission quality in a lost effective and light package.

## Part numbering system



### Example:

**FAZ.T7.675.CTA01CZ** = plug with cable collet, T7 series, triaxial 75Ω, outer shell in chrome-plated brass, PTFE insulator, male solder contacts, cable group 01, C type collet and nut for fitting a bend relief.



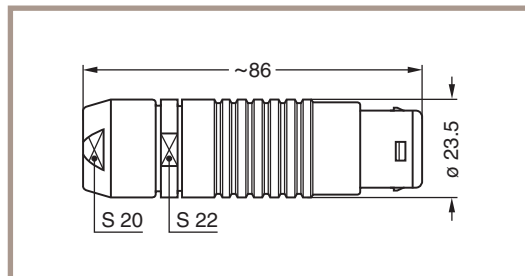
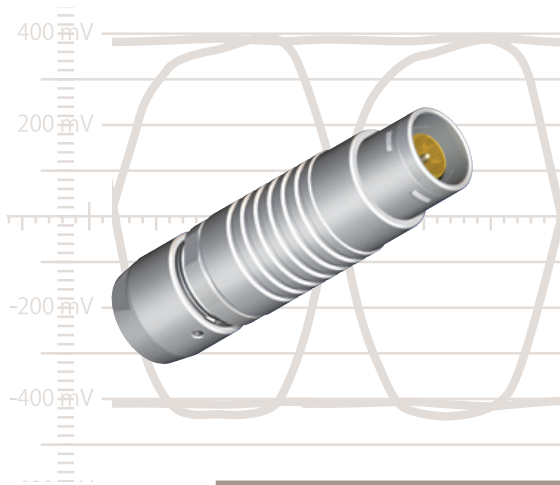
### Example:

**FNZ.T7.675.CTL01C** = fixed socket with cable collet, T7 series, triaxial 75Ω, outer shell in chrome-plated brass, PTFE insulator, female solder contacts, cable group 01 and C type collet.

**Part number conversion table**

Old	New	Old	New	Old	New
FAZ.T7.5FT.CC85C	FAZ.T7.675.CTA01C		FEZ.T7.675.CTA01C		PTZ.T7.675.CTL05C
FAZ.T7.5FT.CC85CZ	FAZ.T7.675.CTA01CZ		FEZ.T7.675.CTA01S		PTZ.T7.675.CTL05S
FAZ.T7.5FT.CC86C	FAZ.T7.675.CTA01C		FEZ.T7.675.CTA02C		PTZ.T7.675.CTL06C
FAZ.T7.5FT.CC86CZ	FAZ.T7.675.CTA01CZ		FEZ.T7.675.CTA03C		PTZ.T7.675.CTL06S
FAZ.T7.5FT.CC90C	FAZ.T7.675.CTA02C		FEZ.T7.675.CTA04C		PAZ.T7.675.CTL01C
FAZ.T7.5FT.CC90CZ	FAZ.T7.675.CTA02CZ		FEZ.T7.675.CTA04S		PAZ.T7.675.CTL01S
	FAZ.T7.675.CTA01S		FEZ.T7.675.CTA05C		PAZ.T7.675.CTL02C
	FAZ.T7.675.CTA01SZ		FEZ.T7.675.CTA05S		PAZ.T7.675.CTL03C
FAZ.T7.5FT.CC11BZ	FAZ.T7.675.CTA04CZ		FEZ.T7.675.CTA06C		PAZ.T7.675.CTL04C
FAZ.T7.5FT.CC11C	FAZ.T7.675.CTA04C		FEZ.T7.675.CTA06S		PAZ.T7.675.CTL04S
FAZ.T7.5FT.CC11CZ	FAZ.T7.675.CTA04CZ	FRZ.T7.5FT.MC85BZ	PCZ.T7.675.CTL01CZ		PAZ.T7.675.CTL05C
FAZ.T7.5FT.CC12C	FAZ.T7.675.CTA05C	FRZ.T7.5FT.MC85CZ	PCZ.T7.675.CTL01CZ		PAZ.T7.675.CTL05S
FAZ.T7.5FT.CC12CZ	FAZ.T7.675.CTA05CZ	FRZ.T7.5FT.MC86BZ	PCZ.T7.675.CTL01CZ		PAZ.T7.675.CTL06C
FAZ.T7.5FT.CC13C	FAZ.T7.675.CTA06C	FRZ.T7.5FT.MC86C	PCZ.T7.675.CTL01C		PAZ.T7.675.CTL06S
	FAZ.T7.675.CTA04CZ	FRZ.T7.5FT.MC86CZ	PCZ.T7.675.CTL01CZ	FNZ.T7.5FT.M39C	FNZ.T7.675.CTL01C
	FAZ.T7.675.CTA04S	FRZ.T7.5FT.MC90C	PCZ.T7.675.CTL02C	FNZ.T7.5FT.M49S	FNZ.T7.675.CTL01S
	FAZ.T7.675.CTA04SZ	FRZ.T7.5FT.MC90CZ	PCZ.T7.675.CTL02CZ		FNZ.T7.675.CTL02C
FAZ.T7.5FT.CC14C	FAZ.T7.675.CTA06C		PCZ.T7.675.CTL01S		FNZ.T7.675.CTL03C
FAZ.T7.5FT.CC14CZ	FAZ.T7.675.CTA06CZ		PCZ.T7.675.CTL01SZ	FNZ.T7.5FT.M67C	FNZ.T7.675.CTL04C
	FAZ.T7.675.CTA05S	FRZ.T7.5FT.MC11BZ	PCZ.T7.675.CTL04CZ	FNZ.T7.5FT.M67S	FNZ.T7.675.CTL04S
	FAZ.T7.675.CTA05SZ	FRZ.T7.5FT.MC11C	PCZ.T7.675.CTL04C		FNZ.T7.675.CTL05C
FAZ.T7.5FT.CC15C	FAZ.T7.675.CTA06C	FRZ.T7.5FT.MC11CZ	PCZ.T7.675.CTL04CZ	FNZ.T7.5FT.M84S	FNZ.T7.675.CTL05S
FAZ.T7.5FT.CC15CZ	FAZ.T7.675.CTA06CZ	FRZ.T7.5FT.MC12C	PCZ.T7.675.CTL05C		FNZ.T7.675.CTL06C
	FAZ.T7.675.CTA06S	FRZ.T7.5FT.MC12CZ	PCZ.T7.675.CTL05CZ		FNZ.T7.675.CTL06S
	FAZ.T7.675.CTA06SZ	FRZ.T7.5FT.MC13C	PCZ.T7.675.CTL06C		FMZ.T7.675.CTL01C
	FBZ.T7.675.CTA01C		PCZ.T7.675.CTL04CZ		FMZ.T7.675.CTL01S
	FBZ.T7.675.CTA01S		PCZ.T7.675.CTL04S		FMZ.T7.675.CTL02C
	FBZ.T7.675.CTA02C		PCZ.T7.675.CTL04SZ		FMZ.T7.675.CTL03C
	FBZ.T7.675.CTA03C	FRZ.T7.5FT.MC14C	PCZ.T7.675.CTL06C		FMZ.T7.675.CTL04C
	FBZ.T7.675.CTA04C	FRZ.T7.5FT.MC14CZ	PCZ.T7.675.CTL06CZ		FMZ.T7.675.CTL04S
	FBZ.T7.675.CTA04S		PCZ.T7.675.CTL05S		FMZ.T7.675.CTL05C
	FBZ.T7.675.CTA05C		PCZ.T7.675.CTL05SZ		FMZ.T7.675.CTL05S
	FBZ.T7.675.CTA05S	FRZ.T7.5FT.MC15C	PCZ.T7.675.CTL06C		FMZ.T7.675.CTL06C
	FBZ.T7.675.CTA06C	FRZ.T7.5FT.MC15CZ	PCZ.T7.675.CTL06CZ		FMZ.T7.675.CTL06S
	FBZ.T7.675.CTA06S		PCZ.T7.675.CTL06S		FLZ.T7.675.CTL01C
	FDZ.T7.675.CTA01C		PCZ.T7.675.CTL06SZ		FLZ.T7.675.CTL01S
	FDZ.T7.675.CTA01S		PSZ.T7.675.CTL01C		FLZ.T7.675.CTL02C
	FDZ.T7.675.CTA02C		PSZ.T7.675.CTL01S		FLZ.T7.675.CTL03C
	FDZ.T7.675.CTA03C		PSZ.T7.675.CTL02C		FLZ.T7.675.CTL04C
	FDZ.T7.675.CTA04C		PSZ.T7.675.CTL03C		FLZ.T7.675.CTL04S
	FDZ.T7.675.CTA04S		PSZ.T7.675.CTL04C		FLZ.T7.675.CTL05C
	FDZ.T7.675.CTA05C		PSZ.T7.675.CTL04S		FLZ.T7.675.CTL05S
	FDZ.T7.675.CTA05S		PSZ.T7.675.CTL05C		FLZ.T7.675.CTL06C
	FDZ.T7.675.CTA06C		PSZ.T7.675.CTL05S		FLZ.T7.675.CTL06S
	FDZ.T7.675.CTA06S		PSZ.T7.675.CTL06C		AFF.T7.675.CTA
	FPZ.T7.675.CTA01C		PSZ.T7.675.CTL06S		ADZ.T7.675.CTA
FCZ.T7.5FT.CC85C	FPZ.T7.675.CTA01C		PTZ.T7.675.CTL01C		ADF.T7.675.CTA
FCZ.T7.5FT.CC86C	FPZ.T7.675.CTA01C		PTZ.T7.675.CTL01S	FVZ.T7.5FT.S	AEE.T7.675.CTL
FCZ.T7.5FT.CC90C	FPZ.T7.675.CTA02C		PTZ.T7.675.CTL02C		AED.T7.675.CTA
FCZ.T7.5FT.CC90CZ	FPZ.T7.675.CTA02CZ		PTZ.T7.675.CTL03C		AMA.T7.675.CTL
FCZ.T7.5FT.CC11C	FPZ.T7.675.CTA04C		PTZ.T7.675.CTL03C		AMB.T7.675.CTL
FCZ.T7.5FT.CC12C	FPZ.T7.675.CTA05C		PTZ.T7.675.CTL04C		AMZ.T7.675.CTL
FCZ.T7.5FT.CC15C	FPZ.T7.675.CTA06C		PTZ.T7.675.CTL04S		

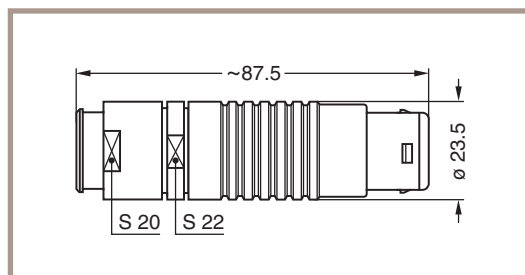
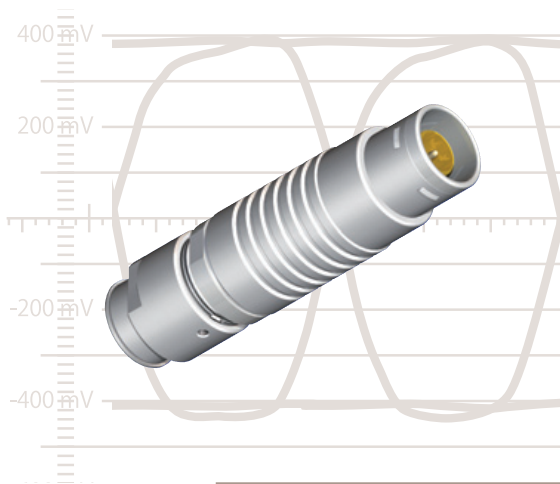


**FAZ Plug**

**Cable collet termination**

Part number	Cable group
FAZ.T7.675.CTA01C	<b>01</b>
FAZ.T7.675.CTA02C	<b>02</b>
FAZ.T7.675.CTA03C	<b>03</b>
FAZ.T7.675.CTA04C	<b>04</b>
FAZ.T7.675.CTA05C	<b>05</b>
FAZ.T7.675.CTA06C	<b>06</b>

**Crimp termination**

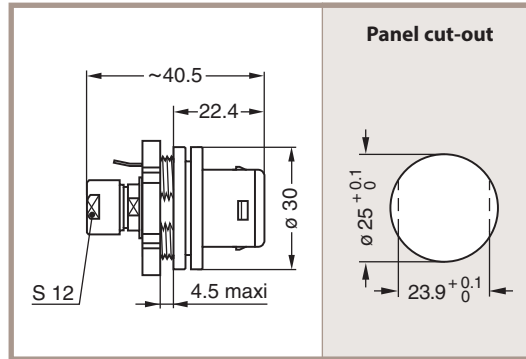
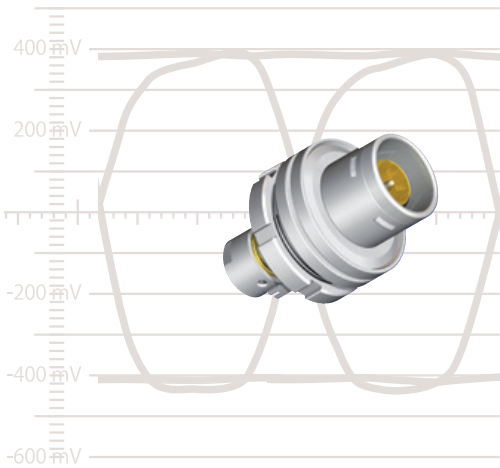
Part number	Cable group
FAZ.T7.675.CTA01S	<b>01</b>
FAZ.T7.675.CTA04S	<b>04</b>
FAZ.T7.675.CTA05S	<b>05</b>
FAZ.T7.675.CTA06S	<b>06</b>

**FAZ Plug, nut for fitting a bend relief**

**Cable collet termination**

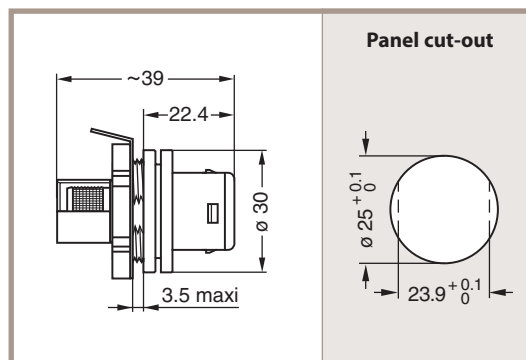
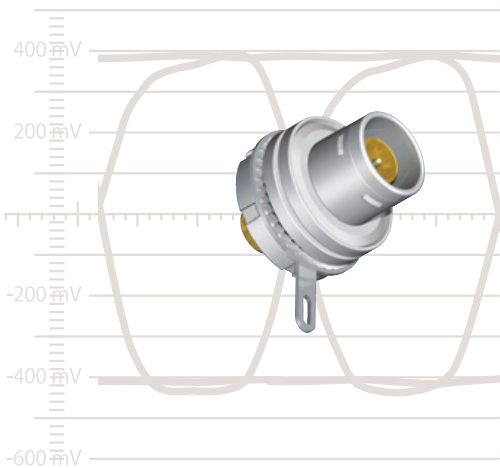
Part number	Cable group
FAZ.T7.675.CTA01CZ	<b>01</b>
FAZ.T7.675.CTA02CZ	<b>02</b>
FAZ.T7.675.CTA03CZ	<b>03</b>
FAZ.T7.675.CTA04CZ	<b>04</b>
FAZ.T7.675.CTA05CZ	<b>05</b>
FAZ.T7.675.CTA06CZ	<b>06</b>

**Crimp termination**

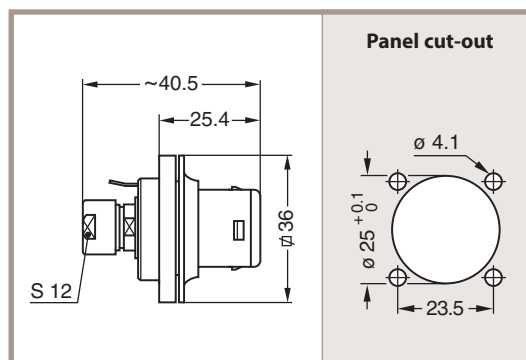
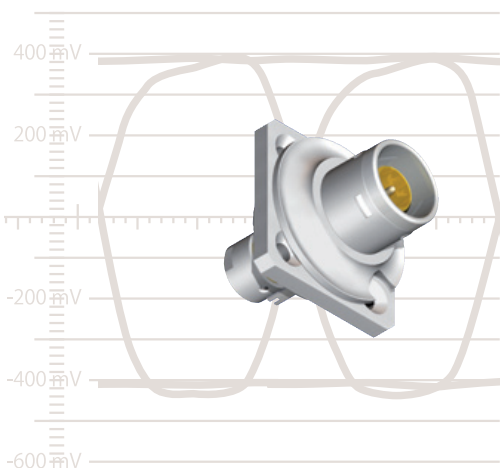
Part number	Cable group
FAZ.T7.675.CTA01SZ	<b>01</b>
FAZ.T7.675.CTA04SZ	<b>04</b>
FAZ.T7.675.CTA05SZ	<b>05</b>
FAZ.T7.675.CTA06SZ	<b>06</b>

**FBZ Fixed plug, nut fixing**

**Cable collet termination**

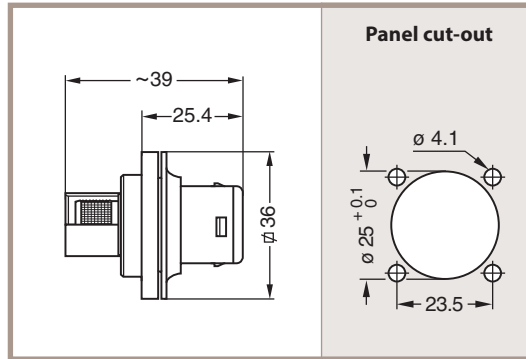
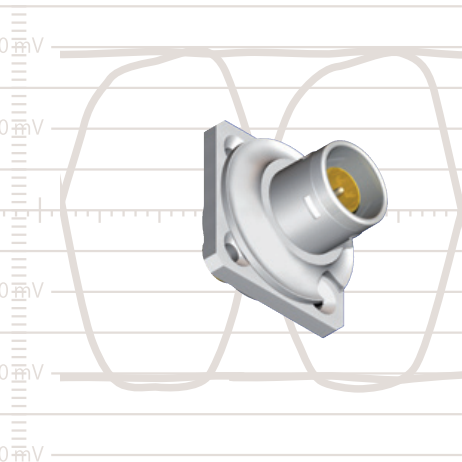
Part number	Cable group
FBZ.T7.675.CTA01C	<b>01</b>
FBZ.T7.675.CTA02C	<b>02</b>
FBZ.T7.675.CTA03C	<b>03</b>
FBZ.T7.675.CTA04C	<b>04</b>
FBZ.T7.675.CTA05C	<b>05</b>
FBZ.T7.675.CTA06C	<b>06</b>

**FBZ Fixed plug, nut fixing**

**Crimp termination**

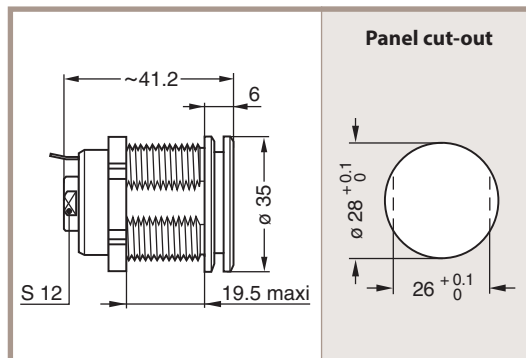
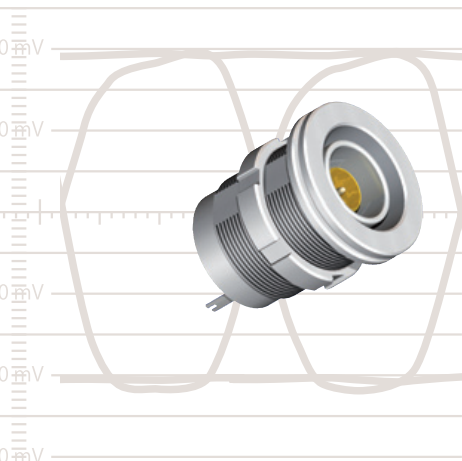
Part number	Cable group
FBZ.T7.675.CTA01S	<b>01</b>
FBZ.T7.675.CTA04S	<b>04</b>
FBZ.T7.675.CTA05S	<b>05</b>
FBZ.T7.675.CTA06S	<b>06</b>

**FDZ Fixed plug, screw fixing**

**Cable collet termination**

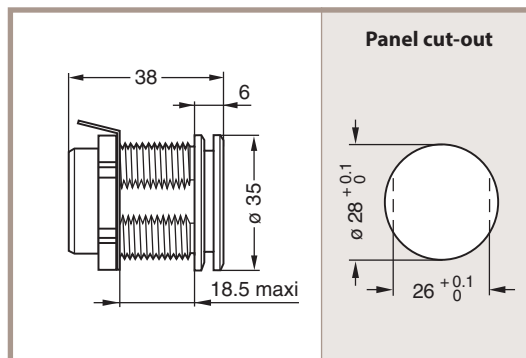
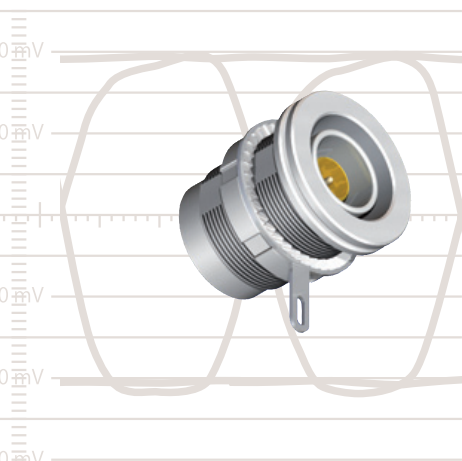
Part number	Cable group
FDZ.T7.675.CTA01C	<b>01</b>
FDZ.T7.675.CTA02C	<b>02</b>
FDZ.T7.675.CTA03C	<b>03</b>
FDZ.T7.675.CTA04C	<b>04</b>
FDZ.T7.675.CTA05C	<b>05</b>
FDZ.T7.675.CTA06C	<b>06</b>

**FDZ Fixed plug, screw fixing**

**Crimp termination**

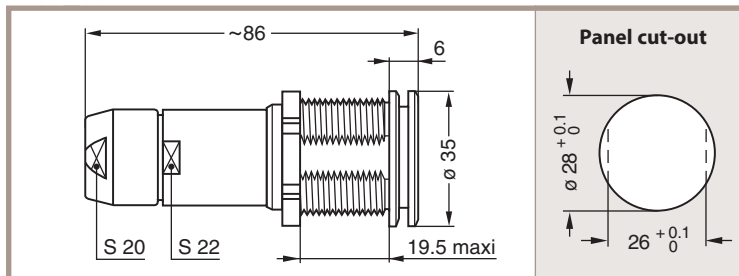
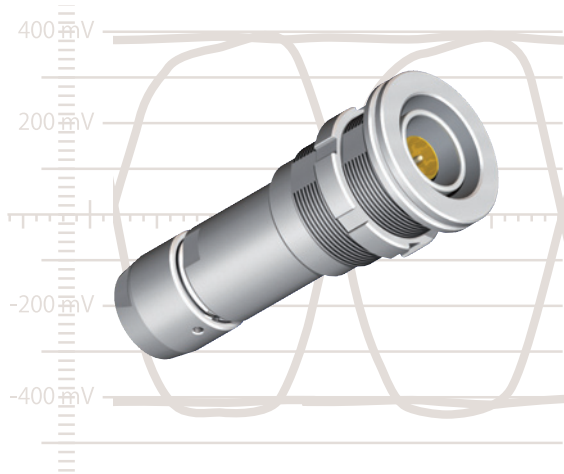
Part number	Cable group
FDZ.T7.675.CTA01S	<b>01</b>
FDZ.T7.675.CTA04S	<b>04</b>
FDZ.T7.675.CTA05S	<b>05</b>
FDZ.T7.675.CTA06S	<b>06</b>

**FCZ Fixed plug, nut fixing**

**Cable collet termination**

Part number	Cable group
FCZ.T7.675.CTA01C	<b>01</b>
FCZ.T7.675.CTA02C	<b>02</b>
FCZ.T7.675.CTA03C	<b>03</b>
FCZ.T7.675.CTA04C	<b>04</b>
FCZ.T7.675.CTA05C	<b>05</b>
FCZ.T7.675.CTA06C	<b>06</b>

**FCZ Fixed plug, nut fixing**

**Crimp termination**

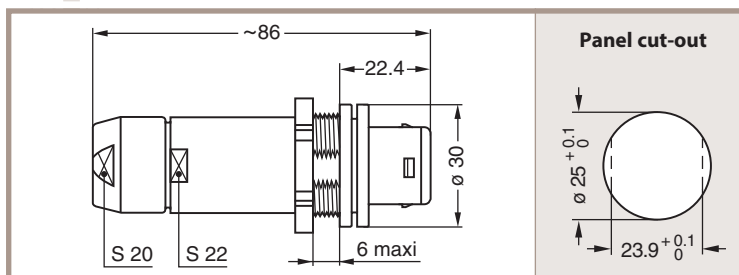
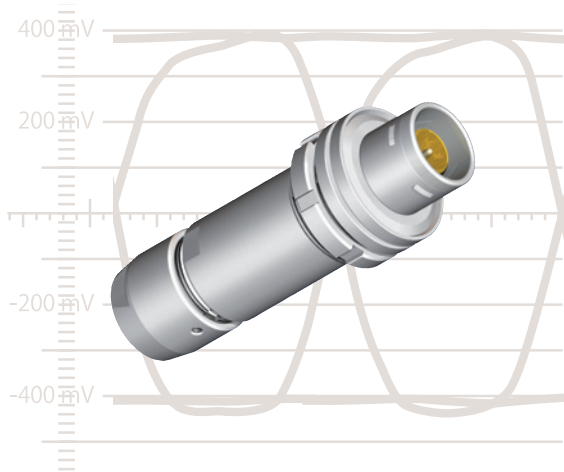
Part number	Cable group
FCZ.T7.675.CTA01S	<b>01</b>
FCZ.T7.675.CTA04S	<b>04</b>
FCZ.T7.675.CTA05S	<b>05</b>
FCZ.T7.675.CTA06S	<b>06</b>

**FPZ Fixed plug, nut fixing**

**Cable collet termination**

Part number	Cable group
FPZ.T7.675.CTA01C	<b>01</b>
FPZ.T7.675.CTA02C	<b>02</b>
FPZ.T7.675.CTA03C	<b>03</b>
FPZ.T7.675.CTA04C	<b>04</b>
FPZ.T7.675.CTA05C	<b>05</b>
FPZ.T7.675.CTA06C	<b>06</b>

**Crimp termination**

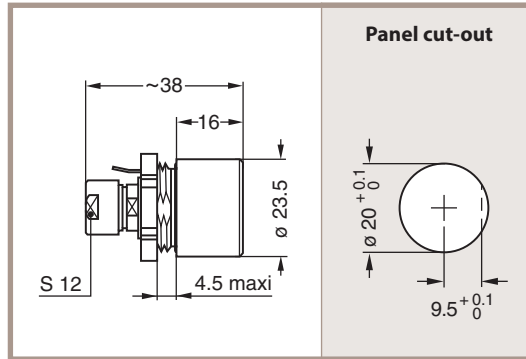
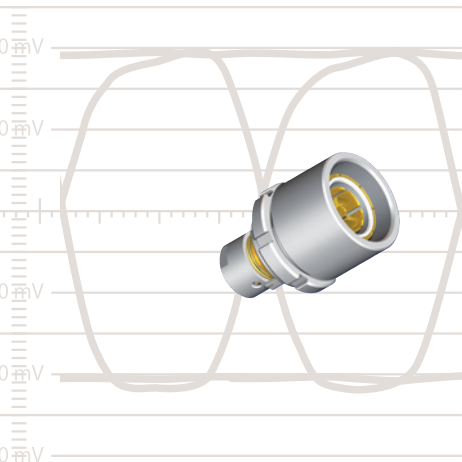
Part number	Cable group
FPZ.T7.675.CTA01S	<b>01</b>
FPZ.T7.675.CTA04S	<b>04</b>
FPZ.T7.675.CTA05S	<b>05</b>
FPZ.T7.675.CTA06S	<b>06</b>

**FEZ Fixed plug, nut fixing**

**Cable collet termination**

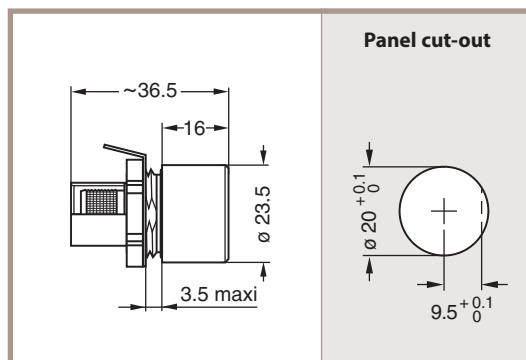
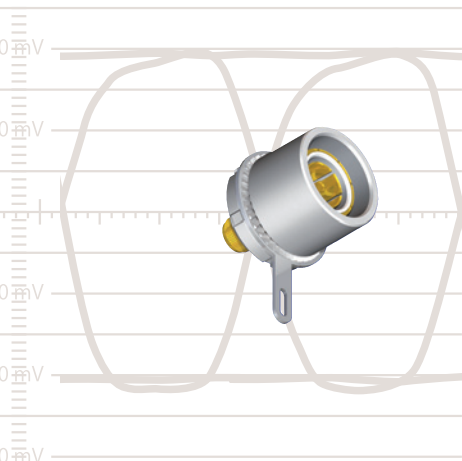
Part number	Cable group
FEZ.T7.675.CTA01C	<b>01</b>
FEZ.T7.675.CTA02C	<b>02</b>
FEZ.T7.675.CTA03C	<b>03</b>
FEZ.T7.675.CTA04C	<b>04</b>
FEZ.T7.675.CTA05C	<b>05</b>
FEZ.T7.675.CTA06C	<b>06</b>

**Crimp termination**

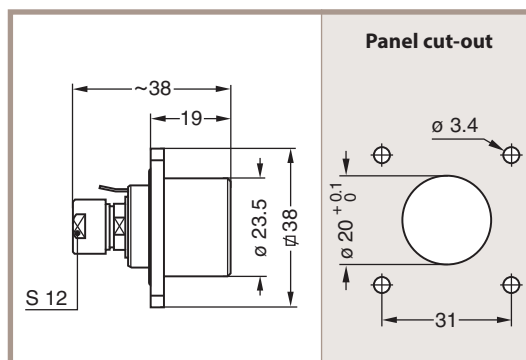
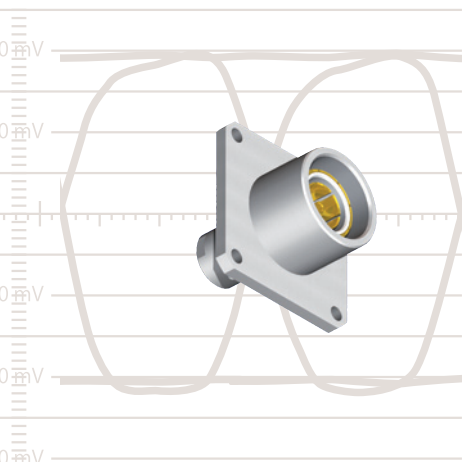
Part number	Cable group
FEZ.T7.675.CTA01S	<b>01</b>
FEZ.T7.675.CTA04S	<b>04</b>
FEZ.T7.675.CTA05S	<b>05</b>
FEZ.T7.675.CTA06S	<b>06</b>

**FNZ Fixed socket, nut fixing**

**Cable collet termination**

Part number	Cable group
FNZ.T7.675.CTL01C	<b>01</b>
FNZ.T7.675.CTL02C	<b>02</b>
FNZ.T7.675.CTL03C	<b>03</b>
FNZ.T7.675.CTL04C	<b>04</b>
FNZ.T7.675.CTL05C	<b>05</b>
FNZ.T7.675.CTL06C	<b>06</b>

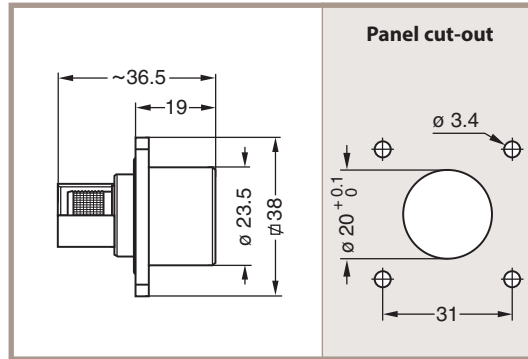
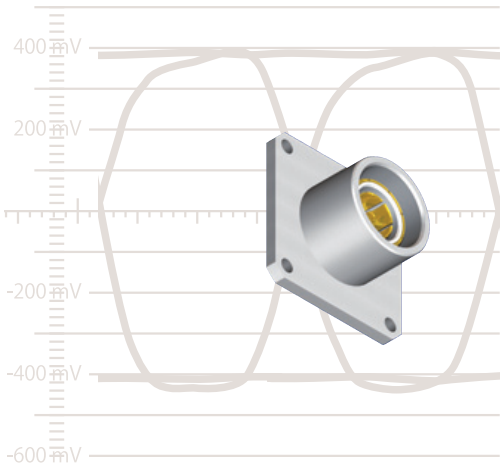
**FNZ Fixed socket, nut fixing**

**Crimp termination**

Part number	Cable group
FNZ.T7.675.CTL01S	<b>01</b>
FNZ.T7.675.CTL04S	<b>04</b>
FNZ.T7.675.CTL05S	<b>05</b>
FNZ.T7.675.CTL06S	<b>06</b>

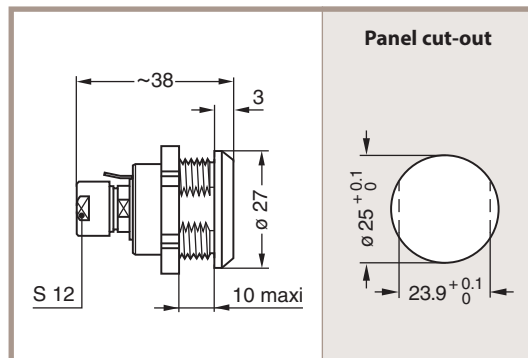
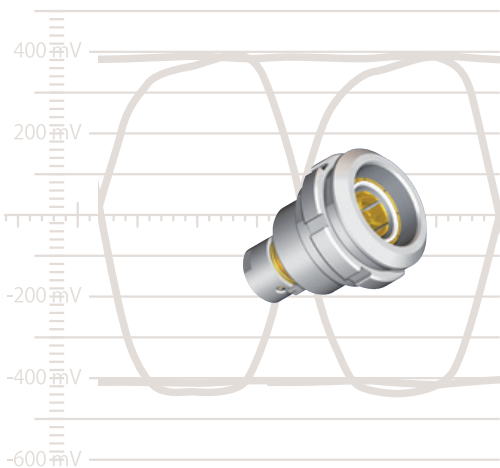
**FMZ Fixed socket, screw fixing, square flange**

**Cable collet termination**

Part number	Cable group
FMZ.T7.675.CTL01C	<b>01</b>
FMZ.T7.675.CTL02C	<b>02</b>
FMZ.T7.675.CTL03C	<b>03</b>
FMZ.T7.675.CTL04C	<b>04</b>
FMZ.T7.675.CTL05C	<b>05</b>
FMZ.T7.675.CTL06C	<b>06</b>

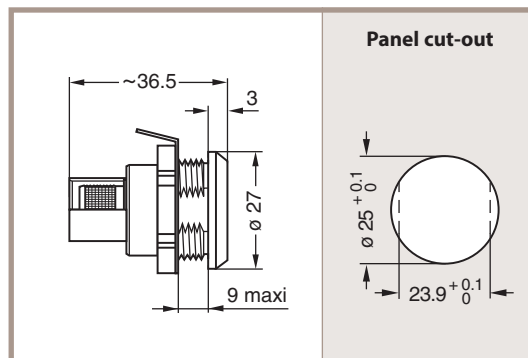
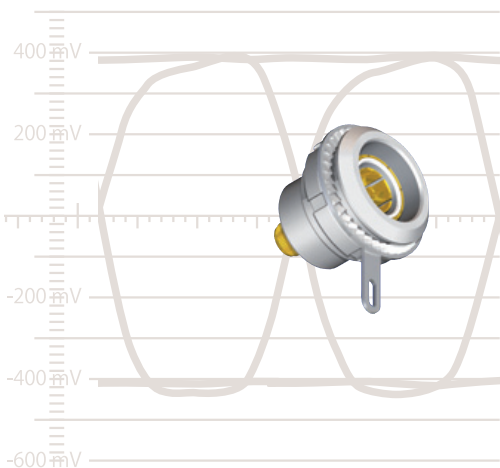


**FMZ Fixed socket, screw fixing, square flange**

**Crimp termination**

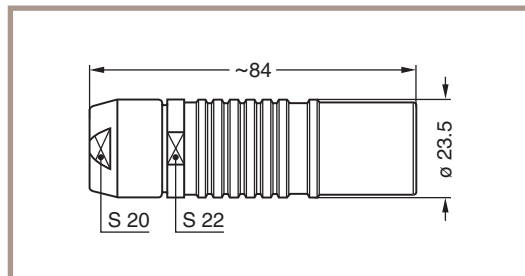
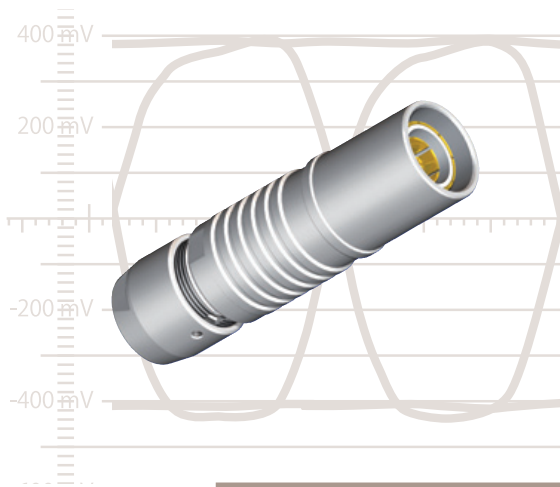
Part number	Cable group
FMZ.T7.675.CTL01S	<b>01</b>
FMZ.T7.675.CTL04S	<b>04</b>
FMZ.T7.675.CTL05S	<b>05</b>
FMZ.T7.675.CTL06S	<b>06</b>

**FLZ Fixed socket, nut fixing**

**Cable collet termination**

Part number	Cable group
FLZ.T7.675.CTL01C	<b>01</b>
FLZ.T7.675.CTL02C	<b>02</b>
FLZ.T7.675.CTL03C	<b>03</b>
FLZ.T7.675.CTL04C	<b>04</b>
FLZ.T7.675.CTL05C	<b>05</b>
FLZ.T7.675.CTL06C	<b>06</b>

**FLZ Fixed socket, nut fixing**

**Crimp termination**

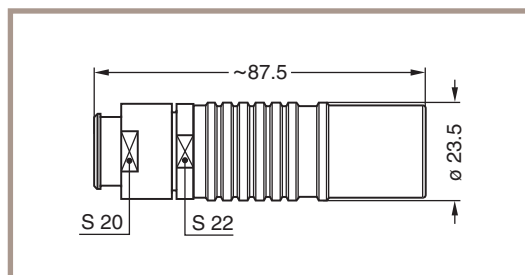
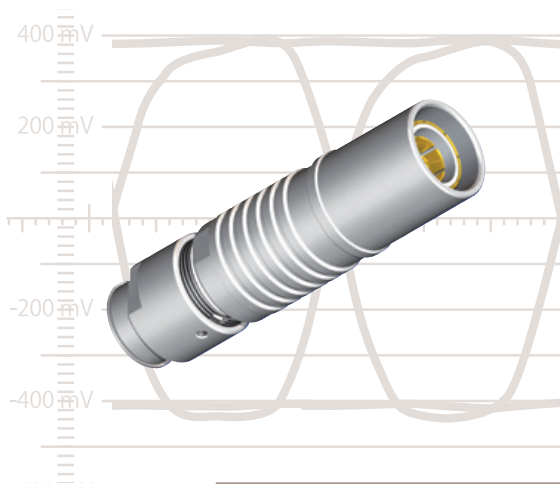
Part number	Cable group
FLZ.T7.675.CTL01S	<b>01</b>
FLZ.T7.675.CTL04S	<b>04</b>
FLZ.T7.675.CTL05S	<b>05</b>
FLZ.T7.675.CTL06S	<b>06</b>

**PCZ Free socket**

**Cable collet termination**

Part number	Cable group
PCZ.T7.675.CTL01C	<b>01</b>
PCZ.T7.675.CTL02C	<b>02</b>
PCZ.T7.675.CTL03C	<b>03</b>
PCZ.T7.675.CTL04C	<b>04</b>
PCZ.T7.675.CTL05C	<b>05</b>
PCZ.T7.675.CTL06C	<b>06</b>

**Crimp termination**

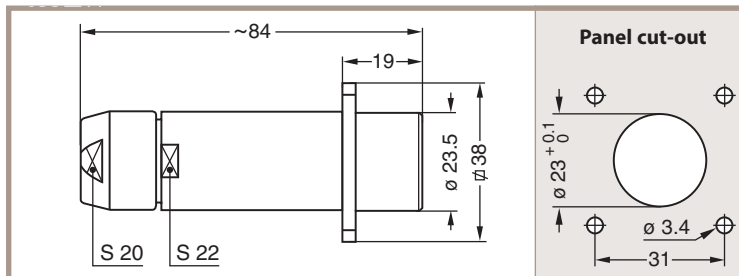
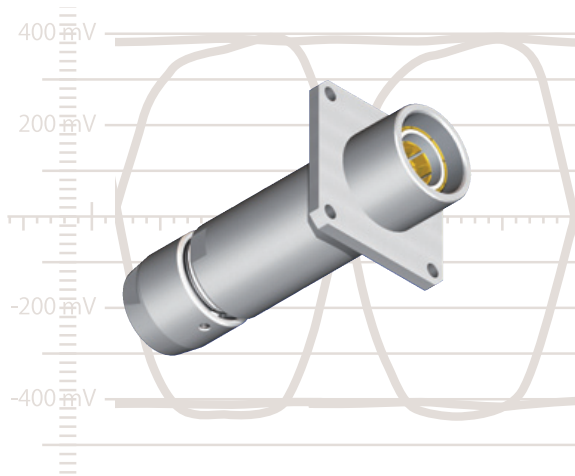
Part number	Cable group
PCZ.T7.675.CTL01S	<b>01</b>
PCZ.T7.675.CTL04S	<b>04</b>
PCZ.T7.675.CTL05S	<b>05</b>
PCZ.T7.675.CTL06S	<b>06</b>

**PCZ Free socket, nut for fitting a bend relief**

**Cable collet termination**

Part number	Cable group
PCZ.T7.675.CTL01CZ	<b>01</b>
PCZ.T7.675.CTL02CZ	<b>02</b>
PCZ.T7.675.CTL03CZ	<b>03</b>
PCZ.T7.675.CTL04CZ	<b>04</b>
PCZ.T7.675.CTL05CZ	<b>05</b>
PCZ.T7.675.CTL06CZ	<b>06</b>

**Crimp termination**

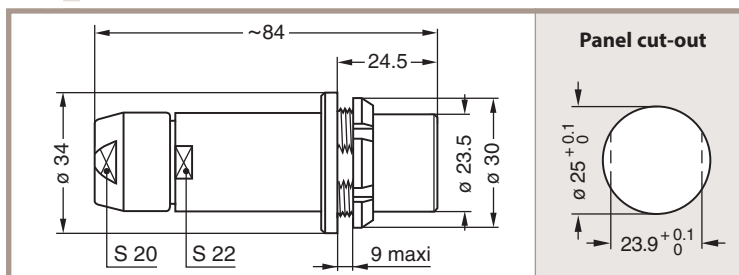
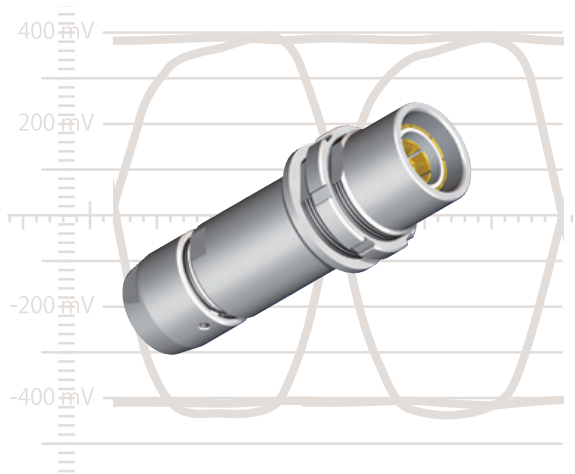
Part number	Cable group
PCZ.T7.675.CTL01SZ	<b>01</b>
PCZ.T7.675.CTL04SZ	<b>04</b>
PCZ.T7.675.CTL05SZ	<b>05</b>
PCZ.T7.675.CTL06SZ	<b>06</b>

**PTZ Free socket, screw fixing, square flange**

**Cable collet termination**

Part number	Cable group
PTZ.T7.675.CTL01C	<b>01</b>
PTZ.T7.675.CTL02C	<b>02</b>
PTZ.T7.675.CTL03C	<b>03</b>
PTZ.T7.675.CTL04C	<b>04</b>
PTZ.T7.675.CTL05C	<b>05</b>
PTZ.T7.675.CTL06C	<b>06</b>

**Crimp termination**

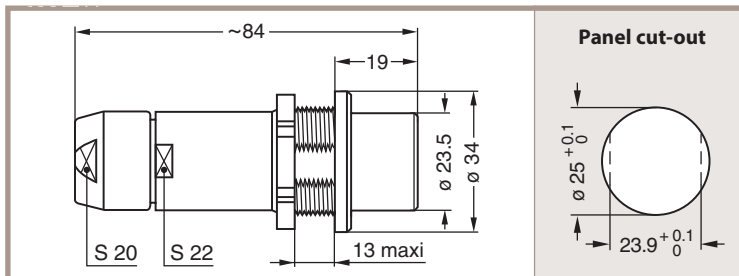
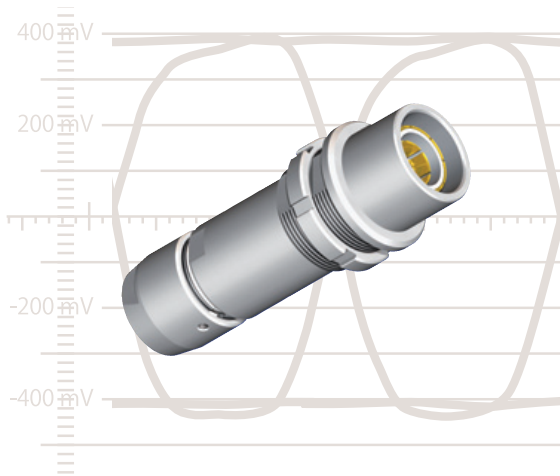
Part number	Cable group
PTZ.T7.675.CTL01S	<b>01</b>
PTZ.T7.675.CTL04S	<b>04</b>
PTZ.T7.675.CTL05S	<b>05</b>
PTZ.T7.675.CTL06S	<b>06</b>

**PAZ Free socket, nut fixing**

**Cable collet termination**

Part number	Cable group
PAZ.T7.675.CTL01C	<b>01</b>
PAZ.T7.675.CTL02C	<b>02</b>
PAZ.T7.675.CTL03C	<b>03</b>
PAZ.T7.675.CTL04C	<b>04</b>
PAZ.T7.675.CTL05C	<b>05</b>
PAZ.T7.675.CTL06C	<b>06</b>

**Crimp termination**

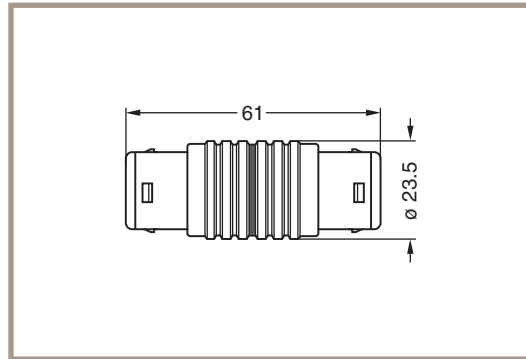
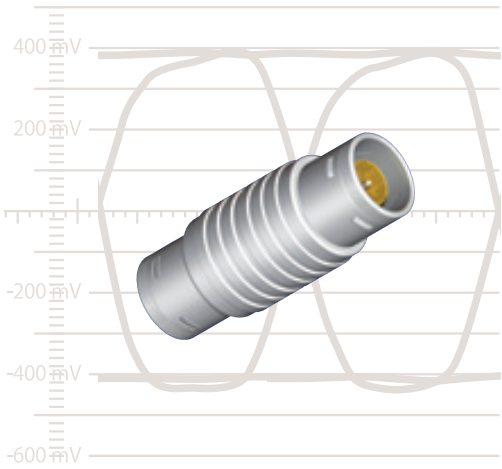
Part number	Cable group
PAZ.T7.675.CTL01S	<b>01</b>
PAZ.T7.675.CTL04S	<b>04</b>
PAZ.T7.675.CTL05S	<b>05</b>
PAZ.T7.675.CTL06S	<b>06</b>

**PSZ Free socket, nut fixing**

**Cable collet termination**

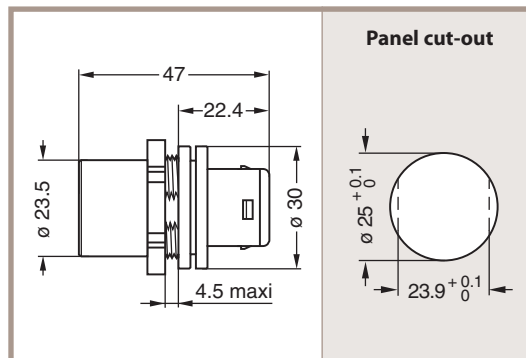
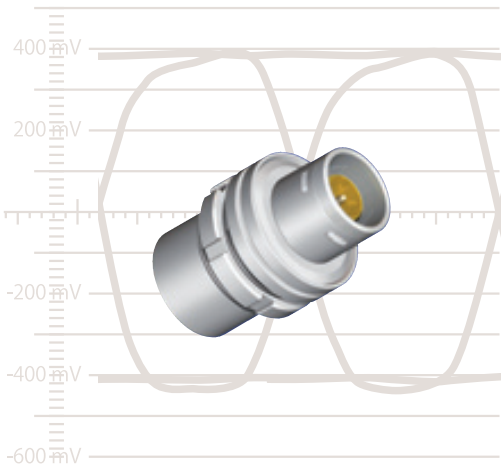
Part number	Cable group
PSZ.T7.675.CTL01C	<b>01</b>
PSZ.T7.675.CTL02C	<b>02</b>
PSZ.T7.675.CTL03C	<b>03</b>
PSZ.T7.675.CTL04C	<b>04</b>
PSZ.T7.675.CTL05C	<b>05</b>
PSZ.T7.675.CTL06C	<b>06</b>

**Crimp termination**

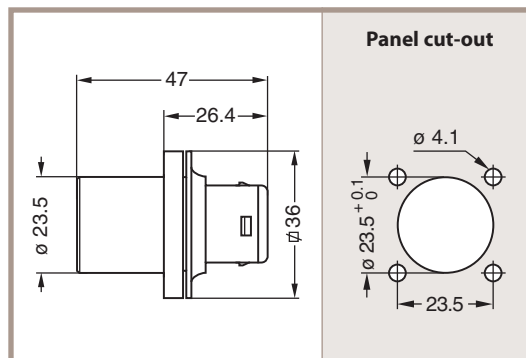
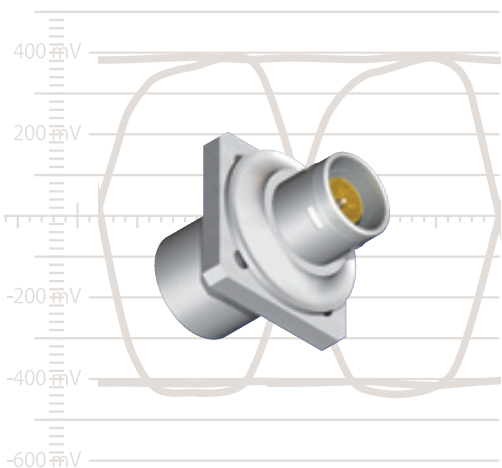
Part number	Cable group
PSZ.T7.675.CTL01S	<b>01</b>
PSZ.T7.675.CTL04S	<b>04</b>
PSZ.T7.675.CTL05S	<b>05</b>
PSZ.T7.675.CTL06S	<b>06</b>

**AFF Adaptor plug-plug**

**Part number**

AFF.T7.675.CTA

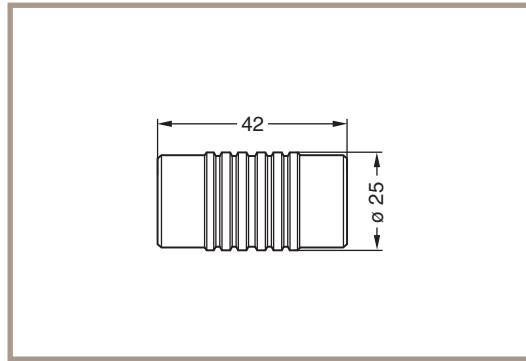
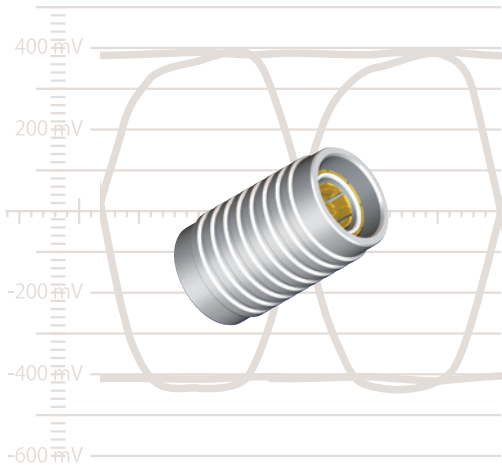
**ADF Adaptor**

**Part number**

ADF.T7.675.CTA

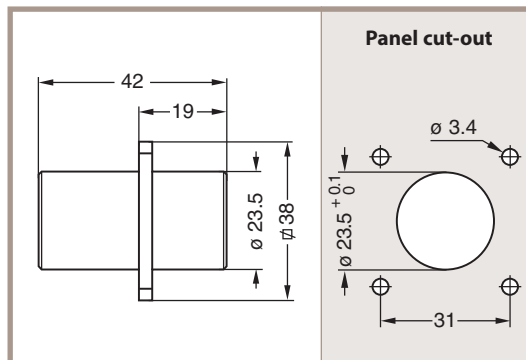
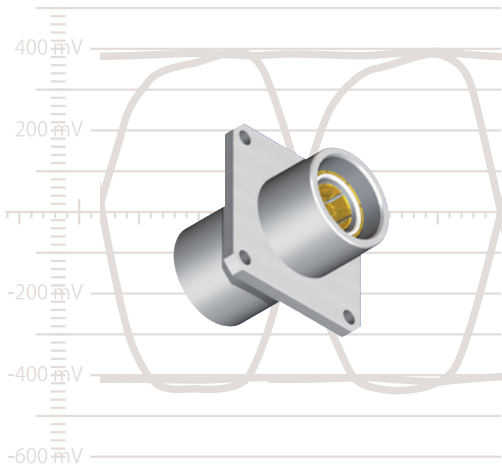
**ADZ Adaptor on FDZ model**

**Part number**

ADZ.T7.675.CTA

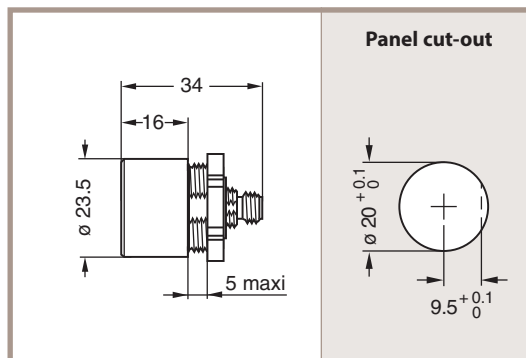
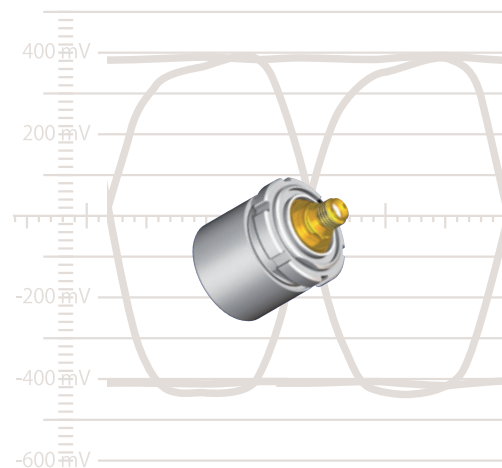


**AEE Adaptor socket-socket**

**Part number**

AEE.T7.675.CTL

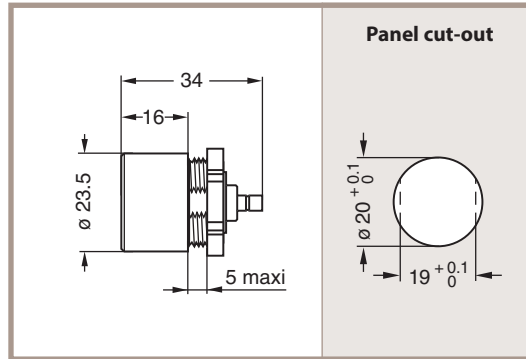
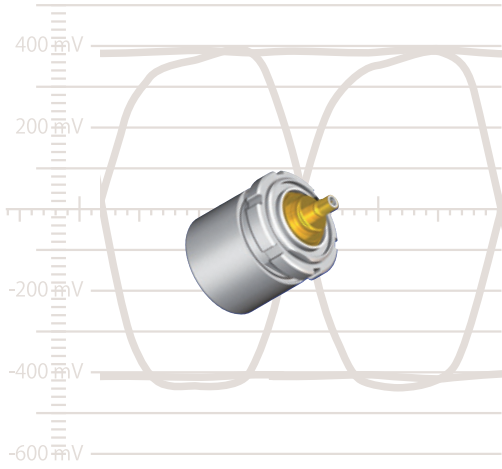
**AED Adaptor socket-socket**

**Part number**

AED.T7.675.CTL

**AMA Adaptor on SMA model**

**Part number**

AMA.T7.675.CTL

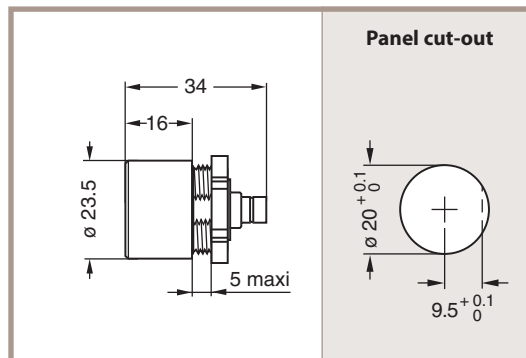
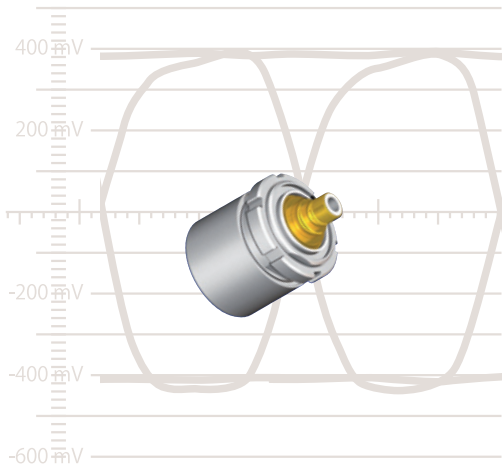
### AMB Adaptor on SMB model



**Part number**

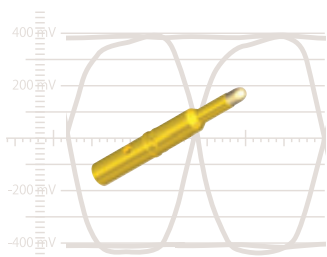
AMB.T7.675.CTL

### AMZ Adaptor on SMZ model



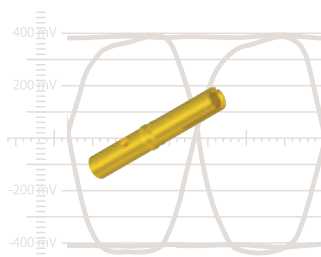
**Part number**

AMZ.T7.675.CTL

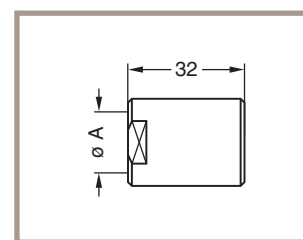
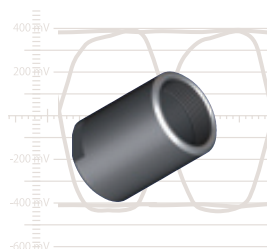
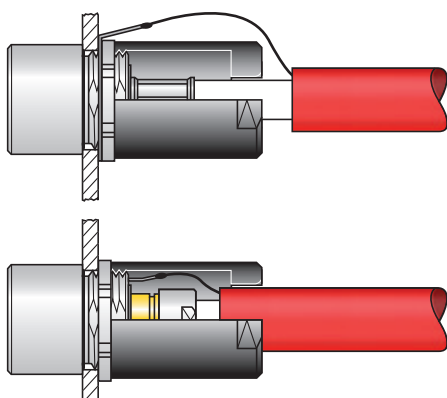
**FAZ Male contact**


**Note:**  
The pin of the contact is made of plastic, in order to protect it in case of accidental contact with a foreign body.

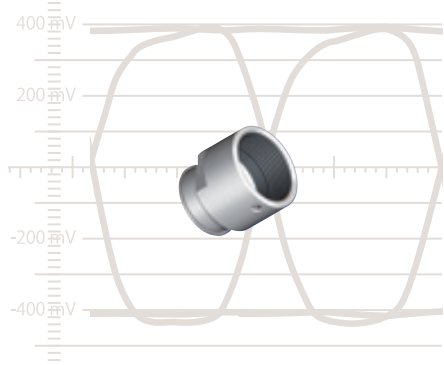
Part number	Cable group
FAZ.T7.525.BLL	01-02
FAZ.T7.526.BLL	03-04-05
FAZ.T7.527.BLL	06

**FNZ Female contact**


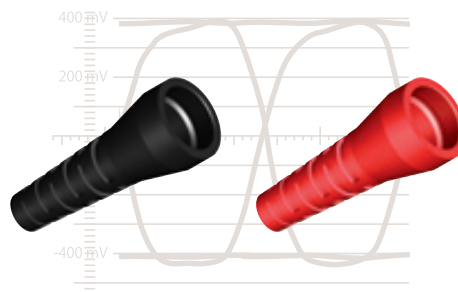
Part number	Cable group
FNZ.T7.625.BC	01-02
FNZ.T7.626.BC	03-04-05
FNZ.T7.627.BC	06

**FEZ Collet for cable retention**


Part number	$\varnothing A$ (mm)
FEZ.T7.130.BN	6.6
FEZ.T7.131.BN	8.8
FEZ.T7.132.BN	12.2
FEZ.T7.133.BN	14.6

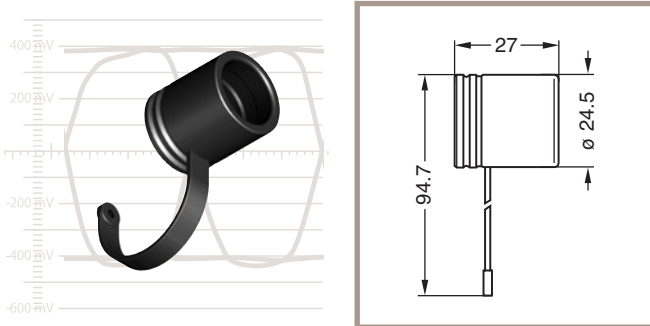
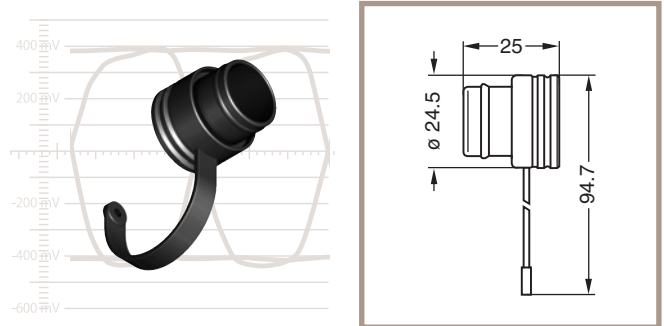
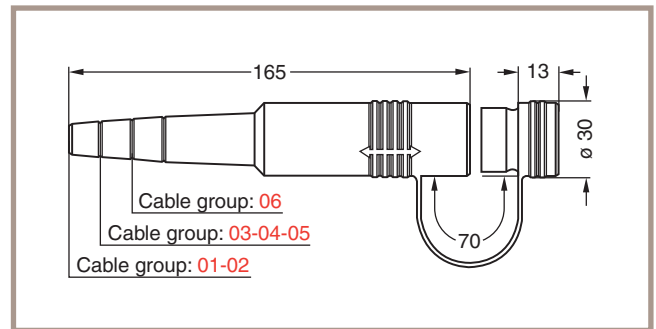
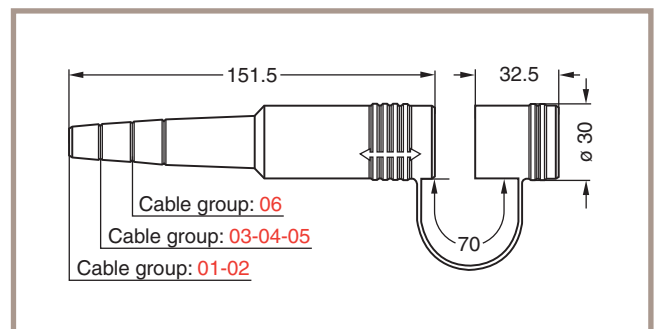
**FFZ Nut for fitting a bend relief**


Part number
FFZ.T7.130.LC

**GMA Bend relief**


**Note:**  
To obtain a red or black bend relief, change the position «●» of the part number to the corresponding letter «R» or «N».

Part number	Cable group
GMA.T7.080.D●	01-02
GMA.T7.011.D●	03-04-05
GMA.T7.013.D●	06

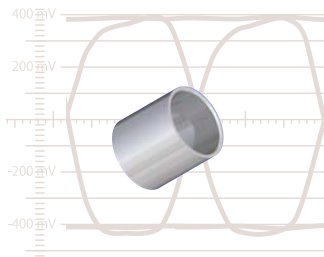
**BFA Cap for plug**

**Part number**
**BFA.T7.100.715EN**
**BEA Cap for socket**

**Part number**
**BEA.T7.100.715EN**
**FGA Bend relief with cap for plug**

**Part number**
**FGA.085.145.EN**
**FGR Bend relief with cap for free socket**

**Part number**
**FGR.085.145.EN**

**GEB Notched nut**

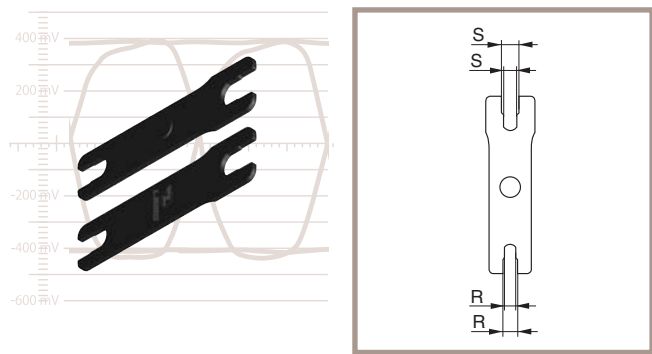

Part number	For models
GEB.T7.240.LN	FNZ, AMA, AMB, AMZ
GEB.T7.242.LN	FBZ, FEZ, FLZ, ADF
GEB.T7.243.LN	FCZ, FPZ
GEG.T7.240.LC	PAZ, PSZ

**GCA Earthing washer**

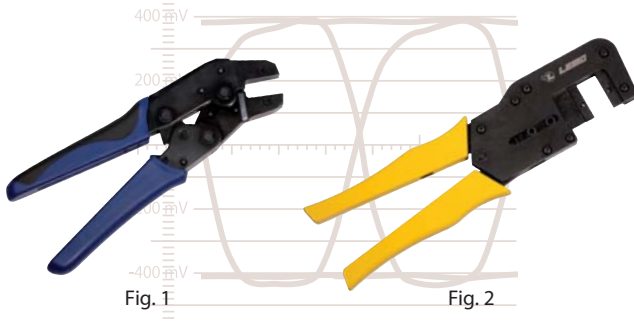

Part number	For models
GCA.2E.255.LT	FNZ
GCA.4S.255.LT	FBZ, FLZ
GCA.4E.255.LT	FCZ

**FAZ Crimping tube**


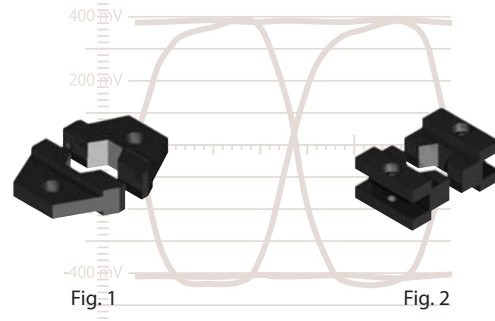
Part number	Cable group
FAZ.T7.163.LA	<b>01</b>
FAZ.T7.166.LA	<b>04</b>
FAZ.T7.167.LA	<b>05</b>
FAZ.T7.168.LA	<b>06</b>

**DCP Spanners**


Part number	R	S
DCP.T7.110.TN	11/10	13/12
DCP.T7.111.TN	14/13	22/20

**DPE-DPD Crimping tools pliers**


Part number	Cable group	Fig.
DPE.99.000.00	<b>01-04</b>	1
DPD.99.000.00	<b>05-06</b>	2

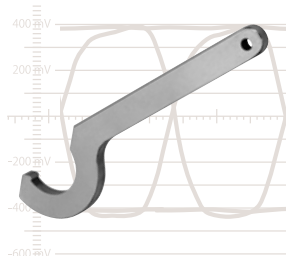
**DPE-DPU Dies**


Part number	Cable group	Fig.
DPN.91.009.0K (x2)	<b>01-04</b>	1
DPU.91.001.2K (x2)	<b>05-06</b>	2

**Kit Pliers + Dies: DPE.99.009.0K (01-04) – DPD.99.001.2K (05-06)**

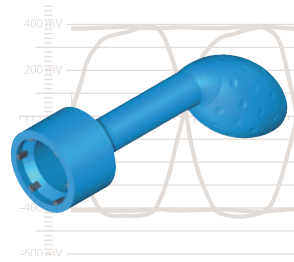


### FCP Spanner for notched nut



Part number	For models
FCP.025.AZ	FNZ, AMA, AMB, AMZ
FCP.030.AZ	FBZ, FEZ, FLZ, PAZ, PSZ, ADF
FCP.033.AZ	FCZ, FPZ

### DCH Spanner for conical and notched nut



Spanner part number	For model
DCH.91.301.PA	PAZ

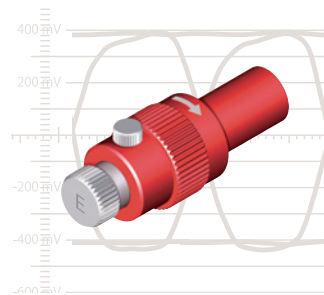
Nut part number	For model
GEG.T7.240.LN	PAZ

### DFC Assembly tool for plug

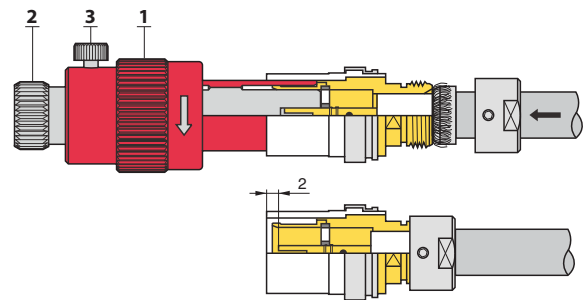
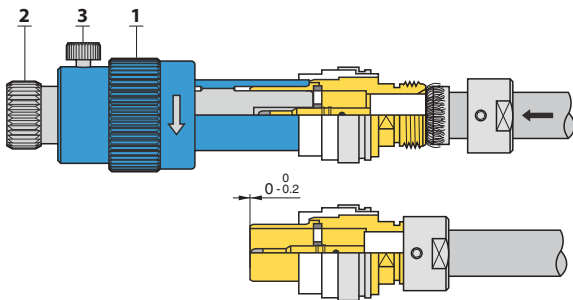


**Part number**  
DFC.T7.105.RA

### DEC Assembly tool for socket



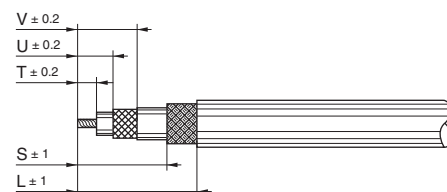
**Part number**  
DEC.T7.110.RR

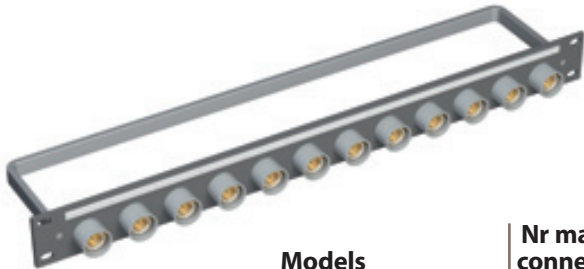


Insert the appropriate tool into the coaxial sleeve, screw the tool **1** until it butts, then screw the pin **2** until it butts up against the insulating washer and tighten the screw **3**.  
 Push forward the cable until the contact is positioned in the insulating washer.  
 Screw the collet nut and the safety nut with the appropriate spanners.  
 Once the tool is pulled out, check the position of the contacts.

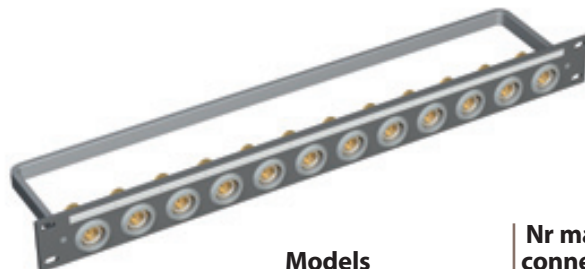
### Cable stripping length (mm)

Model	L	S	Solder		
			T	U	V
FAZ	38	30.5	6.5	14.5	18.5
PCZ	38	30.5	6.5	12.0	20.0



**PA• Patch panel 1 unit**


Models	Nr max. of connectors
<b>FN</b> FNZ socket	12



Models	Nr max. of connectors
<b>FL</b> FLZ socket	12

**PB• Patch panel 2 units**


Models	Nr max. of connectors
<b>FB</b> FBZ plug	12
<b>FC</b> FCZ plug	12
<b>FD</b> FDZ plug	12
<b>FE</b> FEZ plug	12
<b>FP</b> FPZ plug	12



Models	Nr max. of connectors
<b>FL</b> FLZ socket	24
<b>FM</b> FMZ socket	12
<b>FN</b> FNZ socket	24
<b>PA</b> PAZ socket	12
<b>PS</b> PSZ socket	12

Models	Nr max. of connectors
<b>PT</b> PTZ socket	12
<b>AD</b> ADF adaptor	12
<b>AD</b> ADZ adaptor	12
<b>AE</b> AED adaptor	12

**Part numbering system**

Patch panel **P B G . T 7 . 6 7 5 . F B 1 2 0 1 C**

Number of unit:

**A** = 1  
**B** = 2

Colour<sup>1)</sup>:

**G** = grey  
**N** = black  
**C** = beige  
**T** = anodized natural

Model of connectors

Collet type:  
**C** = collet clamp  
**S** = crimp

Cable group

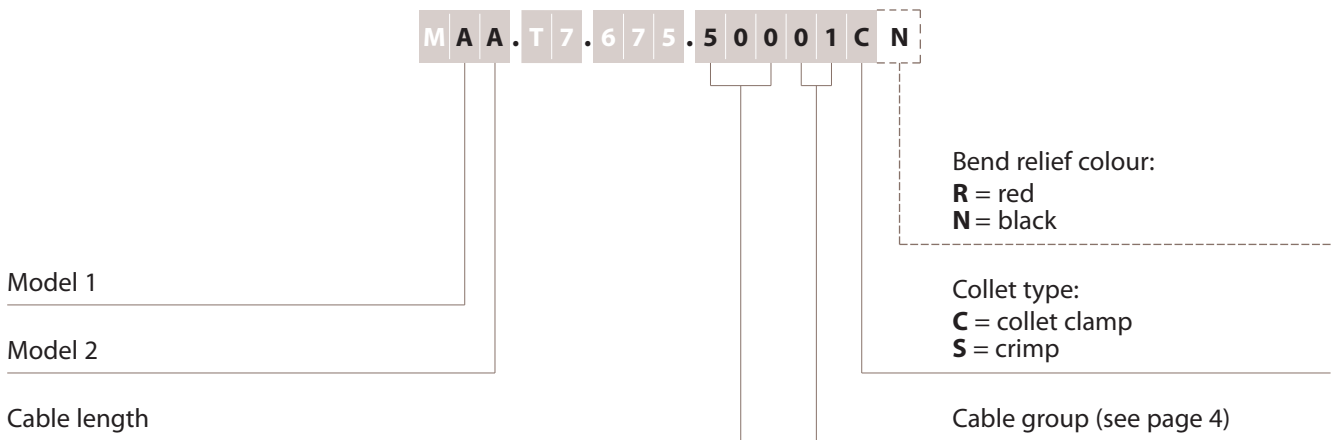
Number of connectors

**Example:**

**PBG.T7.675.FB1201C** = patch panel 2 units, grey colour, with 12 FBZ plugs with cable collet, T7 series, triaxial 75Ω, cable group 01 and C type collet.

**Note:** <sup>1)</sup> Others colours on request

## Cable assembly



### Example:

**MAA.T7.675.50001CN** = 2 plugs with black bend relief, mounted on a 50 m length cable, cable group 01 and cable clamping.

#### Models 1 and 2

<b>A</b>	FAZ plug
<b>B</b>	FBZ plug
<b>C</b>	FCZ plug
<b>D</b>	FDZ plug
<b>E</b>	FEZ plug
<b>P</b>	FPZ plug
<b>L</b>	FLZ socket

#### Models 1 and 2

<b>M</b>	FMZ socket
<b>N</b>	FNZ socket
<b>F</b>	PAZ socket
<b>G</b>	PCZ socket
<b>S</b>	PSZ socket
<b>T</b>	PTZ socket
<b>Z</b>	Without

#### Cable length

ex. from 0.1 to 99.9 m

<b>005</b>	0.5 m
<b>010</b>	1 m
<b>050</b>	5 m
<b>100</b>	10 m
<b>500</b>	50 m



## Triax fibre optic Meerkat™ converter

The camera is powered via a hybrid cable from the CCU with both the camera signals and the return monitor signals being digitally encoded and transmitted over fibre.

The SMPTE 311 hybrid cable uses the well proven technology of the LEMO 3K.93C series. If power from the CCU/OB van is not required, i. e. local power is available, a two fibre cable using 2 x FC-PC or 2 x SC may be used for signal transmission. Every triax-to-fibre Media Converter comes with power supply (110V/220V) adapter and its specific dongle (Sony® ou Grass Valley™).

### Applications

- Golf, skiing, auto racing
- Olympic games
- Pre-fibered venues
- Stadiums, racing tracks

### Avantages

- Plug & play solution
- Lightweight and portable, compact
- No need for bulky / heavy triax cables
- High quality signal transmitted over fibre
- LED functionality display

### Fonctions

- CE and FCC class B certified
- Immune to EMI
- NTSC & PAL
- Digital encoding and transmission
- Portable device
- No repeaters needed

### Liste of compatible cameras

- Sony® SD / Grass Valley™ SD
- Grass Valley™ HD

Please contact LEMO for the list of models

Specifications	Value
I/O ports	Triax 75 Ω LEMO-3K.93C (HDTV)
DC in	LEMO 0K series, 2 pin transform.
Dimensions	125 W x 270 L x 50 H
Mass (approx.)	2 kg
Power requirem. 1)	100 to 120 Vac, 50/60 HZ
Power requirem. 2)	220 to 240 Vac, 50/60 HZ
Power consumption	16 W
Operating voltage	12 Vdc / 1.5 A max
Operating temp.	-20° C to +55° C

Specifications	Value
Humidity	Up to +95 %
Index protection	IP 66 (when mated)
Optical RX sensivity	- 3 dB to -21 dB
Data rate	2 x 2.5 GB/s
Optical Tx output	200 μW (250 μW max)
Transm. wavelength	1310 nm / 1550 nm
Fuse	4 x 4 Amp Wickmann TR5
AC/DC power supply	2 with UK, USA, Europe adaptors

**Notes:** 1) For North America, Japan and areas of South America. 2) For Europe, Africa, Australia, Scandinavia and China.

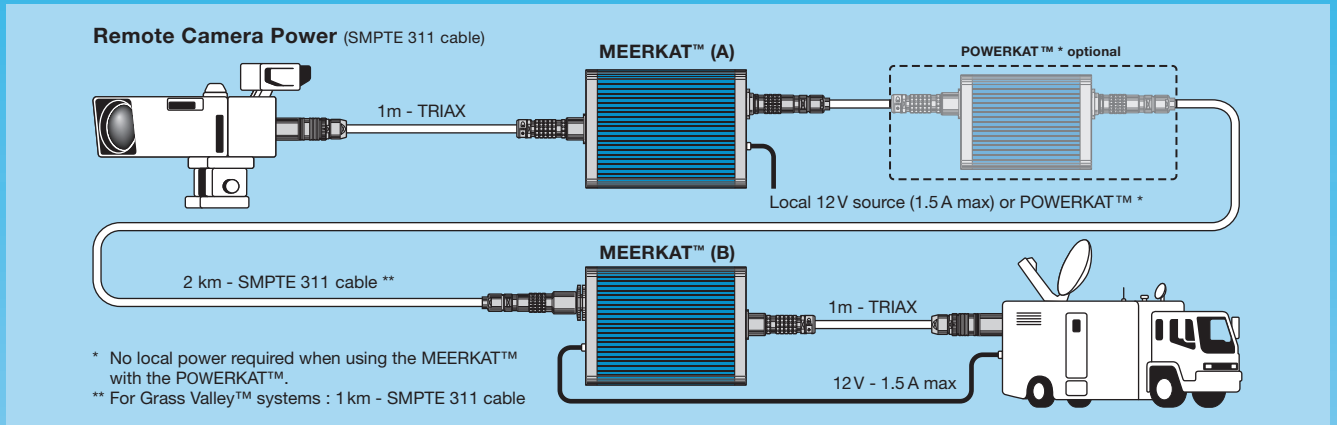
Part Nr of the MEERKAT™ (A) on the camera side	Electrical triax connector on cable	Camera system
PHW.MT.3KC.TFWP10	FAZ.T7.675.CTA01C	Sony® SD / Grass Valley™ SD
PHW.MT.3TH.TFWP10	FAZ.T7.675.CTA01C	Grass Valley™ HD

Part Nr of the MEERKAT™ (B) on the CCU side	Electrical triax connector on cable	Camera system
FGW.MT.3KC.TPWP10	PCZ.T7.675.CTL01C	Sony® SD / Grass Valley™ SD
FGW.MT.3TH.TPWP10	PCZ.T7.675.CTL01C	Grass Valley™ HD



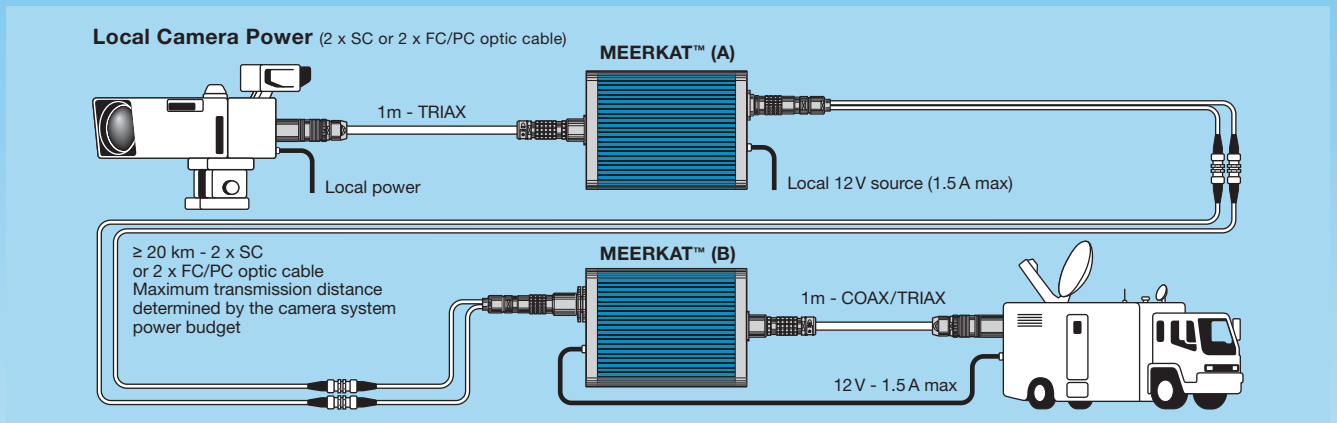
### Option 1 - Remote Camera Power

With the Remote Camera Power setup, the camera is powered directly through the SMPTE 311 cable. The useable cable length of the SMPTE 311 cables is limited by the resistance of the copper power conductors and will vary between cables from different cable manufacturers. However distances of up to 2 km are achievable (for Sony® based systems only).



### Option 2 - Local Camera Power

With the Local Camera Power setup, the camera is powered with its AC or DC voltage from a local source of power either - a generator or a power pack.







**LEMO SA**, Headquarters, Ecublens, Switzerland



**Engineering Office**



**VSWR test laboratory**



**Endurance test**



**Surface treatment, chrome plating**



**Surface treatment, gold plating**



**Plating test laboratory**



**Automatic assembly, insulators + contacts**



**Automatic assembly, fixed sockets**



**Manual assembly**





**LEMOS SA, Delémont, Switzerland**



**CNC screw machining, single-spindle**



**CNC screw machining, multi-spindle**



**Drilling, CNC milling**



**Automatic reworking of female contacts**



**Manual reworking**



**Injection of insulators**





**REDEL SA, Sainte-Croix, Switzerland**



**CNC screw machining, single-spindle**



**Automatic screw machining of contacts**



**Mechanics, electric discharge machining**



**Plastic moulding**



**3D testing jig**



**Manual assembly**



**Ultrasonic welding of sockets**





**COELVER SA**, Lonay, Switzerland



**Clean room, assembly of fibre optic contacts**



**Clean room, inspection of fibre optic assembly**



**Manual assembly**



**Inspection of fibre optic polishing**



**Cable assembly**



**Over-moulding on cable**





**REDEL Kft**, Budapest, Hungary



**CNC screw machining, single-spindle**



**Cam screw machining, single-spindle**



**Cam screw machining, multi-spindle**



**CNC screw machining, multi-spindle**



**Surface treatment, gold plating**



**Plastic moulding of bend reliefs**



**Manual assembly**



## LEMO HEADQUARTERS (SWITZERLAND)

### LEMO SA

Chemin des Champs-Courbes 28 - P.O. Box 194 - CH-1024 Ecublens  
 Tel: (+41 21) 695 16 00 - Fax: (+41 21) 695 16 02 - e-mail: [info@lemo.com](mailto:info@lemo.com) - [www.lemo.com](http://www.lemo.com)

## LEMO SUBSIDIARIES

### AUSTRIA

**LEMO Elektronik GesmbH**  
 Lemböckgasse 49/E6-3  
 1230 Wien  
 Tel: (+43 1) 914 23 20 0  
 Fax: (+43 1) 914 23 20 11  
[sales@lemo.at](mailto:sales@lemo.at)

### CANADA

**LEMO Canada Inc**  
 44 East Beaver Creek Road, unit 20  
 Richmond Hill, Ontario L4B 1G8  
 Tel: (+1 905) 889 56 78  
 Fax: (+1 905) 889 49 70  
[info-canada@lemo.com](mailto:info-canada@lemo.com)

### CHINA / HONG KONG

**LEMO Electronics (Shanghai) Co., Ltd**  
 5th Floor, Block 6, City of ELITE,  
 1000 Jinhai Road, Pudong  
 Shanghai, China 201206  
 Tel: (+86 21) 5899 7721  
 Fax: (+86 21) 5899 7727  
[cn.sales@lemo.com](mailto:cn.sales@lemo.com)

### DENMARK

**LEMO Denmark A/S**  
 Gammel Mosevej 46  
 2820 Gentofte  
 Tel: (+45) 45 20 44 00  
 Fax: (+45) 45 20 44 01  
[info-dk@lemo.com](mailto:info-dk@lemo.com)

### FRANCE

**LEMO France Sàrl**  
 24/28 Avenue Graham Bell  
 Bâtiment Balthus 4  
 Bussy Saint Georges  
 77607 Marne la Vallée Cedex 3  
 Tel: (+33 1) 60 94 60 94  
 Fax: (+33 1) 60 94 60 90  
[info-fr@lemo.com](mailto:info-fr@lemo.com)

### GERMANY

**LEMO Elektronik GmbH**  
 Hanns-Schwindt-Str. 6  
 81829 München  
 Tel: (+49 89) 42 77 03  
 Fax: (+49 89) 420 21 92  
[info@lemo.de](mailto:info@lemo.de)

### HUNGARY

**REDEL Elektronika Kft**  
 Nagysándor József u. 6-12  
 1201 Budapest  
 Tel: (+36 1) 421 47 10  
 Fax: (+36 1) 421 47 57  
[info-hu@lemo.com](mailto:info-hu@lemo.com)

### ITALY

**LEMO Italia srl**  
 Viale Lunigiana 25  
 20125 Milano  
 Tel: (+39 02) 66 71 10 46  
 Fax: (+39 02) 66 71 10 66  
[sales.it@lemo.com](mailto:sales.it@lemo.com)

### JAPAN

**LEMO Japan Ltd**  
 2-7-22, Mita,  
 Minato-ku, Tokyo, 108-0073  
 Tel: (+81 3) 54 46 55 10  
 Fax: (+81 3) 54 46 55 11  
[lemoinfo@lemo.co.jp](mailto:lemoinfo@lemo.co.jp)

### NETHERLANDS / BELGIUM

**LEMO Connectors Benelux**  
 De Trompet 1060  
 1967 DA Heemskerk  
 Tel: (+31) 251 25 78 20  
 Fax: (+31) 251 25 78 21  
[info@lemo.nl](mailto:info@lemo.nl)

### NORWAY / ICELAND

**LEMO Norway A/S**  
 Stansveien 6B  
 0975 Oslo  
 Tel: (+47) 22 91 70 40  
 Fax: (+47) 22 91 70 41  
[info-no@lemo.com](mailto:info-no@lemo.com)

### SINGAPORE

**LEMO Asia Pte Ltd**  
 4 Leng Kee Road,  
 #06-09 SiS Building  
 Singapore 159088  
 Tel: (+65) 6476 0672  
 Fax: (+65) 6474 0672  
[sg.sales@lemo.com](mailto:sg.sales@lemo.com)

### SPAIN / PORTUGAL

**IBERLEMO SAU**  
 Brasil, 45, 08402 Granollers  
 Barcelona  
 Tel: (+34 93) 860 44 20  
 Fax: (+34 93) 879 10 77  
[info-es@lemo.com](mailto:info-es@lemo.com)

### SWEDEN / FINLAND

**LEMO Nordic AB**  
 Mariehällsvägen 39A  
 168 65 Bromma  
 Tel: (+46 8) 635 60 60  
 Fax: (+46 8) 635 60 61  
[info-se@lemo.com](mailto:info-se@lemo.com)

### SWITZERLAND

**LEMO Verkauf AG**  
 Grundstrasse 22 B  
 6343 Rotkreuz  
 Tel: (+41 41) 790 49 40  
 Fax: (+41 41) 790 49 43  
[ch.sales@lemo.com](mailto:ch.sales@lemo.com)

### UNITED KINGDOM

**LEMO UK Ltd**  
 12-20 North Street, Worthing  
 West Sussex, BN11 1DU  
 Tel: (+44 1903) 23 45 43  
 Fax: (+44 1903) 20 62 31  
[lemouk@lemo.com](mailto:lemouk@lemo.com)

### USA

**LEMO USA Inc**  
 P.O. Box 2408  
 Rohnert Park, CA 94927-2408  
 Tel: (+1 707) 578 88 11  
 (+1 800) 444 53 66  
 Fax: (+1 707) 578 08 69  
[info@lemousa.com](mailto:info@lemousa.com)

## DISTRIBUTORS

AUSTRALIA, BRAZIL, CHILE,  
 CZECH REPUBLIC, GREECE, INDIA,  
 ISRAEL, NEW ZEALAND, PAKISTAN,  
 POLAND, RUSSIA, SOUTH AFRICA,  
 SOUTH KOREA, TAIWAN, TURKEY,  
 UKRAINE

## US REPRESENTATIVES

