

CMOS 32-BIT SINGLE CHIP MICROCONTROLLER

S1C31W74
Technical Manual

NOTICE

No part of this material may be reproduced or duplicated in any form or by any means without the written permission of Seiko Epson. Seiko Epson reserves the right to make changes to this material without notice. Seiko Epson does not assume any liability of any kind arising out of any inaccuracies contained in this material or due to its application or use in any product or circuit and, further, there is no representation that this material is applicable to products requiring high level reliability, such as, medical products. Moreover, no license to any intellectual property rights is granted by implication or otherwise, and there is no representation or warranty that anything made in accordance with this material will be free from any patent or copyright infringement of a third party. When exporting the products or technology described in this material, you should comply with the applicable export control laws and regulations and follow the procedures required by such laws and regulations. You are requested not to use, to resell, to export and/or to otherwise dispose of the products (and any technical information furnished, if any) for the development and/or manufacture of weapon of mass destruction or for other military purposes.

ARM and Cortex are registered trademarks of ARM Limited (or its subsidiaries) in the EU and/or elsewhere. All rights reserved.
All brands or product names mentioned herein are trademarks and/or registered trademarks of their respective companies.

Preface

This is a technical manual for designers and programmers who develop a product using the S1C31W74. This document describes the functions of the IC, embedded peripheral circuit operations, and their control methods.

Notational conventions and symbols in this manual

Register address

Peripheral circuit chapters do not provide control register addresses. Refer to “Peripheral Circuit Area” in the “Memory and Bus” chapter or “List of Peripheral Circuit Control Registers” in the Appendix.

Register and control bit names

In this manual, the register and control bit names are described as shown below to distinguish from signal and pin names.

XXX register: Represents a register including its all bits.

XXX.YYY bit: Represents the one control bit YYY in the XXX register.

XXX.ZZZ[1:0] bits: Represents the two control bits ZZZ1 and ZZZ0 in the XXX register.

Register table contents and symbols

Initial: Value set at initialization

Reset: Initialization condition. The initialization condition depends on the reset group (H0, H1, or S0). For more information on the reset groups, refer to “Initialization Conditions (Reset Groups)” in the “Power Supply, Reset, and Clocks” chapter.

R/W: R = Read only bit

W = Write only bit

WP = Write only bit with a write protection using the SYSPROT.PROT[15:0] bits

R/W = Read/write bit

R/WP = Read/write bit with a write protection using the SYSPROT.PROT[15:0] bits

Control bit read/write values

This manual describes control bit values in a hexadecimal notation except for one-bit values (and except when decimal or binary notation is required in terms of explanation). The values are described as shown below according to the control bit width.

1 bit: 0 or 1

2 to 4 bits: 0x0 to 0xf

5 to 8 bits: 0x00 to 0xff

9 to 12 bits: 0x000 to 0xfff

13 to 16 bits: 0x0000 to 0xffff

Decimal: 0 to 9999...

Binary: 0b0000... to 0b1111...

Channel number

Multiple channels may be implemented in some peripheral circuits (e.g., 16-bit timer, etc.). The peripheral circuit chapters use ‘n’ as the value that represents the channel number in the register and pin names regardless of the number of channel actually implemented. Normally, the descriptions are applied to all channels. If there is a channel that has different functions from others, the channel number is specified clearly.

Example) T16_nCTL register of the 16-bit timer

If one channel is implemented (Ch.0 only): T16_nCTL = T16_0CTL only

If two channels are implemented (Ch.0 and Ch.1): T16_nCTL = T16_0CTL and T16_1CTL

For the number of channels implemented in the peripheral circuits of this IC, refer to “Features” in the “Overview” chapter.

Low power mode

This manual describes the low power modes as HALT mode and SLEEP mode. These terms refer to sleep mode and deep sleep mode in the Cortex[®]-M0+ processor, respectively.

– Contents –

Preface.....	i
Notational conventions and symbols in this manual	i
1 Overview.....	1-1
1.1 Features	1-1
1.2 Block Diagram.....	1-3
1.3 Pins	1-4
1.3.1 Pin Configuration Diagram.....	1-4
1.3.2 Pad Configuration Diagram	1-5
1.3.3 Pin Descriptions.....	1-7
2 Power Supply, Reset, and Clocks	2-1
2.1 Power Generator (PWGA)	2-1
2.1.1 Overview	2-1
2.1.2 Pins.....	2-1
2.1.3 V _{D1} Regulator Operation Mode.....	2-2
2.1.4 V _{D1} Regulator Voltage Mode.....	2-2
2.2 System Reset Controller (SRC).....	2-3
2.2.1 Overview	2-3
2.2.2 Input Pin.....	2-3
2.2.3 Reset Sources	2-4
2.2.4 Initialization Conditions (Reset Groups).....	2-4
2.3 Clock Generator (CLG).....	2-5
2.3.1 Overview	2-5
2.3.2 Input/Output Pins	2-6
2.3.3 Clock Sources	2-7
2.3.4 Operations	2-8
2.4 Operating Mode	2-13
2.4.1 Initial Boot Sequence.....	2-13
2.4.2 Transition between Operating Modes.....	2-13
2.5 Interrupts.....	2-15
2.6 Control Registers	2-15
PWGA Control Register.....	2-15
CLG System Clock Control Register.....	2-16
CLG Oscillation Control Register	2-17
CLG IOSC Control Register	2-18
CLG OSC1 Control Register	2-18
CLG OSC3 Control Register	2-20
CLG Interrupt Flag Register	2-20
CLG Interrupt Enable Register	2-21
CLG FOUT Control Register.....	2-22
3 CPU and Debugger	3-1
3.1 Overview	3-1
3.2 CPU Core.....	3-1
3.3 Debugger	3-1
3.3.1 List of debugger input/output pins	3-1
3.3.2 External Connection	3-1
4 Memory and Bus	4-1
4.1 Overview	4-1
4.2 Bus Access Cycle	4-2

4.3	Flash Memory	4-2
4.3.1	Flash Memory Pin	4-2
4.3.2	Flash Bus Access Cycle Setting	4-2
4.3.3	Flash Programming	4-2
4.4	RAM	4-3
4.5	Display Data RAM	4-3
4.6	Peripheral Circuit Control Registers	4-3
4.6.1	System-Protect Function	4-9
4.7	Instruction Cache	4-9
4.8	Memory Mapped Access Area For External Flash Memory	4-9
4.9	Control Registers	4-9
System Protect Register		4-9
CACHE Control Register		4-10
FLASHC Flash Read Cycle Register		4-10
5	Interrupt.....	5-1
5.1	Overview	5-1
5.2	Vector Table	5-1
5.2.1	Vector Table Offset Address (VTOR)	5-3
5.2.2	Priority of Interrupts	5-3
5.3	Peripheral Circuit Interrupt Control	5-3
5.4	NMI.....	5-4
6	DMA Controller (DMAC).....	6-1
6.1	Overview	6-1
6.2	Operations	6-2
6.2.1	Initialization	6-2
6.3	Priority	6-2
6.4	Data Structure	6-2
6.4.1	Transfer Source End Pointer	6-3
6.4.2	Transfer Destination End Pointer	6-3
6.4.3	Control Data.....	6-4
6.5	DMA Transfer Mode	6-5
6.5.1	Basic Transfer	6-5
6.5.2	Auto-Request Transfer.....	6-5
6.5.3	Ping-Pong Transfer	6-6
6.5.4	Memory Scatter-Gather Transfer	6-7
6.5.5	Peripheral Scatter-Gather Transfer	6-8
6.6	DMA Transfer Cycle	6-9
6.7	Interrupts.....	6-9
6.8	Control Registers	6-10
DMAC Status Register		6-10
DMAC Configuration Register		6-10
DMAC Control Data Base Pointer		6-11
DMAC Alternate Control Data Base Pointer Register		6-11
DMAC Software Request Register		6-11
DMAC Request Mask Set Register		6-11
DMAC Request Mask Clear Register		6-12
DMAC Enable Set Register		6-12
DMAC Enable Clear Register		6-12
DMAC Primary-Alternate Set Register		6-12
DMAC Primary-Alternate Clear Register		6-13
DMAC Priority Set Register		6-13
DMAC Priority Clear Register		6-13

CONTENTS

DMAC Error Interrupt Flag Register	6-13
DMAC Transfer Completion Interrupt Flag Register.....	6-14
DMAC Transfer Completion Interrupt Enable Set Register	6-14
DMAC Transfer Completion Interrupt Enable Clear Register	6-14
DMAC Error Interrupt Enable Set Register.....	6-14
DMAC Error Interrupt Enable Clear Register.....	6-15
7 I/O Ports (PPORT).....	7-1
7.1 Overview	7-1
7.2 I/O Cell Structure and Functions.....	7-2
7.2.1 Schmitt Input	7-2
7.2.2 Over Voltage Tolerant Fail-Safe Type I/O Cell.....	7-2
7.2.3 Pull-Up/Pull-Down	7-2
7.2.4 CMOS Output and High Impedance State	7-3
7.3 Clock Settings.....	7-3
7.3.1 PPORT Operating Clock.....	7-3
7.3.2 Clock Supply in SLEEP Mode	7-3
7.3.3 Clock Supply During Debugging	7-3
7.4 Operations	7-3
7.4.1 Initialization.....	7-3
7.4.2 Port Input/Output Control.....	7-5
7.5 Interrupts.....	7-6
7.6 Control Registers	7-6
Px Port Data Register	7-6
Px Port Enable Register	7-7
Px Port Pull-up/down Control Register	7-7
Px Port Interrupt Flag Register.....	7-8
Px Port Interrupt Control Register	7-8
Px Port Chattering Filter Enable Register.....	7-8
Px Port Mode Select Register	7-8
Px Port Function Select Register	7-9
P Port Clock Control Register	7-9
P Port Interrupt Flag Group Register.....	7-10
7.7 Control Register and Port Function Configuration of this IC	7-11
7.7.1 P0 Port Group.....	7-11
7.7.2 P1 Port Group.....	7-12
7.7.3 P2 Port Group.....	7-13
7.7.4 P3 Port Group.....	7-14
7.7.5 P4 Port Group.....	7-15
7.7.6 P5 Port Group.....	7-16
7.7.7 P6 Port Group.....	7-17
7.7.8 P7 Port Group.....	7-18
7.7.9 P8 Port Group.....	7-19
7.7.10 P9 Port Group.....	7-20
7.7.11 Pd Port Group.....	7-21
7.7.12 Common Registers between Port Groups.....	7-22
8 Universal Port Multiplexer (UPMUX).....	8-1
8.1 Overview	8-1
8.2 Peripheral Circuit I/O Function Assignment.....	8-1
8.3 Control Registers	8-2
Pxy–xz Universal Port Multiplexer Setting Register.....	8-2
9 Watchdog Timer (WDT2).....	9-1
9.1 Overview	9-1

9.2	Clock Settings.....	9-1
9.2.1	WDT2 Operating Clock.....	9-1
9.2.2	Clock Supply in DEBUG Mode.....	9-1
9.3	Operations	9-2
9.3.1	WDT2 Control	9-2
9.3.2	Operations in HALT and SLEEP Modes.....	9-3
9.4	Control Registers	9-3
	WDT2 Clock Control Register	9-3
	WDT2 Control Register	9-4
	WDT2 Counter Compare Match Register	9-4
10	Real-Time Clock (RTCA).....	10-1
10.1	Overview	10-1
10.2	Output Pin and External Connection	10-1
10.2.1	Output Pin.....	10-1
10.3	Clock Settings.....	10-2
10.3.1	RTCA Operating Clock	10-2
10.3.2	Theoretical Regulation Function	10-2
10.4	Operations	10-3
10.4.1	RTCA Control	10-3
10.4.2	Real-Time Clock Counter Operations.....	10-4
10.4.3	Stopwatch Control.....	10-4
10.4.4	Stopwatch Count-up Pattern	10-4
10.5	Interrupts.....	10-5
10.6	Control Registers	10-6
	RTCA Control Register (Low Byte).....	10-6
	RTCA Control Register (High Byte)	10-7
	RTCA Second Alarm Register	10-7
	RTCA Hour/Minute Alarm Register	10-8
	RTCA Stopwatch Control Register.....	10-8
	RTCA Second/1Hz Register.....	10-9
	RTCA Hour/Minute Register.....	10-10
	RTCA Month/Day Register	10-11
	RTCA Year/Week Register.....	10-11
	RTCA Interrupt Flag Register	10-12
	RTCA Interrupt Enable Register	10-13
11	Supply Voltage Detector (SVD2).....	11-1
11.1	Overview	11-1
11.2	Input Pin and External Connection	11-2
11.2.1	Input Pin.....	11-2
11.2.2	External Connection	11-2
11.3	Clock Settings.....	11-2
11.3.1	SVD2 Operating Clock.....	11-2
11.3.2	Clock Supply in SLEEP Mode	11-2
11.3.3	Clock Supply During Debugging	11-3
11.4	Operations	11-3
11.4.1	SVD2 Control	11-3
11.4.2	SVD2 Operations	11-4
11.5	SVD2 Interrupt and Reset	11-5
11.5.1	SVD2 Interrupt	11-5
11.5.2	SVD2 Reset.....	11-5
11.6	Control Registers	11-6
	SVD2 Ch. <i>n</i> Clock Control Register	11-6

CONTENTS

SVD2 Ch. <i>n</i> Control Register.....	11-6
SVD2 Ch. <i>n</i> Status and Interrupt Flag Register.....	11-8
SVD2 Ch. <i>n</i> Interrupt Enable Register.....	11-8
12 16-bit Timers (T16).....	12-1
12.1 Overview	12-1
12.2 Input Pin.....	12-1
12.3 Clock Settings.....	12-2
12.3.1 T16 Operating Clock.....	12-2
12.3.2 Clock Supply in SLEEP Mode	12-2
12.3.3 Clock Supply During Debugging	12-2
12.3.4 Event Counter Clock.....	12-2
12.4 Operations	12-2
12.4.1 Initialization	12-2
12.4.2 Counter Underflow	12-3
12.4.3 Operations in Repeat Mode.....	12-3
12.4.4 Operations in One-shot Mode.....	12-3
12.4.5 Counter Value Read.....	12-4
12.5 Interrupt.....	12-4
12.6 Control Registers	12-4
T16 Ch. <i>n</i> Clock Control Register	12-4
T16 Ch. <i>n</i> Mode Register	12-5
T16 Ch. <i>n</i> Control Register.....	12-5
T16 Ch. <i>n</i> Reload Data Register.....	12-6
T16 Ch. <i>n</i> Counter Data Register.....	12-6
T16 Ch. <i>n</i> Interrupt Flag Register.....	12-6
T16 Ch. <i>n</i> Interrupt Enable Register.....	12-7
13 UART (UART2).....	13-1
13.1 Overview	13-1
13.2 Input/Output Pins and External Connections	13-2
13.2.1 List of Input/Output Pins.....	13-2
13.2.2 External Connections	13-2
13.2.3 Input Pin Pull-Up Function.....	13-2
13.2.4 Output Pin Open-Drain Output Function	13-2
13.2.5 Input/Output Signal Inverting Function.....	13-2
13.3 Clock Settings.....	13-2
13.3.1 UART2 Operating Clock	13-2
13.3.2 Clock Supply in SLEEP Mode	13-3
13.3.3 Clock Supply During Debugging	13-3
13.3.4 Baud Rate Generator.....	13-3
13.4 Data Format	13-3
13.5 Operations	13-4
13.5.1 Initialization	13-4
13.5.2 Data Transmission	13-5
13.5.3 Data Reception.....	13-6
13.5.4 IrDA Interface.....	13-7
13.6 Receive Errors.....	13-8
13.6.1 Framing Error	13-8
13.6.2 Parity Error.....	13-9
13.6.3 Overrun Error	13-9
13.7 Interrupts.....	13-9
13.8 DMA Transfer Requests	13-9
13.9 Control Registers	13-10

UART2 Ch. <i>n</i> Clock Control Register	13-10
UART2 Ch. <i>n</i> Mode Register	13-11
UART2 Ch. <i>n</i> Baud-Rate Register	13-12
UART2 Ch. <i>n</i> Control Register	13-12
UART2 Ch. <i>n</i> Transmit Data Register	13-13
UART2 Ch. <i>n</i> Receive Data Register	13-13
UART2 Ch. <i>n</i> Status and Interrupt Flag Register	13-13
UART2 Ch. <i>n</i> Interrupt Enable Register.....	13-14
UART2 Ch. <i>n</i> Transmit Buffer Empty DMA Request Enable Register	13-15
UART2 Ch. <i>n</i> Receive Buffer One Byte Full DMA Request Enable Register.....	13-15
14 Synchronous Serial Interface (SPIA).....	14-1
14.1 Overview	14-1
14.2 Input/Output Pins and External Connections	14-2
14.2.1 List of Input/Output Pins.....	14-2
14.2.2 External Connections	14-2
14.2.3 Pin Functions in Master Mode and Slave Mode.....	14-3
14.2.4 Input Pin Pull-Up/Pull-Down Function	14-3
14.3 Clock Settings.....	14-3
14.3.1 SPIA Operating Clock.....	14-3
14.3.2 Clock Supply During Debugging	14-4
14.3.3 SPI Clock (SPICLK _{<i>n</i>}) Phase and Polarity	14-4
14.4 Data Format	14-5
14.5 Operations	14-5
14.5.1 Initialization	14-5
14.5.2 Data Transmission in Master Mode	14-6
14.5.3 Data Reception in Master Mode.....	14-8
14.5.4 Terminating Data Transfer in Master Mode.....	14-10
14.5.5 Data Transfer in Slave Mode.....	14-10
14.5.6 Terminating Data Transfer in Slave Mode	14-11
14.6 Interrupts.....	14-12
14.7 DMA Transfer Requests	14-13
14.8 Control Registers	14-13
SPIA Ch. <i>n</i> Mode Register	14-13
SPIA Ch. <i>n</i> Control Register	14-14
SPIA Ch. <i>n</i> Transmit Data Register	14-15
SPIA Ch. <i>n</i> Receive Data Register	14-15
SPIA Ch. <i>n</i> Interrupt Flag Register	14-15
SPIA Ch. <i>n</i> Interrupt Enable Register	14-16
SPIA Ch. <i>n</i> Transmit Buffer Empty DMA Request Enable Register.....	14-16
SPIA Ch. <i>n</i> Receive Buffer Full DMA Request Enable Register	14-16
15 Quad Synchronous Serial Interface (QSPI)	15-1
15.1 Overview	15-1
15.2 Input/Output Pins and External Connections	15-2
15.2.1 List of Input/Output Pins.....	15-2
15.2.2 External Connections	15-2
15.2.3 Pin Functions in Master Mode and Slave Mode.....	15-6
15.2.4 Input Pin Pull-Up/Pull-Down Function	15-6
15.3 Clock Settings.....	15-6
15.3.1 QSPI Operating Clock	15-6
15.3.2 Clock Supply During Debugging	15-7
15.3.3 QSPI Clock (QSPICLK _{<i>n</i>}) Phase and Polarity	15-7
15.4 Data Format	15-8
15.5 Operations	15-9

CONTENTS

15.5.1 Register Access Mode.....	15-9
15.5.2 Memory Mapped Access Mode	15-10
15.5.3 Initialization	15-11
15.5.4 Data Transmission in Master Mode	15-12
15.5.5 Data Reception in Register Access Master Mode.....	15-14
15.5.6 Data Reception in Memory Mapped Access Mode.....	15-17
15.5.7 Terminating Memory Mapped Access Operations	15-25
15.5.8 Terminating Data Transfer in Master Mode.....	15-25
15.5.9 Data Transfer in Slave Mode.....	15-26
15.5.10 Terminating Data Transfer in Slave Mode	15-27
15.6 Interrupts.....	15-27
15.7 DMA Transfer Requests	15-28
15.8 Control Registers	15-29
QSPI Ch. <i>n</i> Mode Register	15-29
QSPI Ch. <i>n</i> Control Register	15-31
QSPI Ch. <i>n</i> Transmit Data Register	15-32
QSPI Ch. <i>n</i> Receive Data Register	15-32
QSPI Ch. <i>n</i> Interrupt Flag Register.....	15-32
QSPI Ch. <i>n</i> Interrupt Enable Register.....	15-33
QSPI Ch. <i>n</i> Transmit Buffer Empty DMA Request Enable Register	15-33
QSPI Ch. <i>n</i> Receive Buffer Full DMA Request Enable Register.....	15-34
QSPI Ch. <i>n</i> FIFO Data Ready DMA Request Enable Register	15-34
QSPI Ch. <i>n</i> Memory Mapped Access Configuration Register 1	15-34
QSPI Ch. <i>n</i> Remapping Start Address High Register	15-35
QSPI Ch. <i>n</i> Memory Mapped Access Configuration Register 2	15-35
QSPI Ch. <i>n</i> Mode Byte Register.....	15-37
16 I²C (I2C).....	16-1
16.1 Overview	16-1
16.2 Input/Output Pins and External Connections	16-2
16.2.1 List of Input/Output Pins.....	16-2
16.2.2 External Connections	16-2
16.3 Clock Settings.....	16-3
16.3.1 I2C Operating Clock	16-3
16.3.2 Clock Supply During Debugging	16-3
16.3.3 Baud Rate Generator.....	16-3
16.4 Operations	16-4
16.4.1 Initialization	16-4
16.4.2 Data Transmission in Master Mode	16-5
16.4.3 Data Reception in Master Mode.....	16-7
16.4.4 10-bit Addressing in Master Mode	16-10
16.4.5 Data Transmission in Slave Mode.....	16-11
16.4.6 Data Reception in Slave Mode	16-13
16.4.7 Slave Operations in 10-bit Address Mode.....	16-15
16.4.8 Automatic Bus Clearing Operation.....	16-15
16.4.9 Error Detection.....	16-16
16.5 Interrupts.....	16-17
16.6 DMA Transfer Requests	16-18
16.7 Control Registers	16-18
I2C Ch. <i>n</i> Clock Control Register.....	16-18
I2C Ch. <i>n</i> Mode Register.....	16-19
I2C Ch. <i>n</i> Baud-Rate Register.....	16-19
I2C Ch. <i>n</i> Own Address Register	16-20
I2C Ch. <i>n</i> Control Register	16-20
I2C Ch. <i>n</i> Transmit Data Register.....	16-21

I2C Ch. <i>n</i> Receive Data Register.....	16-21
I2C Ch. <i>n</i> Status and Interrupt Flag Register.....	16-22
I2C Ch. <i>n</i> Interrupt Enable Register.....	16-23
I2C Ch. <i>n</i> Transmit Buffer Empty DMA Request Enable Register.....	16-24
I2C Ch. <i>n</i> Receive Buffer Full DMA Request Enable Register.....	16-24
17 16-bit PWM Timers (T16B).....	17-1
17.1 Overview.....	17-1
17.2 Input/Output Pins.....	17-2
17.3 Clock Settings.....	17-3
17.3.1 T16B Operating Clock.....	17-3
17.3.2 Clock Supply in SLEEP Mode.....	17-3
17.3.3 Clock Supply During Debugging.....	17-3
17.3.4 Event Counter Clock.....	17-3
17.4 Operations.....	17-4
17.4.1 Initialization.....	17-4
17.4.2 Counter Block Operations.....	17-5
17.4.3 Comparator/Capture Block Operations.....	17-8
17.4.4 TOUT Output Control.....	17-17
17.5 Interrupt.....	17-23
17.6 DMA Transfer Requests.....	17-23
17.7 Control Registers.....	17-23
T16B Ch. <i>n</i> Clock Control Register.....	17-23
T16B Ch. <i>n</i> Counter Control Register.....	17-24
T16B Ch. <i>n</i> Max Counter Data Register.....	17-25
T16B Ch. <i>n</i> Timer Counter Data Register.....	17-25
T16B Ch. <i>n</i> Counter Status Register.....	17-26
T16B Ch. <i>n</i> Interrupt Flag Register.....	17-27
T16B Ch. <i>n</i> Interrupt Enable Register.....	17-28
T16B Ch. <i>n</i> Comparator/Capture <i>m</i> Control Register.....	17-29
T16B Ch. <i>n</i> Compare/Capture <i>m</i> Data Register.....	17-31
T16B Ch. <i>n</i> Counter Max/Zero DMA Request Enable Register.....	17-32
T16B Ch. <i>n</i> Compare/Capture <i>m</i> DMA Request Enable Register.....	17-32
18 Sound Generator (SNDA).....	18-1
18.1 Overview.....	18-1
18.2 Output Pins and External Connections.....	18-2
18.2.1 List of Output Pins.....	18-2
18.2.2 Output Pin Drive Mode.....	18-2
18.2.3 External Connections.....	18-2
18.3 Clock Settings.....	18-3
18.3.1 SNDA Operating Clock.....	18-3
18.3.2 Clock Supply in SLEEP Mode.....	18-3
18.3.3 Clock Supply in DEBUG Mode.....	18-3
18.4 Operations.....	18-3
18.4.1 Initialization.....	18-3
18.4.2 Buzzer Output in Normal Buzzer Mode.....	18-3
18.4.3 Buzzer Output in One-shot Buzzer Mode.....	18-6
18.4.4 Output in Melody Mode.....	18-7
18.5 Interrupts.....	18-9
18.6 DMA Transfer Requests.....	18-10
18.7 Control Registers.....	18-10
SNDA Clock Control Register.....	18-10
SNDA Select Register.....	18-11
SNDA Control Register.....	18-12

CONTENTS

SNDA Data Register	18-12
SNDA Interrupt Flag Register	18-13
SNDA Interrupt Enable Register	18-13
SNDA Sound Buffer Empty DMA Request Enable Register	18-14
19 IR Remote Controller (REMC2)	19-1
19.1 Overview	19-1
19.2 Input/Output Pins and External Connections	19-1
19.2.1 Output Pin	19-1
19.2.2 External Connections	19-2
19.3 Clock Settings	19-2
19.3.1 REMC2 Operating Clock	19-2
19.3.2 Clock Supply in SLEEP Mode	19-2
19.3.3 Clock Supply During Debugging	19-2
19.4 Operations	19-2
19.4.1 Initialization	19-2
19.4.2 Data Transmission Procedures	19-3
19.4.3 REMO Output Waveform	19-3
19.4.4 Continuous Data Transmission and Compare Buffers	19-5
19.5 Interrupts	19-6
19.6 Application Example: Driving EL Lamp	19-7
19.7 Control Registers	19-7
REMC2 Clock Control Register	19-7
REMC2 Data Bit Counter Control Register	19-8
REMC2 Data Bit Counter Register	19-9
REMC2 Data Bit Active Pulse Length Register	19-10
REMC2 Data Bit Length Register	19-10
REMC2 Status and Interrupt Flag Register	19-10
REMC2 Interrupt Enable Register	19-11
REMC2 Carrier Waveform Register	19-11
REMC2 Carrier Modulation Control Register	19-11
20 LCD Driver (LCD32B)	20-1
20.1 Overview	20-1
20.2 Output Pins and External Connections	20-2
20.2.1 List of Output Pins	20-2
20.2.2 External Connections	20-2
20.3 Clock Settings	20-3
20.3.1 LCD32B Operating Clock	20-3
20.3.2 Clock Supply in SLEEP Mode	20-3
20.3.3 Clock Supply During Debugging	20-3
20.3.4 Frame Frequency	20-3
20.4 LCD Power Supply	20-6
20.4.1 Internal Generation Mode	20-6
20.4.2 External Voltage Application Mode	20-6
20.4.3 LCD Voltage Regulator Settings	20-7
20.4.4 LCD Voltage Booster Setting	20-7
20.4.5 LCD Contrast Adjustment	20-7
20.5 Operations	20-7
20.5.1 Initialization	20-7
20.5.2 Display On/Off	20-8
20.5.3 Inverted Display	20-8
20.5.4 Drive Duty Switching	20-8
20.5.5 Drive Waveforms	20-10

20.5.6	Partial Common Output Drive.....	20-16
20.5.7	n-Segment-Line Inverse AC Drive	20-16
20.6	Display Data RAM	20-17
20.6.1	Display Area Selection	20-17
20.6.2	Segment Pin Assignment	20-17
20.6.3	Common Pin Assignment	20-17
20.7	Interrupt.....	20-26
20.8	Control Registers	20-26
LCD32B	Clock Control Register.....	20-26
LCD32B	Control Register	20-27
LCD32B	Timing Control Register 1	20-27
LCD32B	Timing Control Register 2	20-28
LCD32B	Power Control Register.....	20-28
LCD32B	Display Control Register	20-29
LCD32B	COM Pin Control Registers 0 and 1	20-30
LCD32B	Interrupt Flag Register	20-31
LCD32B	Interrupt Enable Register	20-31
21	R/F Converter (RFC).....	21-1
21.1	Overview	21-1
21.2	Input/Output Pins and External Connections	21-2
21.2.1	List of Input/Output Pins.....	21-2
21.2.2	External Connections	21-2
21.3	Clock Settings.....	21-3
21.3.1	RFC Operating Clock.....	21-3
21.3.2	Clock Supply in SLEEP Mode	21-3
21.3.3	Clock Supply in DEBUG Mode.....	21-3
21.4	Operations	21-3
21.4.1	Initialization	21-3
21.4.2	Operating Modes.....	21-4
21.4.3	RFC Counters	21-4
21.4.4	Converting Operations and Control Procedure	21-5
21.4.5	CR Oscillation Frequency Monitoring Function	21-7
21.5	Interrupts.....	21-7
21.6	Control Registers	21-8
RFC Ch. <i>n</i>	Clock Control Register	21-8
RFC Ch. <i>n</i>	Control Register.....	21-8
RFC Ch. <i>n</i>	Oscillation Trigger Register.....	21-9
RFC Ch. <i>n</i>	Measurement Counter Low and High Registers	21-10
RFC Ch. <i>n</i>	Time Base Counter Low and High Registers	21-10
RFC Ch. <i>n</i>	Interrupt Flag Register	21-11
RFC Ch. <i>n</i>	Interrupt Enable Register.....	21-11
22	USB 2.0 FS Device Controller (USB, USBMISC)	22-1
22.1	Overview	22-1
22.2	Input/Output Pins and External Connections	22-2
22.2.1	List of Input/Output Pins.....	22-2
22.2.2	External Connections	22-2
22.3	Clock Settings.....	22-3
22.4	USB Power Supply	22-4
22.5	Operations	22-4
22.5.1	Initialization	22-4
22.5.2	Settings when V _{BUS} is Disconnected	22-6
22.5.3	Transaction Control.....	22-7

CONTENTS

22.5.4 Control Transfer	22-9
22.5.5 Bulk Transfer/Interrupt Transfer	22-11
22.5.6 Data Flow Control	22-12
22.5.7 Auto-Negotiation Function	22-13
22.5.8 Description by Negotiation Function	22-15
22.5.9 FIFO Management	22-18
22.5.10 Snooze	22-20
22.6 Interrupts	22-21
22.7 DMA Transfer Requests	22-22
22.8 Control Registers	22-22
USB Control Register	22-22
USB Transceiver Control Register	22-24
USB Status Register	22-24
USB Endpoint Control Register	22-25
USB General-Purpose Endpoint FIFO Clear Register	22-25
USB FIFO Read Cycle Setup Register	22-26
USB Revision Number Register	22-26
USB EP0 Setup Data Registers 0-7	22-26
USB Address Register	22-27
USB EP0 Configuration Register	22-27
USB EP0 Maximum Packet Size Register	22-27
USB EP0 IN Transaction Control Register	22-28
USB EP0 OUT Transaction Control Register	22-29
USB EP m Control Registers	22-30
USB EP m Configuration Registers	22-31
USB EP m Maximum Packet Size Registers	22-32
USB Read FIFO Select Register	22-32
USB Write FIFO Select Register	22-33
USB FIFO Read/Write Enable Register	22-33
USB Remaining FIFO Data Count Register	22-34
USB Remaining FIFO Space Count Register	22-34
USB Debug RAM Address Register	22-34
USB Main Interrupt Flag Register	22-34
USB SIE Interrupt Flag Register	22-35
USB General-Purpose Endpoint Interrupt Flag Register	22-36
USB EP0 Interrupt Flag Register	22-36
USB EP m Interrupt Flag Registers	22-37
USB Main Interrupt Enable Register	22-38
USB SIE Interrupt Enable Register	22-38
USB General-Purpose Endpoint Interrupt Enable Register	22-39
USB EP0 Interrupt Enable Register	22-39
USB EP m Interrupt Enable Registers	22-40
USB FIFO Data Register	22-41
USB Debug RAM Data Register	22-41
USB Misc Control Register	22-41
USB FIFO Write DMA Request Enable Register	22-43
USB FIFO Read DMA Request Enable Register	22-43
23 Electrical Characteristics	23-1
23.1 Absolute Maximum Ratings	23-1
23.2 Recommended Operating Conditions	23-1
23.3 Current Consumption	23-2
23.4 System Reset Controller (SRC) Characteristics	23-4
23.5 Clock Generator (CLG) Characteristics	23-5
23.6 Flash Memory Characteristics	23-6
23.7 Input/Output Port (PPORT) Characteristics	23-7

23.8	Supply Voltage Detector (SVD2) Characteristics	23-7
23.9	UART (UART2) Characteristics	23-9
23.10	Synchronous Serial Interface (SPIA) Characteristics	23-9
23.11	Quad Synchronous Serial Interface (QSPI) Characteristics	23-11
23.12	I ² C (I2C) Characteristics	23-12
23.13	LCD Driver (LCD32B) Characteristics	23-12
23.14	R/F Converter (RFC) Characteristics	23-15
23.15	USB 2.0 FS Device Controller (USB) Characteristics	23-16
24	Basic External Connection Diagram	24-1
25	Package	25-1
Appendix A	List of Peripheral Circuit Control Registers	AP-A-1
	0x4000 0000 System Register (SYS)	AP-A-1
	0x4000 0020 Power Generator (PWGA)	AP-A-1
	0x4000 0040–0x4000 0050 Clock Generator (CLG)	AP-A-1
	0x4000 0080 Cache Controller (CACHE)	AP-A-2
	0x4000 00a0–0x4000 00a4 Watchdog Timer (WDT2)	AP-A-2
	0x4000 00c0–0x4000 00d2 Real-time Clock (RTCA)	AP-A-3
	0x4000 0100–0x4000 0106 Supply Voltage Detector (SVD2) Ch.0	AP-A-4
	0x4000 0160–0x4000 016c 16-bit Timer (T16) Ch.0	AP-A-5
	0x4000 01b0 Flash Controller (FLASHC)	AP-A-5
	0x4000 0200–0x4000 02e2 I/O Ports (PPORT)	AP-A-5
	0x4000 0300–0x4000 031e Universal Port Multiplexer (UPMUX)	AP-A-11
	0x4000 0380–0x4000 0392 UART (UART2) Ch.0	AP-A-12
	0x4000 03a0–0x4000 03ac 16-bit Timer (T16) Ch.1	AP-A-13
	0x4000 03b0–0x4000 03be Synchronous Serial Interface (SPIA) Ch.0	AP-A-14
	0x4000 03c0–0x4000 03d6 I ² C (I2C) Ch.0	AP-A-15
	0x4000 0400–0x4000 041c 16-bit PWM Timer (T16B) Ch.0	AP-A-16
	0x4000 0440–0x4000 045c 16-bit PWM Timer (T16B) Ch.1	AP-A-17
	0x4000 0480–0x4000 048c 16-bit Timer (T16) Ch.3	AP-A-19
	0x4000 0600–0x4000 0612 UART (UART2) Ch.1	AP-A-19
	0x4000 0680–0x4000 068c 16-bit Timer (T16) Ch.2	AP-A-21
	0x4000 0690–0x4000 06a8 Quad Synchronous Serial Interface (QSPI) Ch.0	AP-A-21
	0x4000 06c0–0x4000 06d6 I ² C (I2C) Ch.1	AP-A-22
	0x4000 0700–0x4000 070c Sound Generator (SNDA)	AP-A-24
	0x4000 0720–0x4000 0732 IR Remote Controller (REMC2)	AP-A-24
	0x4000 0800–0x4000 0812 LCD Driver (LCD32B)	AP-A-25
	0x4000 0840–0x4000 0850 R/F Converter (RFC) Ch.0	AP-A-26
	0x2040 0000–0x2040 0104,	
	0x4000 0970–0x4000 0976 USB 2.0 FS Device Controller (USB, USBMISC)	AP-A-27
	0x4000 0980–0x4000 0986 Supply Voltage Detector (SVD2) Ch.1	AP-A-32
	0x4000 1000–0x4000 2014 DMA Controller (DMAC)	AP-A-33
Appendix B	Power Saving	AP-B-1
	B.1 Operating Status Configuration Examples for Power Saving	AP-B-1
	B.2 Other Power Saving Methods	AP-B-2
Appendix C	Mounting Precautions	AP-C-1
Appendix D	Measures Against Noise	AP-D-1
	Revision History	

1 Overview

The S1C31W74 is a 32-bit MCU with an ARM® Cortex®-M0+ processor included that features low-power operation. It incorporates a lot of serial interface circuits and is suitable for various kinds of battery-driven controller applications.

1.1 Features

Table 1.1.1 Features

Model	S1C31W74
CPU	
CPU core	ARM® 32-bit RISC CPU core Cortex®-M0+
Other	Serial-wire debug ports (SW-DP) and a micro trace buffer (MTB) included
Embedded Flash memory	
Capacity	512K bytes (for both instructions and data)
Erase/program count	1,000 times (min.) * When being programmed by the dedicated flash loader
Other	On-board programming function Flash programming voltage can be generated internally.
Embedded RAMs	
General-purpose RAM	128K bytes (shared with MTB)
Display RAM	704 bytes
Instruction cache	512 bytes
DMA Controller (DMAC)	
Number of channels	4 channels
Data transfer path	Memory to memory, memory to peripheral, and peripheral to memory
Transfer mode	Basic, ping-pong, scatter-gather
DMA trigger source	UART2, SPIA, QSPI, I2C, USB, T16B, SNDA, and software
Clock generator (CLG)	
System clock source	4 sources (IOSC/OSC1/OSC3/EXOSC)
System clock frequency (operating frequency)	V _{D1} voltage mode = mode0: 21 MHz (max.) V _{D1} voltage mode = mode1: 2.1 MHz (max.)
IOSC oscillator circuit (boot clock source)	V _{D1} voltage mode = mode0: 20/16/12/8/2/1 MHz (typ.) software selectable V _{D1} voltage mode = mode1: 2/1 MHz (typ.) software selectable 10 μs (max.) starting time (time from cancelation of SLEEP state to vector table read by the CPU)
OSC1 oscillator circuit	32.768 kHz (typ.) crystal oscillator Oscillation stop detection circuit included
OSC3 oscillator circuit	20.5 MHz (max.) crystal/ceramic oscillator
EXOSC clock input	21 MHz (max.) square or sine wave input
Other	Configurable system clock division ratio Configurable system clock used at wake up from SLEEP state Operating clock frequency for the CPU and all peripheral circuits is selectable.
I/O port (PPORT)	
Number of general-purpose I/O ports	71 bits (max.) Pins are shared with the peripheral I/O.
Number of input interrupt ports	67 bits (max.)
Number of ports that support universal port multiplexer (UPMUX)	24 bits A peripheral circuit I/O function selected via software can be assigned to each port.
Timers	
Watchdog timer (WDT2)	Generates NMI or watchdog timer reset. Programmable NMI/reset generation cycle
Real-time clock (RTCA)	128–1 Hz counter, second/minute/hour/day/day of the week/month/year counters Theoretical regulation function for 1-second correction Alarm and stopwatch functions
16-bit timer (T16)	4 channels Generates the SPIA and QSPI master clocks.
16-bit PWM timer (T16B)	2 channels Event counter/capture function PWM waveform generation function Number of PWM output or capture input ports: 2 ports/channel
Supply voltage detector (SVD2)	
Number of channels	2 channels
Detection level	32 levels (1.7 to 4.3 V)
Other	Intermittent operation mode Generates an interrupt or reset (Ch.0) according to the detection level evaluation.

1 OVERVIEW

Serial interfaces	
UART (UART2)	2 channels Baud-rate generator included, IrDA1.0 supported Open drain output, signal polarity, and baud rate division ratio are configurable.
Synchronous serial interface (SPIA)	1 channel 2 to 16-bit variable data length The 16-bit timer (T16) can be used for the baud-rate generator in master mode.
Quad synchronous serial interface (QSPI)	1 channel Supports single, dual, and quad transfer modes. Low CPU overhead memory mapped access mode that can directly read data from the external flash memory with XIP (eXecute-In-Place) mode.
I ² C (I2C)	2 channels Baud-rate generator included
USB 2.0 FS device controller (USB)	
Number of transceiver/receiver channels	1 channel
Transfer rate	FS (12 Mbps)
Clock source	48 MHz crystal oscillator or OSC3 (12 MHz) + PLL selectable
Number of endpoints	4 endpoints (3 general-purpose endpoints and endpoint 0)
Power supply	Voltage regulators for USB included
Sound generator (SNDA)	
Buzzer output function	512 Hz to 16 kHz output frequencies One-shot output function
Melody generation function	Pitch: 128 Hz to 16 kHz ≈ C3 to C6 Duration: 7 notes/rests (Half note/rest to thirty-second note/rest) Tempo: 16 tempos (30 to 480) Tie/slur may be specified.
IR remote controller (REMC2)	
Number of transmitter channels	1 channel
Other	EL lamp drive waveform can be generated (by the hardware) for an application example.
LCD driver (LCD32B)	
LCD output	88SEG × 1–16COM (max.), 80SEG × 17–24COM (max.), 72SEG × 25–32COM (max.)
LCD contrast	16 levels
Other	1/5 or 1/4 bias power supply included, external voltage can be applied.
R/F converter (RFC)	
Conversion method	CR oscillation type with 24-bit counters
Number of conversion channels	1 channel (Up to two sensors can be connected.)
Supported sensors	DC-bias resistive sensors, AC-bias resistive sensors
Reset	
#RESET pin	Reset when the reset pin is set to low.
Power-on reset	Reset at power on.
Brownout reset	Reset when the power supply voltage drops (when V _{DD} ≤ 1.45 V (typ.) is detected).
Key entry reset	Reset when the P00 to P01/P02/P03 keys are pressed simultaneously (can be enabled/disabled using a register).
Watchdog timer reset	Reset when the watchdog timer overflows (can be enabled/disabled using a register).
Supply voltage detector reset	Reset when the supply voltage detector detects the set voltage level (can be enabled/disabled using a register).
Interrupt	
Non-maskable interrupt	6 systems (Reset, NMI, HardFault, SVCcall, PendSV, SysTic)
Programmable interrupt	External interrupt: 1 system Internal interrupt: 23 systems
Power supply voltage	
V _{DD} operating voltage	1.8 to 3.6 V
V _{DD} operating voltage for Flash programming	2.7 to 3.6 V (when the internal voltage booster is used)
V _{DD} operating voltage when LCD driver is used	2.5 to 3.6 V
Operating temperature	
Operating temperature range	-40 to 85 °C
Current consumption (Typ. value)	
SLEEP mode *1	0.4 μA IOSC = OFF, OSC1 = OFF, OSC3 = OFF 0.9 μA IOSC = OFF, OSC1 = ON, OSC3 = OFF, RTC = ON
HALT mode *2	1.7 μA OSC1 = 32 kHz 7.7 μA OSC1 = 32 kHz, LCD = ON (no panel load)
RUN mode	250 μA/MHz V _{D1} voltage mode = mode0, CPU = IOSC 150 μA/MHz V _{D1} voltage mode = mode1, CPU = IOSC

Shipping form	
1	VFBGA8HX-181 (size: 8 × 8 mm, ball pitch: 0.5 mm)
2	Die form (pad pitch: 80 μm (min.))

- *1 SLEEP mode refers to deep sleep mode in the Cortex®-M0+ processor.
- *2 HALT mode refers to sleep mode in the Cortex®-M0+ processor.

1.2 Block Diagram

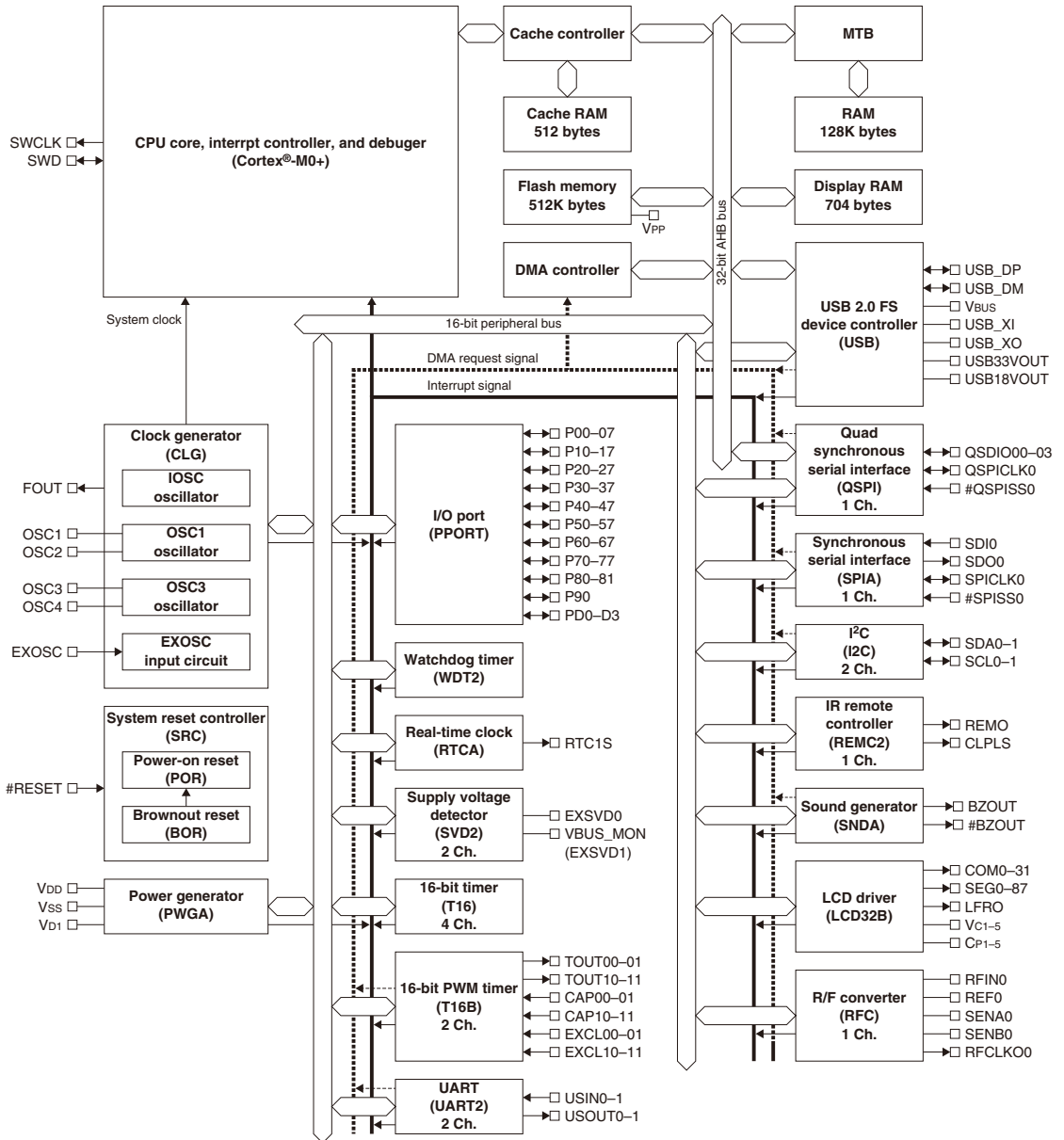


Figure 1.2.1 S1C31W74 Block Diagram

1.3 Pins

1.3.1 Pin Configuration Diagram

VFBGA8HX-181

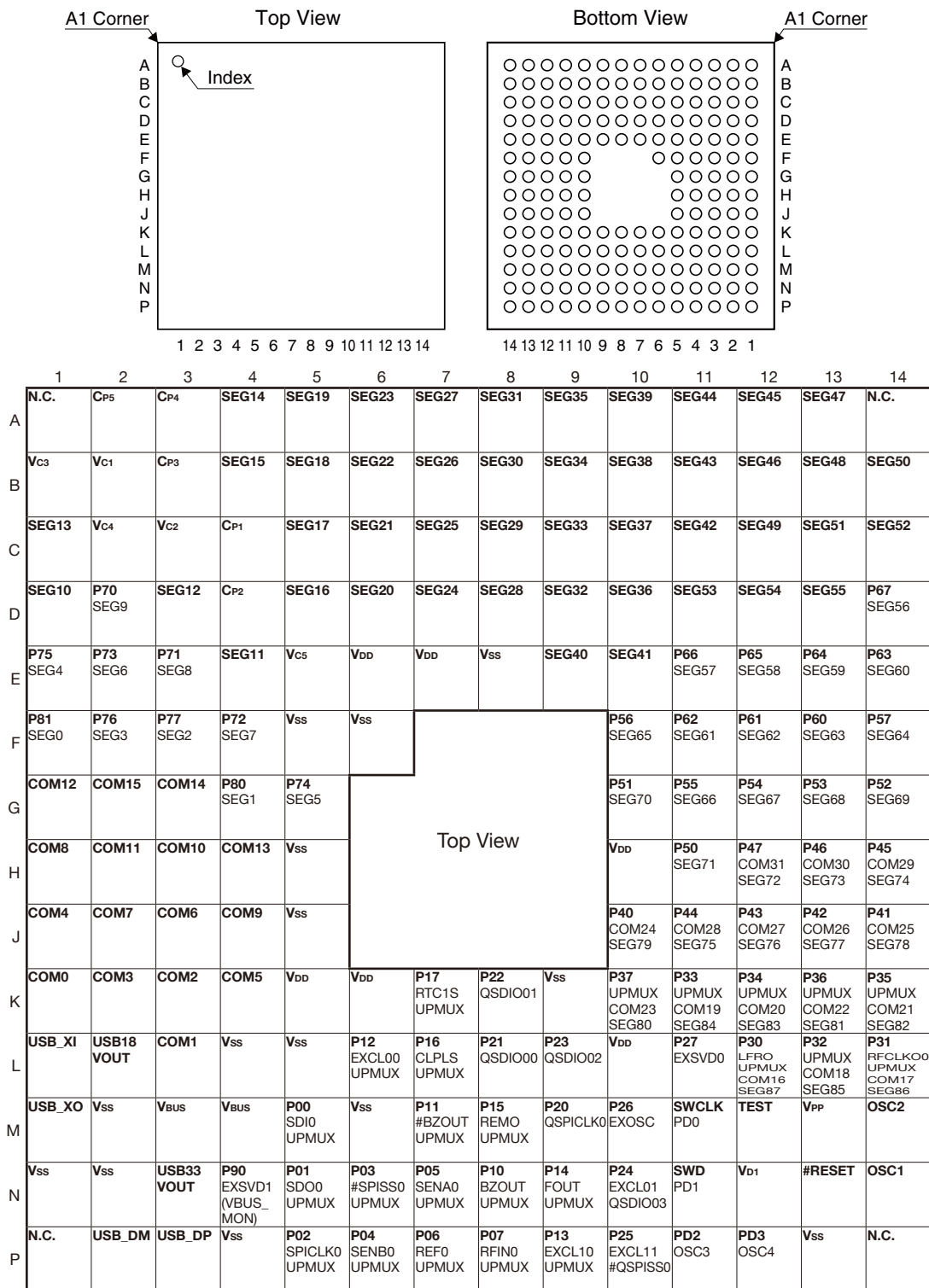
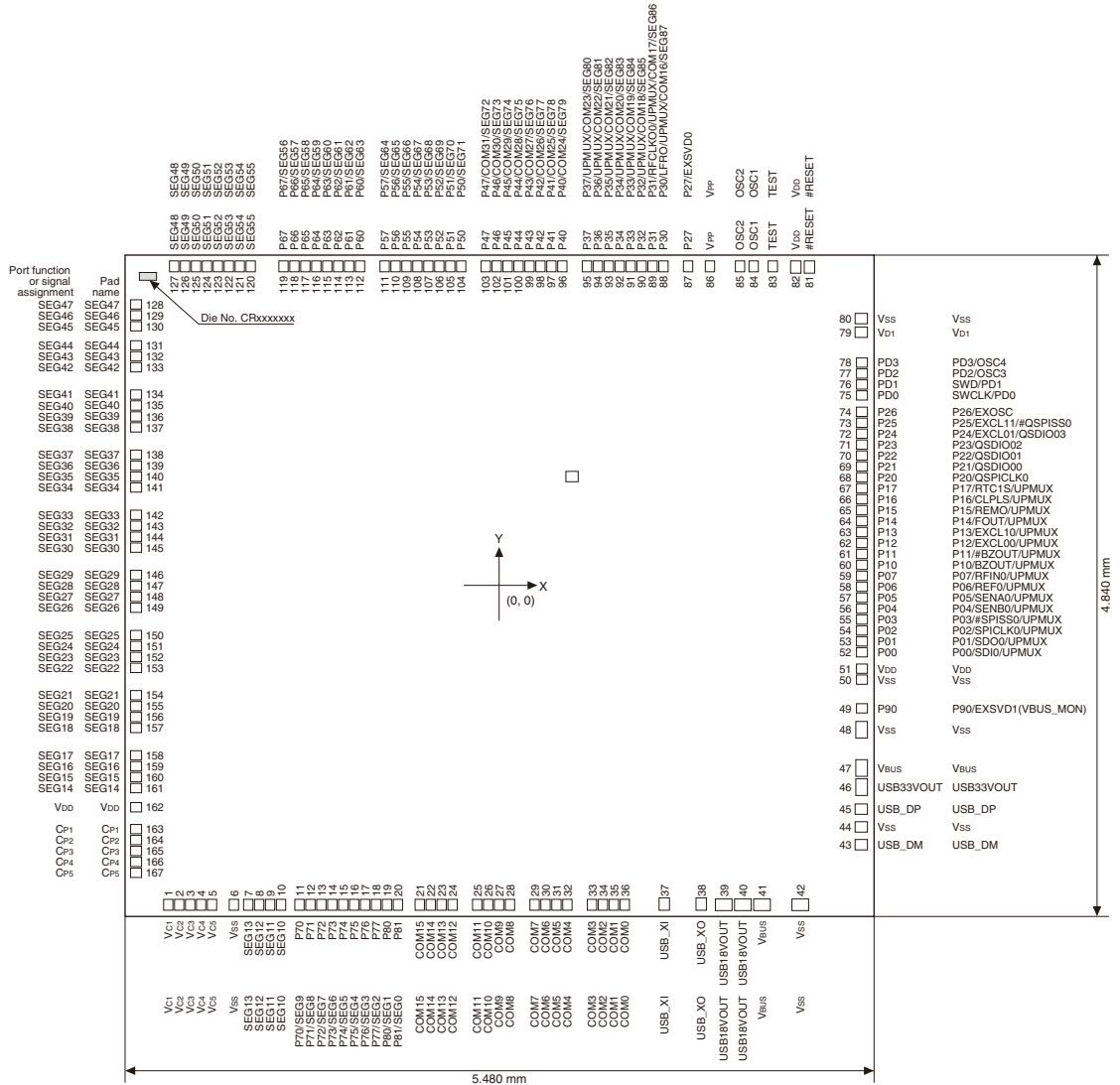


Figure 1.3.1.1 S1C31W74 Pin Configuration Diagram (VFBGA8HX-181)

1.3.2 Pad Configuration Diagram



1 OVERVIEW

Table 1.3.2.1 S1C31W74 Pad Coordinates

No.	X μ m	Y μ m	No.	X μ m	Y μ m	No.	X μ m	Y μ m	No.	X μ m	Y μ m
1	-2,424.0	-2,334.5	43	2,649.5	-1,898.0	81	2,272.2	2,329.5	128	-2,654.5	2,056.0
2	-2,344.0	-2,334.5	44	2,649.5	-1,768.0	82	2,172.2	2,329.5	129	-2,654.5	1,976.0
3	-2,264.0	-2,334.5	45	2,649.5	-1,638.0	83	2,004.0	2,334.5	130	-2,654.5	1,896.0
4	-2,184.0	-2,334.5	46	2,652.0	-1,477.0	84	1,864.0	2,334.5	131	-2,654.5	1,756.0
5	-2,104.0	-2,334.5	47	2,652.0	-1,337.0	85	1,764.0	2,334.5	132	-2,654.5	1,676.0
6	-1,944.0	-2,334.5	48	2,652.0	-1,057.0	86	1,544.0	2,334.5	133	-2,654.5	1,596.0
7	-1,839.0	-2,334.5	49	2,654.5	-900.0	87	1,384.0	2,334.5	134	-2,654.5	1,396.0
8	-1,759.0	-2,334.5	50	2,654.5	-690.0	88	1,204.0	2,334.5	135	-2,654.5	1,316.0
9	-1,679.0	-2,334.5	51	2,654.5	-610.0	89	1,124.0	2,334.5	136	-2,654.5	1,236.0
10	-1,599.0	-2,334.5	52	2,654.5	-490.0	90	1,044.0	2,334.5	137	-2,654.5	1,156.0
11	-1,464.0	-2,334.5	53	2,654.5	-410.0	91	964.0	2,334.5	138	-2,654.5	956.0
12	-1,384.0	-2,334.5	54	2,654.5	-330.0	92	884.0	2,334.5	139	-2,654.5	876.0
13	-1,304.0	-2,334.5	55	2,654.5	-250.0	93	804.0	2,334.5	140	-2,654.5	796.0
14	-1,224.0	-2,334.5	56	2,654.5	-170.0	94	724.0	2,334.5	141	-2,654.5	716.0
15	-1,144.0	-2,334.5	57	2,654.5	-90.0	95	644.0	2,334.5	142	-2,654.5	516.0
16	-1,064.0	-2,334.5	58	2,654.5	-10.0	96	464.0	2,334.5	143	-2,654.5	436.0
17	-984.0	-2,334.5	59	2,654.5	70.0	97	384.0	2,334.5	144	-2,654.5	356.0
18	-904.0	-2,334.5	60	2,654.5	150.0	98	304.0	2,334.5	145	-2,654.5	276.0
19	-824.0	-2,334.5	61	2,654.5	230.0	99	224.0	2,334.5	146	-2,654.5	76.0
20	-744.0	-2,334.5	62	2,654.5	310.0	100	144.0	2,334.5	147	-2,654.5	-4.0
21	-584.0	-2,334.5	63	2,654.5	390.0	101	64.0	2,334.5	148	-2,654.5	-84.0
22	-504.0	-2,334.5	64	2,654.5	470.0	102	-16.0	2,334.5	149	-2,654.5	-164.0
23	-424.0	-2,334.5	65	2,654.5	550.0	103	-96.0	2,334.5	150	-2,654.5	-364.0
24	-344.0	-2,334.5	66	2,654.5	630.0	104	-276.0	2,334.5	151	-2,654.5	-444.0
25	-164.0	-2,334.5	67	2,654.5	710.0	105	-356.0	2,334.5	152	-2,654.5	-524.0
26	-84.0	-2,334.5	68	2,654.5	790.0	106	-436.0	2,334.5	153	-2,654.5	-604.0
27	-4.0	-2,334.5	69	2,654.5	870.0	107	-516.0	2,334.5	154	-2,654.5	-804.0
28	76.0	-2,334.5	70	2,654.5	950.0	108	-596.0	2,334.5	155	-2,654.5	-884.0
29	256.0	-2,334.5	71	2,654.5	1,030.0	109	-676.0	2,334.5	156	-2,654.5	-964.0
30	336.0	-2,334.5	72	2,654.5	1,110.0	110	-756.0	2,334.5	157	-2,654.5	-1,044.0
31	416.0	-2,334.5	73	2,654.5	1,190.0	111	-836.0	2,334.5	158	-2,654.5	-1,244.0
32	496.0	-2,334.5	74	2,654.5	1,270.0	112	-1,016.0	2,334.5	159	-2,654.5	-1,324.0
33	676.0	-2,334.5	75	2,654.5	1,390.0	113	-1,096.0	2,334.5	160	-2,654.5	-1,404.0
34	756.0	-2,334.5	76	2,654.5	1,470.0	114	-1,176.0	2,334.5	161	-2,654.5	-1,484.0
35	836.0	-2,334.5	77	2,654.5	1,550.0	115	-1,256.0	2,334.5	162	-2,654.5	-1,624.0
36	916.0	-2,334.5	78	2,654.5	1,630.0	116	-1,336.0	2,334.5	163	-2,654.5	-1,784.0
37	1,205.0	-2,329.5	79	2,649.5	1,852.2	117	-1,416.0	2,334.5	164	-2,654.5	-1,864.0
38	1,475.0	-2,329.5	80	2,649.5	1,952.2	118	-1,496.0	2,334.5	165	-2,654.5	-1,944.0
39	1,640.0	-2,332.0	-	-	-	119	-1,576.0	2,334.5	166	-2,654.5	-2,024.0
40	1,780.0	-2,332.0	-	-	-	120	-1,816.0	2,334.5	167	-2,654.5	-2,104.0
41	1,920.0	-2,332.0	-	-	-	121	-1,896.0	2,334.5	-	-	-
42	2,200.0	-2,332.0	-	-	-	122	-1,976.0	2,334.5	-	-	-
-	-	-	-	-	-	123	-2,056.0	2,334.5	-	-	-
-	-	-	-	-	-	124	-2,136.0	2,334.5	-	-	-
-	-	-	-	-	-	125	-2,216.0	2,334.5	-	-	-
-	-	-	-	-	-	126	-2,296.0	2,334.5	-	-	-
-	-	-	-	-	-	127	-2,376.0	2,334.5	-	-	-

1.3.3 Pin Descriptions

Symbol meanings

Assigned signal: The signal listed at the top of each pin is assigned in the initial state. The pin function must be switched via software to assign another signal (see the “I/O Ports” chapter).

I/O: I = Input
 O = Output
 I/O = Input/output
 P = Power supply
 A = Analog signal
 Hi-Z = High impedance state

Initial state: I (Pull-up) = Input with pulled up
 I (Pull-down) = Input with pulled down
 Hi-Z = High impedance state
 O (H) = High level output
 O (L) = Low level output

Tolerant fail-safe structure:
 ✓ = Over voltage tolerant fail-safe type I/O cell included (see the “I/O Ports” chapter)

Table 1.3.3.1 Pin description

Pin name	Assigned signal	I/O	Initial state	Tolerant fail-safe structure	Function
V _{DD}	V _{DD}	P	–	–	Power supply (+)
V _{SS}	V _{SS}	P	–	–	GND
V _{PP}	V _{PP}	P	–	–	Power supply for Flash programming
V _{D1}	V _{D1}	A	–	–	V _{D1} regulator output
VC1-5	VC1-5	P	–	–	LCD panel driver power supply
CP1-5	CP1-5	A	–	–	LCD power supply booster capacitor connect pins
OSC1	OSC1	A	–	–	OSC1 oscillator circuit input
OSC2	OSC2	A	–	–	OSC2 oscillator circuit output
TEST	TEST	I	I (Pull-down)	–	Test mode enable input
#RESET	#RESET	I	I (Pull-up)	–	Reset input
P00	P00	I/O	Hi-Z	–	I/O port
	SDI0	I			Synchronous serial interface Ch.0 data input
	UPMUX	I/O			User-selected I/O (universal port multiplexer)
P01	P01	I/O	Hi-Z	–	I/O port
	SDO0	O			Synchronous serial interface Ch.0 data output
	UPMUX	I/O			User-selected I/O (universal port multiplexer)
P02	P02	I/O	Hi-Z	–	I/O port
	SPICK0	I/O			Synchronous serial interface Ch.0 clock input/output
	UPMUX	I/O			User-selected I/O (universal port multiplexer)
P03	P03	I/O	Hi-Z	–	I/O port
	#SPISS0	I			Synchronous serial interface Ch.0 slave-select input
	UPMUX	I/O			User-selected I/O (universal port multiplexer)
P04	P04	I/O	Hi-Z	–	I/O port
	SENB0	A			R/F converter Ch.0 sensor B oscillator pin
	UPMUX	I/O			User-selected I/O (universal port multiplexer)
P05	P05	I/O	Hi-Z	–	I/O port
	SENA0	A			R/F converter Ch.0 sensor A oscillator pin
	UPMUX	I/O			User-selected I/O (universal port multiplexer)
P06	P06	I/O	Hi-Z	–	I/O port
	REF0	A			R/F converter Ch.0 reference oscillator pin
	UPMUX	I/O			User-selected I/O (universal port multiplexer)
P07	P07	I/O	Hi-Z	–	I/O port
	RFIN0	A			R/F converter Ch.0 oscillation input
	UPMUX	I/O			User-selected I/O (universal port multiplexer)
P10	P10	I/O	Hi-Z	–	I/O port
	BZOUT	O			Sound generator output
	UPMUX	I/O			User-selected I/O (universal port multiplexer)
P11	P11	I/O	Hi-Z	–	I/O port
	#BZOUT	O			Sound generator inverted output
	UPMUX	I/O			User-selected I/O (universal port multiplexer)

1 OVERVIEW

Pin name	Assigned signal	I/O	Initial state	Tolerant fail-safe structure	Function
P12	P12	I/O	Hi-Z	-	I/O port
	EXCL00	I			16-bit PWM timer Ch.0 event counter input 0
	UPMUX	I/O			User-selected I/O (universal port multiplexer)
P13	P13	I/O	Hi-Z	-	I/O port
	EXCL10	I			16-bit PWM timer Ch.1 event counter input 0
	UPMUX	I/O			User-selected I/O (universal port multiplexer)
P14	P14	I/O	Hi-Z	-	I/O port
	FOUT	O			Clock external output
	UPMUX	I/O			User-selected I/O (universal port multiplexer)
P15	P15	I/O	Hi-Z	-	I/O port
	REMO	O			IR remote controller transmit data output
	UPMUX	I/O			User-selected I/O (universal port multiplexer)
P16	P16	I/O	Hi-Z	-	I/O port
	CLPLS	O			IR remote controller clear pulse output
	UPMUX	I/O			User-selected I/O (universal port multiplexer)
P17	P17	I/O	Hi-Z	-	I/O port
	RTC1S	O			Real-time clock 1-second cycle pulse output
	UPMUX	I/O			User-selected I/O (universal port multiplexer)
P20	P20	I/O	Hi-Z	-	I/O port
	QSPICK0	I/O			Quad synchronous serial interface Ch.0 clock input/output
P21	P21	I/O	Hi-Z	-	I/O port
	QSDIO00	I/O			Quad synchronous serial interface Ch.0 data input/output
P22	P22	I/O	Hi-Z	-	I/O port
	QSDIO01	I/O			Quad synchronous serial interface Ch.0 data input/output
P23	P23	I/O	Hi-Z	-	I/O port
	QSDIO02	I/O			Quad synchronous serial interface Ch.0 data input/output
P24	P24	I/O	Hi-Z	-	I/O port
	EXCL01	I			16-bit PWM timer Ch.0 event counter input 1
	QSDIO03	I/O			Quad synchronous serial interface Ch.0 data input/output
P25	P25	I/O	Hi-Z	-	I/O port
	EXCL11	I			16-bit PWM timer Ch.1 event counter input 1
	#QSPISS0	I/O			Quad synchronous serial interface Ch.0 slave-select input/output
P26	P26	I/O	Hi-Z	-	I/O port
	EXOSC	I			Clock generator external clock input
P27	P27	I/O	Hi-Z	✓	I/O port
	EXSVD0	A			Supply voltage detector Ch.0 external voltage detection input
P30	P30	I/O	Hi-Z	✓	I/O port
	LFRO	O			LCD frame signal monitor output
	UPMUX	I/O			User-selected I/O (universal port multiplexer)
	COM16	A			LCD common output
	SEG87	A			LCD segment output
P31	P31	I/O	Hi-Z	✓	I/O port
	RFCLK00	O			R/F converter Ch.0 clock monitor output
	UPMUX	I/O			User-selected I/O (universal port multiplexer)
	COM17	A			LCD common output
	SEG86	A			LCD segment output
P32	P32	I/O	Hi-Z	✓	I/O port
	UPMUX	I/O			User-selected I/O (universal port multiplexer)
	COM18	A			LCD common output
	SEG85	A			LCD segment output
P33	P33	I/O	Hi-Z	✓	I/O port
	UPMUX	I/O			User-selected I/O (universal port multiplexer)
	COM19	A			LCD common output
	SEG84	A			LCD segment output
P34	P34	I/O	Hi-Z	✓	I/O port
	UPMUX	I/O			User-selected I/O (universal port multiplexer)
	COM20	A			LCD common output
	SEG83	A			LCD segment output
P35	P35	I/O	Hi-Z	✓	I/O port
	UPMUX	I/O			User-selected I/O (universal port multiplexer)
	COM21	A			LCD common output
	SEG82	A			LCD segment output

Pin name	Assigned signal	I/O	Initial state	Tolerant fail-safe structure	Function
P36	P36	I/O	Hi-Z	✓	I/O port
	UPMUX	I/O			User-selected I/O (universal port multiplexer)
	COM22	A			LCD common output
	SEG81	A			LCD segment output
P37	P37	I/O	Hi-Z	✓	I/O port
	UPMUX	I/O			User-selected I/O (universal port multiplexer)
	COM23	A			LCD common output
	SEG80	A			LCD segment output
P40	P40	I/O	Hi-Z	✓	I/O port
	COM24	A			LCD common output
	SEG79	A			LCD segment output
P41	P41	I/O	Hi-Z	✓	I/O port
	COM25	A			LCD common output
	SEG78	A			LCD segment output
P42	P42	I/O	Hi-Z	✓	I/O port
	COM26	A			LCD common output
	SEG77	A			LCD segment output
P43	P43	I/O	Hi-Z	✓	I/O port
	COM27	A			LCD common output
	SEG76	A			LCD segment output
P44	P44	I/O	Hi-Z	✓	I/O port
	COM28	A			LCD common output
	SEG75	A			LCD segment output
P45	P45	I/O	Hi-Z	✓	I/O port
	COM29	A			LCD common output
	SEG74	A			LCD segment output
P46	P46	I/O	Hi-Z	✓	I/O port
	COM30	A			LCD common output
	SEG73	A			LCD segment output
P47	P47	I/O	Hi-Z	✓	I/O port
	COM31	A			LCD common output
	SEG72	A			LCD segment output
P50	P50	I/O	Hi-Z	✓	I/O port
	SEG71	A			LCD segment output
P51	P51	I/O	Hi-Z	✓	I/O port
	SEG70	A			LCD segment output
P52	P52	I/O	Hi-Z	✓	I/O port
	SEG69	A			LCD segment output
P53	P53	I/O	Hi-Z	✓	I/O port
	SEG68	A			LCD segment output
P54	P54	I/O	Hi-Z	✓	I/O port
	SEG67	A			LCD segment output
P55	P55	I/O	Hi-Z	✓	I/O port
	SEG66	A			LCD segment output
P56	P56	I/O	Hi-Z	✓	I/O port
	SEG65	A			LCD segment output
P57	P57	I/O	Hi-Z	✓	I/O port
	SEG64	A			LCD segment output
P60	P60	I/O	Hi-Z	✓	I/O port
	SEG63	A			LCD segment output
P61	P61	I/O	Hi-Z	✓	I/O port
	SEG62	A			LCD segment output
P62	P62	I/O	Hi-Z	✓	I/O port
	SEG61	A			LCD segment output
P63	P63	I/O	Hi-Z	✓	I/O port
	SEG60	A			LCD segment output
P64	P64	I/O	Hi-Z	✓	I/O port
	SEG59	A			LCD segment output
P65	P65	I/O	Hi-Z	✓	I/O port
	SEG58	A			LCD segment output
P66	P66	I/O	Hi-Z	✓	I/O port
	SEG57	A			LCD segment output

1 OVERVIEW

Pin name	Assigned signal	I/O	Initial state	Tolerant fail-safe structure	Function
P67	P67	I/O	Hi-Z	✓	I/O port
	SEG56	A			LCD segment output
P70	P70	I/O	Hi-Z	✓	I/O port
	SEG9	A			LCD segment output
P71	P71	I/O	Hi-Z	✓	I/O port
	SEG8	A			LCD segment output
P72	P72	I/O	Hi-Z	✓	I/O port
	SEG7	A			LCD segment output
P73	P73	I/O	Hi-Z	✓	I/O port
	SEG6	A			LCD segment output
P74	P74	I/O	Hi-Z	✓	I/O port
	SEG5	A			LCD segment output
P75	P75	I/O	Hi-Z	✓	I/O port
	SEG4	A			LCD segment output
P76	P76	I/O	Hi-Z	✓	I/O port
	SEG3	A			LCD segment output
P77	P77	I/O	Hi-Z	✓	I/O port
	SEG2	A			LCD segment output
P80	P80	I/O	Hi-Z	✓	I/O port
	SEG1	A			LCD segment output
P81	P81	I/O	Hi-Z	✓	I/O port
	SEG0	A			LCD segment output
P90	P90	I/O	Hi-Z	✓	I/O port
	EXSVD1 (VBUS_MON)	A			Supply voltage detector Ch.1 external voltage detection input (Vbus voltage detection input)
PD0	SWCLK	I	I (Pull-up)	-	Serial-wire debugger clock input
	PD0	I/O			I/O port
PD1	SWD	I/O	I (Pull-up)	-	Serial-wire debugger data input/output
	PD1	I/O			I/O port
PD2	PD2	I/O	Hi-Z	-	I/O port
	OSC3	A			OSC3 oscillator circuit input
PD3	PD3	I/O	Hi-Z	-	I/O port
	OSC4	A			OSC3 oscillator circuit output
COM0–15	COM0–15	A	Hi-Z	-	LCD common output
SEG10–55	SEG10–55	A	Hi-Z	-	LCD segment output
USB_DP	USB_DP	I/O	I	-	USB D+ signal input/output
USB_DM	USB_DM	I/O	I	-	USB D- signal input/output
V _{bus}	V _{bus}	P	-	-	USB V _{bus} input (5 V input allowed)
USB_XI	USB_XI	A	-	-	USBOSC oscillator circuit input
USB_XO	USB_XO	A	-	-	USBOSC oscillator circuit output
USB18VOUT	USB18VOUT	P	-	-	USB 1.8 V regulator output
USB33VOUT	USB33VOUT	P	-	-	USB 3.3 V regulator output

Note: In the peripheral circuit descriptions, the assigned signal name is used as the pin name.

Universal port multiplexer (UPMUX)

The universal port multiplexer (UPMUX) allows software to select the peripheral circuit input/output function to be assigned to each pin from those listed below.

Table 1.3.3.2 Peripheral Circuit Input/output Function Selectable by UPMUX

Peripheral circuit	Signal to be assigned	I/O	Channel number <i>n</i>	Function
I ² C (I2C)	SCL _{<i>n</i>}	I/O	<i>n</i> = 0, 1	I2C Ch. <i>n</i> clock input/output
	SDA _{<i>n</i>}	I/O		I2C Ch. <i>n</i> data input/output
UART (UART2)	USIN _{<i>n</i>}	I	<i>n</i> = 0, 1	UART2 Ch. <i>n</i> data input
	USOUT _{<i>n</i>}	O		UART2 Ch. <i>n</i> data output
16-bit PWM timer (T16B)	TOUT _{<i>n</i>} /CAP _{<i>n</i>} 0	I/O	<i>n</i> = 0, 1	T16B Ch. <i>n</i> PWM output/capture input 0
	TOUT _{<i>n</i>} /CAP _{<i>n</i>} 1	I/O		T16B Ch. <i>n</i> PWM output/capture input 1

Note: Do not assign a function to two or more pins simultaneously.

2 Power Supply, Reset, and Clocks

The power supply, reset, and clocks in this IC are managed by the embedded power generator, system reset controller, and clock generator, respectively.

2.1 Power Generator (PWGA)

2.1.1 Overview

PWGA is the power generator that controls the internal power supply system to drive this IC with stability and low power. The main features of PWGA are outlined below.

- Embedded V_{D1} regulator
 - The V_{D1} regulator generates the V_{D1} voltage to drive internal circuits, this makes it possible to keep current consumption constant independent of the V_{DD} voltage level.
 - The V_{D1} regulator supports two operation modes, normal mode and economy mode, and setting the V_{D1} regulator into economy mode at light loads helps achieve low-power operations.
 - The V_{D1} regulator supports two voltage modes, mode0 and mode1, and setting the V_{D1} regulator into mode1 during low-speed operation helps achieve low-power operations.

Figure 2.1.1.1 shows the PWGA configuration.

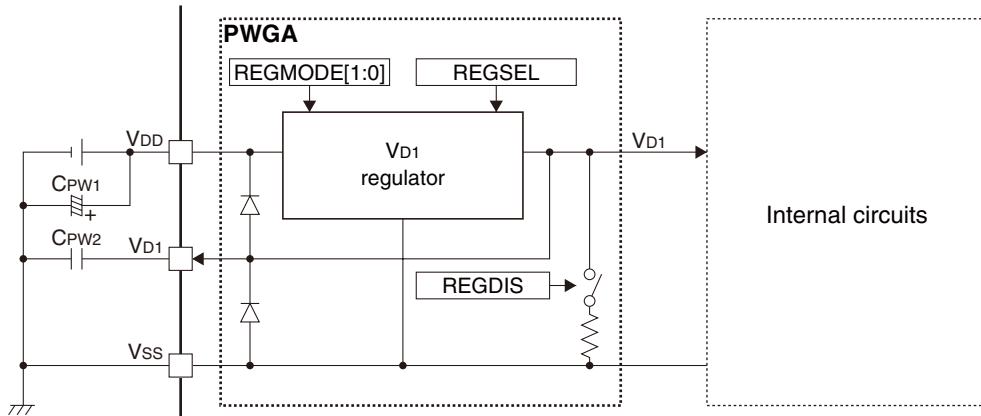


Figure 2.1.1.1 PWGA Configuration

2.1.2 Pins

Table 2.1.2.1 lists the PWGA pins.

Table 2.1.2.1 List of PWGA Pins

Pin name	I/O	Initial status	Function
V_{DD}	P	–	Power supply (+)
V_{SS}	P	–	GND
V_{D1}	A	–	V_{D1} regulator output pin

For the V_{DD} operating voltage range and recommended external parts, refer to “Recommended Operating Conditions, Power supply voltage V_{DD} ” in the “Electrical Characteristics” chapter and the “Basic External Connection Diagram” chapter, respectively.

2.1.3 V_{D1} Regulator Operation Mode

The V_{D1} regulator supports two operation modes, normal mode and economy mode. Setting the V_{D1} regulator into economy mode at light loads helps achieve low-power operations. Table 2.1.3.1 lists examples of light load conditions in which economy mode can be set.

Table 2.1.3.1 Examples of Light Load Conditions in which Economy Mode Can be Set

Light load condition	Exceptions
SLEEP mode (when all oscillators are stopped, or OSC1 only is active)	When a clock source except for OSC1 is active
HALT mode (when OSC1 only is active)	
RUN mode (when OSC1 only is active)	

The V_{D1} regulator also supports automatic mode in which the hardware detects a light load condition and automatically switches between normal mode and economy mode. Use the V_{D1} regulator in automatic mode when no special control is required.

2.1.4 V_{D1} Regulator Voltage Mode

The V_{D1} regulator supports two voltage modes, mode0 and mode1.

When the IC runs with a low-speed clock, setting the V_{D1} regulator into mode1 reduces power consumption.

When the voltage mode is switched, the system clock source automatically stops operating and it resumes operating after the voltage has stabilized. Table 2.1.4.1 shows the stop period of the system clock.

Table 2.1.4.1 System Clock Stop Period After Switching Voltage Mode

System clock	Stop period
IOSC	4,096 cycles
OSC1	Number of cycles set using the CLGOSC1.OSC1WT[1:0] bits

Procedure to switch from mode0 to mode1

- Set the MODEN bits of the peripheral circuits to 0. (Stop using peripheral circuits)
- Write 0x0096 to the SYSPROT.PROT[15:0] bits. (Remove system protection)
- Switch the system clock to a low-speed clock (OSC1, IOSC 2 MHz or 1 MHz).
- Stop OSC3 and EXOSC.
- Configure the following PWGACTL register bits.
 - Set the PWGACTL.REGSEL bit to 0. (Switch to mode1)
 - Set the PWGACTL.REGDIS bit to 1. (Discharge)
 - Set the PWGACTL.REGMODE[1:0] bits to 0x2. (Set to normal mode)
- Configure the following PWGACTL register bits after the system clock supply has resumed.
 - Set the PWGACTL.REGDIS bit to 0. (Stop discharging)
 - Set the PWGACTL.REGMODE[1:0] bits to 0x0. (Set to automatic mode)
- Write a value other than 0x0096 to the SYSPROT.PROT[15:0] bits. (Set system protection)

Procedure to switch from mode1 to mode0

- Set the MODEN bits of the peripheral circuits to 0. (Stop using peripheral circuits)
- Write 0x0096 to the SYSPROT.PROT[15:0] bits. (Remove system protection)
- Configure the following PWGACTL register bits.
 - Set the PWGACTL.REGSEL bit to 1. (Switch to mode0)
 - Set the PWGACTL.REGMODE[1:0] bits to 0x2. (Set to normal mode)
- Set the PWGACTL.REGMODE[1:0] bits to 0x0 after the system clock supply has resumed. (Set to automatic mode)
- Switch the system clock to a high-speed clock.
- Write a value other than 0x0096 to the SYSPROT.PROT[15:0] bits. (Set system protection)

Note: After the voltage mode has been switched, correct the RTC, as the RTC operating clock is also stopped for the period set using the CLGOSC1.OSC1WT[1:0] bits.

2.2 System Reset Controller (SRC)

2.2.1 Overview

SRC is the system reset controller that resets the internal circuits according to the requests from the reset sources to archive steady IC operations. The main features of SRC are outlined below.

- Embedded reset hold circuit maintains reset state to boot the system safely while the internal power supply is unstable after power on or the oscillation frequency is unstable after the clock source is initiated.
- Supports reset requests from multiple reset sources.
 - #RESET pin
 - POR and BOR
 - Reset request from the CPU
 - Key-entry reset
 - Watchdog timer reset
 - Supply voltage detector reset
 - Peripheral circuit software reset (supports some peripheral circuits only)
- The CPU registers and peripheral circuit control bits will be reset with an appropriate initialization condition according to changes in status.

Figure 2.2.1.1 shows the SRC configuration.

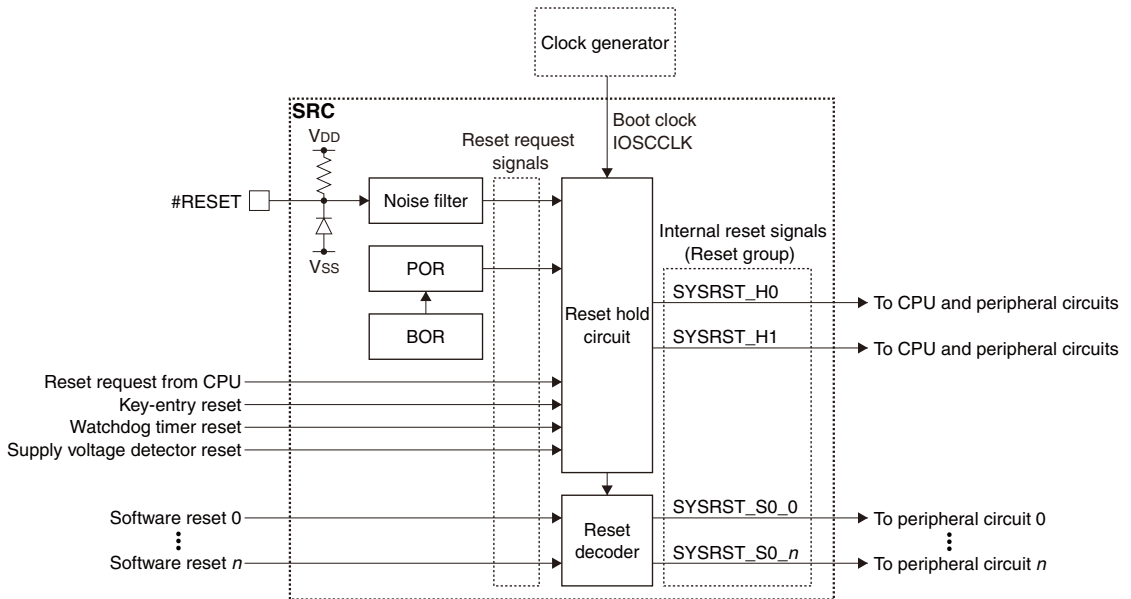


Figure 2.2.1.1 SRC Configuration

2.2.2 Input Pin

Table 2.2.2.1 shows the SRC pin.

Table 2.2.2.1 SRC Pin

Pin name	I/O	Initial status	Function
#RESET	I	I (Pull-up)	Reset input

The #RESET pin is connected to the noise filter that removes pulses not conforming to the requirements. An internal pull-up resistor is connected to the #RESET pin, so the pin can be left open. For the #RESET pin characteristics, refer to “#RESET pin characteristics” in the “Electrical Characteristics” chapter.

Table 2.2.4.1 List of Reset Groups

Reset group	Reset source	Reset cancelation timing
H0	#RESET pin POR and BOR Reset request from the CPU Key-entry reset Supply voltage detector reset Watchdog timer reset	Reset state is maintained for the reset hold time t_{RSTR} after the reset request is canceled.
H1	#RESET pin POR and BOR Reset request from the CPU	
S0	Peripheral circuit software reset (MODEN and SFTRST bits. The software reset operations depend on the peripheral circuit.	Reset state is canceled immediately after the reset request is canceled.

2.3 Clock Generator (CLG)

2.3.1 Overview

CLG is the clock generator that controls the clock sources and manages clock supply to the CPU and the peripheral circuits. The main features of CLG are outlined below.

- Supports multiple clock sources.
 - IOSC oscillator circuit that oscillates with a fast startup and no external parts required
 - High-precision and low-power OSC1 oscillator circuit that uses a 32.768 kHz crystal resonator
 - OSC3 oscillator circuit that supports up to 20.5 MHz crystal/ceramic resonators
 - EXOSC clock input circuit that allows input of square wave and sine wave clock signals up to 21 MHz
- The system clock (SYSCLK), which is used as the operating clock for the CPU and bus, and the peripheral circuit operating clocks can be configured individually by selecting the suitable clock source and division ratio.
- The 8 MHz clock output from the IOSC oscillator circuit is used as the boot clock for fast booting.
- Controls the oscillator and clock input circuits to enable/disable according to the operating mode, RUN or SLEEP mode.
- Provides a flexible system clock switching function at SLEEP mode cancelation.
 - The clock sources to be stopped in SLEEP mode can be selected.
 - SYSCLK to be used at SLEEP mode cancelation can be selected from all clock sources.
 - The oscillator and clock input circuit on/off state can be maintained or changed at SLEEP mode cancelation.
- Provides the FOUT function to output an internal clock for driving external ICs or for monitoring the internal state.

Figure 2.3.1.1 shows the CLG configuration.

2 POWER SUPPLY, RESET, AND CLOCKS

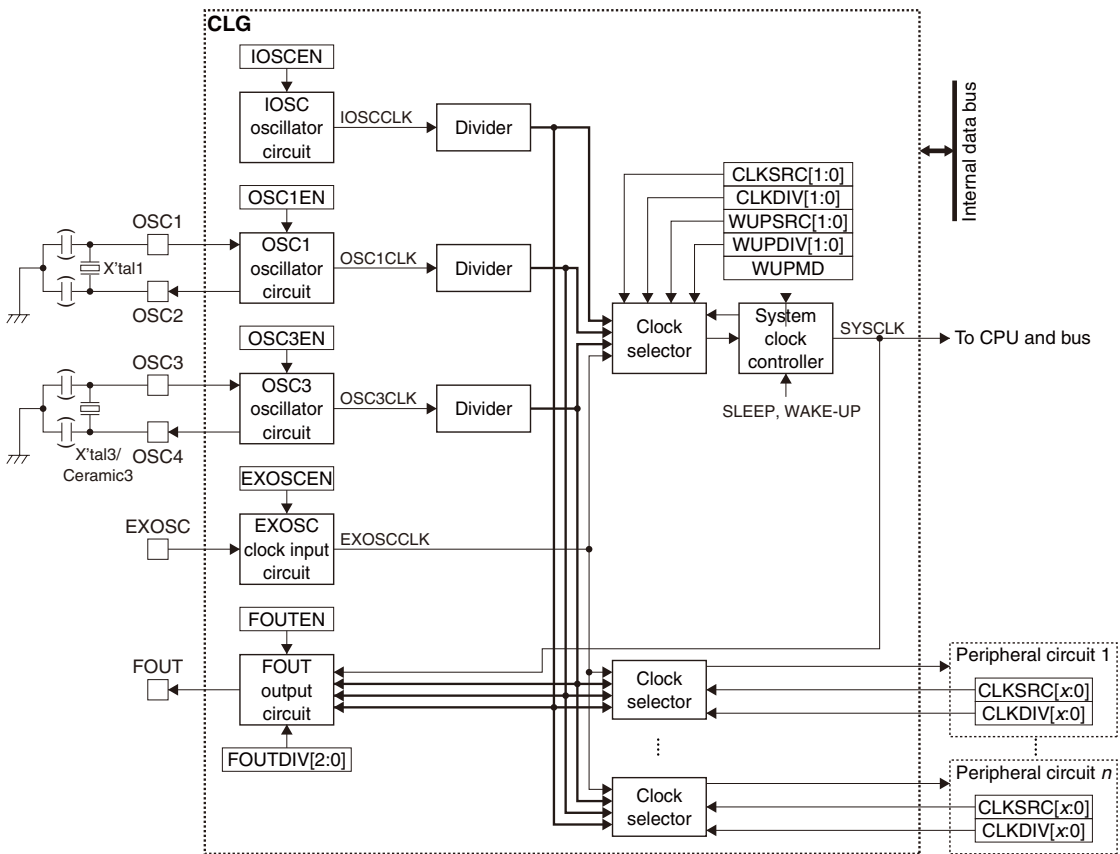


Figure 2.3.1.1 CLG Configuration

2.3.2 Input/Output Pins

Table 2.3.2.1 lists the CLG pins.

Table 2.3.2.1 List of CLG Pins

Pin name	I/O*	Initial status*	Function
OSC1	A	–	OSC1 oscillator circuit input
OSC2	A	–	OSC1 oscillator circuit output
OSC3	A	–	OSC3 oscillator circuit input
OSC4	A	–	OSC3 oscillator circuit output
EXOSC	I	I	EXOSC clock input
FOUT	O	O (L)	FOUT clock output

* Indicates the status when the pin is configured for CLG.

If the port is shared with the CLG input/output function and other functions, the CLG function must be assigned to the port. For more information, refer to the “I/O Ports” chapter.

2.3.3 Clock Sources

IOSC oscillator circuit

The IOSC oscillator circuit features a fast startup and no external parts are required for oscillating. Figure 2.3.3.1 shows the configuration of the IOSC oscillator circuit.

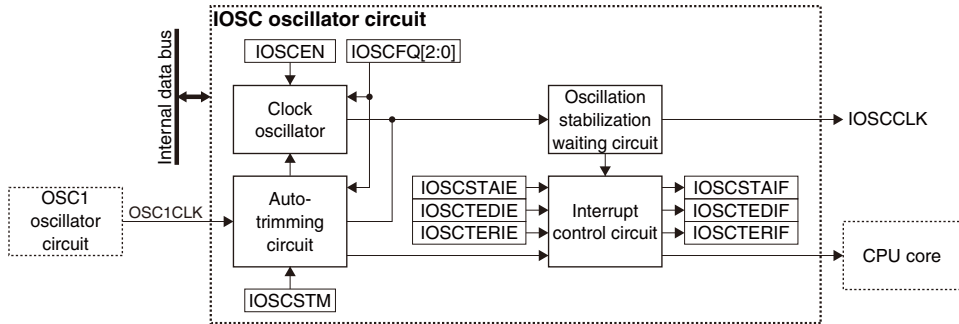


Figure 2.3.3.1 IOSC Oscillator Circuit Configuration

The IOSC oscillator circuit output clock IOSCCLK is used as SYSCLK at booting. The IOSCCLK frequency can be selected using the CLGIOSC.IOSCFQ[2:0] bits. The IOSC oscillator circuit is equipped with an auto-trimming function that automatically adjusts the frequency. This helps reduce frequency deviation due to unevenness in manufacturing quality, temperature, and changes in voltage. For more information on the auto-trimming function and the oscillation characteristics, refer to “IOSC oscillation auto-trimming function” in this chapter and “IOSC oscillator circuit characteristics” in the “Electrical Characteristics” chapter, respectively.

OSC1 oscillator circuit

The OSC1 oscillator circuit is a high-precision and low-power oscillator circuit that uses a 32.768 kHz crystal resonator. Figure 2.3.3.2 shows the configuration of the OSC1 oscillator circuit.

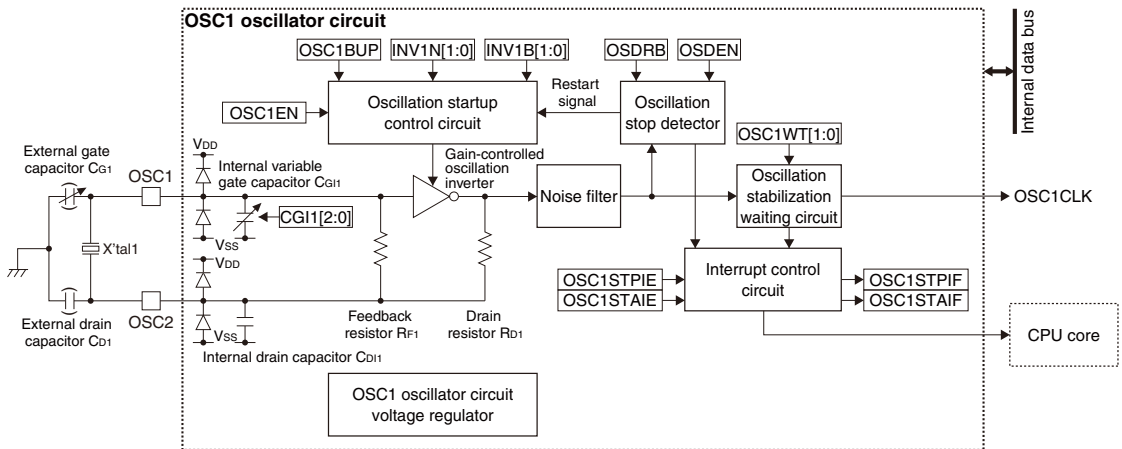


Figure 2.3.3.2 OSC1 Oscillator Circuit Configuration

This oscillator circuit includes a gain-controlled oscillation inverter and a variable gate capacitor allowing use of various crystal resonators with ranges from cylinder type through surface-mount type.

The oscillator circuit also includes a feedback resistor and a drain resistor, so no external parts are required except for a crystal resonator. The embedded oscillation stop detector, which detects oscillation stop and restarts the oscillator, allows the system to operate in safety under adverse environments that may stop the oscillation. The oscillation startup control circuit operates for a set period of time after the oscillation is enabled to assist the oscillator in initiating, this makes it possible to use a low-power resonator that is difficult to start up. For the recommended parts and the oscillation characteristics, refer to the “Basic External Connection Diagram” chapter and “OSC1 oscillator circuit characteristics” in the “Electrical Characteristics” chapter, respectively.

Note: Depending on the circuit board or the crystal resonator type used, an external gate capacitor C_{G1} and a drain capacitor C_{D1} may be required.

OSC3 oscillator circuit

The OSC3 oscillator circuit is a crystal/ceramic oscillator that generates a high-speed clock. Figure 2.3.3.3 shows the configuration of the OSC3 oscillator circuit.

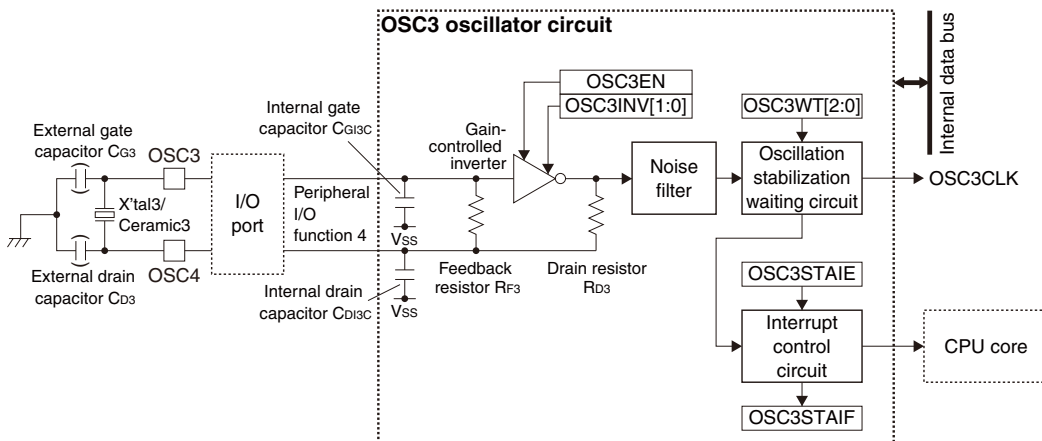


Figure 2.3.3.3 OSC3 Oscillator Circuit Configuration

This oscillator circuit includes a feedback resistor and a drain resistor, so no external part is required except for a crystal/ceramic resonator. The embedded gain-controlled inverter allows selection of the resonator from a wide frequency range.

For the recommended parts and the oscillation characteristics, refer to the “Basic External Connection Diagram” chapter and the “Electrical Characteristics” chapter, respectively.

EXOSC clock input

EXOSC is an external clock input circuit that supports square wave and sine wave clocks. Figure 2.3.3.4 shows the configuration of the EXOSC clock input circuit.

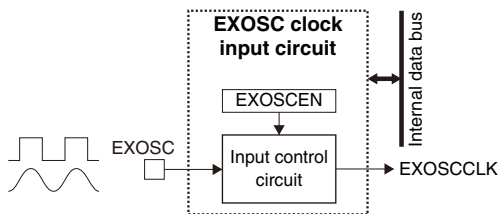


Figure 2.3.3.4 EXOSC Clock Input Circuit

EXOSC has no oscillation stabilization waiting circuit included, therefore, it must be enabled when a stabilized clock is being supplied. For the input clock characteristics, refer to “EXOSC external clock input characteristics” in the “Electrical Characteristics” chapter.

2.3.4 Operations

Oscillation start time and oscillation stabilization waiting time

The oscillation start time refers to the time after the oscillator circuit is enabled until the oscillation signal is actually sent to the internal circuits. The oscillation stabilization waiting time refers to the time it takes the clock to stabilize after the oscillation starts. To avoid malfunctions of the internal circuits due to an unstable clock during this period, the oscillator circuit includes an oscillation stabilization waiting circuit that can disable supplying the clock to the system until the designated time has elapsed. Figure 2.3.4.1 shows the relationship between the oscillation start time and the oscillation stabilization waiting time.

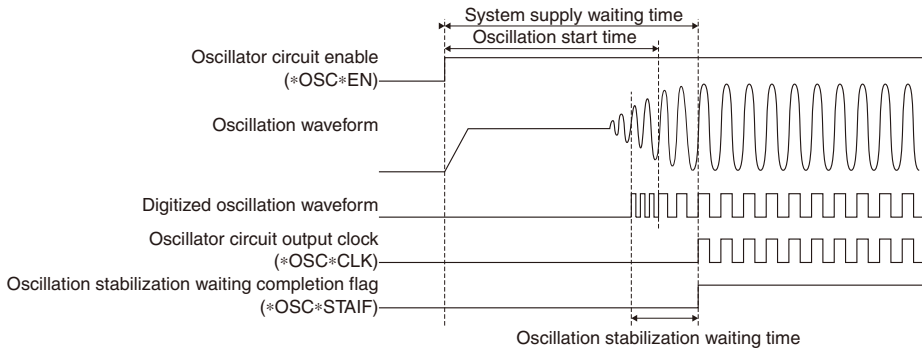


Figure 2.3.4.1 Oscillation Start Time and Oscillation Stabilization Waiting Time

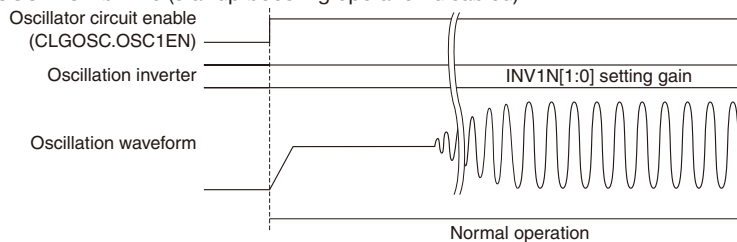
The oscillation stabilization waiting times for the OSC1 and OSC3 oscillator circuits can be set using the CLGOSC1.OSC1WT[1:0] bits and CLGOSC3.OSC3WT[2:0] bits, respectively. To check whether the oscillation stabilization waiting time is set properly and the clock is stabilized immediately after the oscillation starts or not, monitor the oscillation clock using the FOUT output function. The oscillation stabilization waiting time for the IOSC oscillator circuit is fixed at 16 IOSCCLK clocks. The oscillation stabilization waiting time for the OSC3 oscillator circuit should be set to 1,024 OSC3CLK clocks or more.

When the oscillation stabilization waiting operation has completed, the oscillator circuit sets the oscillation stabilization waiting completion flag and starts clock supply to the internal circuits.

Note: The oscillation stabilization waiting time is always expended at start of oscillation even if the oscillation stabilization waiting completion flag has not been cleared to 0.

When the oscillation startup control circuit in the OSC1 oscillator circuit is enabled by setting the CLGOSC1.OSC1BUP bit to 1, it uses the high-gain oscillation inverter for a set period of time (startup boosting operation) after the oscillator circuit is enabled (by setting the CLGOSC.OSC1EN bit to 1) to reduce oscillation start time. Note, however, that the oscillation operation may become unstable if there is a large gain differential between normal operation and startup boosting operation. Furthermore, the oscillation start time being actually reduced depends on the characteristics of the resonator used. Figure 2.3.4.2 shows an operation example when the oscillation startup control circuit is used.

(1) CLGOSC1.OSC1BUP bit = 0 (startup boosting operation disabled)



(2) CLGOSC1.OSC1BUP bit = 1 (startup boosting operation enabled)

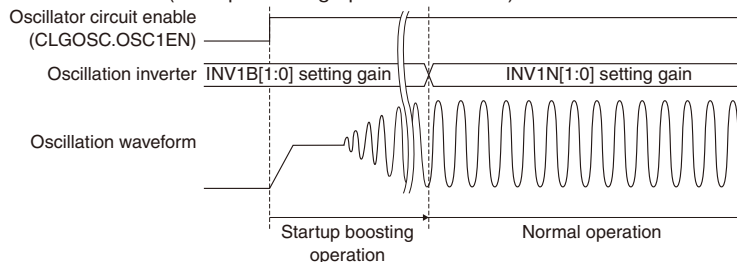


Figure 2.3.4.2 Operation Example when the Oscillation Startup Control Circuit is Used

Oscillation start procedure for the IOSC oscillator circuit

Follow the procedure shown below to start oscillation of the IOSC oscillator circuit.

1. Write 1 to the CLGINTF.IOSCSTAIF bit. (Clear interrupt flag)
2. Write 1 to the CLGINTE.IOSCSTAIE bit. (Enable interrupt)
3. Write 0x0096 to the SYSPROT.PROT[15:0] bits. (Remove system protection)
4. Configure the CLGIOSC.IOSCFQ[2:0] bits. (Select frequency)
5. Write a value other than 0x0096 to the SYSPROT.PROT[15:0] bits. (Set system protection)
6. Write 1 to the CLGOSC.IOSCEN bit. (Start oscillation)
7. IOSCCLK can be used if the CLGINTF.IOSCSTAIF bit = 1 after an interrupt occurs.

Oscillation start procedure for the OSC1 oscillator circuit

Follow the procedure shown below to start oscillation of the OSC1 oscillator circuit.

1. Write 1 to the CLGINTF.OSC1STAIF bit. (Clear interrupt flag)
2. Write 1 to the CLGINTE.OSC1STAIE bit. (Enable interrupt)
3. Write 0x0096 to the SYSPROT.PROT[15:0] bits. (Remove system protection)
4. Configure the following CLGOSC1 register bits according to the resonator used:
 - CLGOSC1.INV1N[1:0] bits (Set oscillation inverter gain)
 - CLGOSC1.CGI1[2:0] bits (Set internal gate capacitor)
 - CLGOSC1.OSC1WT[1:0] bits (Set oscillation stabilization waiting time)

In addition to the above, configure the following bits when using the oscillation startup control circuit (see Figure 2.3.4.2):

- CLGOSC1.INV1B[1:0] bits (Set oscillation inverter gain for startup boosting period)
 - Set the CLGOSC1.OSC1BUP bit to 1. (Enable oscillation startup control circuit)
5. Write a value other than 0x0096 to the SYSPROT.PROT[15:0] bits. (Set system protection)
 6. Write 1 to the CLGOSC.OSC1EN bit. (Start oscillation)
 7. OSC1CLK can be used if the CLGINTF.OSC1STAIF bit = 1 after an interrupt occurs.

The setting values of the CLGOSC1.INV1N[1:0], CLGOSC1.CGI1[2:0], CLGOSC1.OSC1WT[1:0], and CLGOSC1.INV1B[1:0] bits should be determined after performing evaluation using the populated circuit board.

Oscillation start procedure for the OSC3 oscillator circuit

Follow the procedure shown below to start oscillation of the OSC3 oscillator circuit.

1. Write 1 to the CLGINTF.OSC3STAIF bit. (Clear interrupt flag)
2. Write 1 to the CLGINTE.OSC3STAIE bit. (Enable interrupt)
3. Write 0x0096 to the SYSPROT.PROT[15:0] bits. (Remove system protection)
4. Configure the following CLGOSC3 register bits.
 - CLGOSC3.OSC3WT[2:0] bits (Set oscillation stabilization waiting time)
 - CLGOSC3.OSC3INV[1:0] bits (Set oscillation inverter gain)
5. Write a value other than 0x0096 to the SYSPROT.PROT[15:0] bits. (Set system protection)
6. Assign the OSC3 oscillator input/output functions to the ports. (Refer to the “I/O Ports” chapter.)
7. Write 1 to the CLGOSC.OSC3EN bit. (Start oscillation)
8. OSC3CLK can be used if the CLGINTF.OSC3STAIF bit = 1 after an interrupt occurs.

The setting values of the CLGOSC3.OSC3INV[1:0] and CLGOSC3.OSC3WT[2:0] bits should be determined after performing evaluation using the populated circuit board.

System clock switching

The CPU boots using IOSCCLK as SYSCLK. After booting, the clock source of SYSCLK can be switched according to the processing speed required. The SYSCLK frequency can also be set by selecting the clock source division ratio, this makes it possible to run the CPU at the most suitable performance for the process to be executed. The CLGSCLK.CLKSRC[1:0] and CLGSCLK.CLKDIV[1:0] bits are used for this control.

The CLGSCLK register bits are protected against writings by the system protect function, therefore, the system protection must be removed by writing 0x0096 to the SYSPROT.PROT[15:0] bits before the register setting can be altered. For the transition between the operating modes including the system clock switching, refer to “Operating Mode.”

Clock control in SLEEP mode

Whether the clock sources being operated are stopped or not when the CPU enters SLEEP mode (deep sleep mode) can be selected in each source individually. This allows the CPU to fast switch between SLEEP mode and RUN mode, and the peripheral circuits to continue operating without disabling the clock in SLEEP mode. The CLGOSC.IOSCSLPC, CLGOSC.OSC1SLPC, CLGOSC.OSC3SLPC, and CLGOSC.EXOSCSLPC bits are used for this control. Figure 2.3.4.3 shows a control example.

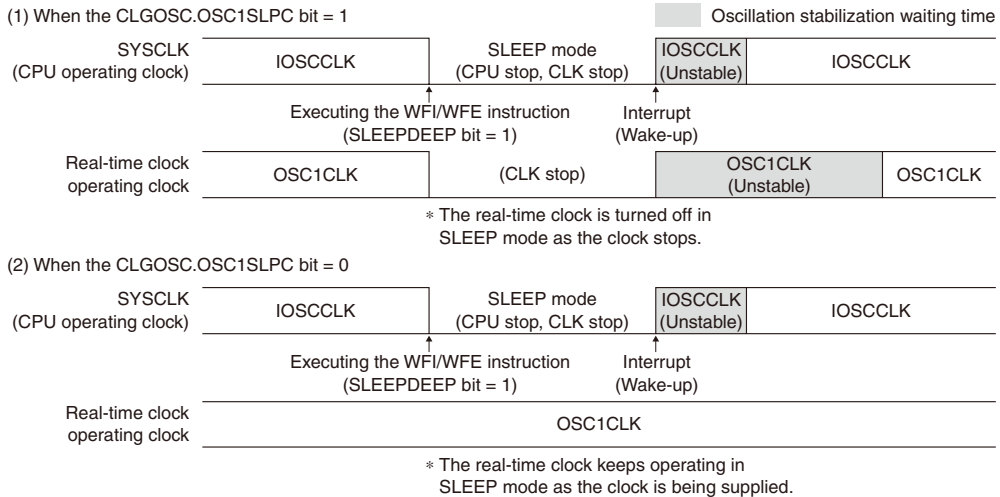


Figure 2.3.4.3 Clock Control Example in SLEEP Mode

The SYSCLK condition (clock source and division ratio) at wake-up from SLEEP mode to RUN mode can also be configured. This allows flexible clock control according to the wake-up process. Configure the clock using the CLGSCLK.WUPSRC[1:0] and CLGSCLK.WUPDIV[1:0] bits, and write 1 to the CLGSCLK.WUPMD bit to enable this function.

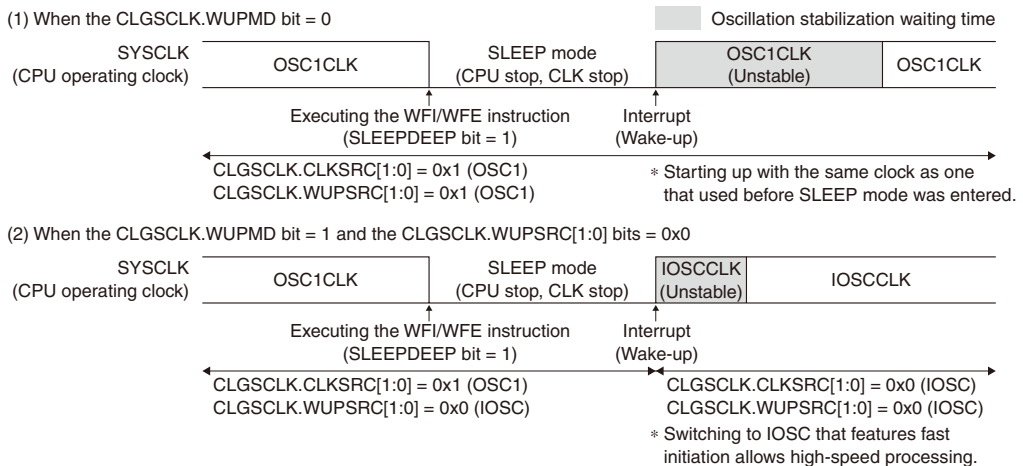


Figure 2.3.4.4 Clock Control Example at SLEEP Cancellation

Clock external output (FOUT)

The FOUT pin can output the clock generated by a clock source or its divided clock to outside the IC. This allows monitoring the oscillation frequency of the oscillator circuit or supplying an operating clock to external ICs. Follow the procedure shown below to start clock external output.

1. Assign the FOUT function to the port. (Refer to the “I/O Ports” chapter.)
2. Configure the following CLGFOUT register bits:
 - CLGFOUT.FOUTSRC[1:0] bits (Select clock source)
 - CLGFOUT.FOUTDIV[2:0] bits (Set clock division ratio)
 - Set the CLGFOUT.FOUTEN bit to 1. (Enable clock external output)

IOSC oscillation auto-trimming function

The auto-trimming function adjusts the IOSCCLK clock frequency selected using the CLGIOSC.IOSCFQ[2:0] bits by trimming the clock with reference to the high precision OSC1CLK clock generated by the OSC1 oscillator circuit. Follow the procedure shown below to enable the auto-trimming function.

1. After enabling the OSC1 oscillation, check if the stabilized clock is supplied (CLGINTF.OSC1STAIF bit = 1).
2. After enabling the IOSC oscillation, check if the stabilized clock is supplied (CLGINTF.IOSCSTAIF bit = 1).
3. Write 0x0096 to the SYSPROT.PROT[15:0] bits. (Remove system protection)
4. If the SYSCLK clock source is IOSC, set the CLGSCLK.CLKSRC[1:0] bits to a value other than 0x0 (IOSC).
5. Configure the following CLGINTF register bits:
 - Write 1 to the CLGINTF.IOSCTEDIF bit. (Clear interrupt flag)
 - Write 1 to the CLGINTF.IOSCTERIF bit. (Clear interrupt flag)
6. Configure the following CLGINTF register bits:
 - Set the CLGINTF.IOSCTEDIE bit to 1. (Enable interrupt)
 - Set the CLGINTF.IOSCTERIE bit to 1. (Enable interrupt)
7. Write 1 to the CLGIOSC.IOSCSTM bit. (Enable IOSC oscillation auto-trimming)
8. Write a value other than 0x0096 to the SYSPROT.PROT[15:0] bits. (Set system protection)
9. The trimmed IOSCCLK can be used if the CLGINTF.IOSCTEDIF bit = 1 after an interrupt occurs. If the CLGINTF.IOSCTERIF bit = 1, an error has occurred during the auto-trimming operation (the clock has not been adjusted).

After the trimming operation has completed, the CLGIOSC.IOSCSTM bit automatically reverts to 0. Although the trimming time depends on the temperature, an average of several 10 ms is required. When IOSCCLK is being used as the system clock or a peripheral circuit clock, do not use the auto-trimming function.

OSC1 oscillation stop detection function

The oscillation stop detection function restarts the OSC1 oscillator circuit when it detects oscillation stop under adverse environments that may stop the oscillation. Follow the procedure shown below to enable the oscillation stop detection function.

1. After enabling the OSC1 oscillation, check if the stabilized clock is supplied (CLGINTF.OSC1STAIF bit = 1).
2. Write 1 to the CLGINTF.OSC1STPIF bit. (Clear interrupt flag)
3. Write 1 to the CLGINTF.OSC1STPIE bit. (Enable interrupt)
4. Write 0x0096 to the SYSPROT.PROT[15:0] bits. (Remove system protection)
5. Set the following CLGOSC1 register bits:
 - Set the CLGOSC1.OSDRB bit to 1. (Enable OSC1 restart function)
 - Set the CLGOSC1.OSDEN bit to 1. (Enable oscillation stop detection function)
6. Write a value other than 0x0096 to the SYSPROT.PROT[15:0] bits. (Set system protection)
7. The OSC1 oscillation stops if the CLGINTF.OSC1STPIF bit = 1 after an interrupt occurs.
If the CLGOSC1.OSDRB bit = 1, the hardware restarts the OSC1 oscillator circuit.

Note: Enabling the oscillation stop detection function increase the oscillation stop detector current (I_{OSD1}).

2.4 Operating Mode

2.4.1 Initial Boot Sequence

Figure 2.4.1.1 shows the initial boot sequence after power is turned on.

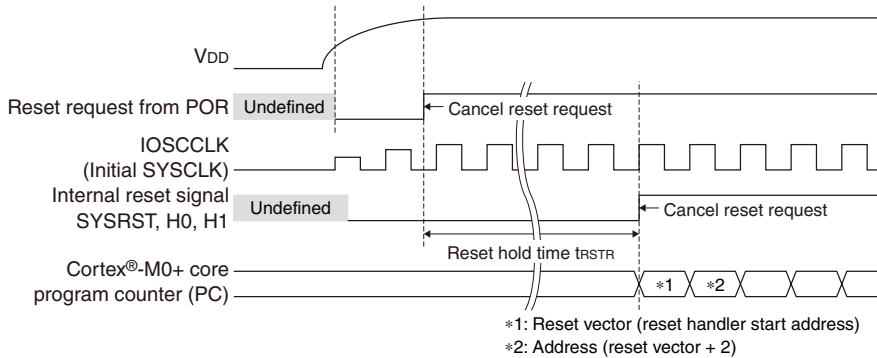


Figure 2.4.1.1 Initial Boot Sequence

Note: The reset cancellation time at power-on varies according to the power rise time and reset request cancellation time.

For the reset hold time tr_{STR} , refer to “Reset hold circuit characteristics” in the “Electrical Characteristics” chapter.

2.4.2 Transition between Operating Modes

State transitions between operating modes shown in Figure 2.4.2.1 take place in this IC.

RUN mode

RUN mode refers to the state in which the CPU is executing the program. A transition to this mode takes place when the system reset request from the system reset controller is canceled. RUN mode is classified into “IOSC RUN,” “OSC1 RUN,” “OSC3 RUN,” and “EXOSC RUN” by the SYSCLK clock source.

HALT mode

When the Cortex-M0+ core executes the WFI or WFE instruction with the SLEEPDEEP bit of the system control register set to 0, it suspends program execution and stops operating. This state is referred to HALT mode in this IC. In this mode, the clock sources and peripheral circuits keep operating. This mode can be set while no software processing is required and it reduces power consumption as compared with RUN mode. HALT mode is classified into “IOSC HALT,” “OSC1 HALT,” “OSC3 HALT,” and “EXOSC HALT” by the SYSCLK clock source.

SLEEP mode

When the Cortex-M0+ core executes the WFI or WFE instruction with the SLEEPDEEP bit of the system control register set to 1, it suspends program execution and stops operating. This state is referred to SLEEP mode in this IC. In this mode, the clock sources stop operating as well.

However, the clock source in which the CLGOSC.IOSCSLPC/OSC1SLPC/OSC3SLPC/EXOSCSLPC bit is set to 0 keeps operating, so the peripheral circuits with the clock being supplied can also operate. By setting this mode when no software processing and peripheral circuit operations are required, power consumption can be less than HALT mode.

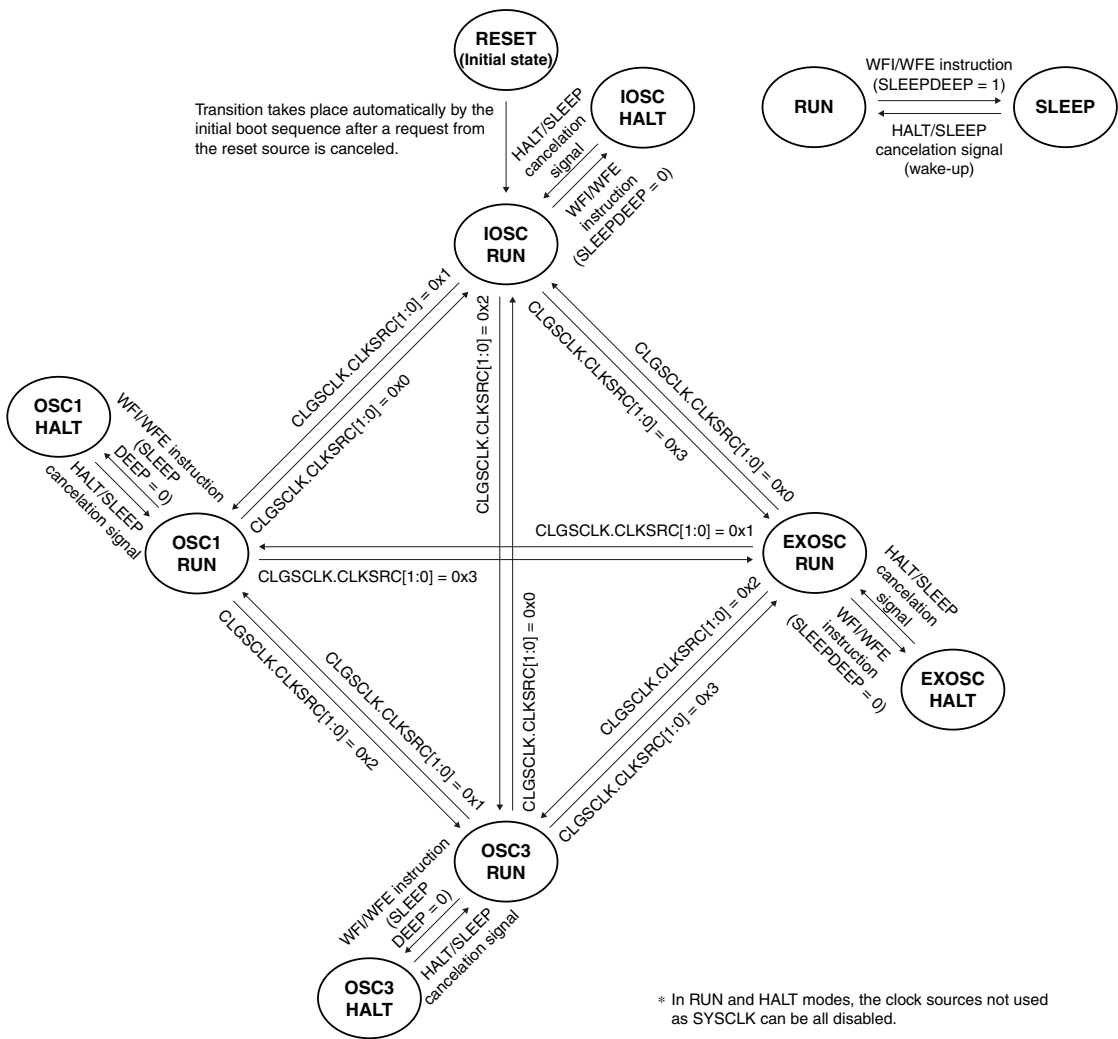


Figure 2.4.2.1 Operating Mode-to-Mode State Transition Diagram

Canceling HALT or SLEEP mode

The conditions listed below generate the HALT/SLEEP cancellation signal to cancel HALT or SLEEP mode and put the CPU into RUN mode.

- Interrupt request from a peripheral circuit
- NMI from the watchdog timer
- Reset request

2.5 Interrupts

CLG has a function to generate the interrupts shown in Table 2.5.1.

Table 2.5.1 CLG Interrupt Functions

Interrupt	Interrupt flag	Set condition	Clear condition
IOSC oscillation stabilization waiting completion	CLGINTF.IOSCSTAIF	When the IOSC oscillation stabilization waiting operation has completed after the oscillation starts	Writing 1
OSC1 oscillation stabilization waiting completion	CLGINTF.OSC1STAIF	When the OSC1 oscillation stabilization waiting operation has completed after the oscillation starts	Writing 1
OSC3 oscillation stabilization waiting completion	CLGINTF.OSC3STAIF	When the OSC3 oscillation stabilization waiting operation has completed after the oscillation starts	Writing 1
OSC1 oscillation stop	CLGINTF.OSC1STPIF	When OSC1CLK is stopped, or when the CLGOSC.OSC1EN or CLGOSC1.OSDEN bit setting is altered from 1 to 0.	Writing 1
IOSC oscillation auto-trimming completion	CLGINTF.IOSCTEDIF	When the IOSC oscillation auto-trimming operation has completed	Writing 1
IOSC oscillation auto-trimming error	CLGINTF.IOSCTERIF	When the IOSC oscillation auto-trimming operation has terminated due to an error	Writing 1

CLG provides interrupt enable bits corresponding to each interrupt flag. An interrupt request is sent to the CPU core only when the interrupt flag, of which interrupt has been enabled by the interrupt enable bit, is set. For more information on interrupt control, refer to the “Interrupt” chapter.

2.6 Control Registers

PWGA Control Register

Register name	Bit	Bit name	Initial	Reset	R/W	Remarks
PWGACTL	15–8	–	0x00	–	R	–
	7–6	–	0x0	–	R	
	5	REGDIS	0	H0	R/WP	
	4	REGSEL	1	H0	R/WP	
	3–2	–	0x0	–	R	
	1–0	REGMODE[1:0]	0x0	H0	R/WP	

Bits 15–6 Reserved

Bit 5 REGDIS

This bit enables the V_{D1} regulator discharge function.

1 (R/WP): Enable
0 (R/WP): Disable

Bit 4 REGSEL

This bit controls the V_{D1} regulator voltage mode.

1 (R/WP): mode0
0 (R/WP): mode1

Bits 3–2 Reserved

Bits 1–0 REGMODE[1:0]

These bits control the V_{D1} regulator operating mode.

Table 2.6.1 Internal Regulator Operating Mode

PWGACTL.REGMODE[1:0] bits	Operating mode
0x3	Economy mode
0x2	Normal mode
0x1	Reserved
0x0	Automatic mode

CLG System Clock Control Register

Register name	Bit	Bit name	Initial	Reset	R/W	Remarks
CLGSCLK	15	WUPMD	0	H0	R/WP	-
	14	-	0	-	R	
	13-12	WUPDIV[1:0]	0x0	H0	R/WP	
	11-10	-	0x0	-	R	
	9-8	WUPSRC[1:0]	0x0	H0	R/WP	
	7-6	-	0x0	-	R	
	5-4	CLKDIV[1:0]	0x0	H0	R/WP	
	3-2	-	0x0	-	R	
1-0	CLKSRC[1:0]	0x0	H0	R/WP		

Bit 15 WUPMD

This bit enables the SYSCLK switching function at wake-up.

1 (R/WP): Enable

0 (R/WP): Disable

When the CLGSCLK.WUPMD bit = 1, setting values of the CLGSCLK.WUPSRC[1:0] bits and the CLGSCLK.WUPDIV[1:0] bits are loaded to the CLGSCLK.CLKSRC[1:0] bits and the CLGSCLK.CLKDIV[1:0] bits, respectively, at wake-up from SLEEP mode to switch SYSCLK. When the CLGSCLK.WUPMD bit = 0, the CLGSCLK.CLKSRC[1:0] and CLGSCLK.CLKDIV[1:0] bits are not altered at wake-up.

Bit 14 Reserved

Bits 13-12 WUPDIV[1:0]

These bits select the SYSCLK division ratio for resetting the CLGSCLK.CLKDIV[1:0] bits at wake-up. This setting is ineffective when the CLGSCLK.WUPMD bit = 0.

Bits 11-10 Reserved

Bits 9-8 WUPSRC[1:0]

These bits select the SYSCLK clock source for resetting the CLGSCLK.CLKSRC[1:0] bits at wake-up. When a currently stopped clock source is selected, it will automatically start oscillating or clock input at wake-up. However, this setting is ineffective when the CLGSCLK.WUPMD bit = 0.

Table 2.6.2 SYSCLK Clock Source and Division Ratio Settings at Wake-up

CLGSCLK. WUPDIV[1:0] bits	CLGSCLK.WUPSRC[1:0] bits			
	0x0	0x1	0x2	0x3
	IOSCCLK	OSC1CLK	OSC3CLK	EXOSCCLK
0x3	1/8	Reserved	1/16	Reserved
0x2	1/4	Reserved	1/8	Reserved
0x1	1/2	1/2	1/2	Reserved
0x0	1/1	1/1	1/1	1/1

Bits 7-6 Reserved

Bits 5-4 CLKDIV[1:0]

These bits set the division ratio of the clock source to determine the SYSCLK frequency.

Bits 3-2 Reserved

Bits 1-0 CLKSRC[1:0]

These bits select the SYSCLK clock source.

When a currently stopped clock source is selected, it will automatically start oscillating or clock input.

Table 2.6.3 SYSCLK Clock Source and Division Ratio Settings

CLGSCLK. CLKDIV[1:0] bits	CLGSCLK.CLKSRC[1:0] bits			
	0x0	0x1	0x2	0x3
	IOSCCLK	OSC1CLK	OSC3CLK	EXOSCCLK
0x3	1/8	Reserved	1/16	Reserved
0x2	1/4	Reserved	1/8	Reserved
0x1	1/2	1/2	1/2	Reserved
0x0	1/1	1/1	1/1	1/1

CLG Oscillation Control Register

Register name	Bit	Bit name	Initial	Reset	R/W	Remarks
CLGOSC	15–12	–	0x0	–	R	–
	11	EXOSCSLPC	1	H0	R/W	
	10	OSC3SLPC	1	H0	R/W	
	9	OSC1SLPC	1	H0	R/W	
	8	IOSCSLPC	1	H0	R/W	
	7–4	–	0x0	–	R	
	3	EXOSCEN	0	H0	R/W	
	2	OSC3EN	0	H0	R/W	
	1	OSC1EN	0	H0	R/W	
	0	IOSCEN	1	H0	R/W	

Bits 15–12 Reserved

Bit 11 EXOSCSLPC

Bit 10 OSC3SLPC

Bit 9 OSC1SLPC

Bit 8 IOSCSLPC

These bits control the clock source operations in SLEEP mode.

1 (R/W): Stop clock source in SLEEP mode

0 (R/W): Continue operation state before SLEEP

Each bit corresponds to the clock source as follows:

CLGOSC.EXOSCSLPC bit: EXOSC clock input

CLGOSC.OSC3SLPC bit: OSC3 oscillator circuit

CLGOSC.OSC1SLPC bit: OSC1 oscillator circuit

CLGOSC.IOSCSLPC bit: IOSC oscillator circuit

Bits 7–4 Reserved

Bit 3 EXOSCEN

Bit 2 OSC3EN

Bit 1 OSC1EN

Bit 0 IOSCEN

These bits control the clock source operation.

1 (R/W): Start oscillating or clock input

0 (R/W): Stop oscillating or clock input

Each bit corresponds to the clock source as follows:

CLGOSC.EXOSCEN bit: EXOSC clock input

CLGOSC.OSC3EN bit: OSC3 oscillator circuit

CLGOSC.OSC1EN bit: OSC1 oscillator circuit

CLGOSC.IOSCEN bit: IOSC oscillator circuit

CLG IOSC Control Register

Register name	Bit	Bit name	Initial	Reset	R/W	Remarks
CLG IOSC	15–8	–	0x00	–	R	–
	7–5	–	0x0	–	R	
	4	IOSCSTM	0	H0	R/WP	
	3	–	0	–	R	
	2–0	IOSCFQ[2:0]	0x4	H0	R/WP	

Bits 15–5 Reserved

Bit 4 IOSCSTM

This bit controls the IOSCCLK auto-trimming function.

1 (WP): Start trimming

0 (WP): Stop trimming

1 (R): Trimming is executing.

0 (R): Trimming has finished. (Trimming operation inactivated.)

This bit is automatically cleared to 0 when trimming has finished.

Notes:

- Do not use IOSCCLK as the system clock or peripheral circuit clocks while the CLG IOSC. IOSCSTM bit = 1.

- The auto-trimming function does not work if the OSC1 oscillator circuit is stopped. Make sure the CLGINTF.OSC1STAIF bit is set to 1 before starting the trimming operation.

- Be sure to avoid altering the CLG IOSC.IOSCFQ[2:0] bits while the auto-trimming is being executed.

Bit 3 Reserved

Bits 2–0 IOSCFQ[2:0]

These bits select the IOSCCLK frequency.

Table 2.6.4 IOSCCLK Frequency Selection

CLG IOSC. IOSCFQ[2:0] bits	IOSCCLK frequency	
	V _{D1} voltage mode = mode0	V _{D1} voltage mode = mode1
0x7	20 MHz	Setting prohibited
0x6	16 MHz	
0x5	12 MHz	
0x4	8 MHz	
0x3	Reserved	
0x2		
0x1	2 MHz	2 MHz
0x0	1 MHz	1 MHz

CLG OSC1 Control Register

Register name	Bit	Bit name	Initial	Reset	R/W	Remarks
CLG OSC1	15	–	0	–	R	–
	14	OSDRB	1	H0	R/WP	
	13	OSDEN	0	H0	R/WP	
	12	OSC1BUP	1	H0	R/WP	
	11	–	0	–	R	
	10–8	CGI1[2:0]	0x0	H0	R/WP	
	7–6	INV1B[1:0]	0x2	H0	R/WP	
	5–4	INV1N[1:0]	0x1	H0	R/WP	
	3–2	–	0x0	–	R	
	1–0	OSC1WT[1:0]	0x2	H0	R/WP	

Bit 15 Reserved

Bit 14 OSDRB

This bit enables the OSC1 oscillator circuit restart function by the oscillation stop detector when OSC1 oscillation stop is detected.

1 (R/WP): Enable (Restart the OSC1 oscillator circuit when oscillation stop is detected.)

0 (R/WP): Disable

Bit 13 OSDEN

This bit controls the oscillation stop detector in the OSC1 oscillator circuit.

1 (R/WP): OSC1 oscillation stop detector on

0 (R/WP): OSC1 oscillation stop detector off

Note: Do not write 1 to the CLGOSC1.OSDEN bit before stabilized OSC1CLK is supplied. Furthermore, the CLGOSC1.OSDEN bit should be set to 0 when the CLGOSC.OSC1EN bit is set to 0.

Bit 12 OSC1BUP

This bit enables the oscillation startup control circuit in the OSC1 oscillator circuit.

1 (R/WP): Enable (Activate booster operation at startup.)

0 (R/WP): Disable

Bit 11 Reserved**Bits 10–8 CGI1[2:0]**

These bits set the internal gate capacitance in the OSC1 oscillator circuit.

Table 2.6.5 OSC1 Internal Gate Capacitance Setting

CLGOSC1.CGI1[2:0] bits	Capacitance
0x7	Max.
0x6	↑
0x5	
0x4	
0x3	
0x2	
0x1	↓
0x0	Min.

For more information, refer to “OSC1 oscillator circuit characteristics, Internal gate capacitance C_{GI1} ” in the “Electrical Characteristics” chapter.

Bits 7–6 INV1B[1:0]

These bits set the oscillation inverter gain that will be applied at boost startup of the OSC1 oscillator circuit.

Table 2.6.6 Setting Oscillation Inverter Gain at OSC1 Boost Startup

CLGOSC1.INV1B[1:0] bits	Inverter gain
0x3	Max.
0x2	↑
0x1	↓
0x0	Min.

Note: The CLGOSC1.INV1B[1:0] bits must be set to a value equal to or larger than the CLGOSC1.INV1N[1:0] bits.

Bits 5–4 INV1N[1:0]

These bits set the oscillation inverter gain applied at normal operation of the OSC1 oscillator circuit.

Table 2.6.7 Setting Oscillation Inverter Gain at OSC1 Normal Operation

CLGOSC1.INV1N[1:0] bits	Inverter gain
0x3	Max.
0x2	↑
0x1	↓
0x0	Min.

Bits 3–2 Reserved

2 POWER SUPPLY, RESET, AND CLOCKS

Bits 1–0 OSC1WT[1:0]

These bits set the oscillation stabilization waiting time for the OSC1 oscillator circuit.

Table 2.6.8 OSC1 Oscillation Stabilization Waiting Time Setting

CLGOSC1.OSC1WT[1:0] bits	Oscillation stabilization waiting time
0x3	65,536 clocks
0x2	16,384 clocks
0x1	4,096 clocks
0x0	Reserved

CLG OSC3 Control Register

Register name	Bit	Bit name	Initial	Reset	R/W	Remarks
CLGOSC3	15–8	–	0x00	–	R	–
	7–6	–	0x0	–	R	
	5–4	OSC3INV[1:0]	0x3	H0	R/WP	
	3	–	0	–	R	
	2–0	OSC3WT[2:0]	0x6	H0	R/WP	

Bits 15–6 **Reserved**

Bits 5–4 OSC3INV[1:0]

These bits set the oscillation inverter gain when crystal/ceramic oscillator is selected as the OSC3 oscillator type.

Table 2.6.9 OSC3 Oscillation Inverter Gain Setting

CLGOSC3.OSC3INV[1:0] bits	Inverter gain
0x3	Max.
0x2	↑
0x1	↓
0x0	Min.

Bit 3 **Reserved**

Bits 2–0 OSC3WT[2:0]

These bits set the oscillation stabilization waiting time for the OSC3 oscillator circuit.

Table 2.6.10 OSC3 Oscillation Stabilization Waiting Time Setting

CLGOSC3.OSC3WT[2:0] bits	Oscillation stabilization waiting time
0x7	65,536 clocks
0x6	16,384 clocks
0x5	4,096 clocks
0x4	1,024 clocks
0x3	256 clocks
0x2	64 clocks
0x1	16 clocks
0x0	4 clocks

CLG Interrupt Flag Register

Register name	Bit	Bit name	Initial	Reset	R/W	Remarks		
CLGINTF	15–9	–	0x00	–	R	–		
	8	IOSCTERIF	0	H0	R/W		Cleared by writing 1.	
	7	–	0	–	R		–	
	6	(reserved)	0	H0	R			
	5	OSC1STPIF	0	H0	R/W		Cleared by writing 1.	
	4	IOSCTEDIF	0	H0	R/W			
	3	–	0	–	R		–	
	2	OSC3STAIF	0	H0	R/W			Cleared by writing 1.
	1	OSC1STAIF	0	H0	R/W			
	0	IOSCSTAIF	0	H0	R/W			

Bits 15–9, 7, 6, 3 **Reserved**

Bit 8 **IOSCTERIF**
Bit 5 **OSC1STPIF**
Bit 4 **IOSCTEDIF**
Bit 2 **OSC3STAIF**
Bit 1 **OSC1STAIF**
Bit 0 **IOSCSTAIF**

These bits indicate the CLG interrupt cause occurrence statuses.

1 (R): Cause of interrupt occurred
 0 (R): No cause of interrupt occurred
 1 (W): Clear flag
 0 (W): Ineffective

Each bit corresponds to the interrupt as follows:

CLGINTF.IOSCTERIF bit: IOSC oscillation auto-trimming error interrupt
 CLGINTF.OSC1STPIF bit: OSC1 oscillation stop interrupt
 CLGINTF.IOSCTEDIF bit: IOSC oscillation auto-trimming completion interrupt
 CLGINTF.OSC3STAIF bit: OSC3 oscillation stabilization waiting completion interrupt
 CLGINTF.OSC1STAIF bit: OSC1 oscillation stabilization waiting completion interrupt
 CLGINTF.IOSCSTAIF bit: IOSC oscillation stabilization waiting completion interrupt

Note: The CLGINTF.IOSCSTAIF bit is 0 after system reset is canceled, but IOSCCCLK has already been stabilized.

CLG Interrupt Enable Register

Register name	Bit	Bit name	Initial	Reset	R/W	Remarks
CLGINTE	15–9	–	0x00	–	R	–
	8	IOSCTERIE	0	H0	R/W	
	7	–	0	–	R	
	6	(reserved)	0	H0	R	
	5	OSC1STPIE	0	H0	R/W	
	4	IOSCTEDIE	0	H0	R/W	
	3	–	0	–	R	
	2	OSC3STAIE	0	H0	R/W	
	1	OSC1STAIE	0	H0	R/W	
	0	IOSCSTAIE	0	H0	R/W	

Bits 15–9, 7, 6, 3 Reserved

Bit 8 **IOSCTERIE**
Bit 5 **OSC1STPIE**
Bit 4 **IOSCTEDIE**
Bit 2 **OSC3STAIE**
Bit 1 **OSC1STAIE**
Bit 0 **IOSCSTAIE**

These bits enable the OSC1 oscillation stop and IOSC oscillation auto-trimming completion interrupts.

1 (R/W): Enable interrupts
 0 (R/W): Disable interrupts

Each bit corresponds to the interrupt as follows:

CLGINTE.IOSCTERIE bit: IOSC oscillation auto-trimming error interrupt
 CLGINTE.OSC1STPIE bit: OSC1 oscillation stop interrupt
 CLGINTE.IOSCTEDIE bit: IOSC oscillation auto-trimming completion interrupt
 CLGINTE.OSC3STAIE bit: OSC3 oscillation stabilization waiting completion interrupt
 CLGINTE.OSC1STAIE bit: OSC1 oscillation stabilization waiting completion interrupt
 CLGINTE.IOSCSTAIE bit: IOSC oscillation stabilization waiting completion interrupt

CLGFOUT Control Register

Register name	Bit	Bit name	Initial	Reset	R/W	Remarks
CLGFOUT	15–8	–	0x00	–	R	–
	7	–	0	–	R	
	6–4	FOUTDIV[2:0]	0x0	H0	R/W	
	3–2	FOUTSRC[1:0]	0x0	H0	R/W	
	1	–	0	–	R	
	0	FOUTEN	0	H0	R/W	

Bits 15–7 Reserved

Bits 6–4 **FOUTDIV[2:0]**

These bits set the FOUT clock division ratio.

Bits 3–2 **FOUTSRC[1:0]**

These bits select the FOUT clock source.

Table 2.6.11 FOUT Clock Source and Division Ratio Settings

CLGFOUT. FOUTDIV[2:0] bits	CLGFOUT.FOUTSRC[1:0] bits			
	0x0	0x1	0x2	0x3
	IOSCCLK	OSC1CLK	OSC3CLK	SYSCLK
0x7	1/128	1/32,768	1/128	Reserved
0x6	1/64	1/4,096	1/64	Reserved
0x5	1/32	1/1,024	1/32	Reserved
0x4	1/16	1/256	1/16	Reserved
0x3	1/8	1/8	1/8	Reserved
0x2	1/4	1/4	1/4	Reserved
0x1	1/2	1/2	1/2	Reserved
0x0	1/1	1/1	1/1	1/1

Note: When the CLGFOUT.FOUTSRC[1:0] bits are set to 0x3, the FOUT output will be stopped in SLEEP/HALT mode as SYSCLK is stopped.

Bit 1 Reserved

Bit 0 **FOUTEN**

This bit controls the FOUT clock external output.

1 (R/W): Enable external output

0 (R/W): Disable external output

Note: Since the FOUT signal generated is out of sync with writings to the CLGFOUT.FOUTEN bit, a glitch may occur when the FOUT output is enabled or disabled.

3 CPU and Debugger

3.1 Overview

This IC incorporates a Cortex[®]-M0+ CPU core manufactured by U.K.-based ARM Ltd.

3.2 CPU Core

The following shows the system configuration of the Cortex[®]-M0+ CPU core embedded in this IC:

- Cortex[®]-M0+ core
- 32-bit single-cycle multiplier
- Nested vectored interrupt controller (NVIC)
- System timer (Systick)
- Serial-wire debug port (SW-DP)
- Micro trace buffer (MTB)
- Number of hardware break points: 4
- Number of watch points: 2

For detailed information on the Cortex[®]-M0+ CPU core, refer to the “Cortex[®]-M0+ Technical Reference Manual.”

3.3 Debugger

This IC includes a serial-wire debug port (SW-DP). For detailed information on the debug functions, refer to the “Cortex[®]-M0+ Technical Reference Manual.”

3.3.1 List of debugger input/output pins

Table 3.3.3.1 lists the debug pins.

Table 3.3.1.1 List of Debug Pins

Pin name	I/O	Initial state	Function
SWCLK	O	O	On-chip debugger clock input pin Input a clock from a debugging tool.
SWD	I/O	I	On-chip debugger data input/output pin Used to input/output debugging data.

The debugger input/output pins are shared with general-purpose I/O ports and are initially set as the debug pins. If the debugging function is not used, these pins can be switched to general-purpose I/O port pins. For details, refer to the “I/O Ports” chapter.

3.3.2 External Connection

Figure 3.3.2.1 shows a connection example between this IC and a debugging tool when performing debugging.

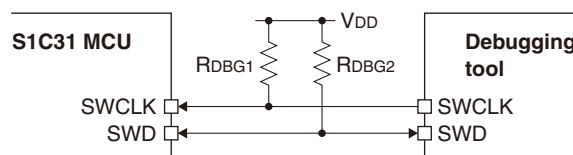


Figure 3.3.2.1 External Connection

For the recommended pull-up resistor value, refer to “Recommended Operating Conditions, Debug pin pull-up resistors RDBG1-2” in the “Electrical Characteristics” chapter. RDBG1 and RDBG2 are not required when using the debug pins as general-purpose I/O port pins.

4 Memory and Bus

4.1 Overview

This IC supports up to 4G bytes of accessible memory space for both instructions and data.

The features are listed below.

- Embedded Flash memory that supports on-board programming
- Write-protect function to protect system control registers

Figure 4.1.1 shows the memory map.

0xffff	ffff	Reserved
0xf024	0000	MTB area (256K bytes) (Device size: 32 bits)
0xf023	ffff	
0xf020	0000	Reserved
0xf01f	ffff	
0xf000	1000	System ROM table area (4K bytes) (Device size: 32 bits)
0xf000	0fff	
0xf000	0000	Reserved area for Cortex®-M0+ (256M bytes) (Device size: 32 bits)
0xefff	ffff	
0xe000	0000	Reserved
0xdfff	ffff	
0x4000	3000	Peripheral circuit area (4K bytes) (Device size: 32 bits)
0x4000	2fff	
0x4000	2000	Peripheral circuit area (8K bytes) (Device size: 16 bits)
0x4000	1fff	
0x4000	0000	Reserved
0x3fff	ffff	
0x2040	0400	USB area (1K bytes) (Device size: 16 bits)
0x2040	03ff	
0x2040	0000	Reserved
0x203f	ffff	
0x2020	0400	Display data RAM area (704 bytes) (Device size: 16 bits)
0x2020	03ff	
0x2020	0000	Reserved
0x201f	ffff	
0x2002	0000	RAM area (128K bytes) (Device size: 32 bits)
0x2001	ffff	
0x2000	0000	Reserved
0x1fff	ffff	
0x0018	0000	Memory mapped access area for external Flash memory (1M bytes) (Device size: 32 bits)
0x0017	ffff	
0x0008	0000	Flash area (512K bytes) (Device size: 32 bits)
0x0007	ffff	
0x0000	0000	

Figure 4.1.1 Memory Map

4.2 Bus Access Cycle

The CPU uses the system clock for bus access operations. First, “Bus access cycle,” “Device size,” and “Access size” are defined as follows:

- Bus access cycle: One system clock period = 1 cycle
- Device size: Bit width of the memory and peripheral circuits that can be accessed in one cycle
- Access size: Access size designated by the CPU instructions (e.g., LDR Rt, [Rn] → 32-bit data transfer)

Table 4.2.1 lists numbers of bus access cycles by different device size and access size. The peripheral circuits can be accessed with an 8- or 16-bit instruction.

Table 4.2.1 Number of Bus Access Cycles

Device size	Access size	Number of bus access cycles
8 bits	8 bits	1
	16 bits	2
	32 bits	4
16 bits	8 bits	1
	16 bits	1
	32 bits	2
32 bits	8 bits	1
	16 bits	1
	32 bits	1

4.3 Flash Memory

The Flash memory is used to store application programs and data. Address 0x0 in the Flash area is defined as the vector table base address by default, therefore a vector table must be located beginning from this address. For more information on the vector table, refer to “Vector Table” in the “Interrupt” chapter.

4.3.1 Flash Memory Pin

Table 4.3.1.1 shows the Flash memory pin.

Table 4.3.1.1 Flash Memory Pin

Pin name	I/O	Initial status	Function
V _{PP}	P	–	Flash programming power supply

For the V_{PP} voltage, refer to “Recommended Operating Conditions, Flash programming voltage V_{PP}” in the “Electrical Characteristics” chapter.

Note: Always leave the V_{PP} pin open except when programming the Flash memory.

4.3.2 Flash Bus Access Cycle Setting

There is a limit of frequency to access the Flash memory with no wait cycle, therefore, the number of bus access cycles for reading must be changed according to the system clock frequency. The number of bus access cycles for reading can be configured using the FLASHCWAIT.RDWAIT[1:0] bits. Select a setting for higher frequency than the system clock.

4.3.3 Flash Programming

The Flash memory supports on-board programming, so it can be programmed using a flash loader. The V_{PP} voltage can be supplied from either an external power supply or the internal voltage booster. Choose the flash loader according to the V_{PP} power supply to be used.

Note: When the internal voltage booster is used, 2.7 V or more V_{DD} voltage is required.

4.4 RAM

The RAM can be used to execute the instruction codes copied from another memory as well as storing variables or other data. This allows higher speed processing and lower power consumption than Flash memory.

4.5 Display Data RAM

The embedded display data RAM is used to store display data for the LCD driver. Areas unused for display data in the display data RAM can be used as a general-purpose RAM. For specific information on the display data RAM, refer to “Display Data RAM” in the “LCD Driver” chapter.

4.6 Peripheral Circuit Control Registers

The control registers for the peripheral circuits are located in the 12K-byte area beginning with address 0x4000 0000. Table 4.6.1 shows the control register map. For details of each control register, refer to “List of Peripheral Circuit Registers” in the appendix or “Control Registers” in each peripheral circuit chapter.

Table 4.6.1 Peripheral Circuit Control Register Map

Peripheral circuit	Address	Register name	
System register (SYS)	0x4000 0000	SYSPROT	System Protect Register
Power generator (PWGA)	0x4000 0020	PWGACTL	PWGA Control Register
Clock generator (CLG)	0x4000 0040	CLGSCLK	CLG System Clock Control Register
	0x4000 0042	CLGOSC	CLG Oscillation Control Register
	0x4000 0044	CLGIOSC	CLG IOSC Control Register
	0x4000 0046	CLGOSC1	CLG OSC1 Control Register
	0x4000 0048	CLGOSC3	CLG OSC3 Control Register
	0x4000 004c	CLGINTF	CLG Interrupt Flag Register
	0x4000 004e	CLGINTE	CLG Interrupt Enable Register
	0x4000 0050	CLGFOUT	CLG FOUT Control Register
Cache controller (CACHE)	0x4000 0080	CACHECTL	CACHE Control Register
Watchdog timer (WDT2)	0x4000 00a0	WDT2CLK	WDT2 Clock Control Register
	0x4000 00a2	WDT2CTL	WDT2 Control Register
	0x4000 00a4	WDT2CMP	WDT2 Counter Compare Match Register
Real-time clock (RTCA)	0x4000 00c0	RTCACTLL	RTCA Control Register (Low Byte)
	0x4000 00c1	RTCACTLH	RTCA Control Register (High Byte)
	0x4000 00c2	RTCAALM1	RTCA Second Alarm Register
	0x4000 00c4	RTCAALM2	RTCA Hour/Minute Alarm Register
	0x4000 00c6	RTCASWCTL	RTCA Stopwatch Control Register
	0x4000 00c8	RTCASEC	RTCA Second/1Hz Register
	0x4000 00ca	RTCAHUR	RTCA Hour/Minute Register
	0x4000 00cc	RTCAMON	RTCA Month/Day Register
	0x4000 00ce	RTCAYAR	RTCA Year/Week Register
	0x4000 00d0	RTCAINTF	RTCA Interrupt Flag Register
	0x4000 00d2	RTCAINTE	RTCA Interrupt Enable Register
	Supply voltage detector (SVD2) Ch.0	0x4000 0100	SVD2_0CLK
0x4000 0102		SVD2_0CTL	SVD2 Ch.0 Control Register
0x4000 0104		SVD2_0INTF	SVD2 Ch.0 Status and Interrupt Flag Register
0x4000 0106		SVD2_0INTE	SVD2 Ch.0 Interrupt Enable Register
16-bit timer (T16) Ch.0	0x4000 0160	T16_0CLK	T16 Ch.0 Clock Control Register
	0x4000 0162	T16_0MOD	T16 Ch.0 Mode Register
	0x4000 0164	T16_0CTL	T16 Ch.0 Control Register
	0x4000 0166	T16_0TR	T16 Ch.0 Reload Data Register
	0x4000 0168	T16_0TC	T16 Ch.0 Counter Data Register
	0x4000 016a	T16_0INTF	T16 Ch.0 Interrupt Flag Register
	0x4000 016c	T16_0INTE	T16 Ch.0 Interrupt Enable Register
	Flash controller (FLASHC)	0x4000 01b0	FLASHCWAIT
I/O ports (PPORT)	0x4000 0200	PPORTP0DAT	P0 Port Data Register
	0x4000 0202	PPORTP0IOEN	P0 Port Enable Register
	0x4000 0204	PPORTP0RCTL	P0 Port Pull-up/down Control Register
	0x4000 0206	PPORTP0INTF	P0 Port Interrupt Flag Register
	0x4000 0208	PPORTP0INTCTL	P0 Port Interrupt Control Register
	0x4000 020a	PPORTP0CHATEN	P0 Port Chattering Filter Enable Register
	0x4000 020c	PPORTP0MODESEL	P0 Port Mode Select Register
	0x4000 020e	PPORTP0FNCSEL	P0 Port Function Select Register

4 MEMORY AND BUS

Peripheral circuit	Address	Register name	
I/O ports (PPORT)	0x4000 0210	PPORTP1DAT	P1 Port Data Register
	0x4000 0212	PPORTP1IOEN	P1 Port Enable Register
	0x4000 0214	PPORTP1RCTL	P1 Port Pull-up/down Control Register
	0x4000 0216	PPORTP1INTF	P1 Port Interrupt Flag Register
	0x4000 0218	PPORTP1INTCTL	P1 Port Interrupt Control Register
	0x4000 021a	PPORTP1CHATEN	P1 Port Chattering Filter Enable Register
	0x4000 021c	PPORTP1MODSEL	P1 Port Mode Select Register
	0x4000 021e	PPORTP1FNCSEL	P1 Port Function Select Register
	0x4000 0220	PPORTP2DAT	P2 Port Data Register
	0x4000 0222	PPORTP2IOEN	P2 Port Enable Register
	0x4000 0224	PPORTP2RCTL	P2 Port Pull-up/down Control Register
	0x4000 0226	PPORTP2INTF	P2 Port Interrupt Flag Register
	0x4000 0228	PPORTP2INTCTL	P2 Port Interrupt Control Register
	0x4000 022a	PPORTP2CHATEN	P2 Port Chattering Filter Enable Register
	0x4000 022c	PPORTP2MODSEL	P2 Port Mode Select Register
	0x4000 022e	PPORTP2FNCSEL	P2 Port Function Select Register
	0x4000 0230	PPORTP3DAT	P3 Port Data Register
	0x4000 0232	PPORTP3IOEN	P3 Port Enable Register
	0x4000 0234	PPORTP3RCTL	P3 Port Pull-up/down Control Register
	0x4000 0236	PPORTP3INTF	P3 Port Interrupt Flag Register
	0x4000 0238	PPORTP3INTCTL	P3 Port Interrupt Control Register
	0x4000 023a	PPORTP3CHATEN	P3 Port Chattering Filter Enable Register
	0x4000 023c	PPORTP3MODSEL	P3 Port Mode Select Register
	0x4000 023e	PPORTP3FNCSEL	P3 Port Function Select Register
	0x4000 0240	PPORTP4DAT	P4 Port Data Register
	0x4000 0242	PPORTP4IOEN	P4 Port Enable Register
	0x4000 0244	PPORTP4RCTL	P4 Port Pull-up/down Control Register
	0x4000 0246	PPORTP4INTF	P4 Port Interrupt Flag Register
	0x4000 0248	PPORTP4INTCTL	P4 Port Interrupt Control Register
	0x4000 024a	PPORTP4CHATEN	P4 Port Chattering Filter Enable Register
	0x4000 024c	PPORTP4MODSEL	P4 Port Mode Select Register
	0x4000 024e	PPORTP4FNCSEL	P4 Port Function Select Register
	0x4000 0250	PPORTP5DAT	P5 Port Data Register
	0x4000 0252	PPORTP5IOEN	P5 Port Enable Register
	0x4000 0254	PPORTP5RCTL	P5 Port Pull-up/down Control Register
	0x4000 0256	PPORTP5INTF	P5 Port Interrupt Flag Register
	0x4000 0258	PPORTP5INTCTL	P5 Port Interrupt Control Register
	0x4000 025a	PPORTP5CHATEN	P5 Port Chattering Filter Enable Register
	0x4000 025c	PPORTP5MODSEL	P5 Port Mode Select Register
	0x4000 025e	PPORTP5FNCSEL	P5 Port Function Select Register
	0x4000 0260	PPORTP6DAT	P6 Port Data Register
	0x4000 0262	PPORTP6IOEN	P6 Port Enable Register
	0x4000 0264	PPORTP6RCTL	P6 Port Pull-up/down Control Register
	0x4000 0266	PPORTP6INTF	P6 Port Interrupt Flag Register
	0x4000 0268	PPORTP6INTCTL	P6 Port Interrupt Control Register
	0x4000 026a	PPORTP6CHATEN	P6 Port Chattering Filter Enable Register
	0x4000 026c	PPORTP6MODSEL	P6 Port Mode Select Register
	0x4000 026e	PPORTP6FNCSEL	P6 Port Function Select Register
	0x4000 0270	PPORTP7DAT	P7 Port Data Register
0x4000 0272	PPORTP7IOEN	P7 Port Enable Register	
0x4000 0274	PPORTP7RCTL	P7 Port Pull-up/down Control Register	
0x4000 0276	PPORTP7INTF	P7 Port Interrupt Flag Register	
0x4000 0278	PPORTP7INTCTL	P7 Port Interrupt Control Register	
0x4000 027a	PPORTP7CHATEN	P7 Port Chattering Filter Enable Register	
0x4000 027c	PPORTP7MODSEL	P7 Port Mode Select Register	
0x4000 027e	PPORTP7FNCSEL	P7 Port Function Select Register	
0x4000 0280	PPORTP8DAT	P8 Port Data Register	
0x4000 0282	PPORTP8IOEN	P8 Port Enable Register	
0x4000 0284	PPORTP8RCTL	P8 Port Pull-up/down Control Register	
0x4000 0286	PPORTP8INTF	P8 Port Interrupt Flag Register	
0x4000 0288	PPORTP8INTCTL	P8 Port Interrupt Control Register	
0x4000 028a	PPORTP8CHATEN	P8 Port Chattering Filter Enable Register	
0x4000 028c	PPORTP8MODSEL	P8 Port Mode Select Register	
0x4000 028e	PPORTP8FNCSEL	P8 Port Function Select Register	
0x4000 0290	PPORTP9DAT	P9 Port Data Register	

Peripheral circuit	Address	Register name	
I/O ports (PPORT)	0x4000 0292	PPORTP9IOEN	P9 Port Enable Register
	0x4000 0294	PPORTP9RCTL	P9 Port Pull-up/down Control Register
	0x4000 0296	PPORTP9INTF	P9 Port Interrupt Flag Register
	0x4000 0298	PPORTP9INTCTL	P9 Port Interrupt Control Register
	0x4000 029a	PPORTP9CHATEN	P9 Port Chattering Filter Enable Register
	0x4000 029c	PPORTP9MODESEL	P9 Port Mode Select Register
	0x4000 029e	PPORTP9FNCSEL	P9 Port Function Select Register
	0x4000 02d0	PPORTPDDAT	Pd Port Data Register
	0x4000 02d2	PPORTPDIOEN	Pd Port Enable Register
	0x4000 02d4	PPORTPDRCTL	Pd Port Pull-up/down Control Register
	0x4000 02dc	PPORTPDMODESEL	Pd Port Mode Select Register
	0x4000 02de	PPORTPDFNCSEL	Pd Port Function Select Register
	0x4000 02e0	PPORTCLK	P Port Clock Control Register
	0x4000 02e2	PPORTINTFGRP	P Port Interrupt Flag Group Register
	Universal port multiplexer (UPMUX)	0x4000 0300	UPMUXP0MUX0
0x4000 0302		UPMUXP0MUX1	P02–03 Universal Port Multiplexer Setting Register
0x4000 0304		UPMUXP0MUX2	P04–05 Universal Port Multiplexer Setting Register
0x4000 0306		UPMUXP0MUX3	P06–07 Universal Port Multiplexer Setting Register
0x4000 0308		UPMUXP1MUX0	P10–11 Universal Port Multiplexer Setting Register
0x4000 030a		UPMUXP1MUX1	P12–13 Universal Port Multiplexer Setting Register
0x4000 030c		UPMUXP1MUX2	P14–15 Universal Port Multiplexer Setting Register
0x4000 030e		UPMUXP1MUX3	P16–17 Universal Port Multiplexer Setting Register
0x4000 0318		UPMUXP3MUX0	P30–31 Universal Port Multiplexer Setting Register
0x4000 031a		UPMUXP3MUX1	P32–33 Universal Port Multiplexer Setting Register
0x4000 031c		UPMUXP3MUX2	P34–35 Universal Port Multiplexer Setting Register
0x4000 031e		UPMUXP3MUX3	P36–37 Universal Port Multiplexer Setting Register
UART (UART2) Ch.0		0x4000 0380	UART2_0CLK
	0x4000 0382	UART2_0MOD	UART2 Ch.0 Mode Register
	0x4000 0384	UART2_0BR	UART2 Ch.0 Baud-Rate Register
	0x4000 0386	UART2_0CTL	UART2 Ch.0 Control Register
	0x4000 0388	UART2_0TXD	UART2 Ch.0 Transmit Data Register
	0x4000 038a	UART2_0RXD	UART2 Ch.0 Receive Data Register
	0x4000 038c	UART2_0INTF	UART2 Ch.0 Status and Interrupt Flag Register
	0x4000 038e	UART2_0INTE	UART2 Ch.0 Interrupt Enable Register
	0x4000 0390	UART2_0 TBEDMAEN	UART2 Ch.0 Transmit Buffer Empty DMA Request Enable Register
	0x4000 0392	UART2_0 RB1FDMAEN	UART2 Ch.0 Receive Buffer One Byte Full DMA Request Enable Register
	16-bit timer (T16) Ch.1	0x4000 03a0	T16_1CLK
0x4000 03a2		T16_1MOD	T16 Ch.1 Mode Register
0x4000 03a4		T16_1CTL	T16 Ch.1 Control Register
0x4000 03a6		T16_1TR	T16 Ch.1 Reload Data Register
0x4000 03a8		T16_1TC	T16 Ch.1 Counter Data Register
0x4000 03aa		T16_1INTF	T16 Ch.1 Interrupt Flag Register
0x4000 03ac		T16_1INTE	T16 Ch.1 Interrupt Enable Register
Synchronous serial interface (SPIA) Ch.0	0x4000 03b0	SPIA_0MOD	SPIA Ch.0 Mode Register
	0x4000 03b2	SPIA_0CTL	SPIA Ch.0 Control Register
	0x4000 03b4	SPIA_0TXD	SPIA Ch.0 Transmit Data Register
	0x4000 03b6	SPIA_0RXD	SPIA Ch.0 Receive Data Register
	0x4000 03b8	SPIA_0INTF	SPIA Ch.0 Interrupt Flag Register
	0x4000 03ba	SPIA_0INTE	SPIA Ch.0 Interrupt Enable Register
	0x4000 03bc	SPIA_0TBEDMAEN	SPIA Ch.0 Transmit Buffer Empty DMA Request Enable Register
	0x4000 03be	SPIA_0RBFDMAEN	SPIA Ch.0 Receive Buffer Full DMA Request Enable Register
I ² C (I2C) Ch.0	0x4000 03c0	I2C_0CLK	I2C Ch.0 Clock Control Register
	0x4000 03c2	I2C_0MOD	I2C Ch.0 Mode Register
	0x4000 03c4	I2C_0BR	I2C Ch.0 Baud-Rate Register
	0x4000 03c8	I2C_0OADR	I2C Ch.0 Own Address Register
	0x4000 03ca	I2C_0CTL	I2C Ch.0 Control Register
	0x4000 03cc	I2C_0TXD	I2C Ch.0 Transmit Data Register
	0x4000 03ce	I2C_0RXD	I2C Ch.0 Receive Data Register
	0x4000 03d0	I2C_0INTF	I2C Ch.0 Status and Interrupt Flag Register
	0x4000 03d2	I2C_0INTE	I2C Ch.0 Interrupt Enable Register

4 MEMORY AND BUS

Peripheral circuit	Address	Register name	
I ² C (I2C) Ch.0	0x4000 03d4	I2C_0TBEDMAEN	I2C Ch.0 Transmit Buffer Empty DMA Request Enable Register
	0x4000 03d6	I2C_0RBFDMAEN	I2C Ch.0 Receive Buffer Full DMA Request Enable Register
16-bit PWM timer (T16B) Ch.0	0x4000 0400	T16B_0CLK	T16B Ch.0 Clock Control Register
	0x4000 0402	T16B_0CTL	T16B Ch.0 Counter Control Register
	0x4000 0404	T16B_0MC	T16B Ch.0 Max Counter Data Register
	0x4000 0406	T16B_0TC	T16B Ch.0 Timer Counter Data Register
	0x4000 0408	T16B_0CS	T16B Ch.0 Counter Status Register
	0x4000 040a	T16B_0INTF	T16B Ch.0 Interrupt Flag Register
	0x4000 040c	T16B_0INTE	T16B Ch.0 Interrupt Enable Register
	0x4000 040e	T16B_0MZDMAEN	T16B Ch.0 Counter Max/Zero DMA Request Enable Register
	0x4000 0410	T16B_0CCCTL0	T16B Ch.0 Compare/Capture 0 Control Register
	0x4000 0412	T16B_0CCR0	T16B Ch.0 Compare/Capture 0 Data Register
	0x4000 0414	T16B_0CC0DMAEN	T16B Ch.0 Compare/Capture 0 DMA Request Enable Register
	0x4000 0418	T16B_0CCCTL1	T16B Ch.0 Compare/Capture 1 Control Register
	0x4000 041a	T16B_0CCR1	T16B Ch.0 Compare/Capture 1 Data Register
	0x4000 041c	T16B_0CC1DMAEN	T16B Ch.0 Compare/Capture 1 DMA Request Enable Register
16-bit PWM timer (T16B) Ch.1	0x4000 0440	T16B_1CLK	T16B Ch.1 Clock Control Register
	0x4000 0442	T16B_1CTL	T16B Ch.1 Counter Control Register
	0x4000 0444	T16B_1MC	T16B Ch.1 Max Counter Data Register
	0x4000 0446	T16B_1TC	T16B Ch.1 Timer Counter Data Register
	0x4000 0448	T16B_1CS	T16B Ch.1 Counter Status Register
	0x4000 044a	T16B_1INTF	T16B Ch.1 Interrupt Flag Register
	0x4000 044c	T16B_1INTE	T16B Ch.1 Interrupt Enable Register
	0x4000 044e	T16B_1MZDMAEN	T16B Ch.1 Counter Max/Zero DMA Request Enable Register
	0x4000 0450	T16B_1CCCTL0	T16B Ch.1 Compare/Capture 0 Control Register
	0x4000 0452	T16B_1CCR0	T16B Ch.1 Compare/Capture 0 Data Register
	0x4000 0454	T16B_1CC0DMAEN	T16B Ch.1 Compare/Capture 0 DMA Request Enable Register
	0x4000 0458	T16B_1CCCTL1	T16B Ch.1 Compare/Capture 1 Control Register
	0x4000 045a	T16B_1CCR1	T16B Ch.1 Compare/Capture 1 Data Register
	0x4000 045c	T16B_1CC1DMAEN	T16B Ch.1 Compare/Capture 1 DMA Request Enable Register
16-bit timer (T16) Ch.3	0x4000 0480	T16_3CLK	T16 Ch.3 Clock Control Register
	0x4000 0482	T16_3MOD	T16 Ch.3 Mode Register
	0x4000 0484	T16_3CTL	T16 Ch.3 Control Register
	0x4000 0486	T16_3TR	T16 Ch.3 Reload Data Register
	0x4000 0488	T16_3TC	T16 Ch.3 Counter Data Register
	0x4000 048a	T16_3INTF	T16 Ch.3 Interrupt Flag Register
	0x4000 048c	T16_3INTE	T16 Ch.3 Interrupt Enable Register
	UART (UART2) Ch.1	0x4000 0600	UART2_1CLK
0x4000 0602		UART2_1MOD	UART2 Ch.1 Mode Register
0x4000 0604		UART2_1BR	UART2 Ch.1 Baud-Rate Register
0x4000 0606		UART2_1CTL	UART2 Ch.1 Control Register
0x4000 0608		UART2_1TXD	UART2 Ch.1 Transmit Data Register
0x4000 060a		UART2_1RXD	UART2 Ch.1 Receive Data Register
0x4000 060c		UART2_1INTF	UART2 Ch.1 Status and Interrupt Flag Register
0x4000 060e		UART2_1INTE	UART2 Ch.1 Interrupt Enable Register
0x4000 0610		UART2_1TBEDMAEN	UART2 Ch.1 Transmit Buffer Empty DMA Request Enable Register
0x4000 0612		UART2_1RBFDMAEN	UART2 Ch.1 Receive Buffer One Byte Full DMA Request Enable Register
16-bit timer (T16) Ch.2	0x4000 0680	T16_2CLK	T16 Ch.2 Clock Control Register
	0x4000 0682	T16_2MOD	T16 Ch.2 Mode Register
	0x4000 0684	T16_2CTL	T16 Ch.2 Control Register
	0x4000 0686	T16_2TR	T16 Ch.2 Reload Data Register
	0x4000 0688	T16_2TC	T16 Ch.2 Counter Data Register
	0x4000 068a	T16_2INTF	T16 Ch.2 Interrupt Flag Register
	0x4000 068c	T16_2INTE	T16 Ch.2 Interrupt Enable Register

Peripheral circuit	Address		Register name
Quad synchronous serial interface (QSPI) Ch.0	0x4000 0690	QSPI_0MOD	QSPI Ch.0 Mode Register
	0x4000 0692	QSPI_0CTL	QSPI Ch.0 Control Register
	0x4000 0694	QSPI_0TXD	QSPI Ch.0 Transmit Data Register
	0x4000 0696	QSPI_0RXD	QSPI Ch.0 Receive Data Register
	0x4000 0698	QSPI_0INTF	QSPI Ch.0 Interrupt Flag Register
	0x4000 069a	QSPI_0INTE	QSPI Ch.0 Interrupt Enable Register
	0x4000 069c	QSPI_0TBEDMAEN	QSPI Ch.0 Transmit Buffer Empty DMA Request Enable Register
	0x4000 069e	QSPI_0RBFDMAEN	QSPI Ch.0 Receive Buffer Full DMA Request Enable Register
	0x4000 06a0	QSPI_0FRLDMAEN	QSPI Ch.0 FIFO Data Ready DMA Request Enable Register
	0x4000 06a2	QSPI_0MMACFG1	QSPI Ch.0 Memory Mapped Access Configuration Register 1
	0x4000 06a4	QSPI_0RMADRH	QSPI Ch.0 Remapping Start Address High Register
	0x4000 06a6	QSPI_0MMACFG2	QSPI Ch.0 Memory Mapped Access Configuration Register 2
	0x4000 06a8	QSPI_0nMB	QSPI Ch.0 Mode Byte Register
I ² C (I2C) Ch.1	0x4000 06c0	I2C_1CLK	I2C Ch.1 Clock Control Register
	0x4000 06c2	I2C_1MOD	I2C Ch.1 Mode Register
	0x4000 06c4	I2C_1BR	I2C Ch.1 Baud-Rate Register
	0x4000 06c8	I2C_1OADR	I2C Ch.1 Own Address Register
	0x4000 06ca	I2C_1CTL	I2C Ch.1 Control Register
	0x4000 06cc	I2C_1TXD	I2C Ch.1 Transmit Data Register
	0x4000 06ce	I2C_1RXD	I2C Ch.1 Receive Data Register
	0x4000 06d0	I2C_1INTF	I2C Ch.1 Status and Interrupt Flag Register
	0x4000 06d2	I2C_1INTE	I2C Ch.1 Interrupt Enable Register
	0x4000 06d4	I2C_1TBEDMAEN	I2C Ch.1 Transmit Buffer Empty DMA Request Enable Register
	0x4000 06d6	I2C_1RBFDMAEN	I2C Ch.1 Receive Buffer Full DMA Request Enable Register
	Sound generator (SNDA)	0x4000 0700	SNDACLK
0x4000 0702		SNDASEL	SNDA Select Register
0x4000 0704		SNDACTL	SNDA Control Register
0x4000 0706		SNDADAT	SNDA Data Register
0x4000 0708		SNDAINTF	SNDA Interrupt Flag Register
0x4000 070a		SNDAINTE	SNDA Interrupt Enable Register
0x4000 070c		SNDAEMDMAEN	SNDA Sound Buffer Empty DMA Request Enable Register
IR remote controller (REMC2)	0x4000 0720	REMC2CLK	REMC2 Clock Control Register
	0x4000 0722	REMC2DBCTL	REMC2 Data Bit Counter Control Register
	0x4000 0724	REMC2DBCNT	REMC2 Data Bit Counter Register
	0x4000 0726	REMC2APLEN	REMC2 Data Bit Active Pulse Length Register
	0x4000 0728	REMC2DBLEN	REMC2 Data Bit Length Register
	0x4000 072a	REMC2INTF	REMC2 Status and Interrupt Flag Register
	0x4000 072c	REMC2INTE	REMC2 Interrupt Enable Register
	0x4000 0730	REMC2CARR	REMC2 Carrier Waveform Register
	0x4000 0732	REMC2CCTL	REMC2 Carrier Modulation Control Register
LCD driver (LCD32B)	0x4000 0800	LCD32BCLK	LCD32B Clock Control Register
	0x4000 0802	LCD32BCTL	LCD32B Control Register
	0x4000 0804	LCD32BTIM1	LCD32B Timing Control Register 1
	0x4000 0806	LCD32BTIM2	LCD32B Timing Control Register 2
	0x4000 0808	LCD32BPWR	LCD32B Power Control Register
	0x4000 080a	LCD32BDSP	LCD32B Display Control Register
	0x4000 080c	LCD32BCOMC0	LCD32B COM Pin Control Register 0
	0x4000 080e	LCD32BCOMC1	LCD32B COM Pin Control Register 1
	0x4000 0810	LCD32BINTF	LCD32B Interrupt Flag Register
	0x4000 0812	LCD32BINTE	LCD32B Interrupt Enable Register
R/F converter (RFC) Ch.0	0x4000 0840	RFC_0CLK	RFC Ch.0 Clock Control Register
	0x4000 0842	RFC_0CTL	RFC Ch.0 Control Register
	0x4000 0844	RFC_0TRG	RFC Ch.0 Oscillation Trigger Register
	0x4000 0846	RFC_0MCL	RFC Ch.0 Measurement Counter Low Register
	0x4000 0848	RFC_0MCH	RFC Ch.0 Measurement Counter High Register
	0x4000 084a	RFC_0TCL	RFC Ch.0 Time Base Counter Low Register
	0x4000 084c	RFC_0TCH	RFC Ch.0 Time Base Counter High Register

4 MEMORY AND BUS

Peripheral circuit	Address	Register name	
R/F converter (RFC) Ch.0	0x4000 084e	RFC_OINTF	RFC Ch.0 Interrupt Flag Register
	0x4000 0850	RFC_OINTE	RFC Ch.0 Interrupt Enable Register
USB 2.0 FS device controller (USB)	0x2040 0002	USBCTL	USB Control Register
	0x2040 0003	USBTRCTL	USB Transceiver Control Register
	0x2040 0004	USBSTAT	USB Status Register
	0x2040 0008	USBEPCTL	USB Endpoint Control Register
	0x2040 0009	USBGPEPFIFOCLR	USB General-Purpose Endpoint FIFO Clear Register
	0x2040 000a	USBFIFORDCYC	USB FIFO Read Cycle Setup Register
	0x2040 000e	USBREV	USB Revision Number Register
	0x2040 0010	USBEP0SETUP0	USB EP0 Setup Data Register 0
	0x2040 0011	USBEP0SETUP1	USB EP0 Setup Data Register 1
	0x2040 0012	USBEP0SETUP2	USB EP0 Setup Data Register 2
	0x2040 0013	USBEP0SETUP3	USB EP0 Setup Data Register 3
	0x2040 0014	USBEP0SETUP4	USB EP0 Setup Data Register 4
	0x2040 0015	USBEP0SETUP5	USB EP0 Setup Data Register 5
	0x2040 0016	USBEP0SETUP6	USB EP0 Setup Data Register 6
	0x2040 0017	USBEP0SETUP7	USB EP0 Setup Data Register 7
	0x2040 0018	USBADDR	USB Address Register
	0x2040 001a	USBEP0CFG	USB EP0 Configuration Register
	0x2040 001b	USBEP0SIZE	USB EP0 Maximum Packet Size Register
	0x2040 001c	USBEP0ICTL	USB EP0 IN Transaction Control Register
	0x2040 001d	USBEP0OCTL	USB EP0 OUT Transaction Control Register
	0x2040 0020	USBEPaCTL	USB EPa Control Register
	0x2040 0022	USBEPbCTL	USB EPb Control Register
	0x2040 0024	USBEPcCTL	USB EPc Control Register
	0x2040 0030	USBEPaCFG	USB EPa Configuration Register
	0x2040 0031	USBEPaMAXSZ	USB EPa Maximum Packet Size Register
	0x2040 0032	USBEPbCFG	USB EPb Configuration Register
	0x2040 0033	USBEPbMAXSZ	USB EPb Maximum Packet Size Register
	0x2040 0034	USBEPcCFG	USB EPc Configuration Register
	0x2040 0035	USBEPcMAXSZ	USB EPc Maximum Packet Size Register
	0x2040 0040	USBRDFIFOSEL	USB Read FIFO Select Register
	0x2040 0041	USBWRFIFOSEL	USB Write FIFO Select Register
	0x2040 0042	USBFIFORWEN	USB FIFO Read/Write Enable Register
	0x2040 0046	USBREMDATCNT	USB Remaining FIFO Data Count Register
	0x2040 0048	USBREMSPCCNT	USB Remaining FIFO Space Count Register
	0x2040 004a	USBDBGGRAMADDR	USB Debug RAM Address Register
	0x2040 0050	USBMAININTF	USB Main Interrupt Flag Register
	0x2040 0051	USBSIEINTF	USB SIE Interrupt Flag Register
	0x2040 0052	USBGPEPINTF	USB General-Purpose Endpoint Interrupt Flag Register
	0x2040 0053	USBEP0INTF	USB EP0 Interrupt Flag Register
	0x2040 0054	USBEPaINTF	USB EPa Interrupt Flag Register
	0x2040 0055	USBEPbINTF	USB EPb Interrupt Flag Register
	0x2040 0056	USBEPcINTF	USB EPc Interrupt Flag Register
	0x2040 0060	USBMAININTE	USB Main Interrupt Enable Register
	0x2040 0061	USBSIEINTE	USB SIE Interrupt Enable Register
	0x2040 0062	USBGPEPINTE	USB General-Purpose Endpoint Interrupt Enable Register
	0x2040 0063	USBEP0INTE	USB EP0 Interrupt Enable Register
	0x2040 0064	USBEPaINTE	USB EPa Interrupt Enable Register
0x2040 0065	USBEPbINTE	USB EPb Interrupt Enable Register	
0x2040 0066	USBEPcINTE	USB EPc Interrupt Enable Register	
0x2040 0100	USBFIFODAT	USB FIFO Data Register	
0x2040 0104	USBDBGGRAMDAT	USB Debug RAM Data Register	
0x4000 0970	USBMISCCTL	USB Misc Control Register	
0x4000 0974	USBMISCWRDMAEN	USB FIFO Write DMA Request Enable Register	
0x4000 0976	USBMISCRDDMAEN	USB FIFO Read DMA Request Enable Register	
Supply voltage detector (SVD2) Ch.1	0x4000 0980	SVD2_1CLK	SVD2 Ch.1 Clock Control Register
	0x4000 0982	SVD2_1CTL	SVD2 Ch.1 Control Register
	0x4000 0984	SVD2_1INTF	SVD2 Ch.1 Status and Interrupt Flag Register
	0x4000 0986	SVD2_1INTE	SVD2 Ch.1 Interrupt Enable Register
DMA controller (DMAC)	0x4000 1000	DMACSTAT	DMAC Status Register
	0x4000 1004	DMACCFG	DMAC Configuration Register
	0x4000 1008	DMACCPTR	DMAC Control Data Base Pointer Register
	0x4000 100c	DMACACPTR	DMAC Alternate Control Data Base Pointer Register
	0x4000 1014	DMACSWREQ	DMAC Software Request Register

Peripheral circuit	Address	Register name	
DMA controller (DMAC)	0x4000 1020	DMACRMSET	DMAC Request Mask Set Register
	0x4000 1024	DMACRMCLR	DMAC Request Mask Clear Register
	0x4000 1028	DMACENSET	DMAC Enable Set Register
	0x4000 102c	DMACENCLR	DMAC Enable Clear Register
	0x4000 1030	DMACPASET	DMAC Primary-Alternate Set Register
	0x4000 1034	DMACPACLR	DMAC Primary-Alternate Clear Register
	0x4000 1038	DMACPRSET	DMAC Priority Set Register
	0x4000 103c	DMACPRCLR	DMAC Priority Clear Register
	0x4000 104c	DMACERRIF	DMAC Error Interrupt Flag Register
	0x4000 2000	DMACENDIF	DMAC Transfer Completion Interrupt Flag Register
	0x4000 2008	DMACENDIESET	DMAC Transfer Completion Interrupt Enable Set Register
	0x4000 200c	DMACENDIECLR	DMAC Transfer Completion Interrupt Enable Clear Register
	0x4000 2010	DMACERRIESET	DMAC Error Interrupt Enable Set Register
	0x4000 2014	DMACERRIECLR	DMAC Error Interrupt Enable Clear Register

4.6.1 System-Protect Function

The system-protect function protects control registers and bits from writings. They cannot be rewritten unless write protection is removed by writing 0x0096 to the SYSPROT.PROT[15:0] bits. This function is provided to prevent deadlock that may occur when a system-related register is altered by a runaway CPU. See “Control Registers” in each peripheral circuit to identify the registers and bits with write protection.

Note: Once write protection is removed using the SYSPROT.PROT[15:0] bits, write enabled status is maintained until write protection is applied again. After the registers/bits required have been altered, apply write protection.

4.7 Instruction Cache

This IC includes an instruction cache. Enabling the cache function translates into reduced current consumption, as the Flash memory access frequency is decreased.

This function is enabled by setting the CASHECTL.CACHEEN bit to 1. Setting this bit to 0 clears the instruction codes stored in the cache.

4.8 Memory Mapped Access Area For External Flash Memory

This area is used to read data from the external Flash memory via the quad synchronous serial interface. For more information, refer to the “Quad Synchronous Serial Interface” chapter.

4.9 Control Registers

System Protect Register

Register name	Bit	Bit name	Initial	Reset	R/W	Remarks
SYSPROT	15–0	PROT[15:0]	0x0000	H0	R/W	–

Bits 15–0 PROT[15:0]

These bits protect the control registers related to the system against writings.

0x0096 (R/W): Disable system protection

Other than 0x0096 (R/W): Enable system protection

While the system protection is enabled, any data will not be written to the affected control bits (bits with “WP” or “R/WP” appearing in the R/W column).

CACHE Control Register

Register name	Bit	Bit name	Initial	Reset	R/W	Remarks
CACHECTL	15–8	–	0x00	–	R	–
	7–2	–	0x00	–	R	
	1	–	1	–	R	
	0	CACHEEN	0	H0	R/W	

Bits 15–1 Reserved

Bit 0 CACHEEN

This bit enables the instruction cache function.

1 (R/W): Enable instruction cache

0 (R/W): Disable instruction cache

FLASHC Flash Read Cycle Register

Register name	Bit	Bit name	Initial	Reset	R/W	Remarks
FLASHCWAIT	15–8	–	0x00	–	R	–
	7–2	–	0x00	–	R	
	1–0	RDWAIT[1:0]	0x1	H0	R/WP	

Bits 15–2 Reserved

Bits 1–0 RDWAIT[1:0]

These bits set the number of bus access cycles for reading from the Flash memory.

Table 4.9.1 Setting Number of Bus Access Cycles for Flash Read

FLASHCWAIT. RDWAIT[1:0] bits	Number of bus access cycles	System clock frequency	
		PWGACTL. REGSEL bit = 0	PWGACTL. REGSEL bit = 1
0x3	4	2.1 MHz (max.)	21 MHz (max.)
0x2	3		16.8 MHz (max.)
0x1	2	1.05 MHz (max.)	8.4 MHz (max.)
0x0	1		

Note: Be sure to set the FLASHCWAIT.RDWAIT[1:0] bits before the system clock is configured.

5 Interrupt

5.1 Overview

This IC includes a nested vectored interrupt controller (NVIC). For detailed information on the NVIC, refer to the “Cortex®-M0+ Technical Reference Manual.”

Figure 5.1.1 shows the configuration of the interrupt system.

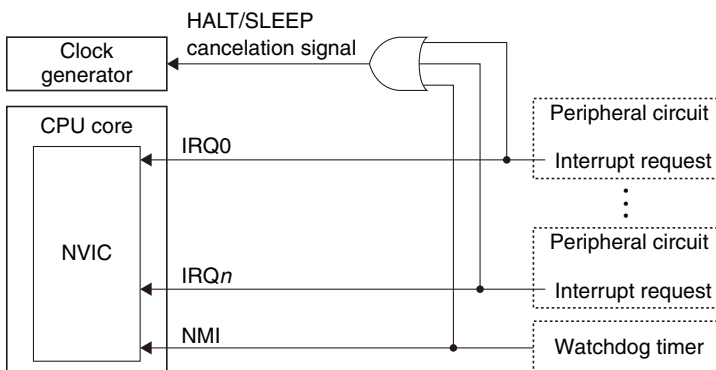


Figure 5.1.1 Configuration of Interrupt System

5.2 Vector Table

The vector table contains the vectors to the interrupt handler routines (handler routine start address) that will be read by the CPU to execute the handler when an interrupt occurs.

Table 5.2.1 shows the vector table.

Table 5.2.1 Vector Table

VTOR initial value = 0x0

Interrupt number	IRQ number	Vector address	Hardware interrupt name	Cause of hardware interrupt	Priority
-	-	VTOR + 0x00	(Stack pointer initial value)	-	-
1	-	VTOR + 0x04	Reset	<ul style="list-style-type: none"> • Low input to the #RESET pin • Power-on reset • Key reset • Watchdog timer overflow *1 • Supply voltage detector Ch.0 reset 	-3
2	-14	VTOR + 0x08	NMI	Watchdog timer overflow *1	-2
3	-13	VTOR + 0x0c	HardFault	<ul style="list-style-type: none"> • Bus error • Undefined instruction • Unaligned address etc. 	-1
4-10	-	-	Reserved	-	-
11	-5	VTOR + 0x2c	SVCcall	SVC instruction	Configurable
12-13	-	-	Reserved	-	-
14	-2	VTOR + 0x38	PendSV	-	Configurable
15	-1	VTOR + 0x3c	SysTick	SysTick timer underflow	
16	0	VTOR + 0x40	DMA controller interrupt	<ul style="list-style-type: none"> • DMA transfer completion • DMA transfer error 	
17	1	VTOR + 0x44	Supply voltage detector Ch.0 interrupt	<ul style="list-style-type: none"> • Power supply voltage drop detection • Power supply voltage rise detection 	
18	2	VTOR + 0x48	Port interrupt	Port input	
19	3	VTOR + 0x4c	Clock generator interrupt	<ul style="list-style-type: none"> • IOSC oscillation stabilization waiting completion • OSC1 oscillation stabilization waiting completion • OSC3 oscillation stabilization waiting completion • OSC1 oscillation stop • IOSC oscillation auto-trimming completion • IOSC oscillation auto-trimming error 	

5 INTERRUPT

Interrupt number	IRQ number	Vector address	Hardware interrupt name	Cause of hardware interrupt	Priority
20	4	VTOR + 0x50	Real-time clock interrupt	<ul style="list-style-type: none"> • 1-day, 1-hour, 1-minute, and 1-second • 1/32-second, 1/8-second, 1/4-second, and 1/2-second • Stopwatch 1 Hz, 10 Hz, and 100 Hz • Alarm • Theoretical regulation completion 	Configurable
21	5	VTOR + 0x54	16-bit timer Ch.0 interrupt	Underflow	
22	6	VTOR + 0x58	UART Ch.0 interrupt	<ul style="list-style-type: none"> • End of transmission • Framing error • Parity error • Overrun error • Receive buffer two bytes full • Receive buffer one byte full • Transmit buffer empty 	
23	7	VTOR + 0x5c	16-bit timer Ch.1 interrupt	Underflow	
24	8	VTOR + 0x60	Synchronous serial interface Ch.0 interrupt	<ul style="list-style-type: none"> • End of transmission • Receive buffer full • Transmit buffer empty • Overrun error 	
25	9	VTOR + 0x64	I ² C Ch.0 interrupt	<ul style="list-style-type: none"> • End of data transfer • General call address reception • NACK reception • STOP condition • START condition • Error detection • Receive buffer full • Transmit buffer empty 	
26	10	VTOR + 0x68	16-bit PWM timer Ch.0 interrupt	<ul style="list-style-type: none"> • Capture overwrite • Compare/capture • Counter MAX • Counter zero 	
27	11	VTOR + 0x6c	16-bit PWM timer Ch.1 interrupt	<ul style="list-style-type: none"> • Capture overwrite • Compare/capture • Counter MAX • Counter zero 	
28	12	VTOR + 0x70	UART Ch.1 interrupt	<ul style="list-style-type: none"> • End of transmission • Framing error • Parity error • Overrun error • Receive buffer two bytes full • Receive buffer one byte full • Transmit buffer empty 	
29	13	VTOR + 0x74	16-bit timer Ch.2 interrupt	Underflow	
30	14	VTOR + 0x78	Quad synchronous serial interface Ch.0 interrupt	<ul style="list-style-type: none"> • End of transmission • Receive buffer full • Transmit buffer empty • Overrun error 	
31	15	VTOR + 0x7c	I ² C Ch.1 interrupt	<ul style="list-style-type: none"> • End of data transfer • General call address reception • NACK reception • STOP condition • START condition • Error detection • Receive buffer full • Transmit buffer empty 	
32	16	VTOR + 0x80	IR remote controller interrupt	<ul style="list-style-type: none"> • Compare AP • Compare DB 	
33	17	VTOR + 0x84	LCD driver interrupt	Frame	
34	18	VTOR + 0x88	16-bit timer Ch.3 interrupt	Underflow	

Interrupt number	IRQ number	Vector address	Hardware interrupt name	Cause of hardware interrupt	Priority
35	19	VTOR + 0x8c	USB interrupt	<ul style="list-style-type: none"> • EP0 setup completion • NonJ detection • Reset detection • Suspend detection • SOF reception • J detection • Automatic address setting completion • EP0/a/b/c ACK reception • EP0/a/b/c ACK transmission • EP0/a/b/c NAK reception • EP0/a/b/c NAK transmission • EP0/a/b/c STALL reception • EP0/a/b/c STALL transmission • EPa/b/c short packet reception 	Configurable
36	20	VTOR + 0x90	Supply voltage detector Ch.1 interrupt	<ul style="list-style-type: none"> • Power supply voltage drop detection • Power supply voltage rise detection 	
37	21	VTOR + 0x94	Sound generator interrupt	<ul style="list-style-type: none"> • Sound buffer empty • Sound output completion 	
38	22	VTOR + 0x98	R/F converter Ch.0 interrupt	<ul style="list-style-type: none"> • Reference oscillation completion • Sensor A oscillation completion • Sensor B oscillation completion • Measurement counter overflow error • Time base counter overflow error 	
39–47	–	–	Reserved	–	

*1 Either reset or NMI can be selected as the watchdog timer interrupt via software.

5.2.1 Vector Table Offset Address (VTOR)

The CPU core provides the vector table offset register to set the offset (start) address of the vector table in which interrupt vectors are programmed. “VTOR” described in Table 5.2.1 means the value set to this register. After an initial reset, VTOR is set to address 0x0. Therefore, even when the vector table location is changed, it is necessary that at least the reset vector be written to this address. For more information on VTOR, refer to the “Cortex®-M0+ Technical Reference Manual.”

5.2.2 Priority of Interrupts

The priorities of SVCcall, PendSV, and SysTick are configurable to the desired levels using the System Handler Priority Registers (SHPR2 and SHPR3). The priorities of the interrupt number 16 or later are configurable to the desired levels using the Interrupt Priority Registers (NVIC_IPR0–7). The priority value can be set within a range of 0 to 192 (a lower value has a higher priority). The priorities of reset, NMI, and HardFault are fixed at the predefined values. For more information, refer to the “Cortex®-M0+ Technical Reference Manual.”

5.3 Peripheral Circuit Interrupt Control

The peripheral circuit that generates interrupts includes an interrupt enable bit and an interrupt flag for each interrupt cause.

Interrupt flag: The flag is set to 1 when the interrupt cause occurs. The clear condition depends on the peripheral circuit.

Interrupt enable bit: By setting this bit to 1 (interrupt enabled), an interrupt request will be sent to the CPU core when the interrupt flag is set to 1. When this bit is set to 0 (interrupt disabled), no interrupt request will be sent to the CPU core even if the interrupt flag is set to 1. An interrupt request is also sent to the CPU core if the status is changed to interrupt enabled when the interrupt flag is 1.

For specific information on causes of interrupts, interrupt flags, and interrupt enable bits, refer to the respective peripheral circuit descriptions.

Note: To prevent occurrence of unnecessary interrupts, the corresponding interrupt flag should be cleared before setting the interrupt enable bit to 1 (interrupt enabled) and before terminating the interrupt handler routine.

5.4 NMI

The watchdog timer embedded in this IC can generate a non-maskable interrupt (NMI). This interrupt takes precedence over other interrupts and is unconditionally accepted by the CPU.

For detailed information on generating NMI, refer to the “Watchdog Timer” chapter.

6 DMA Controller (DMAC)

6.1 Overview

The main features of the DMAC are outlined below.

- Supports byte, halfword, and word transfers.
- Each DMAC channel can be configured to different transfer conditions independently.
- Supports memory-to-memory, memory-to-peripheral circuit, and peripheral circuit-to-memory transfers.
- Supports hardware DMA requests from peripheral circuits and software DMA requests.
- Priority level for each channel is selectable from two levels.
- DMA transfers are allowed even if the CPU is placed into HALT mode.

Figure 6.1.1 shows the configuration of the DMAC.

Table 6.1.1 DMAC Channel Configuration of S1C31W74

Item	S1C31W74
Number of channels	4 channels (Ch.0 to Ch.3)
Transfer source memories	Internal Flash memory, external Flash memory, RAM, and display data RAM
Transfer destination memories	RAM and display data RAM
Transfer source peripheral circuits	UART, SPIA, QSPI, I2C, T16B, and USB
Transfer destination peripheral circuits	UART, SPIA, QSPI, I2C, T16B, USB, and SNDA

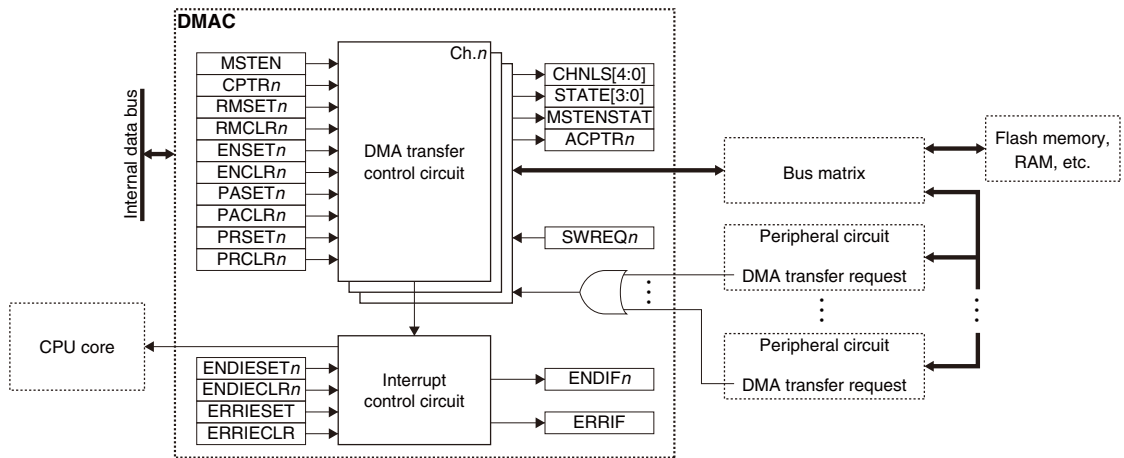


Figure 6.1.1 DMAC Configuration

6.2 Operations

6.2.1 Initialization

The DMAC should be initialized with the procedure shown below.

1. Set the data structure base address to the DMACCPTR register.
2. Configure the data structure for the channels to be used.
 - Set the control data.
 - Set the transfer source end pointer.
 - Set the transfer destination end pointer.
3. Set the DMACCFG.MSTEN bit to 1. (Enable DMAC)
4. Configure the DMACRMSET and DMACRMCLR registers. (Configure masks for DMA transfer requests from peripheral circuits)
5. Configure the DMACENSET and DMACENCLR registers. (Enable channels used)
6. Configure the DMACPASET and DMACPACL R registers. (Select data structure used)
7. Configure the DMACPRSET and DMACPRCLR registers. (Set priorities)
8. Set the following registers when using the interrupt:
 - Write 1 to the interrupt flags in the DMACENDIF and DMACERRIF registers. (Clear interrupt flags)
 - Configures the DMACENDIESET/DMACENDIECLR and DMACERRIESET/DMACERRIECLR registers. (Enable/disable interrupts)
9. Set the DMA request enable bits of the peripheral circuits that use DMA transfer to 1.
10. To issue a software DMA request to Ch.*n*, write 1 to the DMACSWREQ.SWREQ*n* bit.

6.3 Priority

If DMA requests are issued to two or more channels, the DMA transfers are performed in order from the highest-priority channel. The channel of which the priority level is set to 1 by the DMACPRSET.PRSET*n* bit has the highest priority. If two or more channels have been set to the same priority level, the smaller channel number takes precedence.

6.4 Data Structure

To perform DMA transfers, a data structure that contains basic transfer control information must be provided. The data structure consists of two blocks, primary data structure and alternate data structure, and one of them is used according to the DMA transfer mode.

The data structure can be located at an arbitrary address in the RAM area by setting the base address to the DMAC-CPTR.CPTR[31:0] bits.

The data structure for each channel consists of a transfer source end pointer, a transfer destination end pointer, and control data. An area of 16 bytes × 2 is allocated in the RAM for each channel.

The whole size of the data structure and the alternate data structure base address depend on the number of channels implemented.

Table 6.4.1 Data Structure Size According to Number of Channels Implemented

Number of channels implemented	Data structure size	Primary data structure base address	Alternate data structure base address
1	32 bytes	DMACCPTR.CPTR[31:0] (CPTR[4:0] = 0x00)	DMACCPTR.CPTR[31:0] + 0x010
2	64 bytes	DMACCPTR.CPTR[31:0] (CPTR[5:0] = 0x00)	DMACCPTR.CPTR[31:0] + 0x020
3 to 4	128 bytes	DMACCPTR.CPTR[31:0] (CPTR[6:0] = 0x00)	DMACCPTR.CPTR[31:0] + 0x040
5 to 8	256 bytes	DMACCPTR.CPTR[31:0] (CPTR[7:0] = 0x00)	DMACCPTR.CPTR[31:0] + 0x080
9 to 16	512 bytes	DMACCPTR.CPTR[31:0] (CPTR[8:0] = 0x000)	DMACCPTR.CPTR[31:0] + 0x100
16 to 32	1,024 bytes	DMACCPTR.CPTR[31:0] (CPTR[9:0] = 0x000)	DMACCPTR.CPTR[31:0] + 0x200

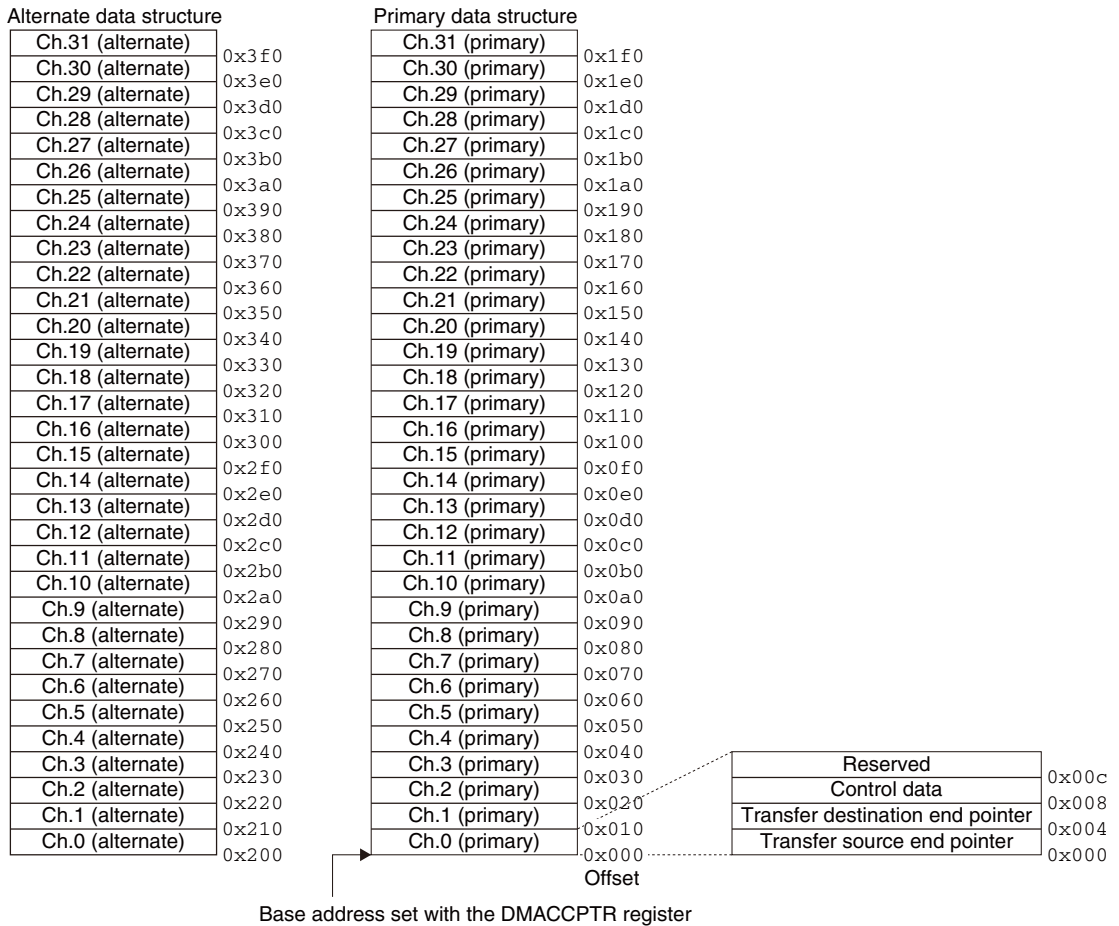


Figure 6.4.1 Data Structure Address Map (when 32 channels are implemented)

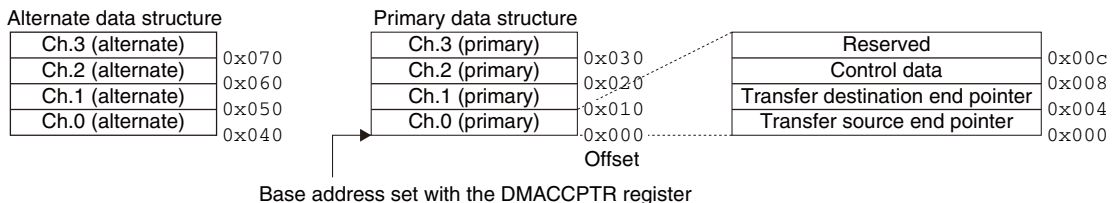


Figure 6.4.2 Data Structure Address Map (when 4 channels are implemented)

The alternate data structure base address can be determined from the DMACACPTR.ACPTTR[31:0] bits.

6.4.1 Transfer Source End Pointer

Set the source data end address. The address of data to be transferred should be set as it is if the transfer source address is not incremented.

6.4.2 Transfer Destination End Pointer

Set the address to which the last transfer data is written. The address for writing transfer data should be set as it is if the transfer destination address is not incremented.

6.4.3 Control Data

Set the DMA transfer information. Figure 6.4.3.1 shows the constituent elements of the control data.

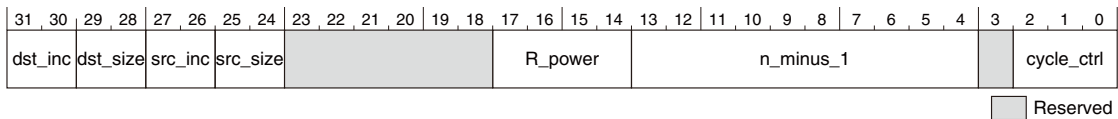


Figure 6.4.3.1 Constituent Elements of Control Data

dst_inc

Set the increment value of the transfer destination address. The setting value must be equal to or larger than the transfer data size when the address is incremented.

Table 6.4.3.1 Increment Value of Transfer Destination Address

dst_inc	Increment value
0x3	No increment
0x2	+4
0x1	+2
0x0	+1

dst_size

Set the size of the data to be written to the transfer destination. It should be the same value as the src_size.

Table 6.4.3.2 Size of Data Written to Transfer Destination

dst_size	Data size
0x3	Reserved
0x2	Word
0x1	Halfword
0x0	Byte

src_inc

Set the increment value of the transfer source address. The setting value must be equal to or larger than the transfer data size when the address is incremented.

Table 6.4.3.3 Increment Value of Transfer Source Address

src_inc	Increment value
0x3	No increment
0x2	+4
0x1	+2
0x0	+1

src_size

Set the size of the data to be read from the transfer source. It should be the same value as the dst_size.

Table 6.4.3.4 Size of Data Read from Transfer Source

src_size	Data size
0x3	Reserved
0x2	Word
0x1	Halfword
0x0	Byte

R_power

Set the arbitration cycle during successive data transfer.

$$\text{Arbitration cycle } (2^R) = 2^{R_power}$$

When the DMAC is performing a successive transfer, it suspends the data transfer at the cycle set with R_power. If DMA requests have been issued at that point, the DMAC re-arbitrates them according to their priorities and then performs a DMA transfer for the channel with the highest priority.

If the arbitration cycle setting value is larger than the number of successive data transfers, successive data transfers will not be suspended.

n_minus_1

Set the number of DMA transfers to be executed successively.

Number of successive transfers (N) = n_minus_1 + 1

When the set number of successive transfers has completed, a transfer completion interrupt occurs.

cycle_ctrl

Set the DMA transfer mode. For detailed information on each transfer mode, refer to Section 6.5, “DMA Transfer Mode.”

Table 6.4.3.5 DMA Transfer Mode

cycle_ctrl	DMA transfer mode
0x7	Peripheral scatter-gather transfer (for alternate data structure)
0x6	Peripheral scatter-gather transfer (for primary data structure)
0x5	Memory scatter-gather transfer (for alternate data structure)
0x4	Memory scatter-gather transfer (for primary data structure)
0x3	Ping-pong transfer
0x2	Auto-request transfer
0x1	Basic transfer
0x0	Stop

6.5 DMA Transfer Mode

6.5.1 Basic Transfer

This is the basic DMA transfer mode. In this mode, DMA transfer starts when a DMA transfer request from a peripheral circuit or a software DMA request is issued, and it continues until it is completed for the set number of successive transfers or it is suspended at the arbitration cycle. To resume the DMA transfer suspended at the arbitration cycle, a DMA transfer request must be reissued.

When the set number of successive transfers has completed, a transfer completion interrupt occurs.

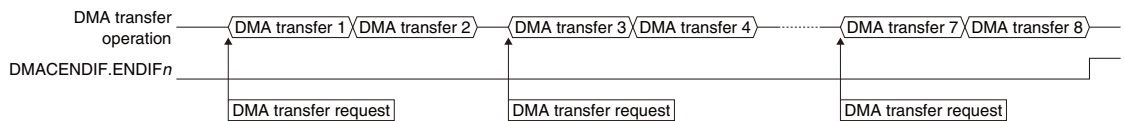


Figure 6.5.1.1 Basic Transfer Operation Example (N = 8, $2^R = 2$)

6.5.2 Auto-Request Transfer

Similar to the basic transfer, DMA transfer starts when a DMA transfer request from a peripheral circuit or a software DMA request is issued, and it continues until it is completed for the set number of successive transfers or it is suspended at the arbitration cycle. The DMAC resumes the DMA transfer suspended at the arbitration cycle without a DMA transfer request being reissued.

When the set number of successive transfers has completed, a transfer completion interrupt occurs.

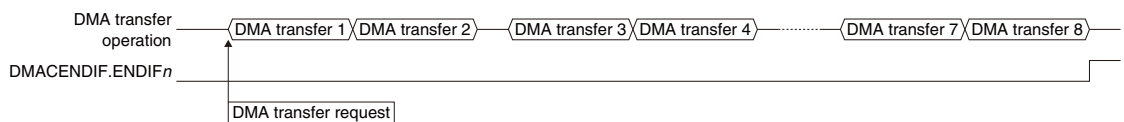


Figure 6.5.2.1 Auto-Request Transfer Operation Example (N = 8, $2^R = 2$)

6.5.3 Ping-Pong Transfer

In ping-pong transfer mode, the DMAC performs basic transfers repeatedly while switching between the primary data structure and alternate data structure. The data structures are referred alternately, and DMA transfer is terminated when the control data with `cycle_ctrl` set to `0x0` is referred. A transfer completion interrupt occurs each time a transfer using a data structure is completed.

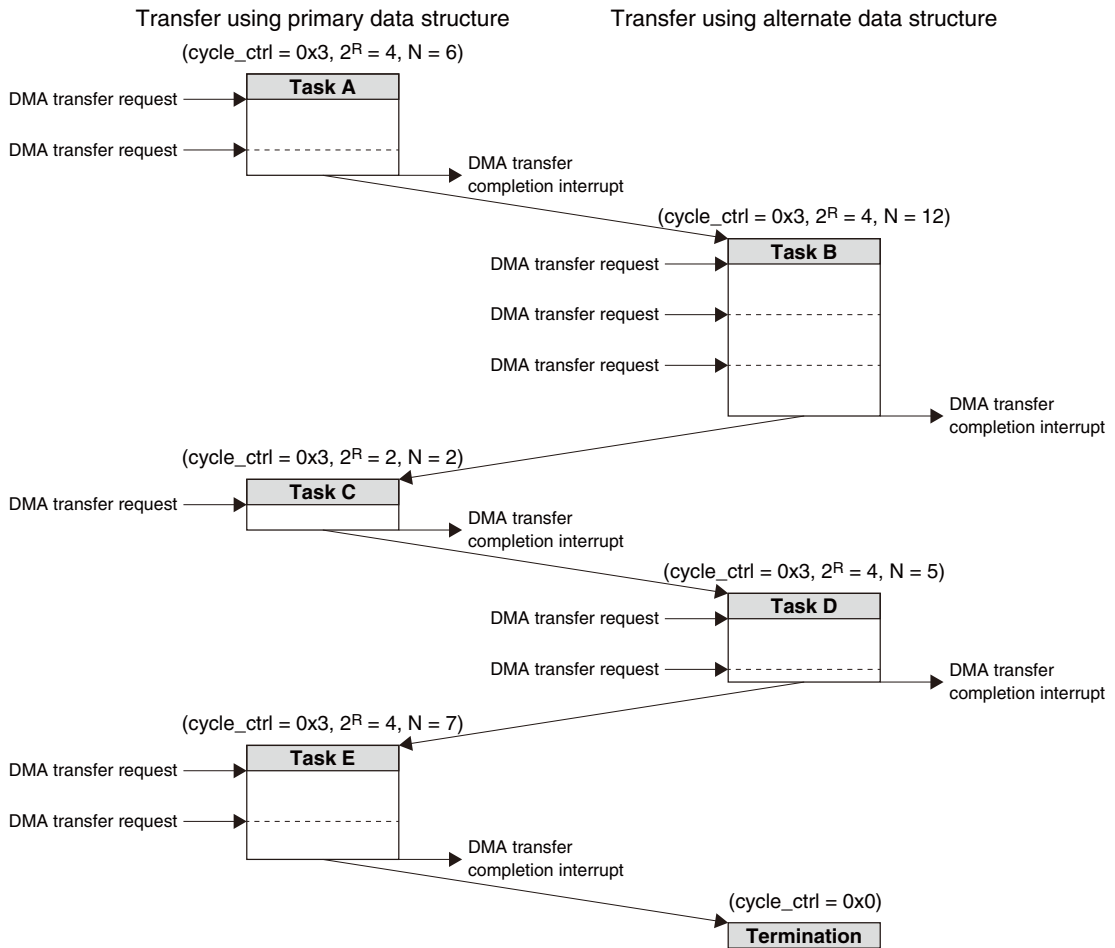


Figure 6.5.3.1 Ping-Pong Transfer Operation Example

DMA transfer procedure

1. Start data transfer by following the procedure shown in Section 6.2.1, "Initialization." In Step 2 of the initialization procedure, set Task A and Task B to the primary data structure and the alternate data structure, respectively.
2. Set Task C to the primary data structure after a DMA transfer completion interrupt has occurred by Task A.
3. Set Task D to the alternate data structure when a DMA transfer completion interrupt has occurred by Task B.
4. Repeat Steps 2 and 3.
5. Set `cycle_ctrl` to `0x0` after a DMA transfer completion interrupt has occurred by the next to last task.
6. The DMA transfer is completed when a DMA transfer completion interrupt occurs by the last task.

6.5.4 Memory Scatter-Gather Transfer

In scatter-gather transfer mode, first the DMAC, using the primary data structure, copies a data structure from the data structure table, which has been prepared with multiple data structures included in advance, to the alternate data structure, and then it performs DMA transfer using the alternate data structure. The DMAC performs this operation repeatedly. By programming the transfer mode of the data structure located at the end of the table as a basic transfer, the DMA transfer can be terminated with a transfer completion interrupt. This mode requires a DMA transfer request only for starting the first data transfer. Subsequent data transfers are performed by auto-requests.

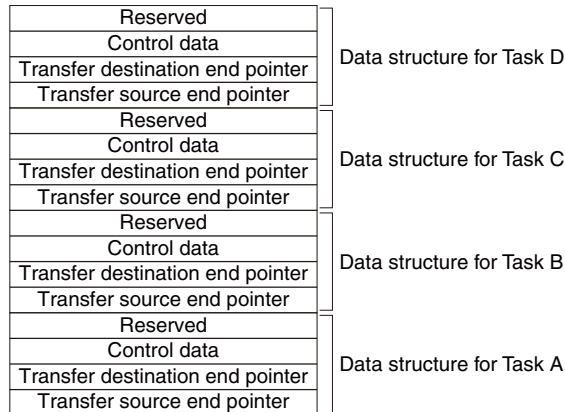


Figure 6.5.4.1 Example of Data Structure Table for Scatter-Gather Transfer

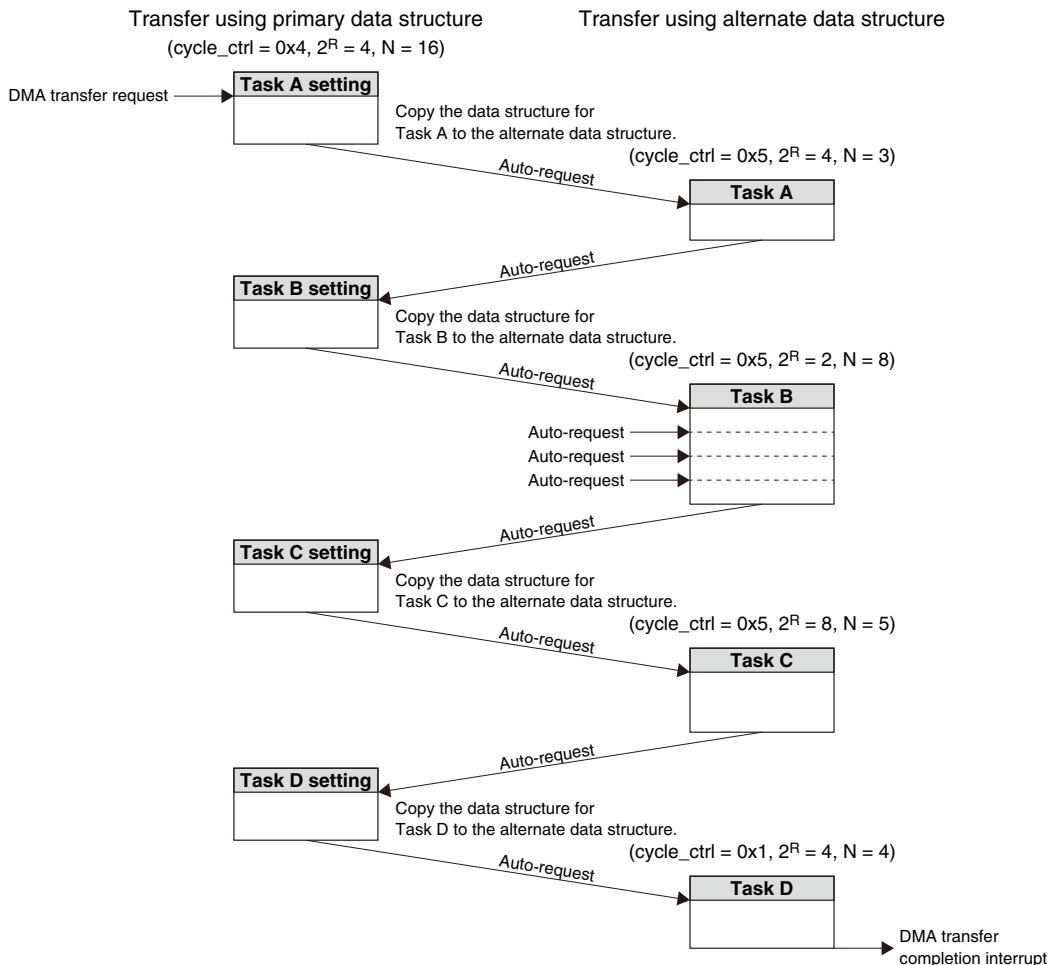


Figure 6.5.4.2 Memory Scatter-Gather Transfer Operation Example

DMA transfer procedure

1. Configure the data structure table for scatter-gather transfer.
Set the cycle_ctrl for the last task to 0x1 and those for other tasks to 0x5.
2. Start data transfer by following the procedure shown in Section 6.2.1, "Initialization." In Step 2 of the initialization procedure, configure the primary data structure with the control data shown below.

Transfer source end pointer = Data structure table end address
 Transfer destination end pointer = Alternate data structure end address
 dst_inc = 0x2
 dst_size = 0x2
 src_inc = 0x2
 src_size = 0x2
 R_power = 0x2
 n_minus_1 = Number of tasks × 4 - 1
 cycle_ctrl = 0x4

3. The DMA transfer is completed when a DMA transfer completion interrupt occurs.

6.5.5 Peripheral Scatter-Gather Transfer

In memory scatter-gather transfer mode, the second and subsequent DMA transfers are performed by auto-requests. On the other hand, in peripheral scatter-gather transfer mode, all DMA transfers are performed by a DMA transfer request issued by a peripheral circuit or a software DMA request.

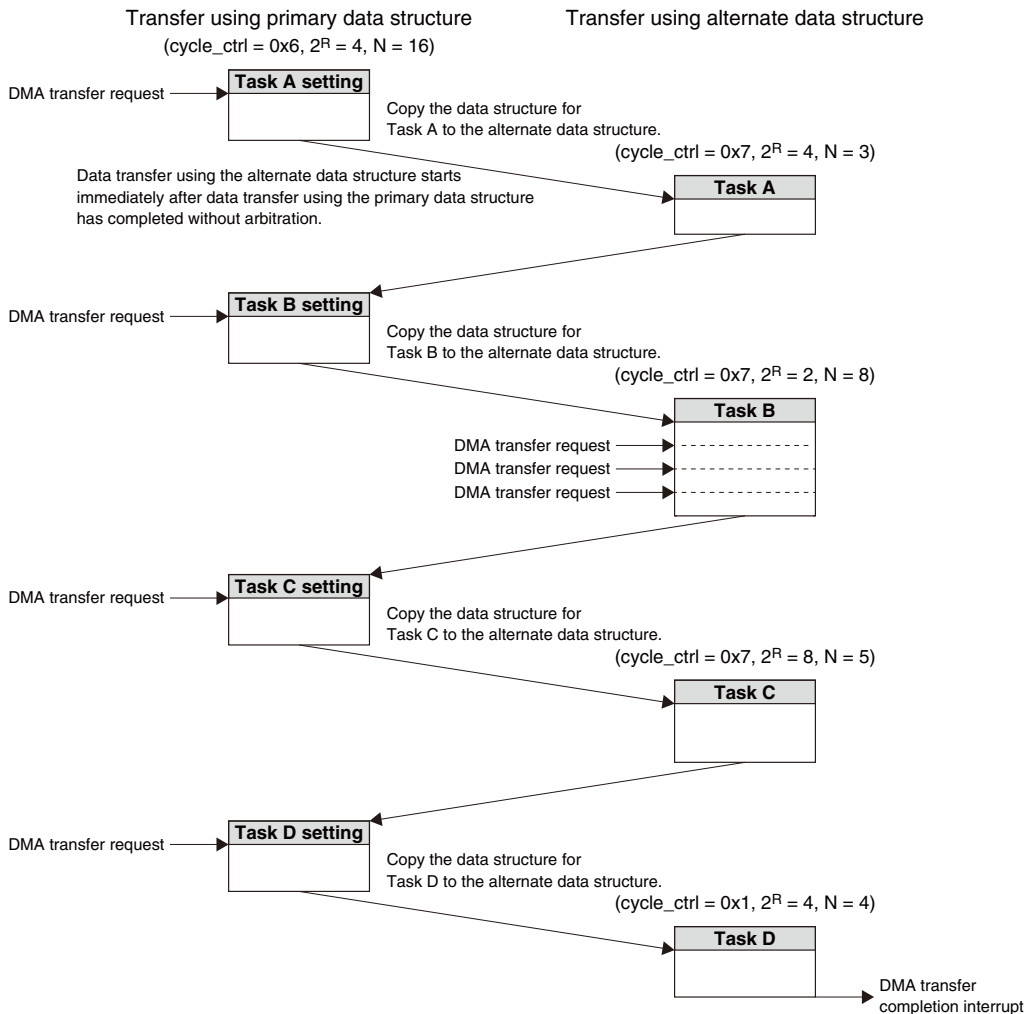


Figure 6.5.5.1 Peripheral Scatter-Gather Transfer Operation Example

DMA transfer procedure

1. Configure the data structure table for scatter-gather transfer.
Set the `cycle_ctrl` for the last task to 0x1 and those for other tasks to 0x7.
2. Start data transfer by following the procedure shown in Section 6.2.1, “Initialization.” In Step 2 of the initialization procedure, configure the primary data structure with the control data shown below.

Transfer source end pointer = Data structure table end address
 Transfer destination end pointer = Alternate data structure end address
`dst_inc` = 0x2
`dst_size` = 0x2
`src_inc` = 0x2
`src_size` = 0x2
`R_power` = 0x2
`n_minus_1` = Number of tasks × 4 - 1
`cycle_ctrl` = 0x6

3. Issue a DMA transfer request in each task using a peripheral circuit or via software.
4. The DMA transfer is completed when a DMA transfer completion interrupt occurs.

6.6 DMA Transfer Cycle

A DMA transfer requires several clock cycles to execute. Figure 6.6.1 shows a detailed DAM transfer cycle. Note that the number of clock cycles for a DMA transfer may be increased due to a conflict with an access from the CPU or the Flash bus access cycle setting.

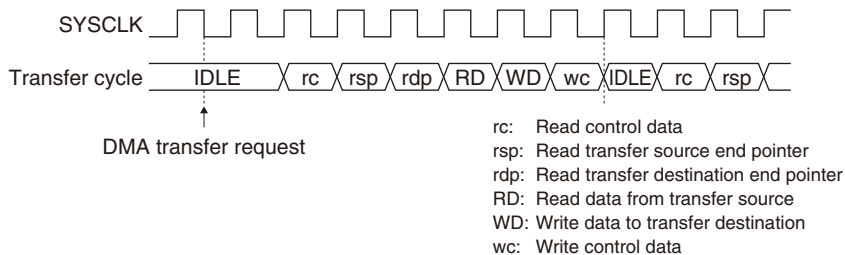


Figure 6.6.1 DMA Transfer Cycle

6.7 Interrupts

The DMAC has a function to generate the interrupts shown in Table 6.7.1.

Table 6.7.1 DMAC Interrupt Function

Interrupt	Interrupt flag	Set condition	Clear condition
DMA transfer completion	DMACENDIF.ENDIF n	When DMA transfers for a set number of successive transfers have completed	Writing 1
DMA transfer error	DMACERRIF.ERRIF	When an AHB bus error has occurred	Writing 1

The DMAC provides interrupt enable bits corresponding to each interrupt flag. An interrupt request is sent to the CPU core only when the interrupt flag, of which interrupt has been enabled by the interrupt enable bit, is set. For more information on interrupt control, refer to the “Interrupt” chapter.

6.8 Control Registers

DMAC Status Register

Register name	Bit	Bit name	Initial	Reset	R/W	Remarks	
DMACSTAT	31–24	–	0x00	–	R	–	
	23–21	–	0x0	–	R		
	20–16	CHNLS[4:0]	*	H0	R		* Number of channels implemented - 1
	15–8	–	0x00	–	R		
	7–4	STATE[3:0]	0x0	H0	R		
	3–1	–	0x0	–	R		
	0	MSTENSTAT	0	H0	R		

Bits 31–21 Reserved

Bits 20–16 CHNLS[4:0]

These bits show the number of DMAC channels implemented in this IC.

$$\text{Number of channels implemented} = \text{CHNLS} + 1$$

Bits 15–8 Reserved

Bits 7–4 STATE[3:0]

These bits indicates the DMA transfer status.

Table 6.8.1 DMA Transfer Status

DMACSTAT.STATE[3:0] bits	DMA transfer status
0xf–0xbf	Reserved
0xa	Peripheral scatter-gather transfer is in progress.
0x9	Transfer has completed.
0x8	Transfer has been suspended.
0x7	Control data is being written.
0x6	Standby for transfer request to be cleared.
0x5	Transfer data is being written.
0x4	Transfer data is being read.
0x3	Transfer destination end pointer is being read.
0x2	Transfer source end pointer is being read.
0x1	Control data is being read.
0x0	Idle

Bits 3–1 Reserved

Bit 0 MSTENSTAT

This bit indicates the DMA controller status.

1 (R): DMA controller is operating.

0 (R): DMA controller is idle.

DMAC Configuration Register

Register name	Bit	Bit name	Initial	Reset	R/W	Remarks
DMACCFG	31–24	–	0x00	–	R	–
	23–16	–	0x00	–	R	
	15–8	–	0x00	–	R	
	7–1	–	0x00	–	R	
	0	MSTEN	–	–	W	

Bits 31–1 Reserved

Bit 0 MSTEN

This bit enables the DMA controller.

1 (W): Enable

0 (W): Disable

DMAC Control Data Base Pointer Register

Register name	Bit	Bit name	Initial	Reset	R/W	Remarks
DMACCPTR	31-0	CPTR[31:0]	0x0000 0000	H0	R/W	–

Bits 31-0 CPTR[31:0]

These bits set the leading address of the data structure.

Depending on the number of channels implemented, low-order bits are configured for read only.

Table 6.8.2 CPTR Writable/Read-Only Bits Depending On Number of Channel Implemented

Number of channel implemented	Writable bits	Read-only bits
1	CPTR[31:5]	CPTR[4:0]
2	CPTR[31:6]	CPTR[5:0]
3-4	CPTR[31:7]	CPTR[6:0]
5-8	CPTR[31:8]	CPTR[7:0]
9-16	CPTR[31:9]	CPTR[8:0]
17-32	CPTR[31:10]	CPTR[9:0]

DMAC Alternate Control Data Base Pointer Register

Register name	Bit	Bit name	Initial	Reset	R/W	Remarks
DMACACPTR	31-0	ACPTR[31:0]	–	H0	R	–

Bits 31-0 ACPTR[31:0]

These bits show the alternate data structure base address.

DMAC Software Request Register

Register name	Bit	Bit name	Initial	Reset	R/W	Remarks
DMACSWREQ	31-0	SWREQ[31:0]	–	–	W	–

Bits 31-0 SWREQ [31:0]

These bits issue a software DMA transfer request to each channel.

1 (W): Issue a software DMA transfer request

0 (W): Ineffective

Each bit corresponds to a DMAC channel (e.g. bit *n* corresponds to Ch.*n*). The high-order bits for the unimplemented channels are ineffective.

DMAC Request Mask Set Register

Register name	Bit	Bit name	Initial	Reset	R/W	Remarks
DMACRMSET	31-0	RMSET[31:0]	0x0000 0000	H0	R/W	–

Bits 31-0 RMSET[31:0]

These bits mask DMA transfer requests from peripheral circuits.

1 (W): Mask DMA transfer requests from peripheral circuits

0 (W): Ineffective

1 (R): DMA transfer requests from peripheral circuits have been disabled.

0 (R): DMA transfer requests from peripheral circuits have been enabled.

Each bit corresponds to a DMAC channel. The high-order bits for the unimplemented channels are ineffective.

DMAC Request Mask Clear Register

Register name	Bit	Bit name	Initial	Reset	R/W	Remarks
DMACRMCLR	31-0	RMCLR[31:0]	–	–	W	–

Bits 31-0 RMCLR[31:0]

These bits cancel the mask state of DMA transfer requests from peripheral circuits

1 (W): Cancel mask state of DMA transfer requests from peripheral circuits

(The DMACRMSET register is cleared to 0.)

0 (W): Ineffective

Each bit corresponds to a DMAC channel. The high-order bits for the unimplemented channels are ineffective.

DMAC Enable Set Register

Register name	Bit	Bit name	Initial	Reset	R/W	Remarks
DMACENSET	31-0	ENSET[31:0]	0x0000 0000	H0	R/W	–

Bits 31-0 ENSET[31:0]

These bits enable each DMAC channel.

1 (W): Enable DMAC channel

0 (W): Ineffective

1 (R): Enabled

0 (R): Disabled

These bits are cleared after the DMA transfer has completed.

Each bit corresponds to a DMAC channel. The high-order bits for the unimplemented channels are ineffective.

DMAC Enable Clear Register

Register name	Bit	Bit name	Initial	Reset	R/W	Remarks
DMACENCLR	31-0	ENCLR[31:0]	–	–	W	–

Bits 31-0 ENCLR[31:0]

These bits disable each DMAC channel.

1 (W): Disable DMAC channel (The DMACENSET register is cleared to 0.)

0 (W): Ineffective

Each bit corresponds to a DMAC channel. The high-order bits for the unimplemented channels are ineffective.

DMAC Primary-Alternate Set Register

Register name	Bit	Bit name	Initial	Reset	R/W	Remarks
DMACPASET	31-0	PASET[31:0]	0x0000 0000	H0	R/W	–

Bits 31-0 PASET[31:0]

These bits enable the alternate data structures.

1 (W): Enable alternate data structure

0 (W): Ineffective

1 (R): The alternate data structure has been enabled.

0 (R): The primary data structure has been enabled.

Each bit corresponds to a DMAC channel. The high-order bits for the unimplemented channels are ineffective.

DMAC Primary-Alternate Clear Register

Register name	Bit	Bit name	Initial	Reset	R/W	Remarks
DMACPACLR	31-0	PACLR[31:0]	-	-	W	-

Bits 31-0 PACLR[31:0]

These bits disable the alternate data structures.

1 (W): Disable alternate data structure (The DMACPASET register is cleared to 0.)

0 (W): Ineffective

Each bit corresponds to a DMAC channel. The high-order bits for the unimplemented channels are ineffective.

DMAC Priority Set Register

Register name	Bit	Bit name	Initial	Reset	R/W	Remarks
DMACPRSET	31-0	PRSET[31:0]	0x0000 0000	H0	R/W	-

Bits 31-0 PRSET[31:0]

These bits increase the priority of each channel.

1 (W): Increase priority

0 (W): Ineffective

1 (R): Priority = High

0 (R): Priority = Normal

Each bit corresponds to a DMAC channel. The high-order bits for the unimplemented channels are ineffective.

DMAC Priority Clear Register

Register name	Bit	Bit name	Initial	Reset	R/W	Remarks
DMACPRCLR	31-0	PRCLR[31:0]	-	-	W	-

Bits 31-0 PRCLR[31:0]

These bits decrease the priority of each channel.

1 (W): Decrease priority (The DMACPRSET register is cleared to 0.)

0 (W): Ineffective

Each bit corresponds to a DMAC channel. The high-order bits for the unimplemented channels are ineffective.

DMAC Error Interrupt Flag Register

Register name	Bit	Bit name	Initial	Reset	R/W	Remarks
DMACERRIF	31-24	-	0x00	-	R	-
	23-16	-	0x00	-	R	
	15-8	-	0x00	-	R	
	7-1	-	0x00	-	R	
	0	ERRIF	0	H0	R/W	

Bits 31-1 Reserved

Bit 0 ERRIF

This bit indicates the DMAC error interrupt cause occurrence status.

1 (R): Cause of interrupt occurred

0 (R): No cause of interrupt occurred

1 (W): Clear flag

0 (W): Ineffective

DMAC Transfer Completion Interrupt Flag Register

Register name	Bit	Bit name	Initial	Reset	R/W	Remarks
DMACENDIF	31-0	ENDIF[31:0]	0x0000 0000	H0	R/W	Cleared by writing 1.

Bits 31-0 ENDIF[31:0]

These bits indicate the DMA transfer completion interrupt cause occurrence status of each DMAC channel.

- 1 (R): Cause of interrupt occurred
- 0 (R): No cause of interrupt occurred
- 1 (W): Clear flag
- 0 (W): Ineffective

Each bit corresponds to a DMAC channel. The high-order bits for the unimplemented channels are ineffective.

DMAC Transfer Completion Interrupt Enable Set Register

Register name	Bit	Bit name	Initial	Reset	R/W	Remarks
DMACENDIESET	31-0	ENDIESET[31:0]	0x0000 0000	H0	R/W	–

Bits 31-0 ENDIESET[31:0]

These bits enable DMA transfer completion interrupts to be generated from each DMAC channel.

- 1 (W): Enable interrupt
- 0 (W): Ineffective
- 1 (R): Interrupt has been enabled.
- 0 (R): Interrupt has been disabled.

Each bit corresponds to a DMAC channel. The high-order bits for the unimplemented channels are ineffective.

DMAC Transfer Completion Interrupt Enable Clear Register

Register name	Bit	Bit name	Initial	Reset	R/W	Remarks
DMACENDIECLR	31-0	ENDIECLR[31:0]	–	–	W	–

Bits 31-0 ENDIECLR[31:0]

These bits disable DMA transfer completion interrupts to be generated from each DMAC channel.

- 1 (W): Disable interrupt (The DMACENDIESET register is cleared to 0.)
- 0 (W): Ineffective

Each bit corresponds to a DMAC channel. The high-order bits for the unimplemented channels are ineffective.

DMAC Error Interrupt Enable Set Register

Register name	Bit	Bit name	Initial	Reset	R/W	Remarks
DMACERRIESET	31-24	–	0x00	–	R	–
	23-16	–	0x00	–	R	
	15-8	–	0x00	–	R	
	7-1	–	0x00	–	R	
	0	ERRIESET	0	H0	R/W	

Bits 31-1 Reserved

Bit 0 ERRIESET

This bit enables DMA error interrupts.

1 (W): Enable interrupt

0 (W): Ineffective

1 (R): Interrupt has been enabled.

0 (R): Interrupt has been disabled.

DMAC Error Interrupt Enable Clear Register

Register name	Bit	Bit name	Initial	Reset	R/W	Remarks
DMACERRIECLR	31-24	-	0x00	-	R	-
	23-16	-	0x00	-	R	
	15-8	-	0x00	-	R	
	7-1	-	0x00	-	R	
	0	ERRIECLR	-	-	W	

Bits 31-1 Reserved**Bit 0 ERRIECLR**

This bit disables DMA error interrupts.

1 (W): Disable interrupt (The DMACERRIESET register is cleared to 0.)

0 (W): Ineffective

7 I/O Ports (PPORT)

7.1 Overview

PPORT controls the I/O ports. The main features are outlined below.

- Allows port-by-port function configurations.
 - Each port can be configured with or without a pull-up or pull-down resistor.
 - Each port can be configured with or without a chattering filter.
 - Allows selection of the function (general-purpose I/O port (GPIO) function, up to four peripheral I/O functions) to be assigned to each port.
- Ports, except for those shared with debug pins, are initially placed into Hi-Z state. (No current passes through the pin during this Hi-Z state.)

Note: 'x', which is used in the port names Pxy, register names, and bit names, refers to a port group (x = 0, 1, 2, ..., d) and 'y' refers to a port number (y = 0, 1, 2, ..., 7).

Figure 7.1.1 shows the configuration of PPORT.

Table 7.1.1 Port Configuration of S1C31W74

Item	S1C31W74
Port groups included	P0[7:0], P1[7:0], P2[7:0], P3[7:0], P4[7:0], P5[7:0], P6[7:0], P7[7:0], P8[1:0], P90, Pd[3:0]
Ports with general-purpose I/O function (GPIO)	P0[7:0], P1[7:0], P2[7:0], P3[7:0], P4[7:0], P5[7:0], P6[7:0], P7[7:0], P8[1:0], P90, Pd[3:0]
Ports with interrupt function	P0[7:0], P1[7:0], P2[7:0], P3[7:0], P4[7:0], P5[7:0], P6[7:0], P7[7:0], P8[1:0], P90
Ports for debug function	Pd[1:0]
Key-entry reset function	Supported (P0[3:0])

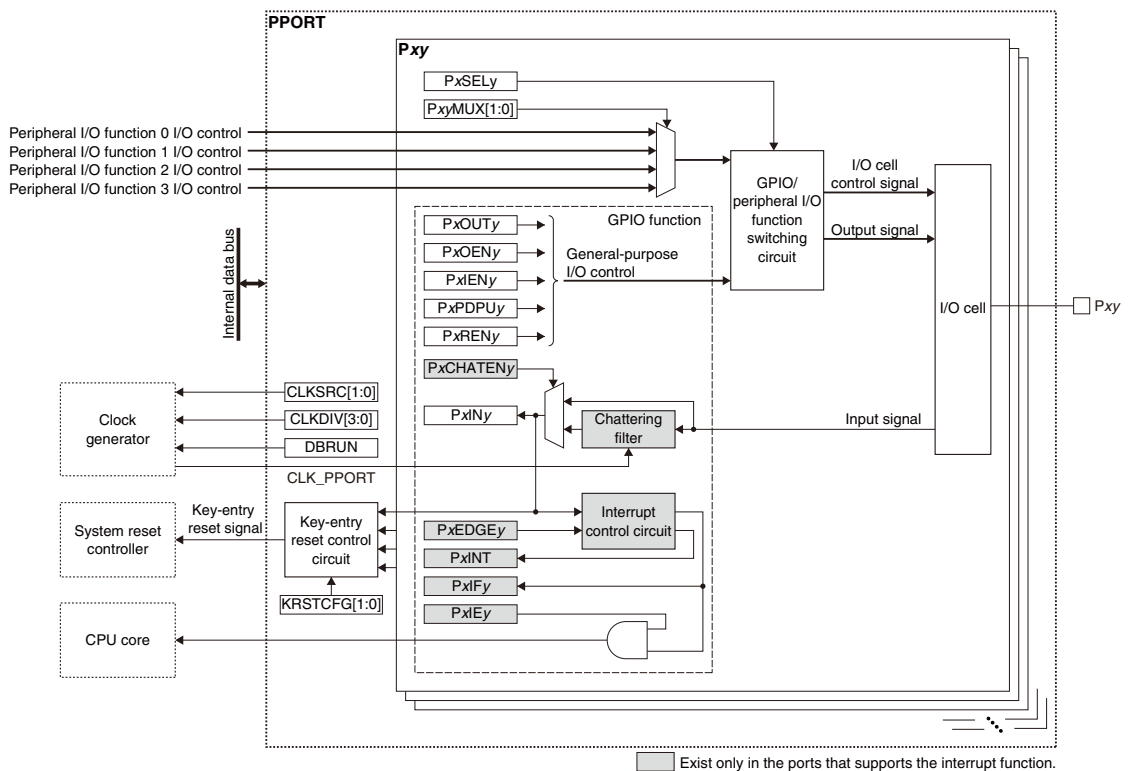


Figure 7.1.1 PPORT Configuration

7.2 I/O Cell Structure and Functions

Figure 7.2.1 shows the I/O cell Configuration.

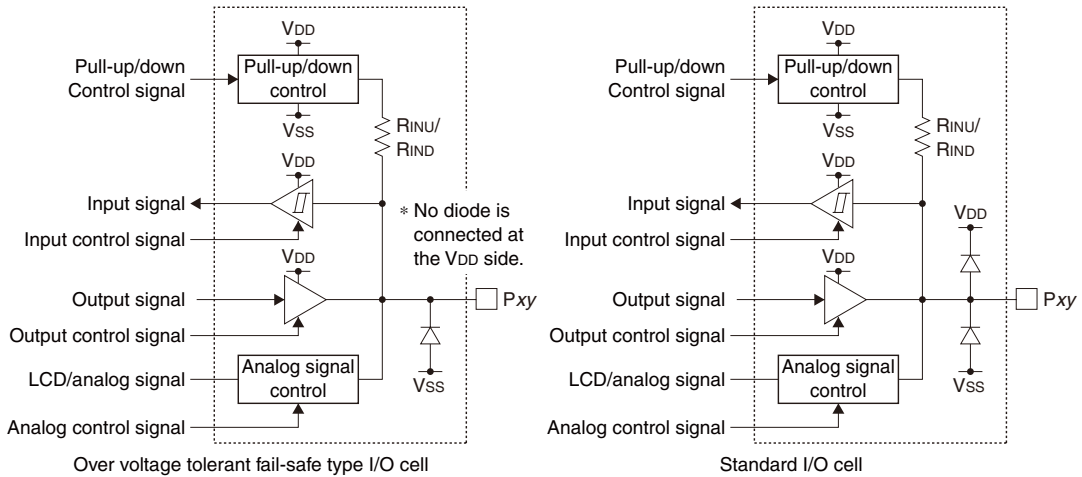


Figure 7.2.1 I/O Cell Configuration

Refer to “Pin Descriptions” in the “Overview” chapter for the cell type, either the over voltage tolerant fail-safe type I/O cell or the standard I/O cell, included in each port.

7.2.1 Schmitt Input

The input functions are all configured with the Schmitt interface level. When a port is set to input disable status (PPORTPxIOEN.PxIENy bit = 0), unnecessary current is not consumed if the Pxy pin is placed into floating status.

7.2.2 Over Voltage Tolerant Fail-Safe Type I/O Cell

The over voltage tolerant fail-safe type I/O cell allows interfacing without passing unnecessary current even if a voltage exceeding VDD is applied to the port. Also unnecessary current is not consumed when the port is externally biased without supplying VDD. However, be sure to avoid applying a voltage exceeding the recommended maximum operating power supply voltage to the port.

7.2.3 Pull-Up/Pull-Down

The GPIO port has a pull-up/pull-down function. Either pull-up or pull-down may be selected for each port individually. This function may also be disabled for the port that does not require pulling up/down.

When the port level is switched from low to high through the pull-up resistor included in the I/O cell or from high to low through the pull-down resistor, a delay will occur in the waveform rising/falling edge depending on the time constant by the pull-up/pull-down resistance and the pin load capacitance. The rising/falling time is commonly determined by the following equation:

$$t_{PR} = -R_{INU} \times (C_{IN} + C_{BOARD}) \times \ln(1 - V_{T+}/V_{DD}) \quad (\text{Eq. 7.1})$$

$$t_{PF} = -R_{IND} \times (C_{IN} + C_{BOARD}) \times \ln(1 - V_{T-}/V_{DD})$$

Where

t_{PR}: Rising time (port level = low → high) [second]

t_{PF}: Falling time (port level = high → low) [second]

V_{T+}: High level Schmitt input threshold voltage [V]

V_{T-}: Low level Schmitt input threshold voltage [V]

R_{INU}/R_{IND}: Pull-up/pull-down resistance [Ω]

C_{IN}: Pin capacitance [F]

C_{BOARD}: Parasitic capacitance on the board [F]

7.2.4 CMOS Output and High Impedance State

The I/O cells except for analog output can output signals in the V_{DD} and V_{SS} levels. Also the GPIO ports may be put into high-impedance (Hi-Z) state.

7.3 Clock Settings

7.3.1 PPORT Operating Clock

When using the chattering filter for entering external signals to PPORT, the PPORT operating clock CLK_PPORT must be supplied to PPORT from the clock generator.

The CLK_PPORT supply should be controlled as in the procedure shown below.

1. Enable the clock source in the clock generator if it is stopped (refer to “Clock Generator” in the “Power Supply, Reset, and Clocks” chapter).
2. Write 0x0096 to the SYSPROT.PROT[15:0] bits. (Remove system protection)
3. Set the following PPORTCLK register bits:
 - PPORTCLK.CLKSRC[1:0] bits (Clock source selection)
 - PPORTCLK.CLKDIV[3:0] bits (Clock division ratio selection = Clock frequency setting)
4. Write a value other than 0x0096 to the SYSPROT.PROT[15:0] bits. (Set system protection)

Settings in Step 3 determine the input sampling time of the chattering filter.

7.3.2 Clock Supply in SLEEP Mode

When using the chattering filter function during SLEEP mode, the PPORT operating clock CLK_PPORT must be configured so that it will keep supplying by writing 0 to the CLGOSC.xxxxSLPC bit for the CLK_PPORT clock source.

If the CLGOSC.xxxxSLPC bit for the CLK_PPORT clock source is 1, the CLK_PPORT clock source is deactivated during SLEEP mode and it disables the chattering filter function regardless of the PPORTP_xCHATEN.P_xCHATEN_y bit setting (chattering filter enabled/disabled).

7.3.3 Clock Supply During Debugging

The CLK_PPORT supply during debugging should be controlled using the PPORTCLK.DBRUN bit.

The CLK_PPORT supply to PPORT is suspended when the CPU enters debug state if the PPORTCLK.DBRUN bit = 0. After the CPU returns to normal operation, the CLK_PPORT supply resumes. The PPORT chattering filter stops operating when the CLK_PPORT supply is suspended. If the chattering filter is enabled in PPORT, the input port function is also deactivated. However, the control registers can be altered. If the PPORTCLK.DBRUN bit = 1, the CLK_PPORT supply is not suspended and the chattering filter will keep operating in a debug state.

7.4 Operations

7.4.1 Initialization

After a reset, the ports except for the debugging function are configured as shown below.

- Port input: Disabled
- Port output: Disabled
- Pull-up: Off
- Pull-down: Off
- Port pins: High impedance state
- Port function: Configured to GPIO

This status continues until the ports are configured via software. The debugging function ports are configured for debug signal input/output.

Initial settings when using a port for a peripheral I/O function

When using the P_{xy} port for a peripheral I/O function, perform the following software initial settings:

1. Set the following PPORTP_xIOEN register bits:
 - Set the PPORTP_xIOEN.P_xIEN_y bit to 0. (Disable input)
 - Set the PPORTP_xIOEN.P_xOEN_y bit to 0. (Disable output)
2. Set the PPORTP_xMODESEL.P_xSEL_y bit to 0. (Disable peripheral I/O function)
3. Initialize the peripheral circuit that uses the pin.
4. Set the PPORTP_xFNCSEL.P_{xy}MUX[1:0] bits. (Select peripheral I/O function)
5. Set the PPORTP_xMODESEL.P_xSEL_y bit to 1. (Enable peripheral I/O function)

For the list of the peripheral I/O functions that can be assigned to each port of this IC, refer to “Control Register and Port Function Configuration of this IC.” For the specific information on the peripheral I/O functions, refer to the respective peripheral circuit chapter.

Initial settings when using a port as a general-purpose output port (only for the ports with GPIO function)

When using the P_{xy} port pin as a general-purpose output pin, perform the following software initial settings:

1. Set the PPORTP_xIOEN.P_xOEN_y bit to 1. (Enable output)
2. Set the PPORTP_xMODESEL.P_xSEL_y bit to 0. (Enable GPIO function)

Initial settings when using a port as a general-purpose input port (only for the ports with GPIO function)

When using the P_{xy} port pin as a general-purpose input pin, perform the following software initial settings:

1. Write 0 to the PPORTP_xINTCTL.P_xIE_y bit. * (Disable interrupt)
2. When using the chattering filter, configure the PPORT operating clock (see “PPORT Operating Clock”) and set the PPORTP_xCHATEN.P_xCHATEN_y bit to 1. *

When the chattering filter is not used, set the PPORTP_xCHATEN.P_xCHATEN_y bit to 0 (supply of the PPORT operating clock is not required).

3. Configure the following PPORTP_xRCTL register bits when pulling up/down the port using the internal pull-up or down resistor:
 - PPORTP_xRCTL.P_xPDPU_y bit (Select pull-up or pull-down resistor)
 - Set the PPORTP_xRCTL.P_xREN_y bit to 1. (Enable pull-up/down)

Set the PPORTP_xRCTL.P_xREN_y bit to 0 if the internal pull-up/down resistors are not used.

4. Set the PPORTP_xMODESEL.P_xSEL_y bit to 0. (Enable GPIO function)
5. Configure the following bits when using the port input interrupt: *
 - Write 1 to the PPORTP_xINTF.P_xIF_y bit. (Clear interrupt flag)
 - PPORTP_xINTCTL.P_xEDGE_y bit (Select interrupt edge (input rising edge/falling edge))
 - Set the PPORTP_xINTCTL.P_xIE_y bit to 1. (Enable interrupt)
6. Set the following PPORTP_xIOEN register bits:
 - Set the PPORTP_xIOEN.P_xOEN_y bit to 0. (Disable output)
 - Set the PPORTP_xIOEN.P_xIEN_y bit to 1. (Enable input)

* Steps 1 and 5 are required for the ports with an interrupt function. Step 2 is required for the ports with a chattering filter function.

Table 7.4.1.1 lists the port status according to the combination of data input/output control and pull-up/down control.

Table 7.4.1.1 GPIO Port Control List

PPORTPxIOEN. PxIENy bit	PPORTPxIOEN. PxOENy bit	PPORTPxRCTL. PxRENy bit	PPORTPxRCTL. PxPDPy bit	Input	Output	Pull-up/pull-down condition
0	0	0	×	Disabled		Off (Hi-Z) *1
0	0	1	0	Disabled		Pulled down
0	0	1	1	Disabled		Pulled up
1	0	0	×	Enabled	Disabled	Off (Hi-Z) *2
1	0	1	0	Enabled	Disabled	Pulled down
1	0	1	1	Enabled	Disabled	Pulled up
0	1	0	×	Disabled	Enabled	Off
0	1	1	0	Disabled	Enabled	Off
0	1	1	1	Disabled	Enabled	Off
1	1	1	0	Enabled	Enabled	Off
1	1	1	1	Enabled	Enabled	Off

*1: Initial status. Current does not flow if the pin is placed into floating status.

*2: Use of the pull-up or pull-down function is recommended, as undesired current will flow if the port input is set to floating status.

Note: If the PPORTPxMODESEL.PxSELy bit for the port without a GPIO function is set to 0, the port goes into initial status (refer to “Initial Settings”). The GPIO control bits are configured to a read-only bit always read out as 0.

7.4.2 Port Input/Output Control

Peripheral I/O function control

The port for which a peripheral I/O function is selected is controlled by the peripheral circuit. For more information, refer to the respective peripheral circuit chapter.

Setting output data to a GPIO port

Write data (1 = high output, 0 = low output) to be output from the Pxy pin to the PPORTPxDAT.PxOUTy bit.

Reading input data from a GPIO port

The data (1 = high input, 0 = low input) input from the Pxy pin can be read out from the PPORTPxDAT.PxINy bit.

Note: The PPORTPxDAT.PxINy bit retains the input port status at 1 clock before being read from the CPU.

Chattering filter function

Some ports have a chattering filter function and it can be controlled in each port. This function is enabled by setting the PPORTPxCHATEN.PxCHATENy bit to 1. The input sampling time to remove chattering is determined by the CLK_PPOR frequency configured using the PPORTCLK register in common to all ports. The chattering filter removes pulses with a shorter width than the input sampling time.

$$\text{Input sampling time} = \frac{2 \text{ to } 3}{\text{CLK_PPORT frequency [Hz]}} \text{ [second]} \quad (\text{Eq.6.2})$$

Make sure the Pxy port interrupt is disabled before altering the PPORTCLK register and PPORTPxCHATEN.PxCHATENy bit settings. A Pxy port interrupt may erroneously occur if these settings are altered in an interrupt enabled status. Furthermore, enable the interrupt after a lapse of four or more CLK_PPOR cycles from enabling the chattering filter function.

If the clock generator is configured so that it will supply CLK_PPOR to PPORT in SLEEP mode, the chattering filter of the port will function even in SLEEP mode. If CLK_PPOR is configured to stop in SLEEP mode, PPORT inactivates the chattering filter during SLEEP mode to input pin status transitions directly to itself.

Key-entry reset function

This function issues a reset request when low-level pulses are input to all the specified ports simultaneously. Make the following settings when using this function:

1. Configure the ports to be used for key-entry reset as general-purpose input ports (refer to “Initial settings when using a port as a general-purpose input port (only for the ports with GPIO function)”).
2. Configure the input pin combination for key-entry reset using the PPORTCLK.KRSTCFG[1:0] bits.

7 I/O PORTS (PPORT)

Note: When enabling the key-entry reset function, be sure to configure the port pins to be used for it as general-purpose input pins before setting the PPORTCLK.KRSTCFG[1:0] bits.

PPORT issues a reset request immediately after all the input pins specified by the PPORTCLK.KRSTCFG[1:0] are set to a low level if the chattering filter function is disabled (initial status). To issue a reset request only when low-level signals longer than the time configured are input, enable the chattering filter function for all the ports used for key-entry reset.

The pins configured for key-entry reset can also be used as general-purpose input pins.

7.5 Interrupts

When the GPIO function is selected for the port with an interrupt function, the port input interrupt function can be used.

Table 7.5.1 Port Input Interrupt Function

Interrupt	Interrupt flag	Set condition	Clear condition
Port input	PPORTPxINTF.PxIFy	Rising or falling edge of the input signal	Writing 1
interrupt	PPORTINTFGRP.PxINT	Setting an interrupt flag in the port group	Clearing PPORTPxINTF.PxIFy

Interrupt edge selection

Port input interrupts will occur at the falling edge of the input signal when setting the PPORTPxINTCTL.PxEDGEy bit to 1, or the rising edge when setting to 0.

Interrupt enable

PPORT provides interrupt enable bits (PPORTPxINTCTL.PxIEy bit) corresponding to each interrupt flag. An interrupt request is sent to the CPU core only when the interrupt flag, of which interrupt has been enabled by the interrupt enable bit, is set. For more information on interrupt control, refer to the “Interrupt” chapter.

Interrupt check in port group unit

When interrupts are enabled in two or more port groups, check the PPORTINTFGRP.PxINT bit in the interrupt handler first. It helps minimize the handler codes for finding the port that has generated an interrupt. If this bit is set to 1, an interrupt has occurred in the port group. Next, check the PPORTPxINTF.PxIFy bit set to 1 in the port group to determine the port that has generated an interrupt. Clearing the PPORTPxINTF.PxIFy bit also clears the PPORTINTFGRP.PxINT bit. If the port is set to interrupt disabled status by the PPORTPxINTCTL.PxIEy bit, the PPORTINTFGRP.PxINT bit will not be set even if the PPORTPxINTF.PxIFy bit is set to 1.

7.6 Control Registers

This section describes the same control registers of all port groups as a single register. For the register and bit configurations in each port group and their initial values, refer to “Control Register and Port Function Configuration of this IC.”

Px Port Data Register

Register name	Bit	Bit name	Initial	Reset	R/W	Remarks
PPORTPxDAT	15–8	PxOUT[7:0]	0x00	H0	R/W	–
	7–0	PxIN[7:0]	0x00	H0	R	

*1: This register is effective when the GPIO function is selected.

*2: The bit configuration differs depending on the port group.

*3: The initial value may be changed by the port.

Bits 15–8 PxOUT[7:0]

These bits are used to set data to be output from the GPIO port pins.

1 (R/W): Output high level from the port pin

0 (R/W): Output low level from the port pin

When output is enabled (PPORTPxIOEN.PxOENy bit = 1), the port pin outputs the data set here. Although data can be written when output is disabled (PPORTPxIOEN.PxOENy bit = 0), it does not affect the pin status. These bits do not affect the outputs when the port is used as a peripheral I/O function.

Bits 7–0 PxIN[7:0]

The GPIO port pin status can be read out from these bits.

1 (R): Port pin = High level

0 (R): Port pin = Low level

The port pin status can be read out when input is enabled (PPORTPxIOEN.PxIENy bit = 1). When input is disabled (PPORTPxIOEN.PxIENy bit = 0), these bits are always read as 0.

When the port is used for a peripheral I/O function, the input value cannot be read out from these bits.

Px Port Enable Register

Register name	Bit	Bit name	Initial	Reset	R/W	Remarks
PPORTPxIOEN	15–8	PxIEN[7:0]	0x00	H0	R/W	–
	7–0	PxOEN[7:0]	0x00	H0	R/W	

*1: This register is effective when the GPIO function is selected.

*2: The bit configuration differs depending on the port group.

Bits 15–8 PxIEN[7:0]

These bits enable/disable the GPIO port input.

1 (R/W): Enable (The port pin status is input.)

0 (R/W): Disable (Input data is fixed at 0.)

When both data output and data input are enabled, the pin output status controlled by this IC can be read.

These bits do not affect the input control when the port is used as a peripheral I/O function.

Bits 7–0 PxOEN[7:0]

These bits enable/disable the GPIO port output.

1 (R/W): Enable (Data is output from the port pin.)

0 (R/W): Disable (The port is placed into Hi-Z.)

These bits do not affect the output control when the port is used as a peripheral I/O function.

Px Port Pull-up/down Control Register

Register name	Bit	Bit name	Initial	Reset	R/W	Remarks
PPORTPxRCTL	15–8	PxPDPU[7:0]	0x00	H0	R/W	–
	7–0	PxREN[7:0]	0x00	H0	R/W	

*1: This register is effective when the GPIO function is selected.

*2: The bit configuration differs depending on the port group.

Bits 15–8 PxPDPU[7:0]

These bits select either the pull-up resistor or the pull-down resistor when using a resistor built into the port.

1 (R/W): Pull-up resistor

0 (R/W): Pull-down resistor

The selected pull-up/down resistor is enabled when the PPORTPxRCTL.PxRENy bit = 1.

Bits 7–0 PxREN[7:0]

These bits enable/disable the port pull-up/down control.

1 (R/W): Enable (The built-in pull-up/down resistor is used.)

0 (R/W): Disable (No pull-up/down control is performed.)

Enabling this function pulls up or down the port when output is disabled (PPORTPxIOEN.PxOENy bit = 0). When output is enabled (PPORTPxIOEN.PxOENy bit = 1), the PPORTPxRCTL.PxRENy bit setting is ineffective regardless of how the PPORTPxIOEN.PxIENy bit is set and the port is not pulled up/down. These bits do not affect the pull-up/down control when the port is used as a peripheral I/O function.

Px Port Interrupt Flag Register

Register name	Bit	Bit name	Initial	Reset	R/W	Remarks
PPORTPxINTF	15–8	–	0x00	–	R	–
	7–0	PxIF[7:0]	0x00	H0	R/W	Cleared by writing 1.

*1: This register is effective when the GPIO function is selected.

*2: The bit configuration differs depending on the port group.

Bits 15–8 Reserved

Bits 7–0 PxIF[7:0]

These bits indicate the port input interrupt cause occurrence status.

1 (R): Cause of interrupt occurred

0 (R): No cause of interrupt occurred

1 (W): Clear flag

0 (W): Ineffective

Px Port Interrupt Control Register

Register name	Bit	Bit name	Initial	Reset	R/W	Remarks
PPORTPxINTCTL	15–8	PxEDGE[7:0]	0x00	H0	R/W	–
	7–0	PxIE[7:0]	0x00	H0	R/W	–

*1: This register is effective when the GPIO function is selected.

*2: The bit configuration differs depending on the port group.

Bits 15–8 PxEDGE[7:0]

These bits select the input signal edge to generate a port input interrupt.

1 (R/W): An interrupt will occur at a falling edge.

0 (R/W): An interrupt will occur at a rising edge.

Bits 7–0 PxIE[7:0]

These bits enable port input interrupts.

1 (R/W): Enable interrupts

0 (R/W): Disable interrupts

Note: To prevent generating unnecessary interrupts, the corresponding interrupt flag should be cleared before enabling interrupts.

Px Port Chattering Filter Enable Register

Register name	Bit	Bit name	Initial	Reset	R/W	Remarks
PPORTPxCHATEN	15–8	–	0x00	–	R	–
	7–0	PxCHATEN[7:0]	0x00	H0	R/W	–

*1: The bit configuration differs depending on the port group.

Bits 15–8 Reserved

Bits 7–0 PxCHATEN[7:0]

These bits enable/disable the chattering filter function.

1 (R/W): Enable (The chattering filter is used.)

0 (R/W): Disable (The chattering filter is bypassed.)

Px Port Mode Select Register

Register name	Bit	Bit name	Initial	Reset	R/W	Remarks
PPORTPxMODSEL	15–8	–	0x00	–	R	–
	7–0	PxSEL[7:0]	0x00	H0	R/W	–

*1: The bit configuration differs depending on the port group.

*2: The initial value may be changed by the port.

Bits 15–8 Reserved

Bits 7–0 PxSEL[7:0]

These bits select whether each port is used for the GPIO function or a peripheral I/O function.

1 (R/W): Use peripheral I/O function

0 (R/W): Use GPIO function

Px Port Function Select Register

Register name	Bit	Bit name	Initial	Reset	R/W	Remarks
PPORTPxFNCSEL	15–14	Px7MUX[1:0]	0x0	H0	R/W	–
	13–12	Px6MUX[1:0]	0x0	H0	R/W	
	11–10	Px5MUX[1:0]	0x0	H0	R/W	
	9–8	Px4MUX[1:0]	0x0	H0	R/W	
	7–6	Px3MUX[1:0]	0x0	H0	R/W	
	5–4	Px2MUX[1:0]	0x0	H0	R/W	
	3–2	Px1MUX[1:0]	0x0	H0	R/W	
	1–0	Px0MUX[1:0]	0x0	H0	R/W	

*1: The bit configuration differs depending on the port group.

*2: The initial value may be changed by the port.

Bits 15–14 Px7MUX[1:0]

: :

Bits 1–0 Px0MUX[1:0]

These bits select the peripheral I/O function to be assigned to each port pin.

Table 7.6.1 Selecting Peripheral I/O Function

PPORTPxFNCSEL.PxyMUX[1:0] bits	Peripheral I/O function
0x3	Function 3
0x2	Function 2
0x1	Function 1
0x0	Function 0

This selection takes effect when the PPORTPxMODESEL.PxSELy bit = 1.

P Port Clock Control Register

Register name	Bit	Bit name	Initial	Reset	R/W	Remarks
PPORTCLK	15–9	–	0x00	–	R	–
	8	DBRUN	0	H0	R/WP	
	7–4	CLKDIV[3:0]	0x0	H0	R/WP	
	3–2	KRSTCFG[1:0]	0x0	H0	R/WP	
	1–0	CLKSRC[1:0]	0x0	H0	R/WP	

Bits 15–9 Reserved**Bit 8 DBRUN**

This bit sets whether the PPORT operating clock is supplied during debugging or not.

1 (R/WP): Clock supplied during debugging

0 (R/WP): No clock supplied during debugging

Bits 7–4 CLKDIV[3:0]

These bits select the division ratio of the PPORT operating clock (chattering filter clock).

Bits 3–2 KRSTCFG[1:0]

These bits configure the key-entry reset function.

Table 7.6.2 Key-Entry Reset Function Settings

PPORTCLK.KRSTCFG[1:0] bits	key-entry reset
0x3	Reset when P0[3:0] inputs = all low
0x2	Reset when P0[2:0] inputs = all low
0x1	Reset when P0[1:0] inputs = all low
0x0	Disable

7 I/O PORTS (PPORT)

Bits 1–0 CLKSRC[1:0]

These bits select the clock source of PPORT (chattering filter).

The PPORT operating clock should be configured by selecting the clock source using the PPORT-CLK.CLKSRC[1:0] bits and the clock division ratio using the PPORTCLK.CLKDIV[3:0] bits as shown in Table 7.6.3. These settings determine the input sampling time of the chattering filter.

Table 7.6.3 Clock Source and Division Ratio Settings

PPORTCLK.CLKDIV[3:0] bits	PPORTCLK.CLKSRC[1:0] bits			
	0x0	0x1	0x2	0x3
	IOSC	OSC1	OSC3	EXOSC
0xf	1/32,768			1/1
0xe	1/16,384			
0xd	1/8,192			
0xc	1/4,096			
0xb	1/2,048			
0xa	1/1,024			
0x9	1/512			
0x8	1/256			
0x7	1/128			
0x6	1/64			
0x5	1/32			
0x4	1/16			
0x3	1/8			
0x2	1/4			
0x1	1/2			
0x0	1/1			

(Note) The oscillation circuits/external input that are not supported in this IC cannot be selected as the clock source.

P Port Interrupt Flag Group Register

Register name	Bit	Bit name	Initial	Reset	R/W	Remarks
PPORTINTFGRP	15–13	–	0x0	–	R	–
	12	PCINT	0	H0	R	
	11	PBINT	0	H0	R	
	10	PAINT	0	H0	R	
	9	P9INT	0	H0	R	
	8	P8INT	0	H0	R	
	7	P7INT	0	H0	R	
	6	P6INT	0	H0	R	
	5	P5INT	0	H0	R	
	4	P4INT	0	H0	R	
	3	P3INT	0	H0	R	
	2	P2INT	0	H0	R	
	1	P1INT	0	H0	R	
	0	P0INT	0	H0	R	

*1: Only the bits corresponding to the port groups that support interrupts are provided.

Bits 15–13 Reserved

Bits 12–0 PxINT

These bits indicate that Px port group includes a port that has generated an interrupt.

1 (R): A port generated an interrupt

0 (R): No port generated an interrupt

The PPORTINTFGRP.PxINT bit is cleared when the interrupt flag for the port that has generated an interrupt is cleared.

7.7 Control Register and Port Function Configuration of this IC

This section shows the PPORT control register/bit configuration in this IC and the list of peripheral I/O functions selectable for each port.

7.7.1 P0 Port Group

The P0 port group supports the GPIO and interrupt functions.

Table 7.7.1.1 Control Registers for P0 Port Group

Register name	Bit	Bit name	Initial	Reset	R/W	Remarks
PPORTP0DAT (P0 Port Data Register)	15–8	P0OUT[7:0]	0x00	H0	R/W	–
	7–0	P0IN[7:0]	0x00	H0	R	
PPORTP0IOEN (P0 Port Enable Register)	15–8	P0IEN[7:0]	0x00	H0	R/W	–
	7–0	P0OEN[7:0]	0x00	H0	R/W	
PPORTP0RCTL (P0 Port Pull-up/down Control Register)	15–8	P0DPU[7:0]	0x00	H0	R/W	–
	7–0	P0REN[7:0]	0x00	H0	R/W	
PPORTP0INTF (P0 Port Interrupt Flag Register)	15–8	–	0x00	–	R	Cleared by writing 1.
	7–0	P0IF[7:0]	0x00	H0	R/W	
PPORTP0INTCTL (P0 Port Interrupt Control Register)	15–8	P0EDGE[7:0]	0x00	H0	R/W	–
	7–0	P0IE[7:0]	0x00	H0	R/W	
PPORTP0CHATEN (P0 Port Chattering Filter Enable Register)	15–8	–	0x00	–	R	–
	7–0	P0CHATEN[7:0]	0x00	H0	R/W	
PPORTP0MODESEL (P0 Port Mode Select Register)	15–8	–	0x00	–	R	–
	7–0	P0SEL[7:0]	0x00	H0	R/W	
PPORTP0FNCSEL (P0 Port Function Select Register)	15–14	P07MUX[1:0]	0x0	H0	R/W	–
	13–12	P06MUX[1:0]	0x0	H0	R/W	
	11–10	P05MUX[1:0]	0x0	H0	R/W	
	9–8	P04MUX[1:0]	0x0	H0	R/W	
	7–6	P03MUX[1:0]	0x0	H0	R/W	
	5–4	P02MUX[1:0]	0x0	H0	R/W	
	3–2	P01MUX[1:0]	0x0	H0	R/W	
	1–0	P00MUX[1:0]	0x0	H0	R/W	

Table 7.7.1.2 P0 Port Group Function Assignment

Port name	P0SELY = 0		P0SELY = 1							
	GPIO	P0yMUX = 0x0 (Function 0)		P0yMUX = 0x1 (Function 1)		P0yMUX = 0x2 (Function 2)		P0yMUX = 0x3 (Function 3)		
		Peripheral	Pin	Peripheral	Pin	Peripheral	Pin	Peripheral	Pin	
P00	P00	SPIA Ch.0	SDIO	UPMUX	*1	–	–	–	–	
P01	P01	SPIA Ch.0	SDO0	UPMUX	*1	–	–	–	–	
P02	P02	SPIA Ch.0	SPICLK0	UPMUX	*1	–	–	–	–	
P03	P03	SPIA Ch.0	#SPISS0	UPMUX	*1	–	–	–	–	
P04	P04	RFC Ch.0	SENB0	UPMUX	*1	–	–	–	–	
P05	P05	RFC Ch.0	SENA0	UPMUX	*1	–	–	–	–	
P06	P06	RFC Ch.0	REF0	UPMUX	*1	–	–	–	–	
P07	P07	RFC Ch.0	RFIN0	UPMUX	*1	–	–	–	–	

*1: Refer to the “Universal Port Multiplexer” chapter.

7.7.2 P1 Port Group

The P1 port group supports the GPIO and interrupt functions.

Table 7.7.2.1 Control Registers for P1 Port Group

Register name	Bit	Bit name	Initial	Reset	R/W	Remarks
PPORTP1DAT (P1 Port Data Register)	15–8	P1OUT[7:0]	0x00	H0	R/W	–
	7–0	P1IN[7:0]	0x00	H0	R	
PPORTP1IOEN (P1 Port Enable Register)	15–8	P1IEN[7:0]	0x00	H0	R/W	–
	7–0	P1OEN[7:0]	0x00	H0	R/W	
PPORTP1RCTL (P1 Port Pull-up/down Control Register)	15–8	P1PDPJU[7:0]	0x00	H0	R/W	–
	7–0	P1REN[7:0]	0x00	H0	R/W	
PPORTP1INTF (P1 Port Interrupt Flag Register)	15–8	–	0x00	–	R	–
	7–0	P1IF[7:0]	0x00	H0	R/W	
PPORTP1INTCTL (P1 Port Interrupt Control Register)	15–8	P1EDGE[7:0]	0x00	H0	R/W	–
	7–0	P1IE[7:0]	0x00	H0	R/W	
PPORTP1CHATEN (P1 Port Chattering Filter Enable Register)	15–8	–	0x00	–	R	–
	7–0	P1CHATEN[7:0]	0x00	H0	R/W	
PPORTP1MODSEL (P1 Port Mode Select Register)	15–8	–	0x00	–	R	–
	7–0	P1SEL[7:0]	0x00	H0	R/W	
PPORTP1FNCSSEL (P1 Port Function Select Register)	15–14	P17MUX[1:0]	0x0	H0	R/W	–
	13–12	P16MUX[1:0]	0x0	H0	R/W	
	11–10	P15MUX[1:0]	0x0	H0	R/W	
	9–8	P14MUX[1:0]	0x0	H0	R/W	
	7–6	P13MUX[1:0]	0x0	H0	R/W	
	5–4	P12MUX[1:0]	0x0	H0	R/W	
	3–2	P11MUX[1:0]	0x0	H0	R/W	
	1–0	P10MUX[1:0]	0x0	H0	R/W	

Table 7.7.2.2 P1 Port Group Function Assignment

Port name	P1SELY = 0		P1SELY = 1						
	GPIO	P1yMUX = 0x0 (Function 0)		P1yMUX = 0x1 (Function 1)		P1yMUX = 0x2 (Function 2)		P1yMUX = 0x3 (Function 3)	
		Peripheral	Pin	Peripheral	Pin	Peripheral	Pin	Peripheral	Pin
P10	P10	SNDA	BZOUT	UPMUX	*1	–	–	–	–
P11	P11	SNDA	#BZOUT	UPMUX	*1	–	–	–	–
P12	P12	T16B Ch.0	EXCL00	UPMUX	*1	–	–	–	–
P13	P13	T16B Ch.1	EXCL10	UPMUX	*1	–	–	–	–
P14	P14	CLG	FOUT	UPMUX	*1	–	–	–	–
P15	P15	REMC2	REMO	UPMUX	*1	–	–	–	–
P16	P16	REMC2	CLPLS	UPMUX	*1	–	–	–	–
P17	P17	RTCA	RTC1S	UPMUX	*1	–	–	–	–

*1: Refer to the “Universal Port Multiplexer” chapter.

7.7.3 P2 Port Group

The P2 port group supports the GPIO and interrupt functions.

Table 7.7.3.1 Control Registers for P2 Port Group

Register name	Bit	Bit name	Initial	Reset	R/W	Remarks
PPORTP2DAT (P2 Port Data Register)	15–8	P2OUT[7:0]	0x00	H0	R/W	–
	7–0	P2IN[7:0]	0x00	H0	R	
PPORTP2IOEN (P2 Port Enable Register)	15–8	P2IEN[7:0]	0x00	H0	R/W	–
	7–0	P2OEN[7:0]	0x00	H0	R/W	
PPORTP2RCTL (P2 Port Pull-up/down Control Register)	15–8	P2PDPU[7:0]	0x00	H0	R/W	–
	7–0	P2REN[7:0]	0x00	H0	R/W	
PPORTP2INTF (P2 Port Interrupt Flag Register)	15–8	–	0x00	–	R	Cleared by writing 1.
	7–0	P2IF[7:0]	0x00	H0	R/W	
PPORTP2INTCTL (P2 Port Interrupt Control Register)	15–8	P2EDGE[7:0]	0x00	H0	R/W	–
	7–0	P2IE[7:0]	0x00	H0	R/W	
PPORTP2CHATEN (P2 Port Chattering Filter Enable Register)	15–8	–	0x00	–	R	–
	7–0	P2CHATEN[7:0]	0x00	H0	R/W	
PPORTP2MODSEL (P2 Port Mode Select Register)	15–8	–	0x00	–	R	–
	7–0	P2SEL[7:0]	0x00	H0	R/W	
PPORTP2FNCSEL (P2 Port Function Select Register)	15–14	P27MUX[1:0]	0x0	H0	R/W	–
	13–12	P26MUX[1:0]	0x0	H0	R/W	
	11–10	P25MUX[1:0]	0x0	H0	R/W	
	9–8	P24MUX[1:0]	0x0	H0	R/W	
	7–6	P23MUX[1:0]	0x0	H0	R/W	
	5–4	P22MUX[1:0]	0x0	H0	R/W	
	3–2	P21MUX[1:0]	0x0	H0	R/W	
	1–0	P20MUX[1:0]	0x0	H0	R/W	

Table 7.7.3.2 P2 Port Group Function Assignment

Port name	P2SELY = 0		P2SELY = 1							
	GPIO	P2yMUX = 0x0 (Function 0)		P2yMUX = 0x1 (Function 1)		P2yMUX = 0x2 (Function 2)		P2yMUX = 0x3 (Function 3)		
		Peripheral	Pin	Peripheral	Pin	Peripheral	Pin	Peripheral	Pin	
P20	P20	–	–	QSPI Ch.0	QSPICLK0	–	–	–	–	
P21	P21	–	–	QSPI Ch.0	QSDIO00	–	–	–	–	
P22	P22	–	–	QSPI Ch.0	QSDIO01	–	–	–	–	
P23	P23	–	–	QSPI Ch.0	QSDIO02	–	–	–	–	
P24	P24	T16B Ch.0	EXCL01	QSPI Ch.0	QSDIO03	–	–	–	–	
P25	P25	T16B Ch.1	EXCL11	QSPI Ch.0	#QSPISS0	–	–	–	–	
P26	P26	CLG	EXOSC	–	–	–	–	–	–	
P27	P27	–	–	–	–	SVD2 Ch.0	EXSVD0	–	–	

7.7.4 P3 Port Group

The P3 port group supports the GPIO and interrupt functions.

Table 7.7.4.1 Control Registers for P3 Port Group

Register name	Bit	Bit name	Initial	Reset	R/W	Remarks
PPORTP3DAT (P3 Port Data Register)	15–8	P3OUT[7:0]	0x00	H0	R/W	–
	7–0	P3IN[7:0]	0x00	H0	R	
PPORTP3IOEN (P3 Port Enable Register)	15–8	P3IEN[7:0]	0x00	H0	R/W	–
	7–0	P3OEN[7:0]	0x00	H0	R/W	
PPORTP3RCTL (P3 Port Pull-up/down Control Register)	15–8	P3PDPUL[7:0]	0x00	H0	R/W	–
	7–0	P3REN[7:0]	0x00	H0	R/W	
PPORTP3INTF (P3 Port Interrupt Flag Register)	15–8	–	0x00	–	R	–
	7–0	P3IF[7:0]	0x00	H0	R/W	
PPORTP3INTCTL (P3 Port Interrupt Control Register)	15–8	P3EDGE[7:0]	0x00	H0	R/W	–
	7–0	P3IE[7:0]	0x00	H0	R/W	
PPORTP3CHATEN (P3 Port Chattering Filter Enable Register)	15–8	–	0x00	–	R	–
	7–0	P3CHATEN[7:0]	0x00	H0	R/W	
PPORTP3MODSEL (P3 Port Mode Select Register)	15–8	–	0x00	–	R	–
	7–0	P3SEL[7:0]	0x00	H0	R/W	
PPORTP3FNCSEL (P3 Port Function Select Register)	15–14	P37MUX[1:0]	0x0	H0	R/W	–
	13–12	P36MUX[1:0]	0x0	H0	R/W	
	11–10	P35MUX[1:0]	0x0	H0	R/W	
	9–8	P34MUX[1:0]	0x0	H0	R/W	
	7–6	P33MUX[1:0]	0x0	H0	R/W	
	5–4	P32MUX[1:0]	0x0	H0	R/W	
	3–2	P31MUX[1:0]	0x0	H0	R/W	
	1–0	P30MUX[1:0]	0x0	H0	R/W	

Table 7.7.4.2 P3 Port Group Function Assignment

Port name	P3SELY = 0 GPIO	P3SELY = 1							
		P3yMUX = 0x0 (Function 0)		P3yMUX = 0x1 (Function 1)		P3yMUX = 0x2 (Function 2)		P3yMUX = 0x3 (Function 3)	
		Peripheral	Pin	Peripheral	Pin	Peripheral	Pin	Peripheral	Pin
P30	P30	LCD32B	LFRO	UPMUX	*1	–	–	LCD32B	COM16/ SEG87
P31	P31	RFC Ch.0	RFCLK00	UPMUX	*1	–	–	LCD32B	COM17/ SEG86
P32	P32	–	–	UPMUX	*1	–	–	LCD32B	COM18/ SEG85
P33	P33	–	–	UPMUX	*1	–	–	LCD32B	COM19/ SEG84
P34	P34	–	–	UPMUX	*1	–	–	LCD32B	COM20/ SEG83
P35	P35	–	–	UPMUX	*1	–	–	LCD32B	COM21/ SEG82
P36	P36	–	–	UPMUX	*1	–	–	LCD32B	COM22/ SEG81
P37	P37	–	–	UPMUX	*1	–	–	LCD32B	COM23/ SEG80

*1: Refer to the “Universal Port Multiplexer” chapter.

7.7.5 P4 Port Group

The P4 port group supports the GPIO and interrupt functions.

Table 7.7.5.1 Control Registers for P4 Port Group

Register name	Bit	Bit name	Initial	Reset	R/W	Remarks
PPORTP4DAT (P4 Port Data Register)	15–8	P4OUT[7:0]	0x00	H0	R/W	–
	7–0	P4IN[7:0]	0x00	H0	R	
PPORTP4IOEN (P4 Port Enable Register)	15–8	P4IEN[7:0]	0x00	H0	R/W	–
	7–0	P4OEN[7:0]	0x00	H0	R/W	
PPORTP4RCTL (P4 Port Pull-up/down Control Register)	15–8	P4PDPU[7:0]	0x00	H0	R/W	–
	7–0	P4REN[7:0]	0x00	H0	R/W	
PPORTP4INTF (P4 Port Interrupt Flag Register)	15–8	–	0x00	–	R	Cleared by writing 1.
	7–0	P4IF[7:0]	0x00	H0	R/W	
PPORTP4INTCTL (P4 Port Interrupt Control Register)	15–8	P4EDGE[7:0]	0x00	H0	R/W	–
	7–0	P4IE[7:0]	0x00	H0	R/W	
PPORTP4CHATEN (P4 Port Chattering Filter Enable Register)	15–8	–	0x00	–	R	–
	7–0	P4CHATEN[7:0]	0x00	H0	R/W	
PPORTP4MODSEL (P4 Port Mode Select Register)	15–8	–	0x00	–	R	–
	7–0	P4SEL[7:0]	0x00	H0	R/W	
PPORTP4FNCSEL (P4 Port Function Select Register)	15–14	P47MUX[1:0]	0x3	H0	R	–
	13–12	P46MUX[1:0]	0x3	H0	R	
	11–10	P45MUX[1:0]	0x3	H0	R	
	9–8	P44MUX[1:0]	0x3	H0	R	
	7–6	P43MUX[1:0]	0x3	H0	R	
	5–4	P42MUX[1:0]	0x3	H0	R	
	3–2	P41MUX[1:0]	0x3	H0	R	
	1–0	P40MUX[1:0]	0x3	H0	R	

Table 7.7.5.2 P4 Port Group Function Assignment

Port name	P4SELY = 0 GPIO	P4SELY = 1							
		P4yMUX = 0x0 (Function 0)		P4yMUX = 0x1 (Function 1)		P4yMUX = 0x2 (Function 2)		P4yMUX = 0x3 (Function 3)	
		Peripheral	Pin	Peripheral	Pin	Peripheral	Pin	Peripheral	Pin
P40	P40	–	–	–	–	–	–	LCD32B	COM24/ SEG79
P41	P41	–	–	–	–	–	–	LCD32B	COM25/ SEG78
P42	P42	–	–	–	–	–	–	LCD32B	COM26/ SEG77
P43	P43	–	–	–	–	–	–	LCD32B	COM27/ SEG76
P44	P44	–	–	–	–	–	–	LCD32B	COM28/ SEG75
P45	P45	–	–	–	–	–	–	LCD32B	COM29/ SEG74
P46	P46	–	–	–	–	–	–	LCD32B	COM30/ SEG73
P47	P47	–	–	–	–	–	–	LCD32B	COM31/ SEG72

7.7.6 P5 Port Group

The P5 port group supports the GPIO and interrupt functions.

Table 7.7.6.1 Control Registers for P5 Port Group

Register name	Bit	Bit name	Initial	Reset	R/W	Remarks
PPORTP5DAT (P5 Port Data Register)	15–8	P5OUT[7:0]	0x00	H0	R/W	–
	7–0	P5IN[7:0]	0x00	H0	R	
PPORTP5IOEN (P5 Port Enable Register)	15–8	P5IEN[7:0]	0x00	H0	R/W	–
	7–0	P5OEN[7:0]	0x00	H0	R/W	
PPORTP5RCTL (P5 Port Pull-up/down Control Register)	15–8	P5PDPUL[7:0]	0x00	H0	R/W	–
	7–0	P5REN[7:0]	0x00	H0	R/W	
PPORTP5INTF (P5 Port Interrupt Flag Register)	15–8	–	0x00	–	R	Cleared by writing 1.
	7–0	P5IF[7:0]	0x00	H0	R/W	
PPORTP5INTCTL (P5 Port Interrupt Control Register)	15–8	P5EDGE[7:0]	0x00	H0	R/W	–
	7–0	P5IE[7:0]	0x00	H0	R/W	
PPORTP5CHATEN (P5 Port Chattering Filter Enable Register)	15–8	–	0x00	–	R	–
	7–0	P5CHATEN[7:0]	0x00	H0	R/W	
PPORTP5MODESEL (P5 Port Mode Select Register)	15–8	–	0x00	–	R	–
	7–0	P5SEL[7:0]	0x00	H0	R/W	
PPORTP5FNCSSEL (P5 Port Function Select Register)	15–14	P57MUX[1:0]	0x3	H0	R	–
	13–12	P56MUX[1:0]	0x3	H0	R	
	11–10	P55MUX[1:0]	0x3	H0	R	
	9–8	P54MUX[1:0]	0x3	H0	R	
	7–6	P53MUX[1:0]	0x3	H0	R	
	5–4	P52MUX[1:0]	0x3	H0	R	
	3–2	P51MUX[1:0]	0x3	H0	R	
	1–0	P50MUX[1:0]	0x3	H0	R	

Table 7.7.6.2 P5 Port Group Function Assignment

Port name	P5SELY = 0 GPIO	P5SELY = 1							
		P5yMUX = 0x0 (Function 0)		P5yMUX = 0x1 (Function 1)		P5yMUX = 0x2 (Function 2)		P5yMUX = 0x3 (Function 3)	
		Peripheral	Pin	Peripheral	Pin	Peripheral	Pin	Peripheral	Pin
P50	P50	–	–	–	–	–	–	LCD32B	SEG71
P51	P51	–	–	–	–	–	–	LCD32B	SEG70
P52	P52	–	–	–	–	–	–	LCD32B	SEG69
P53	P53	–	–	–	–	–	–	LCD32B	SEG68
P54	P54	–	–	–	–	–	–	LCD32B	SEG67
P55	P55	–	–	–	–	–	–	LCD32B	SEG66
P56	P56	–	–	–	–	–	–	LCD32B	SEG65
P57	P57	–	–	–	–	–	–	LCD32B	SEG64

7.7.7 P6 Port Group

The P6 port group supports the GPIO and interrupt functions.

Table 7.7.7.1 Control Registers for P6 Port Group

Register name	Bit	Bit name	Initial	Reset	R/W	Remarks
PPORTP6DAT (P6 Port Data Register)	15–8	P6OUT[7:0]	0x00	H0	R/W	–
	7–0	P6IN[7:0]	0x00	H0	R	
PPORTP6IOEN (P6 Port Enable Register)	15–8	P6IEN[7:0]	0x00	H0	R/W	–
	7–0	P6OEN[7:0]	0x00	H0	R/W	
PPORTP6RCTL (P6 Port Pull-up/down Control Register)	15–8	P6PDPDU[7:0]	0x00	H0	R/W	–
	7–0	P6REN[7:0]	0x00	H0	R/W	
PPORTP6INTF (P6 Port Interrupt Flag Register)	15–8	–	0x00	–	R	Cleared by writing 1.
	7–0	P6IF[7:0]	0x00	H0	R/W	
PPORTP6INTCTL (P6 Port Interrupt Control Register)	15–8	P6EDGE[7:0]	0x00	H0	R/W	–
	7–0	P6IE[7:0]	0x00	H0	R/W	
PPORTP6CHATEN (P6 Port Chattering Filter Enable Register)	15–8	–	0x00	–	R	–
	7–0	P6CHATEN[7:0]	0x00	H0	R/W	
PPORTP6MODSEL (P6 Port Mode Select Register)	15–8	–	0x00	–	R	–
	7–0	P6SEL[7:0]	0x00	H0	R/W	
PPORTP6FNCSEL (P6 Port Function Select Register)	15–14	P67MUX[1:0]	0x3	H0	R	–
	13–12	P66MUX[1:0]	0x3	H0	R	
	11–10	P65MUX[1:0]	0x3	H0	R	
	9–8	P64MUX[1:0]	0x3	H0	R	
	7–6	P63MUX[1:0]	0x3	H0	R	
	5–4	P62MUX[1:0]	0x3	H0	R	
	3–2	P61MUX[1:0]	0x3	H0	R	
	1–0	P60MUX[1:0]	0x3	H0	R	

Table 7.7.7.2 P6 Port Group Function Assignment

Port name	P6SELY = 0 GPIO	P6SELY = 1							
		P6yMUX = 0x0 (Function 0)		P6yMUX = 0x1 (Function 1)		P6yMUX = 0x2 (Function 2)		P6yMUX = 0x3 (Function 3)	
		Peripheral	Pin	Peripheral	Pin	Peripheral	Pin	Peripheral	Pin
P60	P60	–	–	–	–	–	–	LCD32B	SEG63
P61	P61	–	–	–	–	–	–	LCD32B	SEG62
P62	P62	–	–	–	–	–	–	LCD32B	SEG61
P63	P63	–	–	–	–	–	–	LCD32B	SEG60
P64	P64	–	–	–	–	–	–	LCD32B	SEG59
P65	P65	–	–	–	–	–	–	LCD32B	SEG58
P66	P66	–	–	–	–	–	–	LCD32B	SEG57
P67	P67	–	–	–	–	–	–	LCD32B	SEG56

7.7.8 P7 Port Group

The P7 port group supports the GPIO and interrupt functions.

Table 7.7.8.1 Control Registers for P7 Port Group

Register name	Bit	Bit name	Initial	Reset	R/W	Remarks
PPORTP7DAT (P7 Port Data Register)	15–8	P7OUT[7:0]	0x00	H0	R/W	–
	7–0	P7IN[7:0]	0x00	H0	R	
PPORTP7IOEN (P7 Port Enable Register)	15–8	P7IEN[7:0]	0x00	H0	R/W	–
	7–0	P7OEN[7:0]	0x00	H0	R/W	
PPORTP7RCTL (P7 Port Pull-up/down Control Register)	15–8	P7PDPUL[7:0]	0x00	H0	R/W	–
	7–0	P7REN[7:0]	0x00	H0	R/W	
PPORTP7INTF (P7 Port Interrupt Flag Register)	15–8	–	0x00	–	R	Cleared by writing 1.
	7–0	P7IF[7:0]	0x00	H0	R/W	
PPORTP7INTCTL (P7 Port Interrupt Control Register)	15–8	P7EDGE[7:0]	0x00	H0	R/W	–
	7–0	P7IE[7:0]	0x00	H0	R/W	
PPORTP7CHATEN (P7 Port Chattering Filter Enable Register)	15–8	–	0x00	–	R	–
	7–0	P7CHATEN[7:0]	0x00	H0	R/W	
PPORTP7MODESEL (P7 Port Mode Select Register)	15–8	–	0x00	–	R	–
	7–0	P7SEL[7:0]	0x00	H0	R/W	
PPORTP7FNCSSEL (P7 Port Function Select Register)	15–14	P77MUX[1:0]	0x3	H0	R	–
	13–12	P76MUX[1:0]	0x3	H0	R	
	11–10	P75MUX[1:0]	0x3	H0	R	
	9–8	P74MUX[1:0]	0x3	H0	R	
	7–6	P73MUX[1:0]	0x3	H0	R	
	5–4	P72MUX[1:0]	0x3	H0	R	
	3–2	P71MUX[1:0]	0x3	H0	R	
	1–0	P70MUX[1:0]	0x3	H0	R	

Table 7.7.8.2 P7 Port Group Function Assignment

Port name	P7SELY = 0 GPIO	P7SELY = 1							
		P7yMUX = 0x0 (Function 0)		P7yMUX = 0x1 (Function 1)		P7yMUX = 0x2 (Function 2)		P7yMUX = 0x3 (Function 3)	
		Peripheral	Pin	Peripheral	Pin	Peripheral	Pin	Peripheral	Pin
P70	P70	–	–	–	–	–	–	LCD32B	SEG9
P71	P71	–	–	–	–	–	–	LCD32B	SEG8
P72	P72	–	–	–	–	–	–	LCD32B	SEG7
P73	P73	–	–	–	–	–	–	LCD32B	SEG6
P74	P74	–	–	–	–	–	–	LCD32B	SEG5
P75	P75	–	–	–	–	–	–	LCD32B	SEG4
P76	P76	–	–	–	–	–	–	LCD32B	SEG3
P77	P77	–	–	–	–	–	–	LCD32B	SEG2

7.7.9 P8 Port Group

The P8 port group consists of two ports P80–P81 and they support the GPIO and interrupt functions.

Table 7.7.9.1 Control Registers for P8 Port Group

Register name	Bit	Bit name	Initial	Reset	R/W	Remarks
PPORTP8DAT (P8 Port Data Register)	15–10	–	0x00	–	R	–
	9–8	P8OUT[1:0]	0x0	H0	R/W	
	7–2	–	0x00	–	R	
	1–0	P8IN[1:0]	0x0	H0	R	
PPORTP8IOEN (P8 Port Enable Register)	15–10	–	0x00	–	R	–
	9–8	P8IEN[1:0]	0x0	H0	R/W	
	7–2	–	0x00	–	R	
	1–0	P8OEN[1:0]	0x0	H0	R/W	
PPORTP8RCTL (P8 Port Pull-up/down Control Register)	15–10	–	0x00	–	R	–
	9–8	P8PDPUP[1:0]	0x0	H0	R/W	
	7–2	–	0x00	–	R	
	1–0	P8REN[1:0]	0x0	H0	R/W	
PPORTP8INTF (P8 Port Interrupt Flag Register)	15–8	–	0x00	–	R	–
	7–2	–	0x00	–	R	
	1–0	P8IF[1:0]	0x0	H0	R/W	
PPORTP8INTCTL (P8 Port Interrupt Control Register)	15–10	–	0x00	–	R	–
	9–8	P8EDGE[1:0]	0x0	H0	R/W	
	7–2	–	0x00	–	R	
	1–0	P8IE[1:0]	0x0	H0	R/W	
PPORTP8CHATEN (P8 Port Chattering Filter Enable Register)	15–8	–	0x00	–	R	–
	7–2	–	0x00	–	R	
	1–0	P8CHATEN[1:0]	0x0	H0	R/W	
PPORTP8MODSEL (P8 Port Mode Select Register)	15–8	–	0x00	–	R	–
	7–2	–	0x00	–	R	
	1–0	P8SEL[1:0]	0x0	H0	R/W	
PPORTP8FNCSEL (P8 Port Function Select Register)	15–8	–	0xff	–	R	–
	7–4	–	0xff	–	R	
	3–2	P81MUX[1:0]	0x3	H0	R	
	1–0	P80MUX[1:0]	0x3	H0	R	

Table 7.7.9.2 P8 Port Group Function Assignment

Port name	P8SELY = 0 GPIO	P8SELY = 1							
		P8yMUX = 0x0 (Function 0)		P8yMUX = 0x1 (Function 1)		P8yMUX = 0x2 (Function 2)		P8yMUX = 0x3 (Function 3)	
		Peripheral	Pin	Peripheral	Pin	Peripheral	Pin	Peripheral	Pin
P80	P80	–	–	–	–	–	–	LCD32B	SEG1
P81	P81	–	–	–	–	–	–	LCD32B	SEG0

7.7.10 P9 Port Group

The P9 port group consists of one port P90 and it supports the GPIO and interrupt functions.

Table 7.7.10.1 Control Registers for P9 Port Group

Register name	Bit	Bit name	Initial	Reset	R/W	Remarks
PPORTP9DAT (P9 Port Data Register)	15–9	–	0x00	–	R	–
	8	P9OUT0	0	H0	R/W	
	7–1	–	0x00	–	R	
	0	P9IN0	0	H0	R	
PPORTP9IOEN (P9 Port Enable Register)	15–9	–	0x00	–	R	–
	8	P9IEN0	0	H0	R/W	
	7–1	–	0x00	–	R	
	0	P9OEN0	0	H0	R/W	
PPORTP9RCTL (P9 Port Pull-up/down Control Register)	15–9	–	0x00	–	R	–
	8	P9PDU0	0	H0	R/W	
	7–1	–	0x00	–	R	
	0	P9REN0	0	H0	R/W	
PPORTP9INTF (P9 Port Interrupt Flag Register)	15–8	–	0x00	–	R	–
	7–1	–	0x00	–	R	
	0	P9IF0	0	H0	R/W	
PPORTP9INTCTL (P9 Port Interrupt Control Register)	15–9	–	0x00	–	R	–
	8	P9EDGE0	0	H0	R/W	
	7–1	–	0x00	–	R	
	0	P9IE0	0	H0	R/W	
PPORTP9CHATEN (P9 Port Chattering Filter Enable Register)	15–8	–	0x00	–	R	–
	7–1	–	0x00	–	R	
	0	P9CHATEN0	0	H0	R/W	
PPORTP9MODSEL (P9 Port Mode Select Register)	15–8	–	0x00	–	R	–
	7–1	–	0x00	–	R	
	0	P9SEL0	0	H0	R/W	
PPORTP9FNCSEL (P9 Port Function Select Register)	15–8	–	0xff	–	R	–
	7–2	–	0x3f	–	R	
	1–0	P90MUX[1:0]	0x0	H0	R/W	

Table 7.7.10.2 P9 Port Group Function Assignment

Port name	P9SELY = 0 GPIO	P9SELY = 1							
		P9yMUX = 0x0 (Function 0)		P9yMUX = 0x1 (Function 1)		P9yMUX = 0x2 (Function 2)		P9yMUX = 0x3 (Function 3)	
		Peripheral	Pin	Peripheral	Pin	Peripheral	Pin	Peripheral	Pin
P90	P90	–	–	–	–	SVD2 Ch.1	EXSVD1 (VBUS_MON)	–	–

7.7.11 Pd Port Group

The Pd port group consists of four ports Pd0–Pd3 and two ports Pd0–Pd1 are configured as debugging function ports at initialization. These four ports support the GPIO function.

Table 7.7.11.1 Control Registers for Pd Port Group

Register name	Bit	Bit name	Initial	Reset	R/W	Remarks
PPORTPDDAT (Pd Port Data Register)	15–12	–	0x0	–	R	–
	11–8	PDOOUT[3:0]	0x0	H0	R/W	
	7–4	–	0x0	–	R	
	3–0	PDIN[3:0]	x	H0	R	
PPORTPDIOEN (Pd Port Enable Register)	15–12	–	0x0	–	R	–
	11–8	PDIEN[3:0]	0x0	H0	R/W	
	7–4	–	0x0	–	R	
	3–0	PDOEN[3:0]	0x0	H0	R/W	
PPORTPDRCTL (Pd Port Pull-up/down Control Register)	15–12	–	0x0	–	R	–
	11–8	PDPDPU[3:0]	0x0	H0	R/W	
	7–4	–	0x0	–	R	
	3–0	PDREN[3:0]	0x0	H0	R/W	
PPORTPDINTF PPORTPDINTCTL PPORTPDCHATEN	15–0	–	0x0000	–	R	–
PPORTPDMODSEL (Pd Port Mode Select Register)	15–8	–	0x00	–	R	–
	7–4	–	0x0	–	R	
	3–0	PDSEL[3:0]	0x3	H0	R/W	
PPORTPDFNCSEL (Pd Port Function Select Register)	15–8	–	0x00	–	R	–
	7–6	PD3MUX[1:0]	0x0	H0	R/W	
	5–4	PD2MUX[1:0]	0x0	H0	R/W	
	3–2	PD1MUX[1:0]	0x0	H0	R/W	
	1–0	PD0MUX[1:0]	0x0	H0	R/W	

Table 7.7.11.2 Pd Port Group Function Assignment

Port name	PdSELY = 0 GPIO	PdSELY = 1							
		PdyMUX = 0x0 (Function 0)		PdyMUX = 0x1 (Function 1)		PdyMUX = 0x2 (Function 2)		PdyMUX = 0x3 (Function 3)	
		Peripheral	Pin	Peripheral	Pin	Peripheral	Pin	Peripheral	Pin
Pd0	Pd0	CPU core	SWCLK	–	–	–	–	–	–
Pd1	Pd1	CPU core	SWD	–	–	–	–	–	–
Pd2	Pd2	–	–	–	–	CLG	OSC3	–	–
Pd3	Pd3	–	–	–	–	CLG	OSC4	–	–

7.7.12 Common Registers between Port Groups

Table 7.7.12.1 Control Registers for Common Use with Port Groups

Register name	Bit	Bit name	Initial	Reset	R/W	Remarks
PPORTCLK (P Port Clock Control Register)	15-9	-	0x00	-	R	-
	8	DBRUN	0	H0	R/WP	
	7-4	CLKDIV[3:0]	0x0	H0	R/WP	
	3-2	KRSTCFG[1:0]	0x0	H0	R/WP	
	1-0	CLKSRC[1:0]	0x0	H0	R/WP	
PPORTINTFGRP (P Port Interrupt Flag Group Register)	15-10	-	0x00	-	R	-
	9	P9INT	0	H0	R	
	8	P8INT	0	H0	R	
	7	P7INT	0	H0	R	
	6	P6INT	0	H0	R	
	5	P5INT	0	H0	R	
	4	P4INT	0	H0	R	
	3	P3INT	0	H0	R	
	2	P2INT	0	H0	R	
	1	P1INT	0	H0	R	
0	P0INT	0	H0	R		

8 Universal Port Multiplexer (UPMUX)

8.1 Overview

UPMUX is a multiplexer that allows software to assign the desired peripheral I/O function to an I/O port. The main features are outlined below.

- Allows programmable assignment of the I²C, UART, and 16-bit PWM timer peripheral I/O functions to the P0[7:0], P1[7:0], and P3[7:0] ports.
- The peripheral I/O function assigned via UPMUX is enabled by setting the PPORTx_{FNCSEL}.PxyMUX[1:0] bits to 0x1.

Note: 'x', which is used in the port names Pxy, register names, and bit names, refers to a port group (x = 0, 1, 3) and 'y' refers to a port number (y = 0, 1, 2, ..., 7).

Figure 8.1.1 shows the configuration of UPMUX.

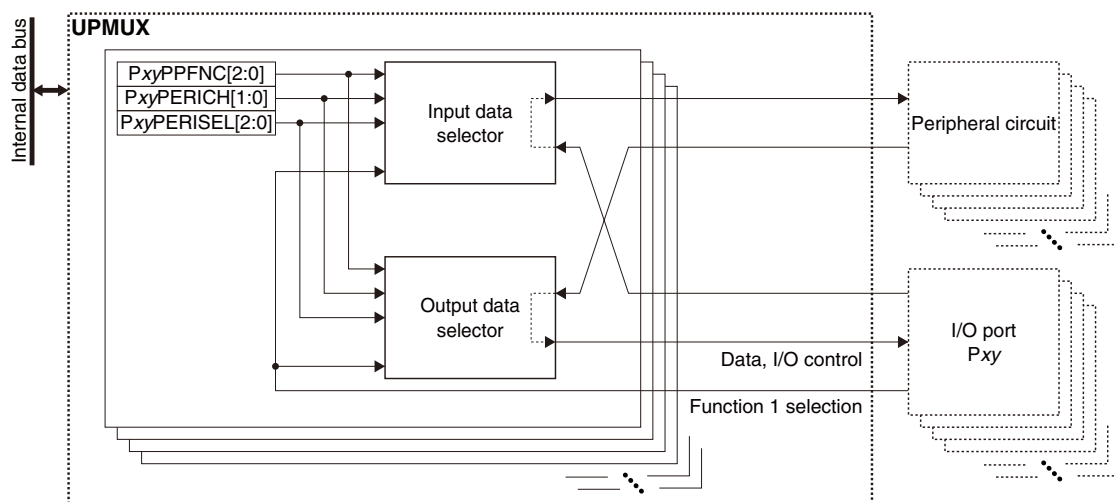


Figure 8.1.1 UPMUX Configuration

8.2 Peripheral Circuit I/O Function Assignment

An I/O function of a peripheral circuit supported may be assigned to peripheral I/O function 1 of an I/O port listed above. The following shows the procedure to assign a peripheral I/O function and enable it in the I/O port:

1. Configure the PPORTxIOEN register of the I/O port.
 - Set the PPORTxIOEN.PxIENy bit to 0. (Disable input)
 - Set the PPORTxIOEN.PxOENy bit to 0. (Disable output)
2. Set the PPORTxMODESEL.PxSELY bit of the I/O port to 0. (Disable peripheral I/O function)
3. Set the following UPMUXPxMUXn register bits (n = 0 to 3).
 - UPMUXPxMUXn.PxyPERISEL[2:0] bits (Select peripheral circuit)
 - UPMUXPxMUXn.PxyPERICH[1:0] bits (Select peripheral circuit channel)
 - UPMUXPxMUXn.PxyPPFNC[2:0] bits (Select function to assign)
4. Initialize the peripheral circuit.
5. Set the PPORTxFNCSEL.PxyMUX[1:0] bits of the I/O port to 0x1. (Select peripheral I/O function 1)
6. Set the PPORTxMODESEL.PxSELY bit of the I/O port to 1. (Enable peripheral I/O function)

8.3 Control Registers

Pxy-xz Universal Port Multiplexer Setting Register

Register name	Bit	Bit name	Initial	Reset	R/W	Remarks
UPMUXPxMUXn	15–13	PxzPPFNC[2:0]	0x0	H0	R/W	–
	12–11	PxzPERICH[1:0]	0x0	H0	R/W	
	10–8	PxzPERISEL[2:0]	0x0	H0	R/W	
	7–5	PxyPPFNC[2:0]	0x0	H0	R/W	
	4–3	PxyPERICH[1:0]	0x0	H0	R/W	
	2–0	PxyPERISEL[2:0]	0x0	H0	R/W	

*1: 'x' in the register name refers to a port group number and 'n' refers to a register number (0–3).

*2: 'x' in the bit name refers to a port group number, 'y' refers to an even port number (0, 2, 4, 6), and 'z' refers to an odd port number ($z = y + 1$).

Bits 15–13 PxzPPFNC[2:0]

Bits 7–5 PxyPPFNC[2:0]

These bits specify the peripheral I/O function to be assigned to the port. (See Table 8.3.1.)

Bits 12–11 PxzPERICH[1:0]

Bits 4–3 PxyPERICH[1:0]

These bits specify a peripheral circuit channel number. (See Table 8.3.1.)

Bits 10–8 PxzPERISEL[2:0]

Bits 2–0 PxyPERISEL[2:0]

These bits specify a peripheral circuit. (See Table 8.3.1.)

Table 8.3.1 Peripheral I/O Function Selections

UPMUXPxMUXn. PxyPPFNC[2:0] bits (Peripheral I/O function)	UPMUXPxMUXn.PxyPERISEL[2:0] bits (Peripheral circuit)								
	0x0	0x1	0x2	0x3	0x4	0x5	0x6	0x7	
	None *	I2C	Reserved	UART2	T16B	Reserved	Reserved	Reserved	
	UPMUXPxMUXn.PxyPERICH[1:0] bits (Peripheral circuit channel)								
	–	0x0–0x1	–	0x0–0x1	0x0–0x1	–	–	–	
–	Ch.0–1	–	Ch.0–1	Ch.0–1	–	–	–		
0x0	None *	None *	None *	None *	None *	None *	None *	None *	
0x1	Reserved	SCLn	Reserved	USINn	TOUTn0/ CAPn0	Reserved	Reserved	Reserved	
0x2		SDAn		USOUTn	TOUTn1/ CAPn1				
0x3		Reserved		Reserved	Reserved				Reserved
0x4									
0x5									
0x6	Reserved	Reserved	Reserved	Reserved					
0x7									

* “None” means no assignment. Selecting this will put the Pxy pin into Hi-Z status when peripheral I/O function 1 is selected and enabled in the I/O port.

Note: Do not assign a peripheral input function to two or more I/O ports. Although the I/O ports output the same waveforms when an output function is assigned to two or more I/O port, a skew occurs due to the internal delay.

9 Watchdog Timer (WDT2)

9.1 Overview

WDT2 restarts the system if a problem occurs, such as when the program cannot be executed normally.

The features of WDT2 are listed below.

- Includes a 10-bit up counter to count NMI/reset generation cycle.
- A counter clock source and clock division ratio are selectable.
- Can generate a reset or NMI in a cycle given via software.
- Can generate a reset at the next NMI generation cycle after an NMI is generated.

Figure 9.1.1 shows the configuration of WDT2.

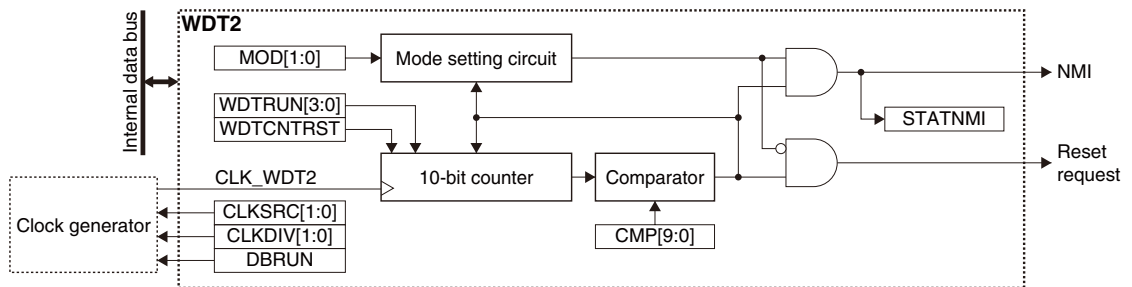


Figure 9.1.1 WDT2 Configuration

9.2 Clock Settings

9.2.1 WDT2 Operating Clock

When using WDT2, the WDT2 operating clock CLK_WDT2 must be supplied to WDT2 from the clock generator. The CLK_WDT2 supply should be controlled as in the procedure shown below.

1. Write 0x0096 to the MSCPROT.PROT[15:0] bits. (Remove system protection)
2. Enable the clock source in the clock generator if it is stopped (refer to “Clock Generator” in the “Power Supply, Reset, and Clocks” chapter).
3. Set the following WDT2CLK register bits:

WDT2CLK.CLKSRC[1:0] bits	(Clock source selection)
WDT2CLK.CLKDIV[1:0] bits	(Clock division ratio selection = Clock frequency setting)
4. Write a value other than 0x0096 to the MSCPROT.PROT[15:0] bits. (Set system protection)

9.2.2 Clock Supply in DEBUG Mode

The CLK_WDT2 supply during DEBUG mode should be controlled using the WDT2CLK.DBRUN bit.

The CLK_WDT2 supply to WDT2 is suspended when the CPU enters DEBUG mode if the WDT2CLK.DBRUN bit = 0. After the CPU returns to normal mode, the CLK_WDT2 supply resumes. Although WDT2 stops operating when the CLK_WDT2 supply is suspended, the register retains the status before DEBUG mode was entered.

If the WDT2CLK.DBRUN bit = 1, the CLK_WDT2 supply is not suspended and WDT2 will keep operating in DEBUG mode.

9.3 Operations

9.3.1 WDT2 Control

Activating WDT2

WDT2 should be initialized and started up with the procedure listed below.

1. Write 0x0096 to the MSCPROT.PROT[15:0] bits. (Remove system protection)
2. Configure the WDT2 operating clock.
3. Set the WDT2CTL.MOD[1:0] bits. (Select WDT2 operating mode)
4. Set the WDT2CMP.CMP[9:0] bits. (Set NMI/reset generation cycle)
5. Write 1 to the WDT2CTL.WDTCNTRST bit. (Reset WDT2 counter)
6. Write a value other than 0xa to the WDT2CTL.WDTRUN[3:0] bits. (Start up WDT2)
7. Write a value other than 0x0096 to the MSCPROT.PROT[15:0] bits. (Set system protection)

NMI/reset generation cycle

Use the following equation to calculate the WDT2 NMI/reset generation cycle.

$$t_{WDT} = \frac{CMP + 1}{CLK_WDT2} \quad (\text{Eq. 9.1})$$

Where

- t_{WDT} : NMI/reset generation cycle [second]
 CLK_WDT2 : WDT2 operating clock frequency [Hz]
 CMP : Setting value of the WDT2CMP.CMP[9:0] bits

Example) $t_{WDT} = 2.5$ seconds when $CLK_WDT2 = 256$ Hz and the WDT2CMP.CMP[9:0] bits = 639

Resetting WDT2 counter

To prevent an unexpected NMI/reset to be generated by WDT2, its embedded counter must be reset periodically via software while WDT2 is running.

1. Write 0x0096 to the MSCPROT.PROT[15:0] bits. (Remove system protection)
2. Write 1 to the WDT2CTL.WDTCNTRST bit. (Reset WDT2 counter)
3. Write a value other than 0x0096 to the MSCPROT.PROT[15:0] bits. (Set system protection)

A location should be provided for periodically processing this routine. Process this routine within the t_{WDT} cycle. After resetting, WDT2 starts counting with a new NMI/reset generation cycle.

Occurrence of counter compare match

If WDT2 is not reset within the t_{WDT} cycle for any reason and the counter reaches the setting value of the WDT2CMP.CMP[9:0] bits, a compare match occurs to cause WDT2 to issue an NMI or reset according to the setting of the WDT2CTL.MOD[1:0] bits.

If an NMI is issued, the WDT2CTL.STATNMI bit is set to 1. This bit can be cleared to 0 by writing 1 to the WDT2CTL.WDTCNTRST bit. Be sure to clear the WDT2CTL.STATNMI bit in the NMI handler routine,

If a compare match occurs, the counter is automatically reset to 0 and it continues counting.

Deactivating WDT2

WDT2 should be stopped with the procedure listed below.

1. Write 0x0096 to the MSCPROT.PROT[15:0] bits. (Remove system protection)
2. Write 0xa to the WDT2CTL.WDTRUN[3:0] bits. (Stop WDT2)
3. Write a value other than 0x0096 to the MSCPROT.PROT[15:0] bits. (Set system protection)

9.3.2 Operations in HALT and SLEEP Modes

During HALT mode

WDT2 operates in HALT mode. HALT mode is therefore cleared by an NMI or reset if it continues for more than the NMI/reset generation cycle and the CPU executes the interrupt handler. To disable WDT2 in HALT mode, stop WDT2 by writing 0xa to the WDT2CTL.WDTRUN[3:0] bits before executing the halt instruction. Reset WDT2 before resuming operations after HALT mode is cleared.

During SLEEP mode

WDT2 operates in SLEEP mode if the selected clock source is running. SLEEP mode is cleared by an NMI or reset if it continues for more than the NMI/reset generation cycle and the CPU executes the interrupt handler. Therefore, stop WDT2 by setting the WDT2CTL.WDTRUN[3:0] bits before executing the slp instruction.

If the clock source stops in SLEEP mode, WDT2 stops. To prevent generation of an unnecessary NMI or reset after clearing SLEEP mode, reset WDT2 before executing the slp instruction. WDT2 should also be stopped as required using the WDT2CTL.WDTRUN[3:0] bits.

9.4 Control Registers

WDT2 Clock Control Register

Register name	Bit	Bit name	Initial	Reset	R/W	Remarks
WDT2CLK	15–9	–	0x00	–	R	–
	8	DBRUN	0	H0	R/WP	
	7–6	–	0x0	–	R	
	5–4	CLKDIV[1:0]	0x0	H0	R/WP	
	3–2	–	0x0	–	R	
	1–0	CLKSRC[1:0]	0x0	H0	R/WP	

Bits 15–9 Reserved

Bit 8 DBRUN

This bit sets whether the WDT2 operating clock is supplied in DEBUG mode or not.

1 (R/WP): Clock supplied in DEBUG mode

0 (R/WP): No clock supplied in DEBUG mode

Bits 7–6 Reserved

Bits 5–4 CLKDIV[1:0]

These bits select the division ratio of the WDT2 operating clock (counter clock). The clock frequency should be set to around 256 Hz.

Bits 3–2 Reserved

Bits 1–0 CLKSRC[1:0]

These bits select the clock source of WDT2.

Table 9.4.1 Clock Source and Division Ratio Settings

WDT2CLK. CLKDIV[1:0] bits	WDT2CLK.CLKSRC[1:0] bits			
	0x0	0x1	0x2	0x3
	IOSC	OSC1	OSC3	EXOSC
0x3	1/65,536	1/128	1/65,536	1/1
0x2	1/32,768		1/32,768	
0x1	1/16,384		1/16,384	
0x0	1/8,192		1/8,192	

(Note) The oscillation circuits/external input that are not supported in this IC cannot be selected as the clock source.

WDT2 Control Register

Register name	Bit	Bit name	Initial	Reset	R/W	Remarks
WDT2CTL	15–11	–	0x00	–	R	–
	10–9	MOD[1:0]	0x0	H0	R/WP	
	8	STATNMI	0	H0	R	
	7–5	–	0x0	–	R	
	4	WDTCNTRST	0	H0	WP	Always read as 0.
	3–0	WDTRUN[3:0]	0xa	H0	R/WP	–

Bits 15–11 Reserved

Bits 10–9 MOD[1:0]

These bits set the WDT2 operating mode.

Table 9.4.2 Operating Mode Setting

WDT2CTL. MOD[1:0] bits	Operating mode	Description
0x3	Reserved	–
0x2	RESET after NMI mode	If the WDT2CTL.STATNMI bit is not cleared to 0 after an NMI has occurred due to a counter compare match, WDT2 issues a reset when the next compare match occurs.
0x1	NMI mode	WDT2 issues an NMI when a counter compare match occurs.
0x0	RESET mode	WDT2 issues a reset when a counter compare match occurs.

Bit 8 STATNMI

This bit indicates that a counter compare match and NMI have occurred.

1 (R): NMI (counter compare match) occurred

0 (R): NMI not occurred

When the NMI generation function of WDT2 is used, read this bit in the NMI handler routine to confirm that WDT2 was the source of the NMI.

The WDT2CTL.STATNMI bit set to 1 is cleared to 0 by writing 1 to the WDT2CTL.WDTCNTRST bit.

Bits 7–5 Reserved

Bit 4 WDTCNTRST

This bit resets the 10-bit counter and the WDT2CTL.STATNMI bit.

1 (WP): Reset

0 (WP): Ignored

0 (R): Always 0 when being read

Bits 3–0 WDTRUN[3:0]

These bits control WDT2 to run and stop.

0xa (R/WP): Stop

Values other than 0xa (R/WP): Run

Always 0x0 is read if a value other than 0xa is written.

Since an NMI or reset may be generated immediately after running depending on the counter value, WDT2 should also be reset concurrently when running WDT2.

WDT2 Counter Compare Match Register

Register name	Bit	Bit name	Initial	Reset	R/W	Remarks
WDT2CMP	15–10	–	0x00	–	R	–
	9–0	CMP[9:0]	0x3ff	H0	R/WP	

Bits 15–10 Reserved

Bits 9–0 CMP[9:0]

These bits set the NMI/reset generation cycle.

The value set in this register is compared with the 10-bit counter value while WDT2 is running, and an NMI or reset is generated when they are matched.

10 Real-Time Clock (RTCA)

10.1 Overview

RTCA is a real-time clock with a perpetual calendar function. The main features of RTCA are outlined below.

- Includes a BCD real-time clock counter to implement a time-of-day clock (second, minute, and hour) and calendar (day, day of the week, month, and year with leap year supported).
- Provides a hold function for reading correct counter values by suspending the real-time clock counter operation.
- 24-hour or 12-hour mode is selectable.
- Capable of controlling the starting and stopping of the time-of-day clock.
- Provides a 30-second correction function to adjust time using a time signal.
- Includes a 1 Hz counter to count 128 to 1 Hz.
- Includes a BCD stopwatch counter with 1/100-second counting supported.
- Provides a theoretical regulation function to correct clock error due to frequency tolerance with no external parts required.

Figure 10.1.1 shows the configuration of RTCA.

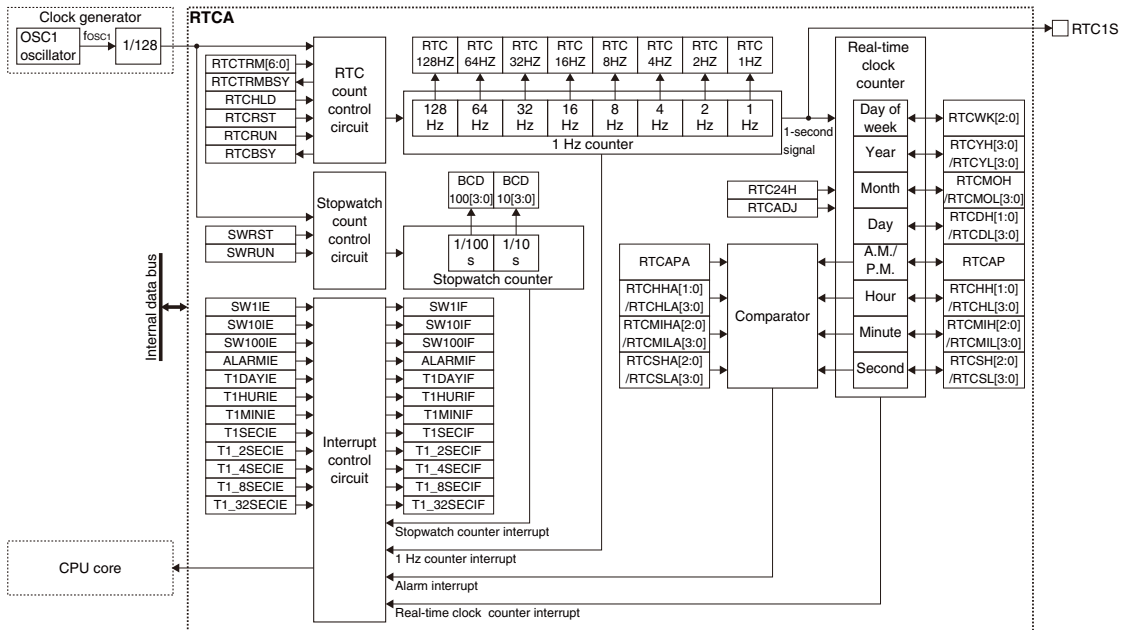


Figure 10.1.1 RTCA Configuration

10.2 Output Pin and External Connection

10.2.1 Output Pin

Table 10.2.1.1 shows the RTCA pin.

Table 10.2.1.1 RTCA Pin

Pin name	I/O*	Initial status*	Function
RTC1S	O	O (L)	1-second signal monitor output pin

* Indicates the status when the pin is configured for RTCA.

If the port is shared with the RTCA output function and other functions, the RTCA function must be assigned to the port. For more information, refer to the “I/O Ports” chapter.

10.3 Clock Settings

10.3.1 RTCA Operating Clock

RTCA uses CLK_RTCA, which is generated by the clock generator from OSC1 as the clock source, as its operating clock. RTCA is operable when OSC1 is enabled.

To continue the RTCA operation during SLEEP mode with OSC1 being activated, the CLGOSC.OSC1SLPC bit must be set to 0.

10.3.2 Theoretical Regulation Function

The time-of-day clock loses accuracy if the OSC1 frequency f_{osc1} has a frequency tolerance from 32.768 kHz. To correct this error without changing any external part, RTCA provides a theoretical regulation function. Follow the procedure below to perform theoretical regulation.

1. Measure the frequency tolerance “m [ppm]” of f_{osc1} .
2. Determine the theoretical regulation execution cycle time “n seconds.”
3. Determine the value to be written to the RTCACTLH.RTCTRM[6:0] bits from the results in Steps 1 and 2.
4. Write the value determined in Step 3 to the RTCACTLH.RTCTRM[6:0] bits periodically in n-second cycles using an RTCA alarm or second interrupt.
5. Monitor the RTC1S signal to check that every n-second cycle has no error included.

The correction value for theoretical regulation can be specified within the range from -64 to +63 and it should be written to the RTCACTLH.RTCTRM[6:0] bits as a two’s-complement number. Use Eq. 10.1 to calculate the correction value.

$$RTCTRM[6:0] = \frac{m}{10^6} \times 256 \times n \quad (\text{However, RTCTRM[6:0] is an integer after rounding off to -64 to +63.}) \quad (\text{Eq. 10.1})$$

Where

- n: Theoretical regulation execution cycle time [second] (time interval to write the correct value to the RTCACTLH.RTCTRM[6:0] bits periodically via software)
- m: OSC1 frequency tolerance [ppm]

Figure 10.3.2.1 shows the RTC1S signal waveform.

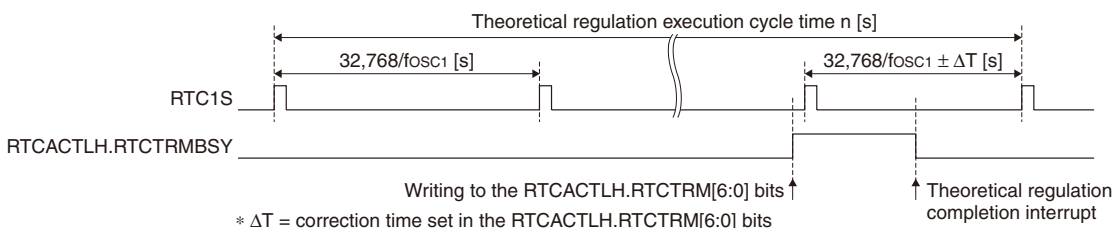


Figure 10.3.2.1 RTC1S Signal Waveform

Table 10.3.2.1 lists the frequency tolerance correction rates when the theoretical regulation execution cycle time n is 4,096 seconds as an example.

Table 10.3.2.1 Correction Rates when Theoretical Regulation Execution Cycle Time n = 4,096 Seconds

RTCACTLH.RTCTRM[6:0] bits (two's-complement)	Correction value (decimal)	Correction rate [ppm]	RTCACTLH.RTCTRM[6:0] bits (two's-complement)	Correction value (decimal)	Correction rate [ppm]
0x00	0	0.0	0x40	-64	-61.0
0x01	1	1.0	0x41	-63	-60.1
0x02	2	1.9	0x42	-62	-59.1
0x03	3	2.9	0x43	-61	-58.2
...
0x3e	62	59.1	0x7e	-2	-1.9
0x3f	63	60.1	0x7f	-1	-1.0

Minimum resolution: 1 ppm, Correction rate range: -61.0 to 60.1 ppm

- Notes:**
- The theoretical regulation affects only the real-time clock counter and 1 Hz counter. It does not affect the stopwatch counter.
 - After a value is written to the RTCACTLH.RTCTRM[6:0] bits, the theoretical regulation correction takes effect on the 1 Hz counter value at the same timing as when the 1 Hz counter changes to 0x7f. Also an interrupt occurs depending on the counter value at this time.

10.4 Operations

10.4.1 RTCA Control

Follow the sequences shown below to set time to RTCA, to read the current time and to set alarm.

Time setting

1. Set RTCA to 12H or 24H mode using the RTCACTL.RTC24H bit.
2. Write 1 to the RTCACTL.RTCRUN bit to enable for the real-time clock counter to start counting up.
3. Check to see if the RTCACTL.RTCBSY bit = 0 that indicates the counter is ready to rewrite. If the RTCACTL.RTCBSY bit = 1, wait until it is set to 0.
4. Write the current date and time in BCD code to the control bits listed below.
 - RTCASEC.RTCSH[2:0]/RTCSL[3:0] bits (second)
 - RTCAHUR.RTCMIH[2:0]/RTCMIL[3:0] bits (minute)
 - RTCAHUR.RTCHH[1:0]/RTCHL[3:0] bits (hour)
 - RTCAHUR.RTCAP bit (AM/PM) (effective when RTCACTL.RTC24H bit = 0)
 - RTCAMON.RTCDH[1:0]/RTCDL[3:0] bits (day)
 - RTCAMON.RTCMOH/RTCMOL[3:0] bits (month)
 - RTCAYAR.RTCYH[3:0]/RTCYL[3:0] bits (year)
 - RTCAYAR.RTCWK[2:0] bits (day of the week)
5. Write 1 to the RTCACTL.RTCADJ bit (execute 30-second correction) using a time signal to adjust the time. (For more information on the 30-second correction, refer to “Real-Time Clock Counter Operations.”)
6. Write 1 to the real-time clock counter interrupt flags in the RTCAINTF register to clear them.
7. Write 1 to the interrupt enable bits in the RTCAINTE register to enable real-time clock counter interrupts.

Time read

1. Check to see if the RTCACTL.RTCBSY bit = 0. If the RTCACTL.RTCBSY bit = 1, wait until it is set to 0.
2. Write 1 to the RTCACTL.RTCHLD bit to suspend count-up operation of the real-time clock counter.
3. Read the date and time from the control bits listed in “Time setting, Step 4” above.
4. Write 0 to the RTCACTL.RTCHLD bit to resume count-up operation of the real-time clock counter. If a second count-up timing has occurred in the count hold state, the hardware corrects the second counter for +1 second (for more information on the +1 second correction, refer to “Real-Time Clock Counter Operations”).

Alarm setting

1. Write 0 to the RTCAINTE.ALARMIE bit to 0 to disable alarm interrupts.
2. Write the alarm time in BCD code to the control bits listed below (a time within 24 hours from the current time can be specified).
 - RTCAALM1.RTCSHA[2:0]/RTCSLA[3:0] bits (second)
 - RTCAALM2.RTCMIHA[2:0]/RTCMILA[3:0] bits (minute)
 - RTCAALM2.RTCHHA[1:0]/RTCHLA[3:0] bits (hour)
 - RTCAALM2.RTCAPA bit (AM/PM) (effective when RTCACTL.RTC24H bit = 0)
3. Write 1 to the RTCAINTF.ALARMIF bit to clear the alarm interrupt flag.
4. Write 1 to the RTCAINTE.ALARMIE bit to enable alarm interrupts.

When the real-time clock counter reaches the alarm time set in Step 2, an alarm interrupt occurs.

10.4.2 Real-Time Clock Counter Operations

The real-time clock counter consists of second, minute, hour, AM/PM, day, month, year, and day of the week counters and it performs counting up using the RTC1S signal. It has the following functions as well.

Recognizing leap years

The leap year recognizing algorithm used in RTCA is effective only for Christian Era years. Years within 0 to 99 that can be divided by four without a remainder are recognized as leap years. If the year counter = 0x00, RTCA assumes it as a common year. If a leap year is recognized, the count range of the day counter changes when the month counter is set to February.

Corrective operation when a value out of the effective range is set

When a value out of the effective range is set to the year, day of the week, or hour (in 24H mode) counter, the counter will be cleared to 0 at the next count-up timing. When a such value is set to the month, day, or hour (in 12H mode) counter, the counter will be set to 1 at the next count-up timing.

30-second correction

This function is provided to set the time-of-day clock by the time signal. Writing 1 to the RTCACTLL.RTCADJ bit adds 1 to the minute counter if the second counter represents 30 to 59 seconds, or clears the second counter with the minute counter left unchanged if the second counter represents 0 to 29 seconds.

+1 second correction

If a second count-up timing occurred while the RTCACTLL.RTCHLD bit = 1 (count hold state), the real-time clock counter counts up by +1 second (performs +1 second correction) after the counting has resumed by writing 0 to the RTCACTLL.RTCHLD bit.

Note: If two or more second count-up timings occurred while the RTCACTLL.RTCHLD bit = 1, the counter is always corrected for +1 second only.

10.4.3 Stopwatch Control

Follow the sequences shown below to start counting of the stopwatch and to read the counter.

Count start

1. Write 1 to the RTCASWCTL.SWRST bit to reset the stopwatch counter.
2. Write 1 to the stopwatch interrupt flags in the RTCAINTF register to clear them.
3. Write 1 to the interrupt enable bits in the RTCAINTE register to enable stopwatch interrupts.
4. Write 1 to the RTCASWCTL.SWRUN bit to start stopwatch count up operation.

Counter read

1. Read the count value from the RTCASWCTL.BCD10[3:0] and BCD100[3:0] bits.
2. Read again.
 - i. If the two read values are the same, assume that the count values are read correctly.
 - ii. If different values are read, perform reading once more and compare the read value with the previous one.

10.4.4 Stopwatch Count-up Pattern

The stopwatch consists of 1/100-second and 1/10-second counters and these counters perform counting up in increments of approximate 1/100 and 1/10 seconds with the count-up patterns shown in Figure 10.4.4.1.

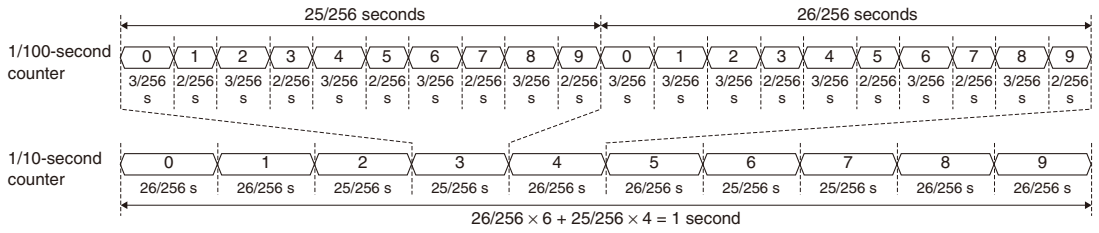


Figure 10.4.4.1 Stopwatch Count-Up Patterns

10.5 Interrupts

RTCA has a function to generate the interrupts shown in Table 10.5.1.

Table 10.5.1 RTCA Interrupt Function

Interrupt	Interrupt flag	Set condition	Clear condition
Alarm	RTCAINTF.ALARMIF	Matching between the RTCAALM1–2 register contents and the real-time clock counter contents	Writing 1
1-day	RTCAINTF.T1DAYIF	Day counter count up	Writing 1
1-hour	RTCAINTF.T1HURIF	Hour counter count up	Writing 1
1-minute	RTCAINTF.T1MINIF	Minute counter count up	Writing 1
1-second	RTCAINTF.T1SECIF	Second counter count up	Writing 1
1/2-second	RTCAINTF.T1_2SECIF	See Figure 10.5.1.	Writing 1
1/4-second	RTCAINTF.T1_4SECIF	See Figure 10.5.1.	Writing 1
1/8-second	RTCAINTF.T1_8SECIF	See Figure 10.5.1.	Writing 1
1/32-second	RTCAINTF.T1_32SECIF	See Figure 10.5.1.	Writing 1
Stopwatch 1 Hz	RTCAINTF.SW1IF	1/10-second counter overflow	Writing 1
Stopwatch 10 Hz	RTCAINTF.SW10IF	1/10-second counter count up	Writing 1
Stopwatch 100 Hz	RTCAINTF.SW100IF	1/100-second counter count up	Writing 1
Theoretical regulation completion	RTCAINTF.RTCTRMIF	At the end of theoretical regulation operation	Writing 1

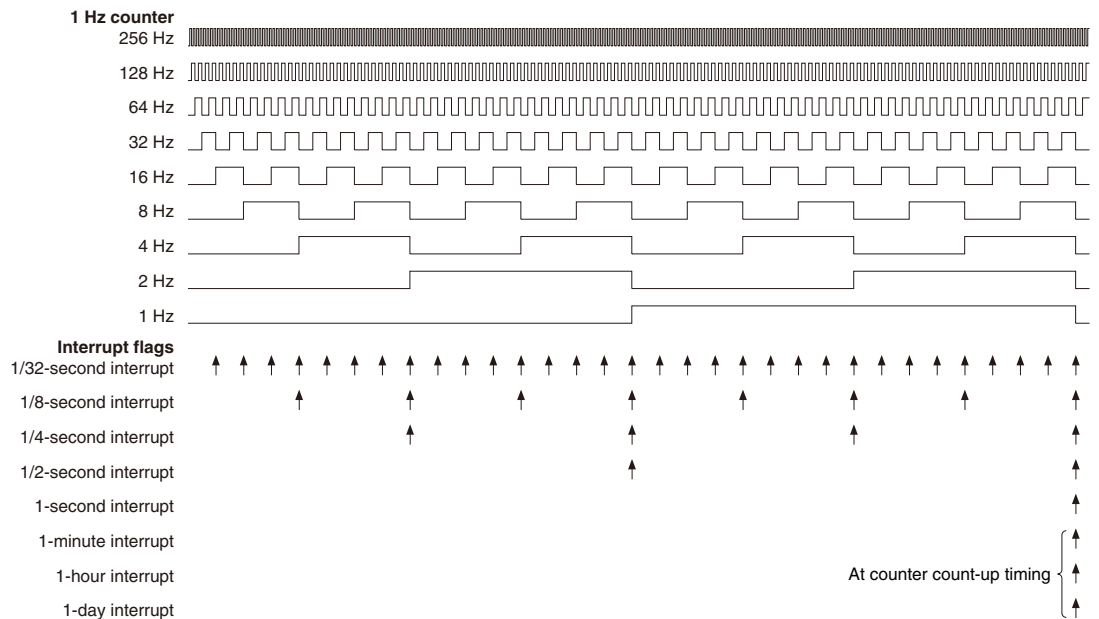


Figure 10.5.1 RTCA Interrupt Timings

- Notes:**
- 1-second to 1/32-second interrupts occur after a lapse of 1/256 second from change of the 1 Hz counter value.
 - An alarm interrupt occurs after a lapse of 1/256 second from matching between the AM/PM (in 12H mode), hour, minute, and second counter value and the alarm setting value.

10 REAL-TIME CLOCK (RTCA)

RTCA provides interrupt enable bits corresponding to each interrupt flag. An interrupt request is sent to the CPU core only when the interrupt flag, of which interrupt has been enabled by the interrupt enable bit, is set. For more information on interrupt control, refer to the “Interrupt” chapter.

10.6 Control Registers

RTCA Control Register (Low Byte)

Register name	Bit	Bit name	Initial	Reset	R/W	Remarks
RTCACTLL	7	–	0	–	R	–
	6	RTCBSY	0	H0	R	–
	5	RTCHLD	0	H0	R/W	Cleared by setting the RTCACTLL.RTCRST bit to 1.
	4	RTC24H	0	H0	R/W	–
	3	–	0	–	R	–
	2	RTCADJ	0	H0	R/W	Cleared by setting the RTCACTLL.RTCRST bit to 1.
	1	RTCST	0	H0	R/W	–
	0	RTCUN	0	H0	R/W	–

Bit 7 **Reserved**

Bit 6 **RTCBSY**

This bit indicates whether the counter is performing count-up operation or not.

1 (R): In count-up operation

0 (R): Idle (ready to rewrite real-time clock counter)

This bit goes 1 when performing 1-second count-up, +1 second correction, or 30-second correction. It retains 1 for 1/256 second and then reverts to 0.

Bit 5 **RTCHLD**

This bit halts the count-up operation of the real-time clock counter.

1 (R/W): Halt real-time clock counter count-up operation

0 (R/W): Normal operation

Writing 1 to this bit halts the count-up operation of the real-time clock counter, this makes it possible to read the counter value correctly without changing the counter. Write 0 to this bit to resume count-up operation immediately after the counter has been read. Depending on these operation timings, the +1 second correction may be executed after the count-up operation resumes. For more information on the +1 second correction, refer to “Real-Time Clock Counter Operations.”

Note: When the RTCACTLL.RTCRST bit = 1, the RTCACTLL.RTCHLD bit cannot be rewritten to 1 (as fixed at 0).

Bit 4 **RTC24H**

This bit sets the hour counter to 24H mode or 12H mode.

1 (R/W): 24H mode

0 (R/W): 12H mode

This selection changes the count range of the hour counter. Note, however, that the counter value is not updated automatically, therefore, it must be programmed again.

Note: Be sure to avoid writing to this bit when the RTCACTLL.RTCRUN bit = 1.

Bit 3 **Reserved**

Bit 2 **RTCADJ**

This bit executes the 30-second correction time adjustment function.

1 (W): Execute 30-second correction

0 (W): Ineffective

1 (R): 30-second correction is executing.

0 (R): 30-second correction has finished. (Normal operation)

Writing 1 to this bit executes 30-second correction and an enabled interrupt occurs even if the RTCACTLL.RTCRUN bit = 0. The correction takes up to 2/256 seconds. The RTCACTLL.RTCADJ bit is automatically cleared to 0 when the correction has finished. For more information on the 30-second correction, refer to “Real-Time Clock Counter Operations.”

- Notes:**
- Be sure to avoid writing to this bit when the RTCACTLL.RTCBSY bit = 1.
 - Do not write 1 to this bit again while the RTCACTLL.RTCADJ bit = 1.

Bit 1 RTCRST

This bit resets the 1 Hz counter, the RTCACTLL.RTCADJ bit, and the RTCACTLL.RTCHLD bit.

- 1 (W): Reset
 0 (W): Ineffective
 1 (R): Reset is being executed.
 0 (R): Reset has finished. (Normal operation)

This bit is automatically cleared to 0 after reset has finished.

Bit 0 RTCRUN

This bit starts/stops the real-time clock counter.

- 1 (R/W): Running/start control
 0 (R/W): Idle/stop control

When the real-time clock counter stops counting by writing 0 to this bit, the counter retains the value when it stopped. Writing 1 to this bit again resumes counting from the value retained.

RTCA Control Register (High Byte)

Register name	Bit	Bit name	Initial	Reset	R/W	Remarks
RTCACTLH	7	RTCTRMBSY	0	H0	R	–
	6–0	RTCTRM[6:0]	0x00	H0	W	Read as 0x00.

Bit 7 RTCTRMBSY

This bit indicates whether the theoretical regulation is currently executed or not.

- 1 (R): Theoretical regulation is executing.
 0 (R): Theoretical regulation has finished (or not executed).

This bit goes 1 when a value is written to the RTCACTLH.RTCTRM[6:0] bits. The theoretical regulation takes up to 1 second for execution. This bit reverts to 0 automatically after the theoretical regulation has finished execution.

Bits 6–0 RTCTRM[6:0]

Write the correction value for adjusting the 1 Hz frequency to these bits to execute theoretical regulation. For a calculation method of correction value, refer to “Theoretical Regulation Function.”

- Notes:**
- When the RTCACTLH.RTCTRMBSY bit = 1, the RTCACTLH.RTCTRM[6:0] bits cannot be rewritten.
 - Writing 0x00 to the RTCACTLH.RTCTRM[6:0] bits sets the RTCACTLH.RTCTRMBSY bit to 1 as well. However, no correcting operation is performed.

RTCA Second Alarm Register

Register name	Bit	Bit name	Initial	Reset	R/W	Remarks
RTCAALM1	15	–	0	–	R	–
	14–12	RTCSHA[2:0]	0x0	H0	R/W	
	11–8	RTCSLA[3:0]	0x0	H0	R/W	
	7–0	–	0x00	–	R	

Bit 15 Reserved

10 REAL-TIME CLOCK (RTCA)

Bits 14–12 RTCSHA[2:0]

Bits 11–8 RTCSLA[3:0]

The RTCAALM1.RTCSHA[2:0] bits and the RTCAALM1.RTCSLA[3:0] bits set the 10-second digit and 1-second digit of the alarm time, respectively. A value within 0 to 59 seconds can be set in BCD code as shown in Table 10.6.1.

Table 10.6.1 Setting Examples in BCD Code

Setting value in BCD code		Alarm (second) setting
RTCAALM1.RTCSHA[2:0] bits	RTCAALM1.RTCSLA[3:0] bits	
0x0	0x0	00 seconds
0x0	0x1	01 second
...
0x0	0x9	09 seconds
0x1	0x0	10 seconds
...
0x5	0x9	59 seconds

Bits 7–0 Reserved

RTCA Hour/Minute Alarm Register

Register name	Bit	Bit name	Initial	Reset	R/W	Remarks
RTCAALM2	15	–	0	–	R	–
	14	RTCAPA	0	H0	R/W	
	13–12	RTCHHA[1:0]	0x0	H0	R/W	
	11–8	RTCHLA[3:0]	0x0	H0	R/W	
	7	–	0	–	R	
	6–4	RTCMIHA[2:0]	0x0	H0	R/W	
	3–0	RTCMILA[3:0]	0x0	H0	R/W	

Bit 15 Reserved

Bit 14 RTCAPA

This bit sets A.M. or P.M. of the alarm time in 12H mode (RTCACTLL.RTC24H bit = 0).

1 (R/W): P.M.

0 (R/W): A.M.

This setting is ineffective in 24H mode (RTCACTLL.RTC24H bit = 1).

Bits 13–12 RTCHHA[1:0]

Bits 11–8 RTCHLA[3:0]

The RTCAALM2.RTCHHA[1:0] bits and the RTCAALM2.RTCHLA[3:0] bits set the 10-hour digit and 1-hour digit of the alarm time, respectively. A value within 1 to 12 o'clock in 12H mode or 0 to 23 in 24H mode can be set in BCD code.

Bit 7 Reserved

Bits 6–4 RTCMIHA[2:0]

Bits 3–0 RTCMILA[3:0]

The RTCAALM2.RTCMIHA[2:0] bits and the RTCAALM2.RTCMILA[3:0] bits set the 10-minute digit and 1-minute digit of the alarm time, respectively. A value within 0 to 59 minutes can be set in BCD code.

RTCA Stopwatch Control Register

Register name	Bit	Bit name	Initial	Reset	R/W	Remarks
RTCASWCTL	15–12	BCD10[3:0]	0x0	H0	R	–
	11–8	BCD100[3:0]	0x0	H0	R	
	7–5	–	0x0	–	R	
	4	SWRST	0	H0	W	Read as 0.
	3–1	–	0x0	–	R	–
	0	SWRUN	0	H0	R/W	

Bits 15–12 BCD10[3:0]**Bits 11–8 BCD100[3:0]**

The 1/10-second and 1/100-second digits of the stopwatch counter can be read as a BCD code from the RTCASWCTL.BCD10[3:0] bits and the RTCASWCTL.BCD100[3:0] bits, respectively.

Note: The counter value may not be read correctly while the stopwatch counter is running. The RTCASWCTL.BCD10[3:0]/BCD100[3:0] bits must be read twice and assume the counter value was read successfully if the two read results are the same.

Bits 7–5 Reserved**Bit 4 SWRST**

This bit resets the stopwatch counter to 0x00.

1 (W): Reset

0 (W): Ineffective

0 (R): Always 0 when being read

When the stopwatch counter in running status is reset, it continues counting from count 0x00. The stopwatch counter retains 0x00 if it is reset in idle status.

Bits 3–1 Reserved**Bit 0 SWRUN**

This bit starts/stops the stopwatch counter.

1 (R/W): Running/start control

0 (R/W): Idle/stop control

When the stopwatch counter stops counting by writing 0 to this bit, the counter retains the value when it stopped. Writing 1 to this bit again resumes counting from the value retained.

Note: The stopwatch counter stops in sync with the stopwatch clock after 0 is written to the RTCASWCTL.SWRUN bit. Therefore, the counter value may be incremented (+1) from the value at writing 0.

RTCA Second/1Hz Register

Register name	Bit	Bit name	Initial	Reset	R/W	Remarks
RTCASEC	15	–	0	–	R	–
	14–12	RTCSH[2:0]	0x0	H0	R/W	
	11–8	RTCSL[3:0]	0x0	H0	R/W	
	7	RTC1HZ	0	H0	R	Cleared by setting the RTCACTLL.RTCRST bit to 1.
	6	RTC2HZ	0	H0	R	
	5	RTC4HZ	0	H0	R	
	4	RTC8HZ	0	H0	R	
	3	RTC16HZ	0	H0	R	
	2	RTC32HZ	0	H0	R	
	1	RTC64HZ	0	H0	R	
0	RTC128HZ	0	H0	R		

Bit 15 Reserved**Bits 14–12 RTCSH[2:0]****Bits 11–8 RTCSL[3:0]**

The RTCASEC.RTCSH[2:0] bits and the RTCASEC.RTCSL[3:0] bits are used to set and read the 10-second digit and the 1-second digit of the second counter, respectively. The setting/read values are a BCD code within the range from 0 to 59.

Note: Be sure to avoid writing to the RTCASEC.RTCSH[2:0]/RTCSL[3:0] bits while the RTCACTLL.RTCBSY bit = 1.

10 REAL-TIME CLOCK (RTCA)

Bit 7	RTC1HZ
Bit 6	RTC2HZ
Bit 5	RTC4HZ
Bit 4	RTC8HZ
Bit 3	RTC16HZ
Bit 2	RTC32HZ
Bit 1	RTC64HZ
Bit 0	RTC128HZ

1 Hz counter data can be read from these bits.

The following shows the correspondence between the bit and frequency:

RTCASEC.RTC1HZ bit:	1 Hz
RTCASEC.RTC2HZ bit:	2 Hz
RTCASEC.RTC4HZ bit:	4 Hz
RTCASEC.RTC8HZ bit:	8 Hz
RTCASEC.RTC16HZ bit:	16 Hz
RTCASEC.RTC32HZ bit:	32 Hz
RTCASEC.RTC64HZ bit:	64 Hz
RTCASEC.RTC128HZ bit:	128 Hz

Note: The counter value may not be read correctly while the 1 Hz counter is running. These bits must be read twice and assume the counter value was read successfully if the two read results are the same.

RTCA Hour/Minute Register

Register name	Bit	Bit name	Initial	Reset	R/W	Remarks
RTCAHUR	15	–	0	–	R	–
	14	RTCAP	0	H0	R/W	
	13–12	RTCHH[1:0]	0x1	H0	R/W	
	11–8	RTCHL[3:0]	0x2	H0	R/W	
	7	–	0	–	R	
	6–4	RTCMIH[2:0]	0x0	H0	R/W	
	3–0	RTCMIL[3:0]	0x0	H0	R/W	

Bit 15 **Reserved**

Bit 14 **RTCAP**

This bit is used to set and read A.M. or P.M. data in 12H mode (RTCACTLL.RTC24H bit = 0).

1 (R/W): P.M.

0 (R/W): A.M.

In 24H mode (RTCACTLL.RTC24H bit = 1), this bit is fixed at 0 and writing 1 is ignored. However, if the RTCAHUR.RTCAP bit = 1 when changed to 24H mode, it goes 0 at the next count-up timing of the hour counter.

Bits 13–12 **RTCHH[1:0]**

Bits 11–8 **RTCHL[3:0]**

The RTCAHUR.RTCHH[1:0] bits and the RTCAHUR.RTCHL[3:0] bits are used to set and read the 10-hour digit and the 1-hour digit of the hour counter, respectively. The setting/read values are a BCD code within the range from 1 to 12 in 12H mode or 0 to 23 in 24H mode.

Note: Be sure to avoid writing to the RTCAHUR.RTCHH[1:0]/RTCHL[3:0] bits while the RTCACTLL.RTCBSY bit = 1.

Bit 7 **Reserved**

Bits 6–4 RTCMIH[2:0]**Bits 3–0 RTCMIL[3:0]**

The RTCAHUR.RTCMIH[2:0] bits and the RTCAHUR.RTCMIL[3:0] bits are used to set and read the 10-minute digit and the 1-minute digit of the minute counter, respectively. The setting/read values are a BCD code within the range from 0 to 59.

Note: Be sure to avoid writing to the RTCAHUR.RTCMIH[2:0]/RTCMIL[3:0] bits while the RTCACTLL.RTCBSY bit = 1.

RTCA Month/Day Register

Register name	Bit	Bit name	Initial	Reset	R/W	Remarks
RTCAMON	15–13	–	0x0	–	R	–
	12	RTCMOH	0	H0	R/W	
	11–8	RTCMOL[3:0]	0x1	H0	R/W	
	7–6	–	0x0	–	R	
	5–4	RTCDH[1:0]	0x0	H0	R/W	
	3–0	RTCDL[3:0]	0x1	H0	R/W	

Bits 15–13 Reserved**Bit 12 RTCMOH****Bits 11–8 RTCMOL[3:0]**

The RTCAMON.RTCMOH bit and the RTCAMON.RTCMOL[3:0] bits are used to set and read the 10-month digit and the 1-month digit of the month counter, respectively. The setting/read values are a BCD code within the range from 1 to 12.

Note: Be sure to avoid writing to the RTCAMON.RTCMOH/RTCMOL[3:0] bits while the RTCACTLL.RTCBSY bit = 1.

Bits 7–6 Reserved**Bits 5–4 RTCDH[1:0]****Bits 3–0 RTCDL[3:0]**

The RTCAMON.RTCDH[1:0] bits and the RTCAMON.RTCDL[3:0] bits are used to set and read the 10-day digit and the 1-day digit of the day counter, respectively. The setting/read values are a BCD code within the range from 1 to 31 (to 28 for February in a common year, to 29 for February in a leap year, or to 30 for April/June/September/November).

Note: Be sure to avoid writing to the RTCAMON.RTCDH[1:0]/RTCDL[3:0] bits while the RTCACTLL.RTCBSY bit = 1.

RTCA Year/Week Register

Register name	Bit	Bit name	Initial	Reset	R/W	Remarks
RTCAYAR	15–11	–	0x00	–	R	–
	10–8	RTCWK[2:0]	0x0	H0	R/W	
	7–4	RTCYH[3:0]	0x0	H0	R/W	
	3–0	RTCYL[3:0]	0x0	H0	R/W	

Bits 15–11 Reserved**Bits 10–8 RTCWK[2:0]**

These bits are used to set and read day of the week.

The day of the week counter is a base-7 counter and the setting/read values are 0x0 to 0x6. Table 10.6.2 lists the correspondence between the count value and day of the week.

10 REAL-TIME CLOCK (RTCA)

Table 10.6.2 Correspondence between the count value and day of the week

RTCAYAR.RTCWK[2:0] bits	Day of the week
0x6	Saturday
0x5	Friday
0x4	Thursday
0x3	Wednesday
0x2	Tuesday
0x1	Monday
0x0	Sunday

Note: Be sure to avoid writing to the RTCAYAR.RTCWK[2:0] bits while the RTCACTLL.RTCBSY bit = 1.

Bits 7–4 **RTCYH[3:0]**

Bits 3–0 **RTCYL[3:0]**

The RTCAYAR.RTCYH[3:0] bits and the RTCAYAR.RTCYL[3:0] bits are used to set and read the 10-year digit and the 1-year digit of the year counter, respectively. The setting/read values are a BCD code within the range from 0 to 99.

Note: Be sure to avoid writing to the RTCAYAR.RTCYH[3:0]/RTCYL[3:0] bits while the RTCACTLL.RTCBSY bit = 1.

RTCA Interrupt Flag Register

Register name	Bit	Bit name	Initial	Reset	R/W	Remarks
RTCAINTF	15	RTCTRMIF	0	H0	R/W	Cleared by writing 1.
	14	SW1IF	0	H0	R/W	
	13	SW10IF	0	H0	R/W	
	12	SW100IF	0	H0	R/W	
	11–9	–	0x0	–	R	–
	8	ALARMIF	0	H0	R/W	Cleared by writing 1.
	7	T1DAYIF	0	H0	R/W	
	6	T1HURIF	0	H0	R/W	
	5	T1MINIF	0	H0	R/W	
	4	T1SECIF	0	H0	R/W	
	3	T1_2SECIF	0	H0	R/W	
	2	T1_4SECIF	0	H0	R/W	
	1	T1_8SECIF	0	H0	R/W	
	0	T1_32SECIF	0	H0	R/W	

Bit 15 **RTCTRMIF**

Bit 14 **SW1IF**

Bit 13 **SW10IF**

Bit 12 **SW100IF**

These bits indicate the real-time clock interrupt cause occurrence status.

1 (R): Cause of interrupt occurred

0 (R): No cause of interrupt occurred

1 (W): Clear flag

0 (W): Ineffective

The following shows the correspondence between the bit and interrupt:

RTCAINTF.RTCTRMIF bit: Theoretical regulation completion interrupt

RTCAINTF.SW1IF bit: Stopwatch 1 Hz interrupt

RTCAINTF.SW10IF bit: Stopwatch 10 Hz interrupt

RTCAINTF.SW100IF bit: Stopwatch 100 Hz interrupt

Bits 11–9 **Reserved**

Bit 8	ALARMIF
Bit 7	T1DAYIF
Bit 6	T1HURIF
Bit 5	T1MINIF
Bit 4	T1SECIF
Bit 3	T1_2SECIF
Bit 2	T1_4SECIF
Bit 1	T1_8SECIF
Bit 0	T1_32SECIF

These bits indicate the real-time clock interrupt cause occurrence status.

1 (R):	Cause of interrupt occurred
0 (R):	No cause of interrupt occurred
1 (W):	Clear flag
0 (W):	Ineffective

The following shows the correspondence between the bit and interrupt:

RTCAINTF.ALARMIF bit:	Alarm interrupt
RTCAINTF.T1DAYIF bit:	1-day interrupt
RTCAINTF.T1HURIF bit:	1-hour interrupt
RTCAINTF.T1MINIF bit:	1-minute interrupt
RTCAINTF.T1SECIF bit:	1-second interrupt
RTCAINTF.T1_2SECIF bit:	1/2-second interrupt
RTCAINTF.T1_4SECIF bit:	1/4-second interrupt
RTCAINTF.T1_8SECIF bit:	1/8-second interrupt
RTCAINTF.T1_32SECIF bit:	1/32-second interrupt

RTCA Interrupt Enable Register

Register name	Bit	Bit name	Initial	Reset	R/W	Remarks
RTCAINTE	15	RTCTRMIE	0	H0	R/W	-
	14	SW1IE	0	H0	R/W	
	13	SW10IE	0	H0	R/W	
	12	SW100IE	0	H0	R/W	
	11-9	-	0x0	-	R	
	8	ALARMIE	0	H0	R/W	
	7	T1DAYIE	0	H0	R/W	
	6	T1HURIE	0	H0	R/W	
	5	T1MINIE	0	H0	R/W	
	4	T1SECIE	0	H0	R/W	
	3	T1_2SECIE	0	H0	R/W	
	2	T1_4SECIE	0	H0	R/W	
	1	T1_8SECIE	0	H0	R/W	
0	T1_32SECIE	0	H0	R/W		

Bit 15	RTCTRMIE
Bit 14	SW1IE
Bit 13	SW10IE
Bit 12	SW100IE

These bits enable real-time clock interrupts.

1 (R/W):	Enable interrupts
0 (R/W):	Disable interrupts

The following shows the correspondence between the bit and interrupt:

RTCAINTE.RTCTRMIE bit:	Theoretical regulation completion interrupt
RTCAINTE.SW1IE bit:	Stopwatch 1 Hz interrupt
RTCAINTE.SW10IE bit:	Stopwatch 10 Hz interrupt
RTCAINTE.SW100IE bit:	Stopwatch 100 Hz interrupt

10 REAL-TIME CLOCK (RTCA)

Bits 11–9 Reserved

Bit 8	ALARMIE
Bit 7	T1DAYIE
Bit 6	T1HURIE
Bit 5	T1MINIE
Bit 4	T1SECIE
Bit 3	T1_2SECIE
Bit 2	T1_4SECIE
Bit 1	T1_8SECIE
Bit 0	T1_32SECIE

These bits enable real-time clock interrupts.

1 (R/W): Enable interrupts

0 (R/W): Disable interrupts

The following shows the correspondence between the bit and interrupt:

RTCAINTE.ALARMIE bit: Alarm interrupt

RTCAINTE.T1DAYIE bit: 1-day interrupt

RTCAINTE.T1HURIE bit: 1-hour interrupt

RTCAINTE.T1MINIE bit: 1-minute interrupt

RTCAINTE.T1SECIE bit: 1-second interrupt

RTCAINTE.T1_2SECIE bit: 1/2-second interrupt

RTCAINTE.T1_4SECIE bit: 1/4-second interrupt

RTCAINTE.T1_8SECIE bit: 1/8-second interrupt

RTCAINTE.T1_32SECIE bit: 1/32-second interrupt

11 Supply Voltage Detector (SVD2)

11.1 Overview

SVD2 is a supply voltage detector to monitor the power supply voltage on the V_{DD} pin or the voltage applied to an external pin. The main features are listed below.

- Power supply voltage to be detected: Selectable from V_{DD} and an external power supply (EXSVD_n)
- Detectable voltage level: Selectable from among 32 levels (1.7 to 4.3 V)
- Detection mode: Selectable from power supply voltage drop detection mode and power supply voltage rise detection mode
- Detection results:
 - In power supply voltage drop detection mode, whether the power supply voltage is lower than the detection voltage level or not can be read, and an interrupt or a reset can be generated when drop of power supply voltage is detected.
 - In power supply voltage rise detection mode, whether the power supply voltage is equal to or higher than the detection voltage level or not can be read, and an interrupt can be generated when a rise of the power supply voltage is detected.
- Interrupt: 2 systems (Power supply voltage drop detection and power supply voltage rise detection interrupts)
- Supports intermittent operations:
 - Three detection cycles are selectable.
 - Power supply voltage drop detection mode provides the power supply voltage drop detection count function to generate an interrupt/reset when drop of power supply voltage is successively detected the number of times specified.
 - Power supply voltage rise detection mode provides the power supply voltage rise detection count function to generate an interrupt when rise of the power supply voltage is successively detected the number of times specified.
 - Continuous operation is also possible.

Figure 11.1.1 shows the configuration of SVD2.

Table 11.1.1 SVD2 Channel Configuration of S1C31W74

Item	S1C31W74
Number of channels	2 channels (Ch.0 and Ch.1)
Reset generation function	Available (Ch.0 only)

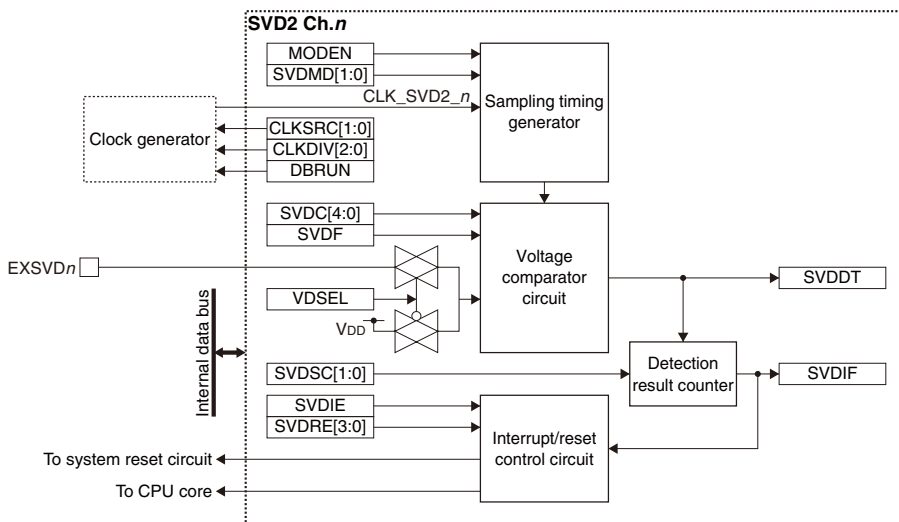


Figure 11.1.1 SVD2 Configuration

11.2 Input Pin and External Connection

11.2.1 Input Pin

Table 11.2.1.1 shows the SVD2 input pin.

Table 11.2.1.1 SVD2 Input Pin

Pin name	I/O*	Initial status*	Function
EXSVD n	A	A (Hi-Z)	SVD2 Ch. n external voltage detection input pin

* Indicates the status when the pin is configured for SVD2.

If the port is shared with the EXSVD n pin and other functions, the EXSVD n function must be assigned to the port before SVD2 Ch. n can be activated. For more information, refer to the “I/O Ports” chapter.

11.2.2 External Connection

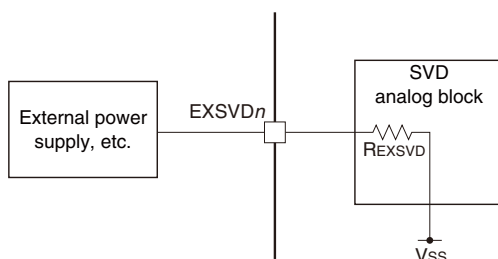


Figure 11.2.2.1 Connection between EXSVD n Pin and External Power Supply

R_{EXT} resistance value must be determined so that it will be sufficiently smaller than the EXSVD n input impedance R_{EXSVD}. For the EXSVD n pin input voltage range and the EXSVD n input impedance, refer to “Supply Voltage Detector Characteristics” in the “Electrical Characteristics” chapter.

11.3 Clock Settings

11.3.1 SVD2 Operating Clock

When using SVD2 Ch. n , the SVD2 Ch. n operating clock CLK_SVD2_ n must be supplied to SVD2 Ch. n from the clock generator.

The CLK_SVD2_ n supply should be controlled as in the procedure shown below.

1. Write 0x0096 to the SYSPROT.PROT[15:0] bits. (Remove system protection)
2. Enable the clock source in the clock generator if it is stopped (refer to “Clock Generator” in the “Power Supply, Reset, and Clocks” chapter).
3. Set the following SVD2_ n CLK register bits:
 - SVD2_ n CLK.CLKSRC[1:0] bits (Clock source selection)
 - SVD2_ n CLK.CLKDIV[2:0] bits (Clock division ratio selection = Clock frequency setting)
4. Write a value other than 0x0096 to the SYSPROT.PROT[15:0] bits. (Set system protection)

The CLK_SVD2_ n frequency should be set to around 32 kHz.

11.3.2 Clock Supply in SLEEP Mode

When using SVD2 Ch. n during SLEEP mode, the SVD2 Ch. n operating clock CLK_SVD2_ n must be configured so that it will keep supplying by writing 0 to the CLGOSC.xxxxSLPC bit for the CLK_SVD2_ n clock source.

If the CLGOSC.xxxxSLPC bit for the CLK_SVD2_ n clock source is 1, the CLK_SVD2_ n clock source is deactivated during SLEEP mode and SVD2 Ch. n stops with the register settings maintained at those before entering SLEEP mode. After the CPU returns to normal mode, CLK_SVD2_ n is supplied and the SVD2 Ch. n operation resumes.

11.3.3 Clock Supply During Debugging

The CLK_SVD2_*n* supply during debugging should be controlled using the SVD2_*n*CLK.DBRUN bit.

The CLK_SVD2_*n* supply to SVD2 Ch.*n* is suspended when the CPU enters debug state if the SVD2_*n*CLK.DBRUN bit = 0. After the CPU returns to normal operation, the CLK_SVD2_*n* supply resumes. Although SVD2 Ch.*n* stops operating when the CLK_SVD2_*n* supply is suspended, the registers retain the status before the debug state was entered. If the SVD2_*n*CLK.DBRUN bit = 1, the CLK_SVD2_*n* supply is not suspended and SVD2 Ch.*n* will keep operating in a debug state.

11.4 Operations

11.4.1 SVD2 Control

Starting detection

SVD2 Ch.*n* should be initialized and activated with the procedure listed below.

- Write 0x0096 to the SYSPROT.PROT[15:0] bits. (Remove system protection)
- Configure the operating clock using the SVD2_*n*CLK.CLKSRC[1:0] and SVD2_*n*CLK.CLKDIV[2:0] bits.
- Set the following SVD2_*n*CTL register bits:
 - SVD2_*n*CTL.VDSEL bit (Select detection voltage (V_{DD} or EXSVD*n*))
 - SVD2_*n*CTL.SVDF bit (Select detection mode (voltage drop or rise))
 - SVD2_*n*CTL.SVDSC[1:0] bits (Set power supply voltage drop/rise detection counter)
 - SVD2_*n*CTL.SVDC[4:0] bits (Set SVD detection voltage V_{SVD})
 - SVD2_*n*CTL.SVDRE[3:0] bits (Select reset/interrupt mode)
 - SVD2_*n*CTL.SVDMD[1:0] bits (Set intermittent operation mode)
- Set the following bits when using the interrupt:
 - Write 1 to the SVD2_*n*INTF.SVDIF bit. (Clear SVD2 Ch.*n* interrupt flag)
 - Set the SVD2_*n*INTE.SDVIE bit to 1. (Enable SVD2 Ch.*n* interrupt)
- Set the SVD2_*n*CTL.MODEN bit to 1. (Enable SVD2 Ch.*n* detection)
- Write a value other than 0x0096 to the SYSPROT.PROT[15:0] bits. (Set system protection)

Terminating detection

Follow the procedure shown below to stop SVD2 Ch.*n* operation.

- Write 0x0096 to the SYSPROT.PROT[15:0] bits. (Remove system protection)
- Write 0 to the SVD2_*n*CTL.MODEN bit. (Disable SVD2 Ch.*n* detection)
- Write a value other than 0x0096 to the SYSPROT.PROT[15:0] bits. (Set system protection)

Reading detection results

The following four detection results can be obtained by reading the SVD2_*n*INTF.SVDDT bit:

Table 11.4.1.1 Detection Results

SVD2_ <i>n</i> CTL.SVDF bit	SVD2_ <i>n</i> INTF.SVDDT bit	Detection results
0	0	Power supply voltage (V_{DD} or EXSVD <i>n</i>) \geq SVD detection voltage V_{SVD}
0	1	Power supply voltage (V_{DD} or EXSVD <i>n</i>) $<$ SVD detection voltage V_{SVD}
1	0	Power supply voltage (V_{DD} or EXSVD <i>n</i>) $<$ SVD detection voltage V_{SVD}
1	1	Power supply voltage (V_{DD} or EXSVD <i>n</i>) \geq SVD detection voltage V_{SVD}

Before reading the SVD2_*n*INTF.SVDDT bit, wait for at least SVD circuit enable response time after 1 is written to the SVD2_*n*CTL.MODEN bit (refer to “Supply Voltage Detector Characteristics, SVD circuit enable response time t_{SVEN} ” in the “Electrical Characteristics” chapter).

After the SVD2_*n*CTL.SVDC[4:0] bits setting value is altered to change the SVD detection voltage V_{SVD} when the SVD2_*n*CTL.MODEN bit = 1, wait for at least SVD circuit response time before reading the SVD2_*n*INTF.SVDDT bit (refer to “Supply Voltage Detector Characteristics, SVD circuit response time t_{SVD} ” in the “Electrical Characteristics” chapter).

11.4.2 SVD2 Operations

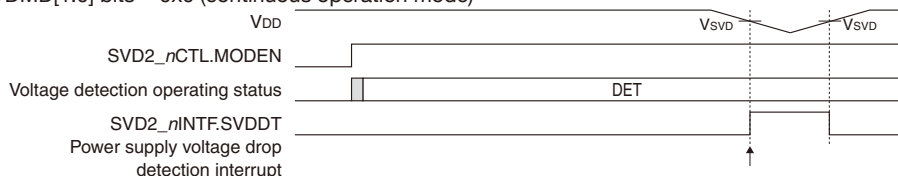
Continuous operation mode

SVD2 Ch.*n* operates in continuous operation mode by default (SVD2_nCTL.SVDMD[1:0] bits = 0x0). In this mode, SVD2 Ch.*n* operates continuously while the SVD2_nCTL.MODEN bit is set to 1 and it keeps loading the detection results to the SVD2_nINTF.SVDDT bit. During this period, the current detection results can be obtained by reading the SVD2_nINTF.SVDDT bit as necessary. Furthermore, an interrupt (if the SVD2_nCTL.SVDRE[3:0] bits ≠ 0xa) or a reset (if the SVD2_nCTL.SVDRE[3:0] bits = 0xa and the SVD2_nCTL.SVDF bit = 0) can be generated when the SVD2_nINTF.SVDDT bit is set to 1 (power supply voltage drop or rise is detected). This mode can keep detecting power supply voltage drop or rise after the voltage detection masking time has elapsed even if the IC is placed into SLEEP status or accidental clock stoppage has occurred.

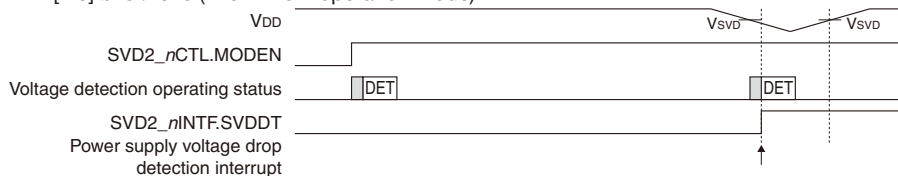
Intermittent operation mode

SVD2 Ch.*n* operates in intermittent operation mode when the SVD2_nCTL.SVDMD[1:0] bits are set to 0x1 to 0x3. In this mode, SVD2 Ch.*n* turns on at an interval set using the SVD2_nCTL.SVDMD[1:0] bits to perform detection operation and then it turns off while the SVD2_nCTL.MODEN bit is set to 1. During this period, the latest detection results can be obtained by reading the SVD2_nINTF.SVDDT bit as necessary. Furthermore, in power supply drop detection mode, an interrupt or a reset can be generated when SVD2 Ch.*n* has successively detected drop of power supply voltage the number of times specified by the SVD2_nCTL.SVDSC[1:0] bits. In power supply rise detection mode, an interrupt can be generated when SVD2 Ch.*n* has successively detected rise of the power supply voltage the number of the specified times.

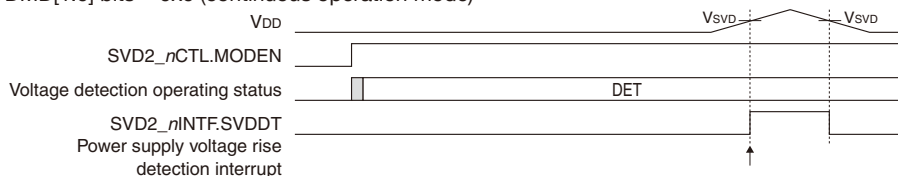
- (1) When the SVD2_nCTL.SVDF bit = 0 (power supply voltage drop detection mode) and the SVD2_nCTL.SVDMD[1:0] bits = 0x0 (continuous operation mode)



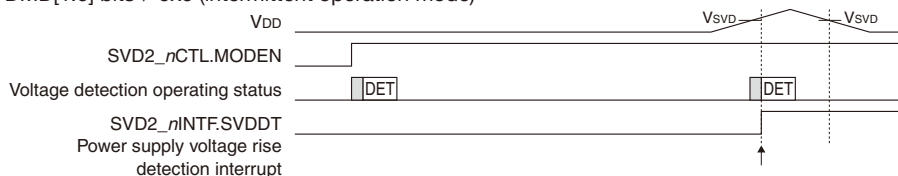
- (2) When the SVD2_nCTL.SVDF bit = 0 (power supply voltage drop detection mode) and the SVD2_nCTL.SVDMD[1:0] bits ≠ 0x0 (intermittent operation mode)



- (3) When the SVD2_nCTL.SVDF bit = 1 (power supply voltage rise detection mode) and the SVD2_nCTL.SVDMD[1:0] bits = 0x0 (continuous operation mode)



- (4) When the SVD2_nCTL.SVDF bit = 1 (power supply voltage rise detection mode) and the SVD2_nCTL.SVDMD[1:0] bits ≠ 0x0 (intermittent operation mode)



V_{SVD}: Level set using the SVD2_nCTL.SVDC[4:0] bits
 []: Voltage detection masking time
 [DET]: Voltage detection operation

Figure 11.4.2.1 SVD2 Operations

11.5 SVD2 Interrupt and Reset

11.5.1 SVD2 Interrupt

Setting the SVD2_nCTL.SVDRE[3:0] bits to a value other than 0xa allows use of the power supply voltage drop or rise detection interrupt function.

Table 11.5.1.1 Power Supply Voltage Drop/Rise Detection Interrupt Function

Interrupt	Interrupt flag	Set condition	Clear condition
Power supply voltage drop detection or Power supply voltage rise detection	SVD2_nINTF.SVDIF	In continuous operation mode When the SVD2_nINTF.SVDDT bit is set to 1 In intermittent operation mode When drop or rise of the power supply voltage is successively detected the specified number of times	Writing 1

SVD2 provides the interrupt enable bit (SVD2_nINTE.SVDIE bit) corresponding to the interrupt flag (SVD2_nINTF.SVDIF bit). An interrupt request is sent to the CPU core only when the SVD2_nINTF.SVDIF bit is set while the interrupt is enabled by the SVD2_nINTE.SVDIE bit. For more information on interrupt control, refer to the “Interrupt” chapter.

Once the SVD2_nINTF.SVDIF bit is set, it will not be cleared even if the power supply voltage subsequently returns to a value equal to or higher than the SVD detection voltage V_{SVD} (when voltage drop is detected) or to a lower value (when voltage rise is detected). An interrupt may occur due to a temporary power supply voltage drop, check the power supply voltage status by reading the SVD2_nINTF.SVDDT bit in the interrupt handler routine.

11.5.2 SVD2 Reset

Setting the SVD2_nCTL.SVDRE[3:0] bits to 0xa allows use of the SVD2 reset issuance function.

The reset issuing timing is the same as that of the SVD2_nINTF.SVDIF bit being set when voltage drop is detected. After a reset has been issued, SVD2 Ch.n enters continuous operation mode even if it was operating in intermittent operation mode, and continues operating. Issuing an SVD2 reset initializes the port assignment. However, when EXSVDn is being detected, the input of the port for the EXSVDn pin is sent to SVD2 Ch.n so that SVD2 Ch.n will continue the EXSVDn detection operation.

If the power supply voltage reverts to the normal level, the SVD2_nINTF.SVDDT bit goes 0 and the reset state is canceled. After that, SVD2 Ch.n resumes operating in the operation mode set previously via the initialization routine.

During reset state, the SVD2 control bits are set as shown in Table 11.5.2.1.

Table 11.5.2.1 SVD2 Control Bits During Reset State

Control register	Control bit	Setting
SVD2_nCLK	DBRUN	Reset to the initial values.
	CLKDIV[2:0]	
	CLKSRC[1:0]	
SVD2_nCTL	VDSEL	The set value is retained.
	SVDSCL[1:0]	Cleared to 0. (The set value becomes invalid as SVD2 Ch.n enters continuous operation mode.)
	SVDC[4:0]	The set value is retained.
	SVDRE[3:0]	The set value (0xa) is retained.
	SVDF	Cleared to 0 to set power supply voltage drop detection mode.
	SVDM[1:0]	Cleared to 0 to set continuous operation mode.
	MODEN	The set value (1) is retained.
SVD2_nINTF	SVDIF	The status (1) before being reset is retained.
SVD2_nINTE	SVDIE	Cleared to 0.

11.6 Control Registers

SVD2 Ch.*n* Clock Control Register

Register name	Bit	Bit name	Initial	Reset	R/W	Remarks
SVD2_ <i>n</i> CLK	15–9	–	0x00	–	R	–
	8	DBRUN	1	H0	R/WP	
	7	–	0	–	R	
	6–4	CLKDIV[2:0]	0x0	H0	R/WP	
	3–2	–	0x0	–	R	
	1–0	CLKSRC[1:0]	0x0	H0	R/WP	

Bits 15–9 Reserved

Bit 8 DBRUN

This bit sets whether the SVD2 Ch.*n* operating clock is supplied during debugging or not.

1 (R/WP): Clock supplied during debugging

0 (R/WP): No clock supplied during debugging

Bit 7 Reserved

Bits 6–4 CLKDIV[2:0]

These bits select the division ratio of the SVD2 Ch.*n* operating clock.

Bits 3–2 Reserved

Bits 1–0 CLKSRC[1:0]

These bits select the clock source of SVD2 Ch.*n*.

Table 11.6.1 Clock Source and Division Ratio Settings

SVD2_ <i>n</i> CLK. CLKDIV[2:0] bits	SVD2_ <i>n</i> CLK.CLKSRC[1:0] bits			
	0x0	0x1	0x2	0x3
	IOSC	OSC1	OSC3	EXOSC
0x6, 0x7	Reserved	1/1	Reserved	1/1
0x5	1/512		1/512	
0x4	1/256		1/256	
0x3	1/128		1/128	
0x2	1/64		1/64	
0x1	1/32		1/32	
0x0	1/16		1/16	

(Note) The oscillation circuits/external input that are not supported in this IC cannot be selected as the clock source.

Note: The clock frequency should be set to around 32 kHz.

SVD2 Ch.*n* Control Register

Register name	Bit	Bit name	Initial	Reset	R/W	Remarks
SVD2_ <i>n</i> CTL	15	VDSEL	0	H1	R/WP	–
	14–13	SVSDSC[1:0]	0x0	H0	R/WP	Writing takes effect when the SVD2_ <i>n</i> CTL.SVDMD[1:0] bits are not 0x0.
	12–8	SVSDC[4:0]	0x1e	H1	R/WP	–
	7–4	SVSDRE[3:0]	0x0	H1	R/WP	Reset will not be issued when the SVD2_ <i>n</i> CTL.SVDF bit = 1.
	3	SVDF	0	H0	R/W	–
	2–1	SVSDMD[1:0]	0x0	H0	R/W	–
	0	MODEN	0	H1	R/W	–

Bit 15 VDSEL

This bit selects the power supply voltage to be detected by SVD2 Ch.*n*.

1 (R/WP): Voltage applied to the EXSVD*n* pin

0 (R/WP): V_{DD}

Bits 14–13 SVDSC[1:0]

These bits set the condition to generate an interrupt/reset in intermittent operation mode (SVD2_ nCTL.SVDMD[1:0] bits = 0x1 to 0x3).

Table 11.6.2 Interrupt/Reset Generating Condition in Intermittent Operation Mode

SVD2_nCTL.SVDSC[1:0] bits	Interrupt generating condition	Reset generating condition
0x3	Power supply voltage drop/rise is successively detected eight times.	Power supply voltage drop is successively detected eight times.
0x2	Power supply voltage drop/rise is successively detected four times.	Power supply voltage drop is successively detected four times.
0x1	Power supply voltage drop/rise is successively detected twice.	Power supply voltage drop is successively detected twice.
0x0	Power supply voltage drop/rise is successively detected once.	Power supply voltage drop is successively detected once.

This setting is ineffective in continuous operation mode (SVD2_nCTL.SVDMD[1:0] bits = 0x0).

Bits 12–8 SVDC[4:0]

These bits select an SVD detection voltage V_{SVD} for detecting voltage drop or rise from among 32 levels.

Table 11.6.3 Setting of SVD Detection Voltage V_{SVD}

SVD2_nCTL.SVDC[4:0] bits	SVD detection voltage V_{SVD} [V]
0x1f	High
0x1e	↑
0x1d	
:	
0x02	
0x01	↓
0x00	Low

For more information, refer to “Supply Voltage Detector Characteristics, SVD detection voltage V_{SVD} ” in the “Electrical Characteristics” chapter.

Bits 7–4 SVDRE[3:0]

These bits enable/disable the reset issuance function when power supply voltage drop is detected.

0xa (R/WP): Enable (Issue reset)

Other than 0xa (R/WP): Disable (Generate interrupt)

For more information on the SVD2 reset issuance function, refer to “SVD2 Reset.”

Bit 3 SVDF

This bit selects a detection mode.

1 (R/W): Power supply voltage rise detection mode

0 (R/W): Power supply voltage drop detection mode

Bits 2–1 SVDMD[1:0]

These bits select intermittent operation mode and its detection cycle.

Table 11.6.4 Intermittent Operation Mode Detection Cycle Selection

SVD2_nCTL.SVDMD[1:0] bits	Operation mode (detection cycle)
0x3	Intermittent operation mode (CLK_SVD2_n/512)
0x2	Intermittent operation mode (CLK_SVD2_n/256)
0x1	Intermittent operation mode (CLK_SVD2_n/128)
0x0	Continuous operation mode

For more information on intermittent and continuous operation modes, refer to “SVD2 Operations.”

Bit 0 MODEN

This bit enables/disables for SVD2 Ch.n to operate.

1 (R/W): Enable (Start detection operations)

0 (R/W): Disable (Stop detection operations)

After this bit has been altered, wait until the value written is read out from this bit without subsequent operations being performed.

11 SUPPLY VOLTAGE DETECTOR (SVD2)

- Notes:**
- Writing 0 to the SVD2_nCTL.MODEN bit resets the SVD2 Ch.n hardware. However, the register values set and the interrupt flag are not cleared. The SVD2_nCTL.MODEN bit is actually set to 0 after this processing has finished. If 1 is written to the SVD2_nCTL.MODEN bit continuously without waiting for the bit being read as 0 at this time, writing 0 may be ignored and a malfunction may occur as the hardware restarts without resetting.
 - The SVD2 Ch.n internal circuit is initialized if the SVD2_nCTL.SVDSC[1:0] bits, SVD2_nCTL.SVDRE[3:0] bits, or SVD2_nCTL.SVDMD[1:0] bits are altered while SVD2 Ch.n is in operation after 1 is written to the SVD2_nCTL.MODEN bit.

SVD2 Ch.n Status and Interrupt Flag Register

Register name	Bit	Bit name	Initial	Reset	R/W	Remarks
SVD2_nINTF	15–9	–	0x00	–	R	–
	8	SVDDT	x	–	R	
	7–1	–	0x00	–	R	
	0	SVDIF	0	H1	R/W	Cleared by writing 1.

Bits 15–9 Reserved

Bit 8 SVDDT

The power supply voltage detection results can be read out from this bit.

Power supply voltage drop detection mode (SVD2_nCTL.SVDF bit = 0)

1 (R): Power supply voltage (V_{DD} or $EXSVDn$) < SVD detection voltage V_{SVD}

0 (R): Power supply voltage (V_{DD} or $EXSVDn$) \geq SVD detection voltage V_{SVD}

Power supply voltage rise detection mode (SVD2_nCTL.SVDF bit = 1)

1 (R): Power supply voltage (V_{DD} or $EXSVDn$) \geq SVD detection voltage V_{SVD}

0 (R): Power supply voltage (V_{DD} or $EXSVDn$) < SVD detection voltage V_{SVD}

Bits 7–1 Reserved

Bit 0 SVDIF

This bit indicates the power supply voltage drop or rise detection interrupt cause occurrence status.

1 (R): Cause of interrupt occurred

0 (R): No cause of interrupt occurred

1 (W): Clear flag

0 (W): Ineffective

Note: The SVD2 Ch.n internal circuit is initialized if the interrupt flag is cleared while SVD2 Ch.n is in operation after 1 is written to the SVD2_nCTL.MODEN bit.

SVD2 Ch.n Interrupt Enable Register

Register name	Bit	Bit name	Initial	Reset	R/W	Remarks
SVD2_nINTE	15–8	–	0x00	–	R	–
	7–1	–	0x00	–	R	
	0	SVDIE	0	H0	R/W	

Bits 15–1 Reserved

Bit 0 SVDIE

This bit enables power supply voltage drop or rise detection interrupts.

1 (R/W): Enable interrupts

0 (R/W): Disable interrupts

Notes:

- If the SVD2_nCTL.SVDRE[3:0] bits are set to 0xa in power supply voltage drop detection mode, no power supply voltage drop detection interrupt will occur, as a reset is issued at the same timing as an interrupt.

- To prevent generating unnecessary interrupts, the corresponding interrupt flag should be cleared before enabling interrupts.

12 16-bit Timers (T16)

12.1 Overview

T16 is a 16-bit timer. The features of T16 are listed below.

- 16-bit presetable down counter
- Provides a reload data register for setting the preset value.
- A clock source and clock division ratio for generating the count clock are selectable.
- Repeat mode or one-shot mode is selectable.
- Can generate counter underflow interrupts.

Figure 12.1.1 shows the configuration of a T16 channel.

Table 12.1.1 T16 Channel Configuration of S1C31W74

Item	S1C31W74
Number of channels	4 channels (Ch.0–Ch.3)
Event counter function	Not supported (No EXCL _m pins are provided.)
Peripheral clock output (Outputs the counter underflow signal.)	Ch.1 → Synchronous serial interface Ch.0 master clock Ch.2 → Quad synchronous serial interface Ch.0 master clock

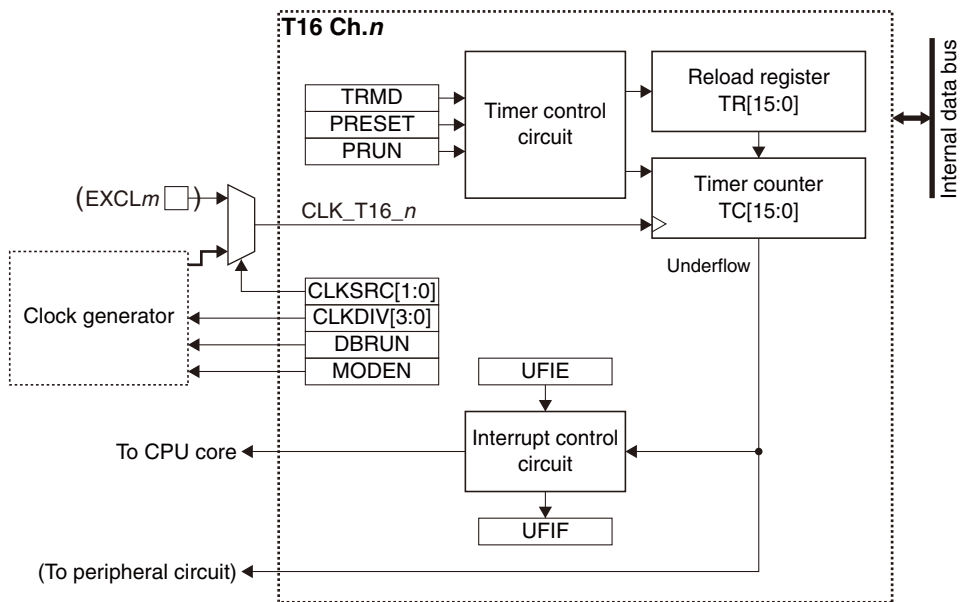


Figure 12.1.1 Configuration of a T16 Channel

12.2 Input Pin

Table 12.2.1 shows the T16 input pin.

Table 12.2.1 T16 Input Pin

Pin name	I/O*	Initial status*	Function
EXCL _m	I	I (Hi-Z)	External event signal input pin

* Indicates the status when the pin is configured for T16.

If the port is shared with the EXCL_m pin and other functions, the EXCL_m input function must be assigned to the port before using the event counter function. The EXCL_m signal can be input through the chattering filter. For more information, refer to the “I/O Ports” chapter.

12.3 Clock Settings

12.3.1 T16 Operating Clock

When using T16 Ch.*n*, the T16 Ch.*n* operating clock CLK_T16_*n* must be supplied to T16 Ch.*n* from the clock generator. The CLK_T16_*n* supply should be controlled as in the procedure shown below.

1. Enable the clock source in the clock generator if it is stopped (refer to “Clock Generator” in the “Power Supply, Reset, and Clocks” chapter).
2. Set the following T16_*n*CLK register bits:
 - T16_*n*CLK.CLKSRC[1:0] bits (Clock source selection)
 - T16_*n*CLK.CLKDIV[3:0] bits (Clock division ratio selection = Clock frequency setting)

12.3.2 Clock Supply in SLEEP Mode

When using T16 during SLEEP mode, the T16 operating clock CLK_T16_*n* must be configured so that it will keep supplying by writing 0 to the CLGOSC.*xxx*SLPC bit for the CLK_T16_*n* clock source.

If the CLGOSC.*xxx*SLPC bit for the CLK_T16_*n* clock source is 1, the CLK_T16_*n* clock source is deactivated during SLEEP mode and T16 stops with the register settings and counter value maintained at those before entering SLEEP mode. After the CPU returns to normal mode, CLK_T16_*n* is supplied and the T16 operation resumes.

12.3.3 Clock Supply During Debugging

The CLK_T16_*n* supply during debugging should be controlled using the T16_*n*CLK.DBRUN bit.

The CLK_T16_*n* supply to T16 Ch.*n* is suspended when the CPU enters debug state if the T16_*n*CLK.DBRUN bit = 0. After the CPU returns to normal operation, the CLK_T16_*n* supply resumes. Although T16 Ch.*n* stops operating when the CLK_T16_*n* supply is suspended, the counter and registers retain the status before the debug state was entered. If the T16_*n*CLK.DBRUN bit = 1, the CLK_T16_*n* supply is not suspended and T16 Ch.*n* will keep operating in a debug state.

12.3.4 Event Counter Clock

The channel that supports the event counter function counts down at the rising edge of the EXCL_{*m*} pin input signal when the T16_*n*CLK.CLKSRC[1:0] bits are set to 0x3.

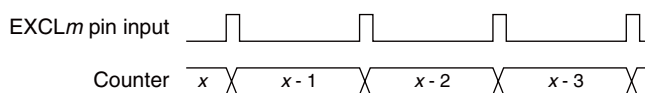


Figure 12.3.4.1 Count Down Timing

Note that the EXOSC clock is selected for the channel that does not support the event counter function.

12.4 Operations

12.4.1 Initialization

T16 Ch.*n* should be initialized and started counting with the procedure shown below.

1. Configure the T16 Ch.*n* operating clock (see “T16 Operating Clock”).
2. Set the T16_*n*CTL.MODEN bit to 1. (Enable count operation clock)
3. Set the T16_*n*MOD.TRMD bit. (Select operation mode (Repeat mode or One-shot mode)).
4. Set the T16_*n*TR register. (Set reload data (counter preset data))
5. Set the following bits when using the interrupt:
 - Write 1 to the T16_*n*INTF.UFIF bit. (Clear interrupt flag)
 - Set the T16_*n*INTE.UFIE bit to 1. (Enable underflow interrupt)

6. Set the following T16_nCTL register bits:
 - Set the T16_nCTL.PRESET bit to 1. (Preset reload data to counter)
 - Set the T16_nCTL.PRUN bit to 1. (Start counting)

12.4.2 Counter Underflow

Normally, the T16 counter starts counting down from the reload data value preset and generates an underflow signal when an underflow occurs. This signal is used to generate an interrupt and may be output to a specific peripheral circuit as a clock (T16 Ch.n must be set to repeat mode to generate a clock). The underflow cycle is determined by the T16 Ch.n operating clock setting and reload data (counter initial value) set in the T16_nTR register.

The following shows the equations to calculate the underflow cycle and frequency:

$$T = \frac{TR + 1}{f_{CLK_T16_n}} \quad f_T = \frac{f_{CLK_T16_n}}{TR + 1} \quad (\text{Eq. 12.1})$$

Where

- T: Underflow cycle [s]
 f_T: Underflow frequency [Hz]
 TR: T16_nTR register setting
 f_{CLK_T16_n}: T16 Ch.n operating clock frequency [Hz]

12.4.3 Operations in Repeat Mode

T16 Ch.n enters repeat mode by setting the T16_nMOD.TRMD bit to 0.

In repeat mode, the count operation starts by writing 1 to the T16_nCTL.PRUN bit and continues until 0 is written. A counter underflow presets the T16_nTR register value to the counter, so underflow occurs periodically. Select this mode to generate periodic underflow interrupts or when using the timer to output a trigger/clock to the peripheral circuit.

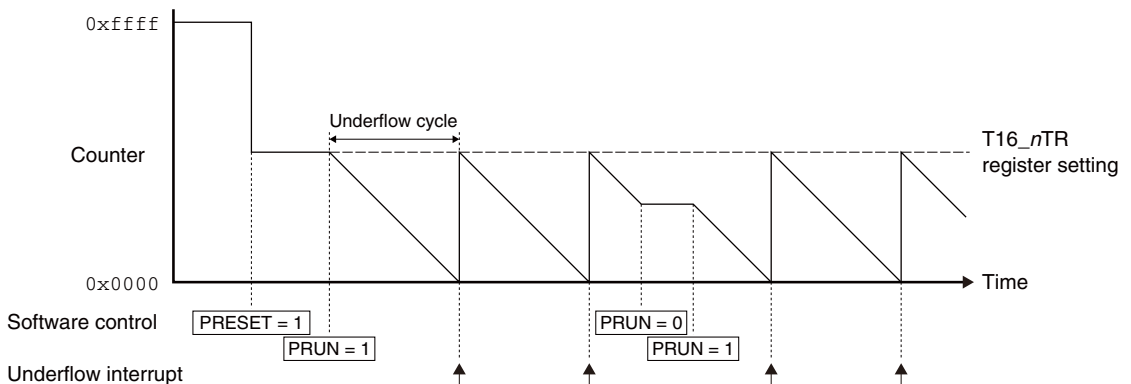


Figure 12.4.3.1 Count Operations in Repeat Mode

12.4.4 Operations in One-shot Mode

T16 Ch.n enters one-shot mode by setting the T16_nMOD.TRMD bit to 1.

In one-shot mode, the count operation starts by writing 1 to the T16_nCTL.PRUN bit and stops after the T16_nTR register value is preset to the counter when an underflow has occurred. At the same time the counter stops, the T16_nCTL.PRUN bit is cleared automatically. Select this mode to stop the counter after an interrupt has occurred once, such as for checking a specific lapse of time.

12 16-BIT TIMERS (T16)

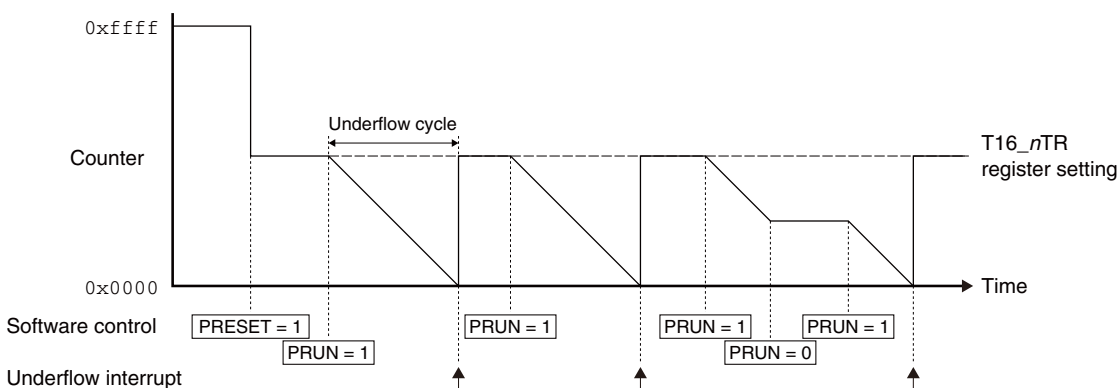


Figure 12.4.4.1 Count Operations in One-shot Mode

12.4.5 Counter Value Read

The counter value can be read out from the T16_nTC.TC[15:0] bits. However, since T16 operates on CLK_T16_n, one of the operations shown below is required to read correctly by the CPU.

- Read the counter value twice or more and check to see if the same value is read.
- Stop the timer and then read the counter value.

12.5 Interrupt

Each T16 channel has a function to generate the interrupt shown in Table 12.5.1.

Table 12.5.1 T16 Interrupt Function

Interrupt	Interrupt flag	Set condition	Clear condition
Underflow	T16_nINTF.UFIF	When the counter underflows	Writing 1

T16 provides interrupt enable bits corresponding to each interrupt flag. An interrupt request is sent to the CPU core only when the interrupt flag, of which interrupt has been enabled by the interrupt enable bit, is set. For more information on interrupt control, refer to the “Interrupt” chapter.

12.6 Control Registers

T16 Ch.n Clock Control Register

Register name	Bit	Bit name	Initial	Reset	R/W	Remarks
T16_nCLK	15–9	–	0x00	–	R	–
	8	DBRUN	0	H0	R/W	
	7–4	CLKDIV[3:0]	0x0	H0	R/W	
	3–2	–	0x0	–	R	
	1–0	CLKSRC[1:0]	0x0	H0	R/W	

Bits 15–9 Reserved

Bit 8 DBRUN

This bit sets whether the T16 Ch.n operating clock is supplied during debugging or not.
 1 (R/W): Clock supplied during debugging
 0 (R/W): No clock supplied during debugging

Bits 7–4 CLKDIV[3:0]

These bits select the division ratio of the T16 Ch.n operating clock (counter clock).

Bits 3–2 Reserved

Bits 1–0 CLKSRC[1:0]

These bits select the clock source of T16 Ch.n.

Table 12.6.1 Clock Source and Division Ratio Settings

T16_nCLK. CLKDIV[3:0] bits	T16_nCLK.CLKSRC[1:0] bits			
	0x0	0x1	0x2	0x3
	IOSC	OSC1	OSC3	EXOSC/EXCLm
0xf	1/32,768	1/1	1/32,768	1/1
0xe	1/16,384		1/16,384	
0xd	1/8,192		1/8,192	
0xc	1/4,096		1/4,096	
0xb	1/2,048		1/2,048	
0xa	1/1,024		1/1,024	
0x9	1/512		1/512	
0x8	1/256		1/256	
0x7	1/128	1/128	1/128	
0x6	1/64	1/64	1/64	
0x5	1/32	1/32	1/32	
0x4	1/16	1/16	1/16	
0x3	1/8	1/8	1/8	
0x2	1/4	1/4	1/4	
0x1	1/2	1/2	1/2	
0x0	1/1	1/1	1/1	

(Note 1) The oscillation circuits/external input that are not supported in this IC cannot be selected as the clock source.

(Note 2) When the T16_nCLK.CLKSRC[1:0] bits are set to 0x3, EXCLm is selected for the channel with an event counter function or EXOSC is selected for other channels.

T16 Ch.n Mode Register

Register name	Bit	Bit name	Initial	Reset	R/W	Remarks
T16_nMOD	15–8	–	0x00	–	R	–
	7–1	–	0x00	–	R	
	0	TRMD	0	H0	R/W	

Bits 15–1 Reserved

Bit 0 TRMD

This bit selects the T16 operation mode.

1 (R/W): One-shot mode

0 (R/W): Repeat mode

For detailed information on the operation mode, refer to “Operations in One-shot Mode” and “Operations in Repeat Mode.”

T16 Ch.n Control Register

Register name	Bit	Bit name	Initial	Reset	R/W	Remarks
T16_nCTL	15–9	–	0x00	–	R	–
	8	PRUN	0	H0	R/W	
	7–2	–	0x00	–	R	
	1	PRESET	0	H0	R/W	
	0	MODEN	0	H0	R/W	

Bits 15–9 Reserved

Bit 8 PRUN

This bit starts/stops the timer.

1 (W): Start timer

0 (W): Stop timer

1 (R): Timer is running

0 (R): Timer is idle

12 16-BIT TIMERS (T16)

By writing 1 to this bit, the timer starts count operations. However, the T16_nCTL.MODEN bit must be set to 1 in conjunction with this bit or it must be set in advance. While the timer is running, writing 0 to this bit stops count operations. When the counter stops due to a counter underflow in one-shot mode, this bit is automatically cleared to 0.

Bits 7–2 Reserved

Bit 1 PRESET

This bit presets the reload data stored in the T16_nTR register to the counter.

- 1 (W): Preset
- 0 (W): Ineffective
- 1 (R): Presetting in progress
- 0 (R): Presetting finished or normal operation

By writing 1 to this bit, the timer presets the T16_nTR register value to the counter. However, the T16_nCTL.MODEN bit must be set to 1 in conjunction with this bit or it must be set in advance. This bit retains 1 during presetting and is automatically cleared to 0 after presetting has finished.

Bit 0 MODEN

This bit enables the T16 Ch.n operations.

- 1 (R/W): Enable (Start supplying operating clock)
- 0 (R/W): Disable (Stop supplying operating clock)

T16 Ch.n Reload Data Register

Register name	Bit	Bit name	Initial	Reset	R/W	Remarks
T16_nTR	15–0	TR[15:0]	0xffff	H0	R/W	–

Bits 15–0 TR[15:0]

These bits are used to set the initial value to be preset to the counter.

The value set to this register will be preset to the counter when 1 is written to the T16_nCTL.PRESET bit or when the counter underflows.

- Notes:**
- The T16_nTR register cannot be altered while the timer is running (T16_nCTL.PRUN bit = 1), as an incorrect initial value may be preset to the counter.
 - When one-shot mode is set, the T16_nTR.TR[15:0] bits should be set to a value equal to or greater than 0x0001.

T16 Ch.n Counter Data Register

Register name	Bit	Bit name	Initial	Reset	R/W	Remarks
T16_nTC	15–0	TC[15:0]	0xffff	H0	R	–

Bits 15–0 TC[15:0]

The current counter value can be read out from these bits.

T16 Ch.n Interrupt Flag Register

Register name	Bit	Bit name	Initial	Reset	R/W	Remarks
T16_nINTF	15–8	–	0x00	–	R	–
	7–1	–	0x00	–	R	
	0	UFIF	0	H0	R/W	Cleared by writing 1.

Bits 15–1 Reserved

Bit 0 UFIF

This bit indicates the T16 Ch.n underflow interrupt cause occurrence status.

- 1 (R): Cause of interrupt occurred
- 0 (R): No cause of interrupt occurred
- 1 (W): Clear flag
- 0 (W): Ineffective

T16 Ch.*n* Interrupt Enable Register

Register name	Bit	Bit name	Initial	Reset	R/W	Remarks
T16_ <i>n</i> INTE	15-8	-	0x00	-	R	-
	7-1	-	0x00	-	R	
	0	UFIE	0	H0	R/W	

Bits 15-1 Reserved

Bit 0 **UFIE**

This bit enables T16 Ch.*n* underflow interrupts.

1 (R/W): Enable interrupts

0 (R/W): Disable interrupts

Note: To prevent generating unnecessary interrupts, the corresponding interrupt flag should be cleared before enabling interrupts.

13 UART (UART2)

13.1 Overview

The UART2 is an asynchronous serial interface. The features of the UART2 are listed below.

- Includes a baud rate generator for generating the transfer clock.
- Supports 7- and 8-bit data length (LSB first).
- Odd parity, even parity, or non-parity mode is selectable.
- The start bit length is fixed at 1 bit.
- The stop bit length is selectable from 1 bit and 2 bits.
- Supports full-duplex communications.
- Includes a 2-byte receive data buffer and a 1-byte transmit data buffer.
- Includes an RZI modulator/demodulator circuit to support IrDA 1.0-compatible infrared communications.
- Can detect parity error, framing error, and overrun error.
- Can generate receive buffer full (1 byte/2 bytes), transmit buffer empty, end of transmission, parity error, framing error, and overrun error interrupts.
- Can issue a DMA transfer request when a receive buffer one byte full or a transmit buffer empty occurs.
- Input pin can be pulled up with an internal resistor.
- The output pin is configurable as an open-drain output.

Figure 13.1.1 shows the UART2 configuration.

Table 13.1.1 UART2 Channel Configuration of S1C31W74

Item	S1C31W74
Number of channels	2 channels (Ch.0 and Ch.1)

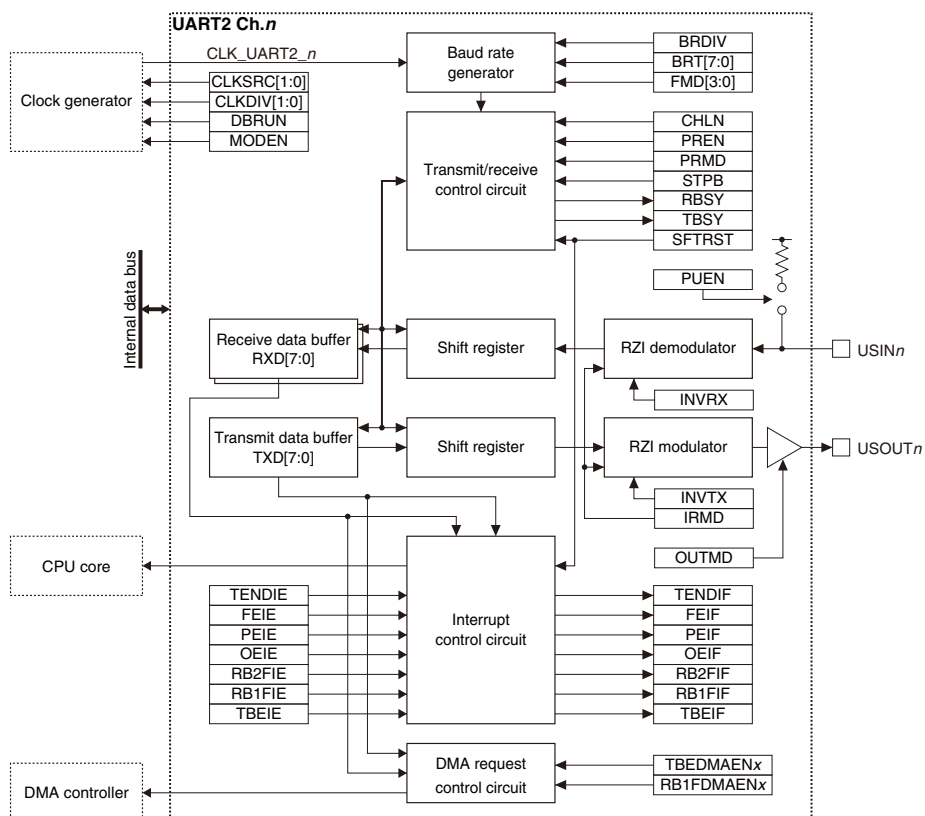


Figure 13.1.1 UART2 Configuration

13.2 Input/Output Pins and External Connections

13.2.1 List of Input/Output Pins

Table 13.2.1.1 lists the UART2 pins.

Table 13.2.1.1 List of UART2 Pins

Pin name	I/O*	Initial status*	Function
USIN n	I	I (Hi-Z)	UART2 Ch. n data input pin
USOUT n	O	O (High)	UART2 Ch. n data output pin

* Indicates the status when the pin is configured for the UART2.

If the port is shared with the UART2 pin and other functions, the UART2 input/output function must be assigned to the port before activating the UART2. For more information, refer to the “I/O Ports” chapter.

13.2.2 External Connections

Figure 13.2.2.1 shows a connection diagram between the UART2 in this IC and an external UART device.

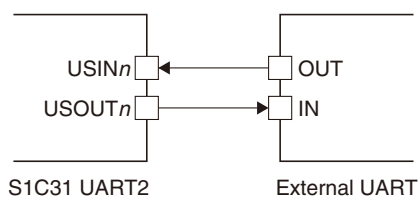


Figure 13.2.2.1 Connections between UART2 and an External UART Device

13.2.3 Input Pin Pull-Up Function

The UART2 includes a pull-up resistor for the USIN n pin. Setting the UART2_ n MOD.PUEN bit to 1 enables the resistor to pull up the USIN n pin.

13.2.4 Output Pin Open-Drain Output Function

The USOUT n pin supports the open-drain output function. Default configuration is a push-pull output and it is switched to an open-drain output by setting the UART2_ n MOD.OUTMD bit to 1.

13.2.5 Input/Output Signal Inverting Function

The UART2 can invert the signal polarities of the USIN n pin input and the USOUT n pin output by setting the UART2_ n MOD.INVRX bit and the UART2_ n MOD.INVTX bit, respectively, to 1.

Note: Unless otherwise specified, this chapter shows input/output signals with non-inverted waveforms (UART2_ n MOD.INVRX bit = 0, UART2_ n MOD.INVTX bit = 0).

13.3 Clock Settings

13.3.1 UART2 Operating Clock

When using the UART2 Ch. n , the UART2 Ch. n operating clock CLK_UART2_ n must be supplied to the UART2 Ch. n from the clock generator. The CLK_UART2_ n supply should be controlled as in the procedure shown below.

1. Enable the clock source in the clock generator if it is stopped (refer to “Clock Generator” in the “Power Supply, Reset, and Clocks” chapter).
2. Set the following UART2_ n CLK register bits:
 - UART2_ n CLK.CLKSRC[1:0] bits (Clock source selection)
 - UART2_ n CLK.CLKDIV[1:0] bits (Clock division ratio selection = Clock frequency setting)

The UART2 operating clock should be selected so that the baud rate generator will be configured easily.

13.3.2 Clock Supply in SLEEP Mode

When using the UART2 during SLEEP mode, the UART2 operating clock CLK_UART2_n must be configured so that it will keep supplying by writing 0 to the CLGOSC.xxxxSLPC bit for the CLK_UART2_n clock source.

13.3.3 Clock Supply During Debugging

The CLK_UART2_n supply during debugging should be controlled using the UART2_nCLK.DBRUN bit. The CLK_UART2_n supply to the UART2 Ch.n is suspended when the CPU enters debug state if the UART2_nCLK.DBRUN bit = 0. After the CPU returns to normal mode, the CLK_UART2_n supply resumes. Although the UART2 Ch.n stops operating when the CLK_UART2_n supply is suspended, the output pin and registers retain the status before the debug state was entered. If the UART2_nCLK.DBRUN bit = 1, the CLK_UART2_n supply is not suspended and the UART2 Ch.n will keep operating in a debug state.

13.3.4 Baud Rate Generator

The UART2 includes a baud rate generator to generate the transfer (sampling) clock. The transfer rate is determined by the UART2_nMOD.BRDIV, UART2_nBR.BRT[7:0], and UART2_nBR.FMD[3:0] bit settings. Use the following equations to calculate the setting values for obtaining the desired transfer rate.

$$\text{bps} = \frac{\text{CLK_UART2}}{\frac{\text{BRT} + 1}{\text{BRDIV}} + \text{FMD}} \quad \text{BRT} = \text{BRDIV} \times \left(\frac{\text{CLK_UART2}}{\text{bps}} - \text{FMD} \right) - 1 \quad (\text{Eq. 13.1})$$

Where

- bps: Transfer rate [bit/s]
- CLK_UART2: UART2 operating clock frequency [Hz]
- BRDIV: Baud rate division ratio (1/16 or 1/4) * Selected by the UART2_nMOD.BRDIV bit
- BRT: UART2_nBR.BRT[7:0] setting value (0 to 255)
- FMD: UART2_nBR.FMD[3:0] setting value (0 to 15)

For the transfer rate range configurable in the UART2, refer to “UART Characteristics, Transfer baud rates U_{BRT1} and U_{BRT2}” in the “Electrical Characteristics” chapter.

13.4 Data Format

The UART2 allows setting of the data length, stop bit length, and parity function. The start bit length is fixed at one bit.

Data length

With the UART2_nMOD.CHLN bit, the data length can be set to seven bits (UART2_nMOD.CHLN bit = 0) or eight bits (UART2_nMOD.CHLN bit = 1).

Stop bit length

With the UART2_nMOD.STPB bit, the stop bit length can be set to one bit (UART2_nMOD.STPB bit = 0) or two bits (UART2_nMOD.STPB bit = 1).

Parity function

The parity function is configured using the UART2_nMOD.PREN and UART2_nMOD.PRMD bits.

Table 13.4.1 Parity Function Setting

UART2_nMOD.PREN bit	UART2_nMOD.PRMD bit	Parity function
1	1	Odd parity
1	0	Even parity
0	*	Non parity

13 UART (UART2)

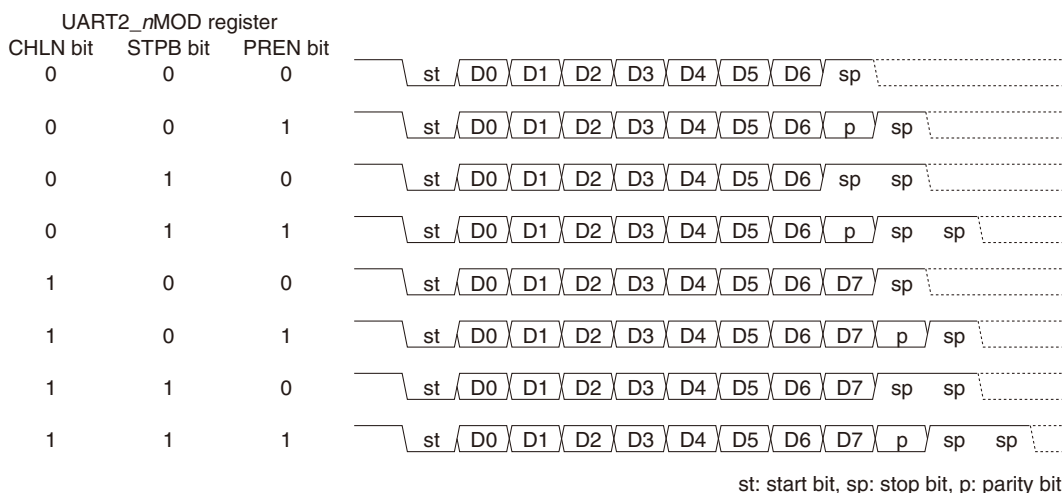


Figure 13.4.1 Data Format

13.5 Operations

13.5.1 Initialization

The UART2 Ch.*n* should be initialized with the procedure shown below.

- Assign the UART2 Ch.*n* input/output function to the ports. (Refer to the “I/O Ports” chapter.)
- Set the UART2_nCLK.CLKSRC[1:0] and UART2_nCLK.CLKDIV[1:0] bits. (Configure operating clock)
- Configure the following UART2_nMOD register bits:
 - UART2_nMOD.BRDIV bit (Select baud rate division ratio (1/16 or 1/4))
 - UART2_nMOD.INVRX bit (Enable/disable USIN_{*n*} input signal inversion)
 - UART2_nMOD.INVTX bit (Enable/disable USOUT_{*n*} output signal inversion)
 - UART2_nMOD.PUEN bit (Enable/disable USIN_{*n*} pin pull-up)
 - UART2_nMOD.OUTMD bit (Enable/disable USOUT_{*n*} pin open-drain output)
 - UART2_nMOD.IRMD bit (Enable/disable IrDA interface)
 - UART2_nMOD.CHLN bit (Set data length (7 or 8 bits))
 - UART2_nMOD.PREN bit (Enable/disable parity function)
 - UART2_nMOD.PRMD bit (Select parity mode (even or odd))
 - UART2_nMOD.STPB bit (Set stop bit length (1 or 2 bits))
- Set the UART2_nBR.BRT[7:0] and UART2_nBR.FMD[3:0] bits. (Set transfer rate)
- Set the following UART2_nCTL register bits:
 - Set the UART2_nCTL.SFTRST bit to 1. (Execute software reset)
 - Set the UART2_nCTL.MODEN bit to 1. (Enable UART2 Ch.*n* operations)
- Set the following bits when using the interrupt:
 - Write 1 to the interrupt flags in the UART2_nINTF register. (Clear interrupt flags)
 - Set the interrupt enable bits in the UART2_nINTE register to 1. * (Enable interrupts)

* The initial value of the UART2_nINTF.TBEIF bit is 1, therefore, an interrupt will occur immediately after the UART2_nINTE.TBEIE bit is set to 1.
- Configure the DMA controller and set the following UART2 control bits when using DMA transfer:
 - Write 1 to the DMA transfer request enable bits in the UART2_nTBEDMAEN and UART2_nRBFDMAEN registers. (Enable DMA transfer requests)

13.5.2 Data Transmission

A data sending procedure and the UART2 Ch.*n* operations are shown below. Figures 13.5.2.1 and 13.5.2.2 show a timing chart and a flowchart, respectively.

Data sending procedure

1. Check to see if the UART2_nINTF.TBEIF bit is set to 1 (transmit buffer empty).
2. Write transmit data to the UART2_nTXD register.
3. Wait for a UART2 interrupt when using the interrupt.
4. Repeat Steps 1 to 3 (or 1 and 2) until the end of transmit data.

UART2 data sending operations

The UART2 Ch.*n* starts data sending operations when transmit data is written to the UART2_nTXD register.

The transmit data in the UART2_nTXD register is automatically transferred to the shift register and the UART2_nINTF.TBEIF bit is set to 1 (transmit buffer empty).

The USOUT*n* pin outputs a start bit and the UART2_nINTF.TBSY bit is set to 1 (transmit busy). The shift register data bits are then output successively from the LSB. Following output of MSB, the parity bit (if parity is enabled) and the stop bit are output.

Even if transmit data is being output from the USOUT*n* pin, the next transmit data can be written to the UART2_nTXD register after making sure the UART2_nINTF.TBEIF bit is set to 1.

If no transmit data remains in the UART2_nTXD register after the stop bit has been output from the USOUT*n* pin, the UART2_nINTF.TBSY bit is cleared to 0 and the UART2_nINTF.TENDIF bit is set to 1 (transmission completed).

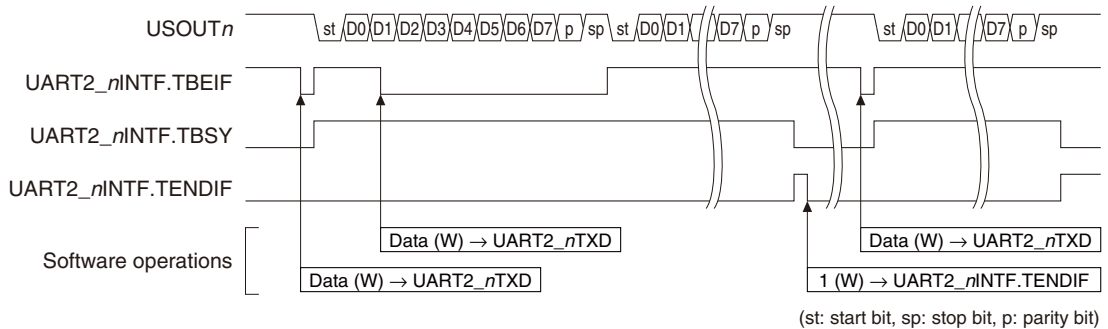


Figure 13.5.2.1 Example of Data Sending Operations

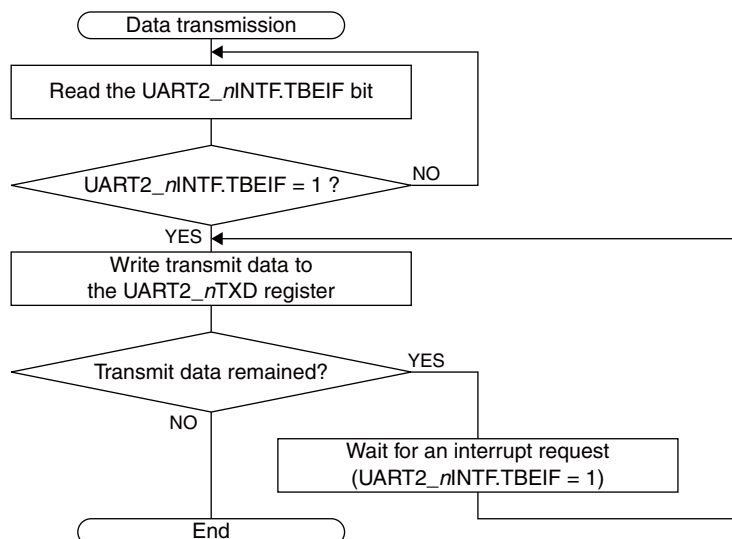


Figure 13.5.2.2 Data Transmission Flowchart

Data transmission using DMA

By setting the `UART2_nTBEDMAEN.TBEDMAENx` bit to 1 (DMA transfer request enabled), a DMA transfer request is sent to the DMA controller and transmit data is transferred from the specified memory to the `UART2_nTXD` register via DMA Ch.*x* when the `UART2_nINTF.TBEIF` bit is set to 1 (transmit buffer empty). This automates the data sending procedure described above.

The transfer source/destination and control data must be set for the DMA controller and the relevant DMA channel must be enabled to start a DMA transfer in advance so that transmit data will be transferred to the `UART2_nTXD` register. For more information on DMA, refer to the “DMA Controller” chapter.

Table 13.5.2.1 DMA Data Structure Configuration Example (for Data Transmission)

	Item	Setting example
End pointer	Transfer source	Memory address in which the last transmit data is stored
	Transfer destination	<code>UART2_nTXD</code> register address
Control data	<code>dst_inc</code>	0x3 (no increment)
	<code>dst_size</code>	0x0 (byte)
	<code>src_inc</code>	0x0 (+1)
	<code>src_size</code>	0x0 (byte)
	<code>R_power</code>	0x0 (arbitrated for every transfer)
	<code>n_minus_1</code>	Number of transfer data
	<code>cycle_ctrl</code>	0x1 (basic transfer)

13.5.3 Data Reception

A data receiving procedure and the `UART2` Ch.*n* operations are shown below. Figures 13.5.3.1 and 13.5.3.2 show a timing chart and flowcharts, respectively.

Data receiving procedure (read by one byte)

1. Wait for a `UART2` interrupt when using the interrupt.
2. Check to see if the `UART2_nINTF.RB1FIF` bit is set to 1 (receive buffer one byte full).
3. Read the received data from the `UART2_nRXD` register.
4. Repeat Steps 1 to 3 (or 2 and 3) until the end of data reception.

Data receiving procedure (read by two bytes)

1. Wait for a `UART2` interrupt when using the interrupt.
2. Check to see if the `UART2_nINTF.RB2FIF` bit is set to 1 (receive buffer two bytes full).
3. Read the received data from the `UART2_nRXD` register twice.
4. Repeat Steps 1 to 3 (or 2 and 3) until the end of data reception.

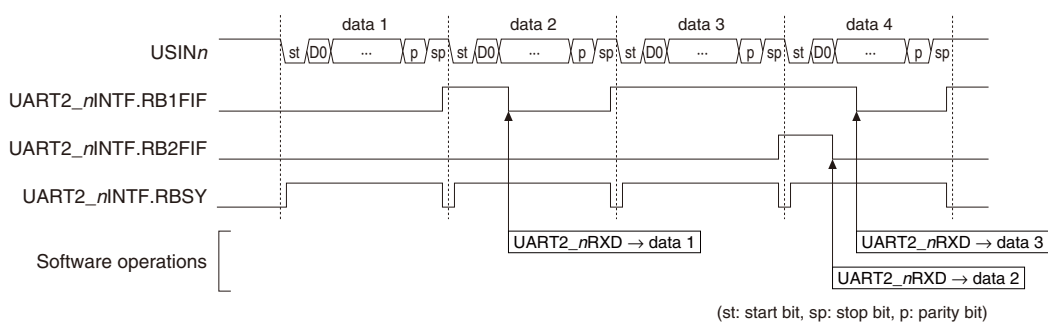
UART2 data receiving operations

The `UART2` Ch.*n* starts data receiving operations when a start bit is input to the `USINn` pin.

After the receive circuit has detected a low level as a start bit, it starts sampling the following data bits and loads the received data into the receive shift register. The `UART2_nINTF.RBSY` bit is set to 1 when the start bit is detected.

The `UART2_nINTF.RBSY` bit is cleared to 0 and the receive shift register data is transferred to the receive data buffer at the stop bit receive timing.

The receive data buffer consists of a 2-byte FIFO and receives data until it becomes full. When the receive data buffer receives the first data, it sets the `UART2_nINTF.RB1FIF` bit to 1 (receive buffer one byte full). If the second data is received without reading the first data, the `UART2_nINTF.RB2FIF` bit is set to 1 (receive buffer two bytes full).



(st: start bit, sp: stop bit, p: parity bit)

Figure 13.5.3.1 Example of Data Receiving Operations

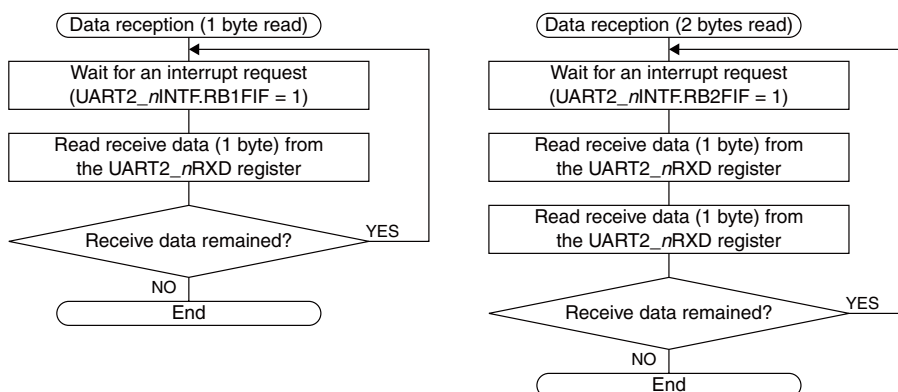


Figure 13.5.3.2 Data Reception Flowcharts

Data reception using DMA

By setting the `UART2_nRB1FDMAEN.RB1FDMAENx` bit to 1 (DMA transfer request enabled), a DMA transfer request is sent to the DMA controller and the received data is transferred from the `UART2_nRXD` register to the specified memory via DMA Ch.x when the `UART2_nINTF.RB1FIF` bit is set to 1 (receive buffer one byte full).

This automates the procedure (read by one byte) described above.

The transfer source/destination and control data must be set for the DMA controller and the relevant DMA channel must be enabled to start a DMA transfer in advance. For more information on DMA, refer to the “DMA Controller” chapter.

Table 13.5.3.1 DMA Data Structure Configuration Example (for Data Reception)

	Item	Setting example
End pointer	Transfer source	<code>UART2_nRXD</code> register address
	Transfer destination	Memory address to which the last received data is stored
Control data	<code>dst_inc</code>	0x0 (+1)
	<code>dst_size</code>	0x0 (byte)
	<code>src_inc</code>	0x3 (no increment)
	<code>src_size</code>	0x0 (byte)
	<code>R_power</code>	0x0 (arbitrated for every transfer)
	<code>n_minus_1</code>	Number of transfer data
	<code>cycle_ctrl</code>	0x1 (basic transfer)

13.5.4 IrDA Interface

This UART2 includes an RZI modulator/demodulator circuit enabling implementation of IrDA 1.0-compatible infrared communication function simply by adding simple external circuits.

Set the `UART2_nMOD.IRMD` bit to 1 to use the IrDA interface.

Data transfer control is identical to that for normal interface even if the IrDA interface function is enabled.

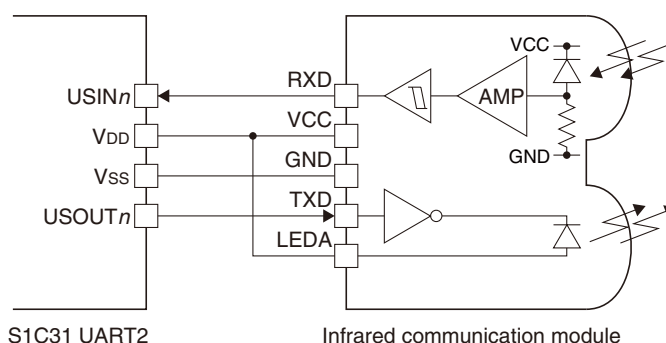


Figure 13.5.4.1 Example of Connections with an Infrared Communication Module

The transmit data output from the UART2 Ch. n transmit shift register is output from the USOUT n pin after the low pulse width is converted into $3/16$ by the RZI modulator in SIR method.

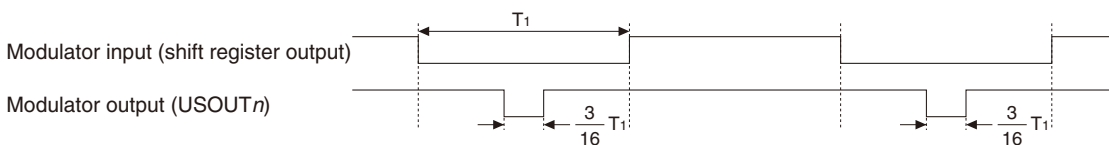


Figure 13.5.4.2 IrDA Transmission Signal Waveform

The received IrDA signal is input to the RZI demodulator and the low pulse width is converted into the normal width before input to the receive shift register.



Figure 13.5.4.3 IrDA Receive Signal Waveform

- Notes:**
- Set the baud rate division ratio to $1/16$ when using the IrDA interface function.
 - The low pulse width (T_2) of the IrDA signal input must be $\text{CLK_UART2}_n \times 3$ cycles or longer.

13.6 Receive Errors

Three different receive errors, framing error, parity error, and overrun error, may be detected while receiving data. Since receive errors are interrupt causes, they can be processed by generating interrupts.

13.6.1 Framing Error

The UART2 determines loss of sync if a stop bit is not detected (when the stop bit is received as 0) and assumes that a framing error has occurred. The received data that encountered an error is still transferred to the receive data buffer and the UART2 $_n$ INTF.FEIF bit (framing error interrupt flag) is set to 1 when the data becomes ready to read from the UART2 $_n$ RXD register.

Note: Framing error/parity error interrupt flag set timings

These interrupt flags will be set after the data that encountered an error is transferred to the receive data buffer. Note, however, that the set timing depends on the buffer status at that point.

- When the receive data buffer is empty
The interrupt flag will be set when the data that encountered an error is transferred to the receive data buffer.
- When the receive data buffer has a one-byte free space
The interrupt flag will be set when the first data byte already loaded is read out after the data that encountered an error is transferred to the second byte entry of the receive data buffer.

13.6.2 Parity Error

If the parity function is enabled, a parity check is performed when data is received. The UART2 checks matching between the data received in the shift register and its parity bit, and issues a parity error if the result is a non-match. The received data that encountered an error is still transferred to the receive data buffer and the UART2_nINTF.PEIF bit (parity error interrupt flag) is set to 1 when the data becomes ready to read from the UART2_nRXD register (see the Note on framing error).

13.6.3 Overrun Error

If the receive data buffer is still full (two bytes of received data have not been read) when a data reception to the shift register has completed, an overrun error occurs as the data cannot be transferred to the receive data buffer. When an overrun error occurs, the UART2_nINTF.OEIF bit (overrun error interrupt flag) is set to 1.

13.7 Interrupts

The UART2 has a function to generate the interrupts shown in Table 13.7.1.

Table 13.7.1 UART2 Interrupt Function

Interrupt	Interrupt flag	Set condition	Clear condition
End of transmission	UART2_nINTF.TENDIF	When the UART2_nINTF.TBEIF bit = 1 after the stop bit has been sent	Writing 1 or software reset
Framing error	UART2_nINTF.FEIF	Refer to the “Receive Errors.”	Writing 1, reading received data that encountered an error, or software reset
Parity error	UART2_nINTF.PEIF	Refer to the “Receive Errors.”	Writing 1, reading received data that encountered an error, or software reset
Overrun error	UART2_nINTF.OEIF	Refer to the “Receive Errors.”	Writing 1 or software reset
Receive buffer two bytes full	UART2_nINTF.RB2FIF	When the second received data byte is loaded to the receive data buffer in which the first byte is already received	Reading received data or software reset
Receive buffer one byte full	UART2_nINTF.RB1FIF	When the first received data byte is loaded to the emptied receive data buffer	Reading data to empty the receive data buffer or software reset
Transmit buffer empty	UART2_nINTF.TBEIF	When transmit data written to the transmit data buffer is transferred to the shift register	Writing transmit data

The UART2 provides interrupt enable bits corresponding to each interrupt flag. An interrupt request is sent to the CPU core only when the interrupt flag, of which interrupt has been enabled by the interrupt enable bit, is set. For more information on interrupt control, refer to the “Interrupt” chapter.

13.8 DMA Transfer Requests

The UART2 has a function to generate DMA transfer requests from the causes shown in Table 13.8.1.

Table 13.8.1 DMA Transfer Request Causes of UART2

Cause to request DMA transfer	DMA transfer request flag	Set condition	Clear condition
Receive buffer one byte full	Receive buffer one byte full flag (UART2_nINTF.RB1FIF)	When the first received data byte is loaded to the emptied receive data buffer	Reading data to empty the receive data buffer or software reset
Transmit buffer empty	Transmit buffer empty flag (UART2_nINTF.TBEIF)	When transmit data written to the transmit data buffer is transferred to the shift register	Writing transmit data

13 UART (UART2)

The UART2 provides DMA transfer request enable bits corresponding to each DMA transfer request flag shown above for the number of DMA channels. A DMA transfer request is sent to the pertinent channel of the DMA controller only when the DMA transfer request flag, of which DMA transfer has been enabled by the DMA transfer request enable bit, is set. The DMA transfer request flag also serves as an interrupt flag, therefore, both the DMA transfer request and the interrupt cannot be enabled at the same time. After a DMA transfer has completed, disable the DMA transfer to prevent unintended DMA transfer requests from being issued. For more information on the DMA control, refer to the “DMA Controller” chapter.

13.9 Control Registers

UART2 Ch.n Clock Control Register

Register name	Bit	Bit name	Initial	Reset	R/W	Remarks
UART2_nCLK	15–9	–	0x00	–	R	–
	8	DBRUN	0	H0	R/W	
	7–6	–	0x0	–	R	
	5–4	CLKDIV[1:0]	0x0	H0	R/W	
	3–2	–	0x0	–	R	
	1–0	CLKSRC[1:0]	0x0	H0	R/W	

Bits 15–9 Reserved

Bit 8 DBRUN

This bit sets whether the UART2 operating clock is supplied in DEBUG mode or not.

1 (R/W): Clock supplied in DEBUG mode

0 (R/W): No clock supplied in DEBUG mode

Bits 7–6 Reserved

Bits 5–4 CLKDIV[1:0]

These bits select the division ratio of the UART2 operating clock.

Bits 3–2 Reserved

Bits 1–0 CLKSRC[1:0]

These bits select the clock source of the UART2.

Table 13.9.1 Clock Source and Division Ratio Settings

UART2_nCLK. CLKDIV[1:0] bits	UART2_nCLK.CLKSRC[1:0] bits			
	0x0	0x1	0x2	0x3
	IOSC	OSC1	OSC3	EXOSC
0x3	1/8	1/1	1/8	1/1
0x2	1/4		1/4	
0x1	1/2		1/2	
0x0	1/1		1/1	

(Note) The oscillation circuits/external input that are not supported in this IC cannot be selected as the clock source.

Note: The UART2_nCLK register settings can be altered only when the UART2_nCTL.MODEN bit = 0.

UART2 Ch.*n* Mode Register

Register name	Bit	Bit name	Initial	Reset	R/W	Remarks
UART2_ <i>n</i> MOD	15–11	–	0x00	–	R	–
	10	BRDIV	0	H0	R/W	
	9	INVRX	0	H0	R/W	
	8	INVTX	0	H0	R/W	
	7	–	0	–	R	
	6	PUEN	0	H0	R/W	
	5	OUTMD	0	H0	R/W	
	4	IRMD	0	H0	R/W	
	3	CHLN	0	H0	R/W	
	2	PREN	0	H0	R/W	
	1	PRMD	0	H0	R/W	
	0	STPB	0	H0	R/W	

Bits 15–11 Reserved

Bit 10 BRDIV

This bit sets the UART2 operating clock division ratio for generating the transfer (sampling) clock using the baud rate generator.

1 (R/W): 1/4

0 (R/W): 1/16

Bit 9 INVRX

This bit enables the USIN n input inverting function.

1 (R/W): Enable input inverting function

0 (R/W): Disable input inverting function

Bit 8 INVTX

This bit enables the USOUT n output inverting function.

1 (R/W): Enable output inverting function

0 (R/W): Disable output inverting function

Bit 7 Reserved

Bit 6 PUEN

This bit enables pull-up of the USIN n pin.

1 (R/W): Enable pull-up

0 (R/W): Disable pull-up

Bit 5 OUTMD

This bit sets the USOUT n pin output mode.

1 (R/W): Open-drain output

0 (R/W): Push-pull output

Bit 4 IRMD

This bit enables the IrDA interface function.

1 (R/W): Enable IrDA interface function

0 (R/W): Disable IrDA interface function

Bit 3 CHLN

This bit sets the data length.

1 (R/W): 8 bits

0 (R/W): 7 bits

Bit 2 PREN

This bit enables the parity function.

1 (R/W): Enable parity function

0 (R/W): Disable parity function

13 UART (UART2)

Bit 1 PRMD

This bit selects either odd parity or even parity when using the parity function.

1 (R/W): Odd parity

0 (R/W): Even parity

Bit 0 STPB

This bit sets the stop bit length.

1 (R/W): 2 bits

0 (R/W): 1 bit

Note: The UART2_nMOD register settings can be altered only when the UART2_nCTL.MODEN bit = 0.

UART2 Ch.n Baud–Rate Register

Register name	Bit	Bit name	Initial	Reset	R/W	Remarks
UART2_nBR	15–12	–	0x0	–	R	–
	11–8	FMD[3:0]	0x0	H0	R/W	
	7–0	BRT[7:0]	0x00	H0	R/W	

Bits 15–12 Reserved

Bits 11–8 FMD[3:0]

Bits 7–0 BRT[7:0]

These bits set the UART2 transfer rate. For more information, refer to “Baud Rate Generator.”

- Notes:**
- The UART2_nBR register settings can be altered only when the UART2_nCTL.MODEN bit = 0.
 - Do not set the UART2_nBR.FMD[3:0] bits to a value other than 0 to 3 when the UART2_nMOD.BRDIV bit = 1.

UART2 Ch.n Control Register

Register name	Bit	Bit name	Initial	Reset	R/W	Remarks
UART2_nCTL	15–8	–	0x00	–	R	–
	7–2	–	0x00	–	R	
	1	SFTRST	0	H0	R/W	
	0	MODEN	0	H0	R/W	

Bits 15–2 Reserved

Bit 1 SFTRST

This bit issues software reset to the UART2.

1 (W): Issue software reset

0 (W): Ineffective

1 (R): Software reset is executing.

0 (R): Software reset has finished. (During normal operation)

Setting this bit resets the UART2 transmit/receive control circuit and interrupt flags. This bit is automatically cleared after the reset processing has finished.

Bit 0 MODEN

This bit enables the UART2 operations.

1 (R/W): Enable UART2 operations (The operating clock is supplied.)

0 (R/W): Disable UART2 operations (The operating clock is stopped.)

- Note:** If the UART2_nCTL.MODEN bit is altered from 1 to 0 while sending/receiving data, the data being sent/received cannot be guaranteed. When setting the UART2_nCTL.MODEN bit to 1 again after that, be sure to write 1 to the UART2_nCTL.SFTRST bit as well.

UART2 Ch.n Transmit Data Register

Register name	Bit	Bit name	Initial	Reset	R/W	Remarks
UART2_nTXD	15–8	–	0x00	–	R	–
	7–0	TXD[7:0]	0x00	H0	R/W	

Bits 15–8 Reserved

Bits 7–0 TXD[7:0]

Data can be written to the transmit data buffer through these bits. Make sure the UART2_nINTF.TBEIF bit is set to 1 before writing data.

UART2 Ch.n Receive Data Register

Register name	Bit	Bit name	Initial	Reset	R/W	Remarks
UART2_nRXD	15–8	–	0x00	–	R	–
	7–0	RXD[7:0]	0x00	H0	R	

Bits 15–8 Reserved

Bits 7–0 RXD[7:0]

The receive data buffer can be read through these bits. The receive data buffer consists of a 2-byte FIFO, and older received data is read first.

UART2 Ch.n Status and Interrupt Flag Register

Register name	Bit	Bit name	Initial	Reset	R/W	Remarks	
UART2_nINTF	15–10	–	0x00	–	R	–	
	9	RBSY	0	H0/S0	R		
	8	TBSY	0	H0/S0	R		
	7	–	0	–	R		
	6	TENDIF	0	H0/S0	R/W		Cleared by writing 1.
	5	FEIF	0	H0/S0	R/W		Cleared by writing 1 or reading the UART2_nRXD register.
	4	PEIF	0	H0/S0	R/W		
	3	OEIF	0	H0/S0	R/W		Cleared by writing 1.
	2	RB2FIF	0	H0/S0	R		Cleared by reading the UART2_nRXD register.
	1	RB1FIF	0	H0/S0	R		
0	TBEIF	1	H0/S0	R	Cleared by writing to the UART2_nTXD register.		

Bits 15–10 Reserved

Bit 9 RBSY

This bit indicates the receiving status. (See Figure 13.5.3.1.)

1 (R): During receiving

0 (R): Idle

Bit 8 TBSY

This bit indicates the sending status. (See Figure 13.5.2.1.)

1 (R): During sending

0 (R): Idle

Bit 7 Reserved

13 UART (UART2)

Bit 6 **TENDIF**
Bit 5 **FEIF**
Bit 4 **PEIF**
Bit 3 **OEIF**
Bit 2 **RB2FIF**
Bit 1 **RB1FIF**
Bit 0 **TBEIF**

These bits indicate the UART2 interrupt cause occurrence status.

1 (R): Cause of interrupt occurred
 0 (R): No cause of interrupt occurred
 1 (W): Clear flag
 0 (W): Ineffective

The following shows the correspondence between the bit and interrupt:

UART2_nINTF.TENDIF bit: End-of-transmission interrupt
 UART2_nINTF.FEIF bit: Framing error interrupt
 UART2_nINTF.PEIF bit: Parity error interrupt
 UART2_nINTF.OEIF bit: Overrun error interrupt
 UART2_nINTF.RB2FIF bit: Receive buffer two bytes full interrupt
 UART2_nINTF.RB1FIF bit: Receive buffer one byte full interrupt
 UART2_nINTF.TBEIF bit: Transmit buffer empty interrupt

UART2 Ch.n Interrupt Enable Register

Register name	Bit	Bit name	Initial	Reset	R/W	Remarks
UART2_nINTE	15-8	-	0x00	-	R	-
	7	-	0	-	R	
	6	TENDIE	0	H0	R/W	
	5	FEIE	0	H0	R/W	
	4	PEIE	0	H0	R/W	
	3	OEIE	0	H0	R/W	
	2	RB2FIE	0	H0	R/W	
	1	RB1FIE	0	H0	R/W	
	0	TBEIE	0	H0	R/W	

Bits 15-7 Reserved

Bit 6 **TENDIE**
Bit 5 **FEIE**
Bit 4 **PEIE**
Bit 3 **OEIE**
Bit 2 **RB2FIE**
Bit 1 **RB1FIE**
Bit 0 **TBEIE**

These bits enable UART2 interrupts.

1 (R/W): Enable interrupts
 0 (R/W): Disable interrupts

The following shows the correspondence between the bit and interrupt:

UART2_nINTE.TENDIE bit: End-of-transmission interrupt
 UART2_nINTE.FEIE bit: Framing error interrupt
 UART2_nINTE.PEIE bit: Parity error interrupt
 UART2_nINTE.OEIE bit: Overrun error interrupt
 UART2_nINTE.RB2FIE bit: Receive buffer two bytes full interrupt
 UART2_nINTE.RB1FIE bit: Receive buffer one byte full interrupt
 UART2_nINTE.TBEIE bit: Transmit buffer empty interrupt

UART2 Ch.*n* Transmit Buffer Empty DMA Request Enable Register

Register name	Bit	Bit name	Initial	Reset	R/W	Remarks
UART2_ <i>n</i> T BEDMAEN	15–0	TBEDMAEN[15:0]	0x0000	H0	R/W	–

Bits 15–0 TBEDMAEN[15:0]

These bits enable the UART2 to issue a DMA transfer request to the corresponding DMA controller channel (Ch.0–Ch.15) when a transmit buffer empty state has occurred.

1 (R/W): Enable DMA transfer request

0 (R/W): Disable DMA transfer request

Each bit corresponds to a DMA controller channel. The high-order bits for the unimplemented channels are ineffective.

UART2 Ch.*n* Receive Buffer One Byte Full DMA Request Enable Register

Register name	Bit	Bit name	Initial	Reset	R/W	Remarks
UART2_ <i>n</i> RB1FDMAEN	15–0	RB1FDMAEN[15:0]	0x0000	H0	R/W	–

Bits 15–0 RB1FDMAEN[15:0]

These bits enable the UART2 to issue a DMA transfer request to the corresponding DMA controller channel (Ch.0–Ch.15) when a receive buffer one byte full state has occurred.

1 (R/W): Enable DMA transfer request

0 (R/W): Disable DMA transfer request

Each bit corresponds to a DMA controller channel. The high-order bits for the unimplemented channels are ineffective.

14 Synchronous Serial Interface (SPIA)

14.1 Overview

SPIA is a synchronous serial interface. The features of SPIA are listed below.

- Supports both master and slave modes.
- Data length: 2 to 16 bits programmable
- Either MSB first or LSB first can be selected for the data format.
- Clock phase and polarity are configurable.
- Supports full-duplex communications.
- Includes separated transmit data buffer and receive data buffer registers.
- Can generate receive buffer full, transmit buffer empty, end of transmission, and overrun interrupts.
- Can issue a DMA transfer request when a receive buffer full or a transmit buffer empty occurs.
- Master mode allows use of a 16-bit timer to set baud rate.
- Slave mode is capable of being operated with the external input clock SPICLK_n only.
- Slave mode is capable of being operated in SLEEP mode allowing wake-up by an SPIA interrupt.
- Input pins can be pulled up/down with an internal resistor.

Figure 14.1.1 shows the SPIA configuration.

Table 14.1.1 SPIA Channel Configuration of S1C31W74

Item	S1C31W74
Number of channels	1 channel (Ch.0)
Internal clock input	Ch.0 ← 16-bit timer Ch.1

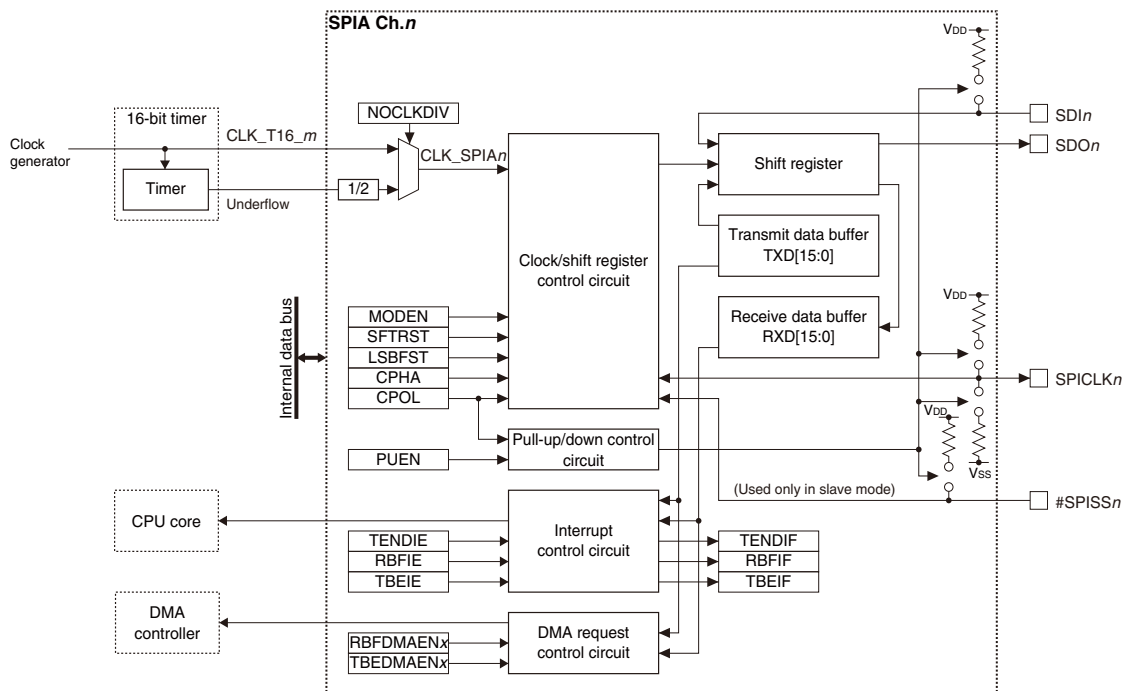


Figure 14.1.1 SPIA Configuration

14.2 Input/Output Pins and External Connections

14.2.1 List of Input/Output Pins

Table 14.2.1.1 lists the SPIA pins.

Table 14.2.1.1 List of SPIA Pins

Pin name	I/O*	Initial status*	Function
SDIn	I	I (Hi-Z)	SPIA Ch.n data input pin
SDOn	O or Hi-Z	Hi-Z	SPIA Ch.n data output pin
SPICLK _n	I or O	I (Hi-Z)	SPIA Ch.n external clock input/output pin
#SPISS _n	I	I (Hi-Z)	SPIA Ch.n slave select signal input pin

* Indicates the status when the pin is configured for SPIA.

If the port is shared with the SPIA pin and other functions, the SPIA input/output function must be assigned to the port before activating SPIA. For more information, refer to the “I/O Ports” chapter.

14.2.2 External Connections

SPIA operates in master mode or slave mode. Figures 14.2.2.1 and 14.2.2.2 show connection diagrams between SPIA in each mode and external SPI devices.

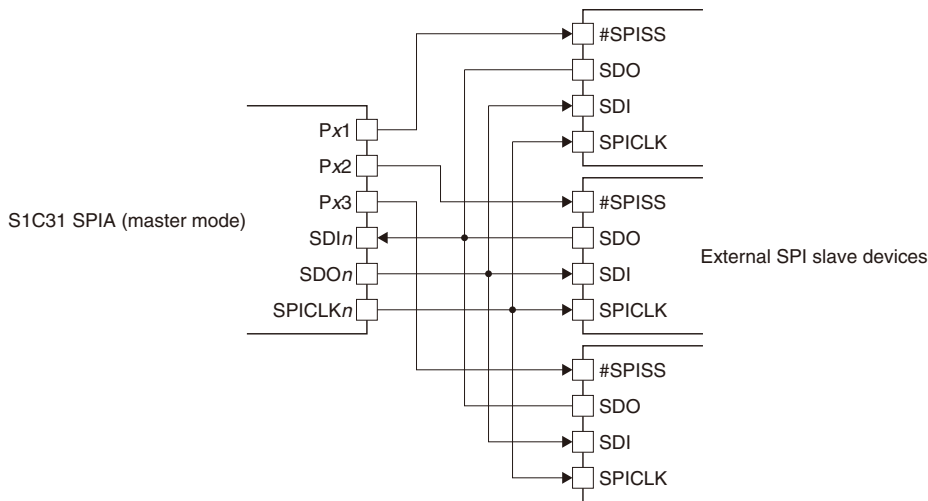


Figure 14.2.2.1 Connections between SPIA in Master Mode and External SPI Slave Devices

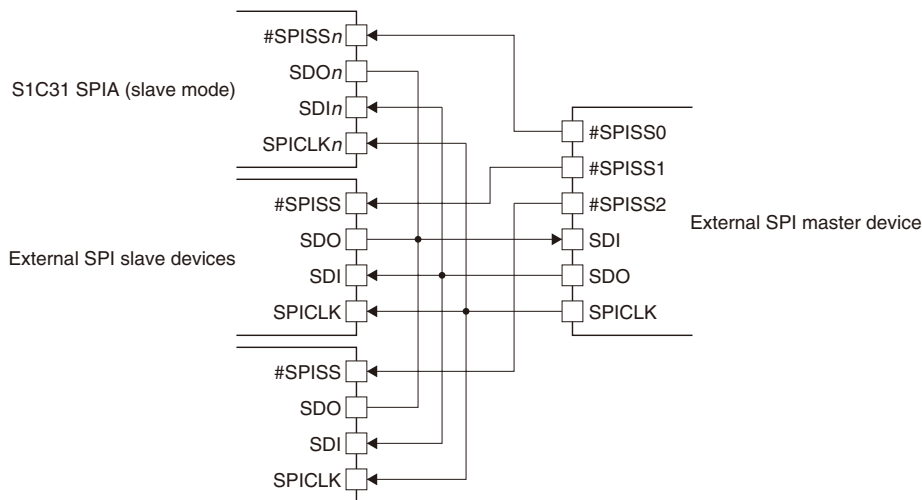


Figure 14.2.2.2 Connections between SPIA in Slave Mode and External SPI Master Device

14.2.3 Pin Functions in Master Mode and Slave Mode

The pin functions are changed according to the master or slave mode selection. The differences in pin functions between the modes are shown in Table 14.2.3.1.

Table 14.2.3.1 Pin Function Differences between Modes

Pin	Function in master mode	Function in slave mode
SDIn	Always placed into input state.	
SDOn	Always placed into output state.	This pin is placed into output state while a low level is applied to the #SPISSn pin or placed into Hi-Z state while a high level is applied to the #SPISSn pin.
SPICLK _n	Outputs the SPI clock to external devices. Output clock polarity and phase can be configured if necessary.	Inputs an external SPI clock. Clock polarity and phase can be designated according to the input clock.
#SPISS _n	Not used. This input function is not required to be assigned to the port. To output the slave select signal in master mode, use a general-purpose I/O port function.	Applying a low level to the #SPISSn pin enables SPIA to transmit/receive data. While a high level is applied to this pin, SPIA is not selected as a slave device. Data input to the SDIn pin and the clock input to the SPICLK _n pin are ignored. When a high level is applied, the transmit/receive bit count is cleared to 0 and the already received bits are discarded.

14.2.4 Input Pin Pull-Up/Pull-Down Function

The SPIA input pins (SDIn in master mode or SDIn, SPICLK_n, and #SPISS_n pins in slave mode) have a pull-up or pull-down function as shown in Table 14.2.4.1. This function is enabled by setting the SPIA_nMOD.PUEN bit to 1.

Table 14.2.4.1 Pull-Up or Pull-Down of Input Pins

Pin	Master mode	Slave mode
SDIn	Pull-up	Pull-up
SPICLK _n	–	SPIA_nMOD.CPOL bit = 1: Pull-up SPIA_nMOD.CPOL bit = 0: Pull-down
#SPISS _n	–	Pull-up

14.3 Clock Settings

14.3.1 SPIA Operating Clock

Operating clock in master mode

In master mode, the SPIA operating clock is supplied from the 16-bit timer. The following two options are provided for the clock configuration.

Use the 16-bit timer operating clock without dividing

By setting the SPIA_nMOD.NOCLKDIV bit to 1, the operating clock CLK_T16_m, which is configured by selecting a clock source and a division ratio, for the 16-bit timer channel corresponding to the SPIA channel is input to SPIA as CLK_SPIA_n. Since this clock is also used as the SPI clock SPICLK_n without changing, the CLK_SPIA_n frequency becomes the baud rate.

To supply CLK_SPIA_n to SPIA, the 16-bit timer clock source must be enabled in the clock generator. It does not matter how the T16_mCTL.MODEN and T16_mCTL.PRUN bits of the corresponding 16-bit timer channel are set (1 or 0).

When setting this mode, the timer function of the corresponding 16-bit timer channel may be used for another purpose.

Use the 16-bit timer as a baud rate generator

By setting the SPIA_nMOD.NOCLKDIV bit to 0, SPIA inputs the underflow signal generated by the corresponding 16-bit timer channel and converts it to the SPICLK_n. The 16-bit timer must be run with an appropriate reload data set. The SPICLK_n frequency (baud rate) and the 16-bit timer reload data are calculated by the equations shown below.

14 SYNCHRONOUS SERIAL INTERFACE (SPIA)

$$f_{\text{SPICLK}} = \frac{f_{\text{CLK_SPIA}}}{2 \times (\text{RLD} + 1)} \qquad \text{RLD} = \frac{f_{\text{CLK_SPIA}}}{f_{\text{SPICLK}} \times 2} - 1 \qquad (\text{Eq. 14.1})$$

Where

f_{SPICLK} : SPICLK n frequency [Hz] (= baud rate [bps])

$f_{\text{CLK_SPIA}}$: SPIA operating clock frequency [Hz]

RLD: 16-bit timer reload data value

For controlling the 16-bit timer, refer to the “16-bit Timers” chapter.

Operating clock in slave mode

SPIA set in slave mode operates with the clock supplied from the external SPI master to the SPICLK n pin. The 16-bit timer channel (including the clock source selector and the divider) corresponding to the SPIA channel is not used. Furthermore, the SPIA $_n$ MOD.NOCLKDIV bit setting becomes ineffective.

SPIA keeps operating using the clock supplied from the external SPI master even if all the internal clocks halt during SLEEP mode, so SPIA can receive data and can generate receive buffer full interrupts.

14.3.2 Clock Supply During Debugging

In master mode, the operating clock supply during debugging should be controlled using the T16 $_m$ CLK.DBRUN bit.

The CLK_T16 $_m$ supply to SPIA Ch. n is suspended when the CPU enters debug state if the T16 $_m$ CLK.DBRUN bit = 0. After the CPU returns to normal operation, the CLK_T16 $_m$ supply resumes. Although SPIA Ch. n stops operating when the CLK_T16 $_m$ supply is suspended, the output pins and registers retain the status before the debug state was entered. If the T16 $_m$ CLK.DBRUN bit = 1, the CLK_T16 $_m$ supply is not suspended and SPIA Ch. n will keep operating in a debug state.

SPIA in slave mode operates with the external SPI master clock input from the SPICLK n pin regardless of whether the CPU is placed into debug state or normal operation state.

14.3.3 SPI Clock (SPICLK n) Phase and Polarity

The SPICLK n phase and polarity can be configured separately using the SPIA $_n$ MOD.CPHA bit and the SPIA $_n$ MOD.CPOL bit, respectively. Figure 14.3.3.1 shows the clock waveform and data input/output timing in each setting.

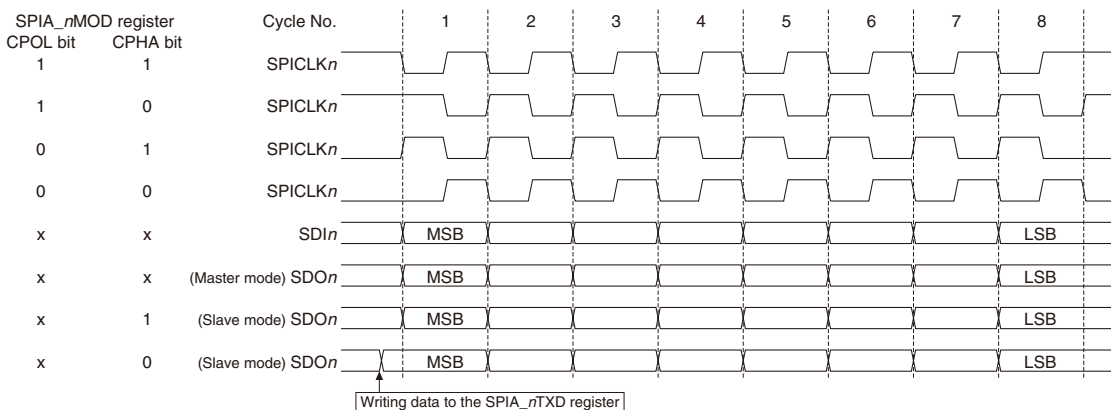


Figure 14.3.3.1 SPI Clock Phase and Polarity (SPIA $_n$ MOD.LSBFST bit = 0, SPIA $_n$ MOD.CHLN[3:0] bits = 0x7)

14.4 Data Format

The SPIA data length can be selected from 2 bits to 16 bits by setting the SPIA_nMOD.CHNLN[3:0] bits. The input/output permutation is configurable to MSB first or LSB first using the SPIA_nMOD.LSBFST bit. Figure 14.4.1 shows a data format example when the SPIA_nMOD.CHNLN[3:0] bits = 0x7, the SPIA_nMOD.CPOL bit = 0 and the SPIA_nMOD.CPHA bit = 0.

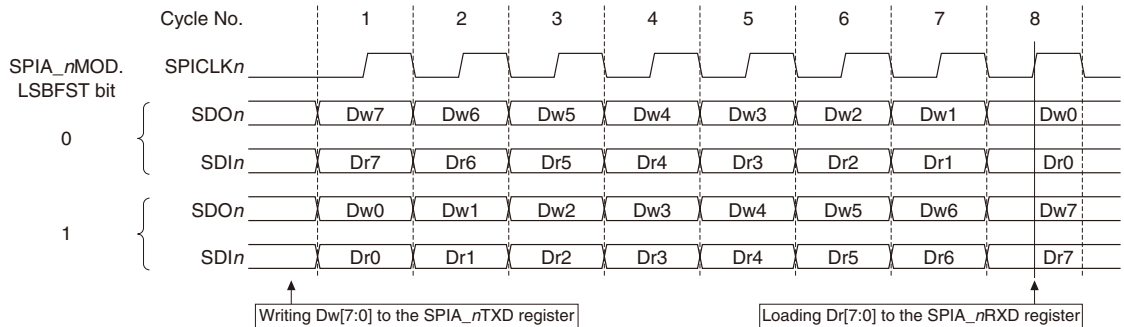


Figure 14.4.1 Data Format Selection Using the SPIA_nMOD.LSBFST Bit
(SPIA_nMOD.CHNLN[3:0] bits = 0x7, SPIA_nMOD.CPOL bit = 0, SPIA_nMOD.CPHA bit = 0)

14.5 Operations

14.5.1 Initialization

SPIA Ch.n should be initialized with the procedure shown below.

1. <Master mode only> Generate a clock by controlling the 16-bit timer and supply it to SPIA Ch.n.
2. Configure the following SPIA_nMOD register bits:
 - SPIA_nMOD.PUEN bit (Enable input pin pull-up/down)
 - SPIA_nMOD.NOCLKDIV bit (Select master mode operating clock)
 - SPIA_nMOD.LSBFST bit (Select MSB first/LSB first)
 - SPIA_nMOD.CPHA bit (Select clock phase)
 - SPIA_nMOD.CPOL bit (Select clock polarity)
 - SPIA_nMOD.MST bit (Select master/slave mode)
3. Assign the SPIA Ch.n input/output function to the ports. (Refer to the "I/O Ports" chapter.)
4. Set the following SPIA_nCTL register bits:
 - Set the SPIA_nCTL.SFTRST bit to 1. (Execute software reset)
 - Set the SPIA_nCTL.MODEN bit to 1. (Enable SPIA Ch.n operations)
5. Set the following bits when using the interrupt:
 - Write 1 to the interrupt flags in the SPIA_nINTF register. (Clear interrupt flags)
 - Set the interrupt enable bits in the SPIA_nINTE register to 1. * (Enable interrupts)

* The initial value of the SPIA_nINTF.TBEIF bit is 1, therefore, an interrupt will occur immediately after the SPIA_nINTE.TBEIE bit is set to 1.
6. Configure the DMA controller and set the following SPIA control bits when using DMA transfer:
 - Write 1 to the DMA transfer request enable bits in the SPIA_nTBEDMAEN and SPIA_nRBFDMAEN registers. (Enable DMA transfer requests)

14.5.2 Data Transmission in Master Mode

A data sending procedure and operations in master mode are shown below. Figures 14.5.2.1 and 14.5.2.2 show a timing chart and a flowchart, respectively.

Data sending procedure

1. Assert the slave select signal by controlling the general-purpose output port (if necessary).
2. Check to see if the SPIA_nINTF.TBEIF bit is set to 1 (transmit buffer empty).
3. Write transmit data to the SPIA_nTXD register.
4. Wait for an SPIA interrupt when using the interrupt.
5. Repeat Steps 2 to 4 (or 2 and 3) until the end of transmit data.
6. Negate the slave select signal by controlling the general-purpose output port (if necessary).

Data sending operations

SPIA Ch.n starts data sending operations when transmit data is written to the SPIA_nTXD register.

The transmit data in the SPIA_nTXD register is automatically transferred to the shift register and the SPIA_nINTF.TBEIF bit is set to 1. If the SPIA_nINTE.TBEIE bit = 1 (transmit buffer empty interrupt enabled), a transmit buffer empty interrupt occurs at the same time.

The SPICLK_n pin outputs clocks of the number of the bits specified by the SPIA_nMOD.CHLN[3:0] bits and the transmit data bits are output in sequence from the SDO_n pin in sync with these clocks.

Even if the clock is being output from the SPICLK_n pin, the next transmit data can be written to the SPIA_nTXD register after making sure the SPIA_nINTF.TBEIF bit is set to 1.

If transmit data has not been written to the SPIA_nTXD register after the last clock is output from the SPICLK_n pin, the clock output halts and the SPIA_nINTF.TENDIF bit is set to 1. At the same time SPIA issues an end-of-transmission interrupt request if the SPIA_nINTE.TENDIE bit = 1.

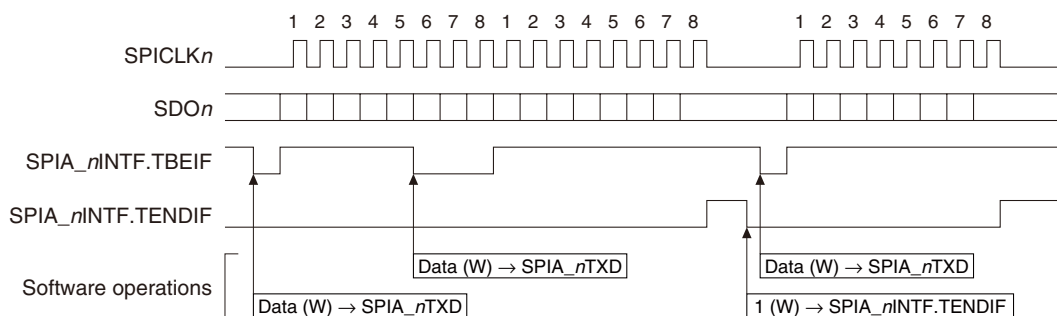


Figure 14.5.2.1 Example of Data Sending Operations in Master Mode (SPIA_nMOD.CHLN[3:0] bits = 0x7)

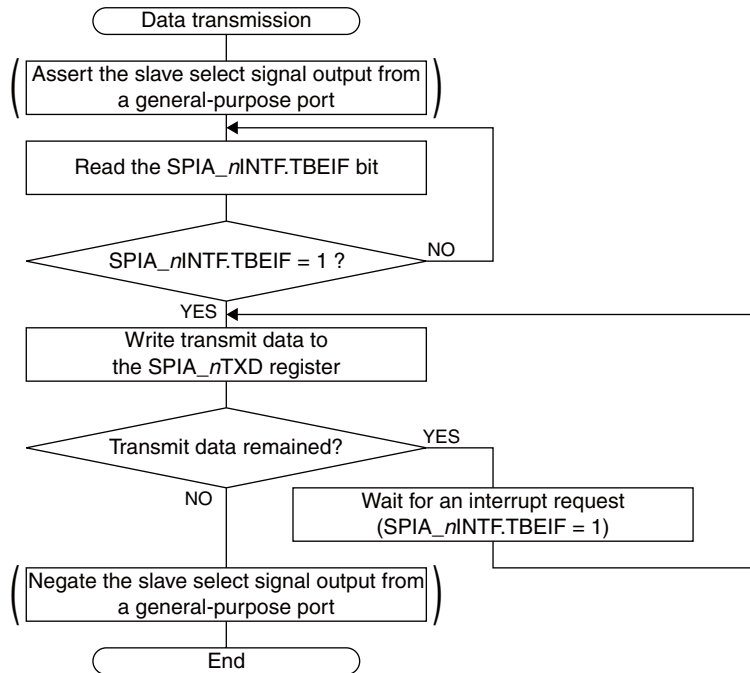


Figure 14.5.2.2 Data Transmission Flowchart in Master Mode

Data transmission using DMA

By setting the SPIA_nTBEDMAEN.TBEDMAEN_x bit to 1 (DMA transfer request enabled), a DMA transfer request is sent to the DMA controller and transmit data is transferred from the specified memory to the SPIA_nTXD register via DMA Ch._x when the SPIA_nINTF.TBEIF bit is set to 1 (transmit buffer empty).

This automates the procedure from Step 2 to Step 5 described above.

The transfer source/destination and control data must be set for the DMA controller and the relevant DMA channel must be enabled to start a DMA transfer in advance so that transmit data will be transferred to the SPIA_nTXD register. For more information on DMA, refer to the “DMA Controller” chapter.

Table 14.5.2.1 DMA Data Structure Configuration Example (for 16-bit Data Transmission)

	Item	Setting example
End pointer	Transfer source	Memory address in which the last transmit data is stored
	Transfer destination	SPIA_nTXD register address
Control data	dst_inc	0x3 (no increment)
	dst_size	0x1 (halfword)
	src_inc	0x1 (+2)
	src_size	0x1 (halfword)
	R_power	0x0 (arbitrated for every transfer)
	n_minus_1	Number of transfer data
	cycle_ctrl	0x1 (basic transfer)

14.5.3 Data Reception in Master Mode

A data receiving procedure and operations in master mode are shown below. Figures 14.5.3.1 and 14.5.3.2 show a timing chart and flowcharts, respectively.

Data receiving procedure

1. Assert the slave select signal by controlling the general-purpose output port (if necessary).
2. Check to see if the SPIA_nINTF.TBEIF bit is set to 1 (transmit buffer empty).
3. Write dummy data (or transmit data) to the SPIA_nTXD register.
4. Wait for a transmit buffer empty interrupt (SPIA_nINTF.TBEIF bit = 1).
5. Write dummy data (or transmit data) to the SPIA_nTXD register.
6. Wait for a receive buffer full interrupt (SPIA_nINTF.RBFIF bit = 1).
7. Read the received data from the SPIA_nRXD register.
8. Repeat Steps 5 to 7 until the end of data reception.
9. Negate the slave select signal by controlling the general-purpose output port (if necessary).

Note: To perform continuous data reception without stopping SPICLK_n, Steps 7 and 5 operations must be completed within the SPICLK_n cycles equivalent to “Data bit length - 1” after Step 6.

Data receiving operations

SPIA Ch.*n* starts data receiving operations simultaneously with data sending operations when transmit data (may be dummy data if data transmission is not required) is written to the SPIA_nTXD register.

The SPICLK_n pin outputs clocks of the number of the bits specified by the SPIA_nMOD.CHLN[3:0] bits. The transmit data bits are output in sequence from the SDO_n pin in sync with these clocks and the receive data bits input from the SDI_n pin are shifted into the shift register.

When the last clock is output from the SPICLK_n pin and receive data bits are all shifted into the shift register, the received data is transferred to the receive data buffer and the SPIA_nINTF.RBFIF bit is set to 1. At the same time SPIA issues a receive buffer full interrupt request if the SPIA_nINTE.RBFIE bit = 1. After that, the received data in the receive data buffer can be read through the SPIA_nRXD register.

Note: If data of the number of the bits specified by the SPIA_nMOD.CHLN[3:0] bits is received when the SPIA_nINTF.RBFIF bit is set to 1, the SPIA_nRXD register is overwritten with the newly received data and the previously received data is lost. In this case, the SPIA_nINTF.OEIF bit is set.

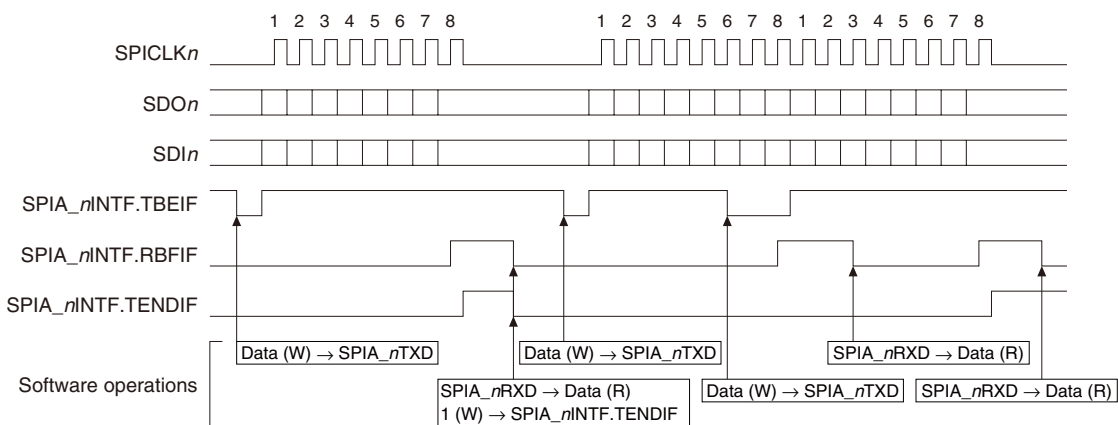


Figure 14.5.3.1 Example of Data Receiving Operations in Master Mode (SPIA_nMOD.CHLN[3:0] bits = 0x7)

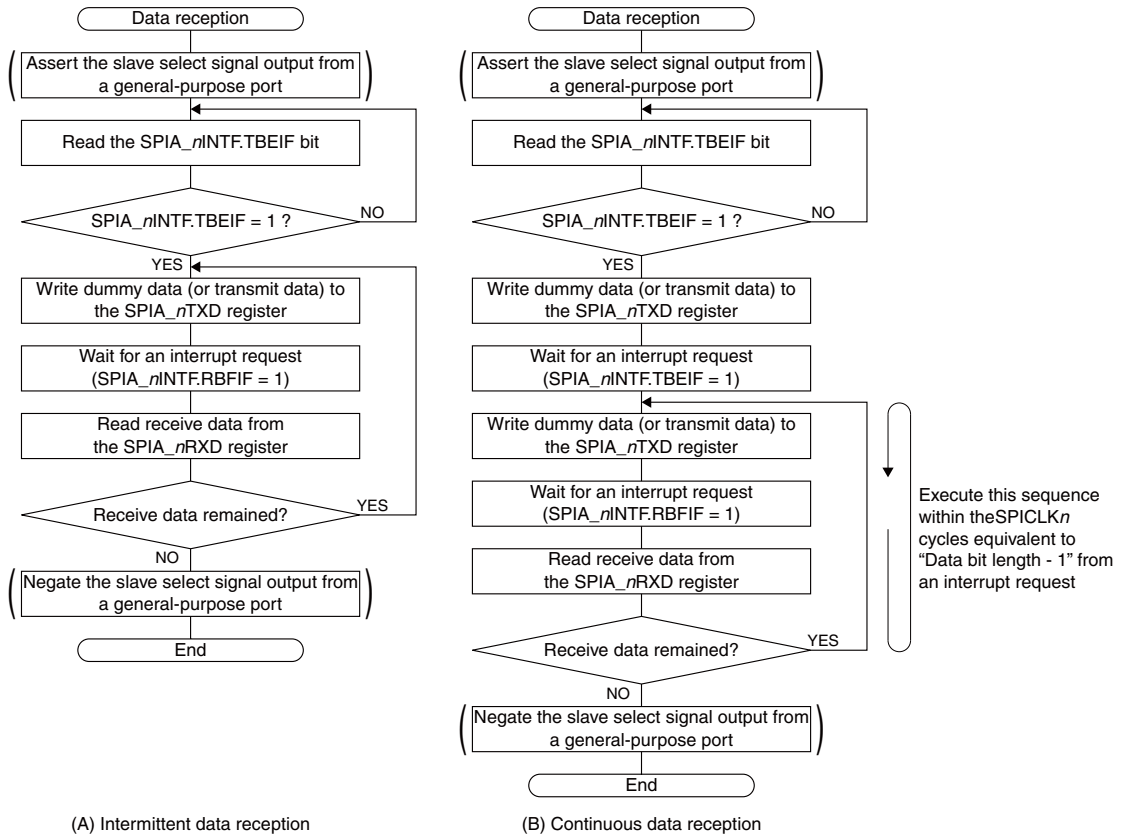


Figure 14.5.3.2 Data Reception Flowcharts in Master Mode

Data reception using DMA

For data reception, two DMA controller channels should be used to write dummy data to the SPIA_nTXD register as a reception start trigger and to read the received data from the SPIA_nRXD register.

By setting the SPIA_nTBEDMAEN.TBEDMAEN:x1 bit to 1 (DMA transfer request enabled), a DMA transfer request is sent to the DMA controller and dummy data is transferred from the specified memory to the SPIA_nTXD register via DMA Ch.x1 when the SPIA_nINTF.TBEIF bit is set to 1 (transmit buffer empty).

By setting the SPIA_nRBFDMAEN.RBFDMAEN:x2 bit to 1 (DMA transfer request enabled), a DMA transfer request is sent to the DMA controller and the received data is transferred from the SPIA_nRXD register to the specified memory via DMA Ch.x2 when the SPIA_nINTF.RBFIF bit is set to 1 (receive buffer full).

This automates the procedure from Step 2 to Step 8 described above.

The transfer source/destination and control data must be set for the DMA controller and the relevant DMA channel must be enabled to start a DMA transfer in advance. For more information on DMA, refer to the “DMA Controller” chapter.

Table 14.5.3.1 DMA Data Structure Configuration Example (for Writing 16-bit Dummy Transmit Data)

	Item	Setting example
End pointer	Transfer source	Memory address in which dummy data is stored
	Transfer destination	SPIA_nTXD register address
Control data	dst_inc	0x3 (no increment)
	dst_size	0x1 (halfword)
	src_inc	0x3 (no increment)
	src_size	0x1 (halfword)
	R_power	0x0 (arbitrated for every transfer)
	n_minus_1	Number of transfer data
	cycle_ctrl	0x1 (basic transfer)

14 SYNCHRONOUS SERIAL INTERFACE (SPIA)

Table 14.5.3.2 DMA Data Structure Configuration Example (for 16-bit Data Reception)

	Item	Setting example
End pointer	Transfer source	SPIA_nRXD register address
	Transfer destination	Memory address to which the last received data is stored
Control data	dst_inc	0x1 (+2)
	dst_size	0x1 (halfword)
	src_inc	0x3 (no increment)
	src_size	0x1 (halfword)
	R_power	0x0 (arbitrated for every transfer)
	n_minus_1	Number of transfer data
	cycle_ctrl	0x1 (basic transfer)

14.5.4 Terminating Data Transfer in Master Mode

A procedure to terminate data transfer in master mode is shown below.

1. Wait for an end-of-transmission interrupt (SPIA_nINTF.TENDIF bit = 1).
2. Set the SPIA_nCTL.MODEN bit to 0 to disable the SPIA Ch.n operations.
3. Stop the 16-bit timer to disable the clock supply to SPIA Ch.n.

14.5.5 Data Transfer in Slave Mode

A data sending/receiving procedure and operations in slave mode are shown below. Figures 14.5.5.1 and 14.5.5.2 show a timing chart and flowcharts, respectively.

Data sending procedure

1. Check to see if the SPIA_nINTF.TBEIF bit is set to 1 (transmit buffer empty).
2. Write transmit data to the SPIA_nTXD register.
3. Wait for a transmit buffer empty interrupt (SPIA_nINTF.TBEIF bit = 1).
4. Repeat Steps 2 and 3 until the end of transmit data.

Note: Transmit data must be written to the SPIA_nTXD register after the SPIA_nINTF.TBEIF bit is set to 1 by the time the sending SPIA_nTXD register data written is completed. If no transmit data is written during this period, the data bits input from the SDIn pin are shifted and output from the SDO_n pin without being modified.

Data receiving procedure

1. Wait for a receive buffer full interrupt (SPIA_nINTF.RBFIF bit = 1).
2. Read the received data from the SPIA_nRXD register.
3. Repeat Steps 1 and 2 until the end of data reception.

Data transfer operations

The following shows the slave mode operations different from master mode:

- Slave mode operates with the SPI clock supplied from the external SPI master to the SPICLK_n pin.
The data transfer rate is determined by the SPICLK_n frequency. It is not necessary to control the 16-bit timer.
- SPIA can operate as a slave device only when the slave select signal input from the external SPI master to the #SPISS_n pin is set to the active (low) level.
If #SPISS_n = high, the software transfer control, the SPICLK_n pin input, and the SDIn pin input are all ineffective. If the #SPISS_n signal goes high during data transfer, the transfer bit counter is cleared and data in the shift register is discarded.
- Slave mode starts data transfer when SPICLK_n is input from the external SPI master after the #SPISS_n signal is asserted. Writing transmit data is not a trigger to start data transfer. Therefore, it is not necessary to write dummy data to the transmit data buffer when performing data reception only.

- Data transmission/reception can be performed even in SLEEP mode, it makes it possible to wake the CPU up using an SPIA interrupt.

Other operations are the same as master mode.

- Notes:**
- If data of the number of bits specified by the SPIA_nMOD.CHLN[3:0] bits is received when the SPIA_nINTF.RBFIF bit is set to 1, the SPIA_nRXD register is overwritten with the newly received data and the previously received data is lost. In this case, the SPIA_nINTF.OEIF bit is set.
 - When the clock for the first bit is input from the SPICLK_n pin, SPIA starts sending the data currently stored in the shift register even if the SPIA_nINTF.TBEIF bit is set to 1.

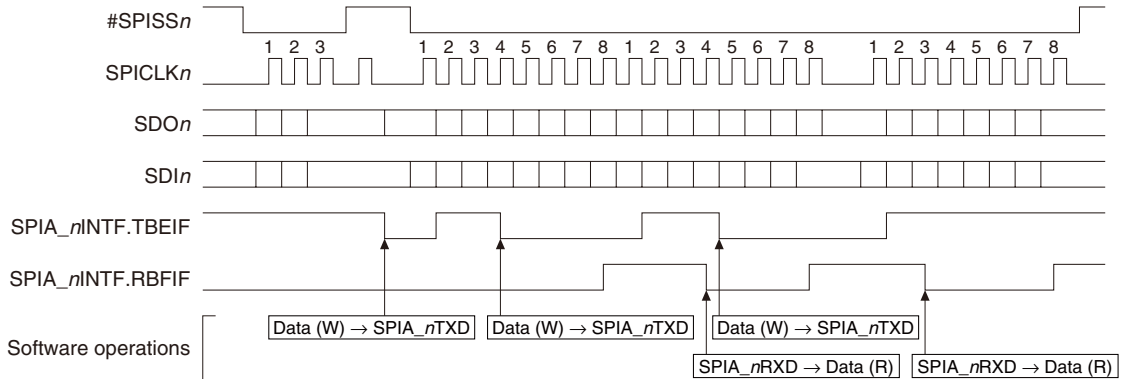


Figure 14.5.5.1 Example of Data Transfer Operations in Slave Mode (SPIA_nMOD.CHLN[3:0] bits = 0x7)

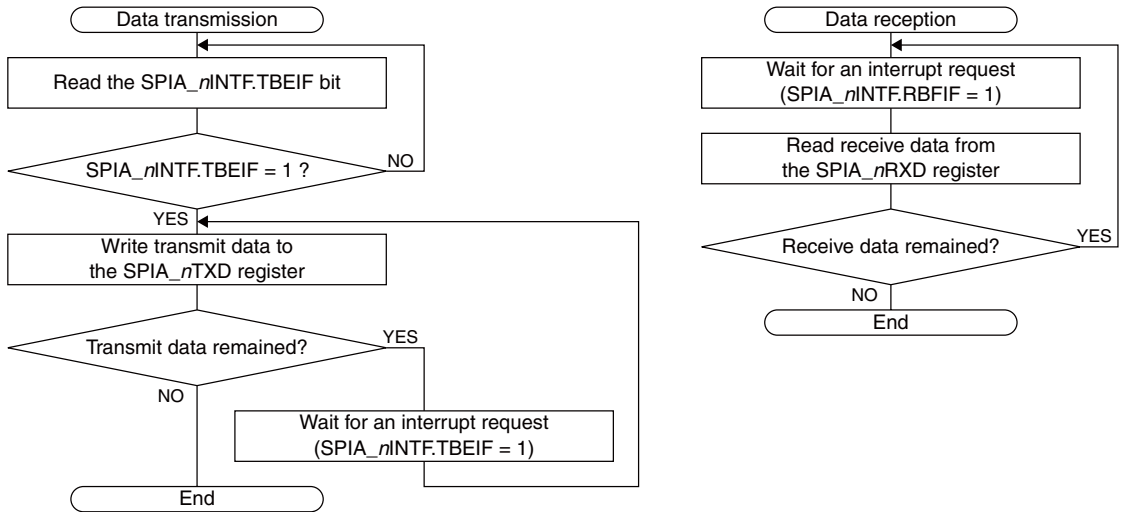


Figure 14.5.5.2 Data Transfer Flowcharts in Slave Mode

14.5.6 Terminating Data Transfer in Slave Mode

A procedure to terminate data transfer in slave mode is shown below.

1. Wait for an end-of-transmission interrupt (SPIA_nINTF.TENDIF bit = 1). Or determine end of transfer via the received data.
2. Set the SPIA_nCTL.MODEN bit to 0 to disable the SPIA Ch.*n* operations.

14.6 Interrupts

SPIA has a function to generate the interrupts shown in Table 14.6.1.

Table 14.6.1 SPIA Interrupt Function

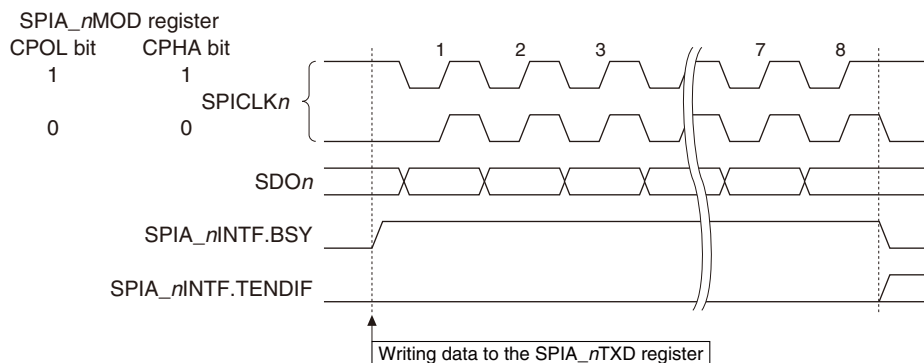
Interrupt	Interrupt flag	Set condition	Clear condition
End of transmission	SPIA_nINTF.TENDIF	When the SPIA_nINTF.TBEIF bit = 1 after data of the specified bit length (defined by the SPIA_nMOD.CHLN[3:0] bits) has been sent	Writing 1
Receive buffer full	SPIA_nINTF.RBFIF	When data of the specified bit length is received and the received data is transferred from the shift register to the received data buffer	Reading the SPIA_nRXD register
Transmit buffer empty	SPIA_nINTF.TBEIF	When transmit data written to the transmit data buffer is transferred to the shift register	Writing to the SPIA_nTXD register
Overrun error	SPIA_nINTF.OEIF	When the receive data buffer is full (when the received data has not been read) at the point that receiving data to the shift register has completed	Writing 1

SPIA provides interrupt enable bits corresponding to each interrupt flag. An interrupt request is sent to the CPU core only when the interrupt flag, of which interrupt has been enabled by the interrupt enable bit, is set. For more information on interrupt control, refer to the “Interrupt” chapter.

The SPIA_nINTF register also contains the BSY bit that indicates the SPIA operating status.

Figure 14.6.1 shows the SPIA_nINTF.BSY and SPIA_nINTF.TENDIF bit set timings.

Master mode



Slave mode

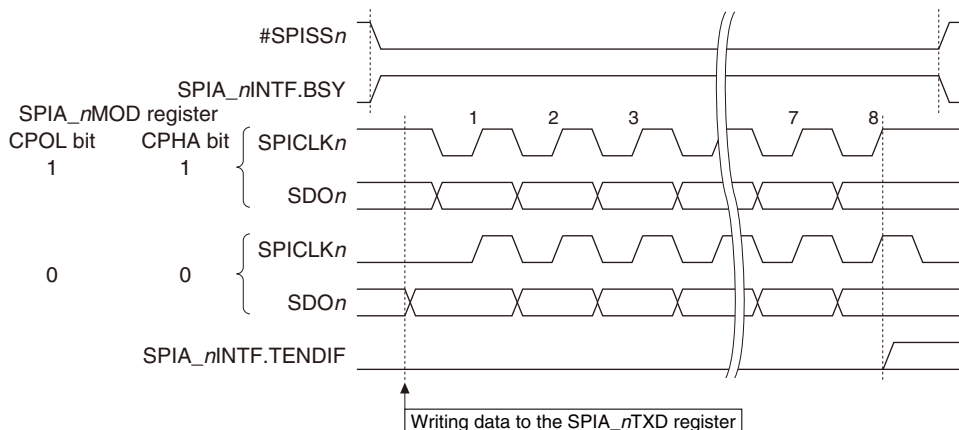


Figure 14.6.1 SPIA_nINTF.BSY and SPIA_nINTF.TENDIF Bit Set Timings (when SPIA_nMOD.CHLN[3:0] bits = 0x7)

14.7 DMA Transfer Requests

The SPIA has a function to generate DMA transfer requests from the causes shown in Table 14.7.1.

Table 14.7.1 DMA Transfer Request Causes of SPIA

Cause to request DMA transfer	DMA transfer request flag	Set condition	Clear condition
Receive buffer full	Receive buffer full flag (SPIA_nINTF.RBFIF)	When data of the specified bit length is received and the received data is transferred from the shift register to the received data buffer	Reading the SPIA_nRXD register
Transmit buffer empty	Transmit buffer empty flag (SPIA_nINTF.TBEIF)	When transmit data written to the transmit data buffer is transferred to the shift register	Writing to the SPIA_nTXD register

The SPIA provides DMA transfer request enable bits corresponding to each DMA transfer request flag shown above for the number of DMA channels. A DMA transfer request is sent to the pertinent channel of the DMA controller only when the DMA transfer request flag, of which DMA transfer has been enabled by the DMA transfer request enable bit, is set. The DMA transfer request flag also serves as an interrupt flag, therefore, both the DMA transfer request and the interrupt cannot be enabled at the same time. After a DMA transfer has completed, disable the DMA transfer to prevent unintended DMA transfer requests from being issued. For more information on the DMA control, refer to the “DMA Controller” chapter.

14.8 Control Registers

SPIA Ch.n Mode Register

Register name	Bit	Bit name	Initial	Reset	R/W	Remarks
SPIA_nMOD	15–12	–	0x0	–	R	–
	11–8	CHLN[3:0]	0x7	H0	R/W	
	7–6	–	0x0	–	R	
	5	PUEN	0	H0	R/W	
	4	NOCLKDIV	0	H0	R/W	
	3	LSBFST	0	H0	R/W	
	2	CPHA	0	H0	R/W	
	1	CPOL	0	H0	R/W	
0	MST	0	H0	R/W		

Bits 15–12 Reserved

Bits 11–8 CHLN[3:0]

These bits set the bit length of transfer data.

Table 14.8.1 Data Bit Length Settings

SPIA_nMOD.CHLN[3:0] bits	Data bit length
0xf	16 bits
0xe	15 bits
0xd	14 bits
0xc	13 bits
0xb	12 bits
0xa	11 bits
0x9	10 bits
0x8	9 bits
0x7	8 bits
0x6	7 bits
0x5	6 bits
0x4	5 bits
0x3	4 bits
0x2	3 bits
0x1	2 bits
0x0	Setting prohibited

14 SYNCHRONOUS SERIAL INTERFACE (SPIA)

Bits 7–6 Reserved

Bit 5 PUEN

This bit enables pull-up/down of the input pins.

1 (R/W): Enable pull-up/down

0 (R/W): Disable pull-up/down

For more information, refer to “Input Pin Pull-Up/Pull-Down Function.”

Bit 4 NOCLKDIV

This bit selects SPICLK_n in master mode. This setting is ineffective in slave mode.

1 (R/W): SPICLK_n frequency = CLK_SPIA_n frequency (= 16-bit timer operating clock frequency)

0 (R/W): SPICLK_n frequency = 16-bit timer output frequency / 2

For more information, refer to “SPIA Operating Clock.”

Bit 3 LSBFST

This bit configures the data format (input/output permutation).

1 (R/W): LSB first

0 (R/W): MSB first

Bit 2 CPHA

Bit 1 CPOL

These bits set the SPI clock phase and polarity. For more information, refer to “SPI Clock (SPICLK_n) Phase and Polarity.”

Bit 0 MST

This bit sets the SPIA operating mode (master mode or slave mode).

1 (R/W): Master mode

0 (R/W): Slave mode

Note: The SPIA_nMOD register settings can be altered only when the SPIA_nCTL.MODEN bit = 0.

SPIA Ch.*n* Control Register

Register name	Bit	Bit name	Initial	Reset	R/W	Remarks
SPIA _n CTL	15–8	–	0x00	–	R	–
	7–2	–	0x00	–	R	
	1	SFTRST	0	H0	R/W	
	0	MODEN	0	H0	R/W	

Bits 15–2 Reserved

Bit 1 SFTRST

This bit issues software reset to SPIA.

1 (W): Issue software reset

0 (W): Ineffective

1 (R): Software reset is executing.

0 (R): Software reset has finished. (During normal operation)

Setting this bit resets the SPIA shift register and transfer bit counter. This bit is automatically cleared after the reset processing has finished.

Bit 0 MODEN

This bit enables the SPIA operations.

1 (R/W): Enable SPIA operations (In master mode, the operating clock is supplied.)

0 (R/W): Disable SPIA operations (In master mode, the operating clock is stopped.)

Note: If the SPIA_nCTL.MODEN bit is altered from 1 to 0 while sending/receiving data, the data being sent/received cannot be guaranteed. When setting the SPIA_nCTL.MODEN bit to 1 again after that, be sure to write 1 to the SPIA_nCTL.SFTRST bit as well.

SPIA Ch.n Transmit Data Register

Register name	Bit	Bit name	Initial	Reset	R/W	Remarks
SPIA_nTXD	15–0	TXD[15:0]	0x0000	H0	R/W	–

Bits 15–0 TXD[15:0]

Data can be written to the transmit data buffer through these bits.

In master mode, writing to these bits starts data transfer.

Transmit data can be written when the SPIA_nINTF.TBEIF bit = 1 regardless of whether data is being output from the SDO_n pin or not.

Note that the upper data bits that exceed the data bit length configured by the SPIA_nMOD.CHLN[3:0] bits will not be output from the SDO_n pin.

Note: Be sure to avoid writing to the SPIA_nTXD register when the SPIA_nINTF.TBEIF bit = 0. Otherwise, transfer data cannot be guaranteed.

SPIA Ch.n Receive Data Register

Register name	Bit	Bit name	Initial	Reset	R/W	Remarks
SPIA_nRXD	15–0	RXD[15:0]	0x0000	H0	R	–

Bits 15–0 RXD[15:0]

The receive data buffer can be read through these bits. Received data can be read when the SPIA_nINTF.RBFIF bit = 1 regardless of whether data is being input from the SDI_n pin or not. Note that the upper bits that exceed the data bit length configured by the SPIA_nMOD.CHLN[3:0] bits become 0.

SPIA Ch.n Interrupt Flag Register

Register name	Bit	Bit name	Initial	Reset	R/W	Remarks
SPIA_nINTF	15–8	–	0x00	–	R	–
	7	BSY	0	H0	R	
	6–4	–	0x0	–	R	
	3	OEIF	0	H0/S0	R/W	Cleared by writing 1.
	2	TENDIF	0	H0/S0	R/W	
	1	RBFIF	0	H0/S0	R	Cleared by reading the SPIA_nRXD register.
0	TBEIF	1	H0/S0	R	Cleared by writing to the SPIA_nTXD register.	

Bits 15–8 Reserved

Bit 7 BSY

This bit indicates the SPIA operating status.

1 (R): Transmit/receive busy (master mode), #SPISS_n = Low level (slave mode)

0 (R): Idle

Bits 6–4 Reserved

Bit 3 OEIF

Bit 2 TENDIF

Bit 1 RBFIF

Bit 0 TBEIF

These bits indicate the SPIA interrupt cause occurrence status.

1 (R): Cause of interrupt occurred

0 (R): No cause of interrupt occurred

1 (W): Clear flag (OEIF, TENDIF)

0 (W): Ineffective

14 SYNCHRONOUS SERIAL INTERFACE (SPIA)

The following shows the correspondence between the bit and interrupt:

SPIA_nINTF.OEIF bit: Overrun error interrupt
 SPIA_nINTF.TENDIF bit: End-of-transmission interrupt
 SPIA_nINTF.RBFIF bit: Receive buffer full interrupt
 SPIA_nINTF.TBEIF bit: Transmit buffer empty interrupt

SPIA Ch.n Interrupt Enable Register

Register name	Bit	Bit name	Initial	Reset	R/W	Remarks
SPIA_nINTE	15–8	–	0x00	–	R	–
	7–4	–	0x0	–	R	
	3	OEIE	0	H0	R/W	
	2	TENDIE	0	H0	R/W	
	1	RBFIE	0	H0	R/W	
	0	TBEIE	0	H0	R/W	

Bits 15–4 Reserved

Bit 3 OEIE
Bit 2 TENDIE
Bit 1 RBFIE
Bit 0 TBEIE

These bits enable SPIA interrupts.

1 (R/W): Enable interrupts

0 (R/W): Disable interrupts

The following shows the correspondence between the bit and interrupt:

SPIA_nINTE.OEIE bit: Overrun error interrupt
 SPIA_nINTE.TENDIE bit: End-of-transmission interrupt
 SPIA_nINTE.RBFIE bit: Receive buffer full interrupt
 SPIA_nINTE.TBEIE bit: Transmit buffer empty interrupt

SPIA Ch.n Transmit Buffer Empty DMA Request Enable Register

Register name	Bit	Bit name	Initial	Reset	R/W	Remarks
SPIA_nTBEDMAEN	15–0	TBEDMAEN[15:0]	0x0000	H0	R/W	–

Bits 15–0 TBEDMAEN[15:0]

These bits enable the SPIA to issue a DMA transfer request to the corresponding DMA channel (Ch.0–Ch.15) when a transmit buffer empty state has occurred.

1 (R/W): Enable DMA transfer request

0 (R/W): Disable DMA transfer request

Each bit corresponds to a DMA controller channel. The high-order bits for the unimplemented channels are ineffective.

SPIA Ch.n Receive Buffer Full DMA Request Enable Register

Register name	Bit	Bit name	Initial	Reset	R/W	Remarks
SPIA_nRBFDMAEN	15–0	RBFDMAEN[15:0]	0x0000	H0	R/W	–

Bits 15–0 RBFDMAEN[15:0]

These bits enable the SPIA to issue a DMA transfer request to the corresponding DMA channel (Ch.0–Ch.15) when a receive buffer full state has occurred.

1 (R/W): Enable DMA transfer request

0 (R/W): Disable DMA transfer request

Each bit corresponds to a DMA controller channel. The high-order bits for the unimplemented channels are ineffective.

15 Quad Synchronous Serial Interface (QSPI)

15.1 Overview

The QSPI is a quad synchronous serial interface. The features of the QSPI are listed below.

- Supports both master and slave modes.
- Supports single, dual, and quad transfer modes.
- Data length: 2 to 16 clocks programmable.
- Data line drive length: 1 to 16 clocks programmable (for output direction only).
- Either MSB first or LSB first can be selected for the data format.
- Clock phase and polarity are configurable.
- Supports full-duplex communications.
- Includes separated transmit data buffer and receive data buffer registers.
- Can generate receive buffer full, transmit buffer empty, end of transmission, and overrun interrupts.
- Master mode allows use of a 16-bit timer to set baud rate.
- Slave mode is capable of being operated with the external input clock QSPICLK n only.
- Slave mode is capable of being operated in SLEEP mode allowing wake-up by a QSPI interrupt.
- Input pins can be pulled up/down with an internal resistor.
- Low CPU overhead memory mapped access mode that can access the external Flash memory with XIP (eXecute-In-Place) mode in the same manner as the embedded system memory.
 - Memory mapped access size: 8, 16, and 32-bit access.
 - 1M-byte external Flash memory mapping area starting at 0x0008_0000 that allows programmable re-mapping.
 - Configurable 3 or 4-byte address cycle length.
 - Single, dual, or quad transfer mode is configurable for each address, mode byte/dummy, and data cycle.
 - Programmable mode bytes for both XIP mode activation and termination.
 - Configurable mode byte/dummy output cycle length.
- Can issue a DMA transfer request when a receive buffer full, a transmit buffer empty, or a memory mapped access (32-bit read) occurs.

Figure 15.1.1 shows the QSPI configuration.

Table 15.1.1 QSPI Channel Configuration of S1C31W74

Item	S1C31W74
Number of channels	1 channels (Ch.0)
Internal clock input	Ch.0 ← 16-bit timer Ch.2

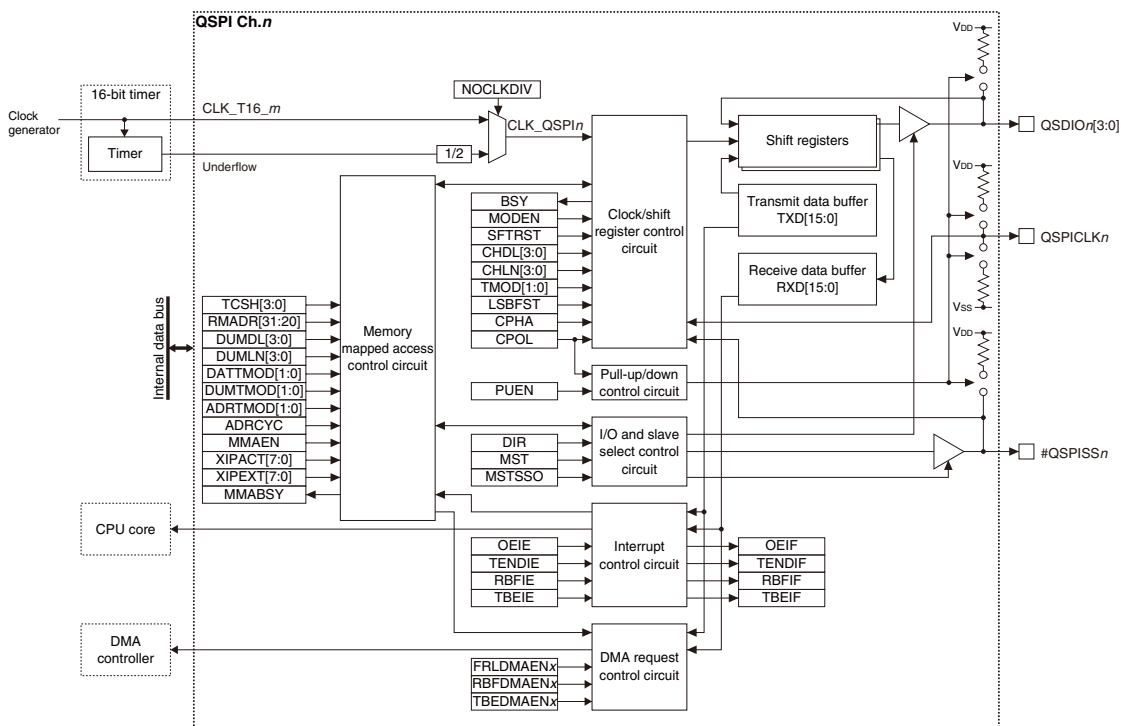


Figure 15.1.1 QSPI Configuration

15.2 Input/Output Pins and External Connections

15.2.1 List of Input/Output Pins

Table 15.2.1.1 lists the QSPI pins.

Table 15.2.1.1 List of QSPI Pins

Pin name	I/O*	Initial status*	Function
QSDIO _n [3:0]	I or O	I (Hi-Z)	QSPI Ch. <i>n</i> data input/output pin
QSPICLK _n	I or O	I (Hi-Z)	QSPI Ch. <i>n</i> external clock input/output pin
#QSPISS _n	I or O	I (Hi-Z)	QSPI Ch. <i>n</i> slave select signal input/output pin

* Indicates the status when the pin is configured for the QSPI.

If the port is shared with the QSPI pin and other functions, the QSPI input/output function must be assigned to the port before activating the QSPI. For more information, refer to the “I/O Ports” chapter.

15.2.2 External Connections

The QSPI operates in master or slave mode. The memory mapped access mode is available only in master mode. When QSPI Ch.*n* is operating in memory mapped access mode, the #QSPISS_n output is controlled by the internal state machine. In this case, only one external QSPI device can be connected.

When QSPI Ch.*n* is operating in register access master mode, the #QSPISS_n output is directly controlled by a register bit. In this case, GPIO pins other than #QSPISS_n can also be used as the slave select output ports to connect the QSPI to more than one external QSPI device.

Figures 15.2.2.1 to 15.2.2.7 show connection diagrams between the QSPI in each mode and external QSPI devices.

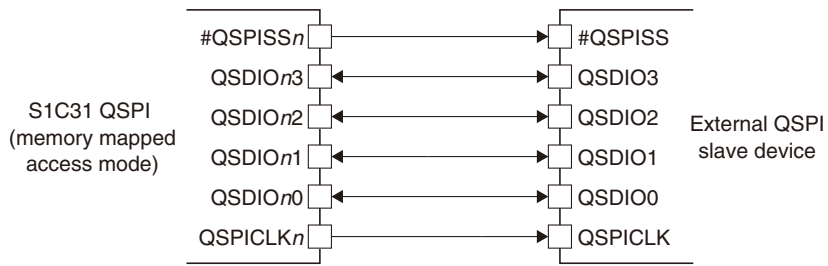


Figure 15.2.2.1 Connections between QSPI in Memory Mapped Access Mode and an External QSPI Slave Device

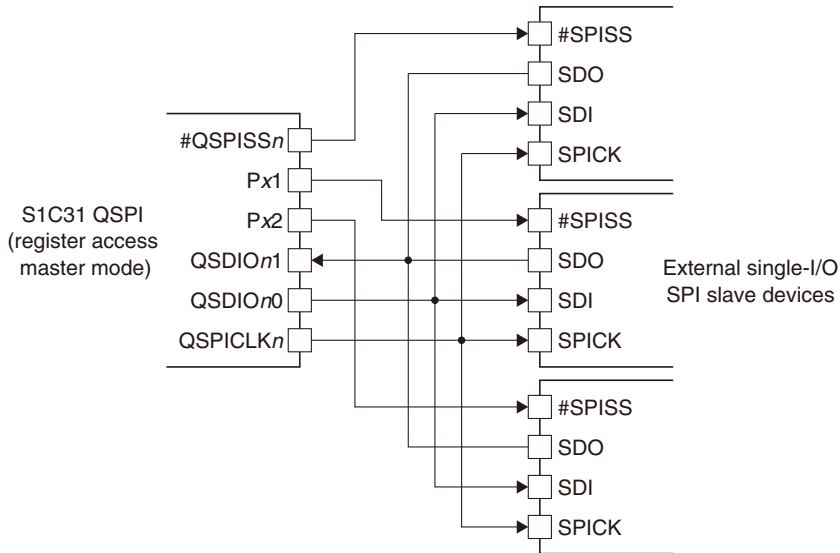


Figure 15.2.2.2 Connections between QSPI in Register Access Master Mode and External Single-I/O SPI (Legacy SPI) Slave Devices

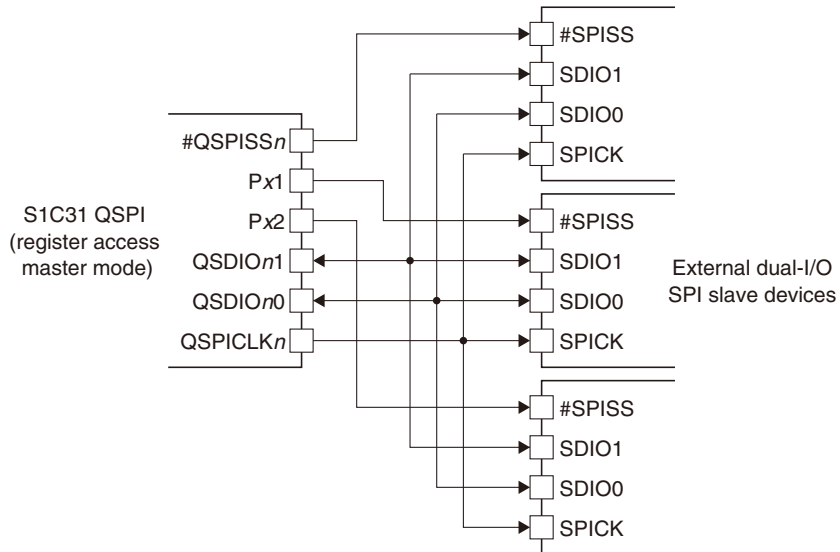


Figure 15.2.2.3 Connections between QSPI in Register Access Master Mode and External Dual-I/O SPI Slave Devices

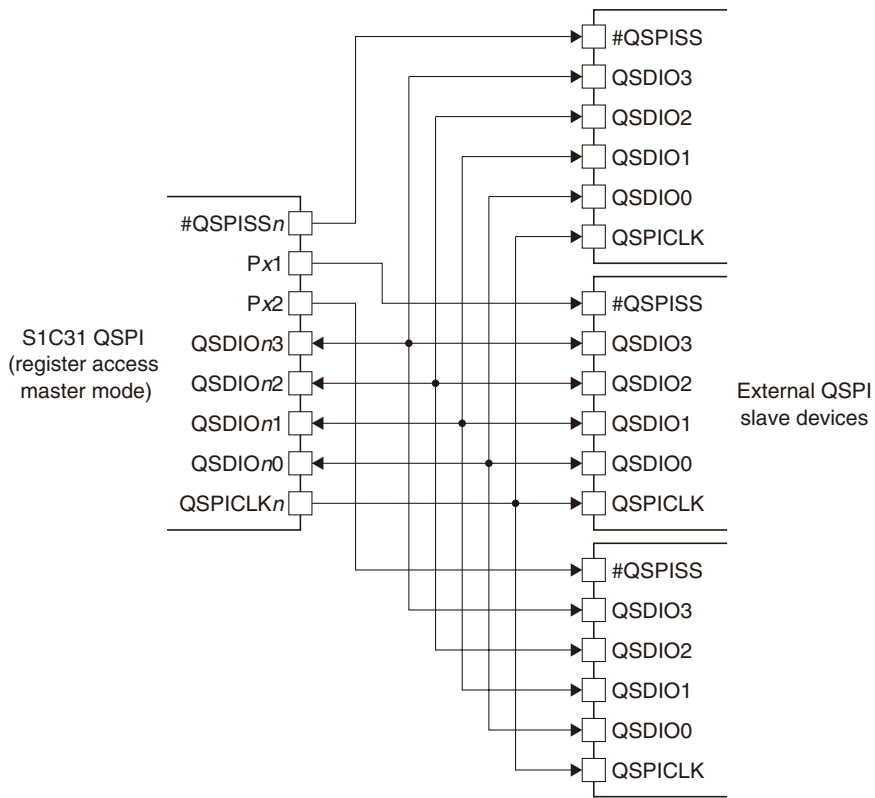


Figure 15.2.2.4 Connections between QSPI in Register Access Master Mode and External QSPI Slave Devices

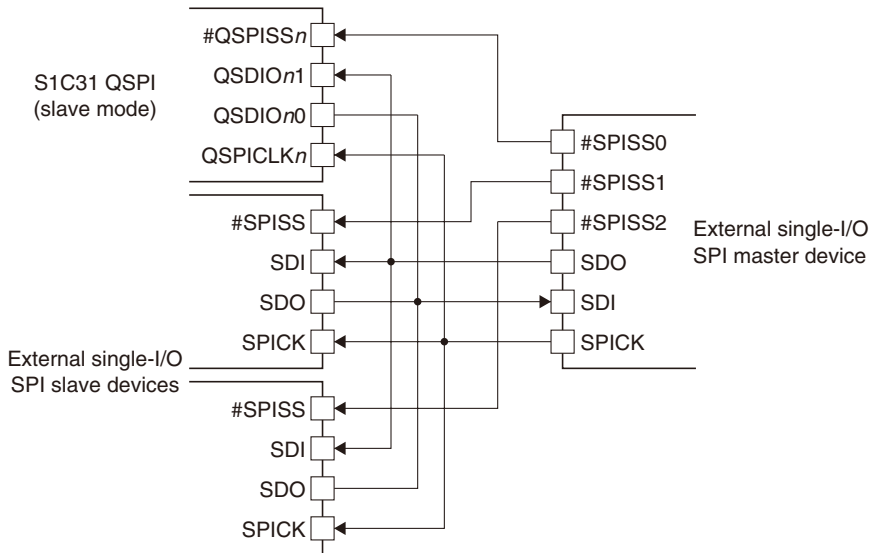


Figure 15.2.2.5 Connections between QSPI in Slave Mode and External Single-I/O SPI (Legacy SPI) Master Device

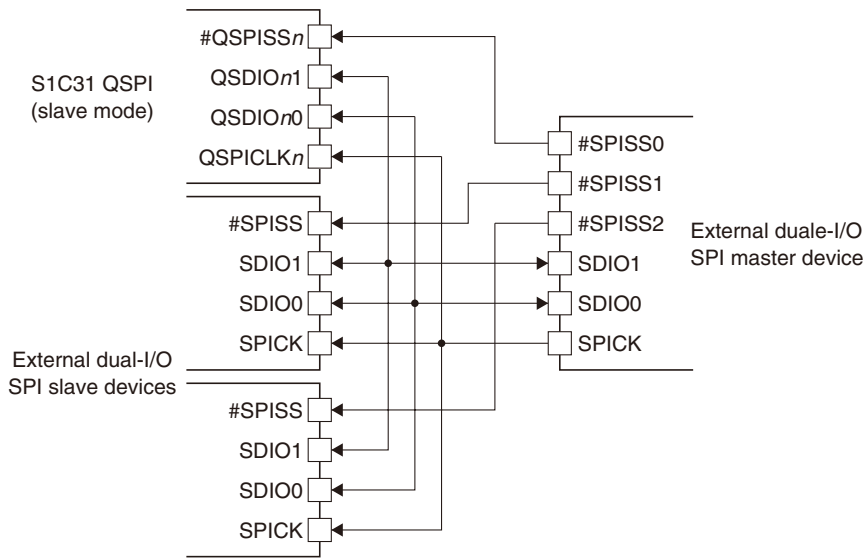


Figure 15.2.2.6 Connections between QSPI in Slave Mode and External Dual-I/O SPI Master Device

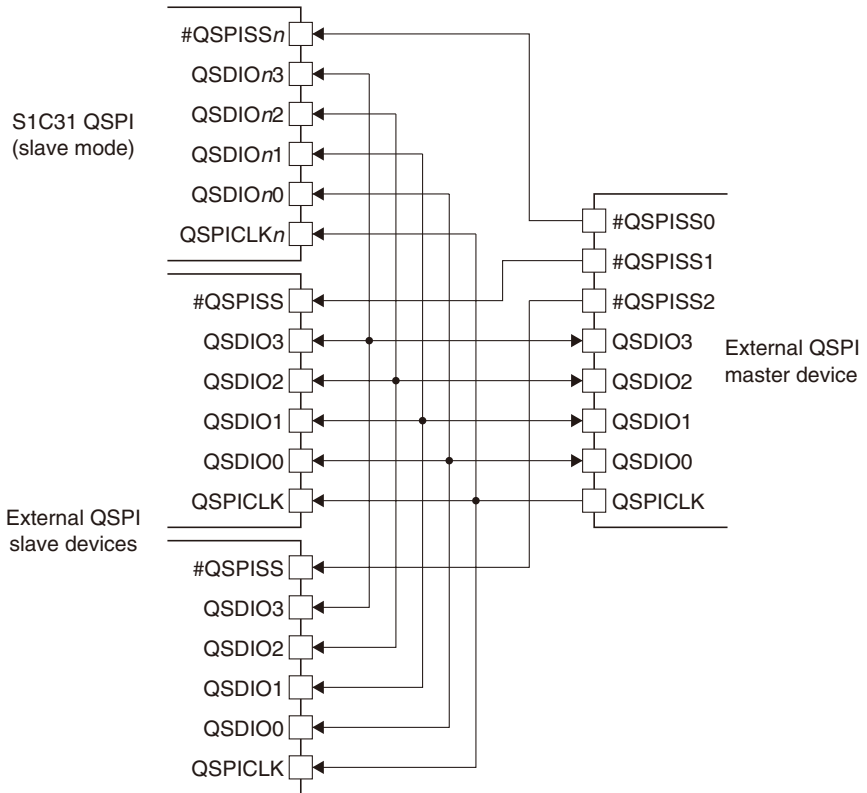


Figure 15.2.2.7 Connections between QSPI in Slave Mode and External QSPI Master Device

15.2.3 Pin Functions in Master Mode and Slave Mode

The pin functions are changed according to the transfer direction, transfer mode, and master/slave mode selections. The differences in pin functions between the modes are shown in Table 15.2.3.1.

Table 15.2.3.1 Pin Function Differences between Modes

Pin	Function in master mode			Function in slave mode		
	Single transfer mode	Dual transfer mode	Quad transfer mode	Single transfer mode	Dual transfer mode	Quad transfer mode
QSDIO n [3:2]	Always placed into Hi-Z state.			Always placed into Hi-Z state.		
QSDIO n 1	Always placed into input state.	These pins are placed into input or output state according to the QSPI $_n$ CTL.DIR bit setting.	These pins are placed into input or output state according to the QSPI $_n$ CTL.DIR bit setting.	Always placed into input state.	These pins are placed into output state while a low level is applied to the #QSPISS n pin and the QSPI $_n$ CTL.DIR bit is set to 0 (output), or placed into Hi-Z state while a high level is applied to the #QSPISS n pin or the QSPI $_n$ CTL.DIR bit is set to 1 (input).	These pins are placed into output state while a low level is applied to the #QSPISS n pin and the QSPI $_n$ CTL.DIR bit is set to 0 (output), or placed into Hi-Z state while a high level is applied to the #QSPISS n pin or the QSPI $_n$ CTL.DIR bit is set to 1 (input).
QSDIO n 0	Always placed into output state.			This pin is placed into output state while a low level is applied to the #QSPISS n pin or placed into Hi-Z state while a high level is applied to the #QSPISS n pin.		
QSPICLK n	Outputs the QSPI clock to external devices. Output clock polarity and phase can be configured if necessary.			Inputs an external QSPI clock. Clock polarity and phase can be designated according to the input clock.		
#QSPISS n	This pin is used to output the slave select signal in master mode. In memory mapped access mode, this pin is controlled by the internal state machine. In register access mode, this pin is controlled by a register bit. When connecting more than one external slave device, general-purpose I/O ports can be used to output the extra slave select signals.			Applying a low level to the #QSPISS n pin enables the QSPI to transmit/receive data. While a high level is applied to this pin, the QSPI is not selected as a slave device. Data input to the QSDIO n pins and the clock input to the QSPICLK n pin are ignored. When a high level is applied, the transmit/receive bit count is cleared to 0 and the already received bits are discarded.		

15.2.4 Input Pin Pull-Up/Pull-Down Function

The QSPI pins (QSDIO n [3:0] pins in master mode or QSDIO n [3:0] pins, QSPICLK n , and #QSPISS n pins in slave mode) have a pull-up or pull-down function as shown in Table 15.2.4.1. This function is enabled by setting the QSPI $_n$ MOD.PUEN bit to 1.

Table 15.2.4.1 Pull-Up or Pull-Down of QSPI Pins

Pin	Master mode	Slave mode
QSDIO n [3:0]	Pull-up	Pull-up
QSPICLK n	–	QSPI $_n$ MOD.CPOL bit = 1: Pull-up QSPI $_n$ MOD.CPOL bit = 0: Pull-down
#QSPISS n	–	Pull-up

15.3 Clock Settings

15.3.1 QSPI Operating Clock

Operating clock in master mode

In master mode, the QSPI operating clock is supplied from the 16-bit timer. The following two options are provided for the clock configuration.

Use the 16-bit timer operating clock without dividing

By setting the QSPI $_n$ MOD.NOCLKDIV bit to 1, the operating clock CLK_T16 $_m$, which is configured by selecting a clock source and a division ratio, for the 16-bit timer channel corresponding to the QSPI channel is input to the QSPI as CLK_QSPI n . Since this clock is also used as the QSPI clock QSPICLK n without changing, the CLK_QSPI n frequency becomes the baud rate.

To supply CLK_QSPI n to the QSPI, the 16-bit timer clock source must be enabled in the clock generator. It does not matter how the T16 $_m$ CTL.MODEN and T16 $_m$ CTL.PRUN bits of the corresponding 16-bit timer channel are set (1 or 0).

When setting this mode, the timer function of the corresponding 16-bit timer channel may be used for another purpose.

Use the 16-bit timer as a baud rate generator

By setting the QSPI_nMOD.NOCLKDIV bit to 0, the QSPI inputs the underflow signal generated by the corresponding 16-bit timer channel and converts it to the QSPICLK_n. The 16-bit timer must be run with an appropriate reload data set. The QSPICLK_n frequency (baud rate) and the 16-bit timer reload data are calculated by the equations shown below.

$$f_{\text{QSPICLK}} = \frac{f_{\text{CLK_QSPI}}}{2 \times (\text{RLD} + 1)} \qquad \text{RLD} = \frac{f_{\text{CLK_QSPI}}}{f_{\text{QSPICLK}} \times 2} - 1 \qquad (\text{Eq. 15.1})$$

Where

- f_{QSPICLK}: QSPICLK_n frequency [Hz] (= baud rate [bps])
- f_{CLK_QSPI}: QSPI operating clock frequency [Hz]
- RLD: 16-bit timer reload data value

For controlling the 16-bit timer, refer to the “16-bit Timers” chapter.

Operating clock in slave mode

The QSPI set in slave mode operates with the clock supplied from the external SPI/QSPI master to the QSPICLK_n pin. The 16-bit timer channel (including the clock source selector and the divider) corresponding to the QSPI channel is not used. Furthermore, the QSPI_nMOD.NOCLKDIV bit setting becomes ineffective.

The QSPI keeps operating using the clock supplied from the external SPI/QSPI master even if all the internal clocks halt during SLEEP mode, so the QSPI can receive data and can generate receive buffer full interrupts.

15.3.2 Clock Supply During Debugging

In master mode, the operating clock supply during debugging should be controlled using the T16_mCLK.DBRUN bit.

The CLK_T16_m supply to QSPI Ch.n is suspended when the CPU enters debug state if the T16_mCLK.DBRUN bit = 0. After the CPU returns to normal operation, the CLK_T16_m supply resumes. Although QSPI Ch.n stops operating when the CLK_T16_m supply is suspended, the output pins and registers retain the status before the debug state was entered. If the T16_mCLK.DBRUN bit = 1, the CLK_T16_m supply is not suspended and QSPI Ch.n will keep operating in a debug state.

The QSPI in slave mode operates with the external SPI/QSPI master clock input from the QSPICLK_n pin regardless of whether the CPU is placed into debug state or normal operation state.

15.3.3 QSPI Clock (QSPICLK_n) Phase and Polarity

The QSPICLK_n phase and polarity can be configured separately using the QSPI_nMOD.CPHA bit and the QSPI_nMOD.CPOL bit, respectively. Figure 15.3.3.1 shows the clock waveform and data input/output timing in each setting.

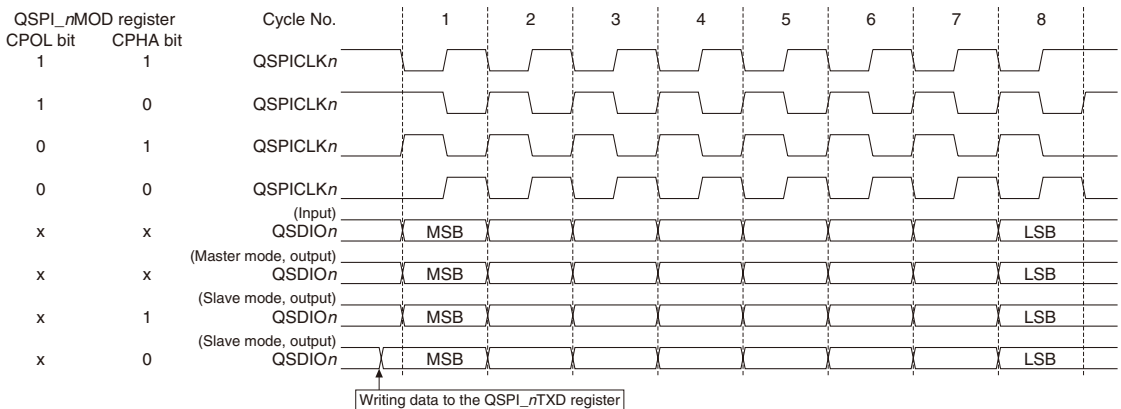


Figure 15.3.3.1 QSPI Clock Phase and Polarity (QSPI_nMOD.LSBFST bit = 0, QSPI_nMOD.CHNLN[3:0] bits = 0x7)

15.4 Data Format

The QSPI data length can be selected from 2 to 16 clocks by setting the QSPI_nMOD.CHLN[3:0] bits. The input/output permutation is configurable to MSB first or LSB first using the QSPI_nMOD.LSBFST bit. Figures 15.4.1 to 15.4.3 show data format examples in different transfer modes (QSPI_nMOD.TMOD[1:0]) when the QSPI_nMOD.CPOL bit = 0 and the QSPI_nMOD.CPHA bit = 0.

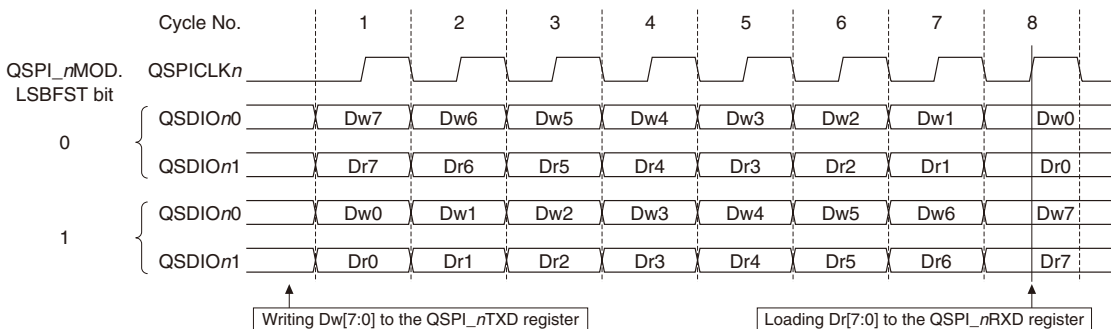


Figure 15.4.1 Data Format Selection for Single Transfer Mode Using the QSPI_nMOD.LSBFST Bit
(QSPI_nMOD.TMOD[1:0] bits = 0x0, QSPI_nMOD.CHLN[3:0] bits = 0x7, QSPI_nMOD.CPOL bit = 0, QSPI_nMOD.CPHA bit = 0)

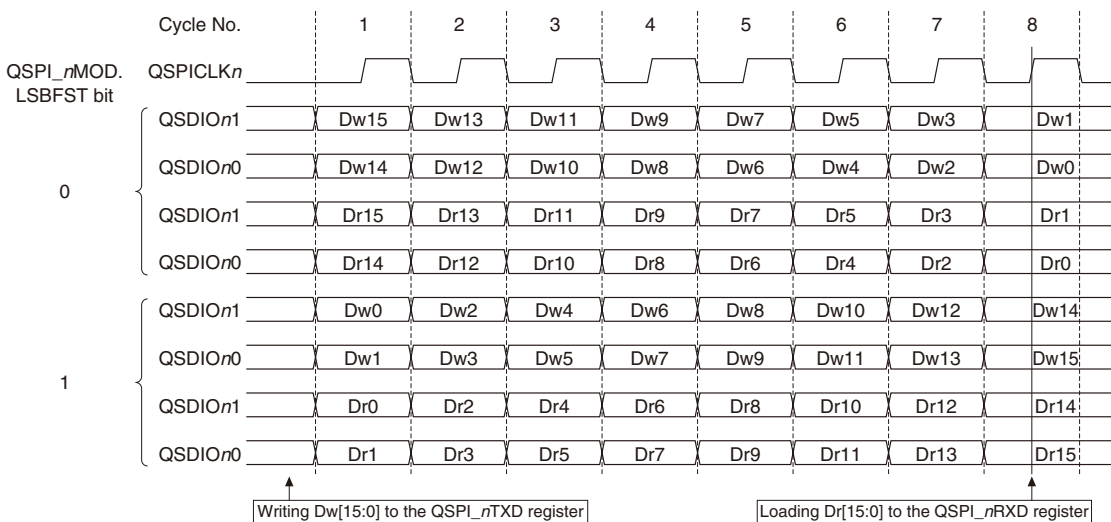


Figure 15.4.2 Data Format Selection for Dual Transfer Mode Using the QSPI_nMOD.LSBFST Bit
(QSPI_nMOD.TMOD[1:0] bits = 0x1, QSPI_nMOD.CHLN[3:0] bits = 0x7, QSPI_nMOD.CPOL bit = 0, QSPI_nMOD.CPHA bit = 0)

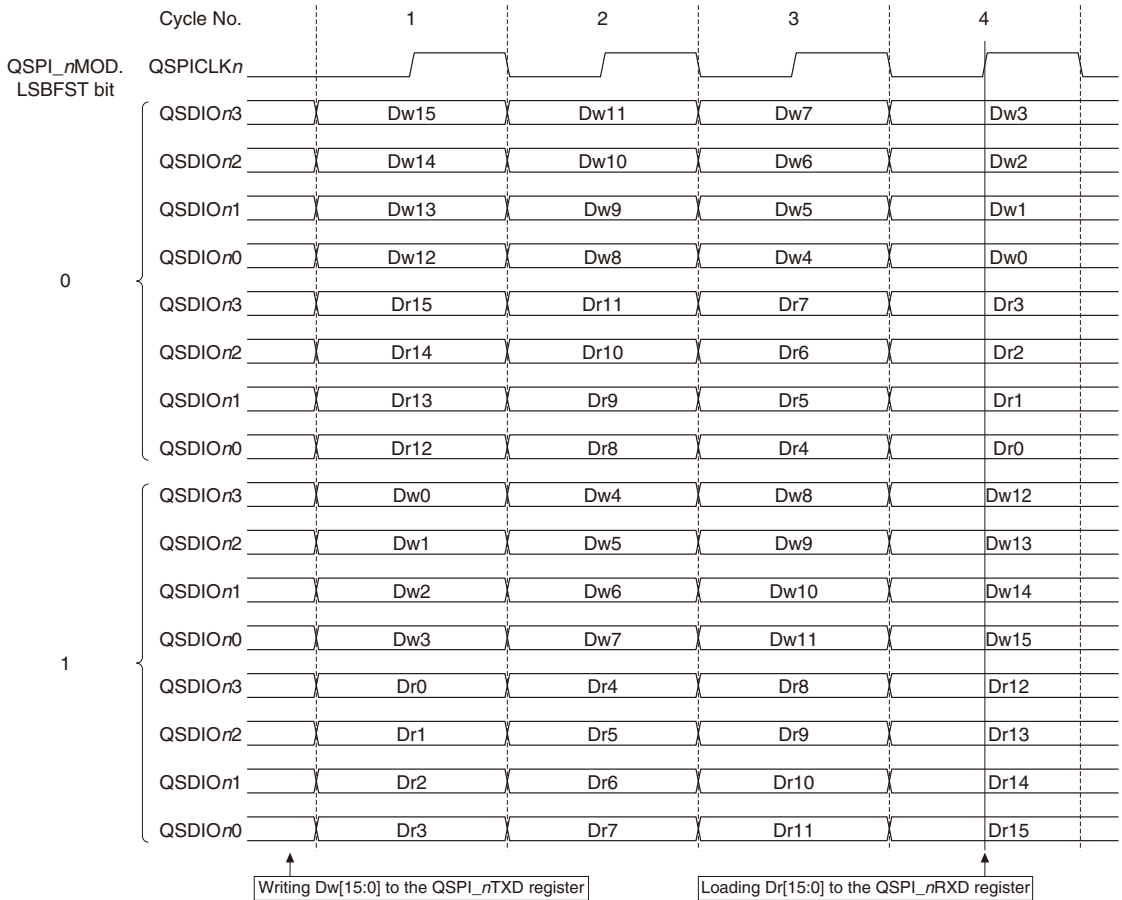


Figure 15.4.3 Data Format Selection for Quad Transfer Mode Using the QSPI_nMOD.LSBFST Bit
 (QSPI_nMOD.TMOD[1:0] bits = 0x2, QSPI_nMOD.CHLN[3:0] bits = 0x3, QSPI_nMOD.CPOL bit = 0, QSPI_nMOD.CPHA bit = 0)

15.5 Operations

15.5.1 Register Access Mode

Data can be read from or written to the external SPI/QSPI device by accessing the registers in both master and slave modes.

In single transfer mode, transmit data are always output from the QSDIO_{n0} pin and receive data are always input to the QSDIO_{n1} pin (the QSDIO_n[3:2] pins are not used). The operations are backward compatible with legacy SPI (e.g., synchronous serial interface of this MCU).

In dual transfer mode, transmit data are output from the QSDIO_n[1:0] pins when the transfer direction is set to output (QSPI_nCTL.DIR bit = 0). Receive data are input from the QSDIO_n[1:0] pins when the transfer direction is set to input (QSPI_nCTL.DIR bit = 1). The QSDIO_n[3:2] pins are not used. The number of data transfer clocks is configured using the QSPI_nMOD.CHLN[3:0] bits. Since two data lines are used for data transfer, the data bit length (number of clocks) is obtained by dividing the number of transfer data bits by two.

In quad transfer mode, transmit data are output from the QSDIO_n[3:0] pins when the transfer direction is set to output (QSPI_nCTL.DIR bit = 0). Receive data are input from the QSDIO_n[3:0] pins when the transfer direction is set to input (QSPI_nCTL.DIR bit = 1). The number of data transfer clocks is configured with the QSPI_nMOD.CHLN[3:0] bits. Since four data lines are used for data transfer, the data bit length (number of clocks) is obtained by dividing the number of transfer data bits by four.

$$\text{LENGTH} = \frac{\text{BIT}}{N} \text{ [clocks]} \tag{Eq. 15.2}$$

Where

- LENGTH: Data bit length [clocks]
- BIT: Number of transfer data bits
- N: 1 (single transfer mode), 2 (dual transfer mode), or 4 (quad transfer mode)

15.5.2 Memory Mapped Access Mode

Memory mapped access mode is a low CPU overhead operation mode used with master mode to read data from an external Flash memory, which supports XIP (eXecute-In-Place) mode. Once the external Flash memory enters XIP mode and a read command is executed, the same read command operation can be performed by controlling the slave select signal (inactive to active) and sending a new address to be accessed without the command being resent. This may reduce command re-execution overhead and random access time.

An XIP session consists of a command cycle, an address cycle, a dummy cycle, and consecutive data cycles, and it begins with an XIP specific read command similar to a general read command. Unlike a general read command, one or more data lines must be driven to send XIP activation or termination confirmation bit(s) at the beginning of the dummy cycle of an XIP session

In an XIP session, to start reading from a non-sequential Flash memory address, which is not continuous to the previous read address, assert the slave signal again after negating it once. After that, just send an address cycle to specify the new read start address and a dummy cycle including an XIP activation (continuation) confirmation bit(s), as the command cycle is not needed in this XIP session. The Flash memory performs read operations the same as the read command previously executed to execute a data cycle that includes a given number of data stored from the newly specified address.

To terminate an XIP session, first assert the slave signal again after negating it once. Then, send an address cycle with the address bits set to all high (suggested by most Flash memory manufacturers) and a dummy cycle including an XIP termination confirmation bit(s) at the beginning of the cycle on one or more data lines. After that, negate the slave select signal.

Figures 15.5.2.1 and 15.5.2.2 show Spansion S25FL128S Quad I/O Read command sequences as XIP operation examples.

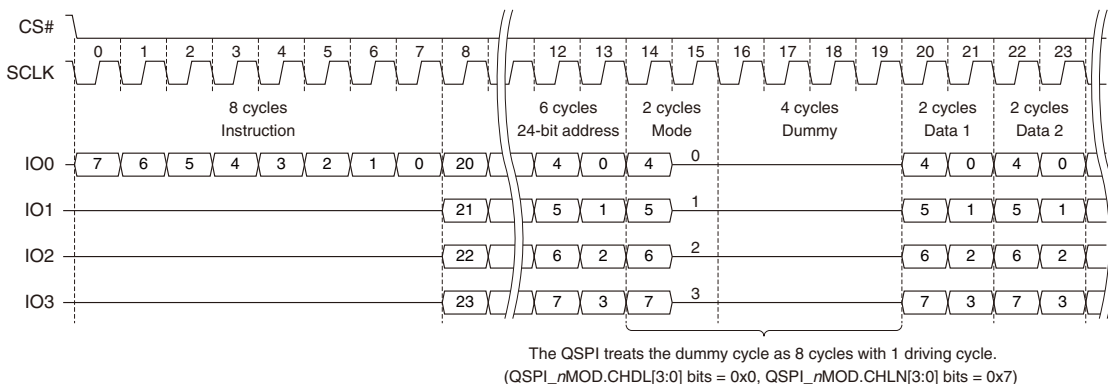


Figure 15.5.2.1 XIP Example - Spansion S25FL128S Quad I/O Read Command Sequence
(3-byte address, 0xeb [ExtAdd = 0], LC = 0b00)

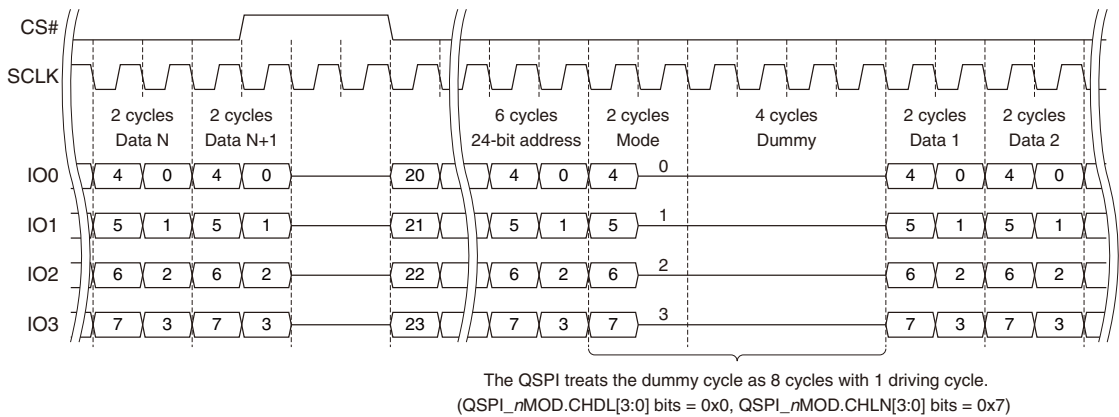


Figure 15.5.2.2 XIP Example - Spansion S25FL128S Continuous Quad I/O Read Command Sequence
(3-byte address, LC = 0b00)

In memory mapped access mode, the QSPI automates toggling of the slave select signal and executing address, dummy, and data cycles so that the CPU will be able to read the external Flash memory mapped to the system memory area. This further reduces CPU overhead.

The transfer mode can be configured for address, dummy, and data cycles individually. The address cycle supports 24 and 32-bit addresses. The QSPI considers that the mode cycle (or XIP activation/termination confirmation) is a part of the dummy cycle, so a mode cycle is sent out on the I/O data line in a dummy cycle.

The 1M-byte system memory area starting at address 0x80000 is used to map the external Flash memory and to access from the CPU. Up to 4G-byte Flash memory can be accessed from this area using a remapping register. Once the external Flash memory is set into XIP mode and a read command is sent in register access mode, the CPU can directly read external Flash memory data through this area. When a read access to a non-sequential address occurs in memory mapped access mode, the QSPI automatically executes a new address and dummy cycles. When memory mapped access mode is disabled by setting a register, the QSPI executes an address cycle and a dummy cycle including a mode byte that specifies to terminate XIP mode.

Memory mapped access mode supports 8, 16, and 32-bit read accesses.

The 32-bit access is mainly used to read data in a large memory block sequentially. In this access, up to two 32-bit data are prefetched into the internal FIFO. Therefore, zero-wait read access is possible if the desired data has already been fetched in the FIFO.

The 8 and 16-bit accesses are mainly used to read data in a small memory block or to read data from non-sequential addresses. Prefetching is not performed as it is unnecessary in non-sequential read. Therefore, overhead of a couple of clocks occurs between accesses.

The QSPI allows incorporating 8 and 16-bit accesses into 32-bit accesses. Prefetching data into FIFO is only performed immediately after a 32-bit read. An 8 or 16-bit read at the sequential address after a 32-bit read allows zero-wait read if the desired data has already been fetched in the FIFO.

15.5.3 Initialization

QSPI Ch.*n* should be initialized with the procedure shown below.

1. <Master mode only> Generate a clock by controlling the 16-bit timer and supply it to QSPI Ch.*n*.
2. Configure the following QSPI_nMOD register bits:
 - QSPI_nMOD.PUEN bit (Enable input pin pull-up/down)
 - QSPI_nMOD.NOCLKDIV bit (Select master mode operating clock)
 - QSPI_nMOD.LSBFST bit (Select MSB first/LSB first)
 - QSPI_nMOD.CPHA bit (Select clock phase)
 - QSPI_nMOD.CPOL bit (Select clock polarity)
 - QSPI_nMOD.MST bit (Select master/slave mode)
3. Configure the following register bits when using memory mapped access mode:
 - QSPI_nMMACFG1.TCSH[3:0] bits (Set slave select signal negation period)
 - QSPI_nRMADRH.RMADR[31:20] bits (Set remapping address)

15 Quad Synchronous Serial Interface (QSPI)

- QSPI_nMMACFG2.DUMDL[3:0] bits (Select dummy cycle drive length)
 - QSPI_nMMACFG2.DUMLN[3:0] bits (Select dummy cycle length)
 - QSPI_nMMACFG2.DATTMOD[1:0] bits (Select data cycle transfer mode)
 - QSPI_nMMACFG2.DUMTMOD[1:0] bits (Select dummy cycle transfer mode)
 - QSPI_nMMACFG2.ADRTMOD[1:0] bits (Select address cycle transfer mode)
 - QSPI_nMMACFG2.ADRCYC bit (Select 24 or 32-bit address cycle)
 - QSPI_nMB.XIPACT[7:0] bits (Set XIP activation mode byte)
 - QSPI_nMB.XIPEXT[7:0] bits (Set XIP termination mode byte)
4. Assign the QSPI Ch.*n* input/output function to the ports. (Refer to the “I/O Ports” chapter.)
 5. Set the following QSPI_nCTL register bits:
 - Set the QSPI_nCTL.SFTRST bit to 1. (Execute software reset)
 - Set the QSPI_nCTL.MODEN bit to 1. (Enable QSPI Ch.*n* operations)
 6. Set the following bits when using the interrupt:
 - Write 1 to the interrupt flags in the QSPI_nINTF register. (Clear interrupt flags)
 - Set the interrupt enable bits in the QSPI_nINTE register to 1. * (Enable interrupts)

* The initial value of the QSPI_nINTF.TBEIF bit is 1, therefore, an interrupt will occur immediately after the QSPI_nINTE.TBEIE bit is set to 1.
 7. Configure the DMA controller and set the following QSPI control bits when using DMA transfer:
 - Write 1 to the DMA transfer request enable bits in the QSPI_nTBEDMAEN, QSPI_nRBFDMAEN, and QSPI_nFRLDMAEN registers. (Enable DMA transfer requests)

15.5.4 Data Transmission in Master Mode

A data sending procedure and operations in master mode are shown below. Figures 15.5.4.1 and 15.5.4.2 show a timing chart and a flowchart, respectively.

Data sending procedure

1. Set the QSPI_nCTL.DIR bit to 0 when QSPI Ch.*n* is set to dual or quad transfer mode. (This setting is not necessary in single transfer mode.)
2. Assert the slave select signal for the external slave device to be accessed by controlling the QSPI_nCTL.MSTSSO bit or the general-purpose output port used for an extra slave select signal output (if necessary).
3. Check to see if the QSPI_nINTF.TBEIF bit is set to 1 (transmit buffer empty).
4. Write transmit data to the QSPI_nTXD register.
5. Wait for a QSPI interrupt when using interrupt.
6. Repeat Steps 3 to 5 (or 3 and 4) until the end of transmit data.
7. Negate the slave select signal that has been asserted in Step 2 by controlling the QSPI_nCTL.MSTSSO bit or the general-purpose output port (if necessary).

Data sending operations

QSPI Ch.*n* starts data sending operations when transmit data is written into the QSPI_nTXD register.

The transmit data in the QSPI_nTXD register is automatically transferred to the shift register and the QSPI_nINTF.TBEIF bit is set to 1. If the QSPI_nINTE.TBEIE bit = 1 (transmit buffer empty interrupt enabled), a transmit buffer empty interrupt occurs at the same time.

The QSPICLK*n* pin outputs clocks for the number of cycles specified by the QSPI_nMOD.CHLN[3:0] bits and the transmit data bits are output in sequence from the QSDION pins, according to the transfer mode specified by the QSPI_nMOD.TMOD[1:0] bits, in sync with these clocks.

Even if the clock is being output from the QSPICLK*n* pin, the next transmit data can be written to the QSPI_nTXD register after making sure the QSPI_nINTF.TBEIF bit is set to 1.

If transmit data has not been written to the QSPI_nTXD register after the last clock is output from the QSPICLK*n* pin, the clock output halts and the QSPI_nINTF.TENDIF bit is set to 1. At the same time QSPI issues an end-of-transmission interrupt request if the QSPI_nINTE.TENDIE bit = 1.

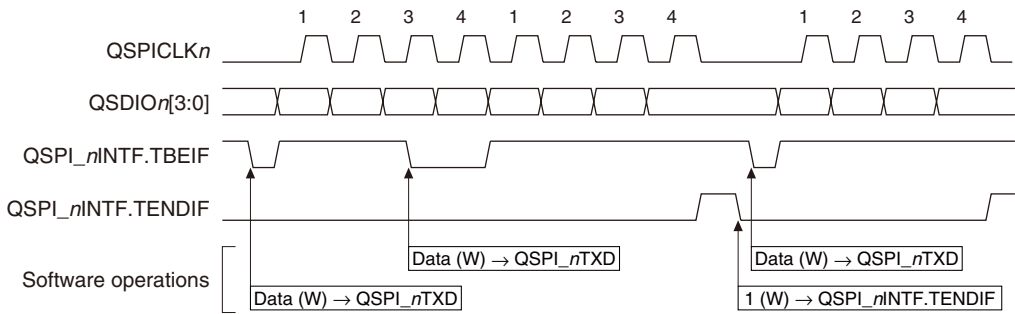


Figure 15.5.4.1 Example of Data Sending Operations in Master Mode
(QSPI_nMOD.CHDL[3:0] bits = QSPI_nMOD.CHLN[3:0] bits = 0x3)

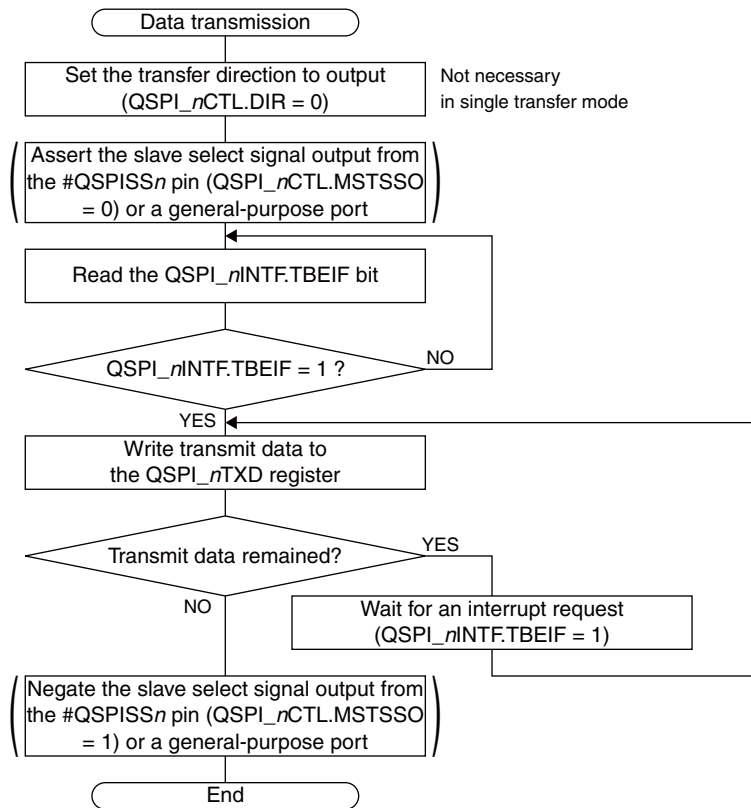


Figure 15.5.4.2 Data Transmission Flowchart in Master Mode

Data transmission using DMA

By setting the QSPI_nTBEDMAEN.TBEDMAENx bit to 1 (DMA transfer request enabled), a DMA transfer request is sent to the DMA controller and transmit data is transferred from the specified memory to the QSPI_nTXD register via DMA Ch.x when the QSPI_nINTF.TBEIF bit is set to 1 (transmit buffer empty).

This automates the procedure from Step 3 to Step 6 described above.

The transfer source/destination and control data must be set for the DMA controller and the relevant DMA channel must be enabled to start a DMA transfer in advance so that transmit data will be transferred to the QSPI_nTXD register. For more information on DMA, refer to the “DMA Controller” chapter.

Table 15.5.4.1 DMA Data Structure Configuration Example (for 16-bit Data Transmission)

	Item	Setting example
End pointer	Transfer source	Memory address in which the last transmit data is stored
	Transfer destination	QSPI_nTXD register address
Control data	dst_inc	0x3 (no increment)
	dst_size	0x1 (halfword)
	src_inc	0x1 (+2)
	src_size	0x1 (halfword)
	R_power	0x0 (arbitrated for every transfer)
	n_minus_1	Number of transfer data
	cycle_ctrl	0x1 (basic transfer)

15.5.5 Data Reception in Register Access Master Mode

A data receiving procedure and operations in register access master mode are shown below. Figures 15.5.5.1 and 15.5.5.2 show a timing chart and flowcharts, respectively.

Data receiving procedure

1. Set the QSPI_nCTL.DIR bit to 1 when QSPI Ch.n is set to dual or quad transfer mode. (This setting is not necessary in single transfer mode.)
2. Assert the slave select signal for the external slave device to be accessed by controlling the QSPI_nCTL.MSTSSO bit or the general-purpose output port used for an extra slave select signal output (if necessary).
3. Check to see if the QSPI_nINTF.TBEIF bit is set to 1 (transmit buffer empty).
4. Write dummy data (or transmit data) to the QSPI_nTXD register.
5. Wait for a transmit buffer empty interrupt (QSPI_nINTF.TBEIF bit = 1).
6. Write dummy data (or transmit data) to the QSPI_nTXD register.
7. Wait for a receive buffer full interrupt (QSPI_nINTF.RBFIF bit = 1).
8. Read the received data from the QSPI_nRXD register.
9. Repeat Steps 6 to 8 until the end of data reception.
10. Negate the slave select signal that has been asserted in Step 2 by controlling the QSPI_nCTL.MSTSSO bit or the general-purpose output port (if necessary).

Note: To perform continuous data reception without stopping QSPICLK_n, Steps 8 and 6 operations must be completed within the QSPICLK_n cycles equivalent to “Data bit length - 1” after Step 7.

Data receiving operations

In single transfer mode (QSPI_nMOD.TMOD[1:0] bits = 0), QSPI Ch.n operates similar to legacy SPI devices. The data receiving operation starts simultaneously with a data sending operation when transmit data (may be dummy data if data transmission is not required) is written to the QSPI_nTXD register. Transmit data are output from the QSDIO_{n0} pin and receive data are input from the QSDIO_{n1} pin.

In dual or quad transfer mode (QSPI_nMOD.TMOD[1:0] bits = 1 or 2), transmit data are not sent at data reception. Writing dummy data to the QSPI_nTXD register triggers the QSPI Ch.n to start supplying the data transfer clock from the QSPICLK_n pin to the slave device.

The QSPICLK_n pin outputs the number of clocks specified by the QSPI_nMOD.CHNLN[3:0] bits. The receive data bits input from the QSDIO_n pins, according to the transfer mode specified by the QSPI_nMOD.TMOD[1:0] bits, are shifted into the shift register in sync with these clocks.

When the last clock is output from the QSPICLK_n pin and receive data bits are all shifted into the shift register, the received data is transferred to the receive data buffer and the QSPI_nINTF.RBFIF bit is set to 1. At the same time QSPI Ch.n issues a receive buffer full interrupt request if the QSPI_nINTE.RBFIE bit = 1. After that, the received data in the receive data buffer can be read through the QSPI_nRXD register.

Note: If data of the number of the bits specified by the QSPI_nMOD.CHNLN[3:0] bits and QSPI_nMOD.TMOD[1:0] bits is received when the QSPI_nINTF.RBFIF bit is set to 1, the QSPI_nRXD register is overwritten with the newly received data and the previously received data is lost. In this case, the QSPI_nINTF.OEIF bit is set.

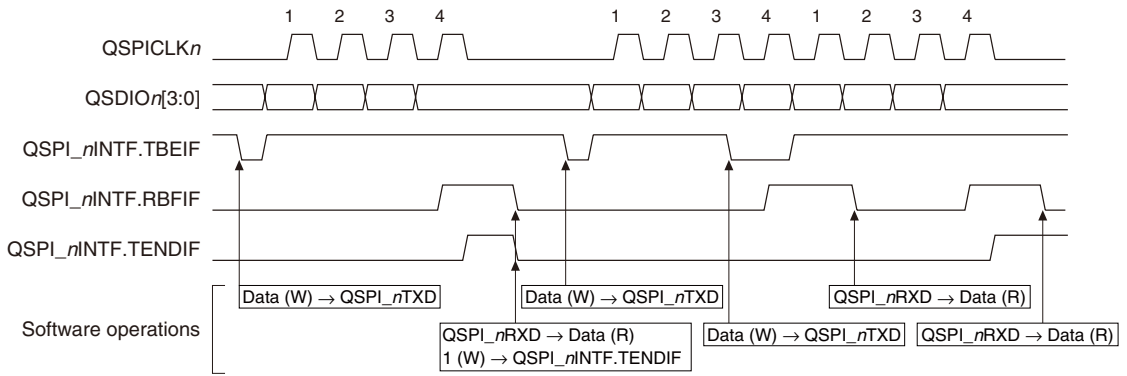
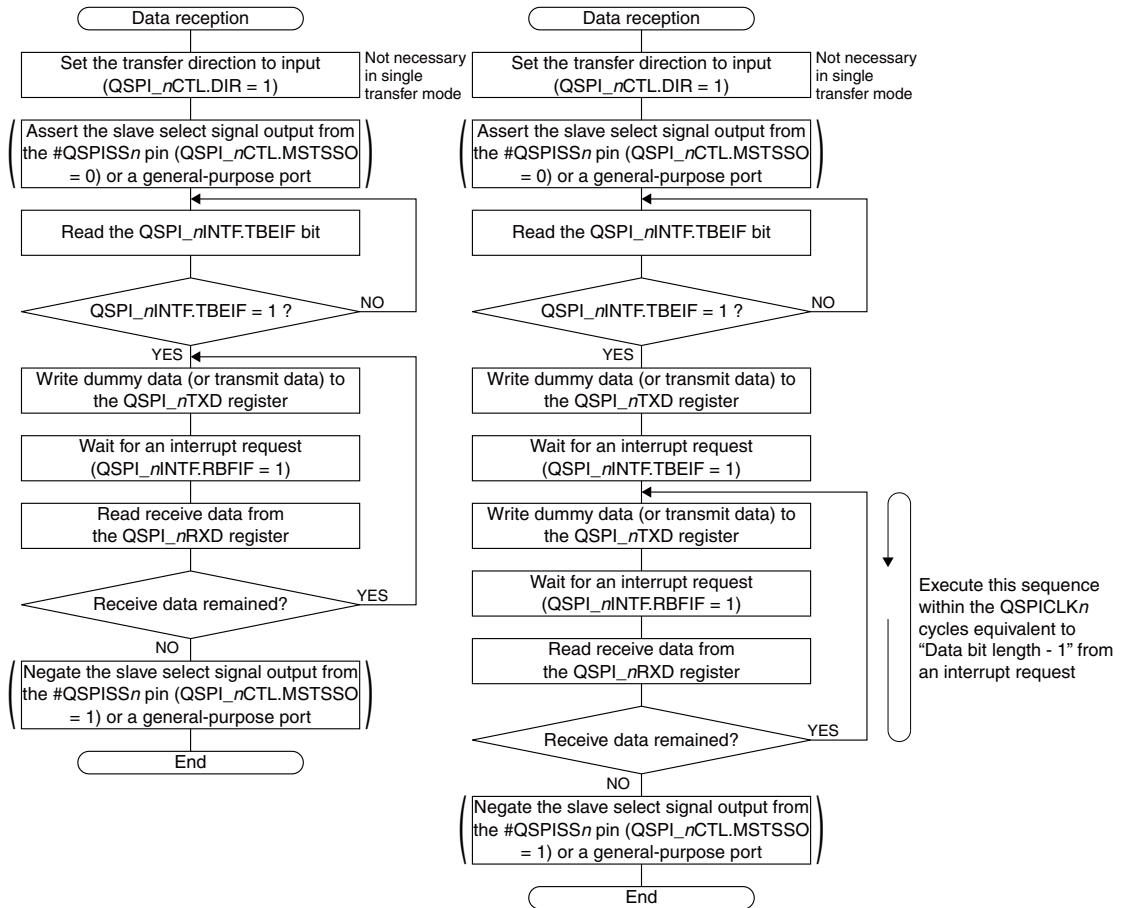


Figure 15.5.5.1 Example of Data Receiving Operations in Register Access Master Mode (QSPI_nMOD.CHDL[3:0] bits = QSPI_nMOD.CHNLN[3:0] bits = 0x3)



(A) Intermittent data reception

(B) Continuous data reception

Figure 15.5.5.2 Data Reception Flowcharts in Register Access Master Mode

Data reception using DMA

For data reception, two DMA controller channels should be used to write dummy data to the QSPI_nTXD register as a reception start trigger and to read the received data from the QSPI_nRXD register. By setting the QSPI_nTBEDMAEN.TBEDMAEN_{x1} bit to 1 (DMA transfer request enabled), a DMA transfer request is sent to the DMA controller and dummy data is transferred from the specified memory to the QSPI_nTXD register via DMA Ch._{x1} when the QSPI_nINTF.TBEIF bit is set to 1 (transmit buffer empty).

By setting the QSPI_nRBFDMAEN.RBFDMAEN_{x2} bit to 1 (DMA transfer request enabled), a DMA transfer request is sent to the DMA controller and the received data is transferred from the QSPI_nRXD register to the specified memory via DMA Ch._{x2} when the QSPI_nINTF.RBFIF bit is set to 1 (receive buffer full).

This automates the procedure from Step 3 to Step 9 described above.

The transfer source/destination and control data must be set for the DMA controller and the relevant DMA channel must be enabled to start a DMA transfer in advance. For more information on DMA, refer to the “DMA Controller” chapter.

Table 15.5.5.1 DMA Data Structure Configuration Example (for Writing 16-bit Dummy Transmit Data)

Item		Setting example
End pointer	Transfer source	Memory address in which dummy data is stored
	Transfer destination	QSPI _n TXD register address
Control data	dst_inc	0x3 (no increment)
	dst_size	0x1 (halfword)
	src_inc	0x3 (no increment)
	src_size	0x1 (halfword)
	R_power	0x0 (arbitrated for every transfer)
	n_minus_1	Number of transfer data
	cycle_ctrl	0x1 (basic transfer)

Table 15.5.5.2 DMA Data Structure Configuration Example (for 16-bit Data Reception)

Item		Setting example
End pointer	Transfer source	QSPI _n RXD register address
	Transfer destination	Memory address to which the last received data is stored
Control data	dst_inc	0x1 (+2)
	dst_size	0x1 (halfword)
	src_inc	0x3 (no increment)
	src_size	0x1 (halfword)
	R_power	0x0 (arbitrated for every transfer)
	n_minus_1	Number of transfer data
	cycle_ctrl	0x1 (basic transfer)

The following shows an example of the control procedure including the DMA controller operations:

1. Configure the primary data structure for the DMA channel (Ch._x) used for writing dummy bytes to the QSPI_nTXD register as shown in Table 15.5.5.1.
2. Configure the primary data structure for the DMA channel (Ch._y) used for reading data from the QSPI_nRXD register as shown in Table 15.5.5.2.
3. Enable both the DMA channels using the DMA controller register.
4. Increase the priority of the DMA channel used for reading data using the DMA controller register.
5. Clear the channel request masks for both the DMA channels using the DMA controller register.
6. Clear the DMA transfer completion interrupt flags using the DMA controller register.
7. Enable only the DMA transfer completion interrupt of the DMA channel used for reading using the DMA controller register.
8. Clear pending DMA interrupts in the CPU core.
9. Enable pending DMA interrupts in the CPU core.
10. Enable the QSPI to issue DMA transfer requests to both the DMA channels using the QSPI_nTBEDMAEN.TBEDMAEN_x and QSPI_nRBFDMAEN.RBFDMAEN_y bits.
11. Assert the slave select signal by controlling the QSPI_nCTL.MSTSSO bit, or the general-purpose output port used for an extra slave select signal output (if necessary).
12. Issue a software DMA transfer request to the DMA channel used for writing dummy bytes by setting the DMA controller register. This operation is required to read the first data and to set the receive buffer full status flag. Once the receive buffer full status flag is set, a hardware DMA request is generated, and the DMA controller transfers data from the QSPI_nRXD register and then writes another dummy byte to the QSPI_nTXD register, allowing the QSPI to read the next data.
13. Wait for a DMA interrupt.

14. Disable the DMA requests to be sent to both the DMA channels using the QSPI_nTBEDMAEN.TBEDMAEN_x and QSPI_nRBFDMAEN.RBFDMAEN_y bits.
15. Set the channel request masks for both the DMA channels using the DMA controller register.
16. Disable both the DMA channels using the DMA controller register.
17. Negate the slave select signal by controlling the QSPI_nCTL.MSTSSO bit or the general-purpose output port (if necessary).

15.5.6 Data Reception in Memory Mapped Access Mode

A data receiving procedure, and 32-bit and 8/16-bit received data read operations in memory mapped access mode are shown below. Figures 15.5.6.1 to 15.5.6.7 show their timing charts and a flowchart.

Data receiving procedure

QSPI Flash memories of different manufacturers have a different XIP operation mode setup procedure. The procedure described below assumes that the external Flash memory has already been placed into XIP operation mode.

1. Send a read command that supports XIP mode to the external Flash memory.
For the sending procedure, see Steps 1 to 5 of the data sending procedure described in Section 15.5.4, “Data Transmission in Master Mode.” The slave select signal that has been asserted should be left unchanged.
2. Set the QSPI_nMADRH.RMADR[31:20] bits. (Remap external Flash memory)
3. Write 1 to the QSPI_nMMACFG2.MMAEN bit. (Enable memory mapped access mode)
4. Read the memory mapped access area with an 8, 16, or 32-bit memory read instruction.
This operation directly reads data within the 1M-byte Flash memory area remapped to the memory mapped access area (1M-byte system memory area starting at address 0x80000) at Step 2.
5. Repeat Step 4 as needed.
When reading an address outside the remapped area, start from Step 2 again after setting the QSPI_nMMACFG2.MMAEN bit to 0 once.

Data receiving operations (32-bit read)

In memory mapped access mode, the internal state machine detects the address in the memory mapped access area from which data is read. If it is the first read operation after the QSPI has entered memory mapped access mode, the state machine generates an address cycle and a dummy cycle (including the XIP activation confirmation bit(s)). At the same time, it pulls the HREADY signal on the internal system bus down to low.

The address cycle can be configured for 24 or 32-bit addresses and it consists of two transfer cycles. The state machine determines actual Flash memory address from the memory mapped access area start address, the read address in that area, and the external Flash memory remapping start address set using the QSPI_nRMADRH[31:20] bits. The first transfer cycle is an 8-bit transfer that sends the high-order 8 bits of the address (when 24-bit address cycle is configured) or a 16-bit transfer that sends the high-order 16 bits of the address (when 32-bit address cycle is configured). The second cycle is fixed at 16-bit transfer that sends the low-order 16 bits of the address.

A dummy cycle follows. The XIP activation confirmation byte set in the QSPI_nMB.XIPACT[7:0] bits is sent at the beginning of the cycle.

Then, the state machine starts fetching data from the external Flash memory. Once 32-bit data has been fetched into the internal FIFO, the FIFO read level is incremented (FIFO data ready). At this time, the HREADY signal reverts to high and the data fetched into the FIFO is sent to the internal system bus. The state machine prefetches two more 32-bit data from the continuous address and stores it into the FIFO.

If the address in the memory mapped access area that is continuous to the previous read address is read when the FIFO contains the prefetched data (FIFO data ready status), the prefetched data is sent to the internal system bus with the HREADY signal held high (zero-wait read).

15 Quad Synchronous Serial Interface (QSPI)

If an address in the memory mapped access area that is not continuous to the previous read address is read, the HREADY signal is pulled down to low immediately and the FIFO read level is cleared to 0 (empty status). The #QSPISSn signal is negated once for the period set in the QSPI_nMMACFG1.TCSH[3:0] bits and then asserted again. After that a new address cycle, dummy cycle, and data cycle are executed.

The beginning and the end of each address, dummy, or data cycle take a couple of HCLK clocks for handshaking.

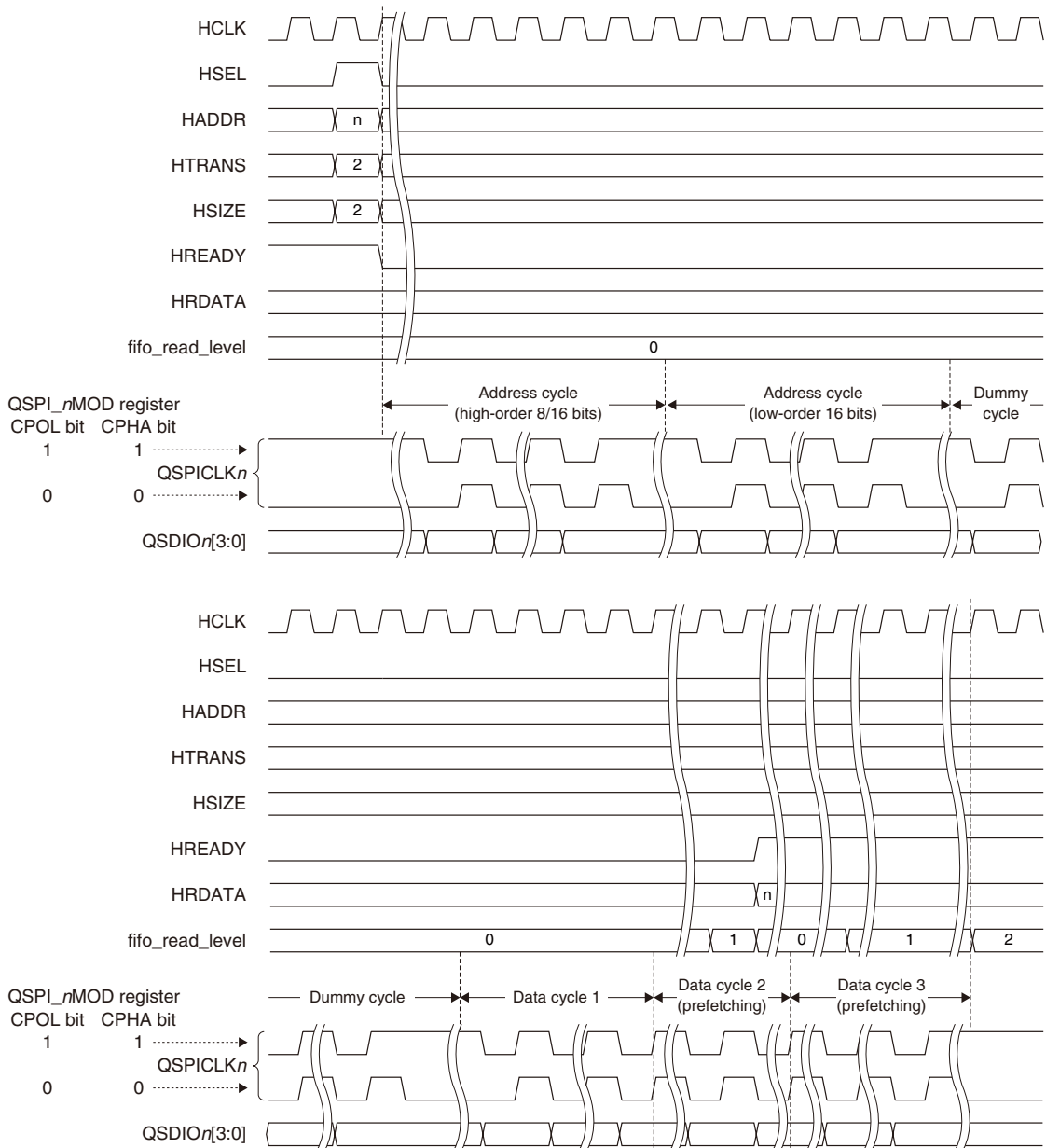


Figure 15.5.6.1 Data Receiving Operation in Memory Mapped Access Mode - First 32-bit Read

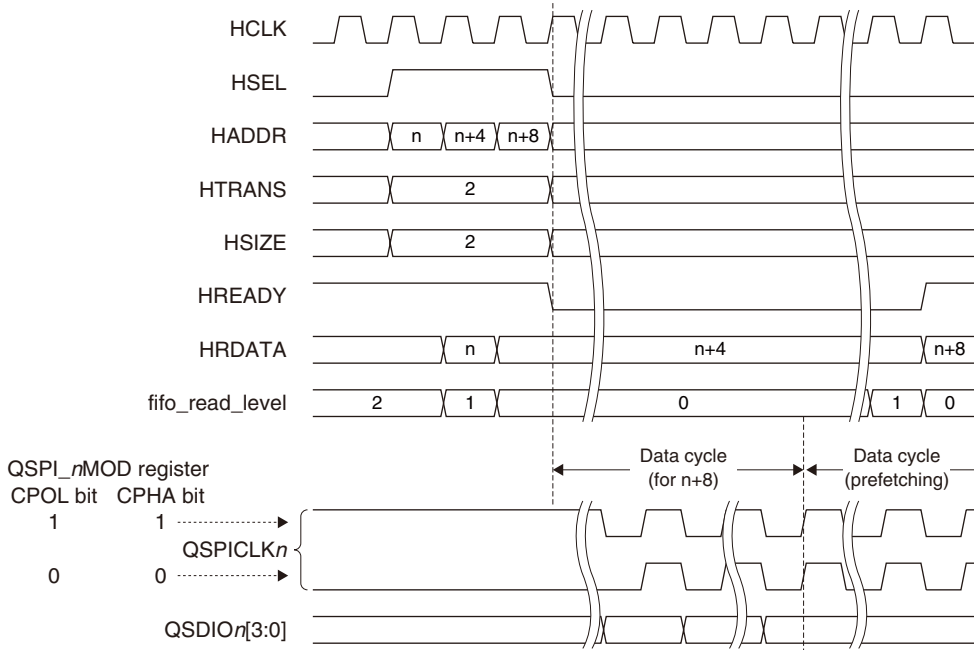


Figure 15.5.6.2 Data Receiving Operation in Memory Mapped Access Mode - 32-bit Sequential Read

15 Quad Synchronous Serial Interface (QSPI)

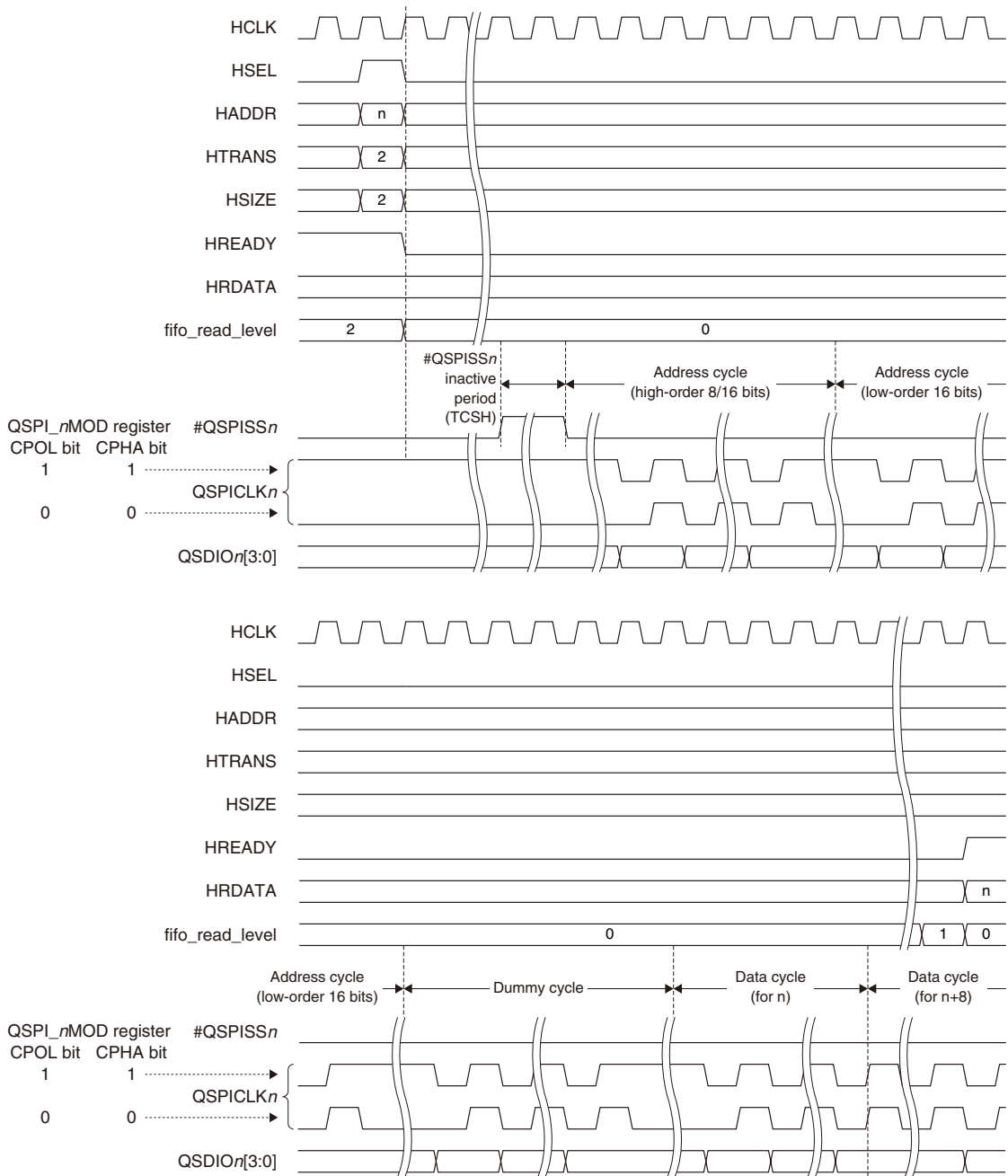


Figure 15.5.6.3 Data Receiving Operation in Memory Mapped Access Mode - 32-bit Non-Sequential Read

Data receiving operations (8/16-bit read)

The 8 and 16-bit read operations are the same as the 32-bit read operation except that data are not prefetched into the FIFO.

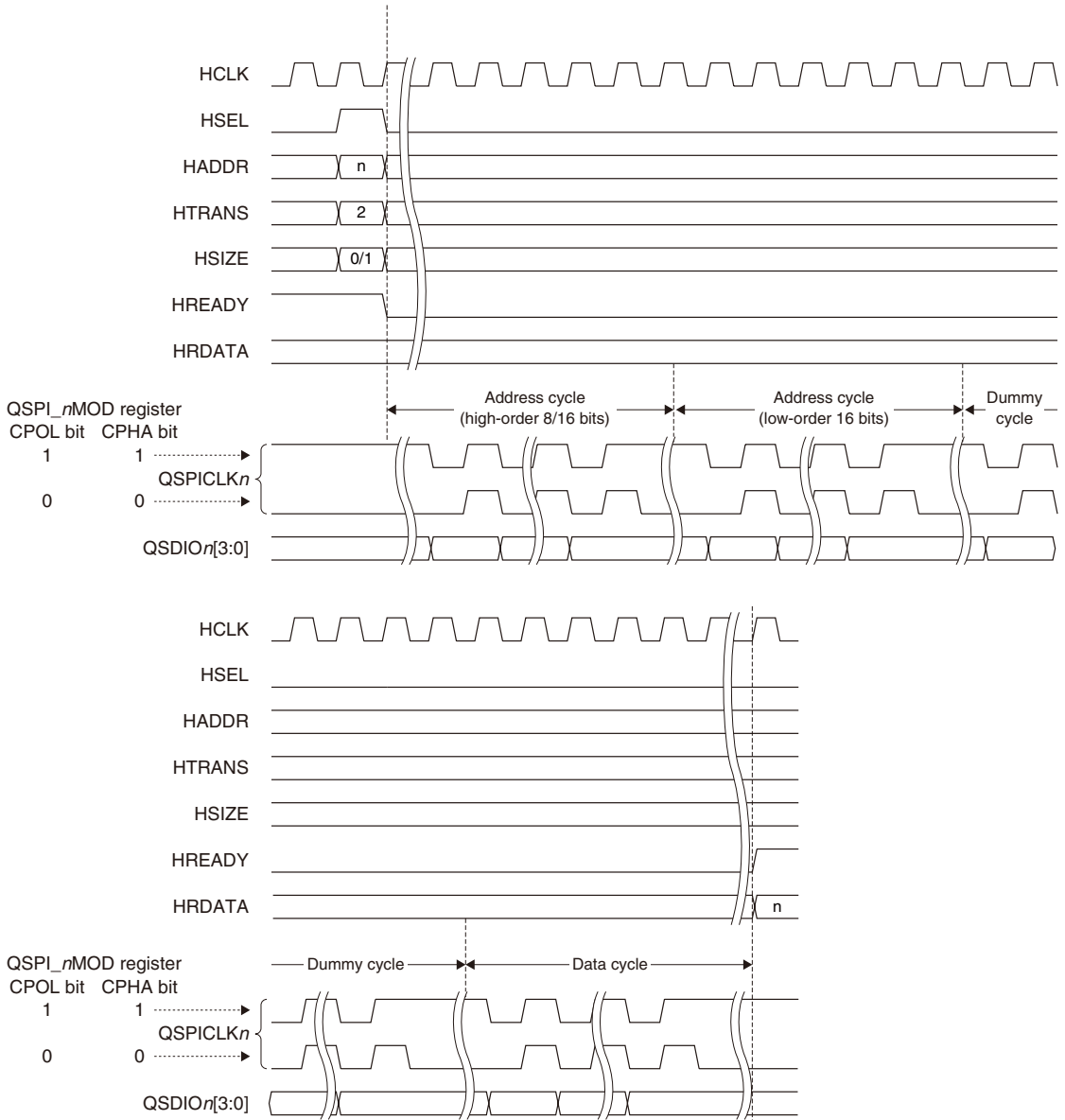


Figure 15.5.6.4 Data Receiving Operation in Memory Mapped Access Mode - First 8/16-bit Read

15 Quad Synchronous Serial Interface (QSPI)

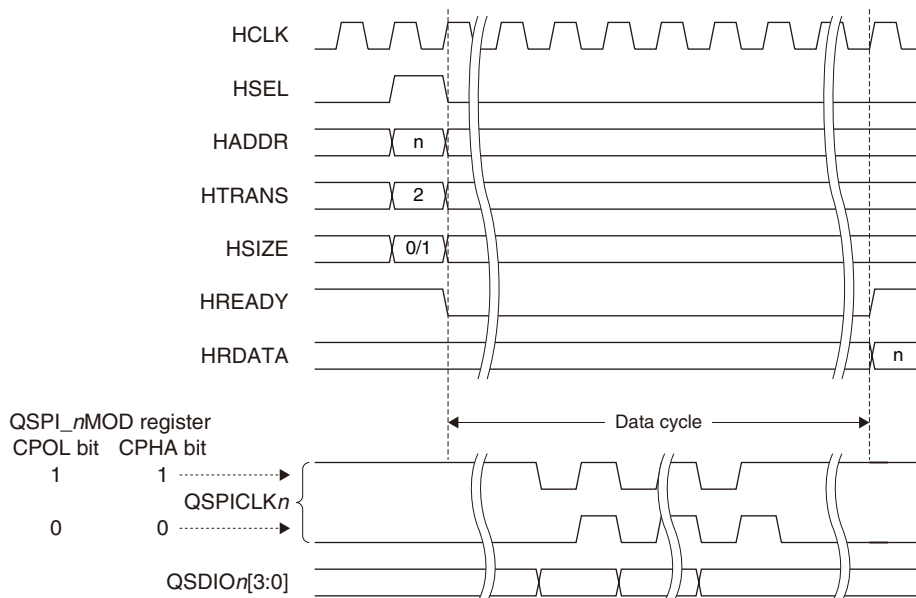


Figure 15.5.6.5 Data Receiving Operation in Memory Mapped Access Mode - 8/16-bit Sequential Read

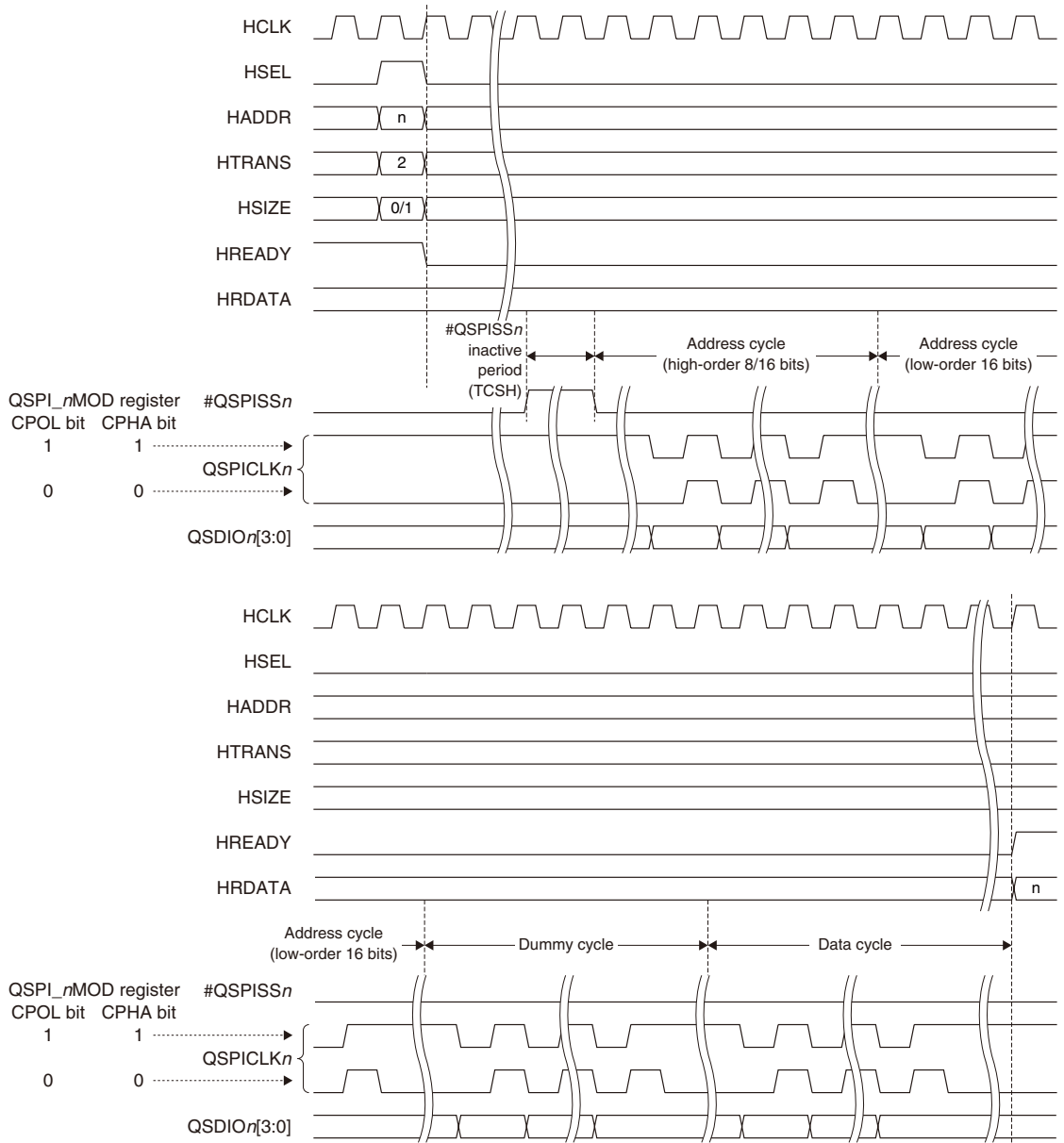


Figure 15.5.6.6 Data Receiving Operation in Memory Mapped Access Mode - 8/16-bit Non-Sequential Read

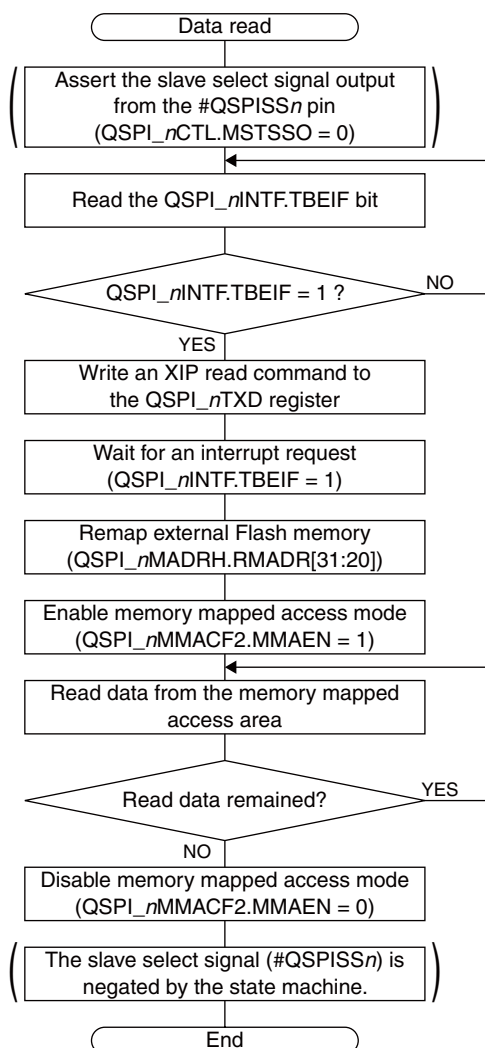


Figure 15.5.6.7 Data Reception Flowchart in Memory Mapped Access Mode

Data reception using DMA

In memory mapped access mode, DMA transfer from the external Flash memory to the internal memory is allowed only for the 32-bit sequential read using the internal FIFO. A non-sequential read and 8/16-bit reads cannot issue a DMA transfer request as they cannot use the FIFO.

By setting the QSPI_nFRLDMAEN.FRLDMAEN_x bit to 1 (DMA transfer request enabled), a DMA transfer request is sent to the DMA controller and the external Flash memory data is transferred to the specified internal memory via DMA Ch._x when the FIFO read level is incremented (FIFO data ready flag is set). This function allows high-speed data block transfer as it does not need to execute read commands and uses the data pre-fetched into the FIFO.

Note, however, that the first data read must be performed via software or a software triggered DMA.

The transfer source/destination and control data must be set for the DMA controller and the relevant DMA channel must be enabled to start a DMA transfer in advance. For more information on DMA, refer to the “DMA Controller” chapter.

Table 15.5.6.1 DMA Data Structure Configuration Example
(for 32-bit Sequential Read in Memory Mapped Access Mode)

	Item	Setting example
End pointer	Transfer source	External Flash memory transfer start address
	Transfer destination	Memory area start address from which the read data are stored
Control data	dst_inc	0x2 (+4)
	dst_size	0x2 (word)
	src_inc	0x2 (+4)
	src_size	0x2 (word)
	R_power	0x0 (arbitrated for every transfer)
	n_minus_1	Number of receive data
	cycle_ctrl	0x1 (basic transfer)

The following shows an example of the control procedure including the DMA controller operations:

1. Configure the primary data structure for the DMA channel (Ch.x) as shown in Table 15.5.6.1.
2. Enable the DMA channel using the DMA controller register.
3. Clear the channel request mask for the DMA channel using the DMA controller register.
4. Clear the DMA transfer completion interrupt flag using the DMA controller register.
5. Enable the DMA transfer completion interrupt of the DMA channel using the DMA controller register.
6. Clear pending DMA interrupts in the CPU core.
7. Enable pending DMA interrupts in the CPU core.
8. Enable the QSPI to issue DMA transfer requests to the DMA channel using the QSPI_nFRLDMAEN.FRLDMAENx bit.
9. Issue a software DMA transfer request to the DMA channel by setting the DMA controller register. This operation is required to kickstart the first data fetching.
10. Wait for a DMA interrupt.
11. Disable DMA requests to be sent to the DMA channel using the QSPI_nFRLDMAEN.FRLDMAENx bit.
12. Set the channel request masks for the DMA channel using the DMA controller register.
13. Disable the DMA channels using the DMA controller register.

15.5.7 Terminating Memory Mapped Access Operations

A procedure to terminate memory mapped access operations is shown below.

1. Write 0 to the QSPI_nMMACFG2.MMAEN bit. (Disable memory mapped access mode)
The slave select signal is negated. Note that the slave signal control via software is disabled by the state machine in memory mapped access mode.
2. Wait until the QSPI_nINTF.MMABSY bit is set to 0 (memory mapped access operation not busy).

15.5.8 Terminating Data Transfer in Master Mode

A procedure to terminate data transfer in master mode is shown below.

1. Wait for an end-of-transmission interrupt (QSPI_nINTF.TENDIF bit = 1).
2. Set the QSPI_nCTL.MODEN bit to 0 to disable the QSPI Ch.n operations.
3. Stop the 16-bit timer to disable the clock supply to QSPI Ch.n.

15.5.9 Data Transfer in Slave Mode

A data sending/receiving procedure and operations in slave mode are shown below. Figures 15.5.9.1 and 15.5.9.2 show a timing chart and flowcharts, respectively.

Data sending procedure

1. Check to see if the QSPI_nINTF.TBEIF bit is set to 1 (transmit buffer empty).
2. Write transmit data to the QSPI_nTXD register.
3. Wait for a transmit buffer empty interrupt (QSPI_nINTF.TBEIF bit = 1).
4. Repeat Steps 2 and 3 until the end of transmit data.

Note: Transmit data must be written to the QSPI_nTXD register after the QSPI_nINTF.TBEIF bit is set to 1 by the time the sending QSPI_nTXD register data written is completed. If no transmit data is written during this period, the data bits input from the QSDIO_n pins are shifted and output from the QSDIO_n pins without being modified.

Data receiving procedure

1. Wait for a receive buffer full interrupt (QSPI_nINTF.RBFIF bit = 1).
2. Read the received data from the QSPI_nRXD register.
3. Repeat Steps 1 and 2 until the end of data reception.

Data transfer operations

The following shows the slave mode operations different from master mode:

- Slave mode operates with the QSPI clock supplied from the external QSPI master to the QSPICLK_n pin. The data transfer rate is determined by the QSPICLK_n frequency. It is not necessary to control the 16-bit timer.
- QSPI can operate as a slave device only when the slave select signal input from the external QSPI master to the #QSPISS_n pin is set to the active (low) level. If #QSPISS_n = high, the software transfer control, the QSPICLK_n pin input, and the QSDIO_n pins input are all ineffective. If the #QSPISS_n signal goes high during data transfer, the transfer bit counter is cleared and data in the shift register is discarded.
- Slave mode starts data transfer when QSPICLK_n is input from the external QSPI master after the #QSPISS_n signal is asserted. Writing transmit data is not a trigger to start data transfer. Therefore, it is not necessary to write dummy data to the transmit data buffer when performing data reception only.
- Data transmission/reception can be performed even in SLEEP mode, it makes it possible to wake the CPU up using a QSPI interrupt.

Other operations are the same as master mode.

- Notes:**
- If data of the number of cycles specified by the QSPI_nMOD.CHLN[3:0] bits is received when the QSPI_nINTF.RBFIF bit is set to 1, the QSPI_nRXD register is overwritten with the newly received data and the previously received data is lost. In this case, the QSPI_nINTF.OEIF bit is set.
 - When the clock for the first bit is input from the QSPICLK_n pin, QSPI starts sending the data currently stored in the shift register even if the QSPI_nINTF.TBEIF bit is set to 1.

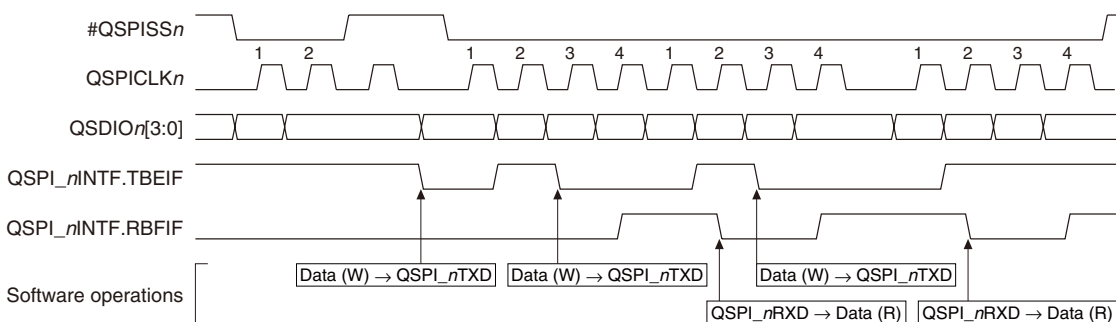


Figure 15.5.9.1 Example of Data Transfer Operations in Slave Mode
(QSPI_nMOD.CHDL[3:0] bits = QSPI_nMOD.CHLN[3:0] bits = 0x3)

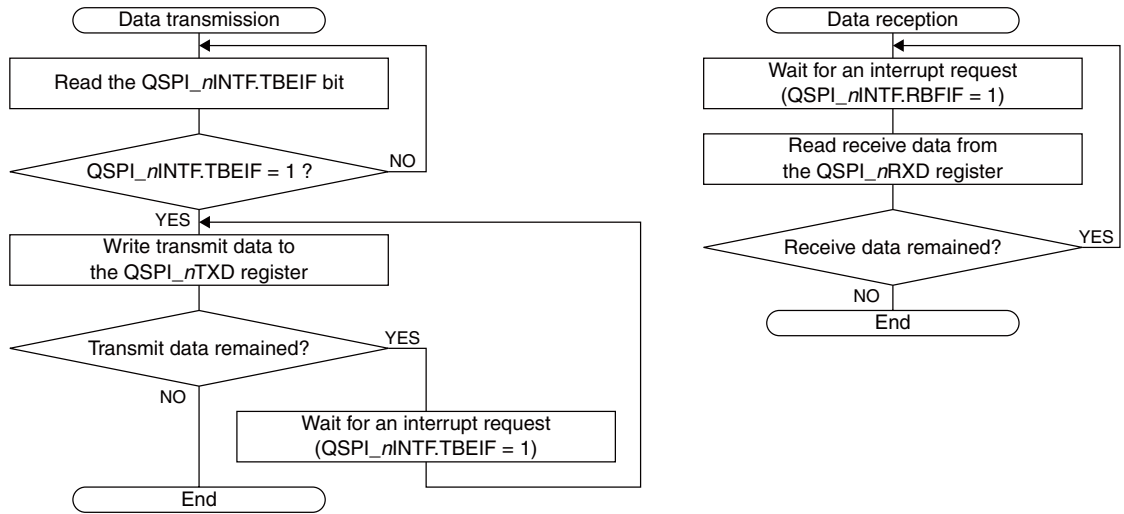


Figure 15.5.9.2 Data Transfer Flowcharts in Slave Mode

15.5.10 Terminating Data Transfer in Slave Mode

A procedure to terminate data transfer in slave mode is shown below.

1. Wait for an end-of-transmission interrupt (QSPI_nINTF.TENDIF bit = 1). Or determine end of transfer via the received data.
2. Set the QSPI_nCTL.MODEN bit to 0 to disable the QSPI Ch.n operations.

15.6 Interrupts

The QSPI has a function to generate the interrupts shown in Table 15.6.1.

Table 15.6.1 QSPI Interrupt Function

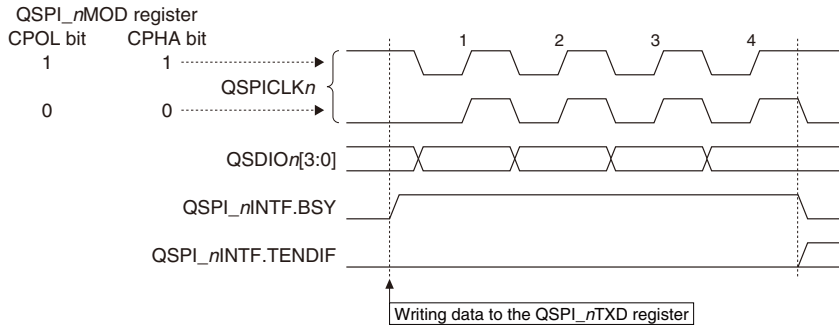
Interrupt	Interrupt flag	Set condition	Clear condition
End of transmission	QSPI_nINTF.TENDIF	When the QSPI_nINTF.TBEIF bit = 1 after data of the specified bit length (defined by the QSPI_nMOD.CHLN[3:0] bits) has been sent	Writing 1
Receive buffer full	QSPI_nINTF.RBFIF	When data of the specified bit length is received and the received data is transferred from the shift register to the received data buffer	Reading of the QSPI_nRXD register
Transmit buffer empty	QSPI_nINTF.TBEIF	When transmit data written to the transmit data buffer is transferred to the shift register	Writing to the QSPI_nTXD register
Overrun error	QSPI_nINTF.OEIF	When the receive data buffer is full (when the received data has not been read) at the point that receiving data to the shift register has completed	Writing 1

The QSPI provides interrupt enable bits corresponding to each interrupt flag. An interrupt request is sent to the CPU core only when the interrupt flag, of which interrupt has been enabled by the interrupt enable bit, is set. For more information on interrupt control, refer to the “Interrupt” chapter.

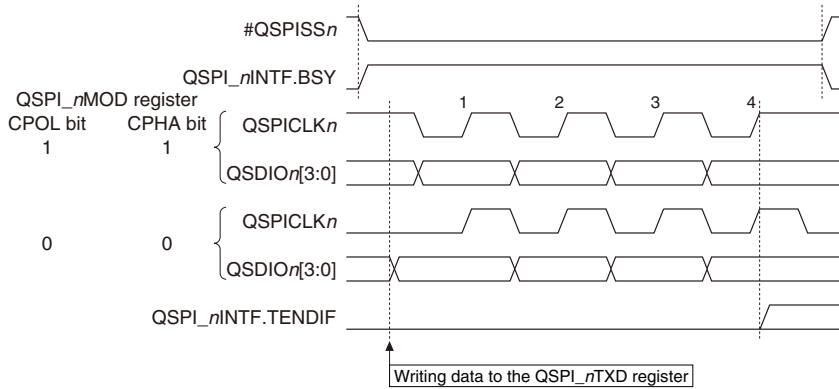
The QSPI_nINTF register also contains the BSY and MMABSY bits that indicate the QSPI operating status in register access and memory mapped access modes, respectively. Figure 15.6.1 shows the QSPI_nINTF.BSY, QSPI_nINTF.MMABSY and QSPI_nINTF.TENDIF bit set timings.

15 Quad Synchronous Serial Interface (QSPI)

Register access master mode



Slave mode



Memory mapped access mode

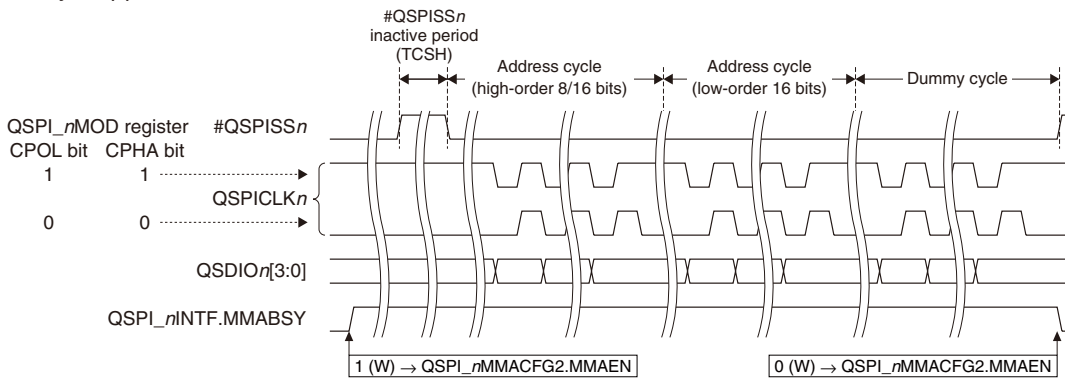


Figure 15.6.1 QSPI_nINTF.BSY, QSPI_nINTF.MMABSY, and QSPI_nINTF.TENDIF Bit Set Timings
(when QSPI_nMOD.CHDL[3:0] bits = QSPI_nMOD.CHLN[3:0] bits = 0x3)

15.7 DMA Transfer Requests

The QSPI has a function to generate DMA transfer requests from the causes shown in Table 15.7.1.

Table 15.7.1 DMA Transfer Request Causes of QSPI

Cause to request DMA transfer	DMA transfer request flag	Set condition	Clear condition
Receive buffer full	Receive buffer full flag (QSPI_nINTF.RBFIF)	When data of the specified bit length is received and the received data is transferred from the shift register to the received data buffer	Reading of the QSPI_nRXD register
Transmit buffer empty	Transmit buffer empty flag (QSPI_nINTF.TBEIF)	When transmit data written to the transmit data buffer is transferred to the shift register	Writing to the QSPI_nTXD register
Memory mapped access FIFO data ready	Memory mapped access FIFO data ready flag (internal signal)	When a 32-bit data is prefetched into the FIFO in memory mapped access mode	When the FIFO read level is cleared to 0

The QSPI provides DMA transfer request enable bits corresponding to each DMA transfer request flag shown above for the number of DMA channels. A DMA transfer request is sent to the pertinent channel of the DMA controller only when the DMA transfer request flag, of which DMA transfer has been enabled by the DMA transfer request enable bit, is set. The receive buffer full and transmit buffer empty DMA transfer request flags also serve as interrupt flags, therefore, both the DMA transfer request and the interrupt cannot be enabled at the same time. After a DMA transfer has completed, disable the DMA transfer to prevent unintended DMA transfer requests from being issued. For more information on the DMA control, refer to the “DMA Controller” chapter.

15.8 Control Registers

QSPI Ch.*n* Mode Register

Register name	Bit	Bit name	Initial	Reset	R/W	Remarks
QSPI_ <i>n</i> MOD	15–12	CHDL[3:0]	0x7	H0	R/W	–
	11–8	CHLN[3:0]	0x7	H0	R/W	
	7–6	TMOD[1:0]	0x0	H0	R/W	
	5	PUEN	0	H0	R/W	
	4	NOCLKDIV	0	H0	R/W	
	3	LSBFST	0	H0	R/W	
	2	CPHA	0	H0	R/W	
	1	CPOL	0	H0	R/W	
0	MST	0	H0	R/W		

Bits 15–12 CHDL[3:0]

These bits set the number of clocks to drive the serial output data lines. This setting is required to output the XIP confirmation bit to Micron Flash memories or to output the mode byte to Spansion Flash memories.

Table 15.8.1 Data Line Drive Length Settings

QSPI_ <i>n</i> MOD.CHDL[3:0] bits	Data line drive length
0xf	16 clocks
0xe	15 clocks
0xd	14 clocks
0xc	13 clocks
0xb	12 clocks
0xa	11 clocks
0x9	10 clocks
0x8	9 clocks
0x7	8 clocks
0x6	7 clocks
0x5	6 clocks
0x4	5 clocks
0x3	4 clocks
0x2	3 clocks
0x1	2 clocks
0x0	1 clock

These bits must be set to a value smaller than or equal to the QSPI_*n*MOD.CHLN[3:0] bit setting.

Note: When using the QSPI in slave mode, the QSPI_*n*MOD.CHDL[3:0] bits should be set to the same value as the QSPI_*n*MOD.CHLN[3:0] bits.

Bits 11–8 CHLN[3:0]

These bits set the number of clocks for data transfer.

Table 15.8.2 Setting of Number of Data Transfer Clocks

QSPI_nMOD.CHLN[3:0] bits	Number of data transfer clocks
0xf	16 clocks
0xe	15 clocks
0xd	14 clocks
0xc	13 clocks
0xb	12 clocks
0xa	11 clocks
0x9	10 clocks
0x8	9 clocks
0x7	8 clocks
0x6	7 clocks
0x5	6 clocks
0x4	5 clocks
0x3	4 clocks
0x2	3 clocks
0x1	2 clocks
0x0	Setting prohibited

Bits 7–6 TMOD[1:0]

These bits select a transfer mode.

Table 15.8.3 Transfer Mode

QSPI_nMOD.TMOD[1:0] bits	Transfer mode
0x3	Reserved
0x2	Quad transfer mode The QSDIO _n [3:0] pins are configured as input or output pins according to the QSPI_nMOD.DIR bit setting.
0x1	Dual transfer mode The QSDIO _n [1:0] pins are configured as input or output pins according to the QSPI_nMOD.DIR bit setting. The QSDIO _n [3:2] pins are not used.
0x0	Single transfer mode The QSDIO _n 0 and QSDIO _n 1 pins are configured as an output pin and an input pin, respectively. The QSDIO _n [3:2] pins are not used.

Bit 5 PUEN

This bit enables pull-up/down of the pins that are configured as an input or are not used.

1 (R/W): Enable pull-up/down

0 (R/W): Disable pull-up/down

For more information, refer to “Input Pin Pull-Up/Pull-Down Function.”

Bit 4 NOCLKDIV

This bit selects QSPICLK_n in master mode. This setting is ineffective in slave mode.

1 (R/W): QSPICLK_n frequency = CLK_QSPI_n frequency (= 16-bit timer operating clock frequency)

0 (R/W): QSPICLK_n frequency = 16-bit timer output frequency / 2

For more information, refer to “QSPI Operating Clock.”

Bit 3 LSBFST

This bit configures the data format (input/output permutation).

1 (R/W): LSB first

0 (R/W): MSB first

Bit 2 CPHA**Bit 1 CPOL**

These bits set the QSPI clock phase and polarity. For more information, refer to “QSPI Clock (QSPI-CLK_n) Phase and Polarity.”

Bit 0 MST

This bit sets the QSPI operating mode (master mode or slave mode).

1 (R/W): Master mode

0 (R/W): Slave mode

Note: The QSPI_nMOD register settings can be altered only when the QSPI_nCTL.MODEN bit = 0.

QSPI Ch.n Control Register

Register name	Bit	Bit name	Initial	Reset	R/W	Remarks
QSPI_nCTL	15–8	–	0x00	–	R	–
	7–4	–	0x0	–	R	
	3	DIR	0	H0	R/W	
	2	MSTSSO	1	H0	R/W	
	1	SFTRST	0	H0	R/W	
	0	MODEN	0	H0	R/W	

Bits 15–4 Reserved**Bit 3 DIR**

This bit sets the data transfer direction on the QSDIO_n[3:0] lines when the QSPI_nMOD.TMOD[1:0] bits are set to 1 or 2.

1 (R/W): Input

0 (R/W): Output

Bit 2 MSTSSO

This bit controls and indicates the #QSPISS_n pin status.

1 (R/W): #QSPISS_n = high (The device is deselected.)

0 (R/W): #QSPISS_n = low (The device is selected.)

In memory mapped access mode, the #QSPISS_n pin is automatically controlled by the internal state machine. Reading this bit allows monitoring of the current #QSPISS_n pin output status at any time.

Bit 1 SFTRST

This bit issues software reset to QSPI.

1 (W): Issue software reset

0 (W): Ineffective

1 (R): Software reset is executing.

0 (R): Software reset has finished. (During normal operation)

Setting this bit resets the QSPI shift register and transfer bit counter. This bit is automatically cleared after the reset processing has finished.

Bit 0 MODEN

This bit enables the QSPI operations.

1 (R/W): Enable QSPI operations (The operating clock is supplied.)

0 (R/W): Disable QSPI operations (The operating clock is stopped.)

Note: If the QSPI_nCTL.MODEN bit is altered from 1 to 0 while sending/receiving data, the data being sent/received cannot be guaranteed. When setting the QSPI_nCTL.MODEN bit to 1 again after that, be sure to write 1 to the QSPI_nCTL.SFTRST bit as well.

QSPI Ch.n Transmit Data Register

Register name	Bit	Bit name	Initial	Reset	R/W	Remarks
QSPI_nTXD	15-0	TXD[15:0]	0x0000	H0	R/W	–

Bits 15-0 TXD[15:0]

Data can be written to the transmit data buffer through these bits. Writing to these bits starts data transfer. Transmit data can be written when the QSPI_nINTF.TBEIF bit = 1 regardless of whether data is being output from the QSDION pins or not.

Note that the upper data bits that exceed the data bit length configured by the QSPI_nMOD.CHNLN[3:0] bits will not be output from the QSDION pin.

Note: Be sure to avoid writing to the QSPI_nTXD register when the QSPI_nINTF.TBEIF bit = 0. Otherwise, transfer data cannot be guaranteed.

QSPI Ch.n Receive Data Register

Register name	Bit	Bit name	Initial	Reset	R/W	Remarks
QSPI_nRXD	15-0	RXD[15:0]	0x0000	H0	R	–

Bits 15-0 RXD[15:0]

The receive data buffer can be read through these bits. Received data can be read when the QSPI_nINTF.RBFIF bit = 1 regardless of whether data is being input from the QSDION pin or not.

Note that the upper bits that exceed the data bit length configured by the QSPI_nMOD.CHNLN[3:0] bits become 0.

QSPI Ch.n Interrupt Flag Register

Register name	Bit	Bit name	Initial	Reset	R/W	Remarks
QSPI_nINTF	15-8	–	0x00	–	R	–
	7	BSY	0	H0	R	
	6	MMABSY	0	H0	R	
	5-4	–	0x0	–	R	
	3	OEIF	0	H0/S0	R/W	Cleared by writing 1.
	2	TENDIF	0	H0/S0	R/W	
	1	RBFIF	0	H0/S0	R	Cleared by reading the QSPI_nRXD register.
0	TBEIF	1	H0/S0	R	Cleared by writing to the QSPI_nTXD register.	

Bits 15-8 Reserved

Bit 7 BSY

This bit indicates the QSPI operating status.

1 (R): Transmit/receive busy

0 (R): Idle

Bit 6 MMABSY

This bit indicates the QSPI memory mapped access operating status.

1 (R): Memory mapped access state machine busy

0 (R): Idle

Bits 5-4 Reserved

Bit 3 **OEIF**
Bit 2 **TENDIF**
Bit 1 **RBFIF**
Bit 0 **TBEIF**

These bits indicate the QSPI interrupt cause occurrence status.

1 (R): Cause of interrupt occurred
 0 (R): No cause of interrupt occurred
 1 (W): Clear flag (OEIF, TENDIF)
 0 (W): Ineffective

The following shows the correspondence between the bit and interrupt:

QSPI_nINTF.OEIF bit: Overrun error interrupt
 QSPI_nINTF.TENDIF bit: End-of-transmission interrupt
 QSPI_nINTF.RBFIF bit: Receive buffer full interrupt
 QSPI_nINTF.TBEIF bit: Transmit buffer empty interrupt

QSPI Ch.n Interrupt Enable Register

Register name	Bit	Bit name	Initial	Reset	R/W	Remarks
QSPI_nINTE	15–8	–	0x00	–	R	–
	7–4	–	0x0	–	R	
	3	OEIE	0	H0	R/W	
	2	TENDIE	0	H0	R/W	
	1	RBFIE	0	H0	R/W	
	0	TBEIE	0	H0	R/W	

Bits 15–4 Reserved

Bit 3 **OEIE**
Bit 2 **TENDIE**
Bit 1 **RBFIE**
Bit 0 **TBEIE**

These bits enable QSPI interrupts.

1 (R/W): Enable interrupts
 0 (R/W): Disable interrupts

The following shows the correspondence between the bit and interrupt:

QSPI_nINTE.OEIE bit: Overrun error interrupt
 QSPI_nINTE.TENDIE bit: End-of-transmission interrupt
 QSPI_nINTE.RBFIE bit: Receive buffer full interrupt
 QSPI_nINTE.TBEIE bit: Transmit buffer empty interrupt

QSPI Ch.n Transmit Buffer Empty DMA Request Enable Register

Register name	Bit	Bit name	Initial	Reset	R/W	Remarks
QSPI_nTBEDMAEN	15–0	TBEDMAEN[15:0]	0x0000	H0	R/W	–

Bits 15–0 TBEDMAEN[15:0]

These bits enable the QSPI to issue a DMA transfer request to the corresponding DMA channel (Ch.0–Ch.15) when a transmit buffer empty state has occurred.

1 (R/W): Enable DMA transfer request
 0 (R/W): Disable DMA transfer request

Each bit corresponds to a DMA controller channel. The high-order bits for the unimplemented channels are ineffective.

QSPI Ch.n Receive Buffer Full DMA Request Enable Register

Register name	Bit	Bit name	Initial	Reset	R/W	Remarks
QSPI_nRBFDMAEN	15-0	RBFDMAEN[15:0]	0x0000	–	R/W	–

Bits 15-0 RBFDMAEN[15:0]

These bits enable the QSPI to issue a DMA transfer request to the corresponding DMA channel (Ch.0–Ch.15) when a receive buffer full state has occurred.

1 (R/W): Enable DMA transfer request

0 (R/W): Disable DMA transfer request

Each bit corresponds to a DMA controller channel. The high-order bits for the unimplemented channels are ineffective.

QSPI Ch.n FIFO Data Ready DMA Request Enable Register

Register name	Bit	Bit name	Initial	Reset	R/W	Remarks
QSPI_nFRLDMAEN	15-8	FRLDMAEN[15:0]	0x0000	H0	R/W	–

Bits 15-0 FRLDMAEN[15:0]

These bits enable the QSPI to issue a DMA transfer request to the corresponding DMA channel (Ch.0–Ch.15) when data is prefetched into the FIFO (FIFO data ready).

1 (R/W): Enable DMA transfer request

0 (R/W): Disable DMA transfer request

Each bit corresponds to a DMA controller channel. The high-order bits for the unimplemented channels are ineffective.

QSPI Ch.n Memory Mapped Access Configuration Register 1

Register name	Bit	Bit name	Initial	Reset	R/W	Remarks
QSPI_nMMACFG1	15-8	–	0x00	–	R	–
	7-4	–	0x0	–	R	
	3-0	TCSH[3:0]	0x0	H0	R/W	

Bits 15-4 Reserved**Bits 3-0 TCSH[3:0]**

When non-sequential reading from a Flash memory address, which is not continuous to the previous read address, occurs in memory mapped access mode, the #QSPISS_n signal is reasserted after negated once. Then the new address is sent to the Flash memory before reading data.

The QSPI_nMMACFG1.TCSH[3:0] bits specify the period to negate the #QSPISS_n signal at this time in a number of clocks.

Table 15.8.4 #QSPISS_n Inactive Period between Non-Sequential Readings

QSPI_nMMACFG1.TCSH[3:0] bits	#QSPISS _n Inactive Period
0xf	16 clocks
0xe	15 clocks
0xd	14 clocks
0xc	13 clocks
0xb	12 clocks
0xa	11 clocks
0x9	10 clocks
0x8	9 clocks
0x7	8 clocks
0x6	7 clocks
0x5	6 clocks
0x4	5 clocks
0x3	4 clocks
0x2	3 clocks
0x1	2 clocks
0x0	1 clock

Note: These bits specify a number of system clocks.

QSPI Ch.n Remapping Start Address High Register

Register name	Bit	Bit name	Initial	Reset	R/W	Remarks
QSPI_nRMADRH	15–4	RMADR[31:20]	0x000	H0	R/W	–
	3–0	–	0x0	–	R	

Bits 15–4 RMADR[31:20]

These bits specify the high-order 12 bits of the external Flash memory area start address (assumed as 32 bits) to be remapped to the system memory area allocated for memory mapped access mode. When the external Flash memory is read using the memory mapped access function, the value specified here is added, as an offset, to the relative address in the memory mapped access area to generate the external Flash memory address to actually be accessed.

Note: Make sure the QSPI_nMMACFG2.MMAEN = 0 when altering the QSPI_nRMADRH.RMADR[31:20] bits.

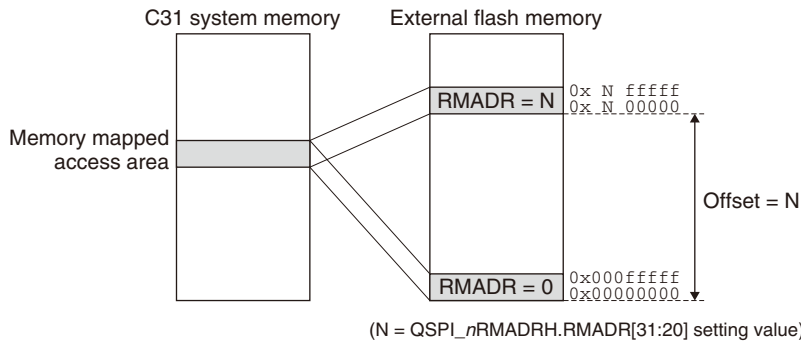


Figure 15.8.1 External Flash Memory Remapping

Bits 3–0 Reserved

QSPI Ch.n Memory Mapped Access Configuration Register 2

Register name	Bit	Bit name	Initial	Reset	R/W	Remarks
QSPI_nMMACFG2	15–12	DUMDL[3:0]	0x0	H0	R/W	–
	11–8	DUMLN[3:0]	0x0	H0	R/W	
	7–6	DATTMOD[1:0]	0x0	H0	R/W	
	5–4	DUMTMOD[1:0]	0x0	H0	R/W	
	3–2	ADRTMOD[1:0]	0x0	H0	R/W	
	1	ADRCYC	0	H0	R/W	
0	MMAEN	0	H0	R/W		

Bits 15–12 DUMDL[3:0]

These bits set the number of clocks for driving the serial data lines during the dummy cycle output when accessing the external Flash memory in the memory mapped access mode. This setting is required to output the XIP confirmation bit to Micron Flash memories or to output the mode byte to Spansion Flash memories.

Table 15.8.5 Settings of Data Line Drive Length during Dummy Cycle

QSPI_nMMACFG2.DUMDL[3:0] bits	Data line drive length
0xf	16 clocks
0xe	15 clocks
0xd	14 clocks
0xc	13 clocks
0xb	12 clocks
0xa	11 clocks
0x9	10 clocks
0x8	9 clocks
0x7	8 clocks
0x6	7 clocks
0x5	6 clocks
0x4	5 clocks
0x3	4 clocks
0x2	3 clocks
0x1	2 clocks
0x0	1 clock

These bits must be set to a value smaller than or equal to the QSPI_nMMACFG2.DUMLN[3:0] bit setting.

Bits 11–8 DUMLN[3:0]

These bits set the dummy cycle length in a number of clocks when accessing the external Flash memory in the memory mapped access mode.

Table 15.8.6 Dummy Cycle Length Settings

QSPI_nMMACFG2.DUMLN[3:0] bits	Dummy cycle length
0xf	16 clocks
0xe	15 clocks
0xd	14 clocks
0xc	13 clocks
0xb	12 clocks
0xa	11 clocks
0x9	10 clocks
0x8	9 clocks
0x7	8 clocks
0x6	7 clocks
0x5	6 clocks
0x4	5 clocks
0x3	4 clocks
0x2	3 clocks
0x1	2 clocks
0x0	Setting prohibited

Bits 7–6 DATTMOD[1:0]

These bits select the transfer mode for the data cycle when accessing the external Flash memory in the memory mapped access mode.

Table 15.8.7 Transfer Mode for Data, Dummy, and Address Cycles

QSPI_nMMACFG2.DATTMOD[1:0] bits QSPI_nMMACFG2.DUMTMOD[1:0] bits QSPI_nMMACFG2.ADRTMOD[1:0] bits	Transfer mode
0x3	Reserved
0x2	Quad transfer mode The QSDIO _n [3:0] pins are used.
0x1	Dual transfer mode The QSDIO _n [1:0] pins are used. The QSDIO _n [3:2] pins are not used.
0x0	Single transfer mode The QSDIO _n [1:0] pins are used. The QSDIO _n [3:2] pins are not used.

Bits 5–4 DUMTMOD[1:0]

These bits select the transfer mode for the dummy cycle when accessing the external Flash memory in the memory mapped access mode.

Bits 3–2 ADRTMOD[1:0]

These bits select the transfer mode for the address cycle when accessing the external Flash memory in the memory mapped access mode.

Bit 1 ADRCYC

This bit selects the address mode from 24 and 32 bits when accessing the external Flash memory in the memory mapped access mode.

1 (R/W): 32-bit address mode (4-byte address cycle)

0 (R/W): 24-bit address mode (3-byte address cycle)

Bit 0 MMAEN

This bit enables memory mapped access mode for accessing the external Flash memory.

1 (R/W): Enable memory mapped access mode

0 (R/W): Disable memory mapped access mode (register access mode)

When this bit is altered from 1 to 0, the QSPI sends extra address and dummy cycles to the external Flash memory. The address cycle outputs either a three or four-byte address according to the QSPI_*n*MMACFG2.ADRCYC bit setting, with all address bits set to 1. The dummy cycle is output according to the QSPI_*n*MMACFG2.DUMLN[3:0] and QSPI_*n*MMACFG2.DUMDL[3:0] bit settings, with a mode byte for terminating the XIP session of the external Flash memory that has been configured using the QSPI_*n*MB.XIPEXT[7:0] bits.

Note: Slave mode does not support memory mapped access mode, therefore, setting the QSPI_*n*MMACFG2.MMAEN bit to 1 does not take effect when the QSPI_*n*MOD.MST bit = 0.

QSPI Ch.*n* Mode Byte Register

Register name	Bit	Bit name	Initial	Reset	R/W	Remarks
QSPI_ <i>n</i> MB	15–8	XIPACT[7:0]	0x00	H0	R/W	–
	7–0	XIPEXT[7:0]	0x00	H0	R/W	

Bits 15–8 XIPACT[7:0]

These bits configure the mode byte for activating an XIP session of the external Flash memory to be accessed in memory mapped access mode.

Bits 7–0 XIPEXT[7:0]

These bits configure the mode byte for terminating the XIP session of the external Flash memory being accessed in memory mapped access mode.

Note: In memory mapped access mode, the mode byte is always output from the LSB first. When using a Flash memory that expects the mode byte to be output from the MSB first, write the mode byte to this register in reverse bit order.

16 I²C (I2C)

16.1 Overview

The I2C is a subset of the I²C bus interface. The features of the I2C are listed below.

- Functions as an I²C bus master (single master) or a slave device.
- Supports standard mode (up to 100 kbit/s) and fast mode (up to 400 kbit/s).
- Supports 7-bit and 10-bit address modes.
- Supports clock stretching.
- Includes a baud rate generator for generating the clock in master mode.
- No clock source is required to run the I2C in slave mode, as it can run with the I²C bus signals only.
- Slave mode is capable of being operated in SLEEP mode allowing wake-up by an interrupt when an address match is detected.
- Master mode supports automatic bus clear sending function.
- Can generate receive buffer full, transmit buffer empty, and other interrupts.
- Can issue a DMA transfer request when a receive buffer full or a transmit buffer empty occurs.

Figure 16.1.1 shows the I2C configuration.

Table 16.1.1 I2C Channel Configuration of S1C31W74

Item	S1C31W74
Number of channels	2 channels (Ch.0 and Ch.1)

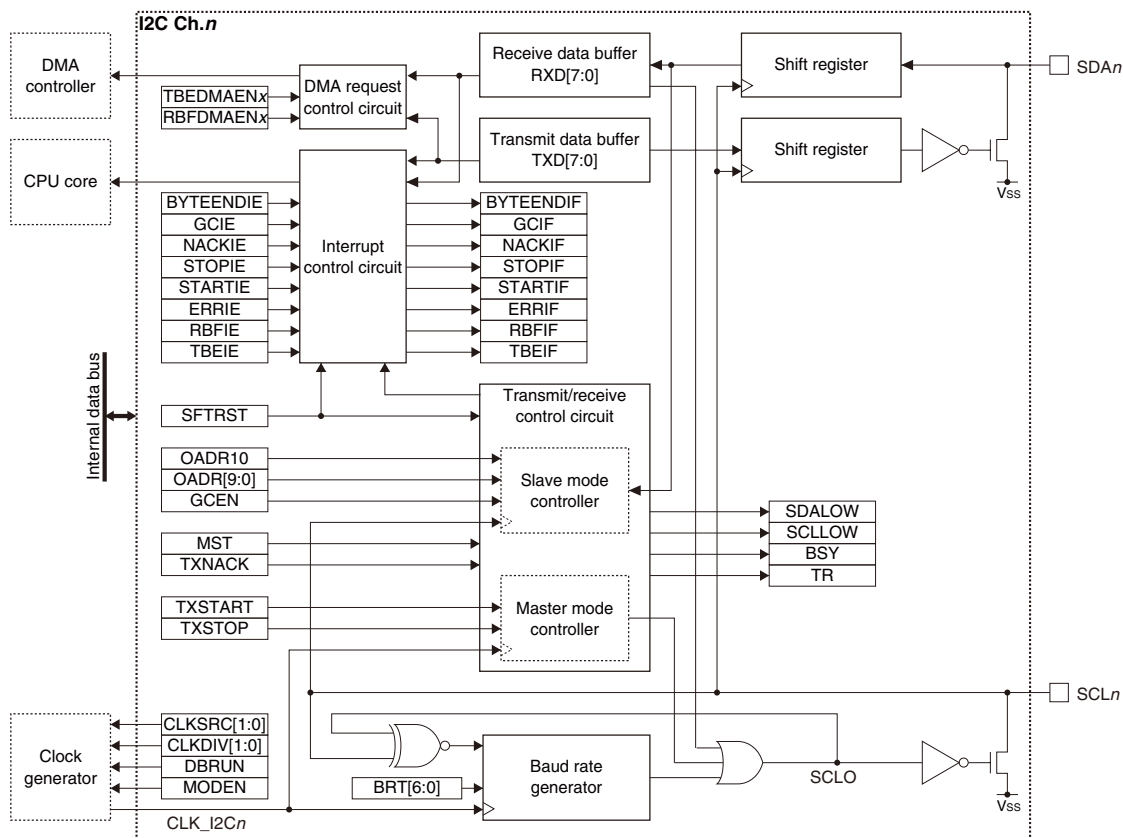


Figure 16.1.1 I2C Configuration

16.2 Input/Output Pins and External Connections

16.2.1 List of Input/Output Pins

Table 16.2.1.1 lists the I²C pins.

Table 16.2.1.1 List of I²C Pins

Pin name	I/O*	Initial status*	Function
SDA _n	I/O	I	I ² C bus serial data input/output pin
SCL _n	I/O	I	I ² C bus clock input/output pin

* Indicates the status when the pin is configured for the I²C.

If the port is shared with the I²C pin and other functions, the I²C input/output function must be assigned to the port before activating the I²C. For more information, refer to the “I/O Ports” chapter.

16.2.2 External Connections

Figure 16.2.2.1 shows a connection diagram between the I²C in this IC and external I²C devices.

The serial data (SDA) and serial clock (SCL) lines must be pulled up with an external resistor.

When the I²C is set into master mode, one or more slave devices that have a unique address may be connected to the I²C bus. When the I²C is set into slave mode, one or more master and slave devices that have a unique address may be connected to the I²C bus.

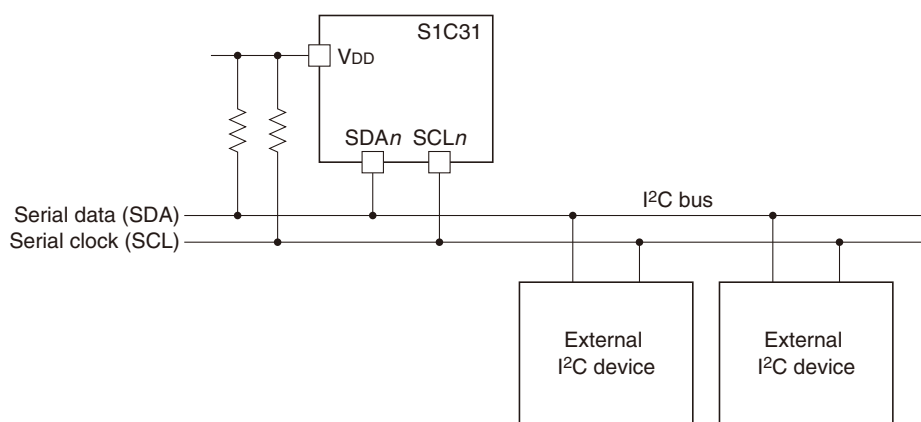


Figure 16.2.2.1 Connections between I²C and External I²C Devices

- Notes:**
- The SDA and SCL lines must be pulled up to a V_{DD} of this IC or lower voltage. However, if the I²C input/output ports are configured with the over voltage tolerant fail-safe type I/O, these lines can be pulled up to a voltage exceeding the V_{DD} of this IC but within the recommended operating voltage range of this IC.
 - The internal pull-up resistors for the I/O ports cannot be used for pulling up SDA and SCL.
 - When the I²C is set into master mode, no other master device can be connected to the I²C bus.

16.3 Clock Settings

16.3.1 I2C Operating Clock

Master mode operating clock

When using the I2C Ch.*n* in master mode, the I2C Ch.*n* operating clock CLK_I2C*n* must be supplied to the I2C Ch.*n* from the clock generator. The CLK_I2C*n* supply should be controlled as in the procedure shown below.

1. Enable the clock source in the clock generator if it is stopped (refer to “Clock Generator” in the “Power Supply, Reset, and Clocks” chapter).
2. Set the following I2C_nCLK register bits:
 - I2C_nCLK.CLKSRC[1:0] bits (Clock source selection)
 - I2C_nCLK.CLKDIV[1:0] bits (Clock division ratio selection = Clock frequency setting)

When using the I2C in master mode during SLEEP mode, the I2C Ch.*n* operating clock CLK_I2C*n* must be configured so that it will keep supplying by writing 0 to the CLGOSC.xxxxSLPC bit for the CLK_I2C*n* clock source.

The I2C operating clock should be selected so that the baud rate generator will be configured easily.

Slave mode operating clock

The I2C set to slave mode uses the SCL supplied from the I²C master as its operating clock. The clock setting by the I2C_nCLK register is ineffective.

The I2C keeps operating using the clock supplied from the external I²C master even if all the internal clocks halt during SLEEP mode, so the I2C can receive data and can generate receive buffer full interrupts.

16.3.2 Clock Supply During Debugging

In master mode, the CLK_I2C*n* supply during debugging should be controlled using the I2C_nCLK.DBRUN bit. The CLK_I2C*n* supply to the I2C Ch.*n* is suspended when the CPU enters debug state if the I2C_nCLK.DBRUN bit = 0. After the CPU returns to normal operation, the CLK_I2C*n* supply resumes. Although the I2C Ch.*n* stops operating when the CLK_I2C*n* supply is suspended, the output pin and registers retain the status before debug state was entered. If the I2C_nCLK.DBRUN bit = 1, the CLK_I2C*n* supply is not suspended and the I2C Ch.*n* will keep operating in debug state.

In slave mode, the I2C Ch.*n* operates with the external I²C master clock input from the SCL*n* pin regardless of whether the CPU is placed into debug state or normal operation state.

16.3.3 Baud Rate Generator

The I2C includes a baud rate generator to generate the serial clock SCL used in master mode. The I2C set to slave mode does not use the baud rate generator, as it operates with the serial clock input from the SCL*n* pin.

Setting data transfer rate (for master mode)

The transfer rate is determined by the I2C_nBR.BRT[6:0] bit settings. Use the following equations to calculate the setting values for obtaining the desired transfer rate.

$$\text{bps} = \frac{f_{\text{CLK_I2C}n}}{(\text{BRT} + 3) \times 2} \qquad \text{BRT} = \frac{f_{\text{CLK_I2C}n}}{\text{bps} \times 2} - 3 \qquad (\text{Eq. 16.1})$$

Where

bps: Data transfer rate [bit/s]

f_{CLK_I2C*n*}: I2C operating clock frequency [Hz]

BRT: I2C_nBR.BRT[6:0] bits setting value (1 to 127)

* The equations above do not include SCL rising/falling time and delay time by clock stretching (see Figure 16.3.3.1).

Note: The I²C bus transfer rate is limited to 100 kbit/s in standard mode or 400 kbit/s in fast mode. Do not set a transfer rate exceeding the limit.

Baud rate generator clock output and operations for supporting clock stretching

Figure 16.3.3.1 shows the clock generated by the baud rate generator and the clock waveform on the I²C bus.

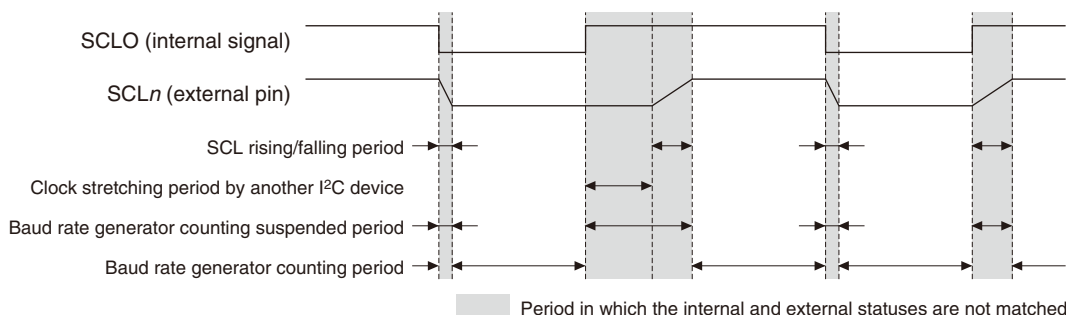


Figure 16.3.3.1 Baud Rate Generator Output Clock and SCL_n Output Waveform

The baud rate generator output clock SCLO is compared with the SCL_n pin status and the results are returned to the baud rate generator. If a mismatch has occurred between SCLO and SCL_n pin levels, the baud rate generator suspends counting. This extends the clock to control data transfer during the SCL signal rising/falling period and clock stretching period in which SCL is fixed at low by a slave device.

16.4 Operations

16.4.1 Initialization

The I2C Ch.*n* should be initialized with the procedure shown below.

When using the I2C in master mode

1. Configure the operating clock and the baud rate generator using the I2C_nCLK and I2C_nBR registers.
2. Assign the I2C Ch.*n* input/output function to the ports. (Refer to the “I/O Ports” chapter.)
3. Set the following bits when using the interrupt:
 - Write 1 to the interrupt flags in the I2C_nINTF register. (Clear interrupt flags)
 - Set the interrupt enable bits in the I2C_nINTE register to 1. (Enable interrupts)
4. Set the following I2C_nCTL register bits:
 - Set the I2C_nCTL.MST bit to 1. (Set master mode)
 - Set the I2C_nCTL.SFTRST bit to 1. (Execute software reset)
 - Set the I2C_nCTL.MODEN bit to 1. (Enable I2C Ch.*n* operations)

When using the I2C in slave mode

1. Set the following I2C_nMOD register bits:
 - I2C_nMOD.OADR10 bit (Set 10/7-bit address mode)
 - I2C_nMOD.GCEN bit (Enable response to general call address)
2. Set its own address to the I2C_nOADR.OADR[9:0] (or OADR[6:0]) bits.
3. Assign the I2C Ch.*n* input/output function to the ports. (Refer to the “I/O Ports” chapter.)
4. Set the following bits when using the interrupt:
 - Write 1 to the interrupt flags in the I2C_nINTF register. (Clear interrupt flags)
 - Set the interrupt enable bits in the I2C_nINTE register to 1. (Enable interrupts)
5. Set the following I2C_nCTL register bits:
 - Set the I2C_nCTL.MST bit to 0. (Set slave mode)
 - Set the I2C_nCTL.SFTRST bit to 1. (Execute software reset)
 - Set the I2C_nCTL.MODEN bit to 1. (Enable I2C Ch.*n* operations)

16.4.2 Data Transmission in Master Mode

A data sending procedure in master mode and the I2C Ch.*n* operations are shown below. Figures 16.4.2.1 and 16.4.2.2 show an operation example and a flowchart, respectively.

Data sending procedure

1. Issue a START condition by setting the I2C_*n*CTL.TXSTART bit to 1.
2. Wait for a transmit buffer empty interrupt (I2C_*n*INTF.TBEIF bit = 1) or a START condition interrupt (I2C_*n*INTF.STARTIF bit = 1).
Clear the I2C_*n*INTF.STARTIF bit by writing 1 after the interrupt has occurred.
3. Write the 7-bit slave address to the I2C_*n*TXD.TXD[7:1] bits and 0 that represents WRITE as the data transfer direction to the I2C_*n*TXD.TXD0 bit.
4. (When DMA is used) Configure the DMA controller and set a DMA transfer request enable bit in the I2C_*n*TBEDMAEN register to 1 (DMA transfer request enabled). (This automates the data sending procedure Steps 5, 6, and 8.)
5. (When DMA is not used) Wait for a transmit buffer empty interrupt (I2C_*n*INTF.TBEIF bit = 1) generated when an ACK is received.
6. (When DMA is not used) Write transmit data to the I2C_*n*TXD register.
7. If a NACK reception interrupt (I2C_*n*INTF.NACKIF bit = 1) has occurred, go to Step 9 or 1 after clearing the I2C_*n*INTF.NACKIF bit.
8. (When DMA is not used) Repeat Steps 5 and 6 until the end of transmit data.
9. Issue a STOP condition by setting the I2C_*n*CTL.TXSTOP bit to 1.
10. Wait for a STOP condition interrupt (I2C_*n*INTF.STOPIF bit = 1).
Clear the I2C_*n*INTF.STOPIF bit by writing 1 after the interrupt has occurred.

Data sending operations

Generating a START condition

The I2C Ch.*n* starts generating a START condition when the I2C_*n*CTL.TXSTART bit is set to 1. When the generating operation has completed, the I2C Ch.*n* clears the I2C_*n*CTL.TXSTART bit to 0 and sets both the I2C_*n*INTF.STARTIF and I2C_*n*INTF.TBEIF bits to 1.

Sending slave address and data

If the I2C_*n*INTF.TBEIF bit = 1, a slave address or data can be written to the I2C_*n*TXD register. The I2C Ch.*n* pulls down SCL to low and enters standby state until data is written to the I2C_*n*TXD register. The writing operation triggers the I2C Ch.*n* to send the data to the shift register automatically and to output eight clock pulses and data bits to the I²C bus.

When the slave device returns an ACK as the response, the I2C_*n*INTF.TBEIF bit is set to 1. After this interrupt occurs, the subsequent data may be sent or a STOP/repeated START condition may be issued to terminate transmission. If the slave device returns NACK, the I2C_*n*INTF.NACKIF bit is set to 1 without setting the I2C_*n*INTF.TBEIF bit.

Generating a STOP/repeated START condition

After the I2C_*n*INTF.TBEIF bit is set to 1 (transmit buffer empty) or the I2C_*n*INTF.NACKIF bit is set to 1 (NACK received), setting the I2C_*n*CTL.TXSTOP bit to 1 generates a STOP condition. When the bus free time (t_{BUF} defined in the I²C Specifications) has elapsed after the STOP condition has been generated, the I2C_*n*CTL.TXSTOP bit is cleared to 0 and the I2C_*n*INTF.STOPIF bit is set to 1.

When setting the I2C_*n*CTL.TXSTART bit to 1 while the I2C_*n*INTF.TBEIF bit = 1 (transmit buffer empty) or the I2C_*n*INTF.NACKIF bit = 1 (NACK received), the I2C Ch.*n* generates a repeated START condition. When the repeated START condition has been generated, the I2C_*n*INTF.STARTIF and I2C_*n*INTF.TBEIF bits are both set to 1 same as when a START condition has been generated.

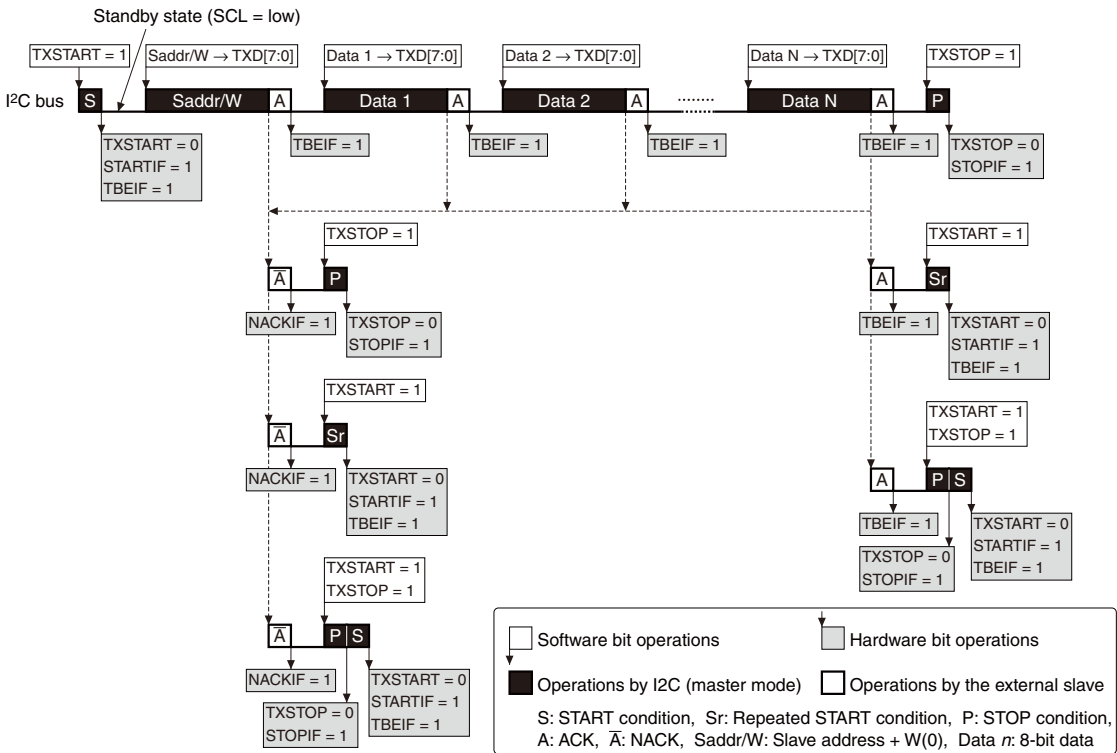


Figure 16.4.2.1 Example of Data Sending Operations in Master Mode

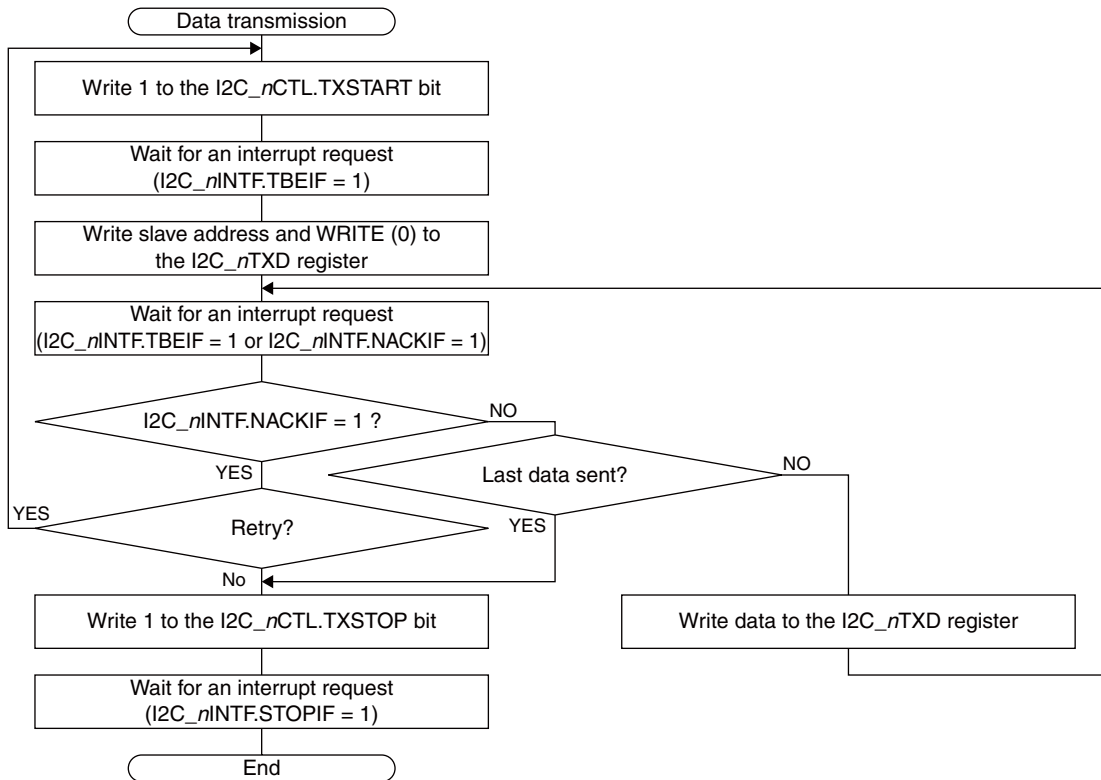


Figure 16.4.2.2 Master Mode Data Transmission Flowchart

Data transmission using DMA

By setting the I2C_nTBEDMAEN.TBEDMAENx bit to 1 (DMA transfer request enabled), a DMA transfer request is sent to the DMA controller and transmit data is transferred from the specified memory to the I2C_nTXD register via DMA Ch.x when the I2C_nINTF.TBEIF bit is set to 1 (transmit buffer empty).

This automates the data sending procedure Steps 5, 6, and 8 described above.

The transfer source/destination and control data must be set for the DMA controller and the relevant DMA channel must be enabled to start a DMA transfer in advance so that transmit data will be transferred to the I2C_nTXD register. For more information on DMA, refer to the “DMA Controller” chapter.

Table 16.4.2.1 DMA Data Structure Configuration Example (for Data Transmission)

	Item	Setting example
End pointer	Transfer source	Memory address in which the last transmit data is stored
	Transfer destination	I2C_nTXD register address
Control data	dst_inc	0x3 (no increment)
	dst_size	0x0 (byte)
	src_inc	0x0 (+1)
	src_size	0x0 (byte)
	R_power	0x0 (arbitrated for every transfer)
	n_minus_1	Number of transfer data
	cycle_ctrl	0x1 (basic transfer)

16.4.3 Data Reception in Master Mode

A data receiving procedure in master mode and the I2C Ch.n operations are shown below. Figures 16.4.3.1 and 16.4.3.2 show an operation example and a flowchart, respectively.

Data receiving procedure

- Issue a START condition by setting the I2C_nCTL.TXSTART bit to 1.
- Wait for a transmit buffer empty interrupt (I2C_nINTF.TBEIF bit = 1) or a START condition interrupt (I2C_nINTF.STARTIF bit = 1).
Clear the I2C_nINTF.STARTIF bit by writing 1 after the interrupt has occurred.
- Write the 7-bit slave address to the I2C_nTXD.TXD[7:1] bits and 1 that represents READ as the data transfer direction to the I2C_nTXD.TXD0 bit.
- (When DMA is used) Configure the DMA controller and set a DMA transfer request enable bit in the I2C_nRBFDMAEN register to 1 (DMA transfer request enabled). (This automates the data receiving procedure Steps 5, 7, and 9.)
- (When DMA is not used) Wait for a receive buffer full interrupt (I2C_nINTF.RBFIF bit = 1) generated when a one-byte reception has completed.
- Perform one of the operations below when the last or next-to-last data is received.
 - When the next-to-last data is received, write 1 to the I2C_nCTL.TXNACK bit to send a NACK after the last data is received, and then go to Step 7.
 - When the last data is received, read the received data from the I2C_nRXD register and set the I2C_nCTL.TXSTOP to 1 to generate a STOP condition. Then go to Step 10.
- (When DMA is not used) Read the received data from the I2C_nRXD register.
- If a NACK reception interrupt (I2C_nINTF.NACKIF bit = 1) has occurred, clear the I2C_nINTF.NACKIF bit and issue a STOP condition by setting the I2C_nCTL.TXSTOP bit to 1. Then go to Step 10 or Step 1 if making a retry.
- (When DMA is not used) Repeat Steps 5 to 7 until the end of data reception.
- Wait for a STOP condition interrupt (I2C_nINTF.STOPIF bit = 1).
Clear the I2C_nINTF.STOPIF bit by writing 1 after the interrupt has occurred.

Data receiving operations

Generating a START condition

It is the same as the data transmission in master mode.

Sending slave address

It is the same as the data transmission in master mode. Note, however, that the I2C_nTXD.TXD0 bit must be set to 1 that represents READ as the data transfer direction to issue a request to the slave to send data.

Receiving data

After the slave address has been sent, the slave device sends an ACK and the first data. The I2C Ch.n sets the I2C_nINTF.RBFIF bit to 1 after the data reception has completed. Furthermore, the I2C Ch.n returns an ACK. To return a NACK, such as for a response after the last data has been received, write 1 to the I2C_nCTL.TXNACK bit before the I2C_nINTF.RBFIF bit is set to 1.

The received data can be read out from the I2C_nRXD register after a receive buffer full interrupt has occurred. The I2C Ch.n pulls down SCL to low and enters standby state until data is read out from the I2C_nRXD register.

This reading triggers the I2C Ch.n to start subsequent data reception.

Generating a STOP or repeated START condition

It is the same as the data transmission in master mode.

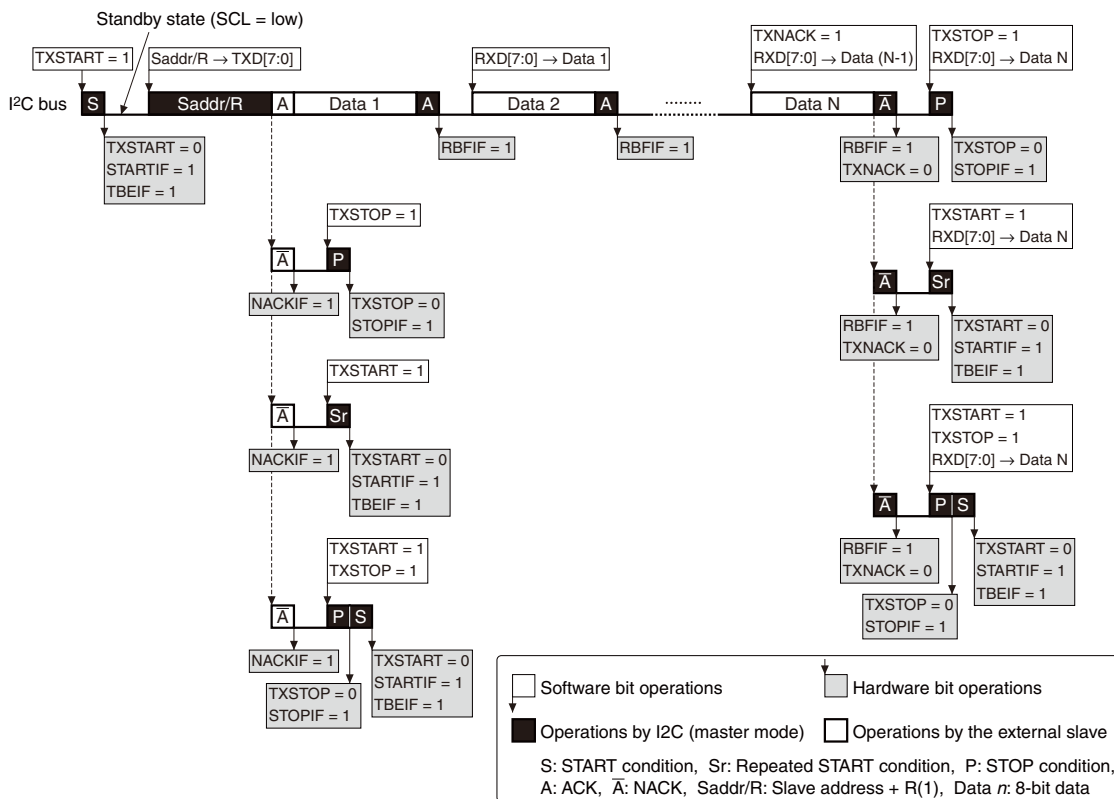


Figure 16.4.3.1 Example of Data Receiving Operations in Master Mode

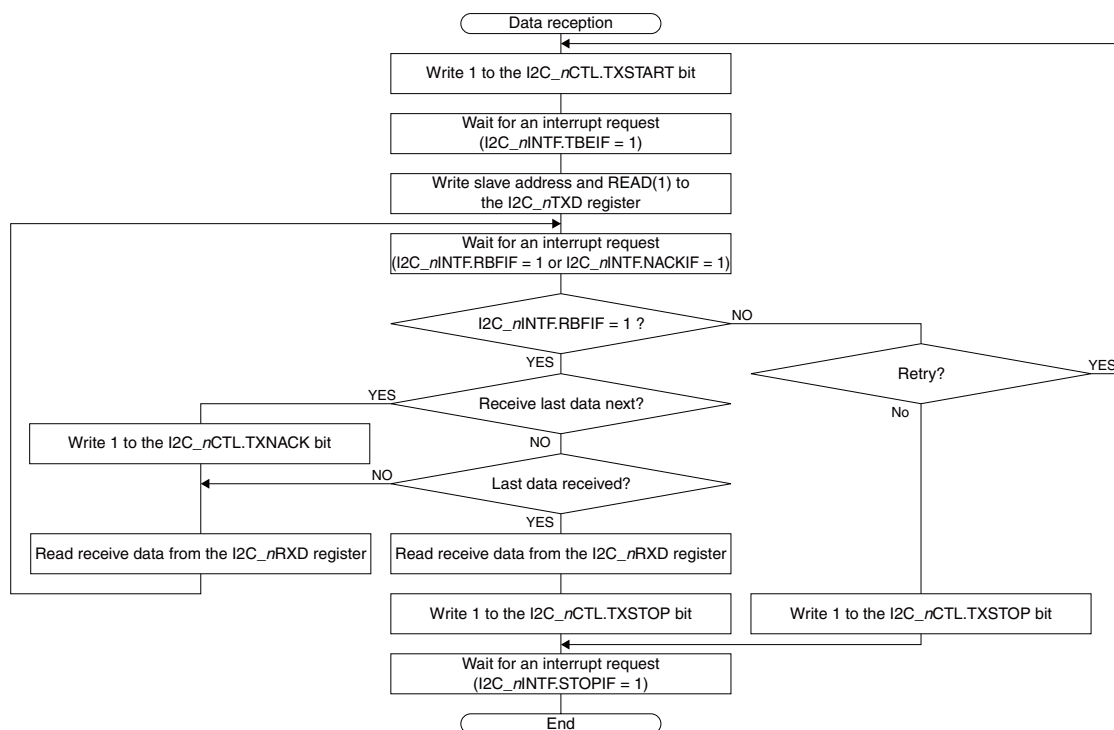


Figure 16.4.3.2 Master Mode Data Reception Flowchart

Data reception using DMA

By setting the I2C_nRBFDMAEN.RBFDMAEN x bit to 1 (DMA transfer request enabled), a DMA transfer request is sent to the DMA controller and the received data is transferred from the I2C_nRXD register to the specified memory via DMA Ch. x when the I2C_nINTF.RBFIF bit is set to 1 (receive buffer full).

This automates the data receiving procedure Steps 5, 7, and 9 described above.

The transfer source/destination and control data must be set for the DMA controller and the relevant DMA channel must be enabled to start a DMA transfer in advance. For more information on DMA, refer to the “DMA Controller” chapter.

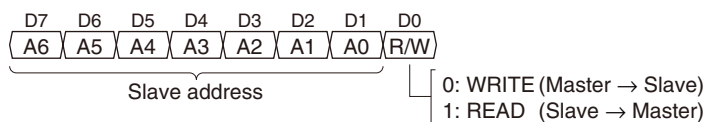
Table 16.4.3.1 DMA Data Structure Configuration Example (for Data Reception)

	Item	Setting example
End pointer	Transfer source	I2C_nRXD register address
	Transfer destination	Memory address to which the last received data is stored
Control data	dst_inc	0x0 (+1)
	dst_size	0x0 (byte)
	src_inc	0x3 (no increment)
	src_size	0x0 (byte)
	R_power	0x0 (arbitrated for every transfer)
	n_minus_1	Number of receive data
	cycle_ctrl	0x1 (basic transfer)

16.4.4 10-bit Addressing in Master Mode

A 10-bit address consists of the first address that contains two high-order bits and the second address that contains eight low-order bits.

7-bit address



10-bit address

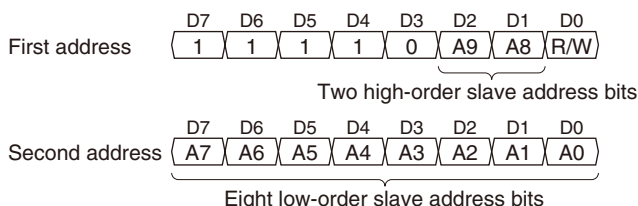


Figure 16.4.4.1 10-bit Address Configuration

The following shows a procedure to start data transfer in 10-bit address mode when the I2C Ch.*n* is placed into master mode (see the 7-bit mode descriptions above for control procedures when a NACK is received or sending/receiving data). Figure 16.4.4.2 shows an operation example.

Starting data transmission in 10-bit address mode

1. Issue a START condition by setting the I2C_*n*CTL.TXSTART bit to 1.
2. Wait for a transmit buffer empty interrupt (I2C_*n*INTF.TBEIF bit = 1) or a START condition interrupt (I2C_*n*INTF.STARTIF bit = 1).
Clear the I2C_*n*INTF.STARTIF bit by writing 1 after the interrupt has occurred.
3. Write the first address to the I2C_*n*TXD.TXD[7:1] bits and 0 that represents WRITE as the data transfer direction to the I2C_*n*TXD.TXD0 bit.
4. Wait for a transmit buffer empty interrupt (I2C_*n*INTF.TBEIF bit = 1).
5. Write the second address to the I2C_*n*TXD.TXD[7:0] bits.
6. Wait for a transmit buffer empty interrupt (I2C_*n*INTF.TBEIF bit = 1).
7. Perform data transmission.

Starting data reception in 10-bit address mode

- 1 to 6. These steps are the same as the data transmission starting procedure described above.
7. Issue a repeated START condition by setting the I2C_*n*CTL.TXSTART bit to 1.
8. Wait for a transmit buffer empty interrupt (I2C_*n*INTF.TBEIF bit = 1) or a START condition interrupt (I2C_*n*INTF.STARTIF bit = 1).
Clear the I2C_*n*INTF.STARTIF bit by writing 1 after the interrupt has occurred.
9. Write the first address to the I2C_*n*TXD.TXD[7:1] bits and 1 that represents READ as the data transfer direction to the I2C_*n*TXD.TXD0 bit.
10. Perform data reception.

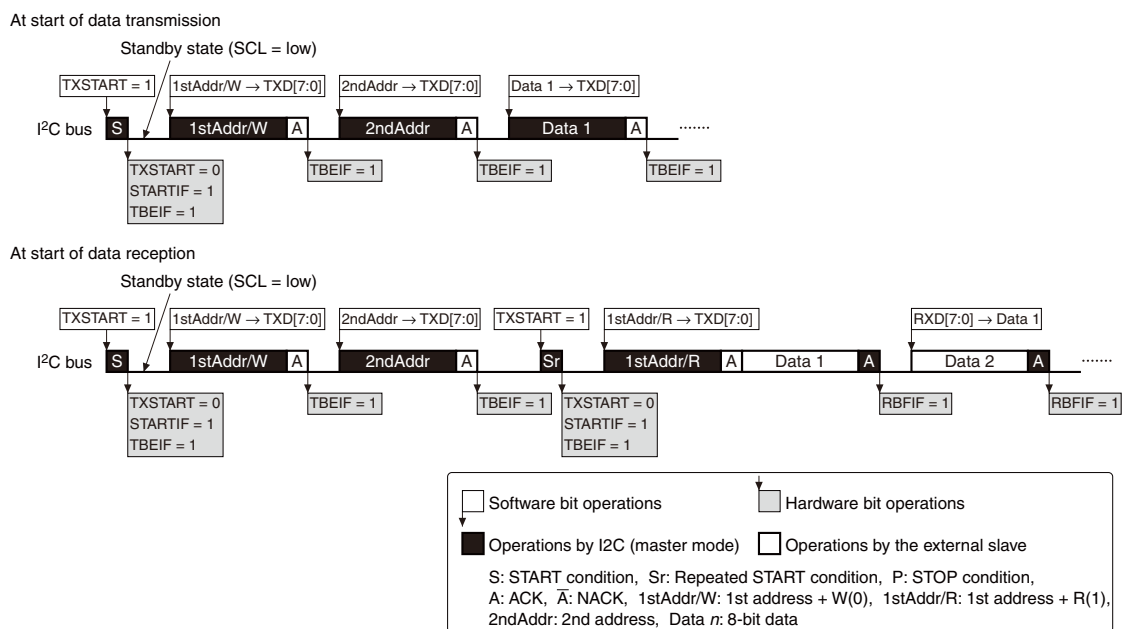


Figure 16.4.4.2 Example of Data Transfer Starting Operations in 10-bit Address Mode (Master Mode)

16.4.5 Data Transmission in Slave Mode

A data sending procedure in slave mode and the I2C Ch.*n* operations are shown below. Figures 16.4.5.1 and 16.4.5.2 show an operation example and a flowchart, respectively.

Data sending procedure

1. Wait for a START condition interrupt (I2C_*n*INTF.STARTIF bit = 1).
Clear the I2C_*n*INTF.STARTIF bit by writing 1 after the interrupt has occurred.
2. Check to see if the I2C_*n*INTF.TR bit = 1 (transmission mode).
(Start a data receiving procedure if the I2C_*n*INTF.TR bit = 0.)
3. Write transmit data to the I2C_*n*TXD register.
4. Wait for a transmit buffer empty interrupt (I2C_*n*INTF.TBEIF bit = 1), a NACK reception interrupt (I2C_*n*INTF.NACKIF bit = 1), or a STOP condition interrupt (I2C_*n*INTF.STOPIF bit = 1).
 - i. Go to Step 3 when a transmit buffer empty interrupt has occurred.
 - ii. Go to Step 5 after clearing the I2C_*n*INTF.NACKIF bit when a NACK reception interrupt has occurred.
 - iii. Go to Step 6 when a STOP condition interrupt has occurred.
5. Wait for a STOP condition interrupt (I2C_*n*INTF.STOPIF bit = 1) or a START condition interrupt (I2C_*n*INTF.STARTIF bit = 1).
 - i. Go to Step 6 when a STOP condition interrupt has occurred.
 - ii. Go to Step 2 when a START condition interrupt has occurred.
6. Clear the I2C_*n*INTF.STOPIF bit and then terminate data sending operations.

Data sending operations

START condition detection and slave address check

While the I2C_nCTL.MODEN bit = 1 and the I2C_nCTL.MST bit = 0 (slave mode), the I2C Ch.n monitors the I²C bus. When the I2C Ch.n detects a START condition, it starts receiving of the slave address sent from the master. If the received address is matched with the own address set to the I2C_nOADR.OADR[6:0] bits (when the I2C_nMOD.OADR10 bit = 0 (7-bit address mode)) or the I2C_nOADR.OADR[9:0] bits (when the I2C_nMOD.OADR10 bit = 1 (10-bit address mode)), the I2C_nINTF.STARTIF bit and the I2C_nINTF.BSY bit are both set to 1. The I2C Ch.n sets the I2C_nINTF.TR bit to the R/W bit value in the received address. If this value is 1, the I2C Ch.n sets the I2C_nINTF.TBEIF bit to 1 and starts data sending operations.

Sending the first data byte

After the valid slave address has been received, the I2C Ch.n pulls down SCL to low and enters standby state until data is written to the I2C_nTXD register. This puts the I²C bus into clock stretching state and the external master into standby state. When transmit data is written to the I2C_nTXD register, the I2C Ch.n clears the I2C_nINTF.TBEIF bit and sends an ACK to the master. The transmit data written in the I2C_nTXD register is automatically transferred to the shift register and the I2C_nINTF.TBEIF bit is set to 1. The data bits in the shift register are output in sequence to the I²C bus.

Sending subsequent data

If the I2C_nINTF.TBEIF bit = 1, subsequent transmit data can be written during data transmission. If the I2C_nINTF.TBEIF bit is still set to 1 when the data transmission from the shift register has completed, the I2C Ch.n pulls down SCL to low (sets the I²C bus into clock stretching state) until transmit data is written to the I2C_nTXD register.

If the next transmit data already exists in the I2C_nTXD register or data has been written after the above, the I2C Ch.n sends the subsequent eight-bit data when an ACK from the external master is received. At the same time, the I2C_nINTF.BYTEENDIF bit is set to 1. If a NACK is received, the I2C_nINTF.NACKIF bit is set to 1 without sending data.

STOP/repeated START condition detection

While the I2C_nCTL.MST bit = 0 (slave mode) and the I2C_nINTF.BSY = 1, the I2C Ch.n monitors the I²C bus. When the I2C Ch.n detects a STOP condition, it terminates data sending operations. At this time, the I2C_nINTF.BSY bit is cleared to 0 and the I2C_nINTF.STOPIF bit is set to 1. Also when the I2C Ch.n detects a repeated START condition, it terminates data sending operations. In this case, the I2C_nINTF.STARTIF bit is set to 1.

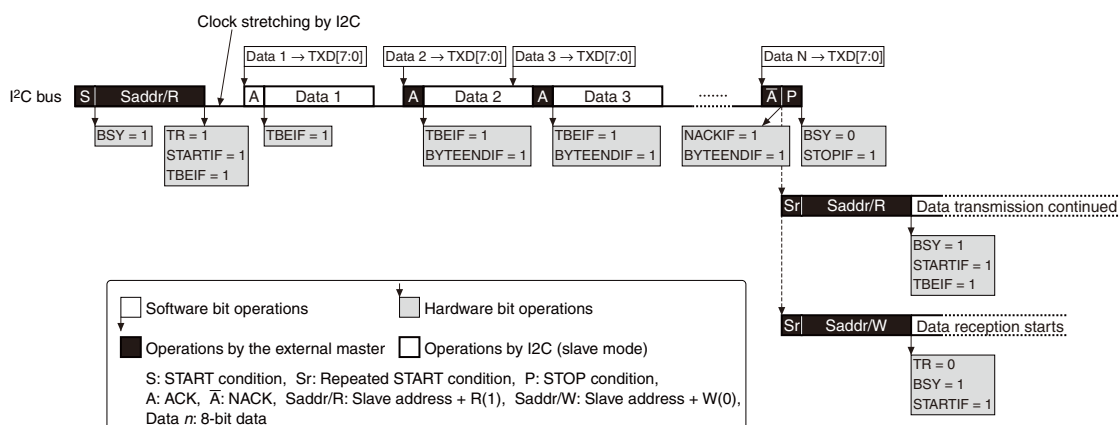


Figure 16.4.5.1 Example of Data Sending Operations in Slave Mode

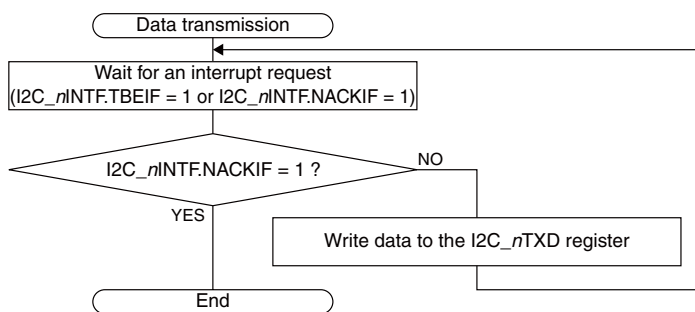


Figure 16.4.5.2 Slave Mode Data Transmission Flowchart

16.4.6 Data Reception in Slave Mode

A data receiving procedure in slave mode and the I²C Ch.*n* operations are shown below. Figures 16.4.6.1 and 16.4.6.2 show an operation example and a flowchart, respectively.

Data receiving procedure

1. Wait for a START condition interrupt (I2C_nINTF.STARTIF bit = 1).
2. Check to see if the I2C_nINTF.TR bit = 0 (reception mode).
(Start a data sending procedure if I2C_nINTF.TR bit = 1.)
3. Clear the I2C_nINTF.STARTIF bit by writing 1.
4. Wait for a receive buffer full interrupt (I2C_nINTF.RBFIF bit = 1) generated when a one-byte reception has completed or an end of transfer interrupt (I2C_nINTF.BYTEENDIF bit = 1).
Clear the I2C_nINTF.BYTEENDIF bit by writing 1 after the interrupt has occurred.
5. If the next receive data is the last one, write 1 to the I2C_nCTL.TXNACK bit to send a NACK after it is received.
6. Read the received data from the I2C_nRXD register.
7. Repeat Steps 4 to 6 until the end of data reception.
8. Wait for a STOP condition interrupt (I2C_nINTF.STOPIF bit = 1) or a START condition interrupt (I2C_nINTF.STARTIF bit = 1).
 - i. Go to Step 9 when a STOP condition interrupt has occurred.
 - ii. Go to Step 2 when a START condition interrupt has occurred.
9. Clear the I2C_nINTF.STOPIF bit and then terminate data receiving operations.

Data receiving operations

START condition detection and slave address check

It is the same as the data transmission in slave mode.

However, the I2C_nINTF.TR bit is cleared to 0 and the I2C_nINTF.TBEIF bit is not set.

If the I2C_nMOD.GCEN bit is set to 1 (general call address response enabled), the I2C Ch.*n* starts data receiving operations when the general call address is received.

Slave mode can be operated even in SLEEP mode, it makes it possible to wake the CPU up using an interrupt when an address match is detected.

Receiving the first data byte

After the valid slave address has been received, the I2C Ch.*n* sends an ACK and pulls down SCL to low until 1 is written to the I2C_nINTF.STARTIF bit. This puts the I²C bus into clock stretching state and the external master into standby state. When 1 is written to the I2C_nINTF.STARTIF bit, the I2C Ch.*n* releases SCL and receives data sent from the external master into the shift register. After eight-bit data has been received, the I2C Ch.*n* sends an ACK and pulls down SCL to low. The received data in the shift register is transferred to the receive data buffer and the I2C_nINTF.RBFIF and I2C_nINTF.BYTEENDIF bits are both set to 1. After that, the received data can be read out from the I2C_nRXD register.

Receiving subsequent data

When the received data is read out from the I2C_nRXD register after the I2C_nINTF.RBFIF bit has been set to 1, the I2C Ch.n clears the I2C_nINTF.RBFIF bit to 0, releases SCL, and receives subsequent data sent from the external master. After eight-bit data has been received, the I2C Ch.n sends an ACK and pulls down SCL to low. The received data in the shift register is transferred to the receive data buffer and the I2C_nINTF.RBFIF and I2C_nINTF.BYTEENDIF bits are both set to 1.

To return a NACK after eight-bit data is received, such as when terminating data reception, write 1 to the I2C_nCTL.TXNACK bit before the data reception is completed. The I2C_nCTL.TXNACK bit is automatically cleared to 0 after a NACK has been sent.

STOP/repeated START condition detection

It is the same as the data transmission in slave mode.

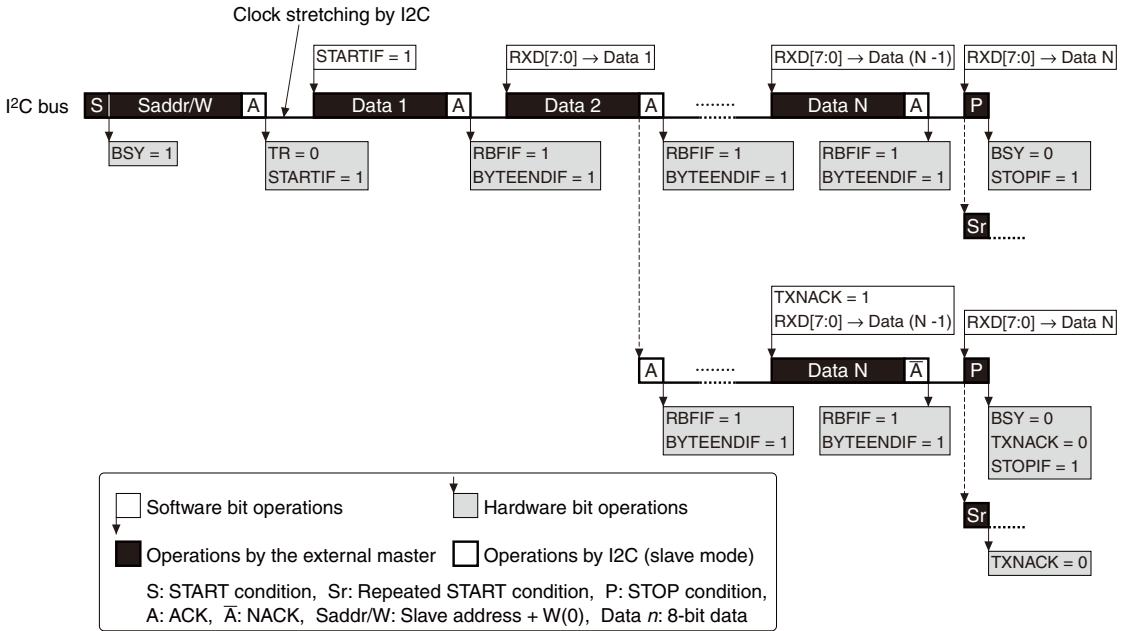


Figure 16.4.6.1 Example of Data Receiving Operations in Slave Mode

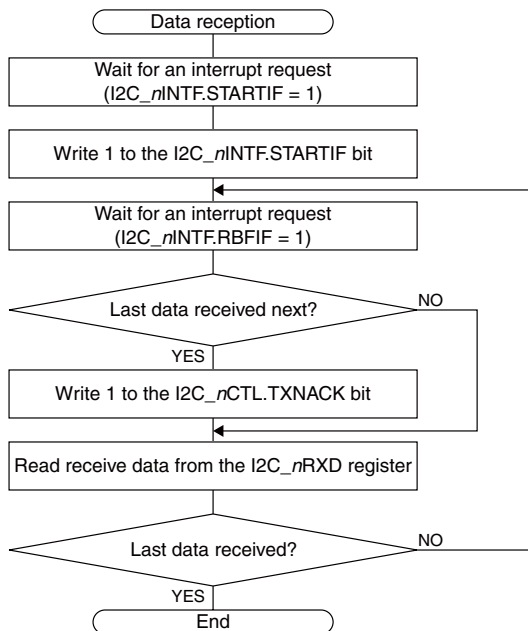


Figure 16.4.6.2 Slave Mode Data Reception Flowchart

16.4.7 Slave Operations in 10-bit Address Mode

The I2C Ch.*n* functions as a slave device in 10-bit address mode when the I2C_nCTL.MST bit = 0 and the I2C_nMOD.OADR10 bit = 1.

The following shows the address receiving operations in 10-bit address mode. Figure 16.4.7.1 shows an operation example. See Figure 16.4.4.1 for the 10-bit address configuration.

10-bit address receiving operations

After a START condition is issued, the master sends the first address that includes the two high-order slave address bits and the R/W bit (= 0). If the received two high-order slave address bits are matched with the I2C_nOADR.OADR[9:8] bits, the I2C Ch.*n* returns an ACK. At this time, other slaves may return an ACK as the two high-order bits may be matched.

Then the master sends the eight low-order slave address bits as the second address. If this address is matched with the I2C_nOADR.OADR[7:0] bits, the I2C Ch.*n* returns an ACK and starts data receiving operations.

If the master issues a request to the slave to send data (data reception in the master), the master generates a repeated START condition and sends the first address with the R/W bit set to 1. This reception switches the I2C Ch.*n* to data sending mode.

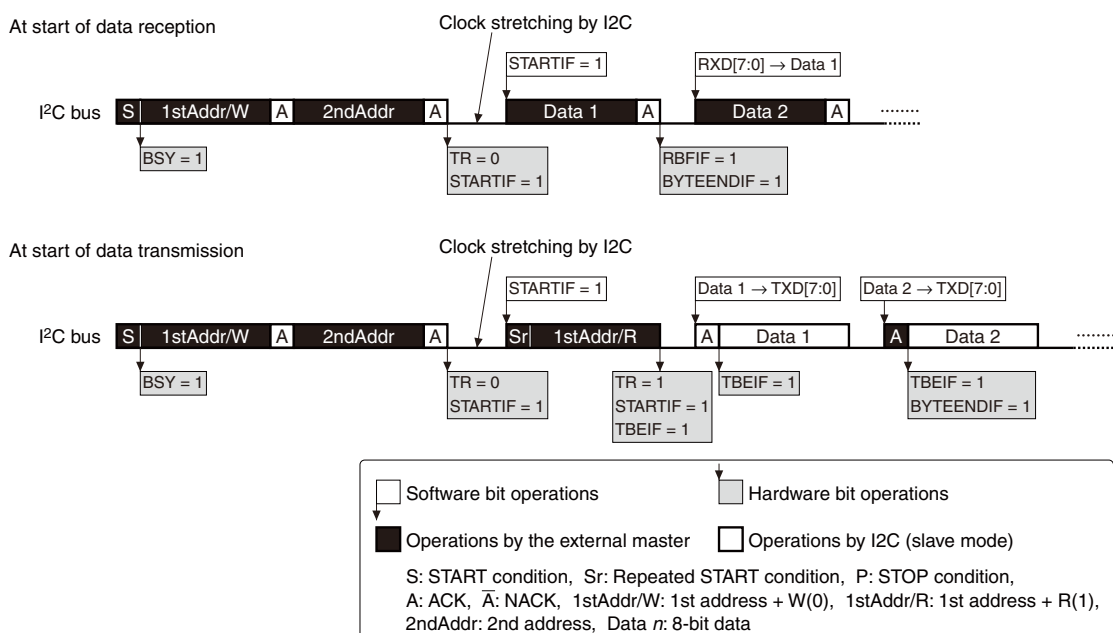


Figure 16.4.7.1 Example of Data Transfer Starting Operations in 10-bit Address Mode (Slave Mode)

16.4.8 Automatic Bus Clearing Operation

The I2C Ch.*n* set into master mode checks the SDA state immediately before generating a START condition. If SDA is set to a low level at this time, the I2C Ch.*n* automatically executes bus clearing operations that output up to ten clocks from the SCL_{*n*} pin with SDA left free state.

When SDA goes high from low within nine clocks, the I2C Ch.*n* issues a START condition and starts normal operations. If SDA does not change from low when the I2C Ch.*n* outputs the ninth clock, it is regarded as an automatic bus clearing failure. In this case, the I2C Ch.*n* clears the I2C_nCTL.TXSTART bit to 0 and sets both the I2C_nINTF.ERRIF and I2C_nINTF.STARTIF bits to 1.

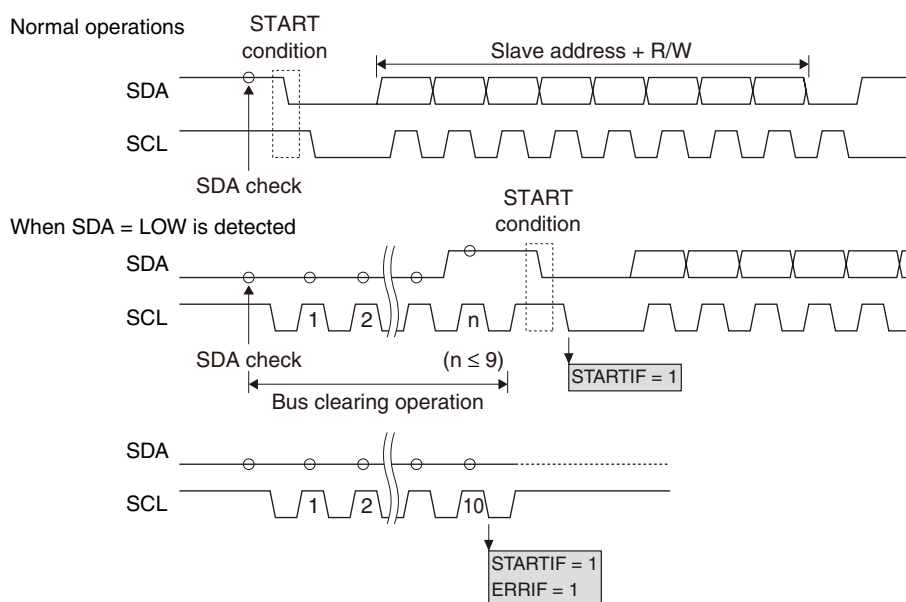


Figure 16.4.8.1 Automatic Bus Clearing Operation

16.4.9 Error Detection

The I2C includes a hardware error detection function.

Furthermore, the I2C_nINTF.SDALOW and I2C_nINTF.SCLLOW bits are provided to allow software to check whether the SDA and SCL lines are fixed at low. If unintended low level is detected on SDA or SCL, a software recovery processing, such as I2C Ch.n software reset, can be performed.

The table below lists the hardware error detection conditions and the notification method.

Table 16.4.9.1 Hardware Error Detection Function

No.	Error detecting period/timing	I ² C bus line monitored and error condition	Notification method
1	While the I2C Ch.n controls SDA to high for sending address, data, or a NACK	SDA = low	I2C_nINTF.ERRIF = 1
2	<Master mode only> When 1 is written to the I2C_nCTL.TX-START bit while the I2C_nINTF.BSY bit = 0	SCL = low	I2C_nINTF.ERRIF = 1 I2C_nCTL.TXSTART = 0 I2C_nINTF.STARTIF = 1
3	<Master mode only> When 1 is written to the I2C_nCTL.TX-STOP bit while the I2C_nINTF.BSY bit = 0	SCL = low	I2C_nINTF.ERRIF = 1 I2C_nCTL.TXSTOP = 0 I2C_nINTF.STOPIF = 1
4	<Master mode only> When 1 is written to the I2C_nCTL.TXSTART bit while the I2C_nINTF.BSY bit = 0 (Refer to “Automatic Bus Clearing Operation.”)	SDA Automatic bus clearing failure	I2C_nINTF.ERRIF = 1 I2C_nCTL.TXSTART = 0 I2C_nINTF.STARTIF = 1

16.5 Interrupts

The I2C has a function to generate the interrupts shown in Table 16.5.1.

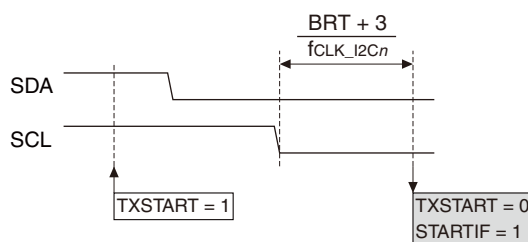
Table 16.5.1 I2C Interrupt Function

Interrupt	Interrupt flag	Set condition	Clear condition
End of data transfer	I2C_nINTF.BYTEENDIF	When eight-bit data transfer and the following ACK/NACK transfer are completed	Writing 1, software reset
General call address reception	I2C_nINTF.GCIF	Slave mode only: When the general call address is received	Writing 1, software reset
NACK reception	I2C_nINTF.NACKIF	When a NACK is received	Writing 1, software reset
STOP condition	I2C_nINTF.STOPIF	Master mode: When a STOP condition is generated and the bus free time (t_{BUF}) between STOP and START conditions has elapsed Slave mode: When a STOP condition is detected while the I2C Ch.n is selected as the slave currently accessed	Writing 1, software reset
START condition	I2C_nINTF.STARTIF	Master mode: When a START condition is issued Slave mode: When an address match is detected (including general call)	Writing 1, software reset
Error detection	I2C_nINTF.ERRIF	Refer to “Error Detection.”	Writing 1, software reset
Receive buffer full	I2C_nINTF.RBFIF	When received data is loaded to the receive data buffer	Reading received data (to empty the receive data buffer), software reset
Transmit buffer empty	I2C_nINTF.TBEIF	Master mode: When a START condition is issued or when an ACK is received from the slave Slave mode: When transmit data written to the transmit data buffer is transferred to the shift register or when an address match is detected with R/W bit set to 1	Writing transmit data

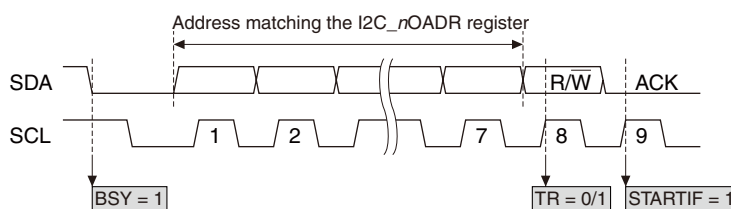
The I2C provides interrupt enable bits corresponding to each interrupt flag. An interrupt request is sent to the CPU core only when the interrupt flag, of which interrupt has been enabled by the interrupt enable bit, is set. For more information on interrupt control, refer to the “Interrupt” chapter.

(1) START condition interrupt

Master mode

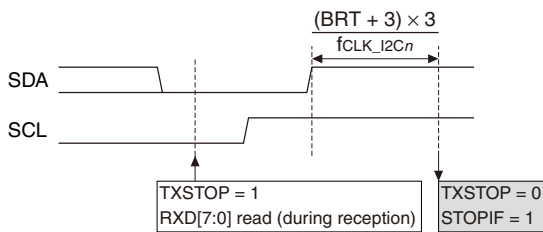


Slave mode

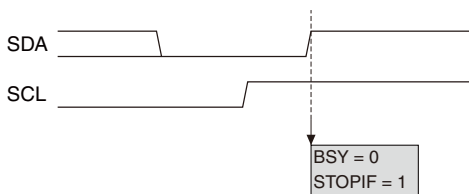


(2) STOP condition interrupt

Master mode



Slave mode



(f_{CLK_I2Cn}: I2C operating clock frequency [Hz], BRT: I2C_nBR.BRT[6:0] bits setting value (1 to 127))

Figure 16.5.1 START/STOP Condition Interrupt Timings

16.6 DMA Transfer Requests

The I2C has a function to generate DMA transfer requests from the causes shown in Table 16.6.1.

Table 16.6.1 DMA Transfer Request Causes of I2C

Cause to request DMA transfer	DMA transfer request flag	Set condition	Clear condition
Receive buffer full	Receive buffer full flag (I2C_nINTF.RBFIF)	When received data is loaded to the receive data buffer	Reading received data (to empty the receive data buffer), software reset
Transmit buffer empty	Transmit buffer empty flag (I2C_nINTF.TBEIF)	Master mode: When a START condition is issued or when an ACK is received from the slave Slave mode: When transmit data written to the transmit data buffer is transferred to the shift register or when an address match is detected with R/W bit set to 1	Writing transmit data

The I2C provides DMA transfer request enable bits corresponding to each DMA transfer request flag shown above for the number of DMA channels. A DMA transfer request is sent to the pertinent channel of the DMA controller only when the DMA transfer request flag, of which DMA transfer has been enabled by the DMA transfer request enable bit, is set. The DMA transfer request flag also serves as an interrupt flag, therefore, both the DMA transfer request and the interrupt cannot be enabled at the same time. After a DMA transfer has completed, disable the DMA transfer to prevent unintended DMA transfer requests from being issued. For more information on the DMA control, refer to the “DMA Controller” chapter.

16.7 Control Registers

I2C Ch.n Clock Control Register

Register name	Bit	Bit name	Initial	Reset	R/W	Remarks
I2C_nCLK	15-9	-	0x00	-	R	-
	8	DBRUN	0	H0	R/W	
	7-6	-	0x0	-	R	
	5-4	CLKDIV[1:0]	0x0	H0	R/W	
	3-2	-	0	-	R	
	1-0	CLKSRC[1:0]	0x0	H0	R/W	

Bits 15–9 Reserved

Bit 8 DBRUN

This bit sets whether the I2C operating clock is supplied during debugging or not.

1 (R/W): Clock supplied during debugging

0 (R/W): No clock supplied during debugging

Bits 7–6 Reserved

Bits 5–4 CLKDIV[1:0]

These bits select the division ratio of the I2C operating clock.

Bits 3–2 Reserved

Bits 1–0 CLKSRC[1:0]

These bits select the clock source of the I2C.

Table 16.7.1 Clock Source and Division Ratio Settings

I2C_nCLK. CLKDIV[1:0] bits	I2C_nCLK.CLKSRC[1:0] bits			
	0x0	0x1	0x2	0x3
	IOSC	OSC1	OSC3	EXOSC
0x3	1/8	1/1	1/8	1/1
0x2	1/4		1/4	
0x1	1/2		1/2	
0x0	1/1		1/1	

(Note) The oscillation circuits/external input that are not supported in this IC cannot be selected as the clock source.

Note: The I2C_nCLK register settings can be altered only when the I2C_nCTL.MODEN bit = 0.

I2C Ch.n Mode Register

Register name	Bit	Bit name	Initial	Reset	R/W	Remarks
I2C_nMOD	15–8	–	0x00	–	R	–
	7–3	–	0x00	–	R	
	2	OADR10	0	H0	R/W	
	1	GCEN	0	H0	R/W	
	0	–	0	–	R	

Bits 15–3 Reserved

Bit 2 OADR10

This bit sets the number of own address bits for slave mode.

1 (R/W): 10-bit address

0 (R/W): 7-bit address

Bit 1 GCEN

This bit sets whether to respond to master general calls in slave mode or not.

1 (R/W): Respond to general calls.

0 (R/W): Do not respond to general calls.

Bit 0 Reserved

Note: The I2C_nMOD register settings can be altered only when the I2C_nCTL.MODEN bit = 0.

I2C Ch.n Baud-Rate Register

Register name	Bit	Bit name	Initial	Reset	R/W	Remarks
I2C_nBR	15–8	–	0x00	–	R	–
	7	–	0	–	R	
	6–0	BRT[6:0]	0x7f	H0	R/W	

Bits 15–7 Reserved

Bits 6–0 BRT[6:0]

These bits set the I2C Ch.*n* transfer rate for master mode. For more information, refer to “Baud Rate Generator.”

- Notes:**
- The I2C_nBR register settings can be altered only when the I2C_nCTL.MODEN bit = 0.
 - Be sure to avoid setting the I2C_nBR register to 0.

I2C Ch.*n* Own Address Register

Register name	Bit	Bit name	Initial	Reset	R/W	Remarks
I2C_nOADR	15–10	–	0x00	–	R	–
	9–0	OADR[9:0]	0x000	H0	R/W	

Bits 15–10 Reserved**Bits 9–0 OADR[9:0]**

These bits set the own address for slave mode.

The I2C_nOADR.OADR[9:0] bits are effective in 10-bit address mode (I2C_nMOD.OADR10 bit = 1), or the I2C_nOADR.OADR[6:0] bits are effective in 7-bit address mode (I2C_nMOD.OADR10 bit = 0).

Note: The I2C_nOADR register settings can be altered only when the I2C_nCTL.MODEN bit = 0.

I2C Ch.*n* Control Register

Register name	Bit	Bit name	Initial	Reset	R/W	Remarks
I2C_nCTL	15–8	–	0x00	–	R	–
	7–6	–	0x0	–	R	
	5	MST	0	H0	R/W	
	4	TXNACK	0	H0/S0	R/W	
	3	TXSTOP	0	H0/S0	R/W	
	2	TXSTART	0	H0/S0	R/W	
	1	SFTRST	0	H0	R/W	
	0	MODEN	0	H0	R/W	

Bits 15–6 Reserved**Bit 5 MST**

This bit selects the I2C Ch.*n* operating mode.

1 (R/W): Master mode

0 (R/W): Slave mode

Bit 4 TXNACK

This bit issues a request for sending a NACK at the next responding.

1 (W): Issue a NACK.

0 (W): Ineffective

1 (R): On standby or during sending a NACK

0 (R): NACK has been sent.

This bit is automatically cleared after a NACK has been sent.

Bit 3 TXSTOP

This bit issues a STOP condition in master mode. This bit is ineffective in slave mode.

1 (W): Issue a STOP condition.

0 (W): Ineffective

1 (R): On standby or during generating a STOP condition

0 (R): STOP condition has been generated.

This bit is automatically cleared when the bus free time (t_{BUF} defined in the I²C Specifications) has elapsed after the STOP condition has been generated.

Bit 2 TXSTART

This bit issues a START condition in master mode. This bit is ineffective in slave mode.

1 (W): Issue a START condition.

0 (W): Ineffective

1 (R): On standby or during generating a START condition

0 (R): START condition has been generated.

This bit is automatically cleared when a START condition has been generated.

Bit 1 SFTRST

This bit issues software reset to the I2C.

1 (W): Issue software reset

0 (W): Ineffective

1 (R): Software reset is executing.

0 (R): Software reset has finished. (During normal operation)

Setting this bit resets the I2C transmit/receive control circuit and interrupt flags. This bit is automatically cleared after the reset processing has finished.

Bit 0 MODEN

This bit enables the I2C operations.

1 (R/W): Enable I2C operations (The operating clock is supplied.)

0 (R/W): Disable I2C operations (The operating clock is stopped.)

Note: If the I2C_nCTL.MODEN bit is altered from 1 to 0 while sending/receiving data, the data being sent/received cannot be guaranteed. When setting the I2C_nCTL.MODEN bit to 1 again after that, be sure to write 1 to the I2C_nCTL.SFTRST bit as well.

I2C Ch.n Transmit Data Register

Register name	Bit	Bit name	Initial	Reset	R/W	Remarks
I2C_nTXD	15–8	–	0x00	–	R	–
	7–0	TXD[7:0]	0x00	H0	R/W	

Bits 15–8 Reserved**Bits 7–0 TXD[7:0]**

Data can be written to the transmit data buffer through these bits. Make sure the I2C_nINTF.TBEIF bit is set to 1 before writing data.

Note: Be sure to avoid writing to the I2C_nTXD register when the I2C_nINTF.TBEIF bit = 0, otherwise transmit data cannot be guaranteed.

I2C Ch.n Receive Data Register

Register name	Bit	Bit name	Initial	Reset	R/W	Remarks
I2C_nRXD	15–8	–	0x00	–	R	–
	7–0	RXD[7:0]	0x00	H0	R	

Bits 15–8 Reserved**Bits 7–0 RXD[7:0]**

The receive data buffer can be read through these bits.

I2C Ch.n Status and Interrupt Flag Register

Register name	Bit	Bit name	Initial	Reset	R/W	Remarks
I2C_nINTF	15–13	–	0x0	–	R	–
	12	SDALOW	0	H0	R	
	11	SCLLOW	0	H0	R	
	10	BSY	0	H0/S0	R	
	9	TR	0	H0	R	
	8	–	0	–	R	
	7	BYTEENDIF	0	H0/S0	R/W	
	6	GCIF	0	H0/S0	R/W	
	5	NACKIF	0	H0/S0	R/W	
	4	STOPIF	0	H0/S0	R/W	
	3	STARTIF	0	H0/S0	R/W	
	2	ERRIF	0	H0/S0	R/W	Cleared by reading the I2C_nRXD register.
	1	RBFIF	0	H0/S0	R	
0	TBEIF	0	H0/S0	R	Cleared by writing to the I2C_nTXD register.	

Bits 15–13 Reserved

Bit 12 SDALOW

This bit indicates that SDA is set to low level.

1 (R): SDA = Low level

0 (R): SDA = High level

Bit 11 SCLLOW

This bit indicates that SCL is set to low level.

1 (R): SCL = Low level

0 (R): SCL = High level

Bit 10 BSY

This bit indicates that the I²C bus is placed into busy status.

1 (R): I²C bus busy

0 (R): I²C bus free

Bit 9 TR

This bit indicates whether the I2C is set in transmission mode or not.

1 (R): Transmission mode

0 (R): Reception mode

Bit 8 Reserved

Bit 7 BYTEENDIF

Bit 6 GCIF

Bit 5 NACKIF

Bit 4 STOPIF

Bit 3 STARTIF

Bit 2 ERRIF

Bit 1 RBFIF

Bit 0 TBEIF

These bits indicate the I2C interrupt cause occurrence status.

1 (R): Cause of interrupt occurred

0 (R): No cause of interrupt occurred

1 (W): Clear flag

0 (W): Ineffective

The following shows the correspondence between the bit and interrupt:

I2C _n INTF.BYTEENDIF bit:	End of transfer interrupt
I2C _n INTF.GCIF bit:	General call address reception interrupt
I2C _n INTF.NACKIF bit:	NACK reception interrupt
I2C _n INTF.STOPIF bit:	STOP condition interrupt
I2C _n INTF.STARTIF bit:	START condition interrupt
I2C _n INTF.ERRIF bit:	Error detection interrupt
I2C _n INTF.RBFIF bit:	Receive buffer full interrupt
I2C _n INTF.TBEIF bit:	Transmit buffer empty interrupt

I2C Ch.*n* Interrupt Enable Register

Register name	Bit	Bit name	Initial	Reset	R/W	Remarks
I2C _n INTE	15–8	–	0x00	–	R	–
	7	BYTEENDIE	0	H0	R/W	
	6	GCIE	0	H0	R/W	
	5	NACKIE	0	H0	R/W	
	4	STOPIE	0	H0	R/W	
	3	STARTIE	0	H0	R/W	
	2	ERRIE	0	H0	R/W	
	1	RBFIE	0	H0	R/W	
	0	TBEIE	0	H0	R/W	

Bits 15–8 Reserved

Bit 7 **BYTEENDIE**

Bit 6 **GCIE**

Bit 5 **NACKIE**

Bit 4 **STOPIE**

Bit 3 **STARTIE**

Bit 2 **ERRIE**

Bit 1 **RBFIE**

Bit 0 **TBEIE**

These bits enable I2C interrupts.

1 (R/W): Enable interrupts

0 (R/W): Disable interrupts

The following shows the correspondence between the bit and interrupt:

I2C _n INTE.BYTEENDIE bit:	End of transfer interrupt
I2C _n INTE.GCIE bit:	General call address reception interrupt
I2C _n INTE.NACKIE bit:	NACK reception interrupt
I2C _n INTE.STOPIE bit:	STOP condition interrupt
I2C _n INTE.STARTIE bit:	START condition interrupt
I2C _n INTE.ERRIE bit:	Error detection interrupt
I2C _n INTE.RBFIE bit:	Receive buffer full interrupt
I2C _n INTE.TBEIE bit:	Transmit buffer empty interrupt

I2C Ch.*n* Transmit Buffer Empty DMA Request Enable Register

Register name	Bit	Bit name	Initial	Reset	R/W	Remarks
I2C_nTBEDMAEN	15-0	TBEDMAEN[15:0]	0x0000	H0	R/W	–

Bits 15-0 TBEDMAEN[15:0]

These bits enable the I2C to issue a DMA transfer request to the corresponding DMA controller channel (Ch.0–Ch.15) when a transmit buffer empty state has occurred.

1 (R/W): Enable DMA transfer request

0 (R/W): Disable DMA transfer request

Each bit corresponds to a DMA controller channel. The high-order bits for the unimplemented channels are ineffective.

I2C Ch.*n* Receive Buffer Full DMA Request Enable Register

Register name	Bit	Bit name	Initial	Reset	R/W	Remarks
I2C_nRBFDMAEN	15-0	RBFDMAEN[15:0]	0x0000	H0	R/W	–

Bits 15-0 RBFDMAEN[15:0]

These bits enable the I2C to issue a DMA transfer request to the corresponding DMA controller channel (Ch.0–Ch.15) when a receive buffer full state has occurred.

1 (R/W): Enable DMA transfer request

0 (R/W): Disable DMA transfer request

Each bit corresponds to a DMA controller channel. The high-order bits for the unimplemented channels are ineffective.

17 16-bit PWM Timers (T16B)

17.1 Overview

T16B is a 16-bit PWM timer with comparator/capture functions. The features of T16B are listed below.

- Counter block
 - 16-bit up/down counter
 - A clock source and a clock division ratio for generating the count clock are selectable in each channel.
 - The count mode is configurable from combinations of up, down, or up/down count operations, and one-shot operations (counting for one cycle configured) or repeat operations (counting continuously until stopped via software).
 - Supports an event counter function using an external clock.
- Comparator/capture block
 - Supports up to six comparator/capture circuits to be included per one channel.
 - The comparator compares the counter value with the values specified via software to generate interrupt or DMA request signals, and a PWM waveform. (Can be used as an interval timer, PWM waveform generator, and external event counter.)
 - The capture circuit captures counter values using external/software trigger signals and generates interrupts or DMA requests. (Can be used to measure external event periods/cycles.)

Figure 17.1.1 shows the T16B configuration.

Table 17.1.1 T16B Channel Configuration of S1C31W74

Item	S1C31W74
Number of channels	2 channels (Ch.0 and Ch.1)
Event counter function	Ch.0: EXCL00 or EXCL01 pin input Ch.1: EXCL10 or EXCL11 pin input
Number of comparator/capture circuits per channel	2 systems (0 and 1)
Timer generating signal output	Ch.0: TOUT00 and TOUT01 pin outputs (2 systems) Ch.1: TOUT10 and TOUT11 pin outputs (2 systems)
Capture signal input	Ch.0: CAP00 and CAP01 pin inputs (2 systems) Ch.1: CAP10 and CAP11 pin inputs (2 systems)

Note: In this chapter, 'n' refers to a channel number, and 'm' refers to an input/output pin number or a comparator/capture circuit number in a channel.

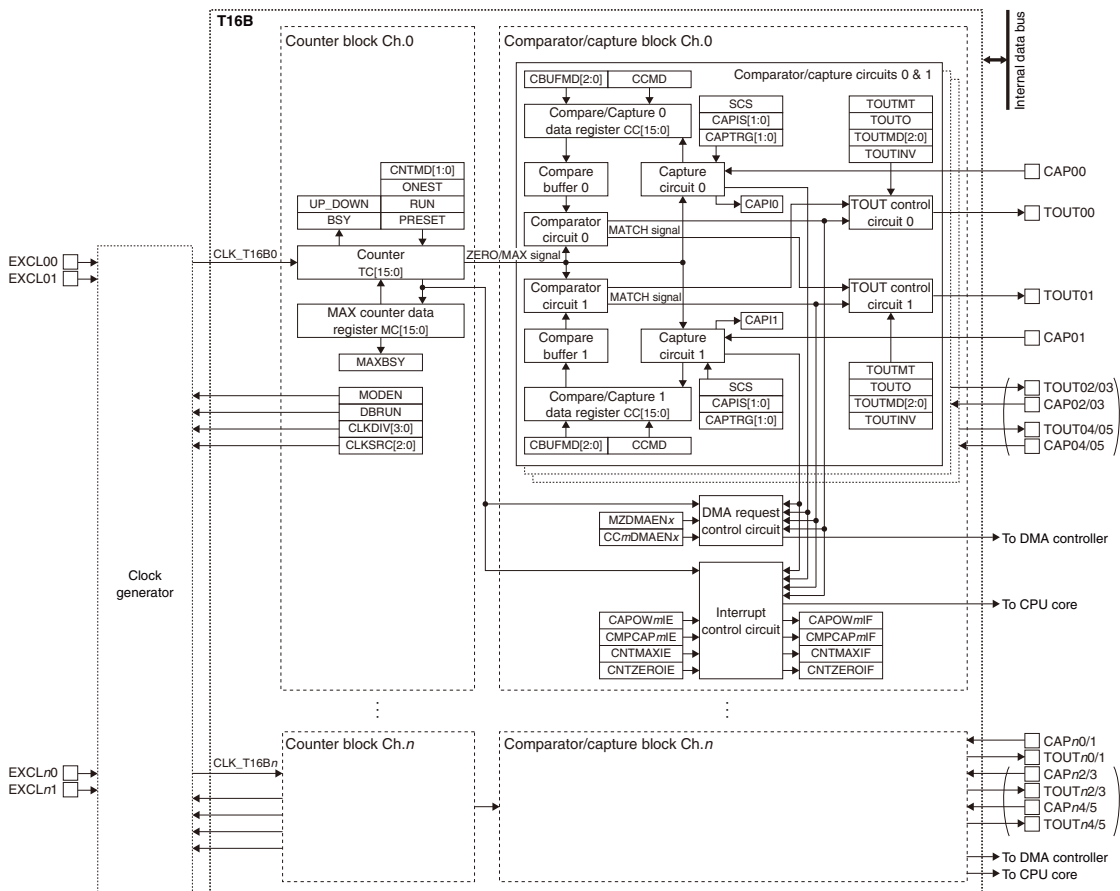


Figure 17.1.1 T16B Configuration

17.2 Input/Output Pins

Table 17.2.1 lists the T16B pins.

Table 17.2.1 List of T16B Pins

Pin name	I/O*	Initial status*	Function
EXCL n m	I	I (Hi-Z)	External clock input
TOUT n m/CAP n m	O or I	O (L)	TOUT signal output (in comparator mode) or capture trigger signal input (in capture mode)

* Indicates the status when the pin is configured for T16B.

If the port is shared with the T16B pin and other functions, the T16B input/output function must be assigned to the port before activating T16B. For more information, refer to the “I/O Ports” chapter.

17.3 Clock Settings

17.3.1 T16B Operating Clock

When using T16B Ch.*n*, the T16B Ch.*n* operating clock CLK_T16B*n* must be supplied to T16B Ch.*n* from the clock generator. The CLK_T16B*n* supply should be controlled as in the procedure shown below.

1. Enable the clock source in the clock generator if it is stopped (refer to “Clock Generator” in the “Power Supply, Reset, and Clocks” chapter).

When an external clock is used, select the EXCL*nm* pin function (refer to the “I/O Ports” chapter).

2. Set the following T16B_*n*CLK register bits:
 - T16B_*n*CLK.CLKSRC[2:0] bits (Clock source selection)
 - T16B_*n*CLK.CLKDIV[3:0] bits (Clock division ratio selection = Clock frequency setting)

17.3.2 Clock Supply in SLEEP Mode

When using T16B during SLEEP mode, the T16B operating clock CLK_T16B*n* must be configured so that it will keep supplying by writing 0 to the CLGOSC.*xxxx*SLPC bit for the CLK_T16B*n* clock source.

If the CLGOSC.*xxxx*SLPC bit for the CLK_T16B*n* clock source is 1, the CLK_T16B*n* clock source is deactivated during SLEEP mode and T16B stops with the register settings and counter value maintained at those before entering SLEEP mode. After the CPU returns to normal mode, CLK_T16B*n* is supplied and the T16B operation resumes.

17.3.3 Clock Supply During Debugging

The CLK_T16B*n* supply during debugging should be controlled using the T16B_*n*CLK.DBRUN bit.

The CLK_T16B*n* supply to T16B Ch.*n* is suspended when the CPU enters debug state if the T16B_*n*CLK.DBRUN bit = 0. After the CPU returns to normal operation, the CLK_T16B*n* supply resumes. Although T16B Ch.*n* stops operating when the CLK_T16B*n* supply is suspended, the counter and registers retain the status before debug state was entered. If the T16B_*n*CLK.DBRUN bit = 1, the CLK_T16B*n* supply is not suspended and T16B Ch.*n* will keep operating in debug state.

17.3.4 Event Counter Clock

When EXCL*nm* is selected as the clock source using the T16B_*n*CLK.CLKSRC[2:0] bits, the channel functions as a timer or event counter that counts the EXCL*nm* pin input clocks.

The counter counts rising edges of the input signal. This can be changed so that the counter will count falling edges of the original signal by selecting EXCL*nm* inverted input as the clock source.

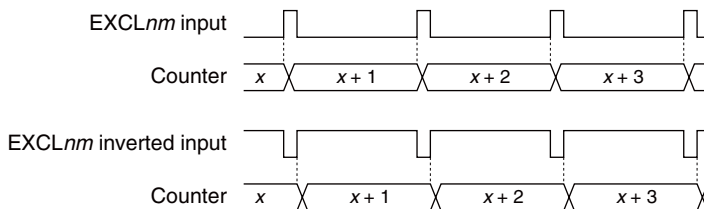


Figure 17.3.4.1 Count Timing (During Count Up Operation)

Note: When running the counter using the event counter clock, two dummy clocks must be input before the first counting up/down can be performed.

17.4 Operations

17.4.1 Initialization

T16B Ch.*n* should be initialized and started counting with the procedure shown below. Perform initial settings for comparator mode when using T16B as an interval timer, PWM waveform generator, or external event counter. Perform initial settings for capture mode when using T16B to measure external event periods/cycles.

Initial settings for comparator mode

1. Configure the T16B Ch.*n* operating clock.
2. Set the T16B_*n*CTL.MODEN bit to 1. (Enable T16B operations)
3. Set the following T16B_*n*CCCTL0 and T16B_*n*CCCTL1 register bits:
 - Set the T16B_*n*CCCTL*m*.CCMD bit to 0. * (Set comparator mode)
 - T16B_*n*CCCTL*m*.CBUFMD[2:0] bits (Configure compare buffer)

* Another circuit in the comparator/capture circuit pair (circuits 0 and 1, 2 and 3, 4 and 5) can be set to capture mode.

Set the following bits when the TOUT*nm* output is used.

 - T16B_*n*CCCTL*m*.TOUTMT bit (Select waveform generation signal)
 - T16B_*n*CCCTL*m*.TOUTMD[2:0] bits (Select TOUT signal generation mode)
 - T16B_*n*CCCTL*m*.TOUTINV bit (Select TOUT signal polarity)
4. Set the T16B_*n*MC register. (Set MAX counter data)
5. Set the T16B_*n*CCR0 and T16B_*n*CCR1 registers. (Set the counter comparison value)
6. Set the following bits when using the interrupt:
 - Write 1 to the interrupt flags in the T16B_*n*INTF register. (Clear interrupt flags)
 - Set the interrupt enable bits in the T16B_*n*INTE register to 1. (Enable interrupts)
7. Configure the DMA controller and set the following T16B control bits when using DMA transfer:
 - Write 1 to the DMA transfer request enable bits in the T16B_*n*MZDMAEN and T16B_*n*CCmDMAEN registers. (Enable DMA transfer requests)
8. Set the following T16B_*n*CTL register bits:
 - T16B_*n*CTL.CNTMD[1:0] bits (Select count up/down operation)
 - T16B_*n*CTL.ONEST bit (Select one-shot/repeat operation)
 - Set the T16B_*n*CTL.PRESET bit to 1. (Reset counter)
 - Set the T16B_*n*CTL.RUN bit to 1. (Start counting)

Initial settings for capture mode

1. Configure the T16B Ch.*n* operating clock.
2. Set the T16B_*n*CTL.MODEN bit to 1. (Enable T16B operations)
3. Set the following T16B_*n*CCCTL0 and T16B_*n*CCCTL1 register bits:
 - Set the T16B_*n*CCCTL*m*.CCMD bit to 1. * (Set capture mode)
 - T16B_*n*CCCTL*m*.SCS bit (Set synchronous/asynchronous mode)
 - T16B_*n*CCCTL*m*.CAPIS[1:0] bits (Set trigger signal)
 - T16B_*n*CCCTL*m*.CAPTRG[1:0] bits (Select trigger edge)

* Another circuit in the comparator/capture circuit pair (circuits 0 and 1, 2 and 3, 4 and 5) can be set to comparator mode.
4. Set the T16B_*n*MC register. (Set MAX counter data)
5. Set the following bits when using the interrupt:
 - Write 1 to the interrupt flags in the T16B_*n*INTF register. (Clear interrupt flags)
 - Set the interrupt enable bits in the T16B_*n*INTE register to 1. (Enable interrupts)

6. Configure the DMA controller and set the following T16B control bits when using DMA transfer:
 - Write 1 to the DMA transfer request enable bits in the T16B_nMZDMAEN and T16B_nCCmDMAEN registers. (Enable DMA transfer requests)
7. Set the following T16B_nCTL register bits:
 - T16B_nCTL.CNTMD[1:0] bits (Select count up/down operation)
 - T16B_nCTL.ONEST bit (Select one-shot/repeat operation)
 - Set the T16B_nCTL.PRESET bit to 1. (Reset counter)
 - Set the T16B_nCTL.RUN bit to 1. (Start counting)

17.4.2 Counter Block Operations

The counter in each counter block channel is a 16-bit up/down counter that counts the selected operating clock (count clock).

Count mode

The T16B_nCTL.CNTMD[1:0] bits allow selection of up, down, and up/down mode. The T16B_nCTL.ONEST bit allows selection of repeat and one-shot mode. The counter operates in six counter modes specified with a combination of these modes.

Repeat mode enables the counter to continue counting until stopped via software. Select this mode to generate periodic interrupts at desired intervals or to generate timer output waveforms.

One-shot mode enables the counter to stop automatically. Select this mode to stop the counter after an interrupt has occurred once, such as for measuring pulse width or external event intervals and checking a specific lapse of time.

Up, down, and up/down mode configures the counter as an up counter, down counter and up/down counter, respectively.

MAX counter data register

The MAX counter data register (T16B_nMC.MC[15:0] bits) is used to set the maximum value of the counter (hereafter referred to as MAX value). This setting limits the count range to 0x0000–MAX value and determines the count and interrupt cycles. When the counter is set to repeat mode, the MAX value can be rewritten in the procedure shown below even if the counter is running.

1. Check to see if the T16B_nCTL.MAXBSY bit is set to 0.
2. Write the MAX value to the T16B_nMC.MC[15:0] bits.

Counter reset

Setting the T16B_nCTL.PRESET bit to 1 resets the counter. This clears the counter to 0x0000 in up or up/down mode, or presets the MAX value to the counter in down mode.

The counter is also cleared to 0x0000 when the counter value exceeds the MAX value during count up operation.

Counting start

To start counting, set the T16B_nCTL.RUN bit to 1. The counting stop control depends on the count mode set.

Counter value read

The counter value can be read out from the T16B_nTC.TC[15:0] bits. However, since T16B operates on CLK_T16Bn, one of the operations shown below is required to read correctly by the CPU.

- Read the counter value twice or more and check to see if the same value is read.
- Stop the timer and then read the counter value.

Counter status check

The counter operating status can be checked using the T16B_nCS.BSY bit. The T16B_nCS.BSY bit is set to 1 while the counter is running or 0 while the counter is idle.

The current count direction can also be checked using the T16B_nCS.UP_DOWN bit. The T16B_nCS.UP_DOWN bit is set to 1 during count up operation or 0 during count down operation.

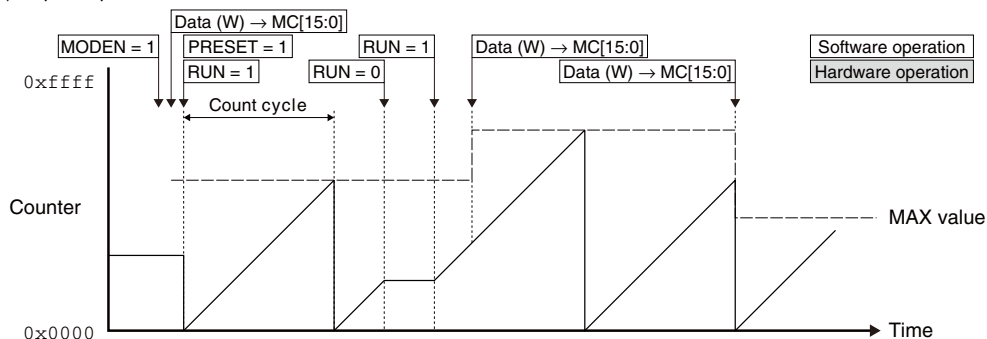
Operations in repeat up count and one-shot up count modes

In these modes, the counter operates as an up counter and counts from 0x0000 (or current value) to the MAX value.

In repeat up count mode, the counter returns to 0x0000 if it exceeds the MAX value and continues counting until the T16B_nCTL.RUN bit is set to 0. If the MAX value is altered to a value larger than the current counter value during counting, the counter keeps counting up to the new MAX value. If the MAX value is altered to a value smaller than the current counter value, the counter is cleared to 0x0000 and continues counting up to the new MAX value.

In one-shot up count mode, the counter returns to 0x0000 if it exceeds the MAX value and stops automatically at that point.

(1) Repeat up count mode



(2) One-shot up count mode

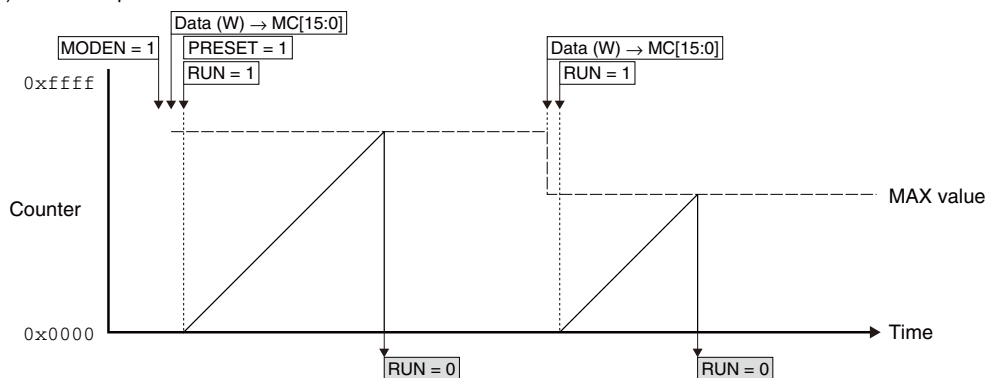


Figure 17.4.2.1 Operations in Repeat Up Count and One-shot Up Count Modes

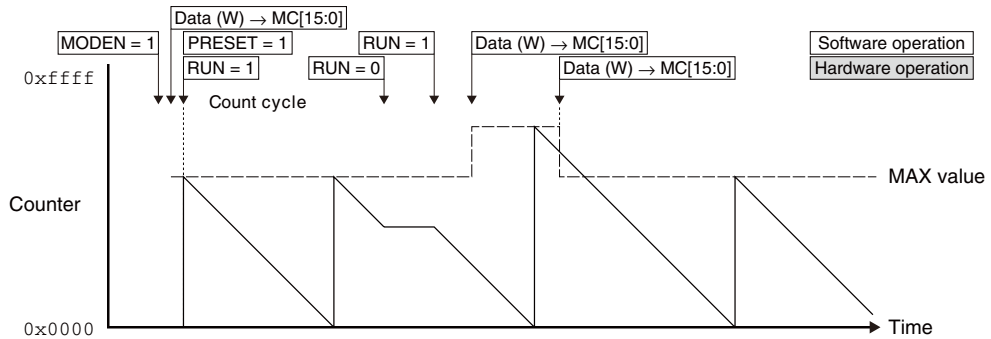
Operations in repeat down count and one-shot down count modes

In these modes, the counter operates as a down counter and counts from the MAX value (or current value) to 0x0000.

In repeat down count mode, the counter returns to the MAX value if a counter underflow occurs and continues counting until the T16B_nCTL.RUN bit is set to 0. If the MAX value is altered during counting, the counter keeps counting down to 0x0000 and continues counting down from the new MAX value after a counter underflow occurs.

In one-shot down count mode, the counter returns to the MAX value if a counter underflow occurs and stops automatically at that point.

(1) Repeat down count mode



(2) One-shot down count mode

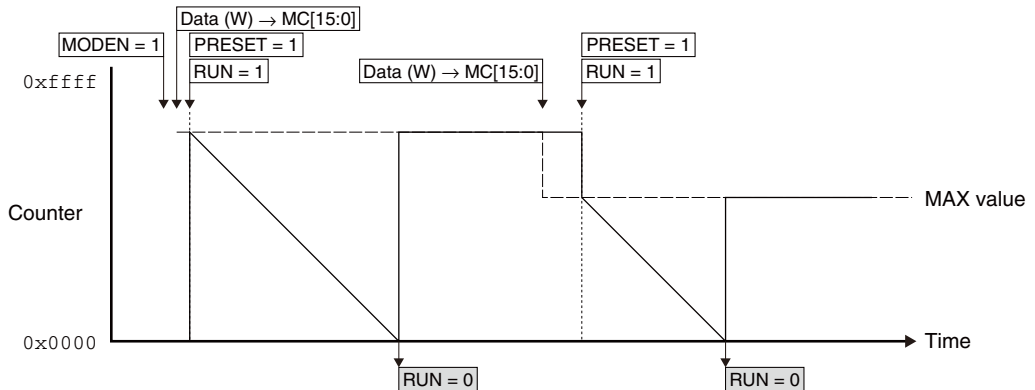


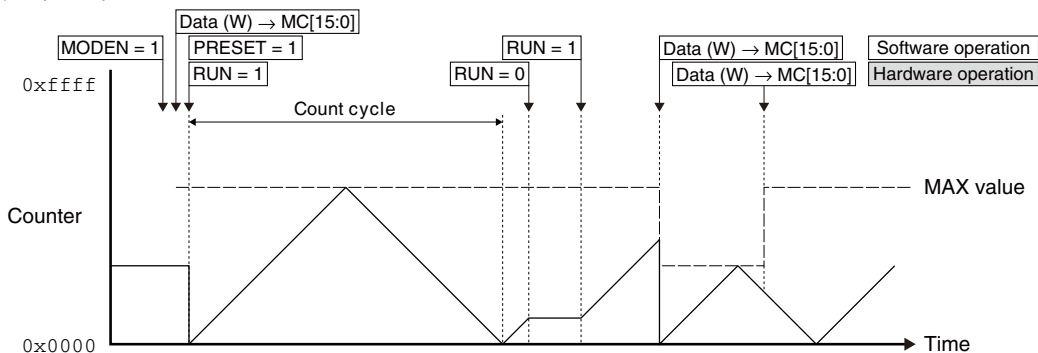
Figure 17.4.2.2 Operations in Repeat Down Count and One-shot Down Count Modes

Operations in repeat up/down count and one-shot up/down count modes

In these modes, the counter operates as an up/down counter and counts as 0x0000 (or current value) → the MAX value → 0x0000.

In repeat up/down count mode, the counter repeats counting up from 0x0000 to the MAX value and counting down from the MAX value to 0x0000 until the T16B_nCTL.RUN bit is set to 0. If the MAX value is altered to a value larger than the current counter value during count up operation, the counter keeps counting up to the new MAX value. If the MAX value is altered to a value smaller than the current counter value, the counter is cleared to 0x0000 and continues counting up to the new MAX value. If the MAX value is altered during count down operation, the counter keeps counting down to 0x0000 and then starts counting up to the new MAX value. In one-shot up/down count mode, the counter stops automatically when it reaches 0x0000 during count down operation.

(1) Repeat up/down count mode



(2) One-shot up/down count mode

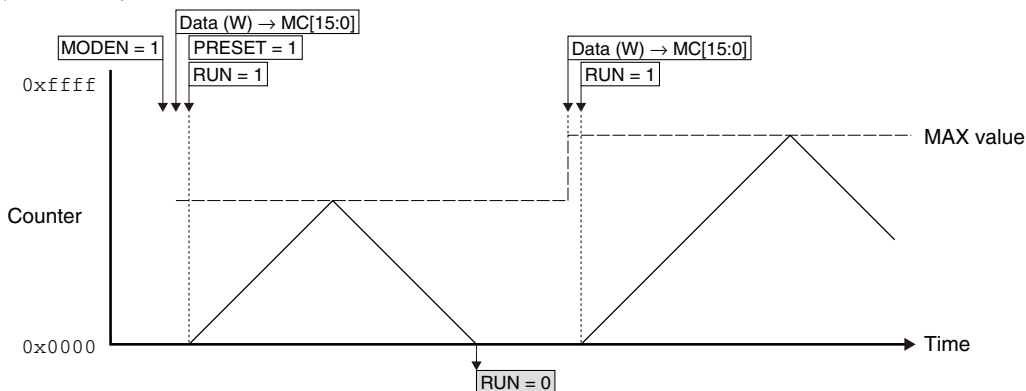


Figure 17.4.2.3 Operations in Repeat Up/Down Count and One-shot Up/Down Count Modes

17.4.3 Comparator/Capture Block Operations

The comparator/capture block functions as a comparator to compare the counter value with the register value set or a capture circuit to capture counter values using the external/software trigger signals.

Comparator/capture block operating mode

The comparator/capture block includes two systems (four or six systems) of comparator/capture circuits and each system can be set to comparator mode or capture mode, individually.

Set the T16B_nCCCTLm.CCMD bit to 0 to set the comparator/capture circuit *m* to comparator mode or 1 to set it to capture mode.

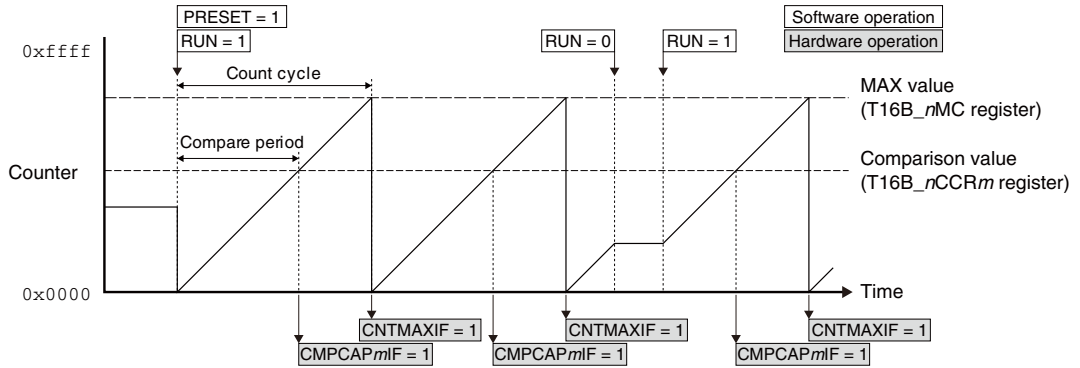
Operations in comparator mode

The comparator mode compares the counter value and the value set via software. It generates an interrupt and toggles the timer output signal level when the values are matched. The T16B_nCCRm register functions as the compare data register used for setting a comparison value in this mode. The TOUTnm/CAPnm pin is configured to the TOUTnm pin.

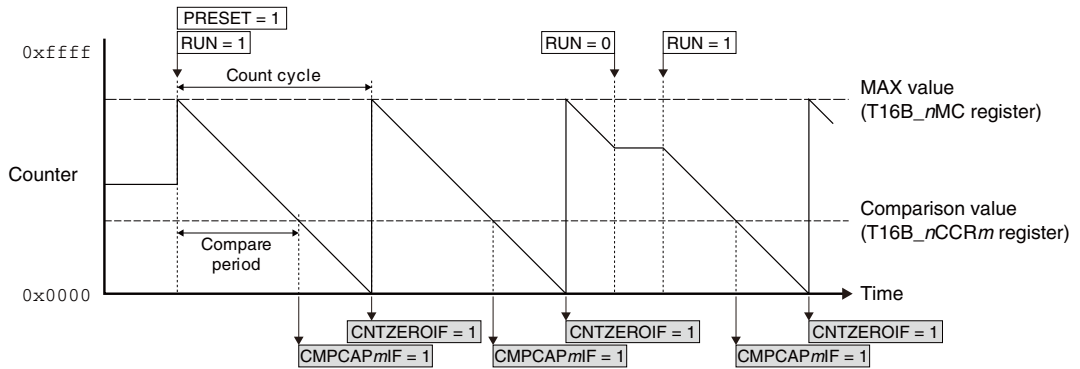
When the counter reaches the value set in the T16B_nCCRm register during counting, the comparator asserts the MATCH signal and sets the T16B_nINTF.COMPCAPmIF bit (compare interrupt flag) to 1.

When the counter reaches the MAX value in comparator mode, the T16B_nINTF.CNTMAXIF bit (counter MAX interrupt flag) is set to 1. When the counter reaches 0x0000, the T16B_nINTF.CNTZEROIF bit (counter zero interrupt flag) is set to 1.

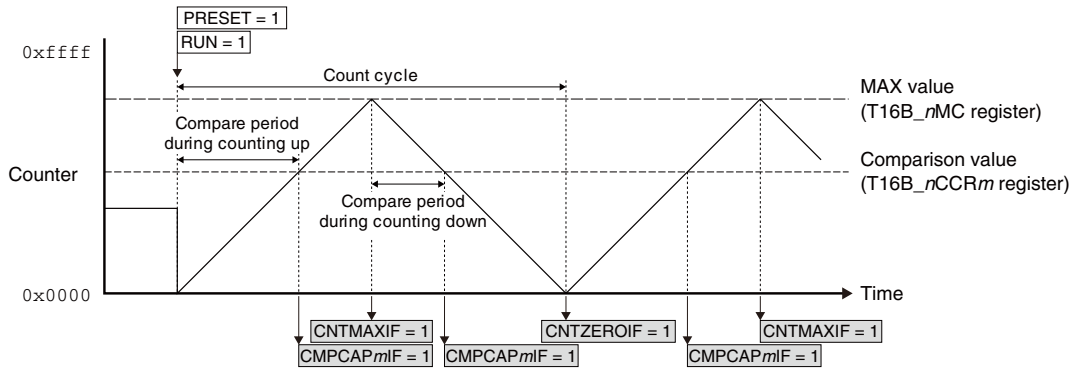
(1) Repeat up count mode



(2) Repeat down count mode



(3) Repeat up/down count mode



(Note that the T16B_nINTF.CMPCAPmIF/CNTMAXIF/CNTZEROIF bit clearing operations via software are omitted from the figure.)

Figure 17.4.3.1 Operation Examples in Comparator Mode

The time from counter = 0x0000 or MAX value to occurrence of a compare interrupt (compare period) and the time to occurrence of a counter MAX or counter zero interrupt (count cycle) can be calculated as follows:

During counting up

$$\text{Compare period} = \frac{(CC + 1)}{f_{CLK_T16B}} [s] \quad \text{Count cycle} = \frac{(MAX + 1)}{f_{CLK_T16B}} [s] \quad (\text{Eq. 17.1})$$

During counting down

$$\text{Compare period} = \frac{(MAX - CC + 1)}{f_{CLK_T16B}} [s] \quad \text{Count cycle} = \frac{(MAX + 1)}{f_{CLK_T16B}} [s] \quad (\text{Eq. 17.2})$$

Where

- CC: T16B_nCCRM register setting value (0 to 65,535)
- MAX: T16B_nMC register setting value (0 to 65,535)
- fCLK_T16B: Count clock frequency [Hz]

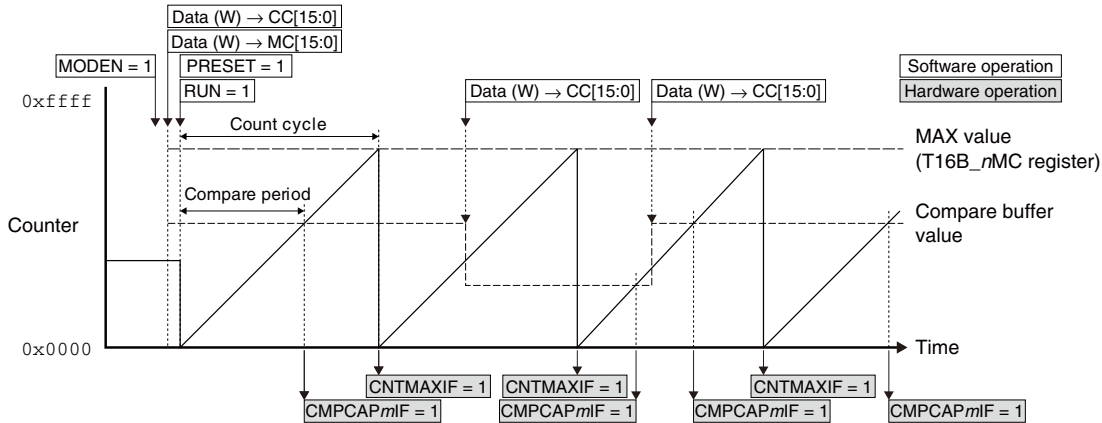
The comparator MATCH signal and counter MAX/ZERO signals are also used to generate a timer output waveform (TOUT). Refer to “TOUT Output Control” for more information.

Compare buffer

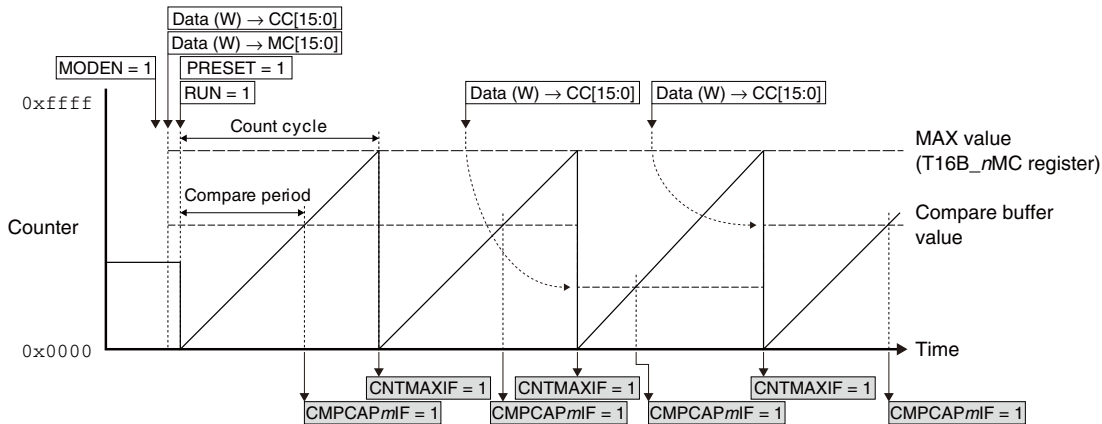
The comparator loads the comparison value, which has been written to the T16B_nCCRM register, to the compare buffer before comparing it with the counter value. For example, when generating a PWM waveform, the waveform with the desired duty ratio may not be generated if the comparison value is altered asynchronous to the count operation. To avoid this problem, the timing to load the comparison value to the compare buffer can be configured using the T16B_nCCCTLm.CBUFMD[2:0] bits for synchronization with the count operation.

(1) Repeat up count mode

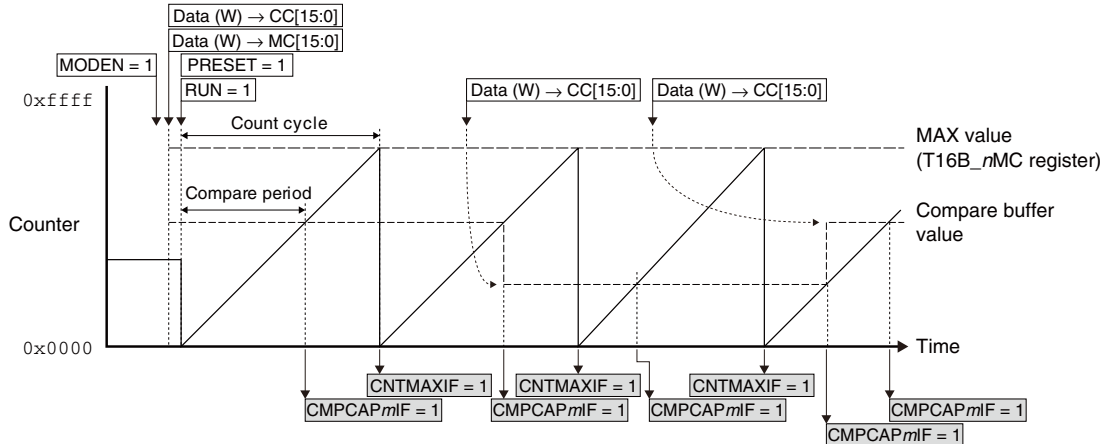
(1.1) T16B_nCCCTLm.CBUFMD[2:0] bits = 0x0



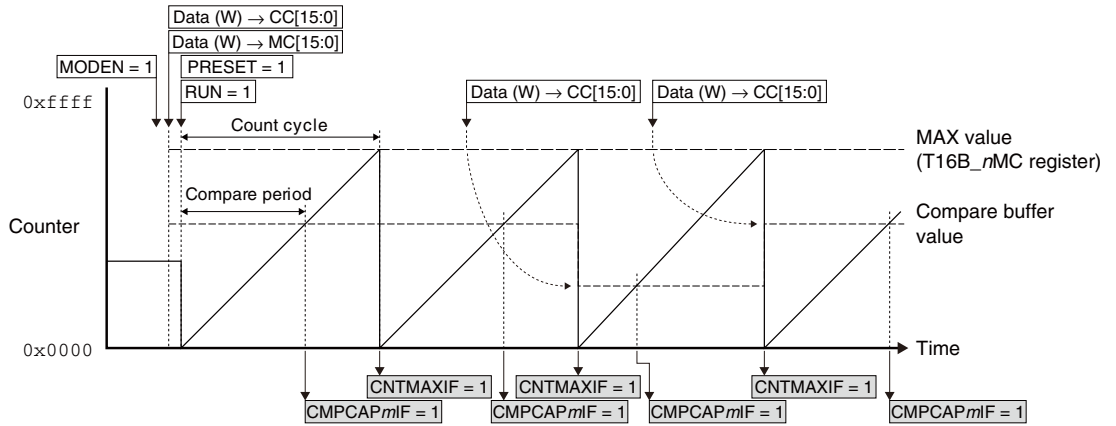
(1.2) T16B_nCCCTLm.CBUFMD[2:0] bits = 0x1



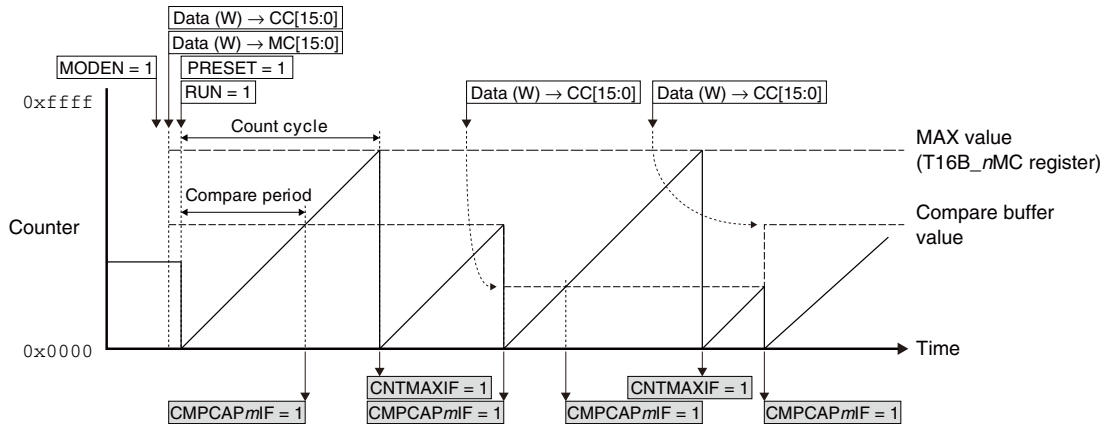
(1.3) T16B_nCCCTLm.CBUFMD[2:0] bits = 0x2



(1.4) T16B_nCCCTLm.CBUFMD[2:0] bits = 0x3



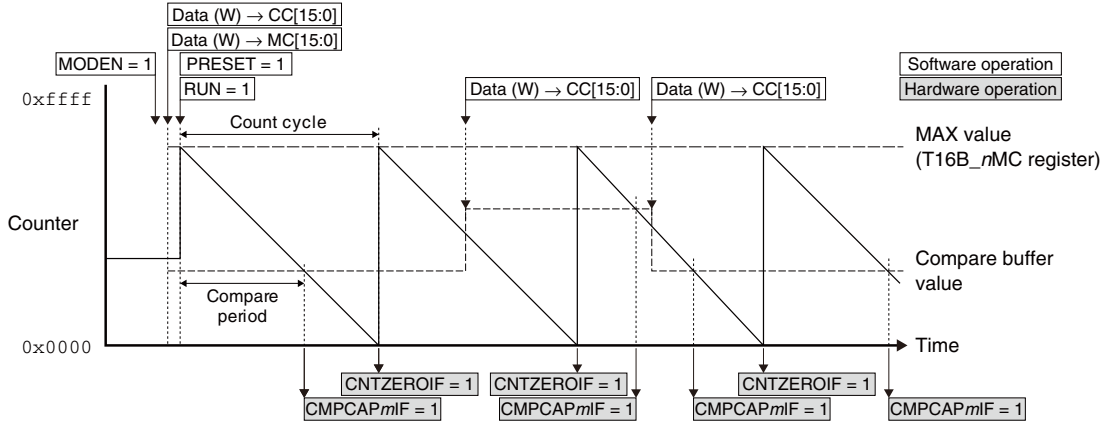
(1.5) T16B_nCCCTLm.CBUFMD[2:0] bits = 0x4



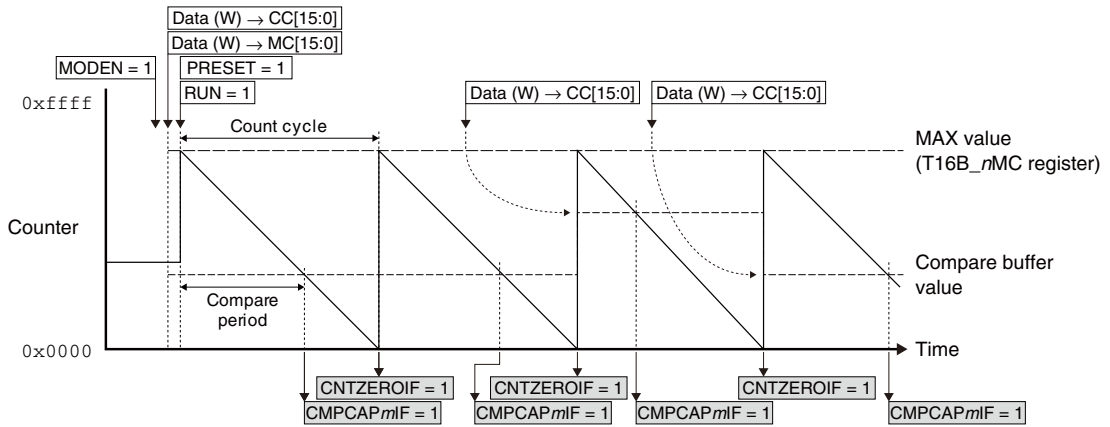
17 16-BIT PWM TIMERS (T16B)

(2) Repeat down count mode

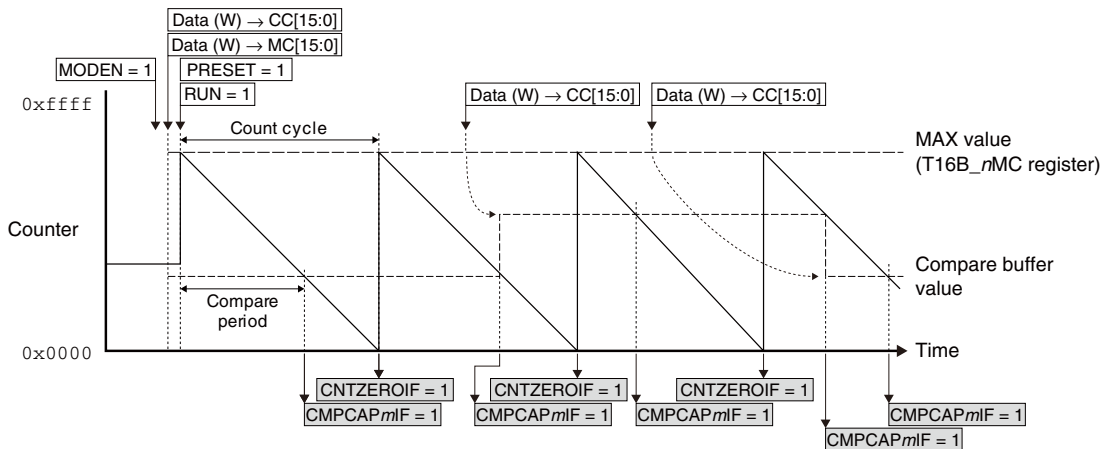
(2.1) T16B_nCCCTLm.CBUFMD[2:0] bits = 0x0



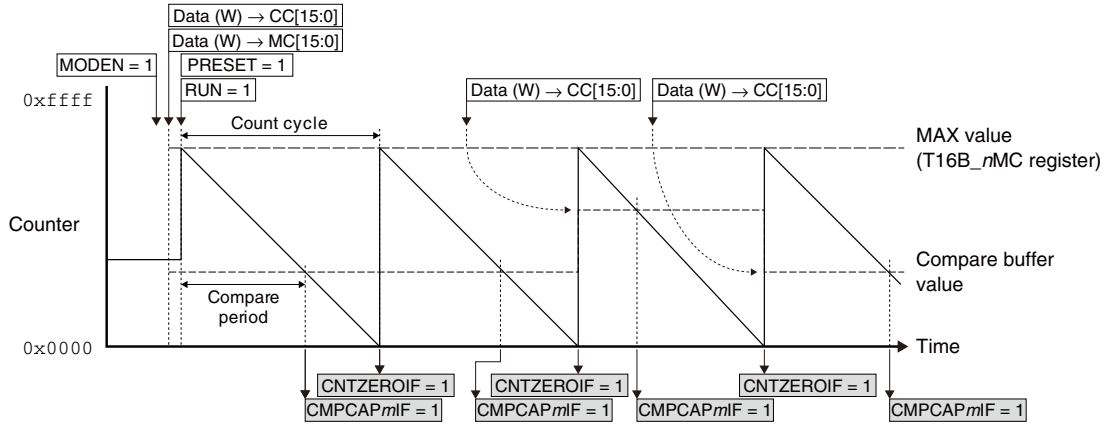
(2.2) T16B_nCCCTLm.CBUFMD[2:0] bits = 0x1



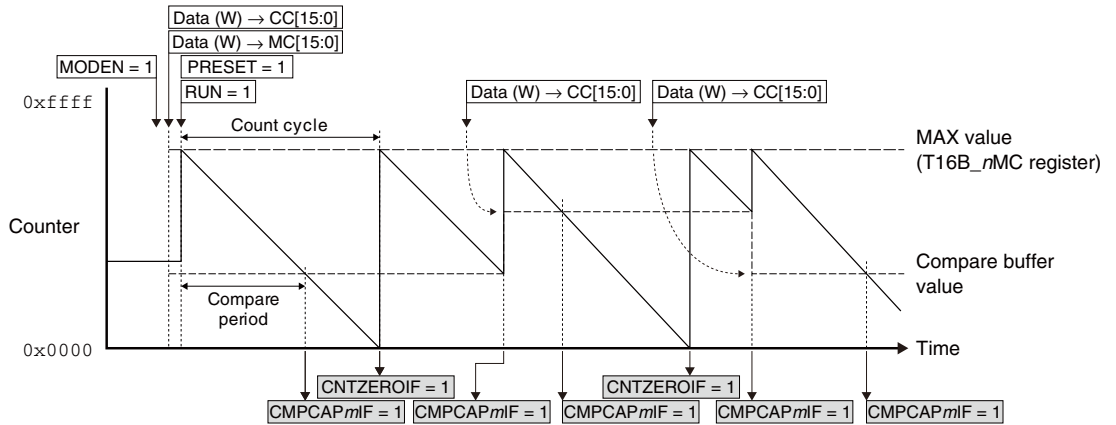
(2.3) T16B_nCCCTLm.CBUFMD[2:0] bits = 0x2



(2.4) T16B_nCCCTLm.CBUFMD[2:0] bits = 0x3

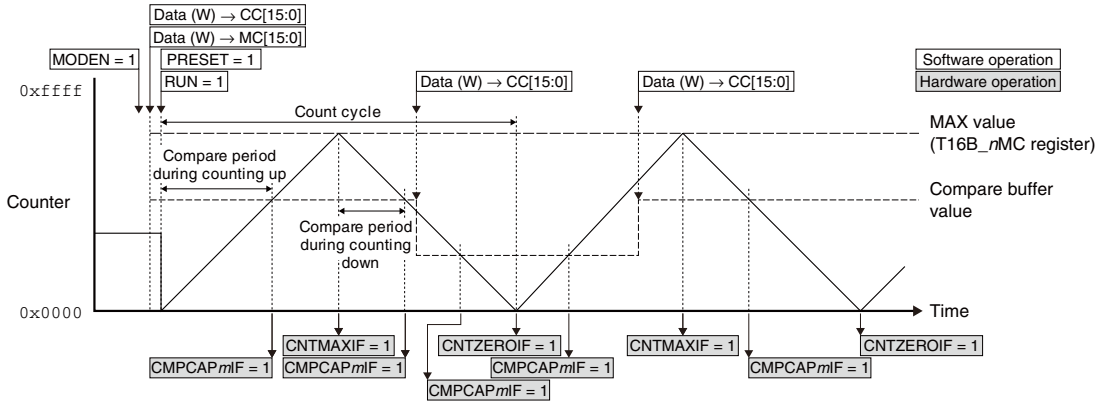


(2.5) T16B_nCCCTLm.CBUFMD[2:0] bits = 0x4



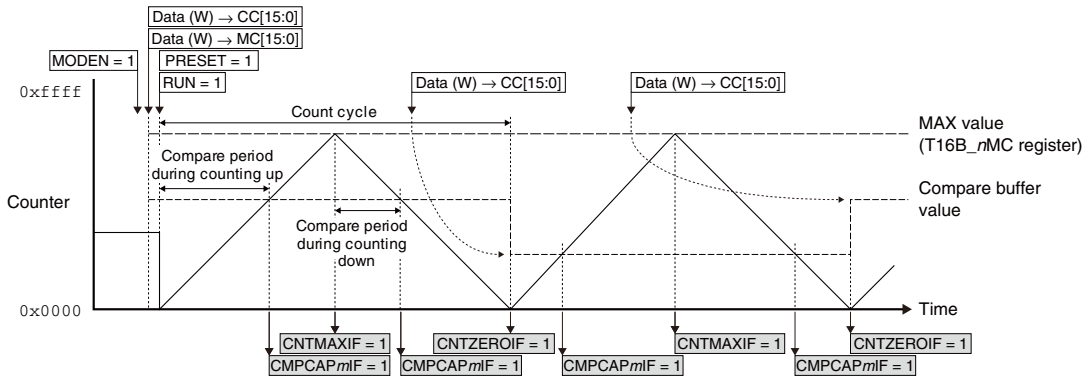
(3) Repeat up/down count mode

(3.1) T16B_nCCCTLm.CBUFMD[2:0] bits = 0x0

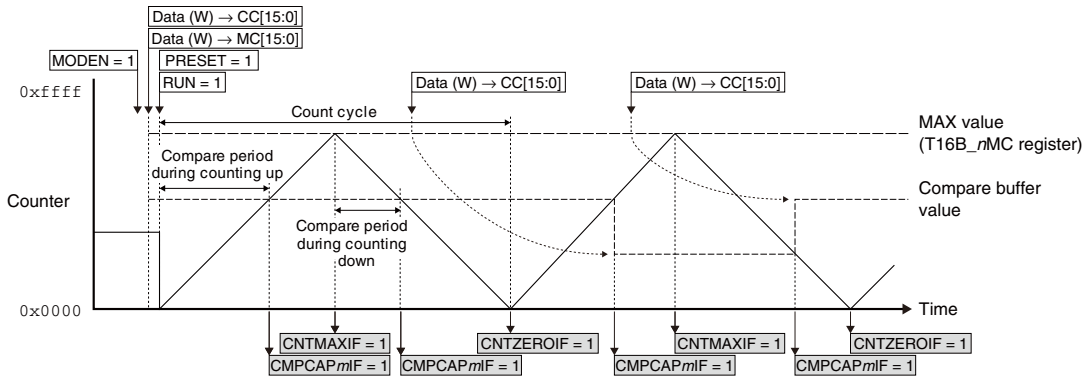


17 16-BIT PWM TIMERS (T16B)

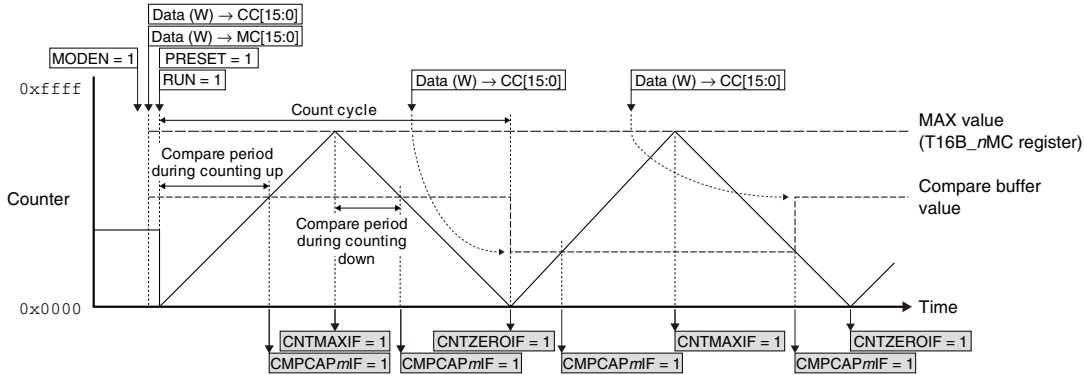
(3.2) T16B_nCCCTLm.CBUFMD[2:0] bits = 0x1



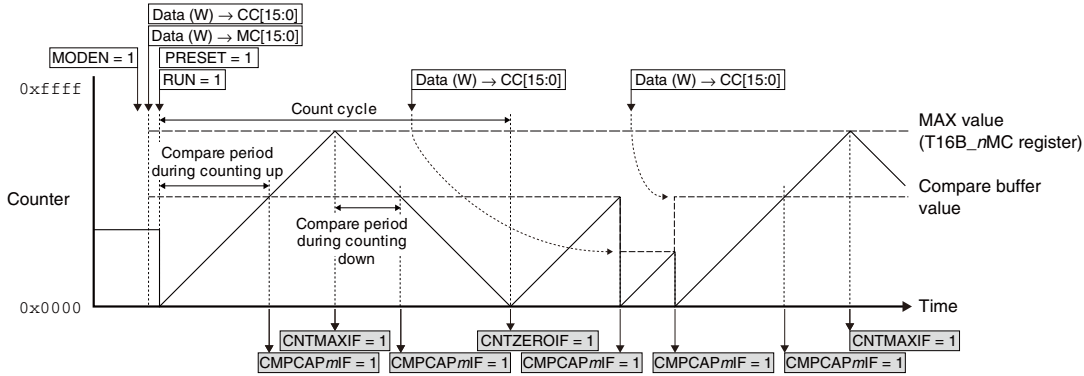
(3.3) T16B_nCCCTLm.CBUFMD[2:0] bits = 0x2



(3.4) T16B_nCCCTLm.CBUFMD[2:0] bits = 0x3



(3.5) T16B_nCCCTLm.CBUFMD[2:0] bits = 0x4



(Note that the T16B_nINTF.CMPCAPmIF/CNTMAXIF/CNTZEROIF bit clearing operations via software are omitted from the figure.)

Figure 17.4.3.2 Compare Buffer Operations

Compare period and count cycle settings using DMA

By setting the T16B_nCCmDMAEN.CCmDMAEN_x bit to 1 (DMA transfer request enabled) in comparator mode, a DMA transfer request is sent to the DMA controller and compare data is transferred from the specified memory to the T16B_nCCR_m register via DMA Ch._x when the T16B_nINTF.CMPCAP_mIF bit is set to 1 (when the counter reaches the compare buffer value).

Similarly, by setting the T16B_nCCmDMAEN.MZDMAEN_x bit to 1 (DMA transfer request enabled), a DMA transfer request is sent to the DMA controller and a counter MAX value is transferred from the specified memory to the T16B_nMC register via DMA Ch._x when the T16B_nINTF.CNTMAXIF bit is set to 1 (when the counter reaches the MAX value) in up or up/down count mode, or when the T16B_nINTF.CNTZEROIF bit is set to 1 (when the counter reaches zero) in down count mode.

This automates the compare period and count cycle settings of the timer counter.

The transfer source/destination and control data must be set for the DMA controller and the relevant DMA channel must be enabled to start a DMA transfer in advance so that the setting data will be transferred to the T16B_nCCR_m or T16B_nMC register. For more information on DMA, refer to the “DMA Controller” chapter.

Table 17.4.3.1 DMA Data Structure Configuration Example (T16B Compare Period and Count Cycle Settings)

	Item	Setting example
End pointer	Transfer source	Memory address in which the last setting data is stored
	Transfer destination	T16B_nCCR _m or T16B_nMC register address
Control data	dst_inc	0x3 (no increment)
	dst_size	0x1 (halfword)
	src_inc	0x1 (+2)
	src_size	0x1 (halfword)
	R_power	0x0 (arbitrated for every transfer)
	n_minus_1	Number of transfer data
	cycle_ctrl	0x1 (basic transfer)

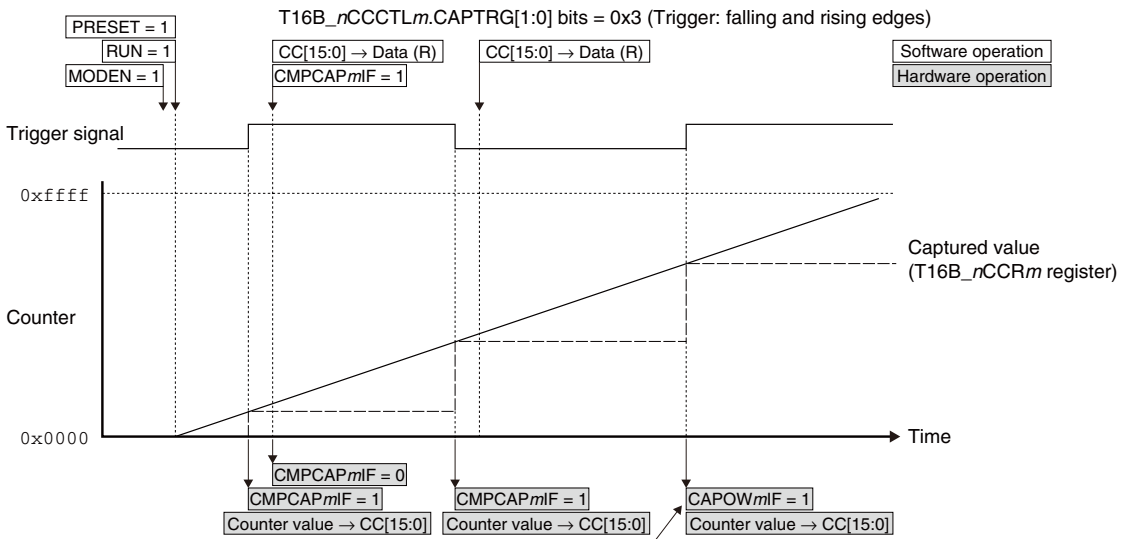
Operations in capture mode

The capture mode captures the counter value when an external event, such as a key entry, occurs (at the specified edge of the external input/software trigger signal). In this mode, the T16B_nCCR_m register functions as the capture register from which the captured data is read. Furthermore, the TOUT_{nm}/CAP_{nm} pin is configured to the CAP_{nm} pin.

The trigger signal and the trigger edge to capture the counter value are selected using the T16B_nCCCTL_m.CAPIS[1:0] bits and the T16B_nCCCTL_m.CAPTRG[1:0] bits, respectively.

When a specified trigger edge is input during counting, the current counter value is loaded to the T16B_nCCR_m register. At the same time the T16B_nINTF.CMPCAP_mIF bit is set. The interrupt occurred by this bit can be used to read the captured data from the T16B_nCCR_m register. For example, external event cycles and pulse widths can be measured from the difference between two captured counter values read.

If the captured data stored in the T16B_nCCR_m register is overwritten by the next trigger when the T16B_nINTF.CMPCAP_mIF bit is still set, an overwrite error occurs (the T16B_nINTF.CAPOW_mIF bit is set).



An overwrite error occurs as the T16B_nINTF.CMPCAPmIF bit has not been cleared.

Figure 17.4.3.3 Operations in Capture Mode (Example in One-shot Up Count Mode)

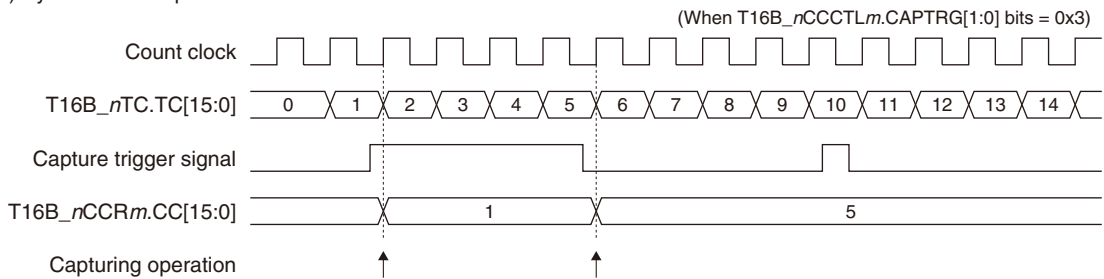
Synchronous capture mode/asynchronous capture mode

The capture circuit can operate in two operating modes: synchronous capture mode and asynchronous capture mode.

Synchronous capture mode is provided to avoid the possibility of invalid data reading by capturing counter data simultaneously with the counter being counted up/down. Set the T16B_nCCCTLm.SCS bit to 1 to set the capture circuit to synchronous capture mode. This mode captures counter data by synchronizing the capture signal with the counter clock.

On the other hand, asynchronous capture mode can capture counter data by detecting a trigger pulse even if the pulse is shorter than the counter clock cycle that becomes invalid in synchronous capture mode. Set the T16B_nCCCTLm.SCS bit to 0 to set the capture circuit to asynchronous capture mode.

(1) Synchronous capture mode



(2) Asynchronous capture mode

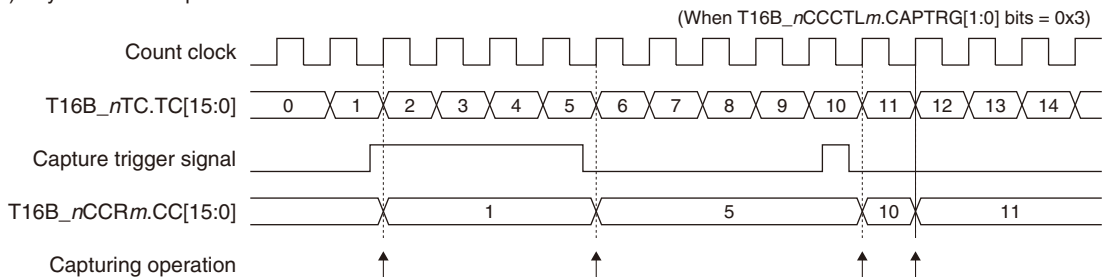


Figure 17.4.3.4 Synchronous Capture Mode/Asynchronous Capture Mode

Capture data transfer using DMA

By setting the T16B_nCCmDMAEN.CCmDMAENx bit to 1 (DMA transfer request enabled) in capture mode, a DMA transfer request is sent to the DMA controller and the T16B_nCCRm register value is transferred to the specified memory via DMA Ch.x when the T16B_nINTF.CMPCAPmIF bit is set to 1 (when data has been captured).

This automates reading and saving of capture data.

The transfer source/destination and control data must be set for the DMA controller and the relevant DMA channel must be enabled to start a DMA transfer in advance. For more information on DMA, refer to the “DMA Controller” chapter.

Table 17.4.3.2 DMA Data Structure Configuration Example (Capture Data Transfer)

Item	Setting example	
End pointer	Transfer source	T16B_nCCRm register address
	Transfer destination	Memory address to which the last capture data is stored
Control data	dst_inc	0x1 (+2)
	dst_size	0x1 (halfword)
	src_inc	0x3 (no increment)
	src_size	0x1 (halfword)
	R_power	0x0 (arbitrated for every transfer)
	n_minus_1	Number of transfer data
	cycle_ctrl	0x1 (basic transfer)

17.4.4 TOUT Output Control

Comparator mode can generate TOUT signals using the comparator MATCH and counter MAX/ZERO signals. The generated signals can be output to outside the IC. Figure 17.4.4.1 shows the TOUT output circuits (circuits 0 and 1).

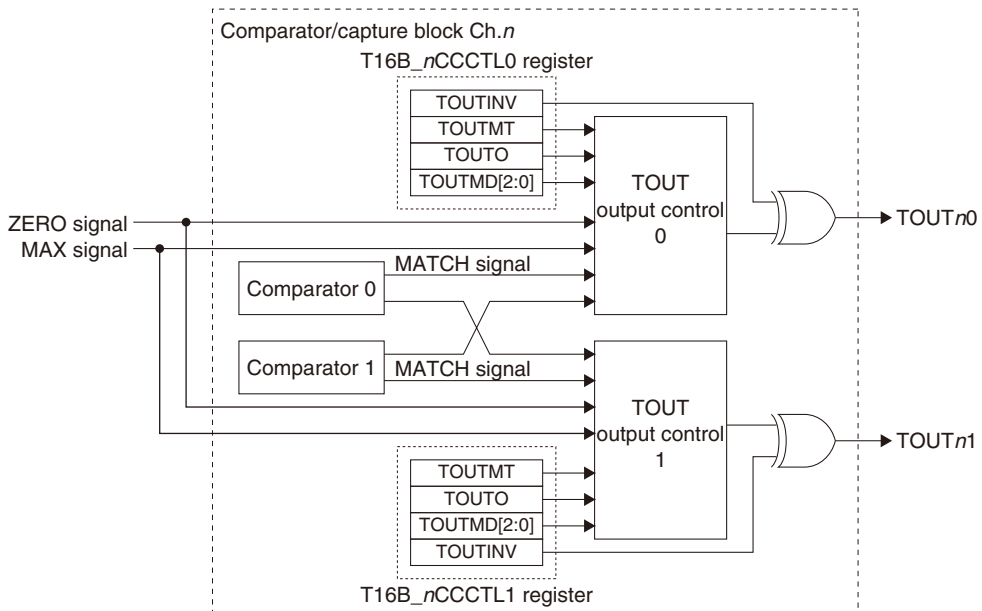


Figure 17.4.4.1 TOUT Output Circuits (Circuits 0 and 1)

Each timer channel includes two (four, or six) TOUT output circuits and their signal generation and output can be controlled individually.

TOUT generation mode

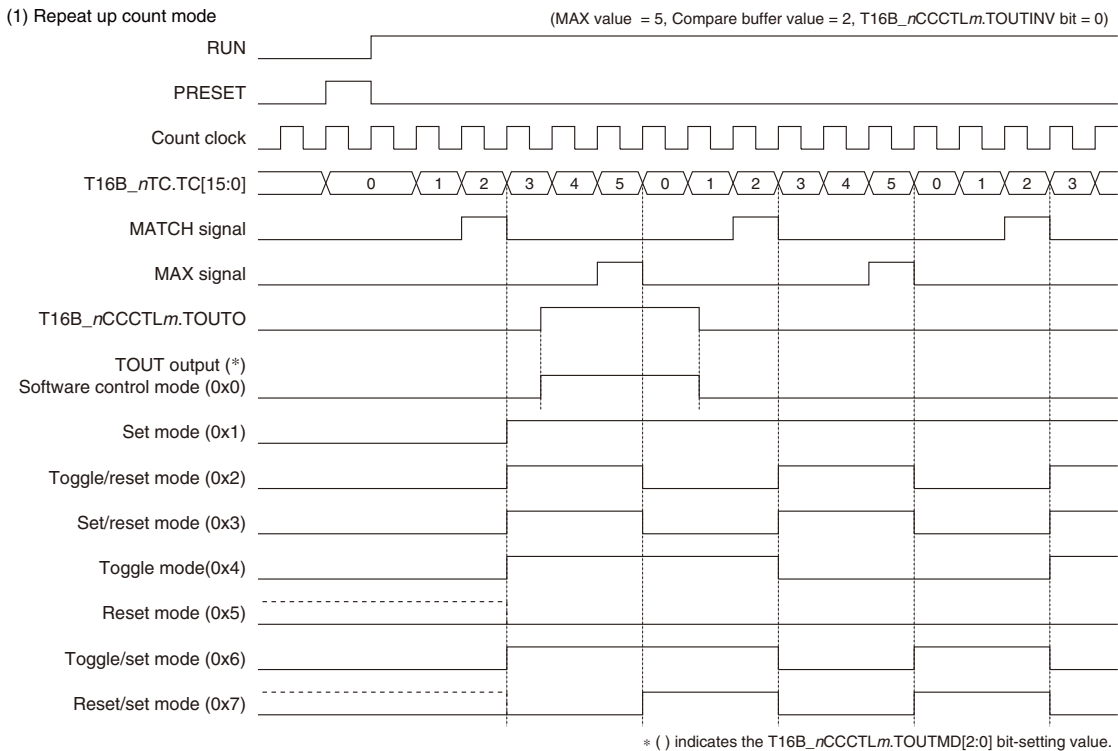
The T16B_nCCCTLm.TOUTMD[2:0] bits are used to set how the TOUT signal waveform is changed by the MATCH and MAX/ZERO signals.

Furthermore, when the T16B_nCCCTLm.TOUTMT bit is set to 1, the TOUT circuit uses the MATCH signal output from another system in the circuit pair (0 and 1, 2 and 3, 4 and 5). This makes it possible to change the signal twice within a counter cycle.

TOUT signal polarity

The TOUT signal polarity (active level) can be set using the T16B_nCCCTLm.TOUTINV bit. It is set to active high by setting the T16B_nCCCTLm.TOUTINV bit to 0 and active low by setting to 1.

Figures 17.4.4.2 and 17.4.4.3 show the TOUT output waveforms.



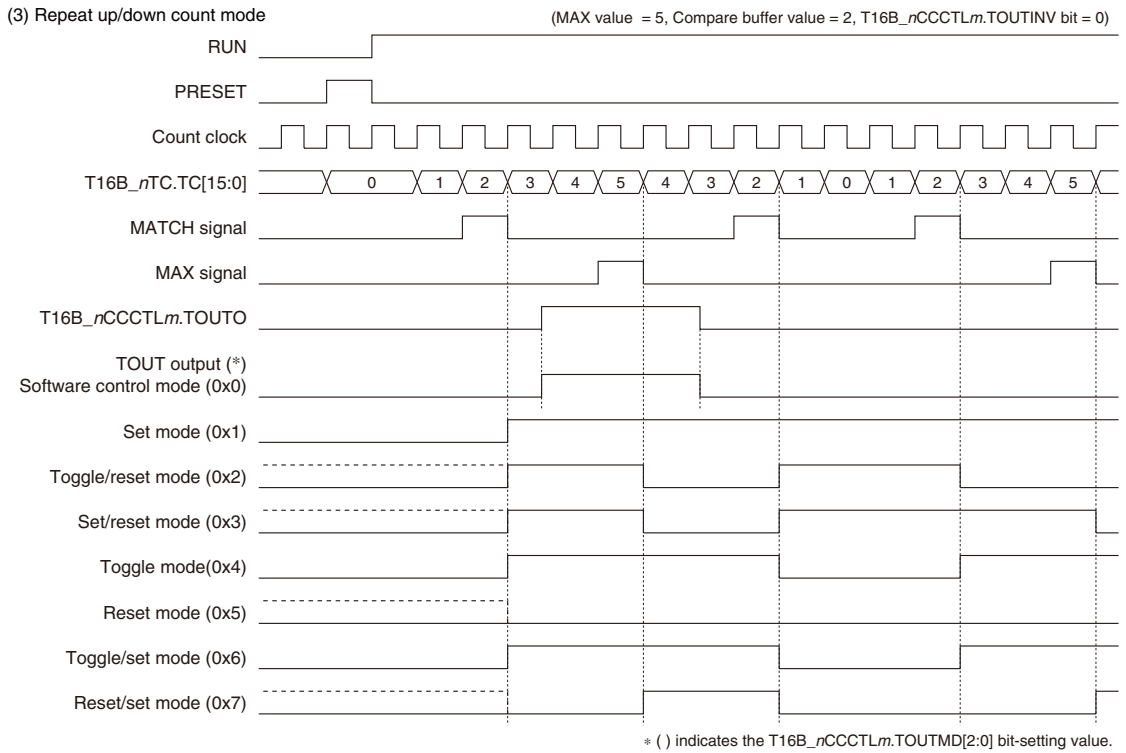
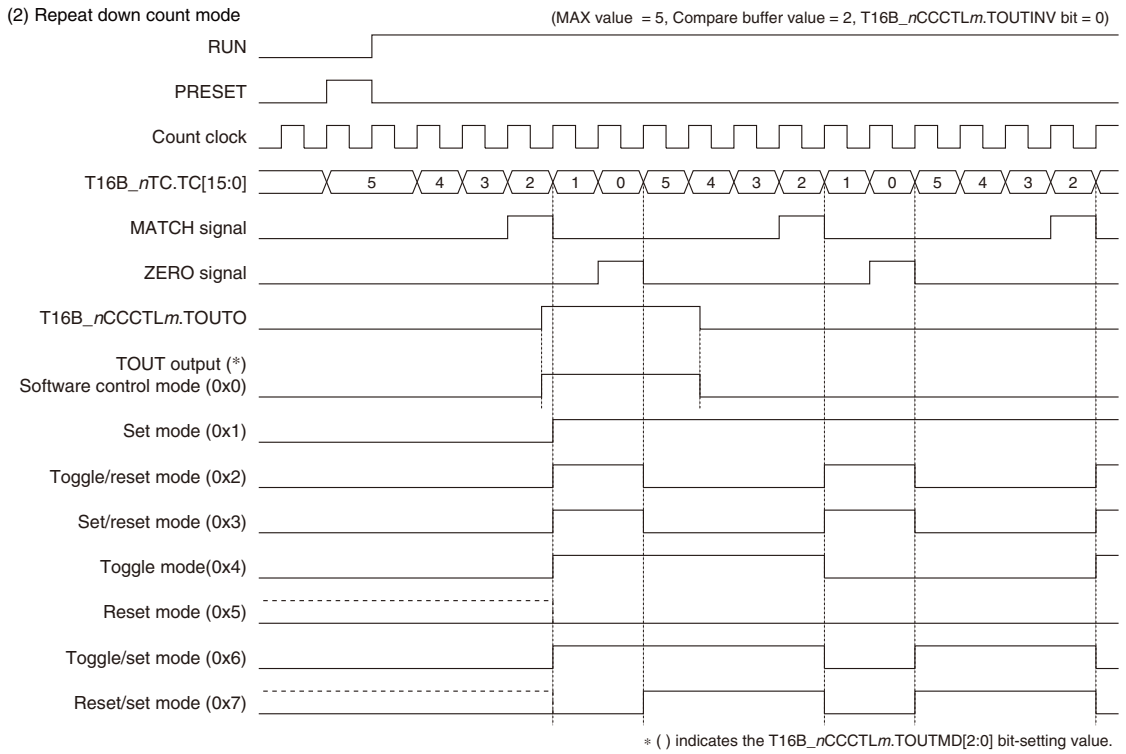
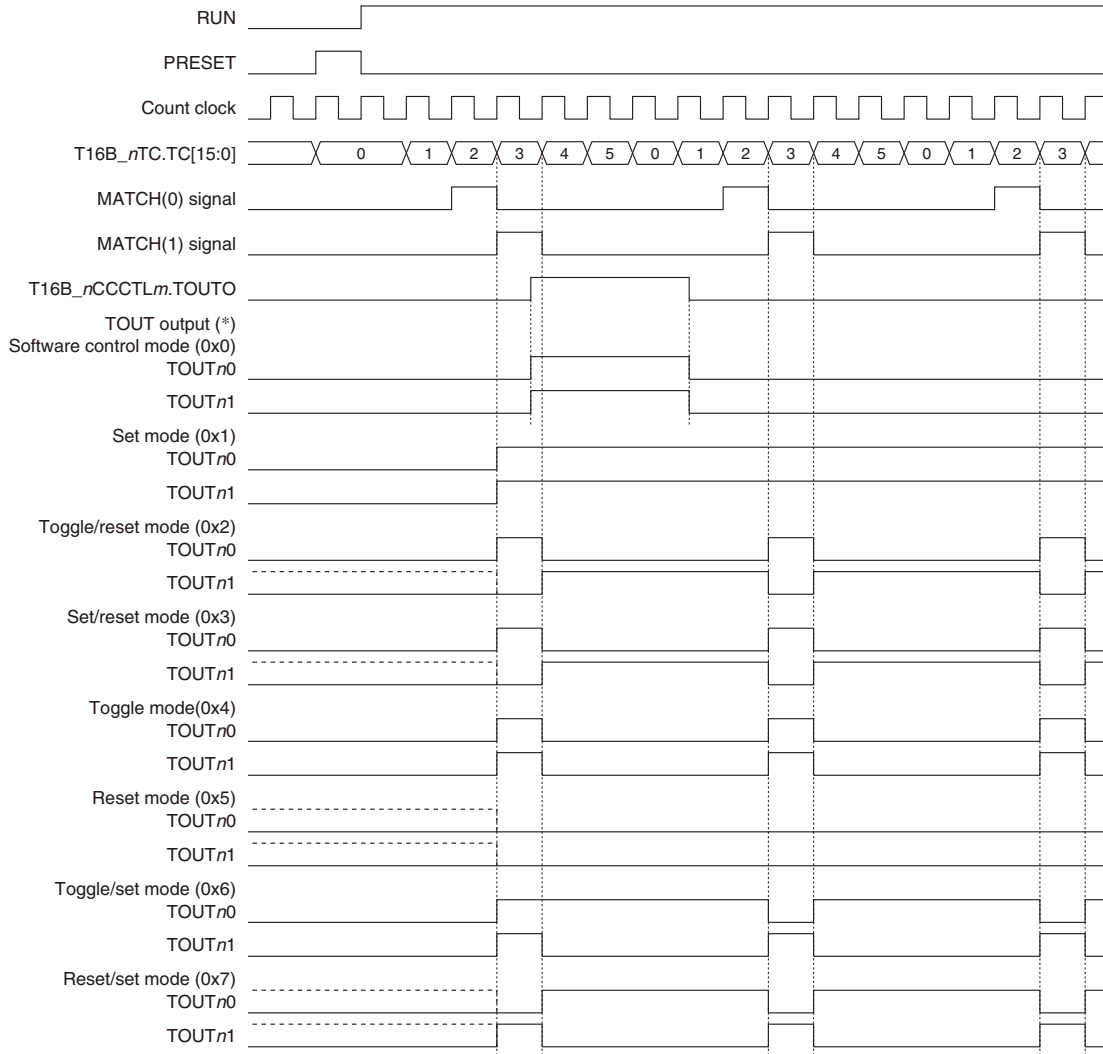


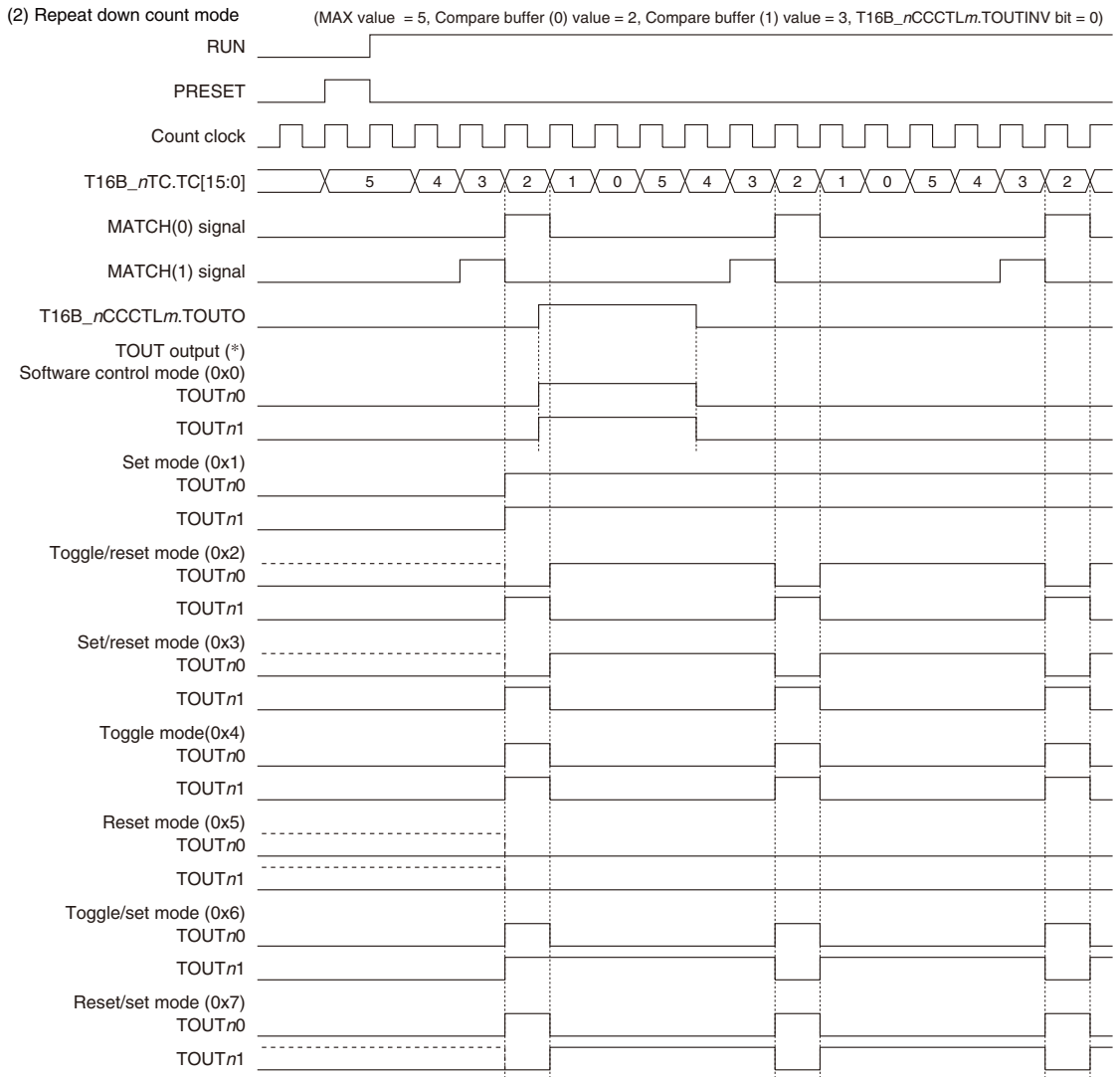
Figure 17.4.4.2 TOUT Output Waveform (T16B_nCCCTLm.TOUTMT bit = 0)

17 16-BIT PWM TIMERS (T16B)

(1) Repeat up count mode (MAX value = 5, Compare buffer (0) value = 2, Compare buffer (1) value = 3, T16B_nCCCTLm.TOUTINV bit = 0)



* () indicates the T16B_nCCCTLm.TOUTMD[2:0] bit-setting value.



* () indicates the T16B_nCCCTLm.TOUTMD[2:0] bit-setting value.

17 16-BIT PWM TIMERS (T16B)

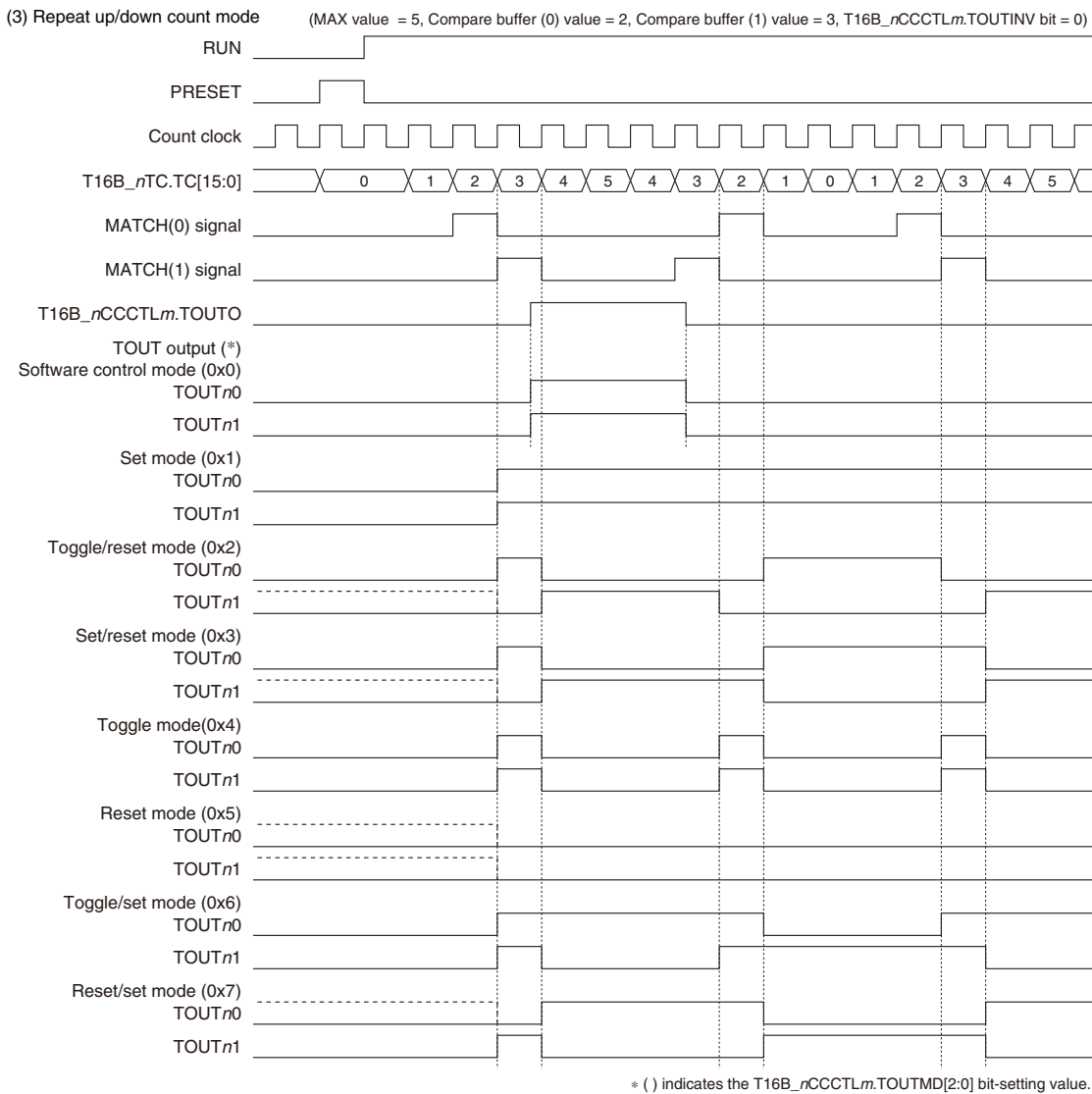


Figure 17.4.4.3 TOUT Output Waveform (T16B_nCCCTL0.TOUTMT bit = 1, T16B_nCCCTL1.TOUTMT bit = 0)

17.5 Interrupt

Each T16B channel has a function to generate the interrupt shown in Table 17.5.1.

Table 17.5.1 T16B Interrupt Function

Interrupt	Interrupt flag	Set condition	Clear condition
Capture overwrite	T16B_nINTF.CAPOWmIF	When the T16B_nINTF.CMPCAPmIF bit =1 and the T16B_n CCRm register is overwritten with new captured data in capture mode	Writing 1
Compare/capture	T16B_nINTF.CMPCAPmIF	When the counter value becomes equal to the compare buffer value in comparator mode When the counter value is loaded to the T16B_nCCRM register by a capture trigger input in capture mode	Writing 1
Counter MAX	T16B_nINTF.CNTMAXIF	When the counter reaches the MAX value	Writing 1
Counter zero	T16B_nINTF.CNTZEROIF	When the counter reaches 0x0000	Writing 1

T16B provides interrupt enable bits corresponding to each interrupt flag. An interrupt request is sent to the CPU core only when the interrupt flag, of which interrupt has been enabled by the interrupt enable bit, is set. For more information on interrupt control, refer to the “Interrupt” chapter.

17.6 DMA Transfer Requests

The T16B has a function to generate DMA transfer requests from the causes shown in Table 17.6.1.

Table 17.6.1 DMA Transfer Request Causes of T16B

Cause to request DMA transfer	DMA transfer request flag	Set condition	Clear condition
Compare/capture	Compare/capture flag (T16B_nINTF.CMPCAPmIF)	When the counter value becomes equal to the compare buffer value in comparator mode When the counter value is loaded to the T16B_nCCRM register by a capture trigger input in capture mode	When the DMA transfer request is accepted
Counter MAX/zero	Counter MAX flag (T16B_nINTF.CNTMAXIF) Counter zero flag (T16B_nINTF.CNTZEROIF)	When the counter reaches the MAX value in up or up/down count mode When the counter reaches 0x0000 in down count mode	When the DMA transfer request is accepted

The T16B provides DMA transfer request enable bits corresponding to each DMA transfer request flag shown above for the number of DMA channels. A DMA transfer request is sent to the pertinent channel of the DMA controller only when the DMA transfer request flag, of which DMA transfer has been enabled by the DMA transfer request enable bit, is set. The DMA transfer request flag also serves as an interrupt flag, therefore, both the DMA transfer request and the interrupt cannot be enabled at the same time. After a DMA transfer has completed, disable the DMA transfer to prevent unintended DMA transfer requests from being issued. For more information on the DMA control, refer to the “DMA Controller” chapter.

17.7 Control Registers

T16B Ch.n Clock Control Register

Register name	Bit	Bit name	Initial	Reset	R/W	Remarks
T16B_nCLK	15–9	–	0x00	–	R	–
	8	DBRUN	0	H0	R/W	
	7–4	CLKDIV[3:0]	0x0	H0	R/W	
	3	–	0	–	R	
	2–0	CLKSRC[2:0]	0x0	H0	R/W	

Bits 15–9 Reserved

Bit 8 DBRUN

This bit sets whether the T16B Ch.n operating clock is supplied during debugging or not.

1 (R/W): Clock supplied during debugging

0 (R/W): No clock supplied during debugging

17 16-BIT PWM TIMERS (T16B)

Bits 7–4 CLKDIV[3:0]

These bits select the division ratio of the T16B Ch.*n* operating clock (counter clock).

Bit 3 Reserved

Bits 2–0 CLKSRC[2:0]

These bits select the clock source of T16B Ch.*n*.

Table 17.7.1 Clock Source and Division Ratio Settings

T16B_ <i>n</i> CLK. CLKDIV[3:0] bits	T16B_ <i>n</i> CLK.CLKSRC[2:0] bits							
	0x0	0x1	0x2	0x3	0x4	0x5	0x6	0x7
	IOSC	OSC1	OSC3	EXOSC	EXCL _{<i>n</i>0}	EXCL _{<i>n</i>1}	EXCL _{<i>n</i>0} inverted input	EXCL _{<i>n</i>1} inverted input
0xf	1/32,768	1/1	1/32,768	1/1	1/1	1/1	1/1	1/1
0xe	1/16,384		1/16,384					
0xd	1/8,192		1/8,192					
0xc	1/4,096		1/4,096					
0xb	1/2,048		1/2,048					
0xa	1/1,024		1/1,024					
0x9	1/512	1/256	1/512	1/256	1/256	1/256	1/256	1/256
0x8	1/256		1/256					
0x7	1/128		1/128					
0x6	1/64		1/64					
0x5	1/32		1/32					
0x4	1/16		1/16					
0x3	1/8		1/8					
0x2	1/4		1/4					
0x1	1/2		1/2					
0x0	1/1		1/1					

(Note) The oscillator circuits/external inputs that are not supported in this IC cannot be selected as the clock source.

T16B Ch.*n* Counter Control Register

Register name	Bit	Bit name	Initial	Reset	R/W	Remarks
T16B_ <i>n</i> CTL	15–9	–	0x00	–	R	–
	8	MAXBSY	0	H0	R	
	7–6	–	0x0	–	R	
	5–4	CNTMD[1:0]	0x0	H0	R/W	
	3	ONEST	0	H0	R/W	
	2	RUN	0	H0	R/W	
	1	PRESET	0	H0	R/W	
	0	MODEN	0	H0	R/W	

Bits 15–9 Reserved

Bit 8 MAXBSY

This bit indicates whether data can be written to the T16B_*n*MC register or not.

1 (R): Busy status (cannot be written)

0 (R): Idle (can be written)

While this bit is 1, the T16B_*n*MC register is loading the MAX value. Data writing is prohibited during this period.

Bits 7–6 Reserved

Bits 5–4 CNTMD[1:0]

These bits select the counter up/down mode. The count mode is configured with this selection and the T16B_*n*CTL.ONEST bit setting (see Table 17.7.2).

Bit 3 ONEST

This bit selects the counter repeat/one-shot mode. The count mode is configured with this selection and the T16B_*n*CTL.CNTMD[1:0] bit settings (see Table 17.7.2).

Table 17.7.2 Count Mode

T16B_nCTL.CNTMD[1:0] bits	Count mode	
	T16B_nCTL.ONEST bit = 1	T16B_nCTL.ONEST bit = 0
0x3	Reserved	
0x2	One-shot up/down count mode	Repeat up/down count mode
0x1	One-shot down count mode	Repeat down count mode
0x0	One-shot up count mode	Repeat up count mode

Bit 2 RUN

This bit starts/stops counting.

- 1 (W): Start counting
- 0 (W): Stop counting
- 1 (R): Counting
- 0 (R): Idle

By writing 1 to this bit, the counter block starts count operations. However, the T16B_nCTL.MODEN bit must be set to 1 in conjunction with this bit or it must be set in advance. While the timer is running, writing 0 to the T16B_nCTL.RUN bit stops count operations. When the counter stops by the counter MAX/ZERO signal in one-shot mode, this bit is automatically cleared to 0.

Bit 1 PRESET

This bit resets the counter.

- 1 (W): Reset
- 0 (W): Ineffective
- 1 (R): Resetting in progress
- 0 (R): Resetting finished or normal operation

In up mode or up/down mode, the counter is cleared to 0x0000 by writing 1 to this bit. In down mode, the MAX value, which has been set to the T16B_nMC register, is preset to the counter. However, the T16B_nCTL.MODEN bit must be set to 1 in conjunction with this bit or it must be set in advance.

Bit 0 MODEN

This bit enables the T16B Ch.n operations.

- 1 (R/W): Enable (Start supplying operating clock)
- 0 (R/W): Disable (Stop supplying operating clock)

Note: The counter reset operation using the T16B_nCTL.PRESET bit and the counting start operation using the T16B_nCTL.RUN bit take effect only when the T16B_nCTL.MODEN bit = 1.

T16B Ch.n Max Counter Data Register

Register name	Bit	Bit name	Initial	Reset	R/W	Remarks
T16B_nMC	15-0	MC[15:0]	0xffff	H0	R/W	-

Bits 15-0 MC[15:0]

These bits are used to set the MAX value to preset to the counter. For more information, refer to "Counter Block Operations - MAX counter data register."

- Notes:**
- When one-shot mode is selected, do not alter the T16B_nMC.MC[15:0] bits (MAX value) during counting.
 - Make sure the T16B_nCTL.MODEN bit is set to 1 before writing data to the T16B_nMC.MC[15:0] bits. If the T16B_nCTL.MODEN bit = 0 when writing to the T16B_nMC.MC[15:0] bits, set the T16B_nCTL.MODEN bit to 1 until the T16B_nCS.BSY bit is set to 0 from 1.
 - Do not set the T16B_nMC.MC[15:0] bits to 0x0000.

T16B Ch.n Timer Counter Data Register

Register name	Bit	Bit name	Initial	Reset	R/W	Remarks
T16B_nTC	15-0	TC[15:0]	0x0000	H0	R	-

Bits 15–0 TC[15:0]

The current counter value can be read out through these bits.

T16B Ch.n Counter Status Register

Register name	Bit	Bit name	Initial	Reset	R/W	Remarks
T16B_nCS	15–8	–	0x00	–	R	–
	7	CAP15	0	H0	R	
	6	CAP14	0	H0	R	
	5	CAP13	0	H0	R	
	4	CAP12	0	H0	R	
	3	CAP11	0	H0	R	
	2	CAP10	0	H0	R	
	1	UP_DOWN	1	H0	R	
	0	BSY	0	H0	R	

Bits 15–8 Reserved**Bit 7 CAP15****Bit 6 CAP14****Bit 5 CAP13****Bit 4 CAP12****Bit 3 CAP11****Bit 2 CAP10**

These bits indicate the signal level currently input to the CAP n m pin.

1 (R): Input signal = High level

0 (R): Input signal = Low level

The following shows the correspondence between the bit and the CAP n m pin:

T16B_nCS.CAP15 bit: CAP n 5 pin

T16B_nCS.CAP14 bit: CAP n 4 pin

T16B_nCS.CAP13 bit: CAP n 3 pin

T16B_nCS.CAP12 bit: CAP n 2 pin

T16B_nCS.CAP11 bit: CAP n 1 pin

T16B_nCS.CAP10 bit: CAP n 0 pin

Note: The configuration of the T16B_nCS.CAP l m bits depends on the model. The bits corresponding to the CAP n m pins that do not exist are read-only bits and are always fixed at 0.

Bit 1 UP_DOWN

This bit indicates the currently set count direction.

1 (R): Count up

0 (R): Count down

Bit 0 BSY

This bit indicates the counter operating status.

1 (R): Running

0 (R): Idle

T16B Ch.*n* Interrupt Flag Register

Register name	Bit	Bit name	Initial	Reset	R/W	Remarks
T16B_ <i>n</i> INTF	15–14	–	0x0	–	R	–
	13	CAPOW5IF	0	H0	R/W	Cleared by writing 1.
	12	CMPCAP5IF	0	H0	R/W	
	11	CAPOW4IF	0	H0	R/W	
	10	CMPCAP4IF	0	H0	R/W	
	9	CAPOW3IF	0	H0	R/W	
	8	CMPCAP3IF	0	H0	R/W	
	7	CAPOW2IF	0	H0	R/W	
	6	CMPCAP2IF	0	H0	R/W	
	5	CAPOW1IF	0	H0	R/W	
	4	CMPCAP1IF	0	H0	R/W	
	3	CAPOW0IF	0	H0	R/W	
	2	CMPCAP0IF	0	H0	R/W	
1	CNTMAXIF	0	H0	R/W		
0	CNTZEROIF	0	H0	R/W		

Bits 15–14 Reserved

Bit 13	CAPOW5IF
Bit 12	CMPCAP5IF
Bit 11	CAPOW4IF
Bit 10	CMPCAP4IF
Bit 9	CAPOW3IF
Bit 8	CMPCAP3IF
Bit 7	CAPOW2IF
Bit 6	CMPCAP2IF
Bit 5	CAPOW1IF
Bit 4	CMPCAP1IF
Bit 3	CAPOW0IF
Bit 2	CMPCAP0IF
Bit 1	CNTMAXIF
Bit 0	CNTZEROIF

These bits indicate the T16B Ch.*n* interrupt cause occurrence status.

- 1 (R): Cause of interrupt occurred
- 0 (R): No cause of interrupt occurred
- 1 (W): Clear flag
- 0 (W): Ineffective

The following shows the correspondence between the bit and interrupt:

- T16B_*n*INTF.CAPOW5IF bit: Capture 5 overwrite interrupt
- T16B_*n*INTF.CMPCAP5IF bit: Compare/capture 5 interrupt
- T16B_*n*INTF.CAPOW4IF bit: Capture 4 overwrite interrupt
- T16B_*n*INTF.CMPCAP4IF bit: Compare/capture 4 interrupt
- T16B_*n*INTF.CAPOW3IF bit: Capture 3 overwrite interrupt
- T16B_*n*INTF.CMPCAP3IF bit: Compare/capture 3 interrupt
- T16B_*n*INTF.CAPOW2IF bit: Capture 2 overwrite interrupt
- T16B_*n*INTF.CMPCAP2IF bit: Compare/capture 2 interrupt
- T16B_*n*INTF.CAPOW1IF bit: Capture 1 overwrite interrupt
- T16B_*n*INTF.CMPCAP1IF bit: Compare/capture 1 interrupt
- T16B_*n*INTF.CAPOW0IF bit: Capture 0 overwrite interrupt
- T16B_*n*INTF.CMPCAP0IF bit: Compare/capture 0 interrupt
- T16B_*n*INTF.CNTMAXIF bit: Counter MAX interrupt
- T16B_*n*INTF.CNTZEROIF bit: Counter zero interrupt

Note: The configuration of the T16B_*n*INTF.CAPOW*m*IF and T16B_*n*INTF.CMPCAP*m*IF bits depends on the model. The bits corresponding to the comparator/capture circuits that do not exist are read-only bits and are always fixed at 0.

T16B Ch.n Interrupt Enable Register

Register name	Bit	Bit name	Initial	Reset	R/W	Remarks
T16B_nINTE	15–14	–	0x0	–	R	–
	13	CAPOW5IE	0	H0	R/W	
	12	CMPCAP5IE	0	H0	R/W	
	11	CAPOW4IE	0	H0	R/W	
	10	CMPCAP4IE	0	H0	R/W	
	9	CAPOW3IE	0	H0	R/W	
	8	CMPCAP3IE	0	H0	R/W	
	7	CAPOW2IE	0	H0	R/W	
	6	CMPCAP2IE	0	H0	R/W	
	5	CAPOW1IE	0	H0	R/W	
	4	CMPCAP1IE	0	H0	R/W	
	3	CAPOW0IE	0	H0	R/W	
	2	CMPCAP0IE	0	H0	R/W	
	1	CNTMAXIE	0	H0	R/W	
0	CNTZEROIE	0	H0	R/W		

Bits 15–14 Reserved

Bit 13	CAPOW5IE
Bit 12	CMPCAP5IE
Bit 11	CAPOW4IE
Bit 10	CMPCAP4IE
Bit 9	CAPOW3IE
Bit 8	CMPCAP3IE
Bit 7	CAPOW2IE
Bit 6	CMPCAP2IE
Bit 5	CAPOW1IE
Bit 4	CMPCAP1IE
Bit 3	CAPOW0IE
Bit 2	CMPCAP0IE
Bit 1	CNTMAXIE
Bit 0	CNTZEROIE

These bits enable T16B Ch.n interrupts.

1 (R/W): Enable interrupts

0 (R/W): Disable interrupts

The following shows the correspondence between the bit and interrupt:

T16B_nINTE.CAPOW5IE bit: Capture 5 overwrite interrupt

T16B_nINTE.CMPCAP5IE bit: Compare/capture 5 interrupt

T16B_nINTE.CAPOW4IE bit: Capture 4 overwrite interrupt

T16B_nINTE.CMPCAP4IE bit: Compare/capture 4 interrupt

T16B_nINTE.CAPOW3IE bit: Capture 3 overwrite interrupt

T16B_nINTE.CMPCAP3IE bit: Compare/capture 3 interrupt

T16B_nINTE.CAPOW2IE bit: Capture 2 overwrite interrupt

T16B_nINTE.CMPCAP2IE bit: Compare/capture 2 interrupt

T16B_nINTE.CAPOW1IE bit: Capture 1 overwrite interrupt

T16B_nINTE.CMPCAP1IE bit: Compare/capture 1 interrupt

T16B_nINTE.CAPOW0IE bit: Capture 0 overwrite interrupt

T16B_nINTE.CMPCAP0IE bit: Compare/capture 0 interrupt

T16B_nINTE.CNTMAXIE bit: Counter MAX interrupt

T16B_nINTE.CNTZEROIE bit: Counter zero interrupt

- Notes:**
- The configuration of the T16B_nINTE.CAPOW m IE and T16B_nINTE.CMPCAP m IE bits depends on the model. The bits corresponding to the comparator/capture circuits that do not exist are read-only bits and are always fixed at 0.
 - To prevent generating unnecessary interrupts, the corresponding interrupt flag should be cleared before enabling interrupts.

T16B Ch.*n* Comparator/Capture *m* Control Register

Register name	Bit	Bit name	Initial	Reset	R/W	Remarks
T16B_ <i>n</i> CCCTL <i>m</i>	15	SCS	0	H0	R/W	–
	14–12	CBUFMD[2:0]	0x0	H0	R/W	
	11–10	CAPIS[1:0]	0x0	H0	R/W	
	9–8	CAPTRG[1:0]	0x0	H0	R/W	
	7	–	0	–	R	
	6	TOUTMT	0	H0	R/W	
	5	TOUTO	0	H0	R/W	
	4–2	TOUTMD[2:0]	0x0	H0	R/W	
	1	TOUTINV	0	H0	R/W	
	0	CCMD	0	H0	R/W	

Bit 15 SCS

This bit selects either synchronous capture mode or asynchronous capture mode.

1 (R/W): Synchronous capture mode

0 (R/W): Asynchronous capture mode

For more information, refer to “Comparator/Capture Block Operations - Synchronous capture mode/ asynchronous capture mode.” The T16B_*n*CCCTL*m*.SCS bit is control bit for capture mode and is ineffective in comparator mode.

Bits 14–12 CBUFMD[2:0]

These bits select the timing to load the comparison value written in the T16B_*n*CCCR*m* register to the compare buffer. The T16B_*n*CCCTL*m*.CBUFMD[2:0] bits are control bits for comparator mode and are ineffective in capture mode.

Table 17.7.3 Timings to Load Comparison Value to Compare Buffer

T16B_ <i>n</i> CCCTL <i>m</i> . CBUFMD[2:0] bits	Count mode	Comparison Value load timing
0x7–0x5		Reserved
0x4	Up mode	When the counter becomes equal to the comparison value set previously Also the counter is reset to 0x0000 simultaneously.
	Down mode	When the counter becomes equal to the comparison value set previously Also the counter is reset to the MAX value simultaneously.
	Up/down mode	When the counter becomes equal to the comparison value set previously Also the counter is reset to 0x0000 simultaneously.
0x3	Up mode	When the counter reverts to 0x0000
	Down mode	When the counter reverts to the MAX value
	Up/down mode	When the counter becomes equal to the comparison value set previously or when the counter reverts to 0x0000
0x2	Up mode	When the counter becomes equal to the comparison value set previously
	Down mode	
	Up/down mode	
0x1	Up mode	When the counter reaches the MAX value
	Down mode	When the counter reaches 0x0000
	Up/down mode	When the counter reaches 0x0000 or the MAX value
0x0	Up mode	At the CLK_T16B <i>n</i> rising edge after writing to the T16B_ <i>n</i> CCCR <i>m</i> register
	Down mode	
	Up/down mode	

Bits 11–10 CAPIS[1:0]

These bits select the trigger signal for capturing (see Table 17.7.4). The T16B_*n*CCCTL*m*.CAPIS[1:0] bits are control bits for capture mode and are ineffective in comparator mode.

Bits 9–8 CAPTRG[1:0]

These bits select the trigger edge(s) of the trigger signal at which the counter value is captured in the T16B_*n*CCCR*m* register in capture mode (see Table 17.7.4). The T16B_*n*CCCTL*m*.CAPTRG[1:0] bits are control bits for capture mode and are ineffective in comparator mode.

Table 17.7.4 Trigger Signal/Edge for Capturing Counter Value

T16B_nCCCTLm. CAPTRG[1:0] bits (Trigger edge)	Trigger condition	
	T16B_nCCCTLm.CAPIS[1:0] bits (Trigger signal)	
	0x0 (External trigger signal)	0x2 (Software trigger signal = L) 0x3 (Software trigger signal = H)
0x3 (↑ & ↓)	Rising or falling edge of the CAPnm pin input signal	Altering the T16B_nCCCTLm.CAPIS[1:0] bits from 0x2 to 0x3, or from 0x3 to 0x2
0x2 (↓)	Falling edge of the CAPnm pin input signal	Altering the T16B_nCCCTLm.CAPIS[1:0] bits from 0x3 to 0x2
0x1 (↑)	Rising edge of the CAPnm pin input signal	Altering the T16B_nCCCTLm.CAPIS[1:0] bits from 0x2 to 0x3
0x0	Not triggered (disable capture function)	

Bit 7 Reserved

Bit 6 TOUTMT

This bit selects whether the comparator MATCH signal of another system is used for generating the TOUTnm signal or not.

1 (R/W): Generate TOUT using two comparator MATCH signals of the comparator circuit pair (0 and 1, 2 and 3, 4 and 5)

0 (R/W): Generate TOUT using one comparator MATCH signal of comparator m and the counter MAX or ZERO signals

The T16B_nCCCTLm.TOUTMT bit is control bit for comparator mode and is ineffective in capture mode.

Bit 5 TOUTO

This bit sets the TOUTnm signal output level when software control mode (T16B_nCCCTLm.TOUTMD[2:0] = 0x0) is selected for the TOUTnm output.

1 (R/W): High level output

0 (R/W): Low level output

The T16B_nCCCTLm.TOUTO bit is control bit for comparator mode and is ineffective in capture mode.

Bits 4–2 TOUTMD[2:0]

These bits configure how the TOUTnm signal waveform is changed by the comparator MATCH and counter MAX/ZERO signals.

The T16B_nCCCTLm.TOUTMD[2:0] bits are control bits for comparator mode and are ineffective in capture mode.

Table 17.7.5 TOUT Generation Mode

T16B_nCCCTLm. TOUTMD[2:0] bits	TOUT generation mode and operations			
	T16B_nCCCTLm. TOUTMT bit	Count mode	Output signal	Change in the signal
0x7	Reset/set mode			
	0	Up count mode	TOUTnm	The signal becomes inactive by the MATCH signal and it becomes active by the MAX signal.
		Up/down count mode	TOUTnm	The signal becomes inactive by the MATCH signal and it becomes active by the ZERO signal.
	1	All count modes	TOUTnm	The signal becomes inactive by the MATCHm signal and it becomes active by the MATCHm+1 signal.
TOUTnm+1			The signal becomes inactive by the MATCHm+1 signal and it becomes active by the MATCHm signal.	
0x6	Toggle/set mode			
	0	Up count mode	TOUTnm	The signal is inverted by the MATCH signal and it becomes active by the MAX signal.
		Up/down count mode	TOUTnm	The signal is inverted by the MATCH signal and it becomes active by the ZERO signal.
	1	All count modes	TOUTnm	The signal is inverted by the MATCHm signal and it becomes active by the MATCHm+1 signal.
TOUTnm+1			The signal is inverted by the MATCHm+1 signal and it becomes active by the MATCHm signal.	
0x5	Reset mode			
	0	All count modes	TOUTnm	The signal becomes inactive by the MATCH signal.
	1	All count modes	TOUTnm	The signal becomes inactive by the MATCHm or MATCHm+1 signal.
TOUTnm+1			The signal becomes inactive by the MATCHm+1 or MATCHm signal.	

T16B_nCCCTLm. TOUTMD[2:0] bits	TOUT generation mode and operations			
	T16B_nCCCTLm. TOUTMT bit	Count mode	Output signal	Change in the signal
0x4	Toggle mode			
	0	All count modes	TOUT nm	The signal is inverted by the MATCH signal.
	1	All count modes	TOUT nm	The signal is inverted by the MATCH m or MATCH $m+1$ signal.
TOUT $nm+1$			The signal is inverted by the MATCH $m+1$ or MATCH m signal.	
0x3	Set/reset mode			
	0	Up count mode	TOUT nm	The signal becomes active by the MATCH signal and it becomes inactive by the MAX signal.
		Up/down count mode		
	1	Down count mode	TOUT nm	The signal becomes active by the MATCH signal and it becomes inactive by the ZERO signal.
		All count modes	TOUT nm	The signal becomes active by the MATCH m signal and it becomes inactive by the MATCH $m+1$ signal.
TOUT $nm+1$			The signal becomes active by the MATCH $m+1$ signal and it becomes inactive by the MATCH m signal.	
0x2	Toggle/reset mode			
	0	Up count mode	TOUT nm	The signal is inverted by the MATCH signal and it becomes inactive by the MAX signal.
		Up/down count mode		
	1	Down count mode	TOUT nm	The signal is inverted by the MATCH signal and it becomes inactive by the ZERO signal.
		All count modes	TOUT nm	The signal is inverted by the MATCH m signal and it becomes inactive by the MATCH $m+1$ signal.
TOUT $nm+1$			The signal is inverted by the MATCH $m+1$ signal and it becomes inactive by the MATCH m signal.	
0x1	Set mode			
	0	All count modes	TOUT nm	The signal becomes active by the MATCH signal.
	1	All count modes	TOUT nm	The signal becomes active by the MATCH m or MATCH $m+1$ signal.
TOUT $nm+1$			The signal becomes active by the MATCH $m+1$ or MATCH m signal.	
0x0	Software control mode			
	*	All count modes	TOUT nm	The signal becomes active by setting the T16B_nCCCTLm.TOUTO bit to 1 and it becomes inactive by setting to 0.

Bit 1 TOUTINV

This bit selects the TOUT nm signal polarity.

1 (R/W): Inverted (active low)

0 (R/W): Normal (active high)

The T16B_nCCCTLm.TOUTINV bit is control bit for comparator mode and is ineffective in capture mode.

Bit 0 CCMD

This bit selects the operating mode of the comparator/capture circuit m .

1 (R/W): Capture mode (T16B_nCCRM register = capture register)

0 (R/W): Comparator mode (T16B_nCCRM register = compare data register)

T16B Ch.n Compare/Capture m Data Register

Register name	Bit	Bit name	Initial	Reset	R/W	Remarks
T16B_nCCRM	15–0	CC[15:0]	0x0000	H0	R/W	–

Bits 15–0 CC[15:0]

In comparator mode, this register is configured as the compare data register and used to set the comparison value to be compared with the counter value.

In capture mode, this register is configured as the capture register and the counter value captured by the capture trigger signal is loaded.

T16B Ch.n Counter Max/Zero DMA Request Enable Register

Register name	Bit	Bit name	Initial	Reset	R/W	Remarks
T16B_nMZDMAEN	15-0	MZDMAEN[15:0]	0x0000	H0	R/W	–

Bits 15-0 MZDMAEN[15:0]

These bits enable T16B to issue a DMA transfer request to the corresponding DMA controller channel (Ch.0–Ch.15) when the counter value reaches the MAX value or 0x0000.

1 (R/W): Enable DMA transfer request

0 (R/W): Disable DMA transfer request

Each bit corresponds to a DMA controller channel. The high-order bits for the unimplemented channels are ineffective.

T16B Ch.n Compare/Capture m DMA Request Enable Register

Register name	Bit	Bit name	Initial	Reset	R/W	Remarks
T16B_nCCmDMAEN	15-0	CCmDMAEN[15:0]	0x0000	H0	R/W	–

Bits 15-0 CCmDMAEN[15:0]

These bits enable T16B to issue a DMA transfer request to the corresponding DMA controller channel (Ch.0–Ch.15) when the counter value reaches the compare data or is captured.

1 (R/W): Enable DMA transfer request

0 (R/W): Disable DMA transfer request

Each bit corresponds to a DMA controller channel. The high-order bits for the unimplemented channels are ineffective.

18 Sound Generator (SNDA)

18.1 Overview

SNDA is a sound generator that generates melodies and buzzer signals. The features of the SNDA are listed below.

- Sound output mode is selectable from three types.
 1. Normal buzzer mode (for normal buzzer output of which the output duration is controlled via software)
 - Output frequency: Can be set within the range of 512 Hz to 16,384 Hz.
 - Duty ratio: Can be set within the range of 0 % to 100 %.
 2. One-shot buzzer mode (for short buzzer output such as a clicking sound)
 - Output frequency: Can be set within the range of 512 Hz to 16,384 Hz.
 - Duty ratio: Can be set within the range of 0 % to 100 %.
 - One-shot output duration: Can be set within the range of 15.6 ms to 250 ms. (16 types)
 3. Melody mode (for playing single note melody)
 - Pitch: Can be set within the range of 128 Hz to 16,384 Hz.
(Scale: 3 octave from C3 to C6 with reference to A4 = 443 Hz)
 - Duration: Can be set within the range of half note/rest to thirty-second note/rest. (7 types)
 - Tempo: Can be set within the range of 30 to 480. (16 types)
 - Other: Tie and slur can be specified.
- A piezoelectric buzzer can be driven with the inverted and non-inverted output pins.
- Can control the non-inverted output pin status while sound stops.

Figure 18.1.1 shows the SNDA configuration.

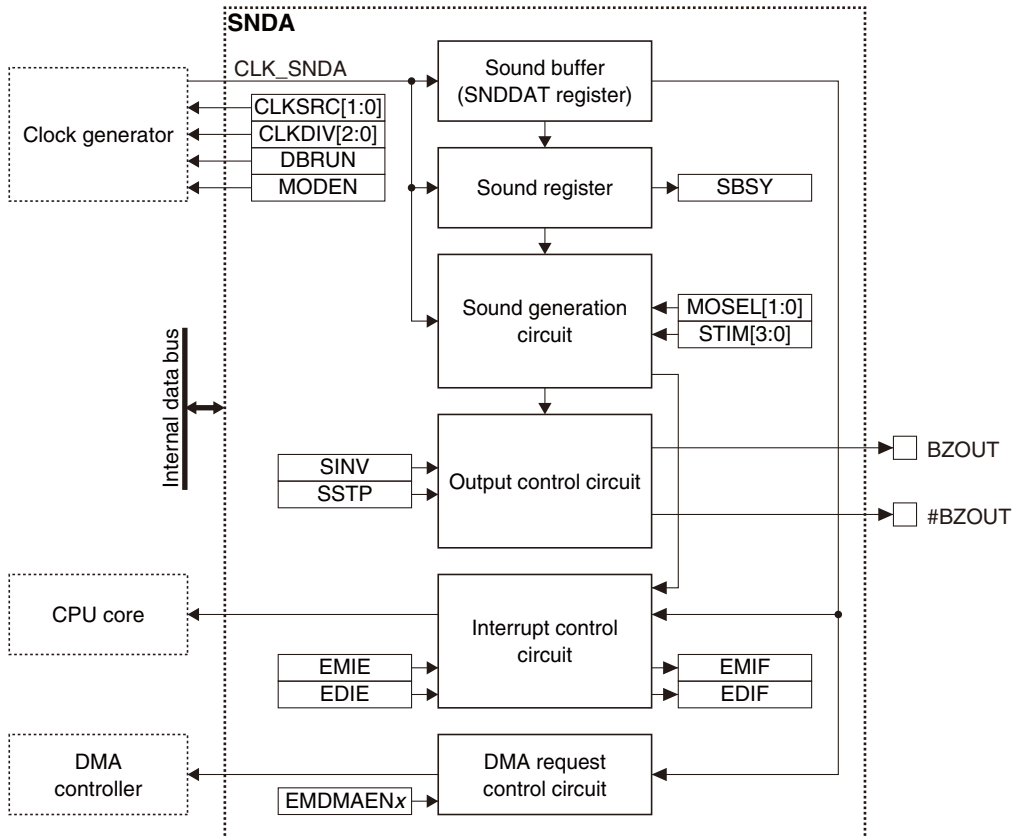


Figure 18.1.1 SNDA Configuration

18.2 Output Pins and External Connections

18.2.1 List of Output Pins

Table 18.2.1.1 lists the SNDA pins.

Table 18.2.1.1 List of SNDA Pins

Pin name	I/O*	Initial status*	Function
BZOUT	O	O (Low)	Non-inverted buzzer output pin
#BZOUT	O	O (Low)	Inverted buzzer output pin

* Indicates the status when the pin is configured for SNDA

If the port is shared with the SNDA pin and other functions, the SNDA output function must be assigned to the port before activating the SNDA. For more information, refer to the “I/O Ports” chapter.

18.2.2 Output Pin Drive Mode

The drive mode of the BZOUT and #BZOUT pins can be set to one of the two types shown below using the SNDA-SEL.SINV bit.

Direct drive mode (SNDASEL.SINV bit = 0)

This mode drives both the BZOUT and #BZOUT pins to low while the buzzer signal output is off to prevent the piezoelectric buzzer from applying unnecessary bias.

Normal drive mode (SNDASEL.SINV bit = 1)

In this mode, the #BZOUT pin always outputs the inverted signal of the BZOUT pin even when the buzzer output is off.

18.2.3 External Connections

Figures 18.2.2.1 and 18.2.2.2 show connection diagrams between SNDA and a piezoelectric buzzer.

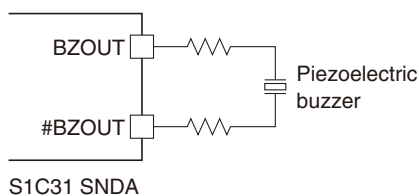


Figure 18.2.2.1 Connection between SNDA and Piezoelectric Buzzer (Direct Drive)

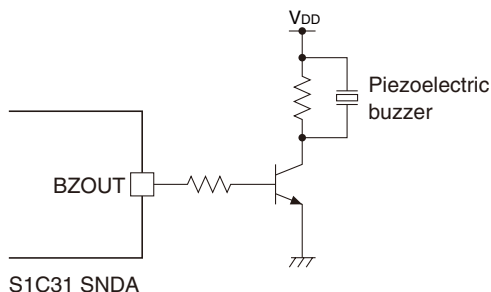


Figure 18.2.2.2 Connection between SNDA and Piezoelectric Buzzer (Single Pin Drive)

18.3 Clock Settings

18.3.1 SNDA Operating Clock

When using SNDA, the SNDA operating clock CLK_SNDA must be supplied to SNDA from the clock generator. The CLK_SNDA supply should be controlled as in the procedure shown below.

1. Enable the clock source in the clock generator if it is stopped (refer to “Clock Generator” in the “Power Supply, Reset, and Clocks” chapter).
2. Set the following SNDACLK register bits:
 - SNDACLK.CLKSRC[1:0] bits (Clock source selection)
 - SNDACLK.CLKDIV[2:0] bits (Clock division ratio selection = Clock frequency setting)

The CLK_SNDA frequency should be set to around 32,768 Hz.

18.3.2 Clock Supply in SLEEP Mode

When using SNDA during SLEEP mode, the SNDA operating clock CLK_SNDA must be configured so that it will keep supplying by writing 0 to the CLGOSC.xxxxSLPC bit for the CLK_SNDA clock source.

If the CLGOSC.xxxxSLPC bit for the CLK_SNDA clock source is 1, the CLK_SNDA clock source is deactivated during SLEEP mode and SNDA stops with the register settings maintained at those before entering SLEEP mode. After the CPU returns to normal mode, CLK_SNDA is supplied and the SNDA operation resumes.

18.3.3 Clock Supply in DEBUG Mode

The CLK_SNDA supply during DEBUG mode should be controlled using the SNDACLK.DBRUN bit.

The CLK_SNDA supply to SNDA is suspended when the CPU enters DEBUG mode if the SNDACLK.DBRUN bit = 0. After the CPU returns to normal mode, the CLK_SNDA supply resumes. Although SNDA stops operating when the CLK_SNDA supply is suspended, the output pin and registers retain the status before DEBUG mode was entered. If the SNDACLK.DBRUN bit = 1, the CLK_SNDA supply is not suspended and SNDA will keep operating in DEBUG mode.

18.4 Operations

18.4.1 Initialization

SNDA should be initialized with the procedure shown below.

1. Assign the SNDA output function to the ports. (Refer to the “I/O Ports” chapter.)
2. Configure the SNDA operating clock.
3. Set the SNDACTL.MODEN bit to 1. (Enable SNDA operations)
4. Set the following SNDASEL register bits:
 - Set the SNDASEL.SINV bit (Set output pin drive mode)
 - Set the SNDASEL.MOSEL[1:0] bits (Set sound output mode)
5. Set the following bits when using the interrupt:
 - Write 1 to the interrupt flags in the SNDAINTE register. (Clear interrupt flags)
 - Set the interrupt enable bits in the SNDAINTE register to 1. (Enable interrupts)
6. Configure the DMA controller and set the following SNDA control bits when using DMA transfer:
 - Write 1 to the DMA transfer request enable bits in the SNDAEMDMAEN register. (Enable DMA transfer requests)

18.4.2 Buzzer Output in Normal Buzzer Mode

Normal buzzer mode generates a buzzer signal with the software specified frequency and duty ratio, and outputs the generated signal to outside the IC. The buzzer output duration can also be controlled via software.

An output start/stop procedure and the SNDA operations are shown below.

Normal buzzer output start/stop procedure

1. Set the SNDASEL.MOSEL[1:0] bits to 0x0. (Set normal buzzer mode)
2. Write data to the following sound buffer (SNDADAT register) bits. (Start buzzer output)
 - SNDADAT.SLEN[5:0] bits (Set buzzer output signal duty ratio)
 - SNDADAT.SFRQ[7:0] bits (Set buzzer output signal frequency)
3. Write 1 to the SNDACTL.SSTP bit after the output period has elapsed. (Stop buzzer output)

Normal buzzer output operations

When data is written to the sound buffer (SNDADAT register), SNDA clears the SINDAINTF.EMIF bit (sound buffer empty interrupt flag) to 0 and starts buzzer output operations.

The data written to the sound buffer is loaded into the sound register in sync with the CLK_SNDA clock. At the same time, the SINDAINTF.EMIF bit and SINDAINTF.SBSY bit are both set to 1. The output pin outputs the buzzer signal with the frequency/duty ratio specified.

Writing 1 to the SNDACTL.SSTP bit stops buzzer output and sets the SINDAINTF.EDIF bit (sound output completion interrupt flag) to 1. The SINDAINTF.SBSY bit is cleared to 0.

Figure 18.4.2.1 shows a buzzer output timing chart in normal buzzer mode.

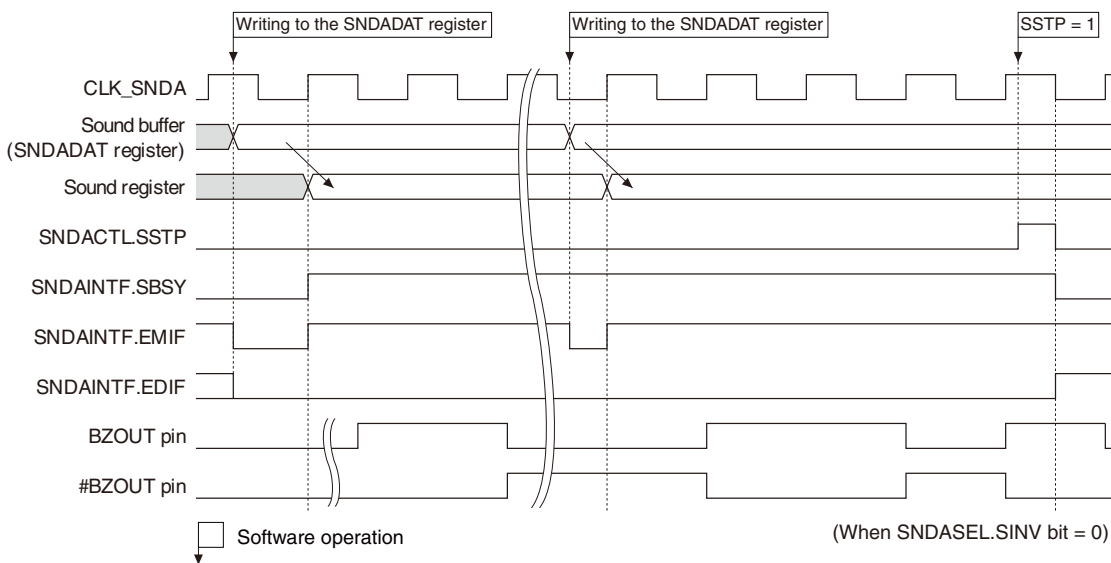


Figure 18.4.2.1 Buzzer Output Timing Chart in Normal Buzzer Mode

Buzzer output waveform configuration (normal buzzer mode/one-shot buzzer mode)

Set the buzzer signal frequency and duty ratio (high period/cycle) using the SNDADAT.SFRQ[7:0] and SNDADAT.SLEN[5:0] bits, respectively. Use the following equations to calculate these setting values.

$$\text{SNDADAT.SFRQ}[7:0] \text{ bits} = \frac{f_{\text{CLK_SNDA}}}{f_{\text{BZOUT}}} - 1 \quad (\text{Eq. 18.1})$$

$$\text{SNDADAT.SLEN}[5:0] \text{ bits} = \left(\frac{f_{\text{CLK_SNDA}}}{f_{\text{BZOUT}}} \times \frac{\text{DUTY}}{100} \right) - 1 \quad (\text{Eq. 18.2})$$

Where

- f_{CLK_SNDA}: CLK_SNDA frequency [Hz]
- f_{BZOUT}: Buzzer signal frequency [Hz]
- DUTY: Buzzer signal duty ratio [%]

However, the following settings are prohibited:

- Settings as SNDADAT.SFRQ[7:0] bits ≤ SNDADAT.SLEN[5:0] bits
- Settings as SNDADAT.SFRQ[7:0] bits = 0x00

Table 18.4.2.1 Buzzer Frequency Settings (when f_{CLK_SND A} = 32,768 Hz)

SNDADAT. SFRQ[7:0] bits	Frequency [Hz]	SNDADAT. SFRQ[7:0] bits	Frequency [Hz]	SNDADAT. SFRQ[7:0] bits	Frequency [Hz]	SNDADAT. SFRQ[7:0] bits	Frequency [Hz]
0x3f	512.0	0x2f	682.7	0x1f	1,024.0	0x0f	2,048.0
0x3e	520.1	0x2e	697.2	0x1e	1,057.0	0x0e	2,184.5
0x3d	528.5	0x2d	712.3	0x1d	1,092.3	0x0d	2,340.6
0x3c	537.2	0x2c	728.2	0x1c	1,129.9	0x0c	2,520.6
0x3b	546.1	0x2b	744.7	0x1b	1,170.3	0x0b	2,730.7
0x3a	555.4	0x2a	762.0	0x1a	1,213.6	0x0a	2,978.9
0x39	565.0	0x29	780.2	0x19	1,260.3	0x09	3,276.8
0x38	574.9	0x28	799.2	0x18	1,310.7	0x08	3,640.9
0x37	585.1	0x27	819.2	0x17	1,365.3	0x07	4,096.0
0x36	595.8	0x26	840.2	0x16	1,424.7	0x06	4,681.1
0x35	606.8	0x25	862.3	0x15	1,489.5	0x05	5,461.3
0x34	618.3	0x24	885.6	0x14	1,560.4	0x04	6,553.6
0x33	630.2	0x23	910.2	0x13	1,638.4	0x03	8,192.0
0x32	642.5	0x22	936.2	0x12	1,724.6	0x02	10,922.7
0x31	655.4	0x21	963.8	0x11	1,820.4	0x01	16,384.0
0x30	668.7	0x20	993.0	0x10	1,927.5	0x00	Cannot be set

Table 18.4.2.2 Buzzer Duty Ratio Setting Examples (when f_{CLK_SND A} = 32,768 Hz)

SNDADAT. SLEN[5:0] bits	Duty ratio by buzzer frequency					
	16,384 Hz	8,192 Hz	4,096 Hz	2,048 Hz	1,024 Hz	512 Hz
0x3f	-	-	-	-	-	-
0x3e	-	-	-	-	-	98.4
0x3d	-	-	-	-	-	96.9
0x3c	-	-	-	-	-	95.3
0x3b	-	-	-	-	-	93.8
0x3a	-	-	-	-	-	92.2
0x39	-	-	-	-	-	90.6
0x38	-	-	-	-	-	89.1
0x37	-	-	-	-	-	87.5
0x36	-	-	-	-	-	85.9
0x35	-	-	-	-	-	84.4
0x34	-	-	-	-	-	82.8
0x33	-	-	-	-	-	81.3
0x32	-	-	-	-	-	79.7
0x31	-	-	-	-	-	78.1
0x30	-	-	-	-	-	76.6
0x2f	-	-	-	-	-	75.0
0x2e	-	-	-	-	-	73.4
0x2d	-	-	-	-	-	71.9
0x2c	-	-	-	-	-	70.3
0x2b	-	-	-	-	-	68.8
0x2a	-	-	-	-	-	67.2
0x29	-	-	-	-	-	65.6
0x28	-	-	-	-	-	64.1
0x27	-	-	-	-	-	62.5
0x26	-	-	-	-	-	60.9
0x25	-	-	-	-	-	59.4
0x24	-	-	-	-	-	57.8
0x23	-	-	-	-	-	56.3
0x22	-	-	-	-	-	54.7
0x21	-	-	-	-	-	53.1
0x20	-	-	-	-	-	51.6
0x1f	-	-	-	-	-	50.0
0x1e	-	-	-	-	96.9	48.4
0x1d	-	-	-	-	93.8	46.9
0x1c	-	-	-	-	90.6	45.3
0x1b	-	-	-	-	87.5	43.8
0x1a	-	-	-	-	84.4	42.2
0x19	-	-	-	-	81.3	40.6
0x18	-	-	-	-	78.1	39.1
0x17	-	-	-	-	75.0	37.5
0x16	-	-	-	-	71.9	35.9
0x15	-	-	-	-	68.8	34.4
0x14	-	-	-	-	65.6	32.8
0x13	-	-	-	-	62.5	31.3
0x12	-	-	-	-	59.4	29.7

SNDADAT. SLEN[5:0] bits	Duty ratio by buzzer frequency					
	16,384 Hz	8,192 Hz	4,096 Hz	2,048 Hz	1,024 Hz	512 Hz
0x11	–	–	–	–	56.3	28.1
0x10	–	–	–	–	53.1	26.6
0x0f	–	–	–	–	50.0	25.0
0x0e	–	–	–	93.8	46.9	23.4
0x0d	–	–	–	87.5	43.8	21.9
0x0c	–	–	–	81.3	40.6	20.3
0x0b	–	–	–	75.0	37.5	18.8
0x0a	–	–	–	68.8	34.4	17.2
0x09	–	–	–	62.5	31.3	15.6
0x08	–	–	–	56.3	28.1	14.1
0x07	–	–	–	50.0	25.0	12.5
0x06	–	–	87.5	43.8	21.9	10.9
0x05	–	–	75.0	37.5	18.8	9.4
0x04	–	–	62.5	31.3	15.6	7.8
0x03	–	–	50.0	25.0	12.5	6.3
0x02	–	75.0	37.5	18.8	9.4	4.7
0x01	–	50.0	25.0	12.5	6.3	3.1
0x00	50.0	25.0	12.5	6.3	3.1	1.6

18.4.3 Buzzer Output in One-shot Buzzer Mode

One-shot buzzer mode is provided for clicking sound and short-duration buzzer output. This mode generates a buzzer signal with the software specified frequency and duty ratio, and outputs the generated signal for the short duration specified.

An output start procedure and the SNDA operations are shown below. For the buzzer output waveform, refer to “Buzzer Output in Normal Buzzer Mode.”

One-shot buzzer output start procedure

- Set the following SNDASEL register bits:
 - Set the SNDASEL.MOSEL[1:0] bits to 0x1. (Set one-shot buzzer mode)
 - SNDASEL.STIM[3:0] bits (Set output duration)
- Write data to the following sound buffer (SNDADAT register) bits. (Start buzzer output)
 - SNDADAT.SLEN[5:0] bits (Set buzzer output signal duty ratio)
 - SNDADAT.SFRQ[7:0] bits (Set buzzer output signal frequency)

One-shot buzzer output operations

When data is written to the sound buffer (SNDADAT register), SNDA clears the SNDAINTF.EMIF bit (sound buffer empty interrupt flag) to 0 and starts buzzer output operations.

The data written to the sound buffer is loaded into the sound register in sync with the CLK_SNDA clock. At the same time, the SNDAINTF.EMIF bit and SNDAINTF.SBSY bit are both set to 1. The output pin outputs the buzzer signal with the frequency/duty ratio specified.

The buzzer output automatically stops when the duration specified by the SNDASEL.STIM[3:0] bits has elapsed. At the same time, the SNDAINTF.EDIF bit (sound output completion interrupt flag) is set to 1 and the SNDAINTF.SBSY bit is cleared to 0.

Figure 18.4.3.1 shows a buzzer output timing chart in one-shot buzzer mode.

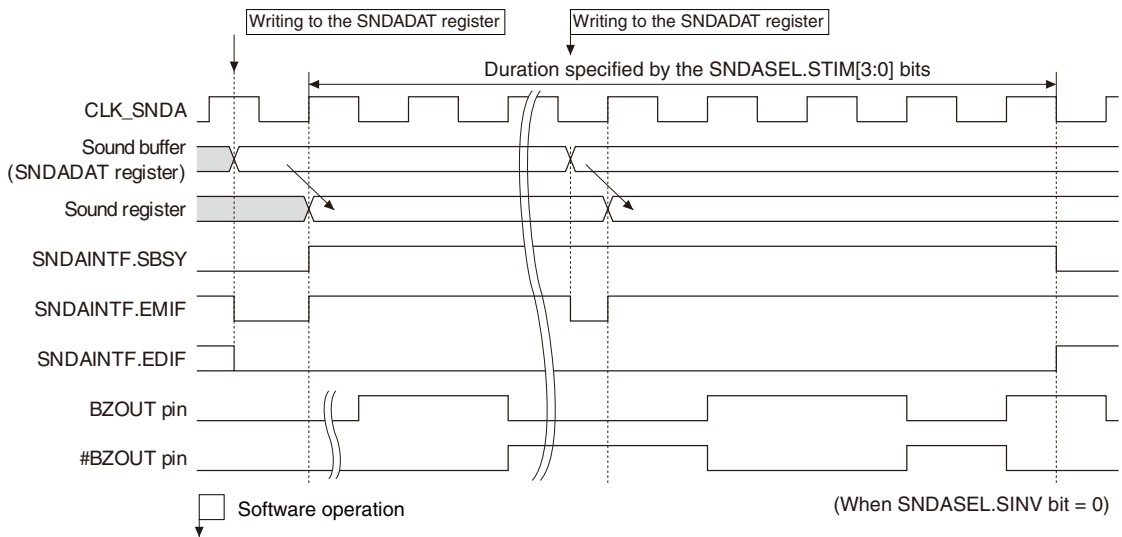


Figure 18.4.3.1 Buzzer Output Timing Chart in One-shot Buzzer Mode

18.4.4 Output in Melody Mode

Melody mode generates the buzzer signal with a melody according to the data written to the sound buffer (SNADAT register) successively, and outputs the generated signal to outside the IC. An output start procedure and the SNDA operations are shown below.

Melody output start procedure

- Set the following SNDASEL register bits:
 - Set the SNDASEL.MOSEL[1:0] bits to 0x2. (Set melody mode)
 - SNDASEL.STIM[3:0] bits (Set tempo)
- Write data to the following sound buffer (SNADAT register) bits. (Start sound output)
 - SNADAT.MDTI bit (Set tie/slur)
 - SNADAT.MDRS bit (Set note/rest)
 - SNADAT.SLEN[5:0] bits (Set duration)
 - SNADAT.SFRQ[7:0] bits (Set scale)
- Check to see if the SINDAINTF.EMIF bit is set to 1 (an interrupt can be used).
- Repeat Steps 2 and 3 until the end of the melody.

Melody output operations

When data is written to the sound buffer (SNADAT register), SNDA clears the SINDAINTF.EMIF bit (sound buffer empty interrupt flag) to 0 and starts sound output operations.

The data written to the sound buffer is loaded into the sound register by the internal trigger signal. At the same time, the SINDAINTF.EMIF bit and SINDAINTF.SBSY bit are both set to 1. The output pin outputs the sound specified.

The sound output stops if data is not written to the sound buffer (SNADAT register) until the next trigger is issued. At the same time, the SINDAINTF.EDIF bit (sound output completion interrupt flag) is set to 1 and the SINDAINTF.SBSY bit is cleared to 0.

Figure 18.4.4.1 shows a melody mode operation timing chart.

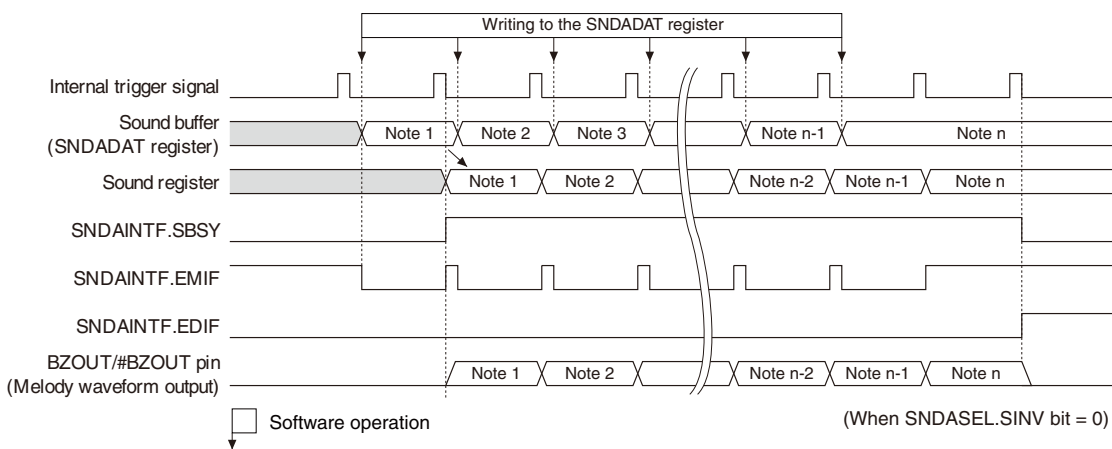


Figure 18.4.4.1 Melody Mode Operation Timing Chart

Melody output using DMA

By setting the SNDAEMDMAEN.EMDMAEN_x bit to 1 (DMA transfer request enabled), a DMA transfer request is sent to the DMA controller and melody data is transferred from the specified memory to the sound buffer (SNDADAT register) via DMA Ch._x when the SNDAINTE.EMIF bit is set to 1 (sound buffer empty). This automates the melody output procedure from Steps 2 to 4 described above. The transfer source/destination and control data must be set for the DMA controller and the relevant DMA channel must be enabled to start a DMA transfer in advance so that transmit data will be transferred to the sound buffer (SNDADAT register). For more information on DMA, refer to the “DMA Controller” chapter.

Table 18.4.4.1 DMA Data Structure Configuration Example (for Melody Output)

Item	Setting example	
End pointer	Transfer source	Memory address in which the last melody data is stored
	Transfer destination	SNDADAT register address
Control data	dst_inc	0x3 (no increment)
	dst_size	0x1 (halfword)
	src_inc	0x1 (+2)
	src_size	0x1 (halfword)
	R_power	0x0 (arbitrated for every transfer)
	n_minus_1	Number of transfer data
	cycle_ctrl	0x1 (basic transfer)

Melody output waveform configuration

Note/rest (duration) specification

Notes and rests can be specified using the SNDADAT.MDRS and SNDADAT.SLEN[5:0] bits.

Table 18.4.4.2 Note/Rest Specification (when fCLK_SNDA = 32,768 Hz)

SNDADAT.SLEN[5:0] bits	SNDADAT.MDRS bit	
	0: Note	1: Rest
0x0f	Half note	Half rest
0x0b	Dotted quarter note	Dotted quarter rest
0x07	Quarter note	Quarter rest
0x05	Dotted eighth note	Dotted eighth rest
0x03	Eighth note	Eighth rest
0x01	Sixteenth note	Sixteenth rest
0x00	Thirty-second note	Thirty-second rest
Other	Setting prohibited	

Tie/slur specification

A tie or slur takes effect by setting the SNDADAT.MDTI bit to 1 and the previous note and the current note are played continuously.

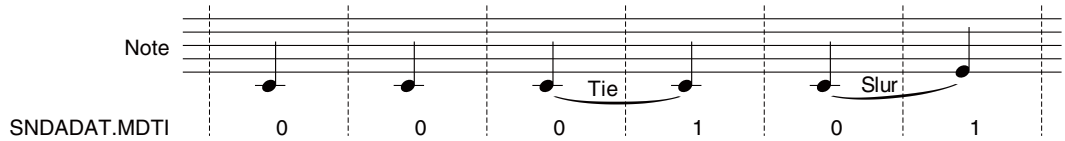


Figure 18.4.4.2 Tie and Slur

Scale specification

Scales can be specified using the SNDADAT.SFRQ[7:0] bits.

Table 18.4.4.3 Scale Specification (when $f_{CLK_SNDA} = 32,768$ Hz)

SNDADAT.SFRQ[7:0] bits	Scale	Frequency [Hz]
0xf8	C3	131.60
0xea	C#3	139.44
0xdd	D3	147.60
0xd1	D#3	156.04
0xc5	E3	165.49
0xba	F3	175.23
0xaf	F#3	186.18
0xa5	G3	197.40
0x9c	G#3	208.71
0x93	A3	221.41
0x8b	A#3	234.06
0x83	B3	248.24
0x7c	C4	262.14
0x75	C#4	277.69
0x6e	D4	295.21
0x68	D#4	312.08
0x62	E4	330.99
0x5c	F4	352.34
0x57	F#4	372.36
0x52	G4	394.80
0x4e	G#4	414.78
0x49	A4	442.81
0x45	A#4	468.11
0x41	B4	496.48
0x3d	C5	528.52
0x3a	C#5	555.39
0x37	D5	585.14
0x33	D#5	630.15
0x30	E5	668.73
0x2e	F5	697.19
0x2b	F#5	744.73
0x29	G5	780.19
0x26	G#5	840.21
0x24	A5	885.62
0x22	A#5	936.23
0x20	B5	992.97
0x1e	C6	1057.03

18.5 Interrupts

SNDA has a function to generate the interrupts shown in Table 18.5.1.

Table 18.5.1 SNDA Interrupt Function

Interrupt	Interrupt flag	Set condition	Clear condition
Sound buffer empty	SNDAINTEMIF	When data in the sound buffer (SNDADAT register) is transferred to the sound register or 1 is written to the SNDCTL.SSTP bit	Writing to the SNDADAT register
Sound output completion	SNDAINTEDF	When a sound output has completed	Writing 1 or writing to the SNDADAT register

18 SOUND GENERATOR (SNDA)

SNDA provides interrupt enable bits corresponding to each interrupt flag. An interrupt request is sent to the CPU core only when the interrupt flag, of which interrupt has been enabled by the interrupt enable bit, is set. For more information on interrupt control, refer to the “Interrupt” chapter.

18.6 DMA Transfer Requests

The SNDA has a function to generate DMA transfer requests from the causes shown in Table 18.6.1.

Table 18.6.1 DMA Transfer Request Causes of SNDA

Cause to request DMA transfer	DMA transfer request flag	Set condition	Clear condition
Sound buffer empty	Sound buffer empty flag (SNDAINTE.MIF)	When data in the sound buffer (SNDADAT register) is transferred to the sound register or 1 is written to the SNDACTL.SSTP bit	Writing to the SNDADAT register

The SNDA provides DMA transfer request enable bits corresponding to each DMA transfer request flag shown above for the number of DMA channels. A DMA transfer request is sent to the pertinent channel of the DMA controller only when the DMA transfer request flag, of which DMA transfer has been enabled by the DMA transfer request enable bit, is set. The DMA transfer request flag also serves as an interrupt flag, therefore, both the DMA transfer request and the interrupt cannot be enabled at the same time. After a DMA transfer has completed, disable the DMA transfer to prevent unintended DMA transfer requests from being issued. For more information on the DMA control, refer to the “DMA Controller” chapter.

18.7 Control Registers

SNDA Clock Control Register

Register name	Bit	Bit name	Initial	Reset	R/W	Remarks
SNDACLK	15–9	–	0x00	–	R	–
	8	DBRUN	0	H0	R/W	
	7	–	0	–	R	
	6–4	CLKDIV[2:0]	0x0	H0	R/W	
	3–2	–	0x0	–	R	
	1–0	CLKSRC[1:0]	0x0	H0	R/W	

Bits 15–9 Reserved

Bit 8 DBRUN

This bit sets whether the SNDA operating clock is supplied in DEBUG mode or not.

1 (R/W): Clock supplied in DEBUG mode

0 (R/W): No clock supplied in DEBUG mode

Bit 7 Reserved

Bits 6–4 CLKDIV[2:0]

These bits select the division ratio of the SNDA operating clock.

Bits 3–2 Reserved

Bits 1–0 CLKSRC[1:0]

These bits select the clock source of SNDA.

Table 18.7.1 Clock Source and Division Ratio Settings

SNDACLK. CLKDIV[2:0] bits	SNDACLK.CLKSRC[1:0] bits				
	0x0	0x1	0x2	0x3	
	IOSC	OSC1	OSC3	EXOSC	
0x7	Reserved	1/1	Reserved	1/1	
0x6					
0x5					1/512
0x4					1/256
0x3					1/128
0x2					1/64
0x1					1/32
0x0					1/16

(Note) The oscillation circuits/external input that are not supported in this IC cannot be selected as the clock source.

Note: The SNDACLK register settings can be altered only when the SNDCTL.MODEN bit = 0.

SNDA Select Register

Register name	Bit	Bit name	Initial	Reset	R/W	Remarks
SNDASEL	15–12	–	0x0	–	R	–
	11–8	STIM[3:0]	0x0	H0	R/W	
	7–3	–	0x00	–	R	
	2	SINV	0	H0	R/W	
	1–0	MOSEL[1:0]	0x0	H0	R/W	

Bits 15–12 Reserved

Bits 11–8 STIM[3:0]

These bits select a tempo (when melody mode is selected) or a one-shot buzzer output duration (when one-shot buzzer mode is selected).

Table 18.7.2 Tempo/One-shot Buzzer Output Duration Selections (when fCLK_SNDA = 32,768 Hz)

SNDASEL. STIM[3:0] bits	Tempo (= Quarter note/minute)	One-shot buzzer output duration [ms]
0xf	30	250.0
0xe	32	234.4
0xd	34.3	218.8
0xc	36.9	203.1
0xb	40	187.5
0xa	43.6	171.9
0x9	48	156.3
0x8	53.3	140.6
0x7	60	125.0
0x6	68.6	109.4
0x5	80	93.8
0x4	96	78.1
0x3	120	62.5
0x2	160	46.9
0x1	240	31.3
0x0	480	15.6

Note: Be sure to avoid altering these bits when SNDINTF.SBSY bit = 1.

Bits 7–3 Reserved

Bit 2 SINV

This bit selects an output pin drive mode.

1 (R/W): Normal drive mode

0 (R/W): Direct drive mode

For more information, refer to “Output Pin Drive Mode.”

Bits 1–0 MOSEL[1:0]

These bits select a sound output mode.

Table 18.7.3 Sound Output Mode Selection

SNDASEL.MOSEL[1:0] bits	Sound output mode
0x3	Reserved
0x2	Melody mode
0x1	One-shot buzzer mode
0x0	Normal buzzer mode

SNDA Control Register

Register name	Bit	Bit name	Initial	Reset	R/W	Remarks
SNDACTL	15–9	–	0x00	–	R	–
	8	SSTP	0	H0	R/W	
	7–1	–	0x00	–	R	
	0	MODEN	0	H0	R/W	

Bits 15–9 Reserved

Bit 8 SSTP

This bit stops sound output.

1 (W): Stop sound output

0 (W): Ineffective

1 (R): In stop process

0 (R): Stop process completed/Idle

The SNDACTL.SSTP bit is used to stop buzzer output in normal buzzer mode. After 1 is written, this bit is cleared to 0 when the sound output has completed. Also in one-shot buzzer mode/melody mode, writing 1 to this bit can forcibly terminate the sound output.

Bits 7–1 Reserved

Bit 0 MODEN

This bit enables the SNDA operations.

1 (R/W): Enable SNDA operations (The operating clock is supplied.)

0 (R/W): Disable SNDA operations (The operating clock is stopped.)

SNDA Data Register

Register name	Bit	Bit name	Initial	Reset	R/W	Remarks
SNDADAT	15	MDTI	0	H0	R/W	–
	14	MDRS	0	H0	R/W	
	13–8	SLEN[5:0]	0x00	H0	R/W	
	7–0	SFRQ[7:0]	0xff	H0	R/W	

This register functions as a sound buffer. Writing data to this register starts sound output. For detailed information on the setting data, refer to “Buzzer output waveform configuration (normal buzzer mode/one-shot buzzer mode)” and “Melody output waveform configuration.”

Bit 15 MDTI

This bit specifies a tie or slur (continuous play with the previous note) in melody mode.

1 (R/W): Enable tie/slur

0 (R/W): Disable tie/slur

This bit is ignored in normal buzzer mode/one-shot buzzer mode.

Bit 14 MDRS

This bit selects the output type in melody mode from a note or a rest .

1 (R/W): Rest

0 (R/W): Note

When a rest is selected, the BZOUT pin goes low and the #BZOUT pin goes high during the output duration. This bit is ignored in normal buzzer mode/one-shot buzzer mode.

Bits 13–8 SLEN[5:0]

These bits select a duration (when melody mode is selected) or a buzzer signal duty ratio (when normal buzzer mode/one-shot buzzer mode is selected).

Bits 7–0 SFRQ[7:0]

These bits select a scale (when melody mode is selected) or a buzzer signal frequency (when normal buzzer mode/one-shot buzzer mode is selected).

- Notes:**
- In normal buzzer mode/one-shot buzzer mode, only the low-order 6 bits (SNDADAT.SFRQ[5:0] bits) are effective within the SNDADAT.SFRQ[7:0] bits. Always set the SNDADAT.SFRQ[7:6] bits to 0x0.
 - The SNDADAT register allows 16-bit data writing only. Data writings in 8-bit size will be ignored.

SNDA Interrupt Flag Register

Register name	Bit	Bit name	Initial	Reset	R/W	Remarks
SNDAINTF	15–9	–	0x00	–	R	–
	8	SBSY	0	H0	R	
	7–2	–	0x00	–	R	
	1	EMIF	1	H0	R	Cleared by writing to the SNDADAT register.
	0	EDIF	0	H0	R/W	Cleared by writing 1 or writing to the SNDADAT register.

Bits 15–9 Reserved**Bit 8 SBSY**

This bit indicates the sound output status. (See Figures 18.4.2.1, 18.4.3.1, and 18.4.4.1.)

1 (R): Outputting

0 (R): Idle

Bits 7–2 Reserved**Bit 1 EMIF****Bit 0 EDIF**

These bits indicate the SNDA interrupt cause occurrence status.

1 (R): Cause of interrupt occurred

0 (R): No cause of interrupt occurred

1 (W): Clear flag

0 (W): Ineffective

The following shows the correspondence between the bit and interrupt:

SNDAINTF.EMIF bit: Sound buffer empty interrupt

SNDAINTF.EDIF bit: Sound output completion interrupt

SNDA Interrupt Enable Register

Register name	Bit	Bit name	Initial	Reset	R/W	Remarks
SNDAINTE	15–8	–	0x00	–	R	–
	7–2	–	0x00	–	R	
	1	EMIE	0	H0	R/W	
	0	EDIE	0	H0	R/W	

Bits 15–2 Reserved**Bit 1 EMIE****Bit 0 EDIE**

These bits enable SNDA interrupts.

1 (R/W): Enable interrupts

0 (R/W): Disable interrupts

18 SOUND GENERATOR (SNDA)

The following shows the correspondence between the bit and interrupt:

SNDAINTE.EMIE bit: Sound buffer empty interrupt

SNDAINTE.EDIE bit: Sound output completion interrupt

SNDA Sound Buffer Empty DMA Request Enable Register

Register name	Bit	Bit name	Initial	Reset	R/W	Remarks
SNDAEMDMAEN	15–0	EMDMAEN[15:0]	0x0000	H0	R/W	–

Bits 15–0 EMDMAEN[15:0]

These bits enable the SNDA to issue a DMA transfer request to the corresponding DMA controller channel (Ch.0–Ch.15) when a sound buffer empty state has occurred.

1 (R/W): Enable DMA transfer request

0 (R/W): Disable DMA transfer request

Each bit corresponds to a DMA controller channel. The high-order bits for the unimplemented channels are ineffective.

19 IR Remote Controller (REMC2)

19.1 Overview

The REMC2 circuit generates infrared remote control output signals. This circuit can also be applicable to an EL lamp drive circuit by adding a simple external circuit.

The features of the REMC2 are listed below.

- Outputs an infrared remote control signal.
- Includes a carrier generator.
- Flexible carrier signal generation and data pulse width modulation.
- Automatic data setting function for continuous data transmission.
- Output signal inverting function supporting various formats.
- EL lamp drive waveform can be generated for an application example.

Figure 19.1.1 shows the REMC2 configuration.

Table 19.1.1 REMC2 Channel Configuration of S1C31W74

Item	S1C31W74
Number of channels	1 transmitter channel

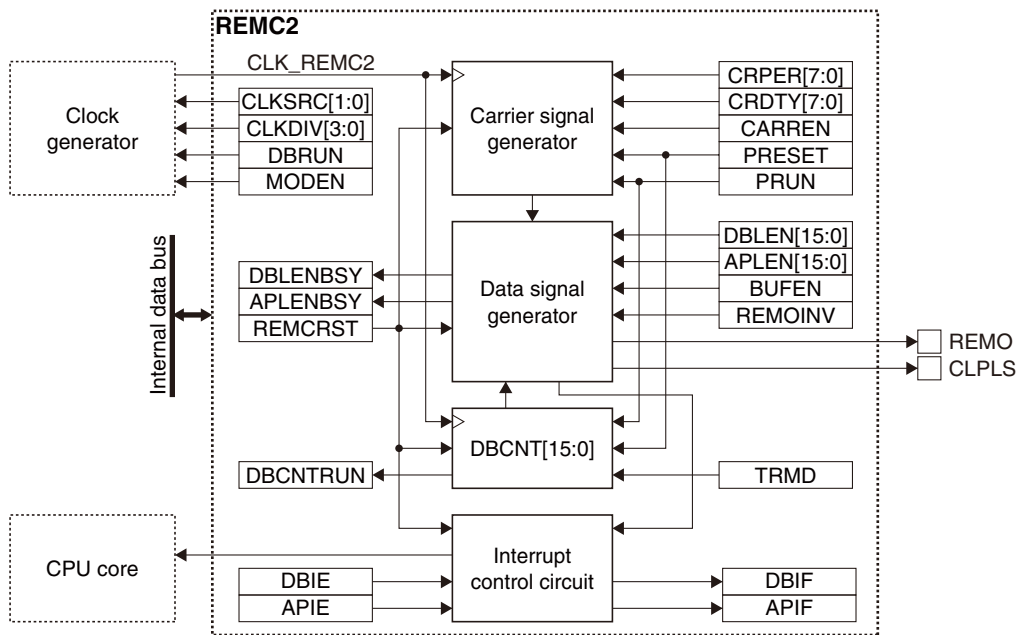


Figure 19.1.1 REMC2 Configuration

19.2 Input/Output Pins and External Connections

19.2.1 Output Pin

Table 19.2.1.1 shows the REMC2 pin.

Table 19.2.1.1 REMC2 Pin

Pin name	I/O*	Initial status*	Function
REMO	O	O (L)	IR remote controller transmit data output
CLPLS	O	O (L)	IR remote controller clear pulse output

* Indicates the status when the pin is configured for the REMC2.

If the port is shared with the REMC2 pin and other functions, the REMC2 output function must be assigned to the port before activating the REMC2. For more information, refer to the “I/O Ports” chapter.

19.2.2 External Connections

Figure 19.2.2.1 shows a connection example between the REMC2 and an external infrared module.

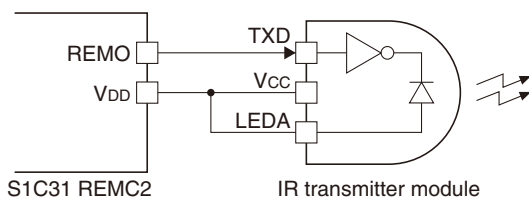


Figure 19.2.2.1 Connection Example Between REMC2 and External Infrared Module

19.3 Clock Settings

19.3.1 REMC2 Operating Clock

When using the REMC2, the REMC2 operating clock CLK_REMC2 must be supplied to the REMC2 from the clock generator. The CLK_REMC2 supply should be controlled as in the procedure shown below.

1. Enable the clock source in the clock generator if it is stopped (refer to “Clock Generator” in the “Power Supply, Reset, and Clocks” chapter).
2. Set the following REMC2CLK register bits:
 - REMC2CLK.CLKSRC[1:0] bits (Clock source selection)
 - REMC2CLK.CLKDIV[3:0] bits (Clock division ratio selection = Clock frequency setting)

19.3.2 Clock Supply in SLEEP Mode

When using REMC2 during SLEEP mode, the REMC2 operating clock CLK_REMC2 must be configured so that it will keep supplying by writing 0 to the CLGOSC.xxxxSLPC bit for the CLK_REMC2 clock source.

If the CLGOSC.xxxxSLPC bit for the CLK_REMC2 clock source is 1, the CLK_REMC2 clock source is deactivated during SLEEP mode and REMC2 stops with the register settings maintained at those before entering SLEEP mode. After the CPU returns to normal mode, CLK_REMC2 is supplied and the REMC2 operation resumes.

19.3.3 Clock Supply During Debugging

The CLK_REMC2 supply during debugging should be controlled using the REMC2CLK.DBRUN bit.

The CLK_REMC2 supply to the REMC2 is suspended when the CPU enters debug state if the REMC2CLK.DBRUN bit = 0. After the CPU returns to normal operation, the CLK_REMC2 supply resumes. Although the REMC2 stops operating when the CLK_REMC2 supply is suspended, the output pin and registers retain the status before debug state was entered. If the REMC2CLK.DBRUN bit = 1, the CLK_REMC2 supply is not suspended and the REMC2 will keep operating in debug state.

19.4 Operations

19.4.1 Initialization

The REMC2 should be initialized with the procedure shown below.

1. Write 1 to the REMC2DBCTL.REMCRST bit. (Reset REMC2)
2. Configure the REMC2CLK.CLKSRC[1:0] and REMC2CLK.CLKDIV[3:0] bits. (Configure operating clock)
3. Assign the REMC2 output function to the port. (Refer to the “I/O Ports” chapter.)
4. Configure the following REMC2DBCTL register bits:

- Set the REMC2DBCTL.MODEN bit to 1. (Enable count operation clock)
 - REMC2DBCTL.TRMD bit (Select repeat mode/one-shot mode)
 - Set the REMC2DBCTL.BUFEN bit to 1. (Enable compare buffer)
 - REMC2DBCTL.REMOINV bit (Configure inverse logic output signal)
5. Configure the following REMC2CARR register bits:
 - REMC2CARR.CRPER[7:0] bit (Set carrier signal cycle)
 - REMC2CARR.CRDTY[7:0] bit (Set carrier signal duty)
 6. Set the REMC2CCTL.CARREN bit. (Enable/disable carrier modulation)
 7. Set the following bits when using the interrupt:
 - Write 1 to the interrupt flags in the REMC2INTF register. (Clear interrupt flags)
 - Set the interrupt enable bits in the REMC2INTE register to 1. (Enable interrupts)

19.4.2 Data Transmission Procedures

Starting data transmission

The following shows a procedure to start data transmission.

1. Set the REMC2APLEN.APLEN[15:0] bits. (Set data signal duty)
2. Set the REMC2DBLEN.DBLEN[15:0] bits. (Set data signal cycle)
3. Set the following REMC2DBCTL register bits:
 - Set the REMC2DBCTL.PRESET bit to 1. (Reset internal counters)
 - Set the REMC2DBCTL.PRUN bit to 1. (Start counting)

Continuous data transmission control

The following shows a procedure to send data continuously after starting data transmission (after Step 3 above).

1. Set the duty and cycle for the subsequent data to the REMC2APLEN.APLEN[15:0] and REMC2DBLEN.DBLEN[15:0] bits, respectively, before a compare DB interrupt (REMC2INTF.DBIF bit = 1) occurs. (It is not necessary to rewrite settings when sending the same data with the current settings.)
2. Wait for a compare DB interrupt (REMC2INTF.DBIF bit = 1).
3. Repeat Steps 1 and 2 until the end of data.

Terminating data transmission

The following shows a procedure to terminate data transmission.

1. Wait for a compare DB interrupt (REMC2INTF.DBIF bit = 1).
2. Set the REMC2DBCTL.PRUN bit to 0. (Stop counting)
3. Set the REMC2DBCTL.MODEN bit to 0. (Disable count operation clock)

19.4.3 REMO Output Waveform

Carrier refers to infrared frequency in infrared remote control communication. Note, however, that carrier in this manual refers to sub-carrier used in infrared remote control communication, as REMC2 does not control infrared rays directly.

The REMC2 outputs the logical AND between the carrier signal output from the carrier generator and the data signal output from the data signal generator. Figure 19.4.3.1 shows an example of the output waveform.

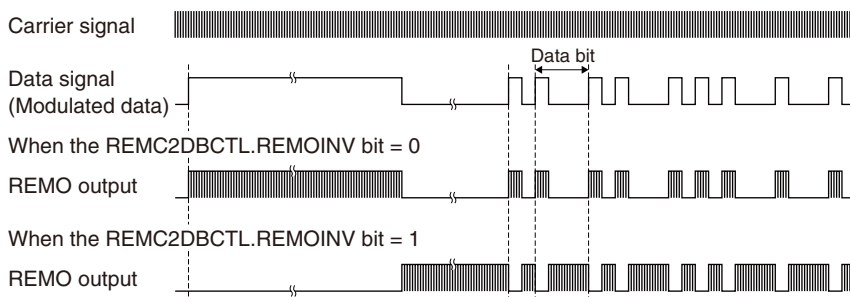


Figure 19.4.3.1 REMO Output Waveform Example

Carrier signal

The carrier signal is generated by comparing the values of the 8-bit counter for carrier generation that runs with CLK_REMC2 and the setting values of the REMC2CARR.CRDTY[7:0] and REMC2CARR.CRPER[7:0] bits. Figure 19.4.3.2 shows an example of the carrier signal generated.

Example) REMC2CARR.CRDTY[7:0] bits = 2, REMC2CARR.CRPER[7:0] bits = 8

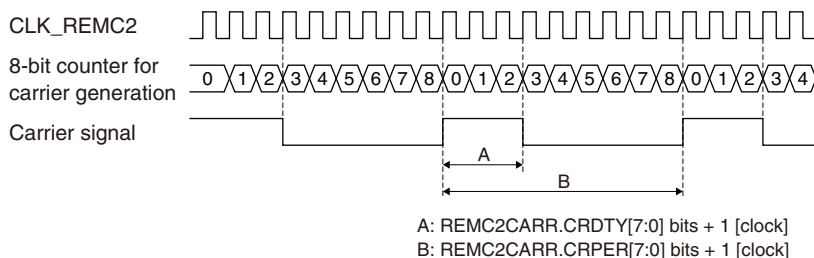


Figure 19.4.3.2 Example of Carrier Signal Generated

The carrier signal frequency and duty ratio can be calculated by the equations shown below.

$$\text{Carrier frequency} = \frac{f_{\text{CLK_REMC2}}}{\text{CRPER} + 1} \quad \text{Duty ratio} = \frac{\text{CRDTY} + 1}{\text{CRPER} + 1} \quad (\text{Eq. 19.1})$$

Where

f_{CLK_REMC2}: CLK_REMC2 frequency [Hz]

CRPER: REMC2CARR.CRPER[7:0] bit-setting value (1–255)

CRDTY: REMC2CARR.CRDTY[7:0] bit-setting value (0–254)

* REMC2CARR.CRDTY[7:0] bits < REMC2CARR.CRPER[7:0] bits

The 8-bit counter for carrier generation is reset by the REMC2DBCTL.PRESET bit and is started/stopped by the REMC2DBCTL.PRUN bit in conjunction with the 16-bit counter for data signal generation. When the counter value is matched with the REMC2CARR.CRDTY[7:0] bits, the carrier signal waveform is inverted. When the counter value is matched with the REMC2CARR.CRPER[7:0] bits, the carrier signal waveform is inverted and the counter is reset to 0x00.

Data signal

The data signal is generated by comparing the values of the 16-bit counter for data signal generation (REMC2DBCNT.DBCNT[15:0] bits) that runs with CLK_REMC2 and the setting values of the REMC2APLEN.APLEN[15:0] and REMC2DBLEN.DBLEN[15:0] bits. Figure 19.4.3.3 shows an example of the data signal generated.

Example) REMC2APLEN.APLEN[15:0] bits = 0x0bd0, REMC2DBLEN.DBLEN[15:0] bits = 0x11b8,
 REMC2DBCTL.TRMD bit = 0 (repeat mode), REMC2DBCTL.REMOINV bit = 0 (signal logic non-inverted)

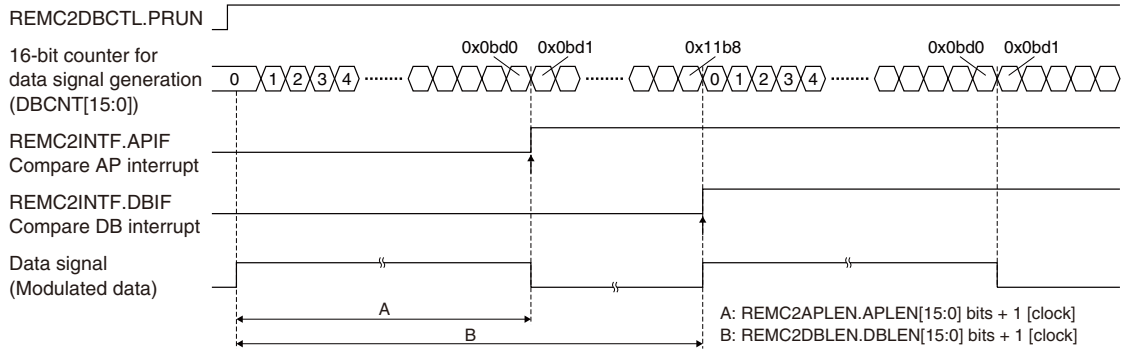


Figure 19.4.3.3 Example of Data Signal Generated

The data length and duty ratio of the pulse-width-modulated data signal can be calculated with the equations shown below.

$$\text{Data length} = \frac{\text{DBLEN} + 1}{f_{\text{CLK_REMC2}}} \quad \text{Duty ratio} = \frac{\text{APLEN} + 1}{\text{DBLEN} + 1} \quad (\text{Eq. 19.2})$$

Where

$f_{\text{CLK_REMC2}}$: CLK_REMC2 frequency [Hz]

DBLEN: REMC2DBLEN.DBLEN[15:0] bit-setting value (1–65,535)

APLEN: REMC2APLEN.APLEN[15:0] bit-setting value (0–65,534)

* REMC2APLEN.APLEN[15:0] bits < REMC2DBLEN.DBLEN[15:0] bits

The 16-bit counter for data signal generation is reset by the REMC2DBCTL.PRESET bit and is started/stopped by the REMC2DBCTL.PRUN bit. When the counter value is matched with the REMC2APLEN.APLEN[15:0] bits (compare AP), the data signal waveform is inverted. When the counter value is matched with the REMC2DBLEN.DBLEN[15:0] bits (compare DB), the data signal waveform is inverted and the counter is reset to 0x0000.

A different interrupt can be generated when the counter value is matched with the REMC2DBLEN.DBLEN[15:0] and REMC2APLEN.APLEN[15:0] bits, respectively.

Repeat mode and one-shot mode

When the 16-bit counter for data signal generation is set to repeat mode (REMC2DBCTL.TRMD bit = 0), the counter keeps operating until it is stopped using the REMC2DBCTL.PRUN bit. When the counter is set to one-shot mode (REMC2DBCTL.TRMD bit = 1), the counter stops automatically when the counter value is matched with the REMC2DBLEN.DBLEN[15:0] bit-setting value.

19.4.4 Continuous Data Transmission and Compare Buffers

Figure 19.4.4.1 shows an operation example of continuous data transmission with the compare buffer enabled.

19 IR REMOTE CONTROLLER (REMC2)

Example) REMC2DBCTL.TRMD bit = 0 (repeat mode), REMC2DBCTL.BUFEN bit = 1 (compare buffer enabled),
REMC2DBCTL.REMOINV bit = 0 (signal logic non-inverted)

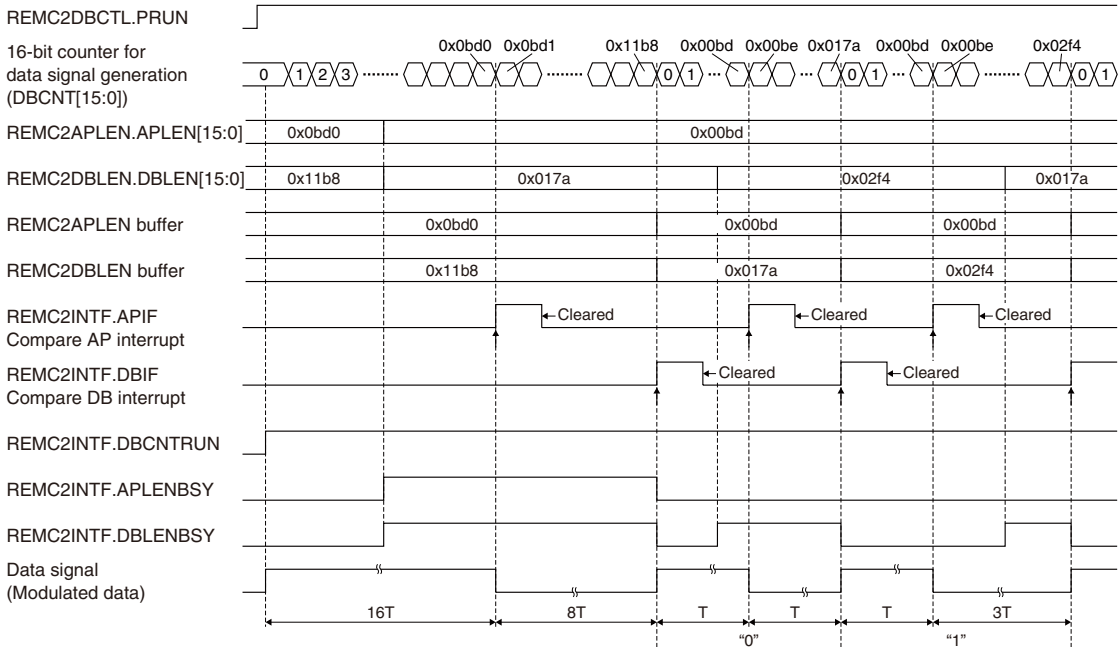


Figure 19.4.4.1 Continuous Data Transmission Example

When the compare buffer is disabled (REMC2DBCTL.BUFEN bit = 0), the 16-bit counter value is directly compared with the REMC2APLEN.APLEN[15:0] and REMC2DBLEN.DBLEN[15:0] bit values. The comparison value is altered immediately after the REMC2APLEN.APLEN[15:0] or REMC2DBLEN.DBLEN[15:0] bits are rewritten.

When the compare buffer is enabled (REMC2DBCTL.BUFEN bit = 1), the REMC2APLEN.APLEN[15:0] and REMC2DBLEN.DBLEN[15:0] bit values are loaded into the compare buffers provided respectively (REMC2APLEN buffer and REMC2DBLEN buffer) and the 16-bit counter value is compared with the compare buffers.

The comparison values are loaded into the compare buffers when the 16-bit counter is matched with the REMC2DBLEN buffer (when the count for the data length has completed). Therefore, the next transmit data can be set during the current data transmission. When the compare buffers are enabled, the buffer status flags (REMC2INTF.APLENBSY bit and REMC2INTF.DBLENBSY bit) become effective. The flag is set to 1 when the setting value is written to the register and cleared to 0 when the written value is transferred to the buffer.

19.5 Interrupts

The REMC2 has a function to generate the interrupts shown in Table 19.5.1.

Table 19.5.1 REMC2 Interrupt Function

Interrupt	Interrupt flag	Set condition	Clear condition
Compare AP	REMC2INTF.APIF	When the REMC2APLEN register (or REMC2APLEN buffer) value and the 16-bit counter for data signal generation are matched	Writing 1 to the interrupt flag or the REMC2DBCTL.REMCRST bit
Compare DB	REMC2INTF.DBIF	When the REMC2DBLEN register (or REMC2DBLEN buffer) value and the 16-bit counter for data signal generation are matched	Writing 1 to the interrupt flag or the REMC2DBCTL.REMCRST bit

The REMC2 provides interrupt enable bits corresponding to each interrupt flag. An interrupt request is sent to the CPU core only when the interrupt flag, of which interrupt has been enabled by the interrupt enable bit, is set. For more information on interrupt control, refer to the “Interrupt” chapter.

19.6 Application Example: Driving EL Lamp

The REMC2 can be used to simply drive an EL lamp as an application example. Figures 19.6.1 and 19.6.2 show an example of an EL lamp drive circuit and an example of the drive waveform generated, respectively. For details of settings and an example of components, refer to the Application Note provided separately.

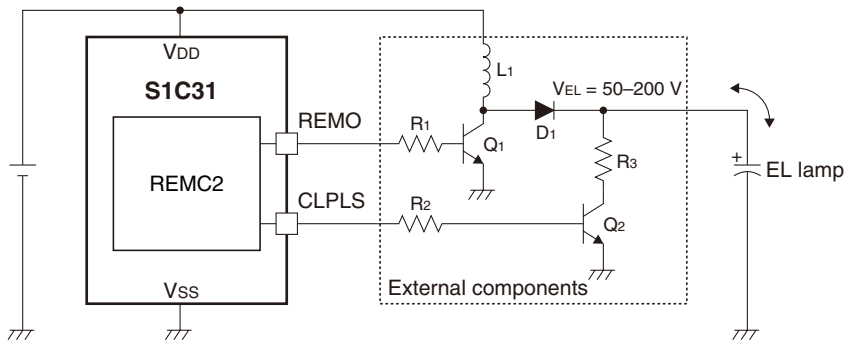


Figure 19.6.1 Example of EL Lamp Drive Circuit

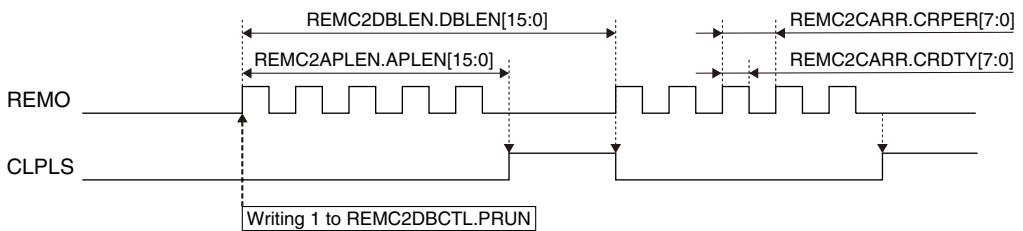


Figure 19.6.2 Example of Generated Drive Waveform

The REMO and CLPLS signals are output from the respective pins while the REMC2DBCTL.PRUN bit = 1. The difference between the setting values of the REMC2DBLEN.DBLEN[15:0] bits and REMC2APLEN.APLEN[15:0] bits becomes the CLPLS pulse width (high period).

19.7 Control Registers

REMC2 Clock Control Register

Register name	Bit	Bit name	Initial	Reset	R/W	Remarks
REMC2CLK	15-9	-	0x00	-	R	-
	8	DBRUN	0	H0	R/W	
	7-4	CLKDIV[3:0]	0x0	H0	R/W	
	3-2	-	0x0	-	R	
	1-0	CLKSRC[1:0]	0x0	H0	R/W	

Bits 15-9 Reserved

Bit 8 DBRUN

This bit sets whether the REMC2 operating clock is supplied during debugging or not.

1 (R/W): Clock supplied during debugging

0 (R/W): No clock supplied during debugging

Bits 7-4 CLKDIV[3:0]

These bits select the division ratio of the REMC2 operating clock.

Bits 3-2 Reserved

Bits 1–0 CLKSRC[1:0]

These bits select the clock source of the REMC2.

Table 19.7.1 Clock Source and Division Ratio Settings

REMC2CLK. CLKDIV[3:0] bits	REMC2CLK.CLKSRC[1:0] bits			
	0x0	0x1	0x2	0x3
	IOSC	OSC1	OSC3	EXOSC
0xf	1/32,768	1/1	1/32,768	1/1
0xe	1/16,384		1/16,384	
0xd	1/8,192		1/8,192	
0xc	1/4,096		1/4,096	
0xb	1/2,048		1/2,048	
0xa	1/1,024		1/1,024	
0x9	1/512		1/512	
0x8	1/256	1/256	1/256	
0x7	1/128	1/128	1/128	
0x6	1/64	1/64	1/64	
0x5	1/32	1/32	1/32	
0x4	1/16	1/16	1/16	
0x3	1/8	1/8	1/8	
0x2	1/4	1/4	1/4	
0x1	1/2	1/2	1/2	
0x0	1/1	1/1	1/1	

(Note) The oscillation circuits/external input that are not supported in this IC cannot be selected as the clock source.

Note: The REMC2CLK register settings can be altered only when the REMC2DBCTL.MODEN bit = 0.

REMC2 Data Bit Counter Control Register

Register name	Bit	Bit name	Initial	Reset	R/W	Remarks
REMC2DBCTL	15–10	–	0x00	–	R	–
	9	PRESET	0	H0/S0	R/W	Cleared by writing 1 to the REMC2DBCTL.REMCRST bit.
	8	PRUN	0	H0/S0	R/W	
	7–5	–	0x0	–	R	–
	4	REMOINV	0	H0	R/W	
	3	BUFEN	0	H0	R/W	
	2	TRMD	0	H0	R/W	
	1	REMCRST	0	H0	W	
	0	MODEN	0	H0	R/W	

Bits 15–10 Reserved**Bit 9 PRESET**

This bit resets the internal counters (16-bit counter for data signal generation and 8-bit counter for carrier generation).

1 (W): Reset

0 (W): Ineffective

1 (R): Resetting in progress

0 (R): Resetting finished or normal operation

Before the counter can be reset using this bit, the REMC2DBCTL.MODEN bit must be set to 1.

This bit is cleared to 0 after the counter reset operation has finished or when 1 is written to the REMC2DBCTL.REMCRST bit.

Bit 8 PRUN

This bit starts/stops counting by the internal counters (16-bit counter for data signal generation and 8-bit counter for carrier generation).

1 (W): Start counting

0 (W): Stop counting

1 (R): Counting

0 (R): Idle

Before the counter can start counting by this bit, the REMC2DBCTL.MODEN bit must be set to 1. While the counter is running, writing 0 to the REMC2DBCTL.PRUN bit stops count operations. When the counter stops by occurrence of a compare DB in one-shot mode, this bit is automatically cleared to 0.

Bits 7–5 Reserved

Bit 4 REMOINV

This bit inverts the REMO output signal.

1 (R/W): Inverted

0 (R/W): Non-inverted

For more information, see Figure 19.4.3.1.

Bit 3 BUFEN

This bit enables or disables the compare buffers.

1 (R/W): Enable

0 (R/W): Disable

For more information, refer to “Continuous Data Transmission and Compare Buffers.”

Note: The REMC2DBCTL.BUFEN bit must be set to 0 when setting the data signal duty and cycle for the first time.

Bit 2 TRMD

This bit selects the operation mode of the 16-bit counter for data signal generation.

1 (R/W): One-shot mode

0 (R/W): Repeat mode

For more information, refer to “REMO Output Waveform, Data signal.”

Bit 1 REMCRST

This bit issues software reset to the REMC2.

1 (W): Issue software reset

0 (W): Ineffective

1 (R): Software reset is executing.

0 (R): Software reset has finished. (During normal operation)

Setting this bit resets the REMC2 internal counters and interrupt flags. This bit is automatically cleared after the reset processing has finished.

Note: After the data signal is output in one-shot mode, set the REMC2DBCTL.REMCRST bit to 1.

Bit 0 MODEN

This bit enables the REMC2 operations.

1 (R/W): Enable REMC2 operations (The operating clock is supplied.)

0 (R/W): Disable REMC2 operations (The operating clock is stopped.)

Note: If the REMC2DBCTL.MODEN bit is altered from 1 to 0 while sending data, the data being sent cannot be guaranteed. When setting the REMC2DBCTL.MODEN bit to 1 again after that, be sure to write 1 to the REMC2DBCTL.REMCRST bit as well.

REMC2 Data Bit Counter Register

Register name	Bit	Bit name	Initial	Reset	R/W	Remarks
REMC2DBCNT	15–0	DBCNT[15:0]	0x0000	H0/S0	R	Cleared by writing 1 to the REMC2DBCTL.REMCRST bit.

Bits 15–0 DBCNT[15:0]

The current value of the 16-bit counter for data signal generation can be read out through these bits.

REMC2 Data Bit Active Pulse Length Register

Register name	Bit	Bit name	Initial	Reset	R/W	Remarks
REMC2APLEN	15–0	APLEN[15:0]	0x0000	H0	R/W	Writing enabled when REMC2DBCTL.MODEN bit = 1.

Bits 15–0 APLEN[15:0]

These bits set the active pulse length of the data signal (high period when the REMC2DBCTL.REMOINV bit = 0 or low period when the REMC2DBCTL.REMOINV bit = 1).

The REMO pin output is set to the active level from the 16-bit counter for data signal generation = 0x0000 and it is inverted to the inactive level when the counter exceeds the REMC2APLEN.APLEN[15:0] bit-setting value. The data signal duty ratio is determined by this setting and the REMC2DBLEN.DBLEN[15:0] bit-setting. (See Figure 19.4.3.3.)

Before this register can be rewritten, the REMC2DBCTL.MODEN bit must be set to 1.

REMC2 Data Bit Length Register

Register name	Bit	Bit name	Initial	Reset	R/W	Remarks
REMC2DBLEN	15–0	DBLEN[15:0]	0x0000	H0	R/W	Writing enabled when REMC2DBCTL.MODEN bit = 1.

Bits 15–0 DBLEN[15:0]

These bits set the data length of the data signal (length of one cycle).

A data signal cycle begins with the 16-bit counter for data signal generation = 0x0000 and ends when the counter exceeds the REMC2DBLEN.DBLEN[15:0] bit-setting value. (See Figure 19.4.3.3.)

Before this register can be rewritten, the REMC2DBCTL.MODEN bit must be set to 1.

REMC2 Status and Interrupt Flag Register

Register name	Bit	Bit name	Initial	Reset	R/W	Remarks
REMC2INTF	15–11	–	0x00	–	R	–
	10	DBCNTRUN	0	H0/S0	R	Cleared by writing 1 to the REMC2DBCTL.REMCRST bit.
	9	DBLENBSY	0	H0	R	Effective when the REMC2DBCTL.BUFEN bit = 1.
	8	APLENBSY	0	H0	R	Effective when the REMC2DBCTL.BUFEN bit = 1.
	7–2	–	0x00	–	R	–
	1	DBIF	0	H0/S0	R/W	Cleared by writing 1 to this bit or the REMC2DBCTL.REMCRST bit.
	0	APIF	0	H0/S0	R/W	Cleared by writing 1 to this bit or the REMC2DBCTL.REMCRST bit.

Bits 15–11 Reserved

Bit 10 DBCNTRUN

This bit indicates whether the 16-bit counter for data signal generation is running or not. (See Figure 19.4.4.1.)

1 (R): Running (Counting)

0 (R): Idle

Bit 9 DBLENBSY

This bit indicates whether the value written to the REMC2DBLEN.DBLEN[15:0] bits is transferred to the REMC2DBLEN buffer or not. (See Figure 19.4.4.1.)

1 (R): Transfer to the REMC2DBLEN buffer has not completed.

0 (R): Transfer to the REMC2DBLEN buffer has completed.

While this bit is set to 1, writing to the REMC2DBLEN.DBLEN[15:0] bits is ineffective.

Bit 8 APLENBSY

This bit indicates whether the value written to the REMC2APLEN.APLEN[15:0] bits is transferred to the REMC2APLEN buffer or not. (See Figure 19.4.4.1.)

1 (R): Transfer to the REMC2APLEN buffer has not completed.

0 (R): Transfer to the REMC2APLEN buffer has completed.

While this bit is set to 1, writing to the REMC2APLEN.APLEN[15:0] bits is ineffective.

Bits 7–2 Reserved

Bit 1 DBIF

Bit 0 APIF

These bits indicate the REMC2 interrupt cause occurrence status.

1 (R): Cause of interrupt occurred

0 (R): No cause of interrupt occurred

1 (W): Clear flag

0 (W): Ineffective

The following shows the correspondence between the bit and interrupt:

REMC2INTF.DBIF bit: Compare DB interrupt

REMC2INTF.APIF bit: Compare AP interrupt

These interrupt flags are also cleared to 0 when 1 is written to the REMC2DBCTL.REMCRST bit.

REMC2 Interrupt Enable Register

Register name	Bit	Bit name	Initial	Reset	R/W	Remarks
REMC2INTE	15–8	–	0x00	–	R	–
	7–2	–	0x00	–	R	
	1	DBIE	0	H0	R/W	
	0	APIE	0	H0	R/W	

Bits 15–2 Reserved

Bit 1 DBIE

Bit 0 APIE

These bits enable REMC2 interrupts.

1 (R/W): Enable interrupts

0 (R/W): Disable interrupts

The following shows the correspondence between the bit and interrupt:

REMC2INTE.DBIE bit: Compare DB interrupt

REMC2INTE.APIE bit: Compare AP interrupt

REMC2 Carrier Waveform Register

Register name	Bit	Bit name	Initial	Reset	R/W	Remarks
REMC2CARR	15–8	CRDTY[7:0]	0x00	H0	R/W	–
	7–0	CRPER[7:0]	0x00	H0	R/W	

Bits 15–8 CRDTY[7:0]

These bits set the high level period of the carrier signal.

The carrier signal is set to high level from the 8-bit counter for carrier generation = 0x00 and it is inverted to low level when the counter exceeds the REMC2CARR.CRDTY[7:0] bit-setting value. The carrier signal duty ratio is determined by this setting and the REMC2CARR.CRPER[7:0] bit-setting. (See Figure 19.4.3.2.)

Bits 7–0 CRPER[7:0]

These bits set the carrier signal cycle.

A carrier signal cycle begins with the 8-bit counter for carrier generation = 0x00 and ends when the counter exceeds the REMC2CARR.CRPER[7:0] bit-setting value. (See Figure 19.4.3.2.)

REMC2 Carrier Modulation Control Register

Register name	Bit	Bit name	Initial	Reset	R/W	Remarks
REMC2CCTL	15–8	–	0x00	–	R	–
	7–1	–	0x00	–	R	
	0	CARREN	0	H0	R/W	

19 IR REMOTE CONTROLLER (REMC2)

Bits 15–1 Reserved

Bit 0 **CARREN**

This bit enables carrier modulation.

1 (R/W): Enable carrier modulation

0 (R/W): Disable carrier modulation (output data signal only)

Note: When carrier modulation is disabled, the REMC2DBCTL.REMOINV bit should be set to 0.

20 LCD Driver (LCD32B)

20.1 Overview

LCD32B is an LCD driver to drive an LCD panel. The features of the LCD32B are listed below.

- The frame frequency is configurable into 32 steps.
- Provides all on, all off, and inverse display functions as well as normal display.
- The segment and common pin assignments can be inverted.
- Provides a partial common output drive function.
- Provides an n-segment-line inverse AC drive function.
- The LCD contrast is adjustable into 16 steps.
- Includes a power supply for 1/4 or 1/5 bias driving (allows external voltages to be applied).
- Provides the frame signal monitoring output pin.
- Can generate interrupts every frame.

Figure 20.1.1 shows the LCD32B configuration.

Table 20.1.1 LCD32B Configuration of S1C31W74

Item	S1C31W74
Number of segments supported	Max. 1,408 segments (88 segments × 16 commons) Max. 1,920 segments (80 segments × 24 commons) Max. 2,304 segments (72 segments × 32 commons)
SEG/COM outputs	88SEG × 1–16COM, 80SEG × 17–24COM, 72SEG × 25–32COM
Drive bias	1/4 or 1/5 bias
Embedded display data RAM	704 bytes

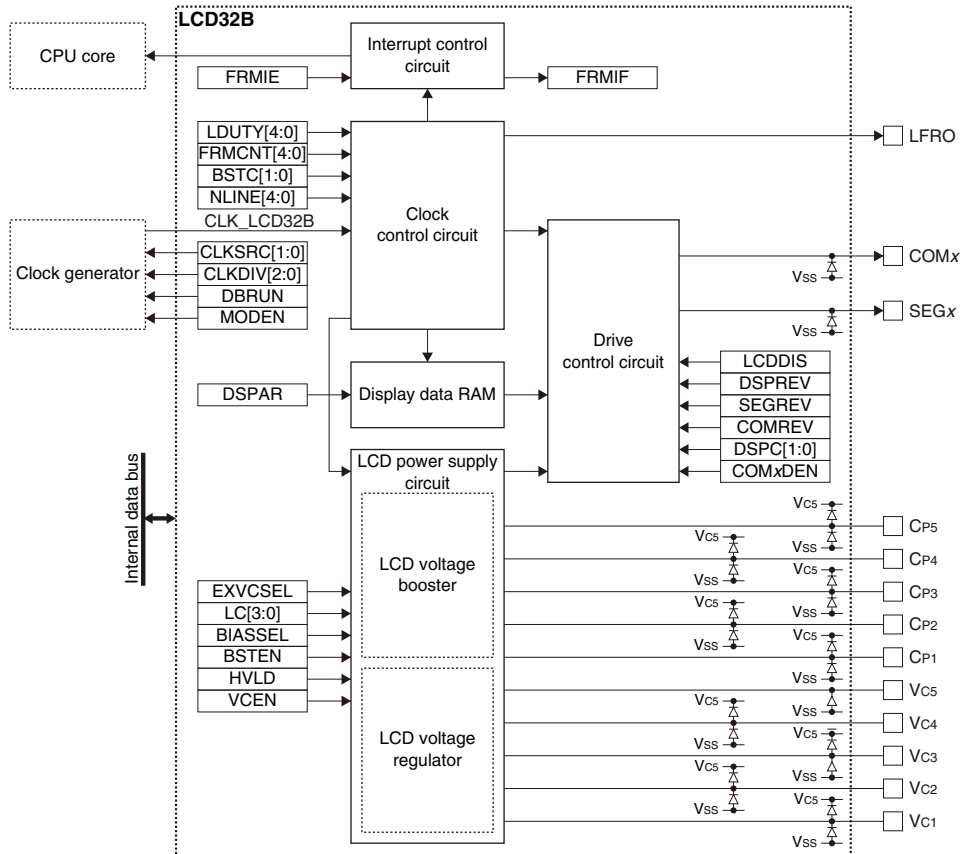


Figure 20.1.1 LCD32B Configuration

20.2 Output Pins and External Connections

20.2.1 List of Output Pins

Table 20.2.1.1 lists the LCD32B pins.

Table 20.2.1.1 List of LCD32B Pins

Pin name	I/O*1	Initial status*1	Function
SEG0-9	O	O (L)	General-purpose IO/segment data output pin
SEG10-55	O	Hi-Z / O (L)*2	Segment data output-only pin
SEG56-71	O	O (L)	General-purpose IO/segment data output pin
COM15-0	O	Hi-Z / O (L)*2	Common data output-only pin
COM16-31/SEG87-72	O	O (L)	General purpose IO/common data output/segment data output pins
LFRO	O	O (L)	Frame signal monitoring output pin
VC1	P	-	LCD panel drive power supply pin
VC2	P	-	LCD panel drive power supply pin
VC3	P	-	LCD panel drive power supply pin
VC4	P	-	LCD panel drive power supply pin
VC5	P	-	LCD panel drive power supply pin
CP1	A	-	LCD voltage booster capacitor connecting pin
CP2	A	-	LCD voltage booster capacitor connecting pin
CP3	A	-	LCD voltage booster capacitor connecting pin
CP4	A	-	LCD voltage booster capacitor connecting pin
CP5	A	-	LCD voltage booster capacitor connecting pin

*1: Indicates the status when the pin is configured for LCD32B. *2: When LCD32BCTL.LCDDIS bit = 1

If the port is shared with the LCD32B pin and other functions, the LCD32B output function must be assigned to the port before activating the LCD32B. For more information, refer to the “I/O Ports” chapter.

Note: Be sure to avoid using the VC1 to VC5 pin outputs for driving external circuits.

20.2.2 External Connections

Figure 20.2.2.1 shows a connection diagram between LCD32B and an LCD panel.

Note: When the panel is connected, the LCD32BCTL.LCDDIS bit must be set to 1 to bias the panel even if display is turned off.

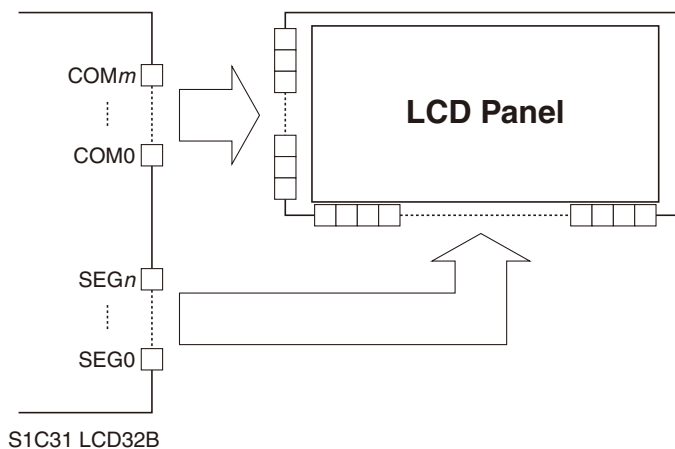


Figure 20.2.2.1 Connections between LCD32B and an LCD Panel

20.3 Clock Settings

20.3.1 LCD32B Operating Clock

When using LCD32B, the LCD32B operating clock CLK_LCD32B must be supplied to LCD32B from the clock generator. The CLK_LCD32B supply should be controlled as in the procedure shown below.

1. Enable the clock source in the clock generator if it is stopped (refer to “Clock Generator” in the “Power Supply, Reset, and Clocks” chapter).
2. Set the following LCD32BCLK register bits:
 - LCD32BCLK.CLKSRC[1:0] bits (Clock source selection)
 - LCD32BCLK.CLKDIV[2:0] bits (Clock division ratio selection = Clock frequency setting)

The CLK_LCD32B frequency should be set to around 32 kHz.

20.3.2 Clock Supply in SLEEP Mode

When using LCD32B during SLEEP mode, the LCD32B operating clock CLK_LCD32B must be configured so that it will keep supplying by writing 0 to the CLGOSC.xxxxSLPC bit for the CLK_LCD32B clock source.

20.3.3 Clock Supply During Debugging

The CLK_LCD32B supply during debugging should be controlled using the LCD32BCLK.DBRUN bit.

The CLK_LCD32B supply to LCD32B is suspended when the CPU enters debug state if the LCD32BCLK.DBRUN bit = 0. After the CPU returns to normal operation, the CLK_LCD32B supply resumes. Although LCD32B stops operating and the display is turned off when the CLK_LCD32B supply is suspended, the registers retain the status before debug state was entered. If the LCD32BCLK.DBRUN bit = 1, the CLK_LCD32B supply is not suspended and LCD32B will keep operating in debug state.

20.3.4 Frame Frequency

The LCD32B frame signal is generated by dividing CLK_LCD32B. The frame frequency is determined by selecting a division ratio from 32 variations depending on the drive duty using the LCD32BTIM1.FRMCNT[4:0] bits. Use the following equation to calculate the frame frequency.

$$f_{FR} = \frac{f_{CLK_LCD32B}}{8 \times (FRMCNT + 1) \times (LDUTY + 1)} \quad (\text{Eq. 20.1})$$

Where

- f_{FR} : Frame frequency [Hz]
 f_{CLK_LCD32B} : LCD32B operating clock frequency [Hz]
 FRMCNT: LCD32BTIM1.FRMCNT[4:0] setting value (0 to 31)
 LDUTY: LCD32BTIM1.LDUTY[4:0] setting value (0 to 23)

Table 20.3.4.1 lists frame frequency settings when $f_{CLK_LCD32B} = 32,768$ Hz as an example.

Table 20.3.4.1 Frame Frequency Settings (when $f_{CLK_LCD32B} = 32,768$ Hz)

LCD32BTIM1. FRMCNT[4:0] bits	Frame frequency [Hz]							
	1/8 duty	1/7 duty	1/6 duty	1/5 duty	1/4 duty	1/3 duty	1/2 duty	Static
0x1f	16.0	18.3	21.3	25.6	32.0	42.7	64.0	128.0
0x1e	16.5	18.9	22.0	26.4	33.0	44.0	66.1	132.1
0x1d	17.1	19.5	22.8	27.3	34.1	45.5	68.3	136.5
0x1c	17.7	20.2	23.5	28.2	35.3	47.1	70.6	141.2
0x1b	18.3	20.9	24.4	29.3	36.6	48.8	73.1	146.3
0x1a	19.0	21.7	25.3	30.3	37.9	50.6	75.9	151.7
0x19	19.7	22.5	26.3	31.5	39.4	52.5	78.8	157.5
0x18	20.5	23.4	27.3	32.8	41.0	54.6	81.9	163.8
0x17	21.3	24.4	28.4	34.1	42.7	56.9	85.3	170.7
0x16	22.3	25.4	29.7	35.6	44.5	59.4	89.0	178.1

20 LCD DRIVER (LCD32B)

LCD32BTIM1. FRMCNT[4:0] bits	Frame frequency [Hz]							
	1/8 duty	1/7 duty	1/6 duty	1/5 duty	1/4 duty	1/3 duty	1/2 duty	Static
0x15	23.3	26.6	31.0	37.2	46.5	62.1	93.1	186.2
0x14	24.4	27.9	32.5	39.0	48.8	65.0	97.5	195.0
0x13	25.6	29.3	34.1	41.0	51.2	68.3	102.4	204.8
0x12	26.9	30.8	35.9	43.1	53.9	71.9	107.8	215.6
0x11	28.4	32.5	37.9	45.5	56.9	75.9	113.8	227.6
0x10	30.1	34.4	40.2	48.2	60.2	80.3	120.5	240.9
0x0f	32.0	36.6	42.7	51.2	64.0	85.3	128.0	256.0
0x0e	34.1	39.0	45.5	54.6	68.3	91.0	136.5	273.1
0x0d	36.6	41.8	48.8	58.5	73.1	97.5	146.3	292.6
0x0c	39.4	45.0	52.5	63.0	78.8	105.0	157.5	315.1
0x0b	42.7	48.8	56.9	68.3	85.3	113.8	170.7	341.3
0x0a	46.5	53.2	62.1	74.5	93.1	124.1	186.2	372.4
0x09	51.2	58.5	68.3	81.9	102.4	136.5	204.8	409.6
0x08	56.9	65.0	75.9	91.0	113.8	151.7	227.6	455.1
0x07	64.0	73.1	85.3	102.4	128.0	170.7	256.0	512.0
0x06	73.1	83.6	97.5	117.0	146.3	195.0	292.6	585.1
0x05	85.3	97.5	113.8	136.5	170.7	227.6	341.3	682.7
0x04	102.4	117.0	136.5	163.8	204.8	273.1	409.6	819.2
0x03	128.0	146.3	170.7	204.8	256.0	341.3	512.0	1,024.0
0x02	170.7	195.0	227.6	273.1	341.3	455.1	682.7	1,365.3
0x01	256.0	292.6	341.3	409.6	512.0	682.7	1,024.0	2,048.0
0x00	512.0	585.1	682.7	819.2	1,024.0	1,365.3	2,048.0	4,096.0

LCD32BTIM1. FRMCNT[4:0] bits	Frame frequency [Hz]							
	1/16 duty	1/15 duty	1/14 duty	1/13 duty	1/12 duty	1/11 duty	1/10 duty	1/9 duty
0x1f	8.0	8.5	9.1	9.8	10.7	11.6	12.8	14.2
0x1e	8.3	8.8	9.4	10.2	11.0	12.0	13.2	14.7
0x1d	8.5	9.1	9.8	10.5	11.4	12.4	13.7	15.2
0x1c	8.8	9.4	10.1	10.9	11.8	12.8	14.1	15.7
0x1b	9.1	9.8	10.4	11.3	12.2	13.3	14.6	16.3
0x1a	9.5	10.1	10.8	11.7	12.6	13.8	15.2	16.9
0x19	9.8	10.5	11.3	12.1	13.1	14.3	15.8	17.5
0x18	10.2	10.9	11.7	12.6	13.7	14.9	16.4	18.2
0x17	10.7	11.4	12.2	13.1	14.2	15.5	17.1	19.0
0x16	11.1	11.9	12.7	13.7	14.8	16.2	17.8	19.8
0x15	11.6	12.4	13.3	14.3	15.5	16.9	18.6	20.7
0x14	12.2	13.0	13.9	15.0	16.3	17.7	19.5	21.7
0x13	12.8	13.7	14.6	15.8	17.1	18.6	20.5	22.8
0x12	13.5	14.4	15.4	16.6	18.0	19.6	21.6	24.0
0x11	14.2	15.2	16.3	17.5	19.0	20.7	22.8	25.3
0x10	15.1	16.1	17.2	18.5	20.1	21.9	24.1	26.8
0x0f	16.0	17.1	18.3	19.7	21.3	23.3	25.6	28.4
0x0e	17.1	18.2	19.5	21.0	22.8	24.8	27.3	30.3
0x0d	18.3	19.5	20.9	22.5	24.4	26.6	29.3	32.5
0x0c	19.7	21.0	22.5	24.2	26.3	28.6	31.5	35.0
0x0b	21.3	22.8	24.4	26.3	28.4	31.0	34.1	37.9
0x0a	23.3	24.8	26.6	28.6	31.0	33.9	37.2	41.4
0x09	25.6	27.3	29.3	31.5	34.1	37.2	41.0	45.5
0x08	28.4	30.3	32.5	35.0	37.9	41.4	45.5	50.6
0x07	32.0	34.1	36.6	39.4	42.7	46.5	51.2	56.9
0x06	36.6	39.0	41.8	45.0	48.8	53.2	58.5	65.0
0x05	42.7	45.5	48.8	52.5	56.9	62.1	68.3	75.9
0x04	51.2	54.6	58.5	63.0	68.3	74.5	81.9	91.0
0x03	64.0	68.3	73.1	78.8	85.3	93.1	102.4	113.8
0x02	85.3	91.0	97.5	105.0	113.8	124.1	136.5	151.7
0x01	128.0	136.5	146.3	157.5	170.7	186.2	204.8	227.6
0x00	256.0	273.1	292.6	315.1	341.3	372.4	409.6	455.1

LCD32BTIM1. FRMCNT[4:0] bits	Frame frequency [Hz]							
	1/24 duty	1/23 duty	1/22 duty	1/21 duty	1/20 duty	1/19 duty	1/18 duty	1/17 duty
0x1f	5.3	5.6	5.8	6.1	6.4	6.7	7.1	7.5
0x1e	5.5	5.7	6.0	6.3	6.6	7.0	7.3	7.8
0x1d	5.7	5.9	6.2	6.5	6.8	7.2	7.6	8.0
0x1c	5.9	6.1	6.4	6.7	7.1	7.4	7.8	8.3
0x1b	6.1	6.4	6.6	7.0	7.3	7.7	8.1	8.6
0x1a	6.3	6.6	6.9	7.2	7.6	8.0	8.4	8.9
0x19	6.6	6.8	7.2	7.5	7.9	8.3	8.8	9.3
0x18	6.8	7.1	7.4	7.8	8.2	8.6	9.1	9.6
0x17	7.1	7.4	7.8	8.1	8.5	9.0	9.5	10.0
0x16	7.4	7.7	8.1	8.5	8.9	9.4	9.9	10.5
0x15	7.8	8.1	8.5	8.9	9.3	9.8	10.3	11.0
0x14	8.1	8.5	8.9	9.3	9.8	10.3	10.8	11.5
0x13	8.5	8.9	9.3	9.8	10.2	10.8	11.4	12.0
0x12	9.0	9.4	9.8	10.3	10.8	11.3	12.0	12.7
0x11	9.5	9.9	10.3	10.8	11.4	12.0	12.6	13.4
0x10	10.0	10.5	11.0	11.5	12.0	12.7	13.4	14.2
0x0f	10.7	11.1	11.6	12.2	12.8	13.5	14.2	15.1
0x0e	11.4	11.9	12.4	13.0	13.7	14.4	15.2	16.1
0x0d	12.2	12.7	13.3	13.9	14.6	15.4	16.3	17.2
0x0c	13.1	13.7	14.3	15.0	15.8	16.6	17.5	18.5
0x0b	14.2	14.8	15.5	16.3	17.1	18.0	19.0	20.1
0x0a	15.5	16.2	16.9	17.7	18.6	19.6	20.7	21.9
0x09	17.1	17.8	18.6	19.5	20.5	21.6	22.8	24.1
0x08	19.0	19.8	20.7	21.7	22.8	24.0	25.3	26.8
0x07	21.3	22.3	23.3	24.4	25.6	26.9	28.4	30.1
0x06	24.4	25.4	26.6	27.9	29.3	30.8	32.5	34.4
0x05	28.4	29.7	31.0	32.5	34.1	35.9	37.9	40.2
0x04	34.1	35.6	37.2	39.0	41.0	43.1	45.5	48.2
0x03	42.7	44.5	46.5	48.8	51.2	53.9	56.9	60.2
0x02	56.9	59.4	62.1	65.0	68.3	71.9	75.9	80.3
0x01	85.3	89.0	93.1	97.5	102.4	107.8	113.8	120.5
0x00	170.7	178.1	186.2	195.0	204.8	215.6	227.6	240.9

LCD32BTIM1. FRMCNT[4:0] bits	Frame frequency [Hz]							
	1/32 duty	1/31 duty	1/30 duty	1/29 duty	1/28 duty	1/27 duty	1/26 duty	1/25 duty
0x1f	4.0	4.1	4.3	4.4	4.6	4.7	4.9	5.1
0x1e	4.1	4.3	4.4	4.6	4.7	4.9	5.1	5.3
0x1d	4.3	4.4	4.6	4.7	4.9	5.1	5.3	5.5
0x1c	4.4	4.6	4.7	4.9	5.0	5.2	5.4	5.6
0x1b	4.6	4.7	4.9	5.0	5.2	5.4	5.6	5.9
0x1a	4.7	4.9	5.1	5.2	5.4	5.6	5.8	6.1
0x19	4.9	5.1	5.3	5.4	5.6	5.8	6.1	6.3
0x18	5.1	5.3	5.5	5.6	5.9	6.1	6.3	6.6
0x17	5.3	5.5	5.7	5.9	6.1	6.3	6.6	6.8
0x16	5.6	5.7	5.9	6.1	6.4	6.6	6.8	7.1
0x15	5.8	6.0	6.2	6.4	6.6	6.9	7.2	7.4
0x14	6.1	6.3	6.5	6.7	7.0	7.2	7.5	7.8
0x13	6.4	6.6	6.8	7.1	7.3	7.6	7.9	8.2
0x12	6.7	7.0	7.2	7.4	7.7	8.0	8.3	8.6
0x11	7.1	7.3	7.6	7.8	8.1	8.4	8.8	9.1
0x10	7.5	7.8	8.0	8.3	8.6	8.9	9.3	9.6
0x0f	8.0	8.3	8.5	8.8	9.1	9.5	9.8	10.2
0x0e	8.5	8.8	9.1	9.4	9.8	10.1	10.5	10.9
0x0d	9.1	9.4	9.8	10.1	10.4	10.8	11.3	11.7
0x0c	9.8	10.2	10.5	10.9	11.3	11.7	12.1	12.6
0x0b	10.7	11.0	11.4	11.8	12.2	12.6	13.1	13.7
0x0a	11.6	12.0	12.4	12.8	13.3	13.8	14.3	14.9
0x09	12.8	13.2	13.7	14.1	14.6	15.2	15.8	16.4
0x08	14.2	14.7	15.2	15.7	16.3	16.9	17.5	18.2

LCD32BTIM1. FRMCNT[4:0] bits	Frame frequency [Hz]							
	1/32 duty	1/31 duty	1/30 duty	1/29 duty	1/28 duty	1/27 duty	1/26 duty	1/25 duty
0x07	16.0	16.5	17.1	17.7	18.3	19.0	19.7	20.5
0x06	18.3	18.9	19.5	20.2	20.9	21.7	22.5	23.4
0x05	21.3	22.0	22.8	23.5	24.4	25.3	26.3	27.3
0x04	25.6	26.4	27.3	28.2	29.3	30.3	31.5	32.8
0x03	32.0	33.0	34.1	35.3	36.6	37.9	39.4	41.0
0x02	42.7	44.0	45.5	47.1	48.8	50.6	52.5	54.6
0x01	64.0	66.1	68.3	70.6	73.1	75.9	78.8	81.9
0x00	128.0	132.1	136.5	141.2	146.3	151.7	157.5	163.8

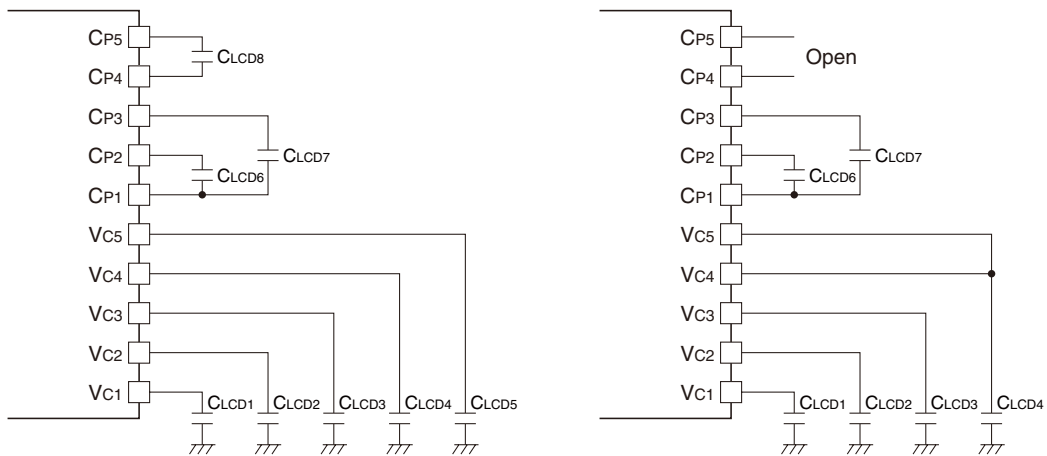
The frame signal can be monitored at the LFRO pin.

20.4 LCD Power Supply

The LCD drive voltages V_{C1} to V_{C5} can be generated by the internal LCD power supply circuit (LCD voltage regulator and LCD voltage booster). These voltages can also be applied from outside the IC.

20.4.1 Internal Generation Mode

This mode generates all the LCD drive voltages V_{C1} to V_{C5} on the chip. To put LCD32B into internal generation mode, set the LCD32BPWR.EXVCSEL bit to 0 and set both the LCD32BPWR.VCEN and LCD32BPWR.BSTEN bits to 1 to turn both the LCD voltage regulator and LCD voltage booster on. In addition to this, select either 1/4 bias or 1/5 bias using the LCD32BPWR.BIASSEL bit. Figure 20.4.1.1 shows an external connection example for internal generation mode.

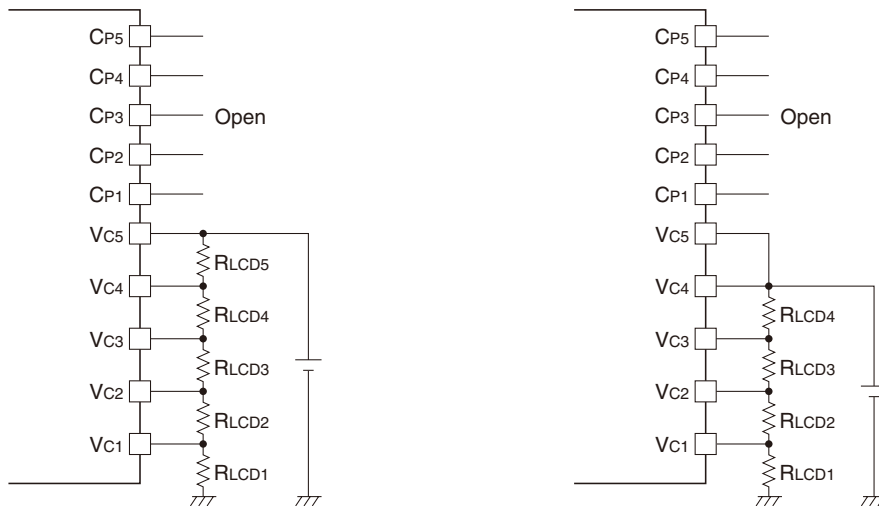


When 1/5 bias is selected (LCD32BPWR.BIASSEL bit = 0) When 1/4 bias is selected (LCD32BPWR.BIASSEL bit = 1)

Figure 20.4.1.1 External Connection Example for Internal Generation Mode

20.4.2 External Voltage Application Mode

In this mode, all the LCD drive voltages V_{C1} to V_{C5} are applied from outside the IC. To put LCD32B into external voltage application mode, set the LCD32BPWR.EXVCSEL bit to 1 and set both the LCD32BPWR.VCEN and LCD32BPWR.BSTEN bits to 0 to turn both the LCD voltage regulator and LCD voltage booster off. Figure 20.4.2.1 shows an external connection example for external voltage application mode.



When 1/5 bias is selected (LCD32BPWR.BIASSEL bit = 0) When 1/4 bias is selected (LCD32BPWR.BIASSEL bit = 1)

Figure 20.4.2.1 External Connection Example for External Voltage Application Mode (resistor divider)

20.4.3 LCD Voltage Regulator Settings

In internal generation mode, the LCD voltage regulator generates the reference voltage for the LCD voltage booster. By setting the LCD32BPWR.HVLD bit to 1, the LCD voltage regulator enters heavy load protection mode and ensures stable V_{C1} to V_{C5} outputs. Heavy load protection mode should be set when the display has inconsistencies in density. Current consumption increases in heavy load protection mode, therefore do not set heavy load protection mode if unnecessary.

20.4.4 LCD Voltage Booster Setting

Set the booster clock frequency used in the LCD voltage booster using the LCD32BTIM2.BSTC[1:0] bits. Set it to the frequency that provides the best V_{C1} – V_{C5} output stability after being evaluated using the actual circuit board.

20.4.5 LCD Contrast Adjustment

The LCD panel contrast can be adjusted within 16 levels using the LCD32BPWR.LC[3:0] bits. This function is realized by controlling the voltage output from the LCD voltage regulator. Therefore, the LCD32BPWR.LC[3:0] bits cannot be used for contrast adjustment in external voltage application mode.

20.5 Operations

20.5.1 Initialization

The LCD32B should be initialized with the procedure shown below.

1. Assign the LCD32B output function to the ports. (Refer to the “I/O Ports” chapter.)
2. Configure the LCD32BCLK.CLKSRC[1:0] and LCD32BCLK.CLKDIV[2:0] bits. (Configure operating clock)
3. Configure the following LCD32BCTL register bits:
 - Write 1 to the LCD32BCTL.MODEN bit. (Enable LCD32B operating clock)
 - Write 1 to the LCD32BCTL.LCDDIS bit. (Enable LCD driver pin discharge at display off)
4. Configure the following LCD32BTIM1 register bits:
 - LCD32BTIM1.LDUTY[4:0] bits (Set drive duty)
 - LCD32BTIM1.FRMCNT[4:0] bits (Set frame frequency)

5. Configure the following LCD32BTIM2 register bits:
 - LCD32BTIM2.NLINE[4:0] bits (Set n-line inverse AC drive)
 - LCD32BTIM2.BSTC[1:0] bits (Set booster clock frequency)
6. Configure the following LCD32BPWR register bits:
 - LCD32BPWR.VCEN bit (Enable LCD voltage regulator)
 - LCD32BPWR.BIASSEL bit (Set bias)
 - LCD32BPWR.BSTEN bit (Enable LCD voltage booster)
 - LCD32BPWR.LC[3:0] bits (Set LCD contrast initial value)
 - LCD32BPWR.EXVCSEL bit (Select external voltage application mode/internal generation mode)
7. Configure the following LCD32BDSP register bits:
 - LCD32BDSP.DSPAR bit (Select display area)
 - LCD32BDSP.COMREV bit (Select COM pin assignment direction)
 - LCD32BDSP.SEGREV bit (Select SEG pin assignment direction)
8. Write display data to the display data RAM.
9. Set the following bits when using the interrupt:
 - Write 1 to the LCD32BINTF.FRMI bit. (Clear interrupt flag)
 - Set the LCD32BINTE.FRMI bit to 1. (Enable LCD32B interrupt)

20.5.2 Display On/Off

The LCD display state is controlled using the LCD32BDSP.DSPC[1:0] bits.

Table 20.5.2.1 LCD Display Control

LCD32BDSP.DSPC[1:0] bits	LCD display
0x3	All off (static drive)
0x2	All on
0x1	Normal display
0x0	Display off

When “Display off” is selected, the drive voltage supply stops and the LCD driver pin outputs are all set to V_{ss} level.

Since “All on” and “All off” directly control the driving waveform output by the LCD driver, data in the display data RAM is not altered. The common pins are set to dynamic drive for “All on” and to static drive for “All off.” This function can be used to make the display flash on and off without altering the display memory.

20.5.3 Inverted Display

The LCD panel display can be inverted (black/white inversion) using merely control bit manipulation, without re-writing the display data RAM. Setting the LCD32BDSP.DSPREV bit to 0 inverts the display; setting it to 1 returns the display to normal status. Note that the display will not be inverted when the LCD32BDSP.DSPC[1:0] bits = 0x3 (All off).

20.5.4 Drive Duty Switching

Drive duty can be set to 1/32 to 1/2 or static drive using the LCD32BTIM1.LDUTY[4:0] bits. Table 20.5.4.1 shows the correspondence between the LCD32BTIM1.LDUTY[4:0] bit settings, drive duty, and maximum number of display segments.

Table 20.5.4.1 Drive Duty Settings

LCD32BTIM1. LDUTY[4:0] bits	Duty	Valid COM pins	Valid SEG pins	Max. number of display dots/segments
0x1f	1/32	COM0–COM31	SEG0–SEG71	2,304
0x1e	1/31	COM0–COM30		2,232
0x1d	1/30	COM0–COM29		2,160
0x1c	1/29	COM0–COM28		2,088
0x1b	1/28	COM0–COM27		2,016
0x1a	1/27	COM0–COM26		1,944
0x19	1/26	COM0–COM25		1,872
0x18	1/25	COM0–COM24		1,800
0x17	1/24	COM0–COM23	SEG0–SEG79	1,920
0x16	1/23	COM0–COM22		1,840
0x15	1/22	COM0–COM21		1,760
0x14	1/21	COM0–COM20		1,680
0x13	1/20	COM0–COM19		1,600
0x12	1/19	COM0–COM18		1,520
0x11	1/18	COM0–COM17		1,440
0x10	1/17	COM0–COM16		1,360
0x0f	1/16	COM0–COM15	SEG0–SEG87	1,408
0x0e	1/15	COM0–COM14		1,320
0x0d	1/14	COM0–COM13		1,232
0x0c	1/13	COM0–COM12		1,144
0x0b	1/12	COM0–COM11		1,056
0x0a	1/11	COM0–COM10		968
0x09	1/10	COM0–COM9		880
0x08	1/9	COM0–COM8		792
0x07	1/8	COM0–COM7		704
0x06	1/7	COM0–COM6		616
0x05	1/6	COM0–COM5		528
0x04	1/5	COM0–COM4		440
0x03	1/4	COM0–COM3		352
0x02	1/3	COM0–COM2		264
0x01	1/2	COM0–COM1		176
0x00	Static	COM0		88

Unused common pins output an OFF waveform that turns the segments off.

The some pins are shared with a SEG output and a COM output, and they are configured to the SEG or COM pin according to the drive duty selected.

Table 20.5.4.2 SEG/COM Pin Configuration

Pin	1/1 to 1/16 duty	1/17 to 1/24 duty	1/25 to 1/32 duty
COM0 to COM15	COM0 to COM15 *1	COM0 to COM15	COM0 to COM15
SEG0 to SEG71	SEG0 to SEG71	SEG0 to SEG71	SEG0 to SEG71
SEG72/COM31	SEG72	SEG72	COM31 *1
SEG73/COM30	SEG73	SEG73	COM30 *1
SEG74/COM29	SEG74	SEG74	COM29 *1
SEG75/COM28	SEG75	SEG75	COM28 *1
SEG76/COM27	SEG76	SEG76	COM27 *1
SEG77/COM26	SEG77	SEG77	COM26 *1
SEG78/COM25	SEG78	SEG78	COM25 *1
SEG79/COM24	SEG79	SEG79	COM24 *1
SEG80/COM23	SEG80	COM23 *1	COM23
SEG81/COM22	SEG81	COM22 *1	COM22
SEG82/COM21	SEG82	COM21 *1	COM21
SEG83/COM20	SEG83	COM20 *1	COM20
SEG84/COM19	SEG84	COM19 *1	COM19
SEG85/COM18	SEG85	COM18 *1	COM18
SEG86/COM17	SEG86	COM17 *1	COM17
SEG87/COM16	SEG87	COM16 *1	COM16

*1 The COM pins to be used depend on the drive duty selection. For more information, refer to "Drive Duty Switching."

20.5.5 Drive Waveforms

Figures 20.5.5.1 to 20.5.5.8 show drive waveform examples.

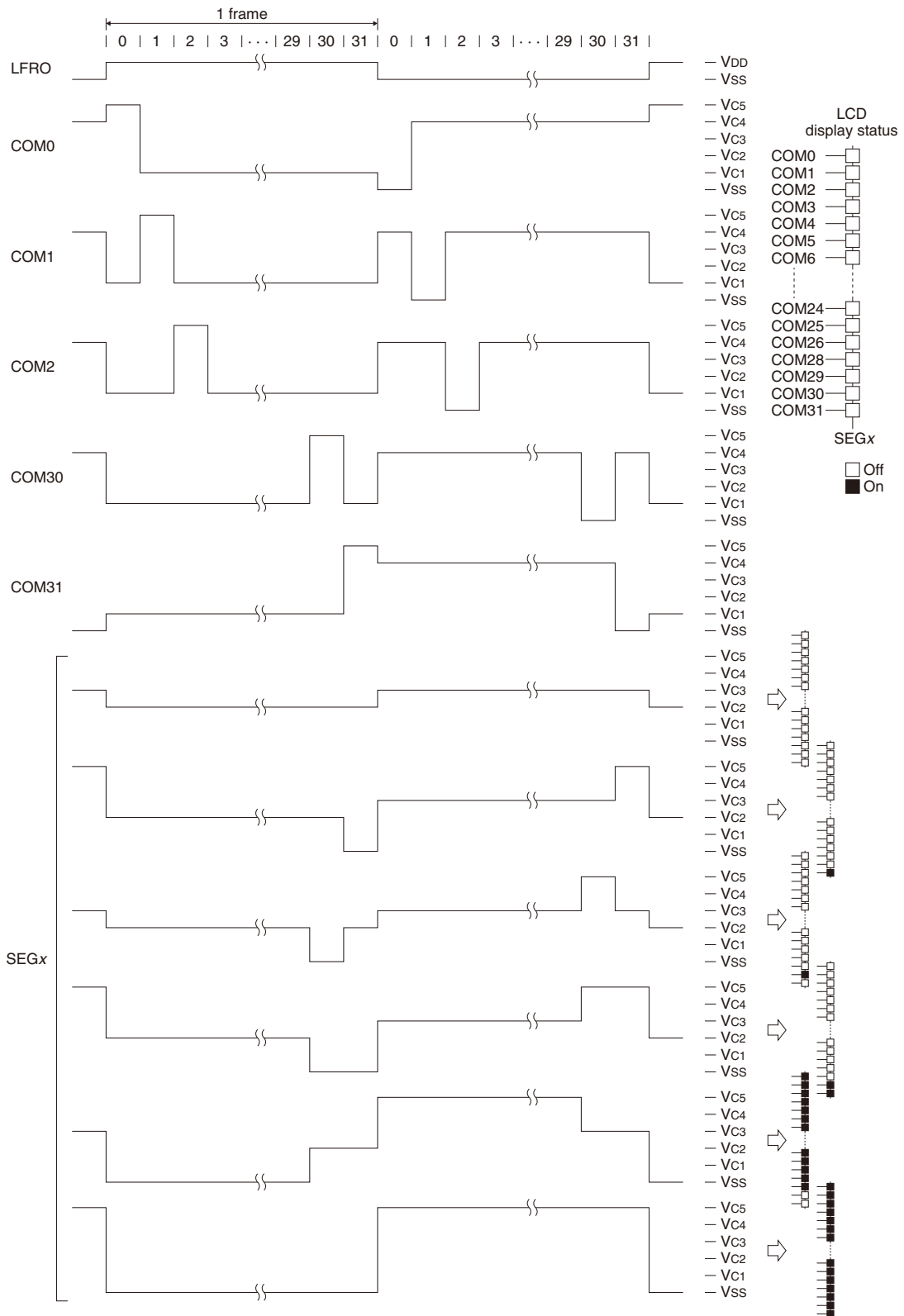


Figure 20.5.5.1 1/32 Duty Drive Waveform (1/5 bias)

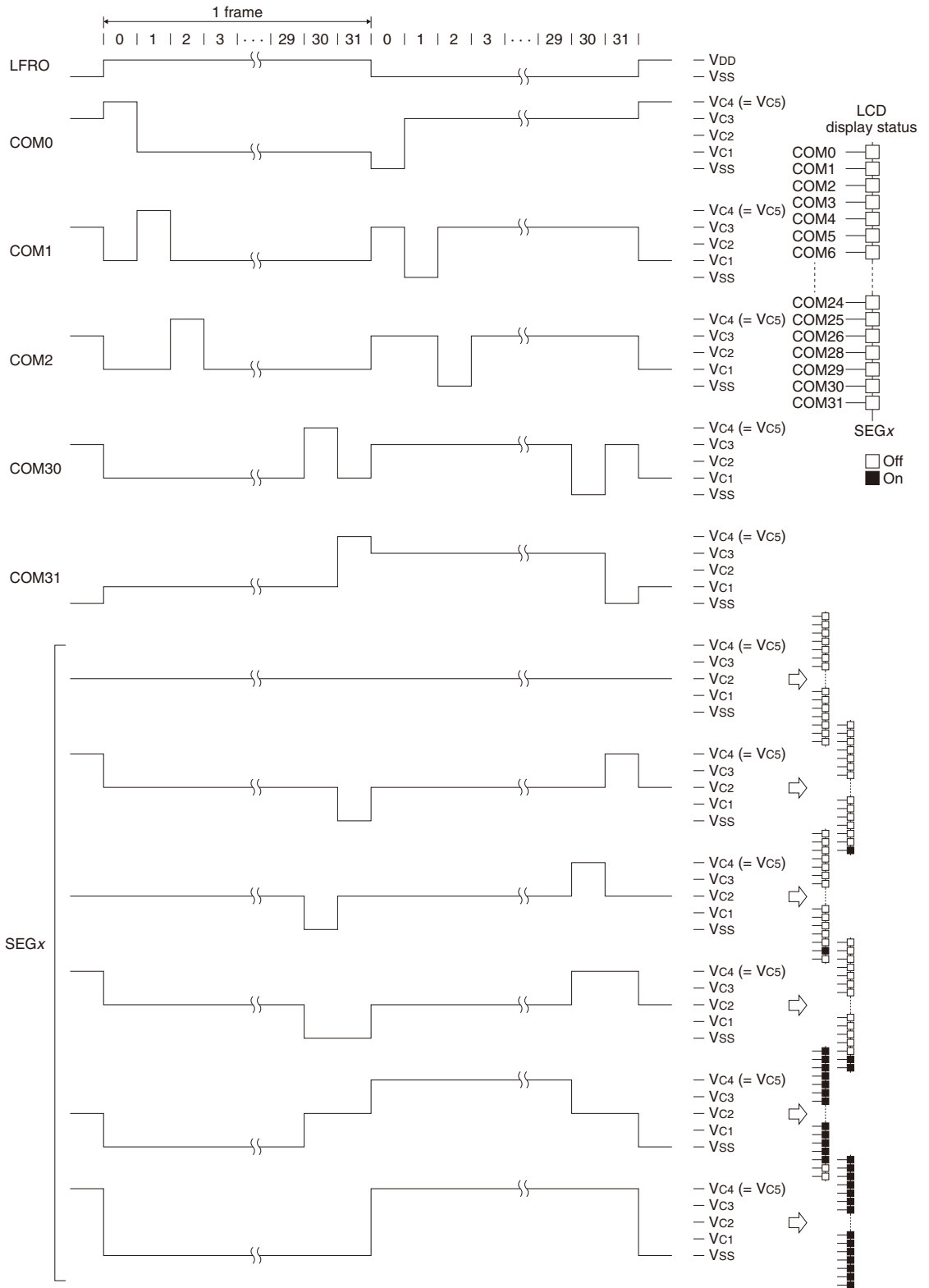


Figure 20.5.5.2 1/32 Duty Drive Waveform (1/4 bias)

20 LCD DRIVER (LCD32B)

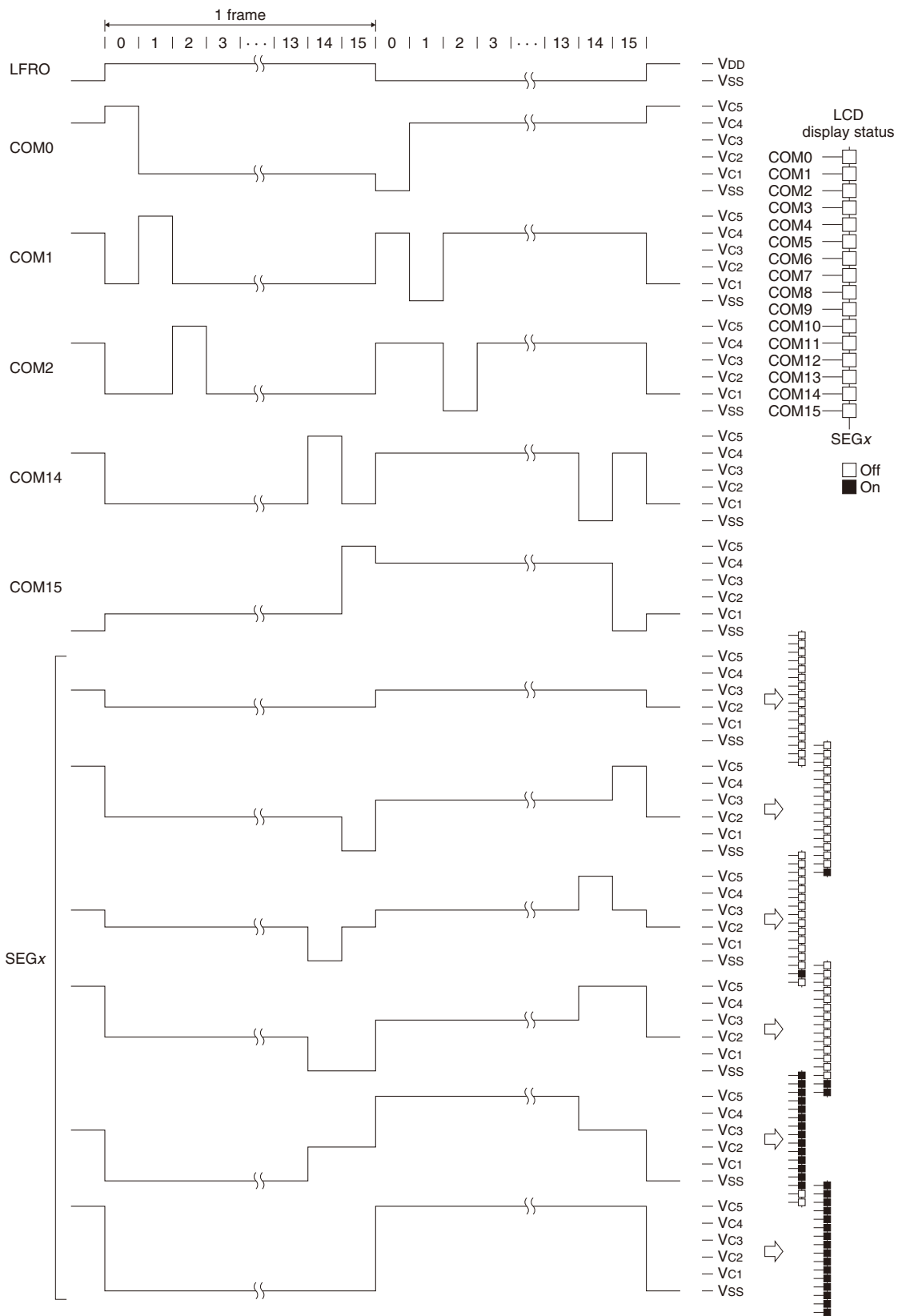


Figure 20.5.5.3 1/16 Duty Drive Waveform (1/5 bias)

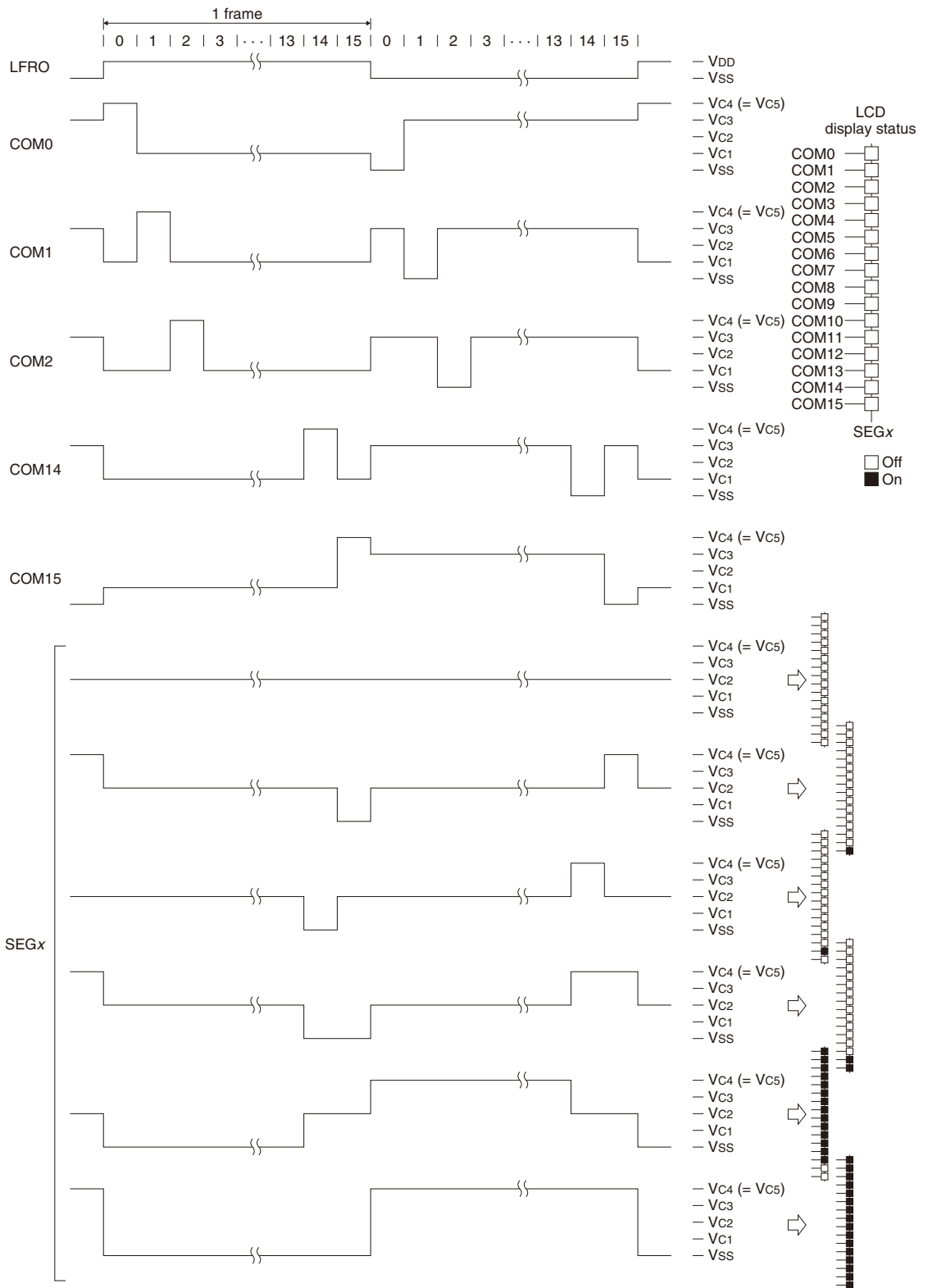


Figure 20.5.5.4 1/16 Duty Drive Waveform (1/4 bias)

20 LCD DRIVER (LCD32B)

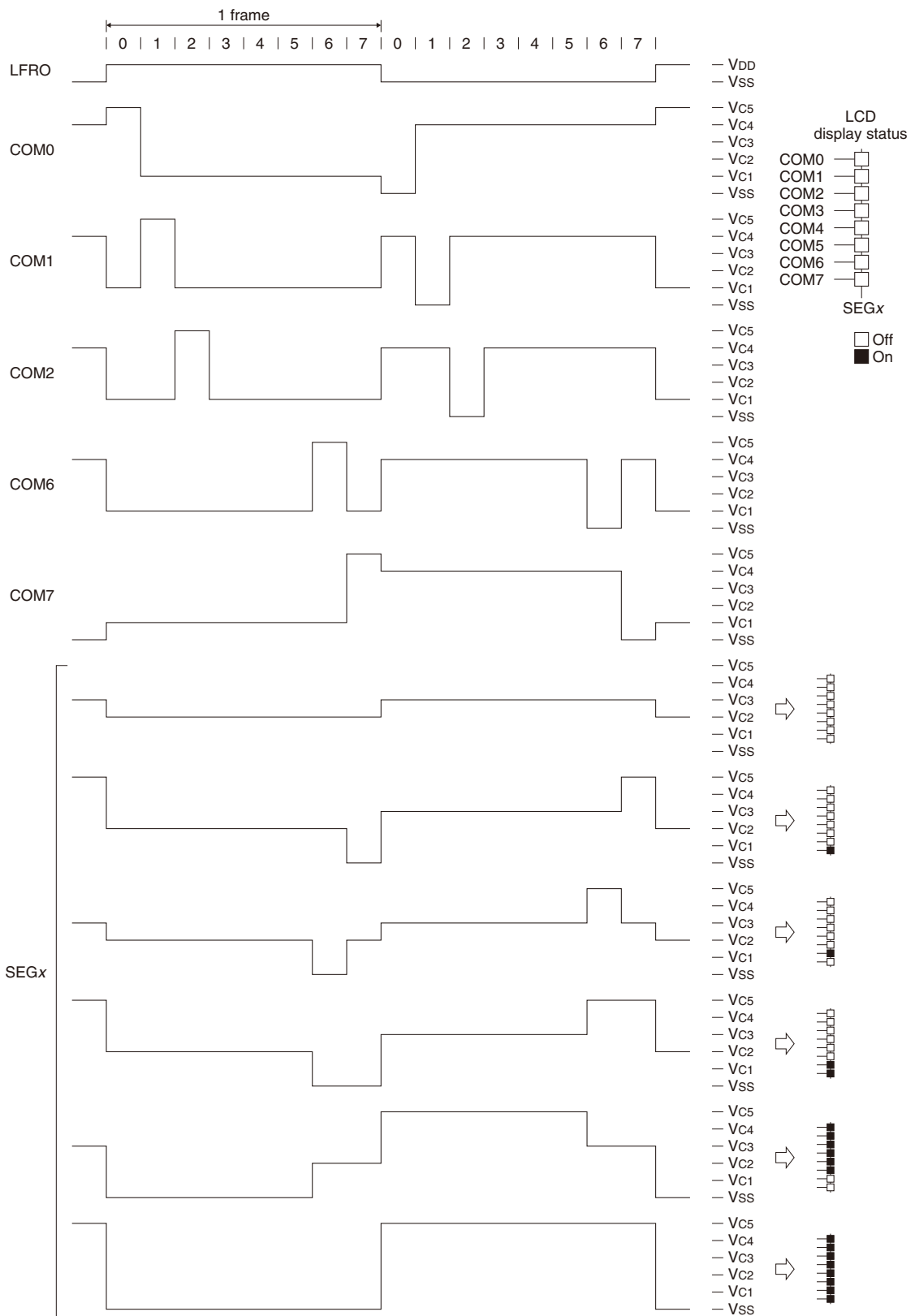


Figure 20.5.5.5 1/8 Duty Drive Waveform (1/5 bias)

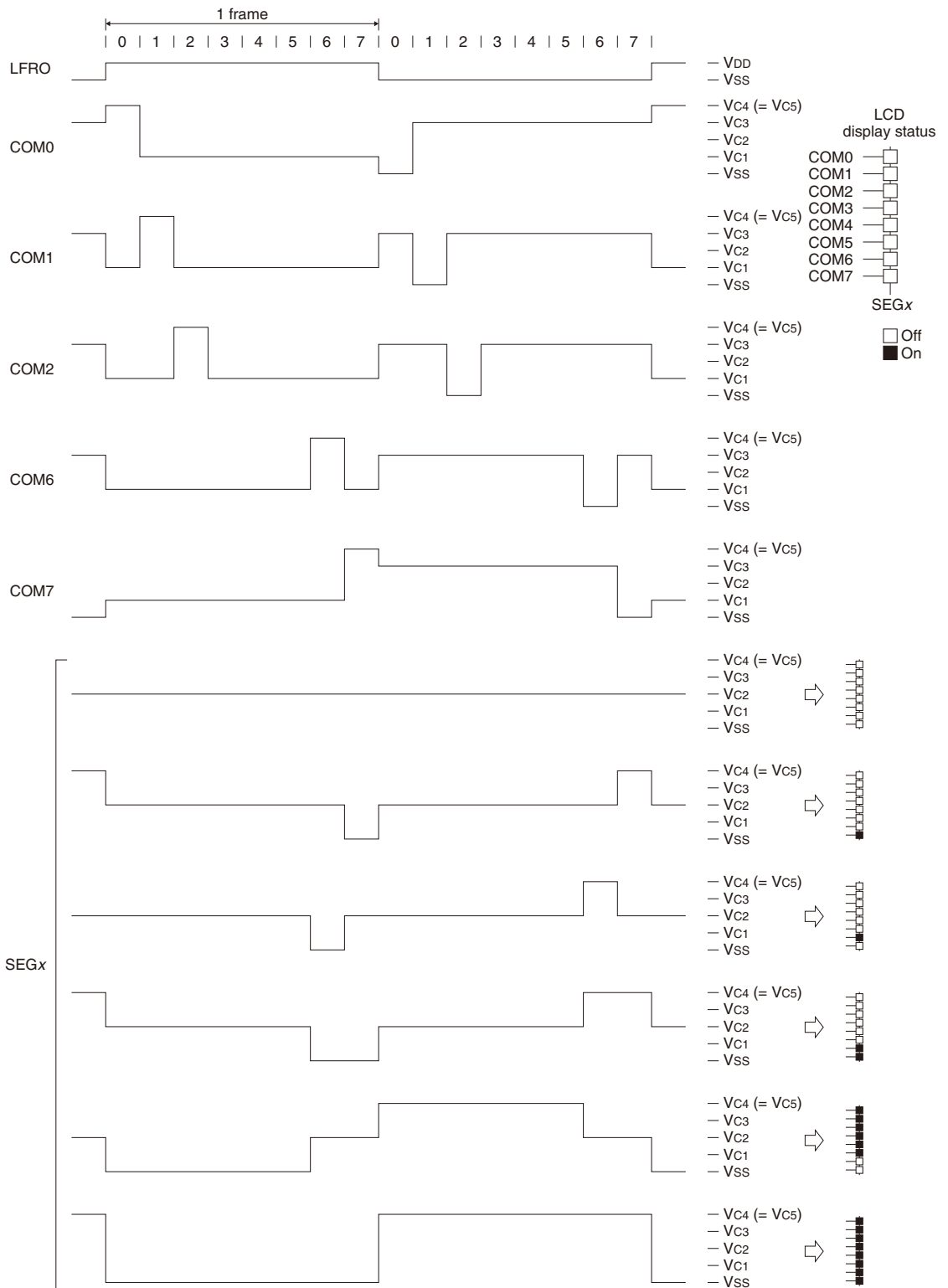


Figure 20.5.5.6 1/8 Duty Drive Waveform (1/4 bias)

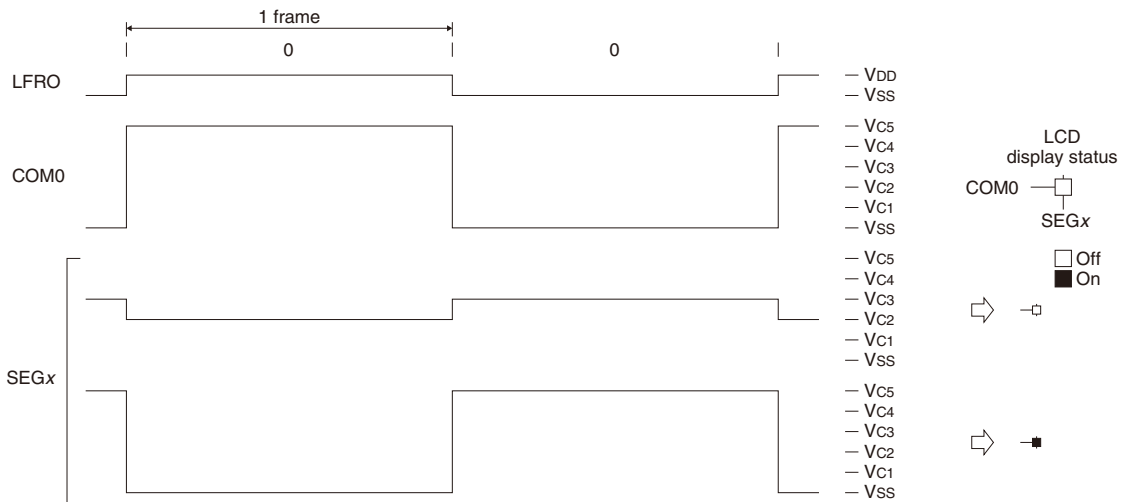


Figure 20.5.5.7 Static Drive Waveform (1/5 bias)

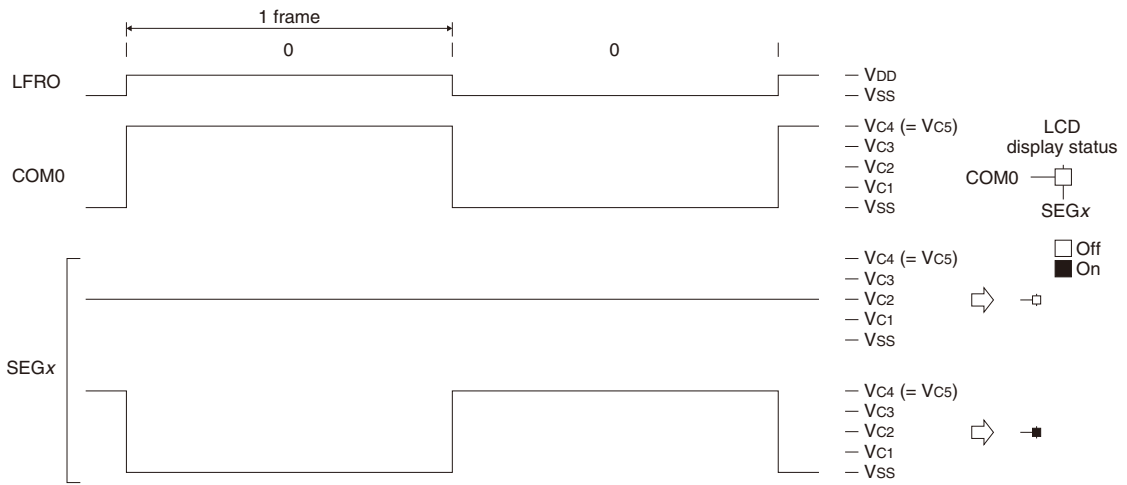


Figure 20.5.5.8 Static Drive Waveform (1/4 bias)

20.5.6 Partial Common Output Drive

By setting the LCD32BCOMC*.COMxDEN bit ($x = \text{COM No.}$) to 0, any common outputs can be set to off waveform regardless of the display data RAM contents. The partial common output drive function limits the display to the required area only to reduce power consumption.

20.5.7 n-Segment-Line Inverse AC Drive

The n-line inverse AC drive function may improve the display quality when being reduced such as when crosstalk occurs. To activate the n-line inverse AC drive function, select the number of lines to be inverted using the LCD32BTIM2.NLINE[4:0] bits. The setting value should be determined after being evaluated using the actual circuit board. Note that using the n-line inverse AC drive function increases current consumption.

Table 20.5.7.1 Selecting Number of Inverse Lines

LCD32BTIM2.NLINE[4:0] bits	Number of inverse lines
0x1f	31 lines
0x1e	30 lines
:	:
0x01	1 line
0x00	Normal drive

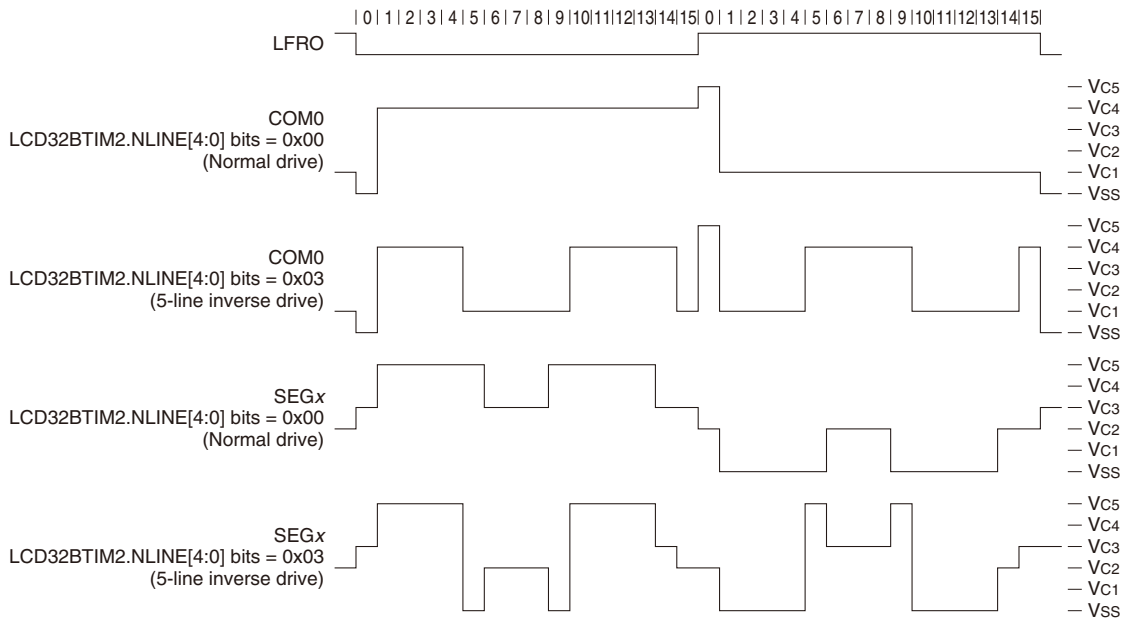


Figure 20.5.7.1 1/16 Duty Normal Drive Waveform and 5-line Inverse Drive Waveform (1/5 bias)

20.6 Display Data RAM

The display data RAM is located beginning with address 0x2020 0000.

The correspondence between the memory bits of the display data RAM and the common/segment pins varies depending on the selected conditions below.

- Drive duty (1/32 to 1/2 or static drive)
- Segment pin assignment (normal or inverse)
- Common pin assignment (normal or inverse)

Figures 20.6.3.1 to 20.6.3.4 show the correspondence between display data RAM and the common/segment pins in some drive duties.

Writing 1 to the display data RAM bit corresponding to a segment on the LCD panel turns the segment on, while writing 0 turns the segment off. Since the display memory is a RAM allowing reading and writing, bits can be controlled individually using logic operation instructions (read-modify-write instructions).

The area unused for display can be used as general-purpose RAM.

20.6.1 Display Area Selection

In the display data RAM, two screen areas can be allocated and the LCD32BDSP.DSPAR bit can be used to switch between the screens. Setting the LCD32BDSP.DSPAR bit to 0 selects display area 0; setting to 1 selects display area 1.

20.6.2 Segment Pin Assignment

The display data RAM address assignment for the segment pins can be inverted using the LCD32BDSP.SEGREV bit. When the LCD32BDSP.SEGREV bit is set to 1, memory addresses are assigned to segment pins in ascending order. When the LCD32BDSP.SEGREV bit is set to 0, memory addresses are assigned to segment pins in descending order.

20.6.3 Common Pin Assignment

The display data RAM bit assignment for the common pins can be inverted using the LCD32BDSP.COMREV bit. When the LCD32BDSP.COMREV bit is set to 1, memory bits are assigned to common pins in ascending order. When the LCD32BDSP.COMREV bit is set to 0, memory bits are assigned to common pins in descending order.

Bit	Address				LCD32BDSP. COMREV bit = 1	LCD32BDSP. COMREV bit = 0	
D0	Display area 0				0x2020 011c	COM0	COM31
D1						COM1	COM30
D2						COM2	COM29
D3						COM3	COM28
D4						COM4	COM27
D5						COM5	COM26
D6						COM6	COM25
D7						COM7	COM24
D0						COM8	COM23
D1						COM9	COM22
D2						COM10	COM21
D3						COM11	COM20
D4						COM12	COM19
D5						COM13	COM18
D6						COM14	COM17
D7						COM15	COM16
D0						COM16	COM15
D1						COM17	COM14
D2						COM18	COM13
D3						COM19	COM12
D4						COM20	COM11
D5						COM21	COM10
D6						COM22	COM9
D7						COM23	COM8
D0						COM24	COM7
D1						COM25	COM6
D2						COM26	COM5
D3						COM27	COM4
D4	COM28	COM3					
D5	COM29	COM2					
D6	COM30	COM1					
D7	COM31	COM0					
LCD32BDSP. SEGREV bit = 1	SEG0	SEG1	SEG2	SEG3	...		
LCD32BDSP. SEGREV bit = 0	SEG71	SEG70	SEG69	SEG68	...	SEG0	

Bit	Address				LCD32BDSP. COMREV bit = 1	LCD32BDSP. COMREV bit = 0							
D0	Display area 1				0x2020 031c	COM0	COM31						
D1						0x2020 0320	COM1	COM30					
D2							0x2020 0320	COM2	COM29				
D3								0x2020 0320	COM3	COM28			
D4									0x2020 0320	COM4	COM27		
D5										0x2020 0320	COM5	COM26	
D6											0x2020 0320	COM6	COM25
D7												0x2020 0320	COM7
D0					0x2020 031d								COM8
D1						0x2020 0321							COM9
D2							0x2020 0321						COM10
D3								0x2020 0321					COM11
D4									0x2020 0321				COM12
D5										0x2020 0321			COM13
D6											0x2020 0321		COM14
D7												0x2020 0321	COM15
D0					0x2020 031e								COM16
D1						0x2020 0322							COM17
D2							0x2020 0322						COM18
D3								0x2020 0322					COM19
D4									0x2020 0322				COM20
D5										0x2020 0322			COM21
D6											0x2020 0322		COM22
D7												0x2020 0322	COM23
D0					0x2020 031f								COM24
D1						0x2020 0323							COM25
D2							0x2020 0323						COM26
D3								0x2020 0323					COM27
D4	0x2020 0323	COM28	COM3										
D5		0x2020 0323	COM29	COM2									
D6			0x2020 0323	COM30					COM1				
D7				0x2020 0323					COM31	COM0			
LCD32BDSP. SEGREV bit = 1					SEG0				SEG1	SEG2	SEG3	...	SEG71
LCD32BDSP. SEGREV bit = 0					SEG71	SEG70			SEG69	SEG68	...	SEG0	

Figure 20.6.3.1 Display Data RAM Map (1/32 duty)

Bit	Address				LCD32BDSP. COMREV bit = 1	LCD32BDSP. COMREV bit = 0																									
D0	0x2020 0000			0x2020 013c	COM0	COM23																									
D1					COM1	COM22																									
D2					COM2	COM21																									
D3					COM3	COM20																									
D4					COM4	COM19																									
D5					COM5	COM18																									
D6					COM6	COM17																									
D7	COM7	COM16																													
D0	0x2020 0001			0x2020 013d	COM8	COM15																									
D1					COM9	COM14																									
D2					COM10	COM13																									
D3					COM11	COM12																									
D4					COM12	COM11																									
D5					COM13	COM10																									
D6					COM14	COM9																									
D7	COM15	COM8																													
D0	0x2020 0002			0x2020 013e	COM16	COM7																									
D1					COM17	COM6																									
D2					COM18	COM5																									
D3					COM19	COM4																									
D4					COM20	COM3																									
D5					COM21	COM2																									
D6					COM22	COM1																									
D7	COM23	COM0																													
D0	0x2020 0003			0x2020 013f																											
D1																															
D2																															
D3																															
D4																															
D5																															
D6																															
D7																															
LCD32BDSP. SEGREV bit = 1	SEG0	SEG1	SEG2	SEG3	...	SEG79																									
LCD32BDSP. SEGREV bit = 0	SEG79	SEG78	SEG77	SEG76	...	SEG0																									
	0x2020 0006			0x2020 0142	Unused area (general-purpose RAM)																										
D1							0x2020 000a			0x2020 0143																					
D2												0x2020 000e			0x2020 015f																
D3																	0x2020 000d			0x2020 0163											
D4																						Un-implemented area			0x2020 01ff						
D5																											0x2020 0161				
D6																															
D7	0x2020 011c																														
D0						0x2020 0140																									
D1											0x2020 015c																				
D2																0x2020 0160															
D3																					0x2020 015d										
D4																										0x2020 0162					
D5																															0x2020 0161
D6	0x2020 0162																														
D7						0x2020 0161																									
D0											0x2020 0162																				
D1																0x2020 0162															
D2																					0x2020 0162										
D3																										0x2020 0162					
D4																															0x2020 0162
D5	0x2020 0162																														
D6						0x2020 0162																									
D7											0x2020 0162																				
D0																0x2020 0162															
D1																					0x2020 0162										
D2																										0x2020 0162					
D3																															0x2020 0162
D4	0x2020 0162																														
D5						0x2020 0162																									
D6											0x2020 0162																				
D7																0x2020 0162															
D0																					0x2020 0162										
D1																										0x2020 0162					
D2																															0x2020 0162
D3	0x2020 0162																														
D4						0x2020 0162																									
D5											0x2020 0162																				
D6																0x2020 0162															
D7																					0x2020 0162										
D0																										0x2020 0162					
D1																															0x2020 0162
D2	0x2020 0162																														
D3						0x2020 0162																									
D4											0x2020 0162																				
D5																0x2020 0162															
D6																					0x2020 0162										
D7																										0x2020 0162					
D0																															0x2020 0162
D1	0x2020 0162																														
D2						0x2020 0162																									
D3											0x2020 0162																				
D4																0x2020 0162															
D5																					0x2020 0162										
D6																										0x2020 0162					
D7																															0x2020 0162
D0	0x2020 0162																														
D1						0x2020 0162																									
D2											0x2020 0162																				
D3																0x2020 0162															
D4																					0x2020 0162										
D5																										0x2020 0162					
D6																															0x2020 0162
D7	0x2020 0162																														
D0						0x2020 0162																									
D1											0x2020 0162																				
D2																0x2020 0162															
D3																					0x2020 0162										
D4																										0x2020 0162					
D5																															0x2020 0162
D6	0x2020 0162																														
D7						0x2020 0162																									
D0											0x2020 0162																				
D1																0x2020 0162															
D2																					0x2020 0162										
D3																										0x2020 0162					
D4																															0x2020 0162
D5	0x2020 0162																														
D6						0x2020 0162																									
D7											0x2020 0162																				
D0																0x2020 0162															
D1																					0x2020 0162										
D2																										0x2020 0162					
D3																															0x2020 0162
D4	0x2020 0162																														
D5						0x2020 0162																									
D6											0x2020 0162																				
D7																0x2020 0162															
D0																					0x2020 0162										
D1																										0x2020 0162					
D2																															0x2020 0162
D3	0x2020 0162																														
D4						0x2020 0162																									
D5											0x2020 0162																				
D6																0x2020 0162															
D7																					0x2020 0162										
D0																										0x2020 0162					
D1																															0x2020 0162
D2	0x2020 0162																														
D3						0x2020 0162																									
D4											0x2020 0162																				
D5																0x2020 0162															
D6																					0x2020 0162										
D7																										0x2020 0162					
D0																															0x2020 0162
D1	0x2020 0162																														
D2						0x2020 0162																									
D3											0x2020 0162																				
D4																0x2020 0162															
D5																					0x2020 0162										
D6																										0x2020 0162					
D7																															0x2020 0162
D0	0x2020 0162																														
D1						0x2020 0162																									
D2											0x2020 0162																				
D3																0x2020 0162															
D4																					0x2020 0162										
D5																										0x2020 0162					
D6																															0x2020 0162
D7	0x2020 0162																														
D0						0x2020 0162																									
D1											0x2020 0162																				
D2																0x2020 0162															
D3																					0x2020 0162										
D4																										0x2020 0162					
D5																															0x2020 0162
D6	0x2020 0162																														
D7						0x2020 0162																									
D0											0x2020 0162																				
D1																0x2020 0162															
D2																					0x2020 0162										
D3																										0x2020 0162					
D4																															0x2020 0162
D5	0x2020 0162																														
D6						0x2020 0162																									
D7											0x2020 0162																				
D0																0x2020 0162															
D1																					0x2020 0162										
D2																										0x2020 0162					
D3																															0x2020 0162
D4	0x2020 0162																														
D5						0x2020 0162																									
D6											0x2020 0162																				
D7																0x2020 0162															
D0																					0x2020 0162										
D1																										0x2020 0162					
D2																															0x2020 0162
D3	0x2020 0162																														
D4						0x2020 0162																									
D5											0x2020 0162																				
D6																0x2020 0162															
D7																					0x2020 0162										
D0																										0x2020 0162					
D1																															0x2020 0162
D2	0x2020 0162																														
D3						0x2020 0162																									
D4											0x2020 0162																				
D5																0x2020 0162															
D6																					0x2020 0162										
D7																										0x2020 0162					
D0																															0x2020 0162
D1	0x2020 0162																														
D2						0x2020 0162																									
D3											0x2020 0162																				
D4																0x2020															

Bit	Address				LCD32BDSP. COMREV bit = 1	LCD32BDSP. COMREV bit = 0
	D0	0x2020 0200	0x2020 0204	0x2020 0208	0x2020 020c	COM0
D1	COM1					COM22
D2	COM2					COM21
D3	COM3					COM20
D4	COM4					COM19
D5	COM5					COM18
D6	COM6					COM17
D7	COM7					COM16
D0	0x2020 0201	0x2020 0205	0x2020 0209	0x2020 020d	COM8	COM15
D1					COM9	COM14
D2					COM10	COM13
D3					COM11	COM12
D4					COM12	COM11
D5					COM13	COM10
D6					COM14	COM9
D7					COM15	COM8
D0	0x2020 0202	0x2020 0206	0x2020 020a	0x2020 020e	COM16	COM7
D1					COM17	COM6
D2					COM18	COM5
D3					COM19	COM4
D4					COM20	COM3
D5					COM21	COM2
D6					COM22	COM1
D7					COM23	COM0
D0	0x2020 0203	0x2020 0207	0x2020 020b	0x2020 020f	Unused area (general-purpose RAM)	Unused area (general-purpose RAM)
D1						
D2						
D3						
D4						
D5						
D6						
D7						
D0	0x2020 0330	0x2020 0334	0x2020 0338	0x2020 033c	Display area 1	0x2020 033c
D1						
D2						
D3						
D4						
D5						
D6						
D7						
D0	0x2020 033d	0x2020 0341	0x2020 0345	0x2020 0349	0x2020 034d	0x2020 034d
D1						
D2						
D3						
D4						
D5						
D6						
D7						
D0	0x2020 033e	0x2020 0342	0x2020 0346	0x2020 034a	0x2020 034e	0x2020 034e
D1						
D2						
D3						
D4						
D5						
D6						
D7						
D0	0x2020 0341	0x2020 0345	0x2020 0349	0x2020 034d	0x2020 0351	0x2020 0351
D1						
D2						
D3						
D4						
D5						
D6						
D7						
D0	0x2020 0342	0x2020 0346	0x2020 034a	0x2020 034e	0x2020 0352	0x2020 0352
D1						
D2						
D3						
D4						
D5						
D6						
D7						
D0	0x2020 0343	0x2020 0347	0x2020 034b	0x2020 034f	0x2020 0353	0x2020 0353
D1						
D2						
D3						
D4						
D5						
D6						
D7						
D0	0x2020 0344	0x2020 0348	0x2020 034c	0x2020 0350	0x2020 0354	0x2020 0354
D1						
D2						
D3						
D4						
D5						
D6						
D7						
D0	0x2020 0345	0x2020 0349	0x2020 034d	0x2020 0351	0x2020 0355	0x2020 0355
D1						
D2						
D3						
D4						
D5						
D6						
D7						
D0	0x2020 0346	0x2020 034a	0x2020 034e	0x2020 0352	0x2020 0356	0x2020 0356
D1						
D2						
D3						
D4						
D5						
D6						
D7						
D0	0x2020 0347	0x2020 034b	0x2020 034f	0x2020 0353	0x2020 0357	0x2020 0357
D1						
D2						
D3						
D4						
D5						
D6						
D7						
D0	0x2020 0348	0x2020 034c	0x2020 0350	0x2020 0354	0x2020 0358	0x2020 0358
D1						
D2						
D3						
D4						
D5						
D6						
D7						
D0	0x2020 0349	0x2020 034d	0x2020 0351	0x2020 0355	0x2020 0359	0x2020 0359
D1						
D2						
D3						
D4						
D5						
D6						
D7						
D0	0x2020 034a	0x2020 034e	0x2020 0352	0x2020 0356	0x2020 035a	0x2020 035a
D1						
D2						
D3						
D4						
D5						
D6						
D7						
D0	0x2020 034b	0x2020 034f	0x2020 0353	0x2020 0357	0x2020 035b	0x2020 035b
D1						
D2						
D3						
D4						
D5						
D6						
D7						
D0	0x2020 034c	0x2020 0350	0x2020 0354	0x2020 0358	0x2020 035c	0x2020 035c
D1						
D2						
D3						
D4						
D5						
D6						
D7						
D0	0x2020 034d	0x2020 0351	0x2020 0355	0x2020 0359	0x2020 035d	0x2020 035d
D1						
D2						
D3						
D4						
D5						
D6						
D7						
D0	0x2020 034e	0x2020 0352	0x2020 0356	0x2020 035a	0x2020 035e	0x2020 035e
D1						
D2						
D3						
D4						
D5						
D6						
D7						
D0	0x2020 034f	0x2020 0353	0x2020 0357	0x2020 035b	0x2020 035f	0x2020 035f
D1						
D2						
D3						
D4						
D5						
D6						
D7						
D0	0x2020 0350	0x2020 0354	0x2020 0358	0x2020 035c	0x2020 0360	0x2020 0360
D1						
D2						
D3						
D4						
D5						
D6						
D7						
D0	0x2020 0351	0x2020 0355	0x2020 0359	0x2020 035d	0x2020 0361	0x2020 0361
D1						
D2						
D3						
D4						
D5						
D6						
D7						
D0	0x2020 0352	0x2020 0356	0x2020 035a	0x2020 035e	0x2020 0362	0x2020 0362
D1						
D2						
D3						
D4						
D5						
D6						
D7						
D0	0x2020 0353	0x2020 0357	0x2020 035b	0x2020 035f	0x2020 0363	0x2020 0363
D1						
D2						
D3						
D4						
D5						
D6						
D7						
D0	0x2020 0354	0x2020 0358	0x2020 035c	0x2020 0360	0x2020 0364	0x2020 0364
D1						
D2						
D3						
D4						
D5						
D6						
D7						
D0	0x2020 0355	0x2020 0359	0x2020 035d	0x2020 0361	0x2020 0365	0x2020 0365
D1						
D2						
D3						
D4						
D5						
D6						
D7						
D0	0x2020 0356	0x2020 035a	0x2020 035e	0x2020 0362	0x2020 0366	0x2020 0366
D1						
D2						
D3						
D4						
D5						
D6						
D7						
D0	0x2020 0357	0x2020 035b	0x2020 035f	0x2020 0363	0x2020 0367	0x2020 0367
D1						
D2						
D3						
D4						
D5						
D6						
D7						
D0	0x2020 0358	0x2020 035c	0x2020 0360	0x2020 0364	0x2020 0368	0x2020 0368
D1						
D2						
D3						
D4						
D5						
D6						
D7						
D0	0x2020 0359	0x2020 035d	0x2020 0361	0x2020 0365	0x2020 0369	0x2020 0369
D1						
D2						
D3						
D4						
D5						
D6						
D7						
D0	0x2020 035a	0x2020 035e	0x2020 0362	0x2020 0366	0x2020 036a	0x2020 036a
D1						
D2						
D3						
D4						
D5						
D6						
D7						
D0	0x2020 035b	0x2020 035f	0x2020 0363	0x2020 0367	0x2020 036b	0x2020 036b
D1						
D2						
D3						
D4						
D5						
D6						
D7						
D0	0x2020 035c	0x2020 0360	0x2020 0364	0x2020 0368	0x2020 036c	0x2020 036c
D1						
D2						
D3						
D4						
D5						
D6						
D7						
D0	0x2020 035d	0x2020 0359	0x2020 0365	0x2020 0369	0x2020 036d	0x2020 036d
D1						
D2						
D3						
D4						
D5						
D6						
D7						
D0	0x2020 035e	0x2020 035e	0x2020 0362	0x2020 0366	0x2020 036a	0x2020 036a
D1						
D2						
D3						
D4						
D5						
D6						
D7						
D0	0x2020 035f	0x2020 0363	0x2020 0367	0x2020 036b	0x2020 036f	0x2020 036f
D1						
D2						
D3						
D4						
D5						
D6						
D7						
D0	0x2020 0360	0x2020 0364	0x2020 0368	0x2020 036c	0x2020 0370	0x2020 0370
D1						
D2						
D3						
D4						
D5						
D6						
D7						
D0	0x2020 0361	0x2020 0365	0x2020 0369	0x2020 036d	0x2020 0371	0x2020 0371
D1						
D2						
D3						
D4						
D5						
D6						
D7						
D0	0x2020 0362	0x2020 0366	0x2020 036a	0x2020 036e	0x2020 0372	0x2020 0372
D1						
D2						
D3						
D4						
D5						
D6						
D7						
D0	0x2020 0363	0x2020 0367	0x2020 036b	0x2020 036f	0x2020 0373	0x2020 0373
D1						
D2						
D3						
D4						
D5						
D6						
D7						
D0	0x2020 0364	0x2020 0368	0x2020 036c	0x2020 0370	0x2020 0374	0x2020 0374
D1						
D2						
D3						
D4						
D5						
D6						
D7						
D0	0x2020 0365	0x2020 0369	0x2020 036d	0x2020 036e	0x2020 0375	0x2020 0375
D1						
D2						
D3						
D4						
D5						
D6						
D7						
D0	0x2020 0366	0x2020 036a	0x2020 036e	0x2020 0372	0x2020 0376	0x2020 0376
D1						
D2						
D3						
D4						
D5						
D6						
D7						
D0	0x2020 0367	0x2020 036b	0x2020 036f	0x2020 0373	0x2020 0377	0x2020 0377
D1						
D2						
D3						
D4						
D5						
D6						
D7						
D0	0x2020 0368	0x2020 036c	0x2020 0370	0x2020 0374	0x2020 0378	0x2020 0378
D1						
D2						
D3						
D4						
D5						
D6						
D7						
D0	0x2020 0369	0x2020 036d	0x2020 0371	0x2020 0375	0x2020 0379	0x2020 0379
D1						
D2						
D3						
D4						
D5						
D6						
D7						
D0	0x2020 036a	0x2020 036e	0x2020 0372	0x2020 0376	0x2020 037a	0x2020 037a
D1						
D2						
D3						
D4						
D5						
D6						
D7						
D0	0x2020 036b	0x2020 036f	0x2020 0373	0x2020 0377	0x2020 037b	0x2020 037b
D1						
D2						
D3						
D4						
D5						
D6						
D7						
D0	0x2020 036c	0x2020 0370	0x2020 0374	0x2020 0378	0x2020 037c	0x2020 037c
D1						
D2						
D3						
D4						
D5						
D6						
D7						
D0	0x2020 036d	0x2020 036e	0x2020 0371	0x2020 0375	0x2020 037d	

Bit	Address				LCD32BDSP. COMREV bit = 1	LCD32BDSP. COMREV bit = 0			
D0	0x2020 0000				0x2020 015c	0x2020 0160	0x2020 01fc	COM0	COM15
D1								COM1	COM14
D2								COM2	COM13
D3								COM3	COM12
D4								COM4	COM11
D5								COM5	COM10
D6								COM6	COM9
D7								COM7	COM8
D0	0x2020 0001				0x2020 015d	0x2020 0161	0x2020 01fd	COM8	COM7
D1								COM9	COM6
D2								COM10	COM5
D3								COM11	COM4
D4								COM12	COM3
D5								COM13	COM2
D6								COM14	COM1
D7								COM15	COM0
D0	0x2020 0002				0x2020 015e	0x2020 0162	0x2020 01fe	Un-implemented area	
D1									
D2									
D3									
D4									
D5									
D6									
D7									
D0	0x2020 0003				0x2020 015f	0x2020 0163	0x2020 01ff		
D1									
D2									
D3									
D4									
D5									
D6									
D7									
LCD32BDSP. SEGREV bit = 1	SEG0	SEG1	SEG2	SEG3	...	SEG7			
LCD32BDSP. SEGREV bit = 0	SEG87	SEG86	SEG85	SEG84	...	SEG0			

Bit	Address				LCD32BDSP. COMREV bit = 1	LCD32BDSP. COMREV bit = 0					
D0	0x2020 0200	0x2020 0204	0x2020 0208	0x2020 020c	Display area 1	0x2020 035c	0x2020 0360	Un-implemented area	0x2020 03fc	COM0	COM15
D1										COM1	COM14
D2										COM2	COM13
D3										COM3	COM12
D4										COM4	COM11
D5										COM5	COM10
D6										COM6	COM9
D7										COM7	COM8
D0	0x2020 0201	0x2020 0205	0x2020 0209	0x2020 020d	Display area 1	0x2020 035d	0x2020 0361	Un-implemented area	0x2020 03fd	COM8	COM7
D1										COM9	COM6
D2										COM10	COM5
D3										COM11	COM4
D4										COM12	COM3
D5										COM13	COM2
D6										COM14	COM1
D7										COM15	COM0
D0	0x2020 0202	0x2020 0206	0x2020 020a	0x2020 020e	Unused area (general-purpose RAM)	0x2020 035e	0x2020 0362	Un-implemented area	0x2020 03fe		
D1											
D2											
D3											
D4											
D5											
D6											
D7											
D0	0x2020 0203	0x2020 0207	0x2020 020b	0x2020 020f	Unused area (general-purpose RAM)	0x2020 035f	0x2020 0363	Un-implemented area	0x2020 03ff		
D1											
D2											
D3											
D4											
D5											
D6											
D7											
LCD32BDSP. SEGREV bit = 1	SEG0	SEG1	SEG2	SEG3	...	SEG7					
LCD32BDSP. SEGREV bit = 0	SEG7	SEG6	SEG5	SEG4	...	SEG0					

Figure 20.6.3.3 Display Data RAM Map (1/16 duty)

20 LCD DRIVER (LCD32B)

Bit	Address				LCD32BDSP. COMREV bit = 1	LCD32BDSP. COMREV bit = 0
D0	Display area 0				0x2020 015c	COM0
D1						
D2						
D3						
D4						
D5						
D6						
D7	Unused area (general-purpose RAM)				0x2020 0160	COM0
D0						
D1						
D2						
D3						
D4						
D5						
D6	Unused area (general-purpose RAM)				0x2020 016d	COM0
D7						
D0						
D1						
D2						
D3						
D4						
D5	Unused area (general-purpose RAM)				0x2020 015e	COM0
D6						
D7						
D0						
D1						
D2						
D3						
D4	Unused area (general-purpose RAM)				0x2020 0162	COM0
D5						
D6						
D7						
D0						
D1						
D2						
D3	Unused area (general-purpose RAM)				0x2020 015f	COM0
D4						
D5						
D6						
D7						
D0						
D1						
D2	Unused area (general-purpose RAM)				0x2020 0163	COM0
D3						
D4						
D5						
D6						
D7						
D0						
D1	Unused area (general-purpose RAM)				0x2020 011f	COM0
D2						
D3						
D4						
D5						
D6						
D7						
LCD32BDSP. SEGREV bit = 1	SEG0	SEG1	SEG2	SEG3	...	SEG87
LCD32BDSP. SEGREV bit = 0	SEG87	SEG86	SEG85	SEG84	...	SEG0

20.7 Interrupt

The LCD32B has a function to generate the interrupt shown in Table 20.7.1.

Table 20.7.1 LCD32B Interrupt Function

Interrupt	Interrupt flag	Set condition	Clear condition
Frame	LCD32BINTF.FRMIIF	Frame switching	Writing 1

The LCD32B provides an interrupt enable bit corresponding to the interrupt flag. An interrupt request is sent to the CPU core only when the interrupt flag, of which interrupt has been enabled by the interrupt enable bit, is set. For more information on interrupt control, refer to the “Interrupt” chapter.

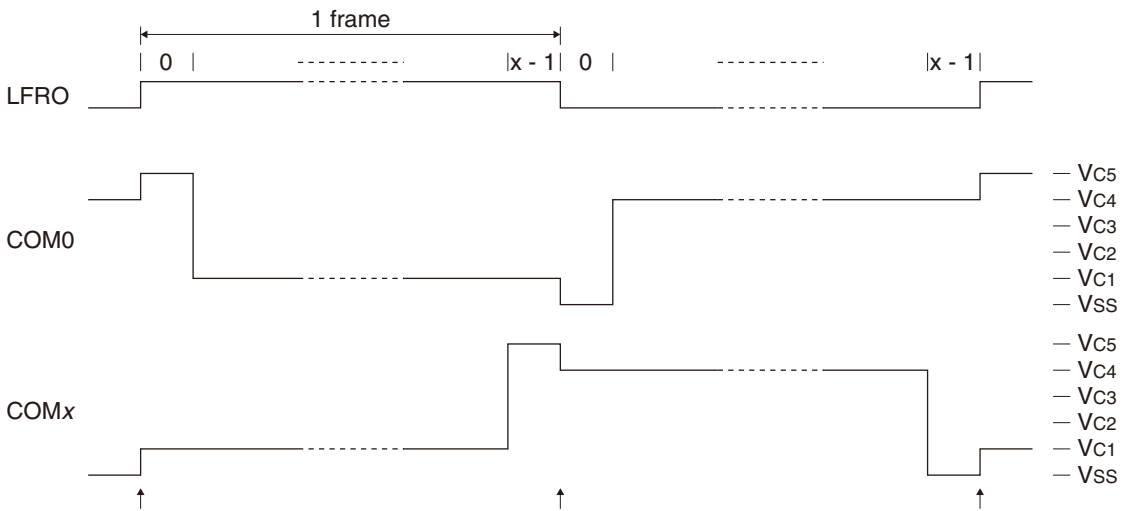


Figure 20.7.1 Frame Interrupt Timings (1/x duty, 1/5 bias)

20.8 Control Registers

LCD32B Clock Control Register

Register name	Bit	Bit name	Initial	Reset	R/W	Remarks
LCD32BCLK	15–9	–	0x00	–	R	–
	8	DBRUN	1	H0	R/W	
	7	–	0	–	R	
	6–4	CLKDIV[2:0]	0x0	H0	R/W	
	3–2	–	0x0	–	R	
	1–0	CLKSRC[1:0]	0x0	H0	R/W	

Bits 15–9 Reserved

Bit 8 DBRUN

This bit sets whether the LCD32B operating clock is supplied during debugging or not.

1 (R/W): Clock supplied during debugging

0 (R/W): No clock supplied during debugging

Bit 7 Reserved

Bits 6–4 CLKDIV[2:0]

These bits select the division ratio of the LCD32B operating clock.

Bits 3–2 Reserved

Bits 1–0 CLKSRC[1:0]

These bits select the clock source of the LCD32B.

Table 20.8.1 Clock Source and Division Ratio Settings

LCD32BCLK. CLKDIV[2:0] bits	LCD32BCLK.CLKSRC[1:0] bits			
	0x0	0x1	0x2	0x3
	IOSC	OSC1	OSC3	EXOSC
0x7	Reserved	1/1	Reserved	1/1
0x6				
0x5			1/512	
0x4			1/256	
0x3			1/128	
0x2			1/64	
0x1			1/32	
0x0			1/16	

(Note) The oscillation circuits/external input that are not supported in this IC cannot be selected as the clock source.

Note: The LCD32BCLK register settings can be altered only when the LCD32BCTL.MODEN bit = 0.

LCD32B Control Register

Register name	Bit	Bit name	Initial	Reset	R/W	Remarks
LCD32BCTL	15–8	–	0x00	–	R	–
	7–2	–	0x00	–	R	
	1	LCDDIS	0	H0	R/W	
	0	MODEN	0	H0	R/W	

Bits 15–2 Reserved

Bit 1 LCDDIS

This bit enables the SEG/COM-pin discharge operations when “Display off” is selected.

1 (R/W): Enable SEG/COM-pin discharge operations

0 (R/W): Disable SEG/COM-pin discharge operations

Setting this bit to 1 configures the SEG/COM pins to output a low level when “Display off” is selected. Setting to 0 configures the SEG/COM pins to enter Hi-Z status when “Display off” is selected.

Bit 0 MODEN

This bit enables the LCD32B operations.

1 (R/W): Enable LCD32B operations

0 (R/W): Disable LCD32B operations

Setting this bit to 1 starts supplying the operating clock to LCD32B and the SEG/COM pins are configured to output a low level. Setting this bit to 0 stops the operating clock and the SEG/COM pins are put into Hi-Z status.

Note: If the LCD32BCTL.MODEN bit is altered from 1 to 0 while the LCD panel is displaying, the LCD display is automatically turned off and the LCD32BDSP.DSPC[1:0] bits are also set to 0x0.

LCD32B Timing Control Register 1

Register name	Bit	Bit name	Initial	Reset	R/W	Remarks
LCD32BTIM1	15–13	–	0x0	–	R	–
	12–8	FRMCNT[4:0]	0x01	H0	R/W	
	7–5	–	0x0	–	R	
	4–0	LDUTY[4:0]	0x1f	H0	R/W	

Bits 15–13 Reserved

Bits 12–8 FRMCNT[4:0]

These bits set the frame frequency. For more information, refer to “Frame Frequency.”

Bits 7–5 Reserved

Bits 4–0 LDUTY[4:0]

These bits set the drive duty. For more information, refer to “Drive Duty Switching.”

LCD32B Timing Control Register 2

Register name	Bit	Bit name	Initial	Reset	R/W	Remarks
LCD32BTIM2	15–10	–	0x00	–	R	–
	9–8	BSTC[1:0]	0x1	H0	R/W	
	7–5	–	0x0	–	R	
	4–0	NLINE[4:0]	0x00	H0	R/W	

Bits 15–10 Reserved

Bits 9–8 BSTC[1:0]

These bits select the booster clock frequency for the LCD voltage booster.

Table 20.8.2 Booster Clock Frequency

LCD32BTIM2.BSTC[1:0] bits	Booster clock frequency [Hz]
0x3	fCLK_LCD32B/64
0x2	fCLK_LCD32B/32
0x1	fCLK_LCD32B/16
0x0	fCLK_LCD32B/4

fCLK_LCD32B: LCD32B operating clock frequency [Hz]

Bits 7–5 Reserved

Bits 4–0 NLINE[4:0]

These bits enable the n-line inverse AC drive function and set the number of inverse lines. For more information, refer to “n-Segment-Line Inverse AC Drive.”

LCD32B Power Control Register

Register name	Bit	Bit name	Initial	Reset	R/W	Remarks
LCD32BPWR	15	EXVCSEL	1	H0	R/W	–
	14–12	–	0x0	–	R	
	11–8	LC[3:0]	0x0	H0	R/W	
	7–5	–	0x0	–	R	
	4	BSTEN	0	H0	R/W	
	3	BIASSEL	0	H0	R/W	
	2	HVLD	0	H0	R/W	
	1	–	0	–	R	
0	VCEN	0	H0	R/W		

Bit 15 EXVCSEL

This bit selects the LCD drive voltage supply mode (external voltage application mode or internal generation mode).

1 (R/W): External voltage application mode

0 (R/W): Internal generation mode

Bits 14–12 Reserved

Bits 11–8 LC[3:0]

These bits set the LCD panel contrast.

Table 20.8.3 LCD Contrast Adjustment

LCD32BPWR.LC[3:0] bits	Contrast
0xf	High (dark)
0xe	↑
:	:
0x1	↓
0x0	Low (light)

Bits 7–5 Reserved

Bit 4 BSTEN

This bit turns the LCD voltage booster on and off.

1 (R/W): LCD voltage booster on

0 (R/W): LCD voltage booster off

For more information, refer to “LCD Power Supply.”

Bit 3 BIASSEL

This bit selects the LCD drive bias.

1 (R/W): 1/4 bias

0 (R/W): 1/5 bias

Bit 2 HVLD

This bit sets the LCD voltage regulator into heavy load protection mode.

1 (R/W): Heavy load protection mode

0 (R/W): Normal mode

For more information, refer to “LCD Voltage Regulator Settings.”

Bit 1 Reserved**Bit 0 VCEN**

This bit turns the LCD voltage regulator on and off.

1 (R/W): LCD voltage regulator on

0 (R/W): LCD voltage regulator off

For more information, refer to “LCD Power Supply.”

LCD32B Display Control Register

Register name	Bit	Bit name	Initial	Reset	R/W	Remarks
LCD32BDSP	15–8	–	0x00	–	R	–
	7	–	0	–	R	
	6	SEGREV	1	H0	R/W	
	5	COMREV	1	H0	R/W	
	4	DSPREV	1	H0	R/W	
	3	–	0	–	R	
	2	DSPAR	0	H0	R/W	
1–0	DSPC[1:0]	0x0	H0	R/W		

Bits 15–7 Reserved**Bit 6 SEGREV**

This bit selects the segment pin assignment direction.

1 (R/W): Normal assignment

0 (R/W): Inverse assignment

For more information, see Figures 20.6.3.1 to 20.6.3.4.

Bit 5 COMREV

This bit selects the common pin assignment direction.

1 (R/W): Normal assignment

0 (R/W): Inverse assignment

For more information, see Figures 20.6.3.1 to 20.6.3.4.

Bit 4 DSPREV

This bit controls black/white inversion on the LCD display.

1 (R/W): Normal display

0 (R/W): Inverted display

Bit 3 Reserved

Bit 2 DSPAR

This bit switches the display area in the display data RAM.

1 (R/W): Display area 1

0 (R/W): Display area 0

Bits 1–0 DSPC[1:0]

These bits control the LCD display on/off and select a display mode. For more information, refer to “Display On/Off.”

LCD32B COM Pin Control Registers 0 and 1

Register name	Bit	Bit name	Initial	Reset	R/W	Remarks
LCD32BCOMC0	15	COM15DEN	1	H0	R/W	–
	14	COM14DEN	1	H0	R/W	
	13	COM13DEN	1	H0	R/W	
	12	COM12DEN	1	H0	R/W	
	11	COM11DEN	1	H0	R/W	
	10	COM10DEN	1	H0	R/W	
	9	COM9DEN	1	H0	R/W	
	8	COM8DEN	1	H0	R/W	
	7	COM7DEN	1	H0	R/W	
	6	COM6DEN	1	H0	R/W	
	5	COM5DEN	1	H0	R/W	
	4	COM4DEN	1	H0	R/W	
	3	COM3DEN	1	H0	R/W	
	2	COM2DEN	1	H0	R/W	
1	COM1DEN	1	H0	R/W		
0	COM0DEN	1	H0	R/W		
LCD32BCOMC1	15	COM31DEN	1	H0	R/W	–
	14	COM30DEN	1	H0	R/W	
	13	COM29DEN	1	H0	R/W	
	12	COM28DEN	1	H0	R/W	
	11	COM27DEN	1	H0	R/W	
	10	COM26DEN	1	H0	R/W	
	9	COM25DEN	1	H0	R/W	
	8	COM24DEN	1	H0	R/W	
	7	COM23DEN	1	H0	R/W	
	6	COM22DEN	1	H0	R/W	
	5	COM21DEN	1	H0	R/W	
	4	COM20DEN	1	H0	R/W	
	3	COM19DEN	1	H0	R/W	
	2	COM18DEN	1	H0	R/W	
1	COM17DEN	1	H0	R/W		
0	COM16DEN	1	H0	R/W		

Bits 15–0 (LCD32BCOMC0 register)**Bits 15–0 (LCD32BCOMC1 register)****COMxDEN**

These bits configure the partial drive of the COMx pins.

1 (R/W): Normal output

0 (R/W): Off waveform output

LCD32B Interrupt Flag Register

Register name	Bit	Bit name	Initial	Reset	R/W	Remarks
LCD32BINTF	15-8	-	0x00	-	R	-
	7-1	-	0x00	-	R	
	0	FRMIF	0	H0	R/W	Cleared by writing 1.

Bits 15-1 Reserved

Bit 0 FRMIF

This bit indicates the frame interrupt cause occurrence status.

1 (R): Cause of interrupt occurred

0 (R): No cause of interrupt occurred

1 (W): Clear flag

0 (W): Ineffective

LCD32B Interrupt Enable Register

Register name	Bit	Bit name	Initial	Reset	R/W	Remarks
LCD32BINTE	15-8	-	0x00	-	R	-
	7-1	-	0x00	-	R	
	0	FRMIE	0	H0	R/W	

Bits 15-1 Reserved

Bit 0 FRMIE

This bit enables the frame interrupt.

1 (R/W): Enable interrupt

0 (R/W): Disable interrupt

21 R/F Converter (RFC)

21.1 Overview

The RFC is a CR oscillation type A/D converter (R/F converter).

The features of the RFC are listed below.

- Converts the sensor resistance into a digital value by performing CR oscillation and counting the oscillation clock.
- Achieves high-precision measurement system with low errors by oscillating the reference resistor and the sensor in the same conditions to obtain the difference between them.
- Includes a 24-bit measurement counter to count the oscillation clocks.
- Includes a 24-bit time base counter to count the internal clock for equalizing the measurement time between the reference resistor and the sensor.
- Supports DC bias resistive sensors and AC bias resistive sensors.
(A thermometer/hygrometer can be easily implemented by connecting a thermistor or a humidity sensor and a few passive elements (resistor and capacitor).)
- Allows measurement (counting) by inputting external clocks.
- Provides an output and continuous oscillation function for monitoring the oscillation frequency.
- Can generate reference oscillation completion, sensor (A and B) oscillation completion, measurement counter overflow error, and time base counter overflow error interrupts.

Figure 21.1.1 shows the RFC configuration.

Table 21.1.1 RFC Channel Configuration of S1C31W74

Item	S1C31W74
Number of channels	1 channel (Ch.0)

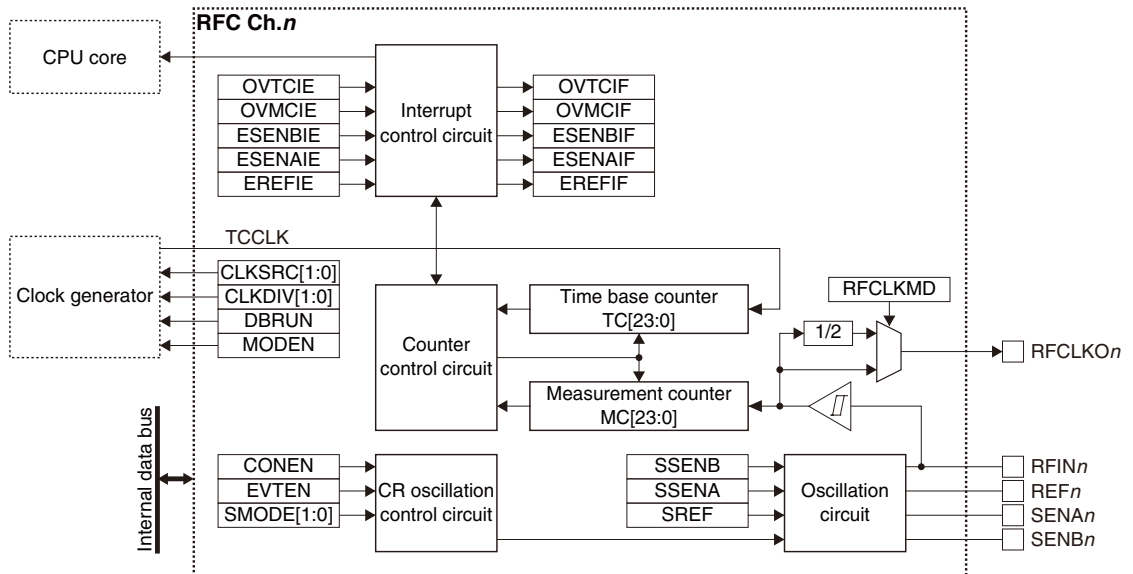


Figure 21.1.1 RFC Configuration

21.2 Input/Output Pins and External Connections

21.2.1 List of Input/Output Pins

Table 21.2.1.1 lists the RFC pins.

Table 21.2.1.1 List of RFC Pins

Pin name	I/O*	Initial status*	Function
SENB n	A	Hi-Z	Sensor B oscillation control pin
SENA n	A	Hi-Z	Sensor A oscillation control pin
REF n	A	Hi-Z	Reference oscillation control pin
RFIN n	A	V _{ss}	RFCLK input or oscillation control pin
RFCLKO n	O	Hi-Z	RFCLK monitoring output pin RFCLK is output to monitor the oscillation frequency.

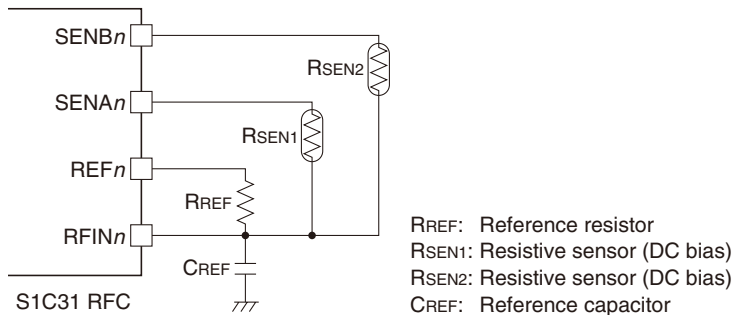
* Indicates the status when the pin is configured for the RFC.

If the port is shared with the RFC pin and other functions, the RFC input/output function must be assigned to the port before activating the RFC. For more information, refer to the “I/O Ports” chapter.

Note: The RFIN n pin goes to V_{ss} level when the port is switched. Be aware that large current may flow if the pin is biased by an external circuit.

21.2.2 External Connections

The figures below show connection examples between the RFC and external sensors. For the oscillation mode and external clock input mode, refer to “Operating Mode.”



* Leave the unused pin (SENA n or SENB n) open if one resistive sensor only is used.

Figure 21.2.2.1 Connection Example in Resistive Sensor DC Oscillation Mode

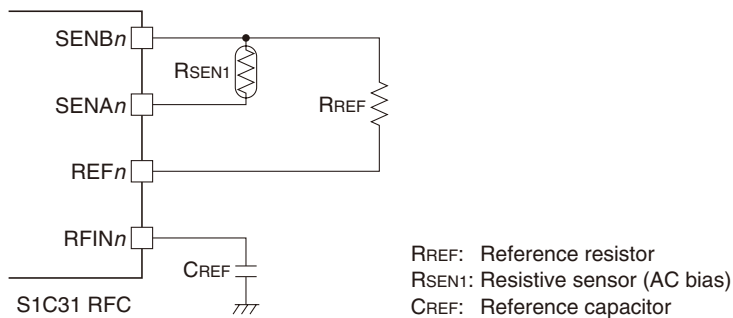
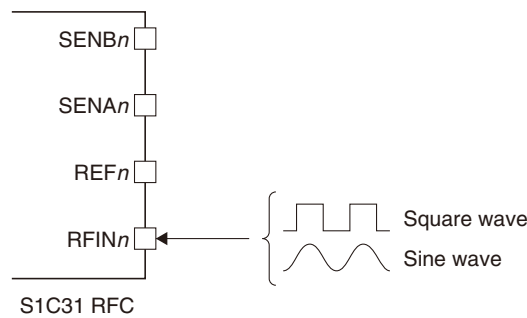


Figure 21.2.2.2 Connection Example in Resistive Sensor AC Oscillation Mode



* Leave the unused pins open.

Figure 21.2.2.3 External Clock Input in External Clock Input Mode

21.3 Clock Settings

21.3.1 RFC Operating Clock

When using the RFC, the RFC operating clock TCCLK must be supplied to the RFC from the clock generator. The TCCLK supply should be controlled as in the procedure shown below.

1. Enable the clock source in the clock generator if it is stopped (refer to “Clock Generator” in the “Power Supply, Reset, and Clocks” chapter).
2. Set the following RFC_nCLK register bits:
 - RFC_nCLK.CLKSRC[1:0] bits (Clock source selection)
 - RFC_nCLK.CLKDIV[1:0] bits (Clock division ratio selection = Clock frequency setting)

The time base counter performs counting with TCCLK set here. Selecting a higher clock results in higher conversion accuracy, note, however, that the frequency should be determined so that the time base counter will not overflow during reference oscillation.

21.3.2 Clock Supply in SLEEP Mode

When using RFC during SLEEP mode, the RFC operating clock TCCLK must be configured so that it will keep supplying by writing 0 to the CLGOSC.xxxxSLPC bit for the TCCLK clock source.

21.3.3 Clock Supply in DEBUG Mode

The TCCLK supply during DEBUG mode should be controlled using the RFC_nCLK.DBRUN bit.

The TCCLK supply to the RFC is suspended when the CPU enters DEBUG mode if the RFC_nCLK.DBRUN bit = 0. After the CPU returns to normal mode, the TCCLK supply resumes. Although the RFC stops operating when the TCCLK supply is suspended, the output pin and registers retain the status before DEBUG mode was entered. If the RFC_nCLK.DBRUN bit = 1, the TCCLK supply is not suspended and the RFC will keep operating in DEBUG mode.

21.4 Operations

21.4.1 Initialization

The RFC should be initialized with the procedure shown below.

1. Configure the RFC_nCLK.CLKSRC[1:0] and RFC_nCLK.CLKDIV[1:0] bits. (Configure operating clock)
2. Set the following bits when using the interrupt:
 - Write 1 to the interrupt flags in the RFC_nINTF register. (Clear interrupt flags)
 - Set the interrupt enable bits in the RFC_nINTE register to 1. (Enable interrupts)
3. Assign the RFC input/output function to the ports. (Refer to the “I/O Ports” chapter.)

21 R/F CONVERTER (RFC)

4. Configure the following RFC_nCTL register bits:

- RFC_nCTL.EVTEN bit (Enable/disable external clock input mode)
- RFC_nCTL.SMODE[1:0] bits (Select oscillation mode)
- Set the RFC_nCTL.MODEN bit to 1. (Enable RFC operations)

21.4.2 Operating Modes

The RFC has two oscillation modes that use the RFC internal oscillation circuit and an external clock input mode for measurements using an external input clock. The channels may be configured to a different mode from others.

Oscillation mode

The oscillation mode is selected using the RFC_nCTL.SMODE[1:0] bits.

DC oscillation mode for resistive sensor measurements

This mode performs measurements by DC driving the reference resistor and the resistive sensor to oscillate. Set the RFC into this mode when a DC bias resistive sensor is connected. This mode allows connection of two resistive sensors to a channel.

AC oscillation mode for resistive sensor measurements

This mode performs measurements by AC driving the reference resistor and the resistive sensor to oscillate. Set the RFC into this mode when an AC bias resistive sensor is connected. One resistive sensor only can be connected to a channel.

External clock input mode (event counter mode)

This mode enables input of external clock/pulses to perform counting similar to the internal oscillation clock. A sine wave may be input as well as a square wave (for the threshold value of the Schmitt input, refer to “R/F Converter Characteristics, High level Schmitt input threshold voltage V_{T+} and Low level Schmitt input threshold voltage V_{T-} ” in the “Electrical Characteristics” chapter). This function is enabled by setting the RFC_nCTL.EVTEN bit to 1. The measurement procedure is the same as when the internal oscillation circuit is used.

21.4.3 RFC Counters

The RFC incorporates two counters shown below.

Measurement counter (MC)

The measurement counter is a 24-bit presettable up counter. Counting the reference oscillation clock and the sensor oscillation clock for the same duration of time using this counter minimizes errors caused by voltage, and unevenness of IC quality, as well as external parts and on-board parasitic elements. The counter values should be corrected via software after the reference and sensor oscillations are completed according to the sensor characteristics to determine the value being currently detected by the sensor.

Time base counter (TC)

The time base counter is a 24-bit presettable up/down counter. The time base counter counts up with TCCLK during reference oscillation to measure the reference oscillation time. During sensor oscillation, it counts down from the reference oscillation time and stops the sensor oscillation when it reaches 0x000000. This means that the sensor oscillation time becomes equal to the reference oscillation time. The value counted during reference oscillation should be saved in the memory. It can be reused at subsequent sensor oscillations omitting reference oscillations.

Counter initial value

To obtain the difference between the reference oscillation and sensor oscillation clock count values from the measurement counter simply, appropriate initial values must be set to the measurement counter before starting reference oscillation.

Connecting the reference element and sensor with the same resistance will result in <Initial value: n> = <Counter value at the end of sensor oscillation: m> (if error = 0). Setting a large <Initial value: n> increases the resolution of measurement. However, the measurement counter may overflow during sensor oscillation when the sensor value decreases below the reference element value (the measurement will be canceled). The initial value for the measurement counter should be determined taking the range of sensor value into consideration. The time base counter should be set to 0x000000 before starting reference oscillation.

Counter value read

The measurement and time base counters operate on RFCCLK and TCCLK, respectively. Therefore, to read correctly by the CPU while the counter is running, read the counter value twice or more and check to see if the same value is read.

21.4.4 Converting Operations and Control Procedure

An R/F conversion procedure and the RFC operations are shown below. Although the following descriptions assume that the internal oscillation circuit is used, external clock input mode can be controlled with the same procedure.

R/F control procedure

1. Set the initial value (0x000000 - n) to the RFC_nMCH and RFC_nMCL registers (measurement counter).
2. Clear the RFC_nTCH and RFC_nTCL registers (time base counter) to 0x000000.
3. Clear both the RFC_nINTF.EREFIF and RFC_nINTF.OVTCIF bits by writing 1.
4. Set the RFC_nTRG.SREF bit to 1 to start reference oscillation.
5. Wait for an RFC interrupt.
 - i. If the RFC_nINTF.EREFIF bit = 1 (reference oscillation completion), clear the RFC_nINTF.EREFIF bit and then go to Step 6.
 - ii. If the RFC_nINTF.OVTCIF bit = 1 (time base counter overflow error), clear the RFC_nINTF.OVTCIF bit and terminate measurement as an error or retry after altering the measurement counter initial value.
6. Clear the RFC_nINTF.ESENAIF, RFC_nINTF.ESENBIF, and RFC_nINTF.OVMCIF bits by writing 1.
7. Set the RFC_nTRG.SSENA bit (sensor A) or the RFC_nTRG.SSENB bit (sensor B) corresponding to the sensor to be measured to 1 to start sensor oscillation (use the RFC_nTRG.SSENA bit in AC oscillation mode).
8. Wait for an RFC interrupt.
 - i. If the RFC_nINTF.ESENAIF bit = 1 (sensor A oscillation completion) or the RFC_nINTF.ESENBIF bit = 1 (sensor B oscillation completion), clear the RFC_nINTF.ESENAIF or RFC_nINTF.ESENBIF bit and then go to Step 9.
 - ii. If the RFC_nINTF.OVMCIF bit = 1 (measurement counter overflow error), clear the RFC_nINTF.OVMCIF bit and terminate measurement as an error or retry after altering the measurement counter initial value.
9. Read the RFC_nMCH and RFC_nMCL registers (measurement counter) and correct the results depending on the sensor to obtain the detected value.

R/F converting operations

Reference oscillation

When the RFC_nTRG.SREF bit is set to 1 in Step 4 of the conversion procedure above, the RFC Ch.n starts CR oscillation using the reference resistor. The measurement counter starts counting up using the CR oscillation clock from the initial value that has been set. The time base counter starts counting up using TCCLK from 0x000000.

When the measurement counter or the time base counter overflows (0xfffff → 0x000000), the RFC_nTRG.SREF bit is cleared to 0 and the reference oscillation stops automatically.

The measurement counter overflow sets the RFC_nINTF.EREFIF bit to 1 indicating that the reference oscillation has been terminated normally. If the RFC_nINTE.EREFIE bit = 1, a reference oscillation completion interrupt request occurs at this point.

The time base counter overflow sets the RFC_nINTF.OVTCIF bit to 1 indicating that the reference oscillation has been terminated abnormally. If the RFC_nINTE.OVTCIE bit = 1, a time base counter overflow error interrupt request occurs at this point.

Sensor oscillation

When the RFC_nTRG.SSENA bit (sensor A) or the RFC_nTRG.SSENB bit (sensor B) is set to 1 in Step 7 of the conversion procedure above, the RFC Ch.n starts CR oscillation using the sensor. The measurement counter starts counting up using the CR oscillation clock from 0x000000. The time base counter starts counting down using TCCLK from the value at the end of reference oscillation.

When the time base counter reaches 0x000000 or the measurement counter overflows (0xfffff → 0x000000), the RFC_nTRG.SSENA bit or the RFC_nTRG.SSENB bit that started oscillation is cleared to 0 and the sensor oscillation stops automatically.

The time base counter reaching 0x000000 sets the RFC_nINTF.ESENAIF bit (sensor A) or the RFC_nINTF.ESENBIF bit (sensor B) to 1 indicating that the sensor oscillation has been terminated normally. If the RFC_nINTE.ESENAIE bit = 1 or the RFC_nINTE.ESENBIE bit = 1, a sensor A or sensor B oscillation completion interrupt request occurs at this point.

The measurement counter overflow sets the RFC_nINTF.OVMCIF to 1 indicating that the sensor oscillation has been terminated abnormally. If the RFC_nINTE.OVMCIE bit = 1, a measurement counter overflow error interrupt request occurs at this point.

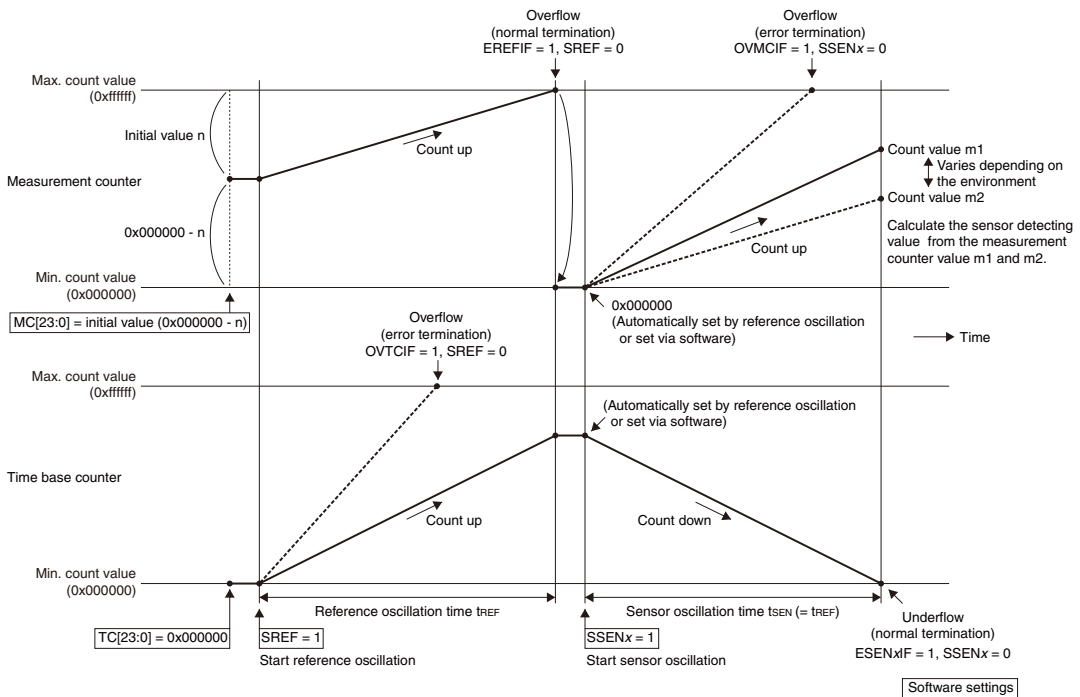


Figure 21.4.4.1 Counter Operations During Reference/Sensor Oscillation

Forced termination

To abort reference oscillation or sensor oscillation, write 0 to the RFC_nTRG.SREF bit (reference oscillation), the RFC_nTRG.SSENA bit (sensor A oscillation), or the RFC_nTRG.SSENB bit (sensor B oscillation) used to start the oscillation. The counters maintain the value at the point they stopped, note, however, that the conversion results cannot be guaranteed if the oscillation is resumed. When resuming oscillation, execute from counter initialization again.

Conversion error

Performing reference oscillation and sensor oscillation with the same resistor and capacitor results n ≈ m. The difference between n and m is a conversion error. Table 21.4.4.1 lists the error factors. (n: measurement counter initial value, m: measurement counter value at the end of sensor oscillation)

Table 21.4.4.1 Error Factors

Error factor	Influence
External part tolerances	Large
Power supply voltage fluctuations	Large
Parasitic capacitance and resistance of the board	Middle
Temperature	Small
Unevenness of IC quality	Small

21.4.5 CR Oscillation Frequency Monitoring Function

The CR oscillation clock (RFCLK) generated during converting operation can be output from the RFCLK n pin for monitoring. By setting the RFC $_n$ CTL.CONEN bit to 1, the RFC Ch. n enters continuous oscillation mode that disables oscillation stop conditions to continue oscillating operations. In this case, set the the RFC $_n$ TRG.SREF bit (reference oscillation), the RFC $_n$ TRG.SSENA bit (sensor A oscillation), or the RFC $_n$ TRG.SSENB bit (sensor B oscillation) to 1 to start oscillation. Set the bit to 0 to stop oscillation. Using this function helps easily measure the CR oscillation clock frequency. Furthermore, setting the RFC $_n$ CTL.RFCLKMD bit to 1 changes the output clock to the divided-by-two RFCLK clock.

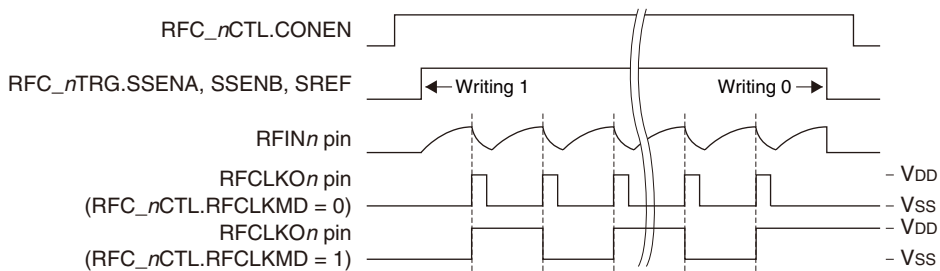


Figure 21.4.5.1 CR Oscillation Clock (RFCLK) Waveform

21.5 Interrupts

The RFC has a function to generate the interrupts shown in Table 21.5.1.

Table 21.5.1 RFC Interrupt Function

Interrupt	Interrupt flag	Set condition	Clear condition
Reference oscillation completion	RFC $_n$ INTF.EREFIF	When reference oscillation has been completed normally due to a measurement counter overflow	Writing 1
Sensor A oscillation completion	RFC $_n$ INTF.ESENAIF	When sensor A oscillation has been completed normally due to the time base counter reaching 0x000000	Writing 1
Sensor B oscillation completion	RFC $_n$ INTF.ESENBIF	When sensor B oscillation has been completed normally due to the time base counter reaching 0x000000	Writing 1
Measurement counter overflow error	RFC $_n$ INTF.OVMCIF	When sensor oscillation has been terminated abnormally due to a measurement counter overflow	Writing 1
Time base counter overflow error	RFC $_n$ INTF.OVTCIF	When reference oscillation has been terminated abnormally due to a time base counter overflow	Writing 1

The RFC provides interrupt enable bits corresponding to each interrupt flag. An interrupt request is sent to the CPU core only when the interrupt flag, of which interrupt has been enabled by the interrupt enable bit, is set. For more information on interrupt control, refer to the “Interrupt” chapter.

21.6 Control Registers

RFC Ch.*n* Clock Control Register

Register name	Bit	Bit name	Initial	Reset	R/W	Remarks
RFC_ <i>n</i> CLK	15–9	–	0x00	–	R	–
	8	DBRUN	1	H0	R/W	
	7–6	–	0x0	–	R	
	5–4	CLKDIV[1:0]	0x0	H0	R/W	
	3–2	–	0x0	–	R	
	1–0	CLKSRC[1:0]	0x0	H0	R/W	

Bits 15–9 Reserved

Bit 8 DBRUN

This bit sets whether the RFC operating clock is supplied in DEBUG mode or not.

1 (R/W): Clock supplied in DEBUG mode

0 (R/W): No clock supplied in DEBUG mode

Bits 7–6 Reserved

Bits 5–4 CLKDIV[1:0]

These bits select the division ratio of the RFC operating clock.

Bits 3–2 Reserved

Bits 1–0 CLKSRC[1:0]

These bits select the clock source of the RFC.

Table 21.6.1 Clock Source and Division Ratio Settings

RFC_ <i>n</i> CLK. CLKDIV[1:0] bits	RFC_ <i>n</i> CLK.CLKSRC[1:0] bits			
	0x0	0x1	0x2	0x3
	IOSC	OSC1	OSC3	EXOSC
0x3	1/8	1/1	1/8	1/1
0x2	1/4		1/4	
0x1	1/2		1/2	
0x0	1/1		1/1	

(Note) The oscillation circuits/external input that are not supported in this IC cannot be selected as the clock source.

Note: The RFC_*n*CLK register settings can be altered only when the RFC_*n*CTL.MODEN bit = 0.

RFC Ch.*n* Control Register

Register name	Bit	Bit name	Initial	Reset	R/W	Remarks
RFC_ <i>n</i> CTL	15–9	–	0x00	–	R	–
	8	RFCLKMD	0	H0	R/W	
	7	CONEN	0	H0	R/W	
	6	EVTEN	0	H0	R/W	
	5–4	SMODE[1:0]	0x0	H0	R/W	
	3–1	–	0x0	–	R	
	0	MODEN	0	H0	R/W	

Bits 15–9 Reserved

Bit 8 RFCLKMD

This bit sets the RFCLK*On* pin to output the divided-by-two oscillation clock.

1 (R/W): Divided-by-two clock output

0 (R/W): Oscillation clock output

For more information, refer to “CR Oscillation Frequency Monitoring Function.”

Bit 7 CONEN

This bit disables the automatic CR oscillation stop function to enable continuous oscillation function.

1 (R/W): Enable continuous oscillation

0 (R/W): Disable continuous oscillation

For more information, refer to “CR Oscillation Frequency Monitoring Function.”

Bit 6 EVTEN

This bit enables external clock input mode (event counter mode).

1 (R/W): External clock input mode

0 (R/W): Normal mode

For more information, refer to “Operating Modes.”

Note: Do not input an external clock before the RFC_nCTL.EVTEN bit is set to 1. The RFINn pin is pulled down to Vss level when the port function is switched for the R/F converter.

Bits 5–4 SMODE[1:0]

These bits configure the oscillation mode. For more information, refer to “Operating Modes.”

Table 21.6.2 Oscillation Mode Selection

RFC_nCTL.SMODE[1:0] bits	Oscillation mode
0x3, 0x2	Reserved
0x1	AC oscillation mode for resistive sensor measurements
0x0	DC oscillation mode for resistive sensor measurements

Bits 3–1 Reserved**Bit 0 MODEN**

This bit enables the RFC operations.

1 (R/W): Enable RFC operations (The operating clock is supplied.)

0 (R/W): Disable RFC operations (The operating clock is stopped.)

Note: If the RFC_nCTL.MODEN bit is altered from 1 to 0 during R/F conversion, the counter value being converted cannot be guaranteed. R/F conversion cannot be resumed.

RFC Ch.n Oscillation Trigger Register

Register name	Bit	Bit name	Initial	Reset	R/W	Remarks
RFC_nTRG	15–8	–	0x00	–	R	–
	7–3	–	0x00	–	R	
	2	SSENB	0	H0	R/W	
	1	SSENA	0	H0	R/W	
	0	SREF	0	H0	R/W	

Bits 15–3 Reserved**Bit 2 SSENB**

This bit controls CR oscillation for sensor B. This bit also indicates the CR oscillation status.

1 (W): Start oscillation

0 (W): Stop oscillation

1 (R): Being oscillated

0 (R): Stopped

Note: Writing 1 to the RFC_nTRG.SSENB bit does not start oscillation when the RFC_nCTL.SMODE[1:0] bits = 0x1 (AC oscillation mode for resistive sensor measurements).

Bit 1 SSENA

This bit controls CR oscillation for sensor A. This bit also indicates the CR oscillation status.

1 (W): Start oscillation

0 (W): Stop oscillation

1 (R): Being oscillated

0 (R): Stopped

21 R/F CONVERTER (RFC)

Bit 0 SREF

This bit controls CR oscillation for the reference resistor. This bit also indicates the CR oscillation status.

- 1 (W): Start oscillation
- 0 (W): Stop oscillation
- 1 (R): Being oscillated
- 0 (R): Stopped

- Notes:**
- Settings in this register are all ineffective when the RFC_nCTL.MODEN bit = 0 (RFC operation disabled).
 - When writing 1 to the RFC_nTRG.SREF bit, the RFC_nTRG.SSENA bit, or the RFC_nTRG.SSENB bit to start oscillation, be sure to avoid having more than one bit set to 1.
 - Be sure to clear the interrupt flags (RFC_nINTF.EREFIF bit, RFC_nINTF.ESENAIF bit, RFC_nINTF.ESENBIF bit, RFC_nINTF.OVMCIF bit, and RFC_nINTF.OVTCIF bit) before starting oscillation using this register.

RFC Ch.n Measurement Counter Low and High Registers

Register name	Bit	Bit name	Initial	Reset	R/W	Remarks
RFC_nMCL	15-0	MC[15:0]	0x0000	H0	R/W	-
RFC_nMCH	15-8	-	0x00	-	R	-
	7-0	MC[23:16]	0x00	H0	R/W	

Or

Register name	Bit	Bit name	Initial	Reset	R/W	Remarks
RFC_nMCL	31-24	-	0x00	-	R	-
RFC_nMCH	23-0	MC[23:0]	0x000000	H0	R/W	-

Bits 31-24 Reserved

Bits 23-0 MC[23:0]

Measurement counter data can be read and written through these bits.

- Note:** The measurement counter must be set from the low-order value (RFC_nMCL.MC[15:0] bits) first when data is set using a 16-bit access instruction. The counter may not be set to the correct value if the high-order value (RFC_nMCH.MC[23:16] bits) is written first.

RFC Ch.n Time Base Counter Low and High Registers

Register name	Bit	Bit name	Initial	Reset	R/W	Remarks
RFC_nTCL	15-0	TC[15:0]	0x0000	H0	R/W	-
RFC_nTCH	15-8	-	0x00	-	R	-
	7-0	TC[23:16]	0x00	H0	R/W	

Or

Register name	Bit	Bit name	Initial	Reset	R/W	Remarks
RFC_nTCL	31-24	-	0x00	-	R	-
RFC_nTCH	23-0	TC[23:0]	0x000000	H0	R/W	-

Bits 31-24 Reserved

Bits 23-0 TC[23:0]

Time base counter data can be read and written through these bits.

- Note:** The time base counter must be set from the low-order value (RFC_nTCL.TC[15:0] bits) first when data is set using a 16-bit access instruction. The counter may not be set to the correct value if the high-order value (RFC_nTCH.TC[23:16] bits) is written first.

RFC Ch.n Interrupt Flag Register

Register name	Bit	Bit name	Initial	Reset	R/W	Remarks
RFC_nINTF	15-8	-	0x00	-	R	-
	7-5	-	0x0	-	R	
	4	OVTCIF	0	H0	R/W	Cleared by writing 1.
	3	OVMCIF	0	H0	R/W	
	2	ESENBIF	0	H0	R/W	
	1	ESENAIF	0	H0	R/W	
	0	EREFIF	0	H0	R/W	

Bits 15-5 Reserved

Bit 4	OVTCIF
Bit 3	OVMCIF
Bit 2	ESENBIF
Bit 1	ESENAIF
Bit 0	EREFIF

These bits indicate the RFC interrupt cause occurrence status.

- 1 (R): Cause of interrupt occurred
- 0 (R): No cause of interrupt occurred
- 1 (W): Clear flag
- 0 (W): Ineffective

The following shows the correspondence between the bit and interrupt:
 RFC_nINTF.OVTCIF bit: Time base counter overflow error interrupt
 RFC_nINTF.OVMCIF bit: Measurement counter overflow error interrupt
 RFC_nINTF.ESENBIF bit: Sensor B oscillation completion interrupt
 RFC_nINTF.ESENAIF bit: Sensor A oscillation completion interrupt
 RFC_nINTF.EREFIF bit: Reference oscillation completion interrupt

RFC Ch.n Interrupt Enable Register

Register name	Bit	Bit name	Initial	Reset	R/W	Remarks
RFC_nINTE	15-8	-	0x00	-	R	-
	7-5	-	0x0	-	R	
	4	OVTCIE	0	H0	R/W	
	3	OVMCIE	0	H0	R/W	
	2	ESENBIE	0	H0	R/W	
	1	ESENAIE	0	H0	R/W	
	0	EREFIE	0	H0	R/W	

Bits 15-5 Reserved

Bit 4	OVTCIE
Bit 3	OVMCIE
Bit 2	ESENBIE
Bit 1	ESENAIE
Bit 0	EREFIE

These bits enable RFC interrupts.

- 1 (R/W): Enable interrupts
- 0 (R/W): Disable interrupts

The following shows the correspondence between the bit and interrupt:
 RFC_nINTE.OVTCIE bit: Time base counter overflow error interrupt
 RFC_nINTE.OVMCIE bit: Measurement counter overflow error interrupt
 RFC_nINTE.ESENBIE bit: Sensor B oscillation completion interrupt
 RFC_nINTE.ESENAIE bit: Sensor A oscillation completion interrupt
 RFC_nINTE.EREFIE bit: Reference oscillation completion interrupt

22 USB 2.0 FS Device Controller (USB, USBMISC)

22.1 Overview

The USB 2.0 FS Device Controller (hereinafter referred to as USB controller) is a USB target device controller that supports FS mode based on the USB 2.0 standard. The features of the USB controller are listed below.

- Supports transfer at FS (12 Mbps).
- Supports control, bulk, and interrupt transfers (isochronous transfer is not supported).
- Supports three general-purpose endpoints (transaction direction, endpoint number, and enabling/disabling of the endpoint are configurable individually) and endpoint 0.
- Incorporates total 256-byte FIFO for endpoints (64 bytes for each endpoint).
- 48 MHz clock or PLL clock (12 MHz × 4) input

Figure 22.1.1 shows the USB controller configuration.

Table 22.1.1 USB Controller Configuration of S1C31W74

Item	S1C31W74
Endpoints	EP0, EPa, EPb, EPc
FIFO	EP0: 64 bytes, EPa: 64 bytes, EPb: 64 bytes, EPc: 64 bytes (256 bytes in total)
USB clock source	USBOSC (48 MHz oscillator) or PLL (12 MHz clock × 4)

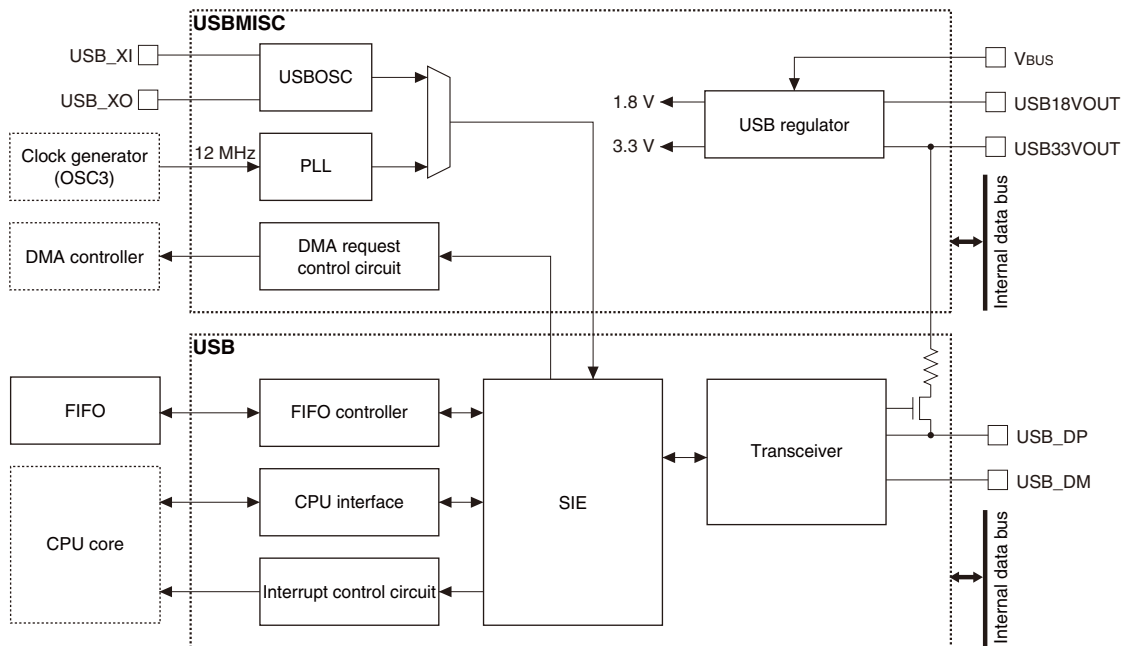


Figure 22.1.1 USB Controller Configuration

SIE (Serial interface engine)

The SIE manages transactions and generates packets. It also controls bus events such as Suspend, Resume and Reset operations.

FIFO

This is a 256-byte buffer for endpoints.

FIFO controller

This controller performs FIFO SRAM address management, timing generation, arbitration and more.

CPU interface (user bus interface and peripheral bus interface)

Controls timings of the CPU interface and enables register access.

Notes: • The USB controller hardware provides endpoints and manages transactions. However, it does not provide a management function in the interface defined for USB (hereinafter referred to as USB-defined interface). The USB-defined interface should be implemented in the firmware. According to the device-specific descriptor definition, set endpoints as required and configure the USB-defined interface using an appropriate endpoint combination.

- This chapter use a general name as shown below to describe the endpoints and the control registers/bits with the same function that are provided for each endpoint.

EPn: Refers to all endpoints (EP0, EPa, EPb, and EPc), and it is also used for their registers/bits with the same function.

Example: USBEPnCFG.DIR bit

(= USBEP0CFG.DIR, USBEPACFG.DIR, USBEPBCFG.DIR, or USBEPCCFG.DIR bit)

EPm: Refers to general-purpose endpoints (EPa, EPb, and EPc), and it is also used for their registers/bits with the same function.

Example: USBEPmCTL.TGLSTAT bit

(= USBEPACTL.TGLSTAT, USBEPBCTL.TGLSTAT, or USBEPCCTL.TGLSTAT bit)

USBRWFIFOSEL.EPmRD bit

(= USBRWFIFOSEL.EPARD, USBRWFIFOSEL.EPBRD, or USBRWFIFOSEL.EPCRD bit)

22.2 Input/Output Pins and External Connections

22.2.1 List of Input/Output Pins

Table 22.2.1.1 lists the USB controller pins.

Table 22.2.1.1 List of USB Controller Pins

Pin name	I/O*	Initial status*1	Function
USB_DP	I/O	I	USB D+ signal input/output
USB_DM	I/O	I	USB D- signal input/output
V _{BUS}	P	–	USB V _{BUS} input (5 V can be applied.)
USB18VOUT	P	–	USB 1.8 V regulator output
USB33VOUT	P	–	USB 3.3 V regulator output
USB_XI	A	–	USBOSC oscillator circuit input
USB_XO	A	–	USBOSC oscillator circuit output
V _{BUS} _MON *2	I	I	V _{BUS} detection input

*1 Indicates the status when the pin is configured for the USB controller.

*2 The software should configure the V_{BUS}_MON pin to a general-purpose input port when detecting V_{BUS} connection, or to the EXSVD1 input of the supply voltage detector when detecting V_{BUS} voltage drop or disconnection.

If the port is shared with the USB controller pin and other functions, the USB input/output function must be assigned to the port before activating the USB controller. For more information, refer to the “I/O Ports” chapter.

22.2.2 External Connections

Figure 22.2.2.1 shows a connection diagram between the USB controller pins of this IC and an external USB device. The USB_DP pin has a built-in pull up resistor that can be enabled/disabled via software.

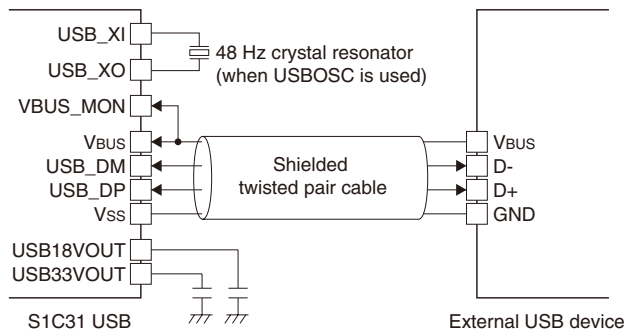


Figure 22.2.2.1 Connections between USB controller and an External USB Device

22.3 Clock Settings

The 48 MHz USB operating clock can be selected from two different clock sources shown below using the USBMISCCTL.USBCLKSEL bit.

- (1) USBOSC (48 MHz oscillator circuit for the USB controller)
- (2) PLL (multiplies the 12 MHz OSC3 oscillator output by four)

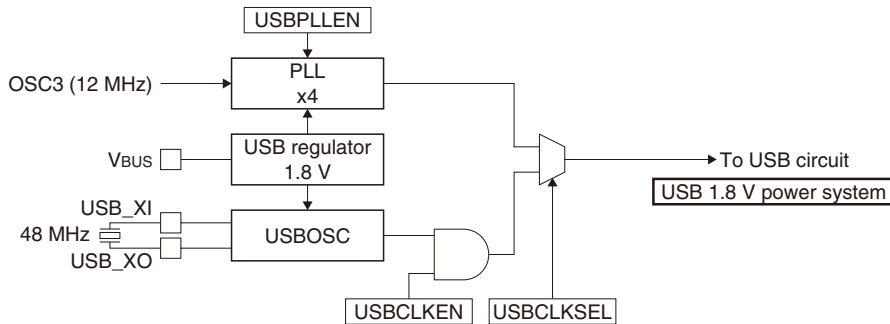


Figure 22.3.1 USB Clock System

Note: Configure the system clock to 16 MHz or lower when operating the USB controller.

When using USBOSC

The USBOSC is the oscillator circuit dedicated for the USB controller and it uses an external 48 MHz crystal resonator. This oscillator circuit activates/deactivates in synchronization with the 1.8 V USB regulator, so on/off control is not required. However, be aware that a stabilization time (refer to “Electrical Characteristics”) is required until the USBOSC clock can be used after turning the USB regulator on. Furthermore, to supply the clock to the USB circuit, the USBMISCCTL.USBCLKEN bit must be set to 1 after the USB regulator output has been stabilized.

When using PLL

The PLL multiplies the OSC3 oscillator circuit output clock by four to generate the 48 MHz USB operating clock. Therefore, a stable 12 MHz clock must be supplied from the OSC3 oscillator circuit.

The PLL operation can be controlled using the USBMISCCTL.USBPLEN bit. The PLL requires an output stabilization time (refer to “Electrical Characteristics”) until the output clock can be used after the PLL starts operating.

For controlling the OSC3 oscillator circuit, refer to the “Clock Generator” section in the “Power Supply, Reset, and Clocks” chapter.

For the clock source control timings, refer to Section 22.5.1, “Initialization.”

Clock supply during debugging

In debug state, control the USB clock in the same way as normal operation.

22.4 USB Power Supply

The USB controller includes 3.3 V and 1.8 V regulators to operate the USB functional blocks using the VBUS power only as the power source.

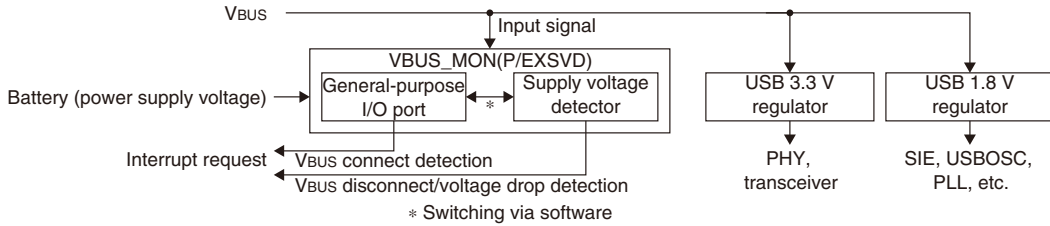


Figure 22.4.1 USB Power System

The 3.3V regulator and the 1.8 V regulator are controlled with the USBMISCCTL.REG3.3EN bit and the USBMISCCTL.REG1.8EN bit, respectively. These regulators require an output stabilization time (refer to “Electrical Characteristics”) until the output voltage can be used after they start operating. For the regulator control timings, refer to Section 22.5.1, “Initialization.”

Note: Configure the VD1 regulator voltage mode to mode0 when operating the USB controller.

22.5 Operations

22.5.1 Initialization

The S1C31 MCU assumes that the USB controller is powered by VBUS, therefore it is necessary to perform advance settings before connecting to VBUS (Attach), power sequence control after connecting to VBUS, and sequence control after power-up. The following shows these procedures.

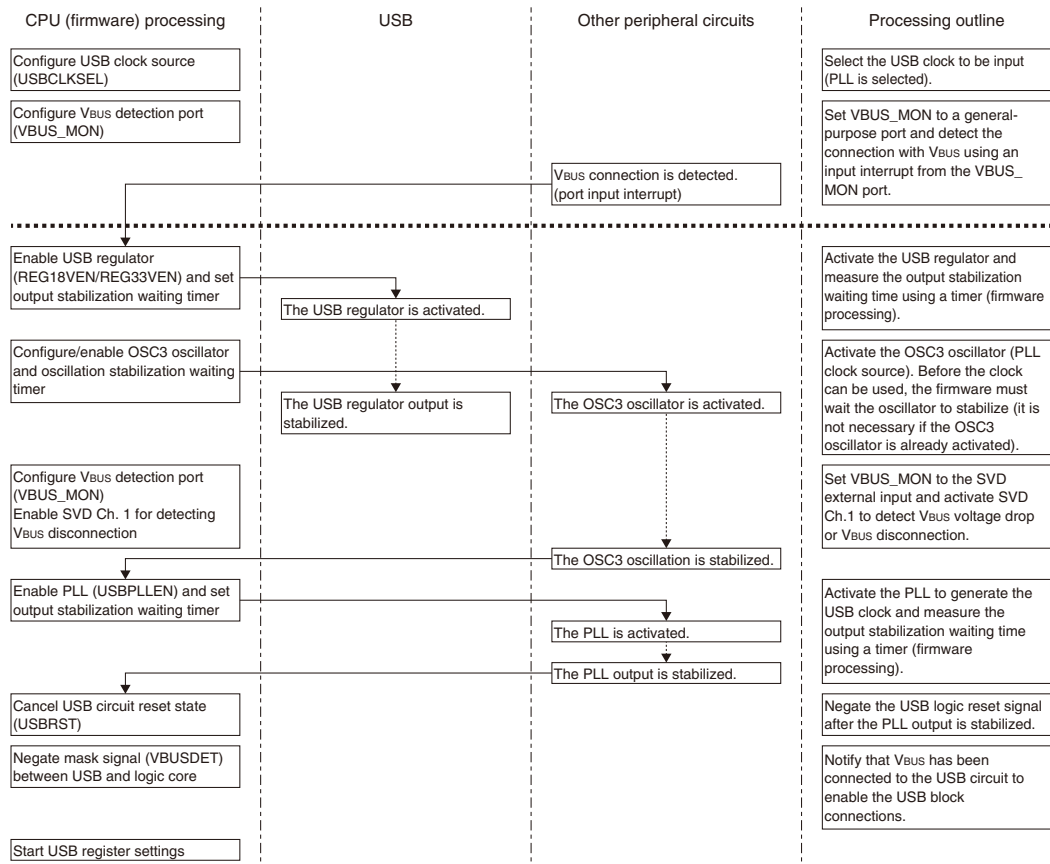


Figure 22.5.1.1 Processing flow before and after VBUS is connected (when PLL is used)

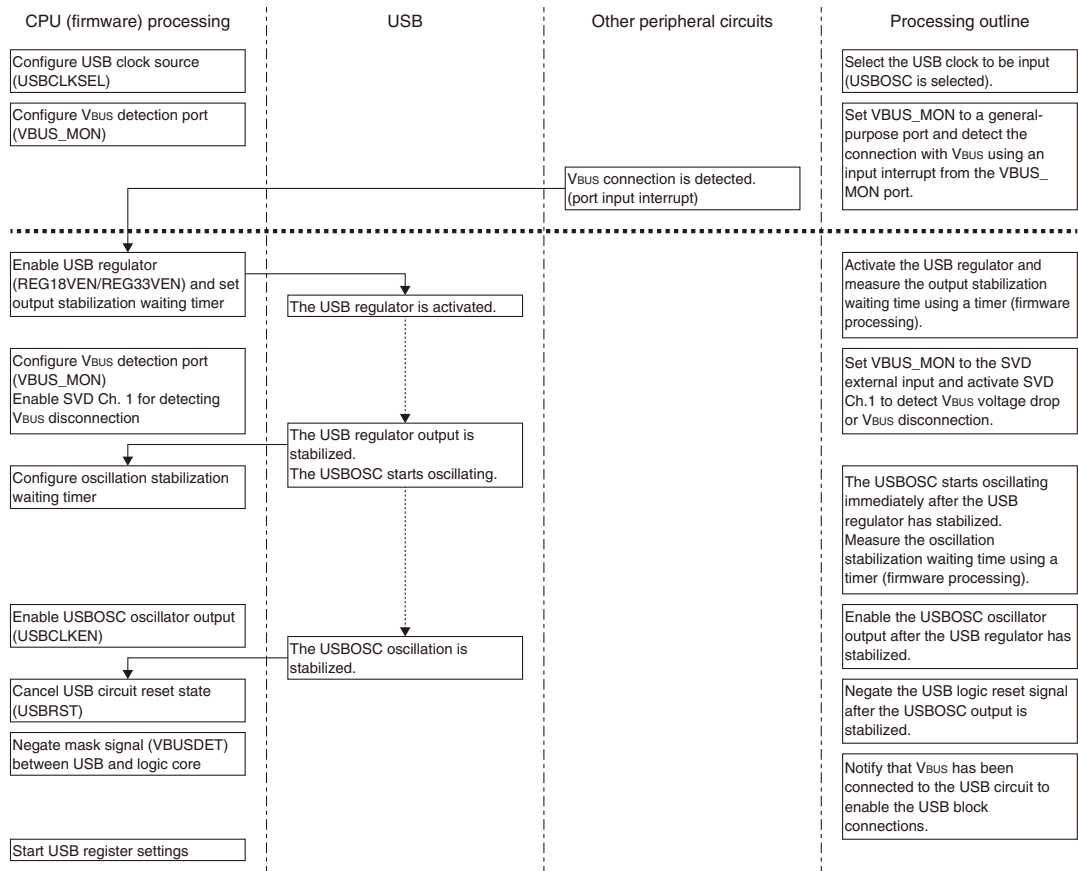


Figure 22.5.1.2 Processing flow before and after Vbus is connected (when USBOSC is used)

Advance settings before connecting to Vbus

- Write 0x0096 to the SYSPROT.PROT[15:0] bits. (Remove system protection)
- Configure the following USBMISCCTL register bits:
 - USBMISCCTL.USBCLKSEL bit (Select clock source)
 - USBMISCCTL.USBWAIT bit (Select number of bus access cycles)
- Configure the VBUS_MON port as a general-purpose input port and enable the input interrupt (refer to the “I/O Ports” chapter).
- Wait for a VBUS_MON input interrupt.

When VBUS is connected, an input interrupt occurs from the VBUS_MON port. When the interrupt has occurred, perform the power sequence control after connecting to VBUS as shown below.

Note: The USB regulator and FIFO cannot be accessed before VBUS is connected.

Power sequence control after connecting to Vbus (when PLL is used)

- Configure the following USBMISCCTL register bits:
 - Set the USBMISCCTL.REG18VEN bit to 1. (Turn 1.8 V regulator on)
 - Set the USBMISCCTL.REG33VEN bit to 1. (Turn 3.3 V regulator on)
- Measure the USB regulator output stabilization waiting time using a timer with the interrupt enabled.
- Activate the OSC3 oscillator circuit after setting the oscillation stabilization waiting time and interrupt (refer to the “Clock Generator” section in the “Power Supply, Reset, and Clocks” chapter).
This operation is not required when the OSC3 oscillator circuit is stably operating already.
- Wait for the timer interrupt enabled in Step 2.
- Configure the VBUS_MON port as the SVD external input (refer to the “I/O Ports” chapter).
- Activate the SVD for detecting VBUS disconnection (refer to the “Supply Voltage Detector” chapter).

22 USB 2.0 FS DEVICE CONTROLLER (USB, USBMISC)

7. Wait for the OSC3 oscillation stabilization waiting completion interrupt enabled in Step 3.
8. Set the USBMISCCTL.USBPLEN bit to 1. (Turn PLL on)
9. Measure the PLL output stabilization waiting time using a timer with the interrupt enabled.
10. Wait for a timer interrupt enabled in Step 9.

When the interrupt has occurred, perform the sequence control after power-up.

Power sequence control after connecting to Vbus (when USBOSC is used)

1. Configure the following USBMISCCTL register bits:
 - Set the USBMISCCTL.REG18VEN bit to 1. (Turn 1.8 V regulator on)
 - Set the USBMISCCTL.REG33VEN bit to 1. (Turn 3.3 V regulator on)
2. Measure the USB regulator output stabilization waiting time using a timer with the interrupt enabled.
3. Configure the VBUS_MON port as the SVD external input (refer to the “I/O Ports” chapter).
4. Activate the SVD for detecting VBUS disconnection (refer to the “Supply Voltage Detector” chapter).
5. Wait for the timer interrupt enabled in Step 2.
6. Measure the USBOSC oscillation stabilization waiting time using a timer with the interrupt enabled.
7. Set the USBMISCCTL.USBCLKEN bit to 1. (Enable USBOSC oscillator output)
8. Wait for the timer interrupt enabled in Step 6.

When the interrupt has occurred, perform the sequence control after power-up.

Sequence control after power-up

1. Set the USBMISCCTL.USBRST bit to 1. (Cancel USB circuit reset state)
2. Set the USBMISCCTL.VBUSDET bit to 1. (Notify detected VBUS connection)
This operation notifies the logical blocks related to the USB that the port has detected VBUS connection.
This connects the logical blocks to the USB controller.
This operation enables the USB control registers to be accessed.
3. Write a value other than 0x0096 to the SYSPROT.PROT[15:0] bits. (Set system protection)

USB register initial settings

The basic configurations for the USB controller and endpoints are shown below. Settings related to the transaction and auto-negotiation control are described later.

1. Set the USBCTL.USBEN bit to 1. (Enable USB controller)
2. Configure the USBEP0SIZE.MAXSIZE[3:0] bits. (Set EP0 maximum packet size)
3. Configure the following USBEPmCFG register bits:
 - USBEPmCFG.MAXSIZE[6:0] bits (Set EPm maximum packet size)
 - USBEPmCFG.DIR bit (Set EPm transaction direction)
 - USBEPmCFG.EPNUM[3:0] bits (Set EPm endpoint number)
 - USBEPmCFG.TGLMOD bit (Set EPm toggle mode)
 - Set the USBEPmCFG.EPEN bit to 1. (Enable EPm)
4. Set the USBFIFORDCYC.RDCYC[1:0] bits. (Set number of FIFO read access cycles)
5. Set interrupt control bits as necessary when using the interrupt:
 - Write 1 to the interrupt flags in the USB***INTF register. (Clear interrupt flags)
 - Set the interrupt enable bits in the USB***INTE register to 1. (Enable interrupts)
6. Configure the DMA controller and set the following USB control bits when using DMA transfer:
 - Write 1 to the DMA transfer request enable bits in the USBMISCWRDMAEN and USBMISCRDDMAEN registers. (Enable DMA transfer requests)
7. Check that the USBSTAT.LINESTAT[1:0] bits are set to 0x1 (J).
8. Set the USBCTL.AUTONEGOEN bit to 1. (Enable auto-negotiation)

22.5.2 Settings when Vbus is Disconnected

Use the SVD for detecting VBUS disconnection (Detach) and perform the processing shown below when a detection interrupt has occurred.

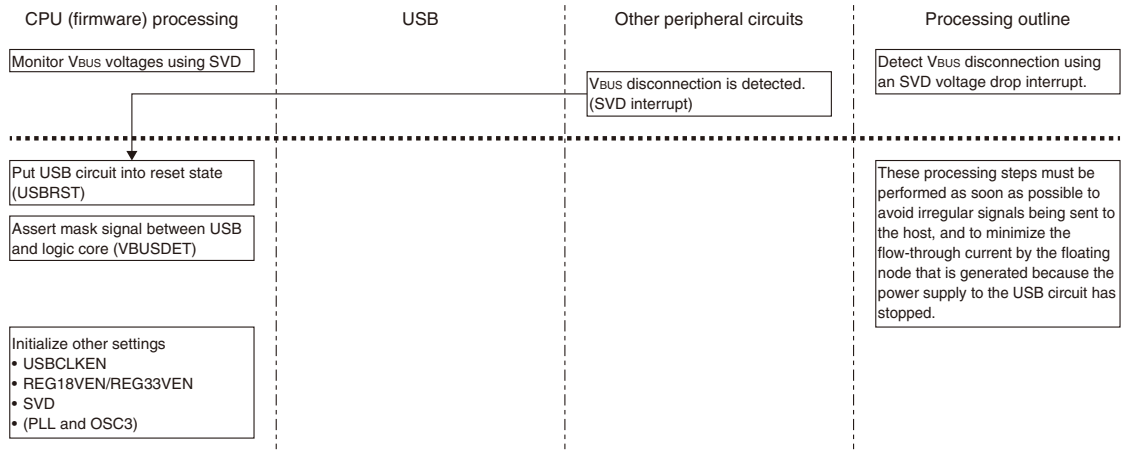


Figure 22.5.2.1 Processing Flow when VBUS is Disconnected

1. Write 0x0096 to the SYSPROT.PROT[15:0] bits. (Remove system protection)
2. Set the USBMISCCTL.USBRST bit to 0. (Put USB circuit into reset state)
3. Set the USBMISCCTL.VBUSDET bit to 0. (Notify detected VBUS disconnection)

Note: When VBUS is disconnected, the power supply to the USB controller is cut off. Therefore, Steps 1 to 3 above must be performed as soon as possible after an SVD Ch.1 interrupt has occurred to avoid irregular signals being sent to the CPU, and to minimize the flow-through current by the floating node generated.

4. Set the USBMISCCTL.USBCLKEN bit to 0. (Disable USB clock supply)
5. Configure the following USBMISCCTL register bits:
 - Set the USBMISCCTL.REG18VEN bit to 0. (Turn 1.8 V regulator off)
 - Set the USBMISCCTL.REG33VEN bit to 0. (Turn 3.3 V regulator off)
6. Deactivate the SVD Ch.1 for detecting VBUS disconnection (refer to the “Supply Voltage Detector” chapter).
7. When PLL is used, perform the following control procedure:
 - Set the USBMISCCTL.USBPLEN bit to 0. (Turn PLL off)
 - Deactivate the OSC3 oscillator circuit if it is not necessary (refer to the “Clock Generator” section in the “Power Supply, Reset, and Clocks” chapter).
8. Write a value other than 0x0096 to the SYSPROT.PROT[15:0] bits. (Set system protection)

22.5.3 Transaction Control

The USB controller references the FIFO when responding to a transaction and determines if data transfer is possible based on the number of data or vacancies to automatically handle the transaction. For example, for an OUT endpoint, software can smoothly and sequentially process OUT transactions by reading data from the FIFO to create a space in the FIFO. On the other hand, for an IN endpoint, software can smoothly and sequentially process IN transactions by writing data to the FIFO to create valid data. The following describes the basic operations of the SETUP, OUT, and IN transactions.

SETUP transaction

A SETUP transaction sequence is shown below.



Figure 22.5.3.1 SETUP Transaction

1. The host issues a SETUP token addressed to EP0 of this node.
2. Next, the host sends an 8-byte data packet.
3. The USB controller writes this data to the USBEP0SETUP0 to 7 registers.

When Steps 1 to 3 have been finished normally

4. The USB controller automatically returns an ACK response.
5. The USB controller sets/clears the following bits:
 - The USBMAININTF.EPOSETIF bit is set.
 - The USBEP0ICTL.FNAK bit is set.
 - The USBEP0ICTL.FSTALL bit is cleared.
 - The USBEP0ICTL.TGLSTAT bit is set.
 - The USBEP0OCTL.FNAK bit is set.
 - The USBEP0OCTL.FSTALL bit is cleared.
 - The USBEP0OCTL.TGLSTAT bit is set.
6. The software decides the transaction direction of the next stage by reading the USBEP0SETUP0 to 7 register contents and clears the USBEP0ICTL.FNAK bit (IN) or USBEP0OCTL.FNAK bit (OUT) for the transaction direction.

When an error has occurred

- 4a. The USB controller does not respond to the host.
- 5a. The USB controller does not set/clear the control bits in Step 5 above.

For the control method and operations of the control transfer including a SETUP transaction, refer to Section 22.5.4, "Control Transfer."

OUT transaction

An OUT transaction sequence is shown below.



Figure 22.5.3.2 OUT Transaction

1. The host issues an OUT token addressed to an OUT endpoint of this node.
2. Next, the host sends a data packet under the maximum packet size.
3. The USB controller writes this data in the relevant endpoint's FIFO.
The USB controller starts data reception regardless of the available space in the FIFO, and it continues data reception if the FIFO is not full.

When data has been received successfully

4. The USB controller returns an ACK response.
5. The USB controller updates the FIFO so that the received data can be read out.
6. The USB controller sets the USBEP n INTF.OUTACKIF bit of the relevant endpoint.
7. When EP m has received a short-packet data, the USB controller sets the USBEP m INTF.OUTSHACKIF bit of the relevant endpoint. If the USBEP m CTL.AUTOFNAKDIS bit is cleared, the USBEP m CTL.FNAK bit is also set.

When a toggle mismatch has occurred

- 4a. The USB controller returns an ACK response.
- 5a. The USB controller does not update the FIFO.
- 6a. The USB controller does not set the USBEP n INTF.OUTACKIF bit.
- 7a. The USB controller does not set the USBEP m INTF.OUTSHACKIF and USBEP m CTL.FNAK bits.

When the FIFO becomes full

- 3b. The USB controller suspends data reception if the FIFO becomes full in Step 3.
- 4b. The USB controller returns a NAK response.
- 5a. The USB controller does not update the FIFO.
- 6b. The USB controller sets the USBEP n INTF.OUTNAKIF bit.
- 7b. The USB controller does not set the USBEP m INTF.OUTSHACKIF and USBEP m CTL.FNAK bits.

When an error has occurred

- 4b. If an error has occurred during data transfer, the USB controller does not return a response to the transaction.
- 5b. The USB controller does not update the FIFO.
- 6b. The USB controller sets the USBEP n INTF.OUTERRIF bit.
- 7b. The USB controller does not set the USBEP m INTF.OUTSHACKIF and USBEP m CTL.FNAK bits.

IN transaction

An IN transaction sequence is shown below.



Figure 22.5.3.3 IN Transaction

1. The host issues an IN token addressed to an IN endpoint of this node.
2. If data of a maximum packet size or larger exists in the FIFO for the IN endpoint, the USB controller transmits data of a maximum packet size.
When short-packet transmission has been enabled (USBEP0(I/O)CTL.SPKTEN bit or USBEP m CTL.SPKTEN bit = 1), the USB controller transmits data written into the FIFO (including a zero-length data packet) even if no maximum packet size data exists in the FIFO. However, make sure that no attempt is made to write any new data into the endpoint's FIFO until the transaction is closed.

When all data has been transmitted successfully

3. The host returns an ACK response.
 4. The USB controller updates the FIFO and frees the space for the transmitted data.
 5. The USB controller sets the following bits after an ACK response is received:
 - The USBEP n INTF.INACKIF bit is set.
 - The USBEP0ICTL.FNAK bit is set. *
- * When the IN transaction that transmits a short-packet data is closed on EP0.

When no maximum packet size data exists in the FIFO and short-packet transmission has not been enabled

- 2b. The USB controller returns a NAK response instead of data transmission.
- 4b. The USB controller does not update the FIFO.
- 5b. The USB controller sets the USBEP n INTF.INNAK bit.

When no ACK response is returned from the host after data has been transmitted

- 5b. The USB controller sets the USBEP n INTF.INERR bit.

22.5.4 Control Transfer

Control transfer on EP0 consists of a setup stage, a data stage, and a status stage that are controlled as a combination of a number of discrete transactions.

A control transfer sequence for an OUT data stage is shown below.



Figure 22.5.4.1 Control Transfer Having an OUT Data Stage

1. The host starts control transfer in a SETUP transaction. The device’s firmware analyzes the request contents to prepare for responding to a data stage.
2. The host issues an OUT transaction and executes a data stage, and the device receives data.
3. The host issues an IN transaction and executes a status stage, and the device returns a zero-length data packet. Transition to a status stage is triggered by an issuance of a transaction by the host whose direction is opposite to that of the data stage.

Control transfer without a data stage is executed as in this example but without the data stage.

A control transfer sequence for an IN data stage is shown below.



Figure 22.5.4.2 Control Transfer Having an IN Data Stage

1. The host starts control transfer in a SETUP transaction. The device’s firmware analyzes the request contents to prepare for responding to a data stage.
2. The host issues an IN transaction and executes a data stage, and the device transmits data.
3. The host issues an OUT transaction and executes a status stage, and the device returns an ACK response. Transition to a status stage is triggered by an issuance of a transaction by the host whose direction is opposite to that of the data stage.

Since data and status stages in control transfer execute ordinary OUT and IN transactions, flow control using NAK responses works effectively. The device is allowed to prepare for returning responses within a specified time frame.

Setup stage

The USB controller automatically executes a SETUP transaction upon reception of a SETUP token addressed to its own node.

A software processing flow in a setup stage is shown below.

1. Wait until the USBMAININTF.EP0SETIF bit is set to 1 (an interrupt can be used).
2. Read the USBEP0SETUP0–USBEP0SETUP7 registers and analyze the request.
3. Clear the USBMAININTF.EP0SETIF bit by writing 1.
4. Transit to the data or status stage according to the analysis result of the request.

Data stage

When a request that involves an OUT data stage is received

1. Set the USBEP0CFG.DIR bit to 0. (Configure EP0 to OUT direction)
2. Set the following OUT transaction control bits in the USBEP0CTL register:
 - USBEP0CTL.AUTOFNAK bit (Enable/disable automatic forced NAK response function)
 - Set the USBEP0CTL.FNAK bit to 0. (Disable forced NAK response)

If the FIFO has an available space, the USB controller automatically receives data. For more information, refer to “OUT transfer” in Section 22.5.6, “Data Flow Control.”

Furthermore, monitor the USBEP0INTF.INNAKIF bit (an interrupt can be used) and transit to the status stage if it is set.

When a request that involves an IN data stage is received

1. Set the USBEP0CFG.DIR bit to 1. (Configure EP0 to IN direction)
2. Set the following IN transaction control bits in the USBEP0ICTL register:
 - USBEP0ICTL.SPKTEN bit (Enable/disable short packet transmission)
 - Set the USBEP0ICTL.FNAK bit to 0. (Disable forced NAK response)

If the FIFO contains valid data, the USB controller automatically transmits data. For more information, refer to “IN transfer” in Section 22.5.6, “Data Flow Control.”

Furthermore, monitor the USBEP0INTF.OUTNAKIF bit (an interrupt can be used) and transit to the status stage if it is set.

Status stage

When a request that does not involve a data stage is received, or when starting a status stage after an OUT data stage

1. Set the USBEP0CFG.DIR bit to 1. (Configure EP0 to IN direction)
2. Set the following IN transaction control bits in the USBEP0ICTL register:
 - Set the USBEP0ICTL.SPKTEN bit to 1. (Enable short packet transmission)
 - Set the USBEP0ICTL.FNAK bit to 0. (Disable forced NAK response)

The USB controller returns a zero-length packet data.

When starting a status stage after an IN data stage

1. Set the USBEP0CFG.DIR bit to 0. (Configure EP0 to OUT direction)
2. Set the following OUT transaction control bit in the USBEP0OCTL register:
 - Set the USBEP0OCTL.FNAK bit to 0. (Disable forced NAK response)

The USB controller returns an ACK response.

Automatic address setting function

The USB controller can automatically load the address to the USBADDR.USBADDR[6:0] bits when EP0 has received a SetAddress() request in a control transfer. To enable this function, perform the processing shown below via software.

1. Confirm if the value read from the USBEP0SETUP0–USBEP0SETUP7 registers is a valid SetAddress() request in the setup stage.
2. Set the USBADDR.ATADDR bit to 1. (Enable automatic address setting function)
3. Set the USBEP0CFG.DIR bit to 1. (Configure EP0 to IN direction)
4. Set the following IN transaction control bits in the USBEP0ICTL register:
 - Set the USBEP0ICTL.SPKTEN bit to 1. (Enable short packet transmission)
 - Set the USBEP0ICTL.FNAK bit to 0. (Disable forced NAK response)

After this function is enabled and the IN transaction at EP0 is completed, the USB controller extracts the address from the data in the SetAddress() request and sets it to the USBADDR.USBADDR[6:0] bits. Meanwhile, the USBSIEINTF.ATADDRIF is set to 1 (an interrupt can be generated).

After this function is enabled, if any other transaction is invoked at EP0 before an IN transaction is executed, this function is canceled and the USBADDR.ATADDR bit is cleared. Accordingly, the USBSIEINTF.ATADDRIF is not set.

22.5.5 Bulk Transfer/Interrupt Transfer

Bulk and interrupt transfers at a general-purpose endpoint EP_m , can be controlled either as a data flow (refer to Section 22.5.6, “Data Flow Control”) or as a series of discrete transactions (refer to Section 22.5.3, “Transaction Control”).

22.5.6 Data Flow Control

This section describes controlling standard data flows in OUT and IN transfers.

OUT transfer

If the FIFO has available space for receiving data packets, the USB controller automatically responds to OUT transactions to receive data. This enables software to perform OUT transfer without individual transaction control. Note, however, that the USBEP m CTL.FNAK bit of the endpoint is set if a short packet is received (including zero-length data packet) when the USBEP m CTL.AUTOFNAKDIS bit is cleared. Clear the USBEP m CTL.FNAK bit when the next data transfer is ready.

Data received from an OUT transfer is placed on the FIFO at the respective endpoint. For the FIFO data reading procedure, refer to Section 22.5.9, “FIFO Management.”

Figure 22.5.6.1 shows a data flow in OUT transfer. In this example, the FIFO area assigned to this endpoint is assumed to be twice as large as the maximum packet size.

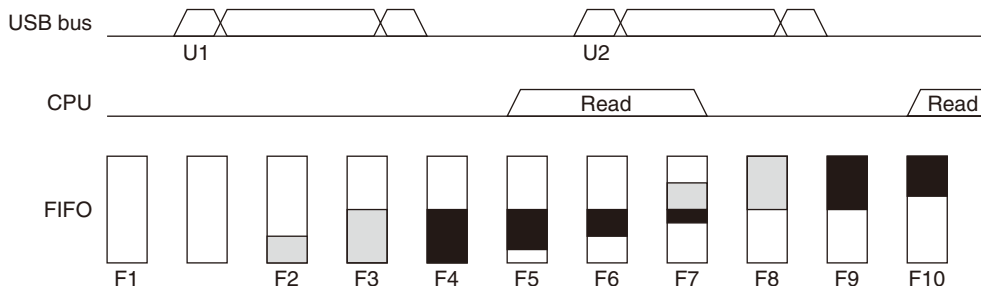


Figure 22.5.6.1 Example of Data Flow in OUT Transfer

- (U1) Data transfer of the packet size is performed in the first OUT transaction.
- (U2) Data transfer of the packet size is performed in the second OUT transaction.
- (F1) The FIFO is empty.
- (F2) An OUT transaction is proceeded, and data reception has started in the FIFO. At this point, the FIFO data is not considered to be valid since the transaction is not closed.
- (F3) Although data packet reception is completed from the OUT transaction, the FIFO data is not considered to be valid since the transaction is not closed.
- (F4) The OUT transaction is closed and the received data are considered to be valid.
- (F5) The presence of valid data in the FIFO causes the CPU to start reading the FIFO.
- (F6) Reading the FIFO by the CPU reduces the amount of the remaining valid data in the FIFO.
- (F7) Starting the next transaction starts writing data. The CPU continues reading the FIFO as long as any valid data remains.
- (F8) The CPU has stopped reading the FIFO as there is no valid data left. The second OUT transaction is not closed yet.
- (F9) The second OUT transaction is closed, causing the FIFO data to become valid.
- (F10) The presence of valid data in the FIFO causes the CPU to restart reading the FIFO.

IN transfer

If the FIFO contains data exceeding the maximum packet size, the USB controller automatically responds to IN transactions to perform data transmission. This enables software to perform IN transfer without individual transaction control. Note, however, that the USBEP m CTL.SPKTEN bit should be set if it is necessary to transmit a short packet at the end of the data transfer. Since this bit is cleared when the IN transaction which has transmitted the short packet is closed, it can be set after data is completely written into the FIFO.

For the FIFO data writing procedure, refer to Section 22.5.9, “FIFO Management.”

Figure 22.5.6.2 shows a data flow in IN transfer. In this example, the FIFO area assigned to this endpoint is assumed to be twice as large as the maximum packet size.

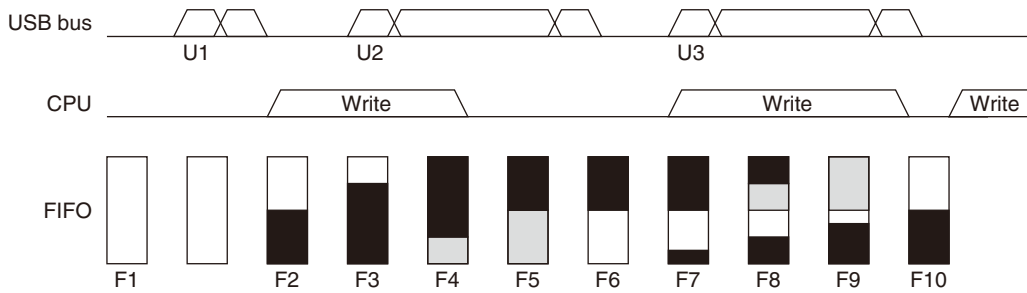


Figure 22.5.6.2 Example of Data Flow in IN Transfer

- (U1) In the first IN transaction, an NAK response is returned since the FIFO has no valid packet size data.
- (U2) Data transfer of the packet size is performed in the second IN transaction.
- (U3) Data transfer of the packet size is performed in the third IN transaction.
- (F1) The FIFO is empty.
- (F2) The CPU starts writing and valid data is written into the FIFO.
- (F3) As the FIFO still has an available space, the CPU continues writing.
- (F4) Since the FIFO contains valid maximum packet size data, the USB controller responds to the IN transaction with data packet transmission. As the transaction is not closed yet, the FIFO area from which data are transmitted is not freed and the FIFO becomes full.
- (F5) Although data packet transmission in the IN transaction has been completed, the FIFO area is not freed since the transaction is not closed and data writing by the CPU remains discontinued.
- (F6) The FIFO area is freed as the transaction is closed upon reception of an ACK handshake packet.
- (F7) As the FIFO now has some available space, the CPU resumes writing data into the FIFO.
- (F8) The USB controller responds to an IN transaction and transmits a data packet. Since the FIFO has some available space, the CPU continues writing data into the FIFO.
- (F9) Although data packet transmission in the IN transaction has been completed, the FIFO area is not freed since the transaction is not closed. Since the FIFO has some available space, the CPU continues writing data into the FIFO.
- (F10) The FIFO area is freed when the transaction is closed upon reception of an ACK handshake packet. The CPU can continue writing data into the FIFO.

22.5.7 Auto-Negotiation Function

The auto-negotiation function automatically performs Suspend detection, Reset detection, and Resume detection, with checking the state of the USB bus for each operation. On the other hand, this function does not perform Attach and Detach processing, therefore, this function should be enabled after Attach has detected and disabled after Detach is detected. Check each interrupt flag (USBSIEINTF.RESETIF bit and USBSIEINTF.SUSPENDIF bit) to confirm what has been actually detected.

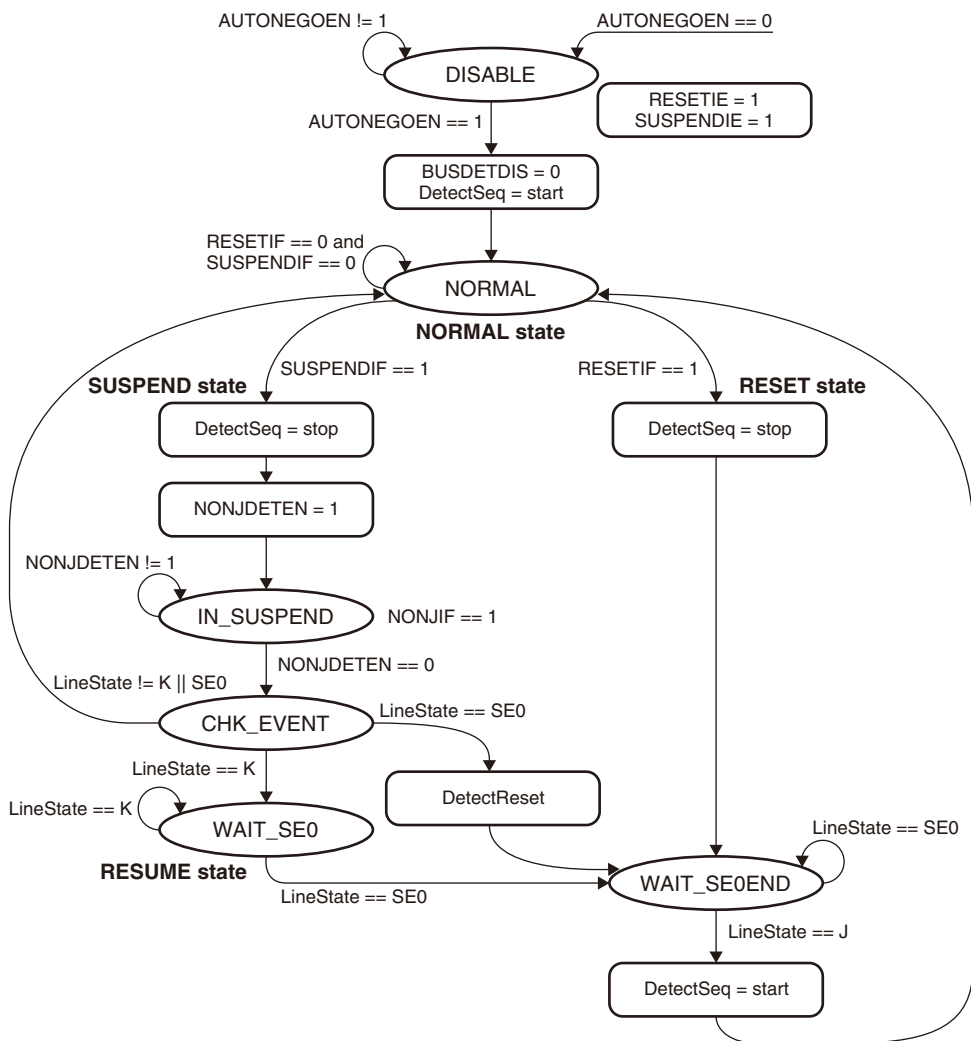


Figure 22.5.7.1 Auto-Negotiator

(1) DISABLE

The USB controller is placed into DISABLE state when the USBCTL.AUTONEGOEN bit = 0. To enable the auto-negotiation function from this state, perform the procedure shown below.

1. Set the USBSIEINTE.RESETEIE bit to 1. (Enable Reset detection interrupt)
2. Set the USBSIEINTE.SUSPENDIE bit to 1. (Enable Suspend detection interrupt)
3. Set the USBMAININTE.SIEIE bit to 1. (Enable SIE interrupt)
4. Set the USBCTL.AUTONEGOEN bit to 1. (Enable auto-negotiation)

When the auto-negotiation function is enabled, the controller hardware automatically clears the USBCTL.BUSDETDIS bit to enable the event detection function. While the auto-negotiation function is enabled, never set the USBCTL.BUSDETDIS bit.

(2) NORMAL

This is a state of waiting for Reset or Suspend detection. The state is determined to be Reset if SE0 of 2.5 μs or more is detected, and it is determined to be Suspend if no activities are detected beyond 3 ms. Concurrently with judgment as described above, the USBSIEINTF.RESETEIF bit or the USBSIEINTF.SUSPENDIF bit is set and a Reset detection or Suspend detection interrupt is generated. If the state is determined to be Suspend, the USB controller enters IN_SUSPEND state.

(3) IN_SUSPEND

When the USB controller enters this state, the USBCTL.NONJDETEN bit is automatically set by the hardware to enable the function for detecting bus state transitions from FS-J (Suspend) to Reset or Resume. If a such bus transition is detected, the USBSIEINTF.NONJIF bit is set to indicate that the host requests to return from Suspend and a NonJ interrupt occurs when the USBSIEINTE.NONJIE and USBMAININTE.SIEIE bits = 1. In this case, the USBCTL.NONJDETEN bit should be cleared. This puts the USB controller into the CHK_EVENT state.

To resume from Suspend with a remote wake-up, set the USBCTL.WAKEUP bit in this state and output the resume signal (FS-K) for 1 to 15 ms.

(4) CHK_EVENT

In the CHK_EVENT state, the USB controller checks the USB signal and determines that the state is Resume if FS-K is detected, and that it is Reset if SE0 is detected. When determined to be Reset, the USBSIEINTF.RESETIF bit is set.

Note that software should terminate this auto-negotiation function in any state as soon as the USB cable is unplugged, as the USB controller does not consider the implication of USB cable disconnection.

22.5.8 Description by Negotiation Function

Detecting Suspend

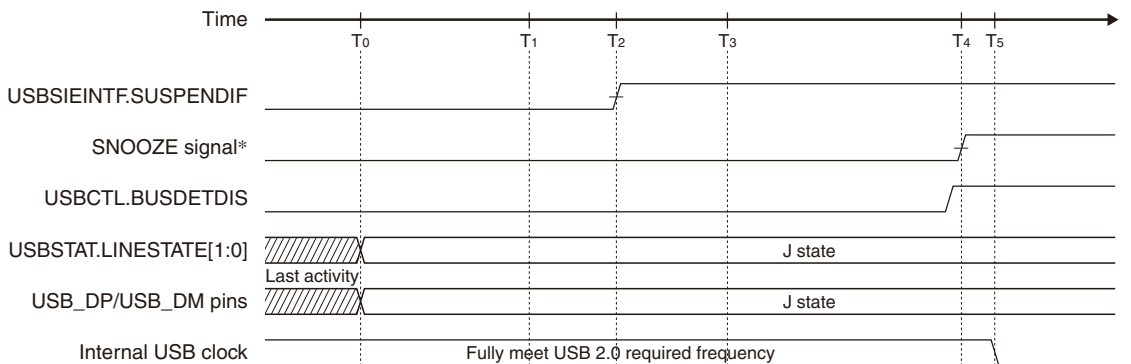
When the USBCTL.BUSDETDIS bit is cleared to 0, the USB controller automatically performs the following Suspend detection sequence.

1. Checks that there is no data transmission/reception (the USBSTAT.LINESTAT[1:0] bits = 0x01 (J) is continuously detected) for 3 ms or longer (T₁) using an internal timer.
2. Sets the USBSIEINTF.SUSPENDIF bit if the USBSTAT.LINESTAT[1:0] bits = 0x01 (J) is detected at T₂.
3. Outputs an interrupt request to the CPU core if the USBSIEINTE.SUSPENDIE and USBMAININTE.SIEIE bits are both set to 1.

When the USBSIEINTF.SUSPENDIF bit has been set (when an interrupt has occurred), perform the processing shown below via software.

1. Set the USBCTL.BUSDETDIS bit to 1. (Disable Reset/Suspend detection)
2. Start a Snooze processing before reaching T₄ (refer to Section 22.5.10, “Snooze”).

Figure 22.5.8.1 shows the operation between Suspend detection and transition to Snooze.



* The SNOOZE signal should be controlled using the USBMISCCTL.USBSNZ bit.

Figure 22.5.8.1 Suspend Timing

Detecting Reset

When the USBCTL.BUSDETDIS bit is set to 0, the USB controller automatically performs the following Reset detection sequence.

1. Checks that the USBSTAT.LINESTAT[1:0] bits = 0x0 (SE0) are continuously detected for 2.5 μs or longer using an internal timer (T₁).
2. Sets the USBSIEINTF.RESETIF bit if the USBSTAT.LINESTAT[1:0] bits = 0x0 (SE0) are detected at T₂.
3. Outputs an interrupt request to the CPU core if the USBSIEINTE.RESETIE and USBMAININTE.SIEIE bits are both set to 1.

This reset detection is effective when the USBCTL.USBEN bit is set to 1. If the USBSIEINTF.RESETIF bit is set to 1 when the auto-negotiation function is disabled, set the USBCTL.BUSDETDIS bit to 1 to disable Reset/Suspend state detection so that the continuous Reset state will not be erroneously detected. The USBCTL.BUSDETDIS bit should be set to 0 to enable Reset/Suspend state detection after the reset processing has completed.

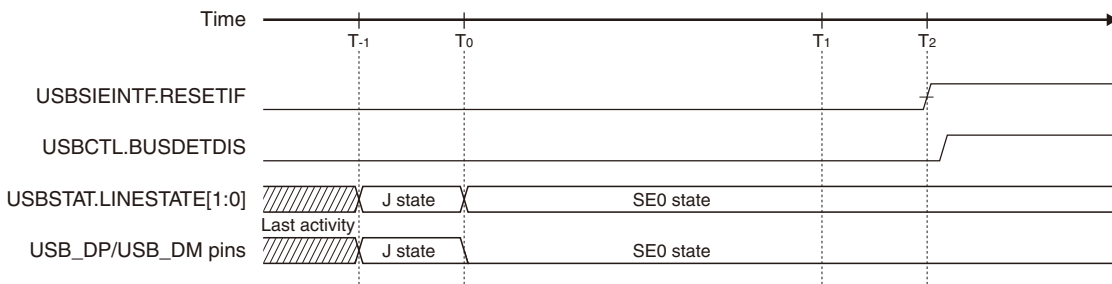


Figure 22.5.8.2 Reset Timing

Issuing Resume

The following describes how to enable automatic resume to be triggered by some cause when remote wakeup is supported and the remote wakeup function is enabled from the host.

Remote wakeup can only be enabled 5 ms after the bus enters the Idle state.

1. Set the USBSIEINTE.NONJIE bit to 0. (Disable NONJ detection interrupt)
2. Set the USBCTL.WAKEUP bit to 1. (Start remote wakeup signal output)

The USB controller sets the USBTRCTL.OPMOD[1:0] bits to 0x02 (Disable Bit Stuffing and NRZI encoding). It also starts data transmission and sends out “FS K” (Resume signal) to an upstream port. The host detects this Resume signal and returns “FS K” (Resume signal) onto the bus.

3. Set the USBCTL.WAKEUP bit to 0. (Stop remote wakeup signal output)
4. Set the USBCTL.NONJDETEN bit to 0. (Disable NONJ state detection)

The host suspends Resume signal send-out.

To detect the end of the Resume signal sent from the host, the following procedure is needed after Step 4 is performed.

5. Set the USBCTL.JDETEN bit to 1. (Enable J state detection)

When the host suspends Resume signal send-out, the USB controller sets the USBSIEINTF.JIF bit and outputs an interrupt request to the CPU core if the USBSIEINTE.JIE and USBMAININTE.SIEIE bits are both set to 1.

Note that the Resume signal from the host has EOP of LS at the end.

6. Set the USBCTL.JDETEN bit to 0. (Disable J state detection)

However, Steps 5 and 6 are not necessary when the auto-negotiation function is used, so wait for another event to be issued.

The description above assumes that the oscillator circuit is operating (the 48-MHz clock is supplied to the USB controller, and the CPU is not in SLEEP mode). If the CPU is in SLEEP mode and the oscillator is deactivated, an oscillation stabilization waiting time is required before resuming.

Detecting Resume

When the USB is suspended, J state is observed on the bus (USBSTAT.LINESTAT[1:0] bits = 0x01 (J)). If K state is observed on the bus, it means the instruction for wakeup (Resume) is received from the host. At this point, the USB controller clears the USBMISCCTL.USBSNZ bit to 0 (Resume). It also sets the USBSIEINTF.NONJIF bit and outputs an interrupt request to the CPU core if the USBSIEINTE.NONJIE and USBMAININTE.SIEIE bits are both set to 1. When this interrupt has occurred, perform the following processing via software.

1. Set the USBCTL.WAKEUP bit to 0. (Stop remote wakeup signal output)
2. Set the USBCTL.NONJDETEN bit to 0. (Disable NONJ state detection)

The host suspends Resume signal (K) send-out.

To detect the end of Resume signal sent from the host, the following procedure is needed after Step 2 is performed.

3. Set the USBCTL.JDETEN bit to 1. (Enable J state detection)

When the host suspends Resume signal (K) send-out, the USB controller sets the USBSIEINTF.JIF bit and outputs an interrupt request to the CPU core if the USBSIEINTE.JIE and USBMAININTE.SIEIE bits are both set to 1.

4. Set the USBCTL.JDETEN bit to 0. (Disable J state detection)

However, Steps 3 and 4 are not necessary when the auto-negotiation function is used, so wait for another event to be issued.

The description above assumes that the oscillator circuit is operating (the 48-MHz clock is supplied to the USB controller, and the CPU is not in SLEEP mode). If the CPU is in SLEEP mode and the oscillator is deactivated, an oscillation stabilization waiting time is required before resuming.

Cable plug-in

For the control procedure when the USB controller is connected to the hub or the host (via cable plug-in), refer to Section 22.5.1, "Initialization." The operation of the USB controller is shown below.

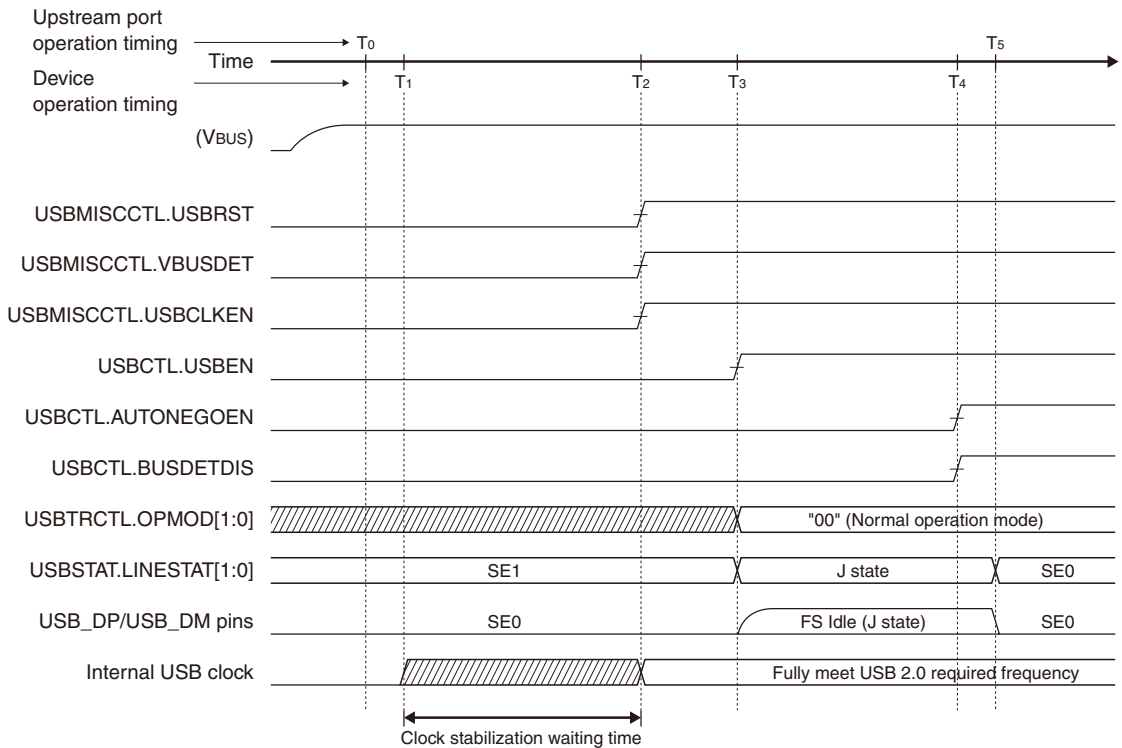


Figure 22.5.8.3 Device Attach Timing

Table 22.5.8.1 Device Attach Timing Values

Timing parameter	Description	Value
T0	V _{bus} is connected and an input interrupt is generated from the VBUS_MON port.	(Reference)
T1	The software turns the USB regulator on. When the PLL is selected as the clock source, the software turns the OSC3 oscillator circuit on (if it is off) and turns the PLL on after waiting for the oscillation to be stabilized. When USBOSC is selected as the clock source, USBOSC starts operating at the same time the USB regulator is activated.	T1
T2	After the USB clock is stabilized, the software sets the USBMISCCTL.USBRST, USBMISCCTL.VBUSDET, and USBMISCCTL.USBCLKEN bits to 1.	T1 + 4 ms < T2
T3	The software sets the USBCTL.USBEN bit to 1 and the USBTRCTL.OPMOD[1:0] bits to 0x0.	T0 + 100 ms {TSIGATT} < T3
T4	The software checks if the USBSTAT.LINESTAT[1:0] bits are set to 0x1 (J = FS idle) and sets the USBCTL.AUTONEGOEN bit to 1. The USB controller sets the USBCTL.BUSDETDIS bit to 1.	
T5	Reset is sent from the host.	T3 + 100 ms {TATTDB} < T5

* Parentheses { } indicate the names defined in the USB2.0 Specification.

22.5.9 FIFO Management

FIFO Memory Map

The figure below shows the memory map for the FIFO.

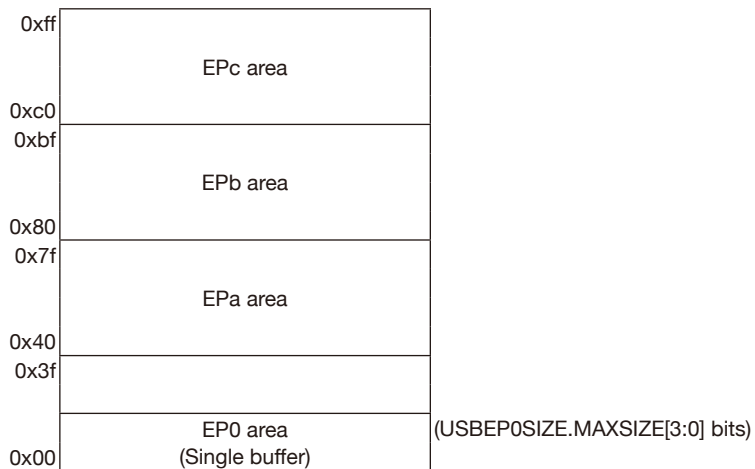


Figure 22.5.9.1 FIFO Memory Map

The FIFO memory is divided into the number of areas for the endpoints (EP0 area + EP_m general-purpose endpoints) supported in this IC.

The EP0 area is used for the endpoint 0 required for USB devices, and can be used for both IN and OUT transactions. This area is located at the beginning of the FIFO and it is used as a single buffer of which the size is determined by the maximum packet size of EP0 that is set up in the USBEP0SIZE.MAXSIZE[3:0] bits.

The EP_m areas are for the general-purpose endpoints of which the endpoint number and IN/OUT direction can be configured.

Set the USBEPCTL.EPNFIFOCLR bit to 1 after an area setting is altered. Once the initial setting for the area is established, the USBEPCTL.EPNFIFOCLR bit is automatically cleared. This bit will never cause the FIFO data to be cleared. Therefore, unless the descriptor area has been changed, there is no need to re-set the information recorded within the area since it will never be cleared otherwise.

Accessing to FIFO by CPU

Follow the procedure shown below to access the FIFO from the CPU.

Reading FIFO data

1. Set the USBFIFORWEN.FIFORDEN bit to 1. (Enable USBRDFIFOSEL register)
2. Set the USBRDFIFOSEL.EP_mRD bit. (Select endpoint to read data)
3. Read the USBREMDATCNT.REMDAT[6:0] bits. (Check number of valid FIFO data)
4. Read FIFO data through the USBFIFODAT.FIFODAT[7:0] bits.

By repeatedly executing Step 4, data in the FIFO of the specified endpoint can be read one byte at a time in the order of reception.

Writing FIFO data

1. Set the USBFIFORWEN.FIFOWREN bit to 1. (Enable USBWRFIFOSEL register)
2. Set the USBWRFIFOSEL.EP_mWR bit. (Select endpoint to write data)
3. Read the USBREMSPCCNT.REMSPC[6:0] bits. (Check available space in FIFO)
4. Write data to the FIFO through the USBFIFODAT.FIFODAT[7:0] bits.

By repeatedly executing Step 4, data can be written to the FIFO of the specified endpoint one byte at a time. The data written to the FIFO will be transmitted in data packets in the order of writing.

FIFO read/write using DMA

Reading FIFO data

By setting the USBMISCRDDMAEN.RDDMAEN_x bit to 1 (DMA transfer request enabled), a DMA transfer request is sent to the DMA controller and FIFO data is transferred from the USBFIFODAT register to the specified memory via DMA Ch._x when a valid data is loaded into the FIFO (USBREMDATCNT.REMDAT[6:0] bits ≠ 0).

This automates the FIFO read procedure from Step 3 to Step 4 described above.

The transfer source/destination and control data must be set for the DMA controller and the relevant DMA channel must be enabled to start a DMA transfer in advance. For more information on DMA, refer to the “DMA Controller” chapter.

Table 22.5.9.1 DMA Data Structure Configuration Example (FIFO Data Read)

	Item	Setting example
End pointer	Transfer source	USBFIFODAT register address
	Transfer destination	Memory address to which the last received data is stored
Control data	dst_inc	0x0 (+1)
	dst_size	0x0 (byte)
	src_inc	0x3 (no increment)
	src_size	0x0 (byte)
	R_power	0x0 (arbitrated for every transfer)
	n_minus_1	Number of transfer data
	cycle_ctrl	0x1 (basic transfer)

Writing FIFO data

By setting the USBMISCWRDMAEN.WRDMAEN_x bit to 1 (DMA transfer request enabled), a DMA transfer request is sent to the DMA controller and FIFO data is transferred from the specified memory to the USBFIFODAT register via DMA Ch._x when an available space is generated in the FIFO (USBREMSPCCNT.REMSPC[6:0] bits ≠ 0).

This automates the FIFO write procedure from Step 3 to Step 4 described above.

The transfer source/destination and control data must be set for the DMA controller and the relevant DMA channel must be enabled to start a DMA transfer in advance. For more information on DMA, refer to the “DMA Controller” chapter.

Table 22.5.9.2 DMA Data Structure Configuration Example (FIFO Data Write)

	Item	Setting example
End pointer	Transfer source	Memory address in which the last write data is stored
	Transfer destination	USBFIFODAT register address
Control data	dst_inc	0x3 (no increment)
	dst_size	0x0 (byte)
	src_inc	0x0 (+1)
	src_size	0x0 (byte)
	R_power	0x0 (arbitrated for every transfer)
	n_minus_1	Number of transfer data
	cycle_ctrl	0x1 (basic transfer)

Limiting Access to FIFO

The FIFO of the USB controller allows concurrent execution of data reception/transmission between the USB controller and the USB host and/or writing/reading to and from the CPU. Because of this, there are two limitations for accessing the FIFO from the CPU:

- From the CPU, no writing is allowed to the same endpoint while the USB host is writing data to the FIFO.
- No reading from the CPU is allowed from the same endpoint while the USB host is reading from the FIFO.

Never execute these operations; they may destroy data continuity.

22.5.10 Snooze

The USB controller has a Snooze function to reduce current consumption when it is not active or in Suspend state. When the SNOOZE signal is asserted by writing 1 to the USBMISCCTL.USBSNZ bit, the following procedure is performed allowing the 48 MHz clock input to be disabled after 5 clock cycles have elapsed.

1. Disables USB differential comparator.
2. Enables asynchronous accesses to the USBSIEINTF.NONJIF bits. (The USB interface input can be monitored.)
3. Masks read/write from/to the USB registers.
4. Masks USB interrupts.

When the SNOOZE signal is negated, the USB controller resumes operating after 5 clocks have elapsed. (The oscillation must be stabilized at this time.)

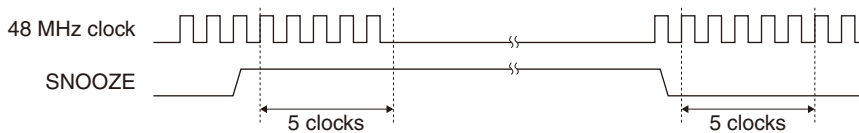


Figure 22.5.10.1 Snooze Sequence

- Notes:**
- Be sure to avoid accessing to the USB controller for five 48-MHz clock cycles from the SNOOZE signal being asserted/negated.
 - Be sure to avoid accessing to the FIFO while the 48 MHz clock is stopped after the SNOOZE signal is asserted.

22.6 Interrupts

The USB controller has a function to generate the interrupts shown in Table 22.6.1.

Table 22.6.1 USB Interrupt Function

Interrupt	Interrupt flag	Set condition	Clear condition
SIE	USBMAININTF. SIEIF *	When an interrupt flag in the USBSIEINTF register for the interrupt that has been enabled is set	Clearing the interrupt flag in the USBSIEINTF register or software reset
General-purpose endpoint	USBMAININTF. GPEPIF *	When an interrupt flag in the USBGPEPINTF register for the interrupt that has been enabled is set	Clearing the interrupt flag in the USBGPEPINTF register or software reset
EP0	USBMAININTF. EPOIF *	When an interrupt flag in the USBEPOINTF register for the interrupt that has been enabled is set	Clearing the interrupt flag in the USBEPOINTF register or software reset
EP0 Setup completion	USBMAININTF. EPOSETIF	When the setup stage in a control transfer is completed	Writing 1 or software reset
NonJ detection	USBSIEINTF. NONJIF	When a state other than J state is detected on the USB bus	Writing 1 or software reset
Reset detection	USBSIEINTF. RESETIF	When Reset state is detected on the USB bus	Writing 1 or software reset
Suspend detection	USBSIEINTF. SUSPENDIF	When Suspend state is detected on the USB bus	Writing 1 or software reset
SOF reception	USBSIEINTF. SOFIF	When an SOF token is received	Writing 1 or software reset
J detection	USBSIEINTF.JIF	When J state is detected on the USB bus	Writing 1 or software reset
Automatic address setting completion	USBSIEINTF. ATADDRIF	When the automatic address setting operation in a control transfer is completed	Writing 1 or software reset
EP m	USBGPEPINTF. EP m IF *	When an interrupt flag in the USBEP m INTF register for the interrupt that has been enabled is set	Clearing the interrupt flag in the USBEP m INTF register or software reset
EP0 ACK reception	USBEPOINTF. INACKIF	When an ACK is received in an EP0 IN transaction	Writing 1 or software reset
EP0 ACK transmission	USBEPOINTF. OUTACKIF	When an ACK is transmitted in an EP0 OUT transaction	Writing 1 or software reset
EP0 NAK reception	USBEPOINTF. INNAKIF	When a NAK is received in an EP0 IN transaction	Writing 1 or software reset
EP0 NAK transmission	USBEPOINTF. OUTNAKIF	When a NAK is transmitted in an EP0 OUT transaction	Writing 1 or software reset
EP0 STALL reception	USBEPOINTF. INERRIF	When a STALL is received in an EP0 IN transaction, a packet error has occurred, or a handshake time out has occurred	Writing 1 or software reset
EP0 STALL transmission	USBEPOINTF. OUTERRIF	When a STALL is transmitted in an EP0 OUT transaction or a packet error has occurred	Writing 1 or software reset
EP m short packet reception	USBEP m INTF. OUTSHACKIF	When a short packet is received and an ACK is transmitted in an EP m OUT transaction	Writing 1 or software reset
EP m ACK reception	USBEP m INTF. INACKIF	When an ACK is received in an EP m IN transaction	Writing 1 or software reset
EP m ACK transmission	USBEP m INTF. OUTACKIF	When an ACK is transmitted in an EP m OUT transaction	Writing 1 or software reset
EP m NAK reception	USBEP m INTF. INNAKIF	When a NAK is received in an EP m IN transaction	Writing 1 or software reset
EP m NAK transmission	USBEP m INTF. OUTNAKIF	When a NAK is transmitted in an EP m OUT transaction	Writing 1 or software reset
EP m STALL reception	USBEP m INTF. INERRIF	When a STALL is received in an EP m IN transaction	Writing 1 or software reset
EP m STALL transmission	USBEP m INTF. OUTERRIF	When a STALL is transmitted in an EP m OUT transaction	Writing 1 or software reset

* These interrupt flags are provided to easily determine the cause of the interrupt generated; they indicate that an interrupt flag in an interrupt group of which interrupt has been enabled is set.

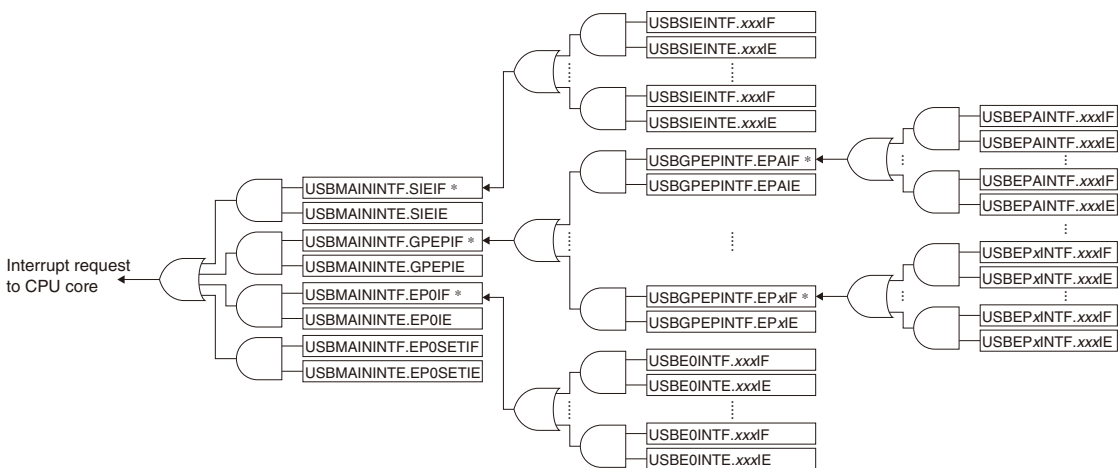


Figure 22.6.1 USB Interrupt System

The USB controller provides interrupt enable bits corresponding to the interrupt flags in the USBMAININTF register. An interrupt request is sent to the CPU core only when the interrupt flag, of which interrupt has been enabled by the interrupt enable bit, is set.

The interrupt flags other than above also have a corresponding interrupt enable bit. These interrupt flags do not cause an interrupt request to be output directly to the CPU core. When an interrupt flag for the interrupt enabled is set, the higher-level interrupt flag, which is marked with *, is set simultaneously.

For more information on interrupt control, refer to the “Interrupt” chapter.

22.7 DMA Transfer Requests

The USB controller has a function to generate DMA transfer requests from the causes shown in Table 22.7.1.

Table 22.7.1 DMA Transfer Request Causes of USB Controller

Cause to request DMA transfer	DMA transfer request flag	DMA transfer request issuing timing
Write endpoint status	USBREMSPPCNT register status flag (internal signal)	When an available space is generated in the FIFO selected by the USBWRFIFOSEL.EPmWR bit
Read endpoint status	USBREMDATCNT register status flag (internal signal)	When valid data is loaded into the FIFO selected by the USBRDFIFOSEL.EPmRD bit.

The USB controller provides DMA transfer request enable bits corresponding to each DMA transfer request flag shown above for the number of DMA channels. A DMA transfer request is sent to the pertinent channel of the DMA controller only when the DMA transfer request flag, of which DMA transfer has been enabled by the DMA transfer request enable bit, is set. For more information on the DMA control, refer to the “DMA Controller” chapter.

22.8 Control Registers

Note: Do not perform 32-bit access to read and write from/to the USB registers as it may cause malfunction.

USB Control Register

Register name	Bit	Bit name	Initial	Reset	R/W	Remarks
USBCTL	7	BUSDETDIS	0	H0/S0	R/W	-
	6	AUTONEGOEN	0	H0/S0	R/W	
	5	NONJDETEN	0	H0/S0	R/W	
	4	JDETEN	0	H0/S0	R/W	
	3	WAKEUP	0	H0/S0	R/W	
	2-1	-	0x0	-	R	
	0	USBEN	0	H0/S0	R/W	

Bit 7 BUSDETDIS

This bit disables the automatic Reset/Suspend state detection.

1 (R/W): Disable automatic Reset/Suspend state detection

0 (R/W): Enable automatic Reset/Suspend state detection

Setting this bit to 1 disables the automatic detection of the USB Reset and Suspend states. When this bit is set to 0, activities on the USB bus is monitored to detect the Reset/Suspend state.

If the bus activities cannot be detected within 3 ms, the USB bus is determined to be Suspend state, or if “SE0” longer than 2.5 μ s is detected, the USB bus is determined to be Reset state, and then the relevant cause of interrupt (USBSIEINTF.SUSPENDIF, USBSIEINTF.RESETIF) is set.

If the USBSIEINTF.RESETIF or USBSIEINTF.SUSPENDIF bit is set to 1, set the USBCTL.BUS-DETDIS bit to 1 to disable detection when the Reset/Suspend state is continued.

When using the auto-negotiation function, do not set this bit to 1.

Bit 6 AUTONEGOEN

This bit enables the auto-negotiation function.

1 (R/W): Enable auto-negotiation function

0 (R/W): Disable auto-negotiation function

For detailed information on the auto-negotiation function, refer to Section 22.5.7, “Auto-Negotiation Function.”

Bit 5 NONJDETEN

This bit enables the NonJ state detection function.

1 (R/W): Enable NonJ state detection

0 (R/W): Disable NonJ state detection

This bit is automatically set to 1 to enable the detection of the NonJ state if Suspend state is detected on the USB bus when the auto-negotiation function is enabled. To return from the Suspend state, set this bit to 0.

The NonJ state can be detected only when this bit is set. For detailed information on the auto-negotiation function, refer to Section 22.5.7, “Auto-Negotiation Function.”

Bit 4 JDETEN

This bit enables the J state detection function.

1 (R/W): Enable J state detection

0 (R/W): Disable J state detection

If a J state is detected after this bit is set to 1, the USBSIEINTF.JIF bit is set (the USBMAININTF.SIEIF bit is also set when USBSIEINTE.JIE bit = 1).

Bit 3 WAKEUP

This bit controls the remote wakeup signal (K) output.

1 (R/W): Start remote wakeup signal output

0 (R/W): Stop remote wakeup signal output

Setting this bit to 1 outputs the remote wakeup signal (K) to the USB port. Within the time between 1 ms and 15 ms after starting to send the remote wakeup signal, set this bit to 0 to stop sending the signal.

Bits 2–1 Reserved**Bit 0 UEBEN**

This bit enables the USB controller operations.

1 (R/W): Enable USB controller operations

0 (R/W): Disable USB controller operations

Since this bit is cleared to 0 after an initial reset, all USB functions are stopped. The operation as a USB device will be enabled by setting this bit to 1 after the configuration of this USB controller has completed.

USB Transceiver Control Register

Register name	Bit	Bit name	Initial	Reset	R/W	Remarks
USBTRCTL	7	DPPUEN	0	H0/S0	R/W	-
	6-2	-	0x00	-	R	
	1-0	OPMOD[1:0]	0x1	H0/S0	R/W	

Bit 7 DPPUEN

This bit enables the USB_DP pin (D+ line) pull-up resistor (FS termination).

1 (R/W): Enable pull-up

0 (R/W): Disable pull-up

Note: Always enable this pull-up while the USB controller is enabled, as this IC supports FS mode only.

Bits 6-2 Reserved

Bits 1-0 OPMOD[1:0]

These bits set the operation mode of the USB transceiver unit.

It is not necessary to set up this bit normally, excluding when the USB cable is pulled out (*) and during test mode.

Table 22.8.1 USB Transceiver Operation Mode

USBTRCTL.OPMOD[1:0] bits	Operation mode
0x3	Reserved
0x2	Disable Bit Stuffing and NRZI Encoding
0x1	Non-Driving
0x0	Normal Operation

* When the USB cable is pulled out, it is recommended to set these bits to 0x1. (This IC does not need the operation above, as it assumes that power is turned off when the cable is disconnected.)

USB Status Register

Register name	Bit	Bit name	Initial	Reset	R/W	Remarks
USBSTAT	7	VBUSSTAT	X	-	R	-
	6	FSMOD	X	-	R	
	5-2	-	X	-	R	
	1-0	LINESTAT[1:0]	X	-	R	

This register is effective during Snooze as well.

Bit 7 VBUSSTAT

This bit indicates the V_{BUS} pin status.

1 (R): V_{BUS} = High

0 (R): V_{BUS} = Low

Bit 6 FSMOD

This bit indicates the currently set transfer mode, FS (Full-Speed) mode or LS (Low-Speed) mode.

1 (R): FS mode

0 (R): LS mode

Note: This bit is fixed at 1, as this IC supports FS mode only.

Bits 5-2 Reserved

Bits 1-0 LINESTAT[1:0]

These bits indicate the USB bus status (signal status at the USB_DP and USB_DM pins).

Table 22.8.2 USB Bus Status

USBSTAT.LINESTAT[1:0] bits	USB bus status
0x3	SE1
0x2	K
0x1	J
0x0	SE0

USB Endpoint Control Register

Register name	Bit	Bit name	Initial	Reset	R/W	Remarks
USBEPCTL	7	EPNFNACKSET	0	H0/S0	R/W	-
	6	EPMFSTALLSET	0	H0/S0	R/W	
	5	EPNFIFOCLR	0	H0/S0	R/W	
	4-1	-	0x0	-	R	
	0	EP0FIFOCLR	0	H0/S0	R/W	

Bit 7 EPNFNACKSET

This bit sets the FNAK bit of all endpoints to 1.

1 (R/W): Set FNAK bits

0 (R/W): Ineffective

Writing 1 to this bit sets all the USBEP0ICTL.FNAK, USBEP0OCTL.FNAK, and USBEP m CTL.FNAK bits to 1. After that, this bit automatically reverts to 0.

Bit 6 EPMFSTALLSET

This bit sets the FSTALL bit of all the general-purpose endpoints to 1.

1 (R/W): Set FSTALL bits

0 (R/W): Ineffective

Writing 1 to this bit sets all the USBEP m CTL.FSTALL bits to 1. After that, this bit automatically reverts to 0.

Bit 5 EPNFIFOCLR

This bit clears the FIFOs of all endpoints.

1 (R/W): Clear FIFOs

0 (R/W): Ineffective

Writing 1 to this bit clears all the FIFOs. After that, this bit automatically reverts to 0.

Bits 4-1 Reserved

Bit 0 EP0FIFOCLR

This bit clears the EP0 FIFO.

1 (R/W): Clear EP0 FIFO

0 (R/W): Ineffective

Writing 1 to this bit clears the EP0 FIFO only. After that, this bit automatically reverts to 0.

USB General-Purpose Endpoint FIFO Clear Register

Register name	Bit	Bit name	Initial	Reset	R/W	Remarks
USBGPEPFIFOCLR	7-3	-	0x00	-	R	-
	2	EPCFIFOCLR	0	H0/S0	R/W	
	1	EPBFIFOCLR	0	H0/S0	R/W	
	0	EPAFIFOCLR	0	H0/S0	R/W	

Bits 7-3 Reserved

Bit 2 EPCFIFOCLR

This bit clears the EPc FIFO.

1 (R/W): Clear EPc FIFO

0 (R/W): Ineffective

22 USB 2.0 FS DEVICE CONTROLLER (USB, USBMISC)

Writing 1 to this bit clears the EPc FIFO only. After that, this bit automatically reverts to 0.

Bit 1 EPBFIFOCLR

This bit clears the EPb FIFO.

1 (R/W): Clear EPb FIFO

0 (R/W): Ineffective

Writing 1 to this bit clears the EPb FIFO only. After that, this bit automatically reverts to 0.

Bit 0 EPAFIFOCLR

This bit clears the EPa FIFO.

1 (R/W): Clear EPa FIFO

0 (R/W): Ineffective

Writing 1 to this bit clears the EPa FIFO only. After that, this bit automatically reverts to 0.

USB FIFO Read Cycle Setup Register

Register name	Bit	Bit name	Initial	Reset	R/W	Remarks
USBFIFORDCYC	7-2	–	0x00	–	R	–
	1-0	RDCYC[1:0]	0x3	H0/S0	R/W	–

Bits 7-2 Reserved

Bits 1-0 RDCYC[1:0]

These bits set the number of FIFO read access cycles.

Table 22.8.3 FIFO Read Access Cycle Setting

USBFIFORDCYC.RDCYC[1:0] bits	Number of read access cycles	SYSLCK frequency
0x3	4 cycles	21.7 MHz or lower
0x2	3 cycles	
0x1	2 cycles	
0x0	1 cycle	8 MHz or lower

USB Revision Number Register

Register name	Bit	Bit name	Initial	Reset	R/W	Remarks
USBREV	7-0	REVNUM[7:0]	0x12	H0/S0	R	–

This register is effective during Snooze as well.

Bits 7-0 REVNUM[7:0]

These bits show the revision number of the USB controller.

USB EP0 Setup Data Registers 0-7

Register name	Bit	Bit name	Initial	Reset	R/W	Remarks
USBEP0SETUP0	7-0	BMREQTYP[7:0]	0x00	–	R	–
USBEP0SETUP1	7-0	BREQ[7:0]	0x00	–	R	–
USBEP0SETUP2	7-0	WVAL[7:0]	0x00	–	R	–
USBEP0SETUP3	7-0	WVAL[15:8]	0x00	–	R	–
USBEP0SETUP4	7-0	WINDX[7:0]	0x00	–	R	–
USBEP0SETUP5	7-0	WINDX[15:8]	0x00	–	R	–
USBEP0SETUP6	7-0	WLEN[7:0]	0x00	–	R	–
USBEP0SETUP7	7-0	WLEN[15:8]	0x00	–	R	–

Eight-byte data received at EP0 SETUP stage are stored from the USBEP0SETUP0 register sequentially. The contents stored in each register are listed below.

USBEP0SETUP0.BMREQTYP[7:0] bits: BmRequestType
 USBEP0SETUP1.BREQ[7:0] bits: BRequest
 USBEP0SETUP2.WVAL[7:0] bits: Low-order 8 bits of Wvalue
 USBEP0SETUP3.WVAL[15:8] bits: High-order 8 bits of Wvalue
 USBEP0SETUP4.WINDX[7:0] bits: Low-order 8 bits of WIndex
 USBEP0SETUP5.WINDX[15:8] bits: High-order 8 bits of WIndex
 USBEP0SETUP6.WLEN[7:0] bits: Low-order 8 bits of WLength
 USBEP0SETUP7.WLEN[15:8] bits: High-order 8 bits of WLength

USB Address Register

Register name	Bit	Bit name	Initial	Reset	R/W	Remarks
USBADDR	7	ATADDR	0	–	R/W	–
	6–0	USBADDR[6:0]	0x00	H0/S0	R/W	

Bit 7 ATADDR

This bit enables the automatic address setting function.

1 (R/W): Enable automatic address setting function

0 (R/W): Disable automatic address setting function

When this bit is set to 1 after receiving the SetAddress() request in the setup stage of a control transfer and before starting the status stage, the address sent from the host will be written into the USBADDR.USBADDR[6:0] bits. For details of the control procedure, refer to “Automatic address setting function” in Section 22.5.4, “Control Transfer.”

The USBADDR.USBADDR[6:0] bits are writable, therefore, use a read-modify-write instruction to set the USBADDR.ATADDR bit so that the USBADDR.USBADDR[6:0] bits will not be altered.

Bits 6–0 USBADDR[6:0]

These bits set the USB address.

The USB address is written automatically by the automatic address setting function. Or it can be written via software.

USB EP0 Configuration Register

Register name	Bit	Bit name	Initial	Reset	R/W	Remarks
USBEP0CFG	7	DIR	0	H0/S0	R/W	–
	6–0	–	0x00	–	R	

Bit 7 DIR

This bit sets the EP0 transfer direction.

1 (R/W): IN

0 (R/W): OUT

Determine the transfer direction from the request received at the setup stage and set it with this bit.

Bits 6–0 Reserved

USB EP0 Maximum Packet Size Register

Register name	Bit	Bit name	Initial	Reset	R/W	Remarks
USBEP0SIZE	7	–	0	–	R	–
	6–3	MAXSIZE[3:0]	0x1	H0/S0	R/W	
	2–0	–	0x0	–	R	

Bit 7 Reserved

Bits 6–3 MAXSIZE[3:0]

These bits set the EP0 maximum packet size.

Table 22.8.4 EP0 Maximum Packet Size

USBEP0SIZE.MAXSIZE[3:0] bits	EP0 maximum packet size
0x8	64 bytes
0x4	32 bytes
0x2	16 bytes
0x1	8 bytes
Other	Setting prohibited

It should be set to the same size as the bMaxPacketSize0 in the Device Descriptor.

Bits 2–0 Reserved

USB EP0 IN Transaction Control Register

Register name	Bit	Bit name	Initial	Reset	R/W	Remarks
USBEP0ICTL	7	–	0	–	R	–
	6	SPKTEN	0	H0/S0	R/W	
	5	–	0	–	R	
	4	TGLSTAT	0	H0/S0	R	
	3	TGLSET	0	H0/S0	W	Read as 0.
	2	TGLCLR	0	H0/S0	W	
	1	FNAK	0	H0/S0	R/W	–
	0	FSTALL	0	H0/S0	R/W	

Bit 7 Reserved

Bit 6 SPKTEN

This bit enables short packet transmissions.

1 (R/W): Enable short packet transmission

0 (R/W): Disable short packet transmission

Setting this bit to 1 enables data transmission within the FIFO that is less than the quantity specified for the maximum packet size, as a short packet for the IN transaction of EP0. When the IN transaction that transmitted short packets completes, this bit is automatically cleared to 0. When a packet of the maximum packet size is transmitted, this bit is not cleared.

If this bit is set to 1 when the FIFO has no data, a zero-length packet can be transmitted for the IN token from the host.

Note: If data is written into the EP0 FIFO that is in a transmission process with a packet to which the USBEP0ICTL.SPKTEN bit is set to 1, that data may be included in transmission. Therefore, do not write data into the FIFO until the packet transmission completes and this bit is cleared.

Bit 5 Reserved

Bit 4 TGLSTAT

This bit indicates the status of the toggle sequence bit in the IN transaction of EP0.

1 (R): Toggle sequence bit = 1 (DATA1)

0 (R): Toggle sequence bit = 0 (DATA0)

Bit 3 TGLSET

This bit sets the toggle sequence bit in the IN transaction of EP0, to 1.

1 (W): Set toggle sequence bit

0 (W): Ineffective

0 (R): Always 0 when being read

Bit 2 TGLCLR

This bit clears the toggle sequence bit in the IN transaction of EP0, to 0.

1 (W): Clear toggle sequence bit

0 (W): Ineffective

0 (R): Always 0 when being read

Bit 1 FNAK

This bit configures EP0 to return a NAK response for IN transactions.

1 (R/W): Enable NAK response

0 (R/W): Disable NAK response

When this bit is set to 1, a NAK response is returned for the IN transaction of EP0, regardless of the FIFO data quantity.

When the USBMAININTF.EP0SETIF bit is set to 1 upon completion of the setup stage, this bit is set to 1, and cannot be cleared to 0 as long as the USBMAININTF.EP0SETIF bit is 1. When an IN transaction that transmitted short packets completes, this bit is set to 1.

Bit 0 FSTALL

This bit configures EP0 to return a STALL response for IN transactions.

1 (R/W): Enable STALL response

0 (R/W): Disable STALL response

When this bit is set to 1, a STALL response is returned for the IN transaction of EP0.

This bit has a priority over the setting of the USBEP0CTL.FNAK bit.

When the USBMAININTF.EP0SETIF bit is set to 1 upon completion of the setup stage, this bit is cleared to 0, and cannot be set to 1 as long as the USBMAININTF.EP0SETIF bit is 1.

USB EP0 OUT Transaction Control Register

Register name	Bit	Bit name	Initial	Reset	R/W	Remarks
USBEP0CTL	7	AUTOFNAK	0	H0/S0	R/W	-
	6-5	-	0x0	H0/S0	R/W	
	4	TGLSTAT	0	H0/S0	R	
	3	TGLSET	0	H0/S0	W	Read as 0.
	2	TGLCLR	0	H0/S0	W	
	1	FNAK	0	H0/S0	R/W	-
	0	FSTALL	0	H0/S0	R/W	

Bit 7 AUTOFNAK

This bit enables the automatic USBEP0CTL.FNAK bit setting function.

1 (R/W): Enable automatic FNAK setting

0 (R/W): Disable automatic FNAK setting

When this bit is set to 1, the USBEP0CTL.FNAK bit is set to 1 when the OUT transaction of EP0 completes normally.

Bits 6-5 Reserved**Bit 4 TGLSTAT**

This bit indicates the status of the toggle sequence bit in the OUT transaction of EP0.

1 (R): Toggle sequence bit = 1 (DATA1)

0 (R): Toggle sequence bit = 0 (DATA0)

Bit 3 TGLSET

This bit sets the toggle sequence bit in the OUT transaction of EP0, to 1.

1 (W): Set toggle sequence bit

0 (W): Ineffective

0 (R): Always 0 when being read

Bit 2 TGLCLR

This bit clears the toggle sequence bit in the OUT transaction of EP0, to 0.

1 (W): Clear toggle sequence bit

0 (W): Ineffective

0 (R): Always 0 when being read

Bit 1 FNAK

This bit configures EP0 to return a NAK response for OUT transactions.

1 (R/W): Enable NAK response

0 (R/W): Disable NAK response

When this bit is set to 1, a NAK response is returned for the OUT transaction of EP0, regardless of the FIFO space capacity.

When the USBMAININTF.EP0SETIF bit is set to 1 upon completion of the setup stage, this bit is set to 1, and cannot be cleared to 0 as long as the USBMAININTF.EP0SETIF bit is 1.

Bit 0 FSTALL

This bit configures EP0 to return a STALL response for OUT transactions.

1 (R/W): Enable STALL response

0 (R/W): Disable STALL response

If this bit is set to 1, a STALL response is returned for the OUT transaction of EP0.

This bit has a priority over the setting of the USBEP0CTL.FNAK bit.

When the USBMAININTF.EP0SETIF bit is set to 1 upon completion of the setup stage, this bit is cleared to 0, and cannot be set to 1 as long as the USBMAININTF.EP0SETIF bit is 1.

USB EP_m Control Registers

Register name	Bit	Bit name	Initial	Reset	R/W	Remarks
USBEP _m CTL	7	AUTOFNAK	0	H0/S0	R/W	–
	6	SPKTEN	0	H0/S0	R/W	
	5	AUTOFNAKDIS	0	H0/S0	R/W	
	4	TGLSTAT	0	H0/S0	R	
	3	TGLSET	0	H0/S0	W	Read as 0.
	2	TGLCLR	0	H0/S0	W	
	1	FNAK	0	H0/S0	R/W	–
	0	FSTALL	0	H0/S0	R/W	

Bit 7 AUTOFNAK

This bit enables the automatic USBEP_mCTL.FNAK bit setting function.

1 (R/W): Enable automatic FNAK setting

0 (R/W): Disable automatic FNAK setting

If this bit is set to 1, the USBEP_mCTL.FNAK bit is set to 1 when the transaction of EP_m completes normally.

Bit 6 SPKTEN

This bit enables short packet transmissions.

1 (R/W): Enable short packet transmission

0 (R/W): Disable short packet transmission

Setting this bit to 1 enables data transmission within the FIFO that is less than the quantity specified for the maximum packet size, as a short packet for the IN transaction of EP_m. When the IN transaction that transmitted short packets completes, this bit is automatically cleared to 0. When a packet of the maximum packet size is transmitted, this bit is not cleared.

If this bit is set to 1 when the FIFO has no data, a zero-length packet can be transmitted for the IN token from the host.

Note: If data is written into the EP_m FIFO that is in a transmission process with a packet to which the USBEP_mCTL.SPKTEN bit is set to 1, that data may be included in transmission. Therefore, do not write data into the FIFO until the packet transmission completes and this bit is cleared.

Bit 5 AUTOFNAKDIS

This bit disables the automatic USBEP_mCTL.FNAK bit setting function when a short packet is received.

1 (R/W): Disable automatic FNAK setting (when a short packet is received)

0 (R/W): Enable automatic FNAK setting (when a short packet is received)

If this bit is set to 0 and if a short packet is received when an OUT transaction has completed normally, the USBEP_mCTL.FNAK bit is automatically set to 1. When the USBEP_mCTL.AUTOFNAKDIS bit is set to 1, this function is disabled.

When the USBEP_mCTL.AUTOFNAK bit is set to 1, it has a priority over the setting of this bit.

Bit 4 TGLSTAT

This bit indicates the status of the toggle sequence bit of EP_m.

1 (R): Toggle sequence bit = 1 (DATA1)

0 (R): Toggle sequence bit = 0 (DATA0)

Bit 3 TGLSET

This bit sets the toggle sequence bit of EP_m to 1.

1 (W): Set toggle sequence bit

0 (W): Ineffective

0 (R): Always 0 when being read

Bit 2 TGLCLR

This bit clears the toggle sequence bit of EP_m to 0.

1 (W): Clear toggle sequence bit

0 (W): Ineffective

0 (R): Always 0 when being read

Bit 1 FNAK

This bit configures EP_m to return a NAK response for transactions.

1 (R/W): Enable NAK response

0 (R/W): Disable NAK response

When this bit is set to 1, a NAK response is returned for the transaction of EP_m, regardless of the FIFO data quantity or space capacity.

Bit 0 FSTALL

This bit configures EP_m to return a STALL response for transactions.

1 (R/W): Enable STALL response

0 (R/W): Disable STALL response

When this bit is set to 1, a STALL response is returned for the transaction of EP_m.

This bit has a priority over the setting of the USBEP_mCTL.FNAK bit.

USB EP_m Configuration Registers

Register name	Bit	Bit name	Initial	Reset	R/W	Remarks
USBEP _m CFG	7	DIR	0	H0/S0	R/W	-
	6	TGLMOD	0	H0/S0	R/W	
	5	EPEN	0	H0/S0	R/W	
	4	-	0	-	R	
	3-0	EPNUM[3:0]	0x0	H0/S0	R/W	

Bit 7 DIR

This bit sets the transfer direction of EP_m.

1 (R/W): IN

0 (R/W): OUT

Bit 6 TGLMOD

This bit sets the operation mode of the toggle sequence bit. (Effective only for the IN transaction)

1 (R/W): Always toggle mode (Always performs the toggle for every transaction.)

0 (R/W): Normal toggle mode (Performs the toggle only when the transaction ends normally.)

Bit 5 EPEN

This bit enables EP_m.

1 (R/W): Enable EP_m

0 (R/W): Disable EP_m

Setting this bit to 1 configures EP_m to get ready to operate.

When this bit is 0, access to EP_m is neglected.

Perform the setup according to the SetConfiguration() request from the host.

Bit 4 Reserved

Bits 3–0 EPNUM[3:0]

These bits set the EP_m endpoint number (0x1–0xf).

Note: Perform the configuration so that combination of the USBEP_mCFG.EPNUM[3:0] and USBEP_m-CFG.DIR bit settings do not overlap with those of other endpoints.

USB EP_m Maximum Packet Size Registers

Register name	Bit	Bit name	Initial	Reset	R/W	Remarks
USBEP _m MAXSZ	7	–	0	–	R	–
	6–0	MAXSIZE[6:0]	0x00	H0/S0	R/W	

Bit 7 Reserved

Bits 6–0 MAXSIZE[6:0]

These bits set the maximum packet size of EP_m.

When using EP_m for bulk transfer, 8, 16, 32, or 64 bytes (0x08, 0x10, 0x20, or 0x40) should be set.

When using EP_m for interrupt transfer, any size up to 64 bytes (0x01–0x40) can be set.

If the EP_m area is smaller than specified here, the USB controller does not operate normally. It should be set to the same size as the wMaxPacketSize in the Endpoint Descriptor.

USB Read FIFO Select Register

Register name	Bit	Bit name	Initial	Reset	R/W	Remarks
USBRDFIFOSEL	7–3	–	0x00	–	R	–
	2	EPCRD	0	H0/S0	R/W	
	1	EPBRD	0	H0/S0	R/W	
	0	EPARD	0	H0/S0	R/W	

This register is used to select the FIFO of an endpoint from which data is read from the CPU. This register is effective when the USBFIFORWEN.FIFORDEN bit = 1.

For more information on the FIFO data reading procedure, refer to “Accessing to FIFO by CPU” in Section 22.5.9, “FIFO Management.”

Bits 7–3 Reserved

Bit 2 EPCRD

Bit 1 EPBRD

Bit 0 EPARD

These bits specify the endpoint from which FIFO data is read.

1 (R/W): Enable reading data from EP_m FIFO

0 (R/W): Disable reading data from EP_m FIFO

- Notes:**
- This register contains the EP m RD bits of the number of general-purpose endpoints. However, this register allows only one bit to be set to 1 at a time. When 1 is written to multiple bits at the same time, writing in the higher order bit is regarded as valid. When all bits are set to 0, the EP0 FIFO is selected.
 - The USB controller allows software to specify an IN direction endpoint using the USBRDFIFOSEL.EP m RD bit to read transmit data from the FIFO. However, before reading data, set the USBEP0CTL.FNAK or USBEP m CTL.FNAK bit so that the USB controller will not respond to an IN transaction and transmit data.

USB Write FIFO Select Register

Register name	Bit	Bit name	Initial	Reset	R/W	Remarks
USBWRFIFOSEL	7-3	–	0x00	–	R	–
	2	EPCWR	0	H0/S0	R/W	
	1	EPBWR	0	H0/S0	R/W	
	0	EPAWR	0	H0/S0	R/W	

This register is used to select the FIFO of an endpoint to which data is written from the CPU. This register is effective when the USBFIFORWEN.FIFOWREN bit = 1.

For more information on the FIFO data writing procedure, refer to “Accessing to FIFO by CPU” in Section 22.5.9, “FIFO Management.”

Bits 7-3 Reserved

Bit 2 EPCWR

Bit 1 EPBWR

Bit 0 EPAWR

These bits specify the endpoint to which FIFO data is written.

1 (R/W): Enable writing data to EP m FIFO

0 (R/W): Disable writing data to EP m FIFO

- Notes:**
- This register contains the EP m WR bits of the number of general-purpose endpoints. However, this register allows only one bit to be set to 1 at a time. When 1 is written to multiple bits at the same time, writing in the higher order bit is regarded as valid. When all bits are set to 0, the EP0 FIFO is selected.
 - The USB controller allows software to specify an OUT direction endpoint using the USBWRFIFOSEL.EP m WR bit to write data to the FIFO. However, before writing data, set the USBEP0CTL.FNAK or USBEP m CTL.FNAK bit so that the USB controller will not receive data in an OUT transaction.

USB FIFO Read/Write Enable Register

Register name	Bit	Bit name	Initial	Reset	R/W	Remarks
USBFIFORWEN	7-2	–	0x00	–	R	–
	1	FIFOWREN	0	H0/S0	R/W	
	0	FIFORDEN	0	H0/S0	R/W	

Bits 7-2 Reserved

Bit 1 FIFOWREN

This bit enables the USBWRFIFOSEL register.

1 (R/W): Enable USBWRFIFOSEL register

0 (R/W): Disable USBWRFIFOSEL register

When this bit is set to 1, the CPU can write data to the FIFO of the endpoint selected by the USBWRFIFOSEL register.

Bit 0 FIFORDEN

This bit enables the USBRDFIFOSEL register.

1 (R/W): Enable USBRDFIFOSEL register

0 (R/W): Disable USBRDFIFOSEL register

When this bit is set to 1, the CPU can read data from the FIFO of the endpoint selected by the USBRDFIFOSEL register.

USB Remaining FIFO Data Count Register

Register name	Bit	Bit name	Initial	Reset	R/W	Remarks
USBREMDATCNT	7	–	0	–	R	–
	6–0	REMDAT[6:0]	0x00	H0/S0	R	

Bit 7 Reserved

Bits 6–0 REMDAT[6:0]

These bits show the remaining data quantity in the FIFO of the endpoint selected by the USBRDFIFOSEL register.

USB Remaining FIFO Space Count Register

Register name	Bit	Bit name	Initial	Reset	R/W	Remarks
USBREMSPCCNT	7	–	0	–	R	–
	6–0	REMSPC[6:0]	0x08	H0/S0	R	

Bit7 Reserved

Bit6-0 REMSPC[6:0]

These bits show the available space capacity in the FIFO of the endpoint selected by the USBWRFIFOSEL register.

USB Debug RAM Address Register

Register name	Bit	Bit name	Initial	Reset	R/W	Remarks
USBDBGRAMADDR	7–0	DRAMADDR[7:0]	0x00	H0/S0	R/W	–

Bits 7–0 DRAMADDR[7:0]

These bits specify the read/write start address of the FIFO for debugging without an FIFO area allocation. Any address within the entire FIFO area from address 0x00 to address 0xff (256 bytes) can be specified.

The address set in the USBDBGRAMADDR.DRAMADDR[7:0] bits is incremented by 1 every time data is read/written from/to the FIFO during debugging. Refer to the description of the USBDBGRAMDAT register for how to read/write data from/to the FIFO.

USB Main Interrupt Flag Register

Register name	Bit	Bit name	Initial	Reset	R/W	Remarks
USBMAININTF	7	SIEIF	0	H0/S0	R	Cleared by writing 1 to the interrupt flag in the USBSIEINTF register.
	6	GPEPIF	0	H0/S0	R	Cleared by writing 1 to the interrupt flag in the USBEPmINTF register.
	5–2	–	0x0	–	R	–
	1	EPOIF	0	H0/S0	R	Cleared by writing 1 to the interrupt flag in the USBEPOINTF register.
	0	EPOSETIF	0	H0/S0	R/W	Cleared by writing 1.

Bits 5–2 Reserved

Bit 7 **SIEIF**
Bit 6 **GPEPIF**
Bit 1 **EPOIF**

These bits indicate the interrupt cause occurrence status in each USB interrupt group.

1 (R): Cause of interrupt occurred
0 (R): No cause of interrupt occurred

These bits are set if a cause of interrupt, which is assigned to the registers shown below, occurs when the interrupt enable bit corresponding to the cause of interrupt is set to 1. These bits are cleared at the same time the interrupt flag in the following register is cleared by writing 1.

USBMAININTF.SIEIF bit: USBSIEINTF register
USBMAININTF.GPEPIF bit: USBGPEPINTF register
USBMAININTF.EPOIF bit: USBEPOINTF register

The USBMAININTF.SIEIF bit can be read during Snooze as well.

Bit 0 **EPOSETIF**

This bit indicates the EP0 setup completion interrupt cause occurrence status.

1 (R): Cause of interrupt occurred
0 (R): No cause of interrupt occurred
1 (W): Clear flag
0 (W): Ineffective

When the interrupt is enabled using the corresponding interrupt enable bit (USBMAININTE register), setting the interrupt flag in this register outputs an interrupt request to the CPU core.

USB SIE Interrupt Flag Register

Register name	Bit	Bit name	Initial	Reset	R/W	Remarks
USBSIEINTF	7	–	0	–	R	–
	6	NONJIF	0	H0/S0	R/W	Cleared by writing 1.
	5	RESETIF	0	H0/S0	R/W	
	4	SUSPENDIF	0	H0/S0	R/W	
	3	SOFIF	0	H0/S0	R/W	
	2	JIF	0	H0/S0	R/W	
	1	–	0	–	R	–
	0	ATADDRIF	0	H0/S0	R/W	Cleared by writing 1.

Bit 7 **Reserved**

Bit 1 **Reserved**

Bit 6 **NONJIF**

Bit 5 **RESETIF**

Bit 4 **SUSPENDIF**

Bit 3 **SOFIF**

Bit 2 **JIF**

Bit 0 **ATADDRIF**

These bits indicate the SIE interrupt cause occurrence status.

1 (R): Cause of interrupt occurred
0 (R): No cause of interrupt occurred
1 (W): Clear flag
0 (W): Ineffective

The following shows the correspondence between the bit and interrupt:

- USBSIEINTF.NONJIF bit: NonJ detection interrupt
- USBSIEINTF.RESETIF bit: Reset detection interrupt
- USBSIEINTF.SUSPENDIF bit: Suspend detection interrupt
- USBSIEINTF.SOFIF bit: SOF reception interrupt
- USBSIEINTF.JIF bit: J detection interrupt
- USBSIEINTF.ATADDRIF bit: Automatic address setting completion interrupt

When the interrupt is enabled using the corresponding interrupt enable bit (USBSIEINTE register), setting the interrupt flag in this register sets the USBMAININTF.SIEIF bit. An SIE interrupt occurs if the USBMAININTE.SIEIE bit = 1 at this time. The interrupt flags in this register do not output an interrupt request directly to the CPU core.

The USBSIEINTF.NONJIF bit is effective during Snooze as well.

USB General-Purpose Endpoint Interrupt Flag Register

Register name	Bit	Bit name	Initial	Reset	R/W	Remarks
USBGPEPINTF	7-3	-	0x00	-	R	-
	2	EPCIF	0	H0/S0	R	Cleared by writing 1 to the interrupt flag in the USBEPmINTF register.
	1	EPBIF	0	H0/S0	R	
	0	EPAIF	0	H0/S0	R	

Bits 7-3 Reserved

Bit 2 EPCIF

Bit 1 EPBIF

Bit 0 EPAIF

These bits indicate the interrupt cause occurrence status in each EP_m interrupt group.

1 (R): Cause of interrupt occurred

0 (R): No cause of interrupt occurred

These bits are set if a cause of interrupt, which is assigned to the registers shown below, occurs when the interrupt enable bit corresponding to the cause of interrupt is set to 1. These bits are cleared at the same time the interrupt flag in the following register is cleared by writing 1.

USBGPEPINTF.EPCIF bit: USBEPCINTF register

USBGPEPINTF.EPBIF bit: USBEPBINTF register

USBGPEPINTF.EPAIF bit: USBEPAINTF register

When the interrupt is enabled using the corresponding interrupt enable bit (USBGPEPINTE register), setting the interrupt flag in this register sets the USBMAININTF.GPEPIF bit. An EP_m interrupt occurs if the USBMAININTE.GPEPIE bit = 1 at this time. The interrupt flags in this register do not output an interrupt request directly to the CPU core.

USB EP0 Interrupt Flag Register

Register name	Bit	Bit name	Initial	Reset	R/W	Remarks
USBEP0INTF	7-6	-	0x0	-	R	-
	5	INACKIF	0	H0/S0	R/W	Cleared by writing 1.
	4	OUTACKIF	0	H0/S0	R/W	
	3	INNAKIF	0	H0/S0	R/W	
	2	OUTNAKIF	0	H0/S0	R/W	
	1	INERRIF	0	H0/S0	R/W	
	0	OUTERRIF	0	H0/S0	R/W	

Bits 7-6 Reserved

Bit 5 **INACKIF**
Bit 4 **OUTACKIF**
Bit 3 **INNAKIF**
Bit 2 **OUTNAKIF**
Bit 1 **INERRIF**
Bit 0 **OUTERRIF**

These bits indicate the EP0 interrupt cause occurrence status.

1 (R): Cause of interrupt occurred
 0 (R): No cause of interrupt occurred
 1 (W): Clear flag
 0 (W): Ineffective

The following shows the correspondence between the bit and interrupt:

USBEP0INTF.INACKIF bit: EP0 ACK reception interrupt
 USBEP0INTF.OUTACKIF bit: EP0 ACK transmission interrupt
 USBEP0INTF.INNAKIF bit: EP0 NAK reception interrupt
 USBEP0INTF.OUTNAKIF bit: EP0 NAK transmission interrupt
 USBEP0INTF.INERRIF bit: EP0 STALL reception interrupt
 USBEP0INTF.OUTERRIF bit: EP0 STALL transmission interrupt

When the interrupt is enabled using the corresponding interrupt enable bit (USBEP0INTE register), setting the interrupt flag in this register sets the USBMAININTF.EP0IF bit. An EP0 interrupt occurs if the USBMAININTE.EP0IE bit = 1 at this time. The interrupt flags in this register do not output an interrupt request directly to the CPU core.

USB EP m Interrupt Flag Registers

Register name	Bit	Bit name	Initial	Reset	R/W	Remarks
USBEP m INTF	7	–	0	–	R	–
	6	OUTSHACKIF	0	H0/S0	R/W	Cleared by writing 1.
	5	INACKIF	0	H0/S0	R/W	
	4	OUTACKIF	0	H0/S0	R/W	
	3	INNAKIF	0	H0/S0	R/W	
	2	OUTNAKIF	0	H0/S0	R/W	
	1	INERRIF	0	H0/S0	R/W	
	0	OUTERRIF	0	H0/S0	R/W	

Bit 7 **Reserved**
Bit 6 **OUTSHACKIF**
Bit 5 **INACKIF**
Bit 4 **OUTACKIF**
Bit 3 **INNAKIF**
Bit 2 **OUTNAKIF**
Bit 1 **INERRIF**
Bit 0 **OUTERRIF**

These bits indicate the EP m interrupt cause occurrence status.

1 (R): Cause of interrupt occurred
 0 (R): No cause of interrupt occurred
 1 (W): Clear flag
 0 (W): Ineffective

The following shows the correspondence between the bit and interrupt:
 USBEP_mINTF.OUTSHACKIF bit: EP_m short packet reception interrupt
 USBEP_mINTF.INACKIF bit: EP_m ACK reception interrupt
 USBEP_mINTF.OUTACKIF bit: EP_m ACK transmission interrupt
 USBEP_mINTF.INNAKIF bit: EP_m NAK reception interrupt
 USBEP_mINTF.OUTNAKIF bit: EP_m NAK transmission interrupt
 USBEP_mINTF.INERRIF bit: EP_m STALL reception interrupt
 USBEP_mINTF.OUTERRIF bit: EP_m STALL transmission interrupt

When the interrupt is enabled using the corresponding interrupt enable bit (USBEP_mINTE register), setting the interrupt flag in this register sets the USBGPEPINTF.EP_mIF bit. The interrupt flags in this register do not output an interrupt request directly to the CPU core.

USB Main Interrupt Enable Register

Register name	Bit	Bit name	Initial	Reset	R/W	Remarks
USBMAININTE	7	SIEIE	0	H0/S0	R/W	-
	6	GPEPIE	0	H0/S0	R/W	
	5-2	-	0x0	-	R	
	1	EPOIE	0	H0/S0	R/W	
	0	EPOSETIE	0	H0/S0	R/W	

This register enables the USB interrupt request output to the CPU core.

Bits 5-2 Reserved

Bit 7 SIEIE

Bit 6 GPEPIE

Bit 1 EPOIE

These bits enable SIE, general-purpose endpoint, and EP0 interrupts.

1 (R/W): Enable interrupts

0 (R/W): Disable interrupts

The following shows the correspondence between the bit and interrupt:

USBMAININTE.SIEIE bit: SIE interrupt

USBMAININTE.GPEPIE bit: general-purpose endpoint interrupt

USBMAININTE.EPOIE bit: EP0 interrupt

The USBMAININTE.SIEIE bit is effective during Snooze as well.

Bit 0 EPOSETIE

This bit enables EP0 setup completion interrupts.

1 (R/W): Enable interrupts

0 (R/W): Disable interrupts

USB SIE Interrupt Enable Register

Register name	Bit	Bit name	Initial	Reset	R/W	Remarks
USBSIEINTE	7	(reserved)	0	H0/S0	R/W	-
	6	NONJIE	0	H0/S0	R/W	
	5	RESETIE	0	H0/S0	R/W	
	4	SUSPENDIE	0	H0/S0	R/W	
	3	SOFIE	0	H0/S0	R/W	
	2	JIE	0	H0/S0	R/W	
	1	-	0	-	R	
	0	ATADDRIE	0	H0/S0	R/W	

Bit 7 Reserved

Bit 1 Reserved

Bit 6 **NONJIE**
Bit 5 **RESETIE**
Bit 4 **SUSPENDIE**
Bit 3 **SOFIE**
Bit 2 **JIE**
Bit 0 **ATADDRIE**

These bits enable SIE interrupts.

1 (R/W): Enable interrupts

0 (R/W): Disable interrupts

The following shows the correspondence between the bit and interrupt:

USBSIEINTE.NONJIE bit: NonJ detection interrupt

USBSIEINTE.RESETIE bit: Reset detection interrupt

USBSIEINTE.SUSPENDIE bit: Suspend detection interrupt

USBSIEINTE.SOFIE bit: SOF reception interrupt

USBSIEINTE.JIE bit: J detection interrupt

USBSIEINTE.ATADDRIE bit: Automatic address setting completion interrupt

When an interrupt flag in the USBSIEINTF register that is enabled using this register is set, the USBMAININTF.SIEIF bit is set. To generate an SIE interrupt to the CPU core, the USBMAININTE.SIEIE bit must be set to 1 in addition to this register.

The USBSIEINTE.NONJIE bit is effective during Snooze as well.

USB General-Purpose Endpoint Interrupt Enable Register

Register name	Bit	Bit name	Initial	Reset	R/W	Remarks
USBGPEPINTE	7-3	-	0x00	-	R	-
	2	EPCIE	0	H0/S0	R/W	
	1	EPBIE	0	H0/S0	R/W	
	0	EPAIE	0	H0/S0	R/W	

Bits 7-3 **Reserved**

Bit 2 **EPCIE**

Bit 1 **EPBIE**

Bit 0 **EPAIE**

These bits enable EP m interrupts.

1 (R/W): Enable interrupts

0 (R/W): Disable interrupts

The following shows the correspondence between the bit and interrupt:

USBGPEPINTE.EPCIE bit: EPc interrupt

USBGPEPINTE.EPBIE bit: EPb interrupt

USBGPEPINTE.EPAIE bit: EPa interrupt

When an interrupt flag in the USBGPEPINTF register that is enabled using this register is set, the USBMAININTF.GPEPIF bit is set. To generate an EP m interrupt to the CPU core, the USBMAININTE.GPEPIE bit must be set to 1 in addition to this register.

USB EP0 Interrupt Enable Register

Register name	Bit	Bit name	Initial	Reset	R/W	Remarks
USBEP0INTE	7-6	-	0x0	-	R	-
	5	INACKIE	0	H0/S0	R/W	
	4	OUTACKIE	0	H0/S0	R/W	
	3	INNAKIE	0	H0/S0	R/W	
	2	OUTNAKIE	0	H0/S0	R/W	
	1	INERRIE	0	H0/S0	R/W	
	0	OUTERRIE	0	H0/S0	R/W	

Bits 7–6 **Reserved**

- Bit 5** **INACKIE**
- Bit 4** **OUTACKIE**
- Bit 3** **INNAKIE**
- Bit 2** **OUTNAKIE**
- Bit 1** **INERRIE**
- Bit 0** **OUTERRIE**

These bits enable EP0 interrupts.

1 (R/W): Enable interrupts

0 (R/W): Disable interrupts

The following shows the correspondence between the bit and interrupt:

USBEP0INTE.INACKIE bit: EP0 ACK reception interrupt

USBEP0INTE.OUTACKIE bit: EP0 ACK transmission interrupt

USBEP0INTE.INNAKIE bit: EP0 NAK reception interrupt

USBEP0INTE.OUTNAKIE bit: EP0 NAK transmission interrupt

USBEP0INTE.INERRIE bit: EP0 STALL reception interrupt

USBEP0INTE.OUTERRIE bit: EP0 STALL transmission interrupt

When an interrupt flag in the USBEP0INTE register that is enabled using this register is set, the USBMAININTE.EP0IF bit is set. To generate an EP0 interrupt to the CPU core, the USBMAININTE.EP0IE bit must be set to 1 in addition to this register.

USB EP_m Interrupt Enable Registers

Register name	Bit	Bit name	Initial	Reset	R/W	Remarks
USBEP _m INTE	7	–	0	–	R	–
	6	OUTSHACKIE	0	H0/S0	R/W	
	5	INACKIE	0	H0/S0	R/W	
	4	OUTACKIE	0	H0/S0	R/W	
	3	INNAKIE	0	H0/S0	R/W	
	2	OUTNAKIE	0	H0/S0	R/W	
	1	INERRIE	0	H0/S0	R/W	
	0	OUTERRIE	0	H0/S0	R/W	

Bit 7 **Reserved**

- Bit 6** **OUTSHACKIE**
- Bit 5** **INACKIE**
- Bit 4** **OUTACKIE**
- Bit 3** **INNAKIE**
- Bit 2** **OUTNAKIE**
- Bit 1** **INERRIE**
- Bit 0** **OUTERRIE**

These bits enable EP_m interrupts.

1 (R/W): Enable interrupts

0 (R/W): Disable interrupts

The following shows the correspondence between the bit and interrupt:

USBEP_mINTE.OUTSHACKIE bit: EP_m short packet reception interrupt

USBEP_mINTE.INACKIE bit: EP_m ACK reception interrupt

USBEP_mINTE.OUTACKIE bit: EP_m ACK transmission interrupt

USBEP_mINTE.INNAKIE bit: EP_m NAK reception interrupt

USBEP_mINTE.OUTNAKIE bit: EP_m NAK transmission interrupt

USBEP_mINTE.INERRIE bit: EP_m STALL reception interrupt

USBEP_mINTE.OUTERRIE bit: EP_m STALL transmission interrupt

When an interrupt flag in the USBEP m INTF register that is enabled using this register is set, the USBGPEPINTF.EP m IF bit is set. To generate an EP m interrupt to the CPU core, the USBGPEPINTE.EP m IE and USBMAININTE.GPEPIE bits must be both set to 1 in addition to this register.

USB FIFO Data Register

Register name	Bit	Bit name	Initial	Reset	R/W	Remarks
USBFIFODAT	7-0	FIFODAT[7:0]	X	–	R/W	–

Bits 7–0 FIFODAT[7:0]

Data can be read/write from/to the FIFO of the specified endpoint through these bits.

For the FIFO access procedure, refer to “Accessing to FIFO by CPU” in Section 22.5.9, “FIFO Management.”

- Notes:**
- If the FIFO is read through this register without setting the USBFIFORWEN.FIFORDEN bit to 1, or this register is read when the FIFO of the relevant endpoint is empty, a dummy data is read out.
 - If an attempt is made to write data to this register without setting the USBFIFORWEN.FIFOWREN bit to 1, or an attempt is made to write data to this register when the FIFO of the relevant endpoint is full, no data is written to the FIFO.

USB Debug RAM Data Register

Register name	Bit	Bit name	Initial	Reset	R/W	Remarks
USBDBGAMDAT	7-0	DBRAMDAT[7:0]	X	–	R/W	–

Bits 7–0 DBRAMDAT[7:0]

Data can be read/write from/to the FIFO for debugging through these bits.

Before accessing the FIFO, set the access start address within the FIFO to the USBDBGAMADDR.DRAMADDR[7:0] bits. After that read or write 1-byte data from/to this register. The FIFO address set in the USBDBGAMADDR.DRAMADDR[7:0] bits are automatically incremented every time data is read or written from/to this register.

Note that the FIFO address is incremented even if reading follows writing, therefore, data written to an address cannot be read in the subsequent reading.

Do not use this register during normal operation, as it is provided only for debugging.

USB Misc Control Register

Register name	Bit	Bit name	Initial	Reset	R/W	Remarks
USBMISCCTL	15–13	–	0x0	–	R	–
	12	USBWAIT	1	H0	R/WP	
	11–9	–	0x0	–	R	
	8	USBSNZ	0	H0	R/WP	
	7	USBCLKSEL	0	H0	R/WP	
	6	USBPLEN	0	H0	R/WP	
	5	USBCLKEN	0	H0	R/WP	
	4	VBUSDET	0	H0	R/WP	
	3	USBRST	0	H0	R/WP	
	2	–	0	–	R	
	1	REG18VEN	0	H0	R/WP	
0	REG33VEN	0	H0	R/WP		

Bits 15–13 Reserved

Bit 12 USBWAIT

This bit sets the number of bus access cycles for accessing a USB register.

Table 22.8.5 Number of Bus Access Cycles for Accessing USB register

USBMISCCTL.USBWAIT bit	Number of bus access cycles	System clock frequency
1	3	21 MHz (max.)
0	1	4 MHz (max.)

Bits 11–9 Reserved

Bit 8 USBSNZ

This bit controls Snooze mode.

1 (R/W): Enter Snooze mode (assert SNOOZE signal)

0 (R/W): Exit Snooze mode (negate SNOOZE signal)

When this bit is set to 1, the USB controller performs a transition sequence and then it enters Snooze mode. When this bit is set to 0 in Snooze mode, the USB controller resumes operating. For details of the snooze sequence, Refer to Section 22.5.10, “Snooze.”

Bit 7 USBCLKSEL

This bit selects the USB clock source.

1 (R/W): USBOSC

0 (R/W): PLL

Bit 6 USBPLEN

This bit enables the PLL operation.

1 (R/W): Enable PLL operation

0 (R/W): Disable PLL operation

When this bit is set to 1, the PLL inputs the 12 MHz OSC3 clock and generates the 48 MHz USB clock by multiplying the input clock by four. Therefore, before enabling the PLL, the OSC3 oscillator circuit must be activated and the output clock must be stabilized. For control of the OSC3 oscillator circuit, refer to the “Clock Sources” section in the “Power Supply, Reset, and Clocks” chapter.

Before the PLL output clock is stabilized, do not set the USBMISCCTL.USBRST bit to 1 to release the USB controller from the reset state. For the PLL output clock stabilization waiting time, refer to “PLL characteristic, lock-up time” in the “Electrical Characteristics” chapter.

Bit 5 USBCLKEN

This bit enables the USBOSC oscillator output.

1 (R/W): Enable USBOSC oscillator output

0 (R/W): Disable USBOSC oscillator output

This bit should be set to 1 after the USB regulator output has stabilized. It is not necessary to wait for the oscillation to be stabilized, as the clock supply to the USB circuit starts after the USB circuit is released from reset state by setting the USBMISCCTL.USBRST bit.

Bit 4 VBUSDET

This bit notifies the USB controller that VBUS connection is detected, and enables the communication between the USB controller and other blocks in this IC.

1 (R/W): VBUS connection is detected

0 (R/W): VBUS connection is not detected

Set this bit to 1 via software after VBUS connection is detected using the VBUS_MON port. For the control when VBUS is connected, refer to Section 22.5.1, “Initialization.”

Note: When the USBMISCCTL.VBUSDET bit = 0, all the USB register values (except for the USBMISCCTL register) are read as 0.

Bit 3 USBRST

This bit puts/releases the USB circuits into/from reset state asynchronously with the clock.

1 (R/W): Release USB circuit from reset state

0 (R/W): Put USB circuit into reset state

For the control timing, refer to Section 22.5.1, “Initialization.”

Bit 2 Reserved

Bit 1 REG18VEN

This bit turns the 1.8 V regulator for the USB logic circuits on or off.

1 (R/W): Regulator On

0 (R/W): Regulator Off

When the USBOSC oscillator is selected as the USB clock source, setting this bit activates the USBOSC oscillator as well as the regulator. This bit must be set to 1 even if the PLL is selected as the USB clock source.

Bit 0 REG33VEN

This bit turns the 3.3 V regulator for the PHY on or off.

1 (R/W): Regulator On

0 (R/W): Regulator Off

USB FIFO Write DMA Request Enable Register

Register name	Bit	Bit name	Initial	Reset	R/W	Remarks
USBMISCWR DMAEN	15–0	WRDMAEN[15:0]	0x0000	H0	R/W	–

Bits 15–0 WRDMAEN[15:0]

These bits enable the USB controller to issue a DMA transfer request to the corresponding DMA controller channel (Ch.0–Ch.15) when an available space is generated in the FIFO of the specified endpoint (USBREMSPCCNT.REMSPC[6:0] bits ≠ 0).

1 (R/W): Enable DMA transfer request

0 (R/W): Disable DMA transfer request

Each bit corresponds to a DMA controller channel. The high-order bits for the unimplemented channels are ineffective.

USB FIFO Read DMA Request Enable Register

Register name	Bit	Bit name	Initial	Reset	R/W	Remarks
USBMISCRD DMAEN	15–0	RDDMAEN[15:0]	0x0000	H0	R/W	–

Bits 15–0 RDDMAEN[15:0]

These bits enable the USB controller to issue a DMA transfer request to the corresponding DMA controller channel (Ch.0–Ch.15) when a valid data is loaded into the FIFO of the specified endpoint (USBREMDATCNT.REMDAT[6:0] bits ≠ 0).

1 (R/W): Enable DMA transfer request

0 (R/W): Disable DMA transfer request

Each bit corresponds to a DMA controller channel. The high-order bits for the unimplemented channels are ineffective.

23 Electrical Characteristics

23.1 Absolute Maximum Ratings

(V_{SS} = 0 V)

Item	Symbol	Condition	Rated value	Unit
Power supply voltage	V _{DD}		-0.3 to 4.0	V
V _{BUS} voltage	V _{BUS}		-0.3 to 7.0	V
Flash programming voltage	V _{PP}		-0.3 to 8.0	V
LCD power supply voltage	V _{C1}		-0.3 to 7.0	V
	V _{C2}		-0.3 to 7.0	V
	V _{C3}		-0.3 to 7.0	V
	V _{C4}		-0.3 to 7.0	V
	V _{C5}		-0.3 to 7.0	V
Input voltage	V _I	#RESET, TEST, P00–07, P10–17, P20–26, PD0–D3	-0.3 to V _{DD} + 0.5	V
		P27, P30–37, P40–47, P50–57, P60–67, P70–77, P80–81, P90	-0.3 to 7.0	V
Output voltage	V _O		-0.3 to V _{DD} + 0.5	V
High level output current	I _{OH}	1 pin	-10	mA
		Total of all pins	-20	mA
Low level output current	I _{OL}	1 pin	10	mA
		Total of all pins	20	mA
Operating temperature	T _a		-40 to 85	°C
Storage temperature	T _{stg}		-65 to 125	°C

23.2 Recommended Operating Conditions

Item	Symbol	Condition	Min.	Typ.	Max.	Unit
Power supply voltage	V _{DD}	For normal operation	1.8	–	3.6	V
		For Flash programming	2.7	–	3.6	V
		For LCD driver operation	2.5	–	3.6	V
V _{BUS} voltage	V _{BUS}		4.4	5.0	5.25	V
Flash programming voltage	V _{PP}		7.3	7.5	7.7	V
LCD power supply voltage (1/5 bias)	V _{C1}	When an external voltage is applied V _{C1} ≤ V _{C2} ≤ V _{C3} ≤ V _{C4} ≤ V _{C5}	–	1	1.2	V
	V _{C2}		–	2	2.4	V
	V _{C3}		–	3	3.6	V
	V _{C4}		–	4	4.8	V
	V _{C5}		–	5	6	V
LCD power supply voltage (1/4 bias)	V _{C1}	When an external voltage is applied V _{C1} ≤ V _{C2} ≤ V _{C3} ≤ V _{C4} (= V _{C5})	–	1	1.2	V
	V _{C2}		–	2	2.4	V
	V _{C3}		–	3	3.6	V
	V _{C4}		–	4	4.8	V
OSC1 oscillator oscillation frequency	f _{OSC1}	Crystal oscillator	–	32.768	–	kHz
OSC3 oscillator oscillation frequency	f _{OSC3}	Crystal/ceramic oscillator	0.2	–	20.5	MHz
EXOSC external clock frequency	f _{EXOSC}	When supplied from an external oscillator	0.016	–	21	MHz
USBOSC oscillator oscillation frequency	f _{USB}	Crystal oscillator	–	48	–	MHz
Bypass capacitor between V _{SS} and V _{DD}	CPW1		–	3.3	–	μF
Capacitor between V _{SS} and V _{D1}	CPW2		–	1	1.2	μF
Capacitor between V _{SS} and V _{C1}	CLCD1	*1, *2	–	0.1	–	μF
Capacitors between V _{SS} and V _{C2-5}	CLCD2-5	*1, *2	–	1	–	μF
Capacitors between CP1 and CP2, CP1 and CP3, CP4 and CP5	CLCD6-8	*1, *2	–	1	–	μF
Capacitors between V _{SS} and USB18VOUT, V _{SS} and USB33VOUT	CUSB1-2		–	1	–	μF
Gate capacitor for OSC1 oscillator	CG1	*3	0	–	25	pF
Drain capacitor for OSC1 oscillator	CD1	*3	–	0	–	pF
Gate capacitor for OSC3 oscillator	CG3	When crystal/ceramic oscillator is used *3	0	–	100	pF
Drain capacitor for OSC3 oscillator	CD3	When crystal/ceramic oscillator is used *3	0	–	100	pF
Gate capacitor for USBOSC oscillator	CGUSB	*3	–	0	–	pF
Drain capacitor for USBOSC oscillator	CDUSB	*3	–	0	–	pF
Debug pin pull-up resistors	RDBG1-2	*4	–	100	–	kΩ
Capacitor between V _{SS} and V _{PP}	CVPP	*5	–	0.1	–	μF

23 ELECTRICAL CHARACTERISTICS

- *1 The V_{C1} – V_{C5} and C_{P1} – C_{P5} pins can be left open when the LCD driver is not used.
- *2 Connect between the V_{C4} and V_{C5} pins when the LCD power supply circuit is configured for 1/4 bias. Also the C_{P4} – C_{P5} pins can be left open.
- *3 The component values should be determined after performing matching evaluation of the resonator mounted on the printed circuit board actually used.
- *4 R_{DBG1-2} are not required when using the debug pins as general-purpose I/O ports.
- *5 C_{VPP} should be connected only when the V_{PP} voltage is not stable.

23.3 Current Consumption

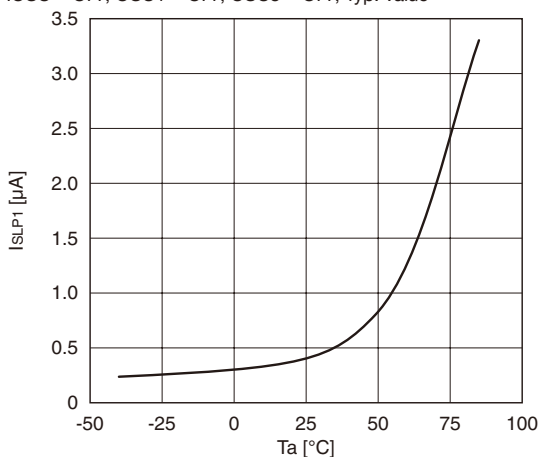
Unless otherwise specified: $V_{DD} = 1.8$ to 3.6 V, $V_{SS} = 0$ V, $T_a = 25$ °C, EXOSC = OFF, PWGACTL.REGMODE[1:0] bits = 0x0 (automatic mode), PWGACTL.REGSEL bit = 1 (mode0), FLASHCWAIT.RDWAIT[1:0] bits = 0x1 (2 cycles)

Item	Symbol	Condition	Min.	Typ.	Max.	Unit
Current consumption in SLEEP mode	I _{SLEEP1}	IOSC = OFF, OSC1 = OFF, OSC3 = OFF, $V_{DD} = 3.3$ V	–	0.40	3.5	μA
	I _{SLEEP2}	IOSC = OFF, OSC1 = OFF, OSC3 = OFF, $V_{DD} = 3.3$ V, PWGACTL.REGSEL bit = 0 (mode1)	–	0.37	3.0	μA
	I _{SLEEP3}	IOSC = OFF, OSC1 = 32 kHz ^{*1} , OSC3 = OFF, RTCA = ON, $V_{DD} = 3.3$ V	–	0.9	5.5	μA
	I _{SLEEP4}	IOSC = OFF, OSC1=32 kHz ^{*1} , OSC3 = OFF, RTCA = ON, $V_{DD} = 3.3$ V, PWGACTL.REGSEL bit = 0 (mode1)	–	0.8	5.0	μA
Current consumption in HALT mode	I _{HALT1}	IOSC = 20 MHz, OSC1 = 32 kHz ^{*1} , OSC3 = OFF, SYSCLK = IOSC	–	920	1,100	μA
	I _{HALT2}	IOSC = OFF, OSC1 = 32 kHz ^{*1} , OSC3 = OFF, SYSCLK = OSC1, $V_{DD} = 3.3$ V	–	1.7	7.5	μA
	I _{HALT3}	IOSC = OFF, OSC1 = 32 kHz ^{*1} , OSC3 = OFF, SYSCLK = OSC1, $V_{DD} = 3.3$ V, PWGACTL.REGSEL bit = 0 (mode1)	–	1.3	7.0	μA
	I _{HALT4}	IOSC = OFF, OSC1 = 32 kHz ^{*1} , OSC3 = 8 MHz (ceramic oscillator) ^{*2} , SYSCLK = OSC3	–	370	500	μA
Current consumption in RUN mode	I _{RUN1} ^{*3}	IOSC = 20 MHz, OSC1 = 32 kHz ^{*1} , OSC3 = OFF, SYSCLK = IOSC, FLASHCWAIT.RDWAIT[1:0] bits = 0x2 (3 cycles)	–	4,400	5,000	μA
	I _{RUN2} ^{*3}	IOSC = 16 MHz, OSC1 = 32 kHz ^{*1} , OSC3 = OFF, SYSCLK = IOSC	–	4,000	4,500	μA
	I _{RUN3} ^{*3}	IOSC = 8 MHz, OSC1 = 32 kHz ^{*1} , OSC3 = OFF, SYSCLK = IOSC, FLASHCWAIT.RDWAIT[1:0] bits = 0x0 (1 cycle)	–	2,400	2,700	μA
	I _{RUN4} ^{*3}	IOSC = 2 MHz, OSC1 = 32 kHz ^{*1} , OSC3 = OFF, SYSCLK = IOSC, PWGACTL.REGSEL bit = 0 (mode1)	–	300	400	μA
	I _{RUN5} ^{*3}	IOSC = OFF, OSC1 = 32 kHz ^{*1} , OSC3 = OFF, SYSCLK = OSC1, $V_{DD} = 3.3$ V, FLASHCWAIT.RDWAIT[1:0] bits = 0x0 (1 cycle)	–	10	15	μA
	I _{RUN6} ^{*3}	IOSC = OFF, OSC1 = 32 kHz ^{*1} , OSC3 = OFF, SYSCLK = OSC1, $V_{DD} = 3.3$ V, PWGACTL.REGSEL bit = 0 (mode1), FLASHCWAIT.RDWAIT[1:0] bits = 0x0 (1 cycle)	–	7	10	μA
	I _{RUN7} ^{*3}	IOSC = OFF, OSC1 = 32 kHz ^{*1} , OSC3 = 8 MHz (ceramic oscillator) ^{*2} , SYSCLK = OSC3, FLASHCWAIT.RDWAIT[1:0] bits = 0x0 (1 cycle)	–	2,300	2,600	μA

- *1 OSC1 oscillator: CLGOSC1.INV1N[1:0] bits = 0x0, CLGOSC1.CGI1[2:0] bits = 0x0, CLGOSC1.OSDEN bit = 0, $C_{G1} = C_{D1} = 0$ pF, Crystal resonator = C-002RX (manufactured by Seiko Epson Corporation, $R_1 = 50$ kΩ (Max.), $C_L = 7$ pF)
- *2 OSC3 oscillator: CLGOSC3.OSC3MMD[1:0] bits = 0x2, CLGOSC3.OSC3INV[1:0] bits = 0x0, $C_{G3} = C_{D3} = 10$ pF
- *3 The current consumption values were measured when a test program consisting of 60.5 % ALU instructions, 17 % branch instructions, 12 % RAM read instructions, and 10.5 % RAM write instructions was executed continuously in the Flash memory.

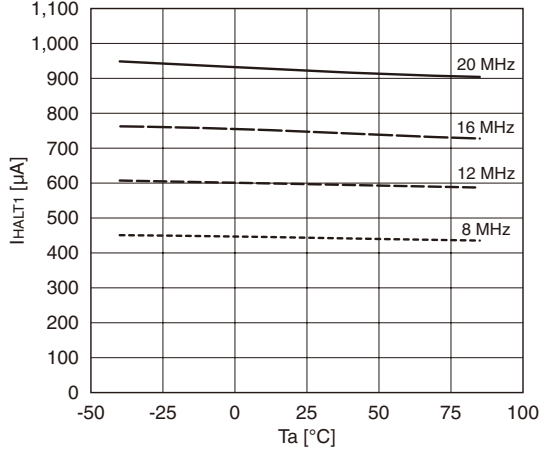
Current consumption-temperature characteristic in SLEEP mode

IOSC = OFF, OSC1 = OFF, OSC3 = OFF, Typ. value



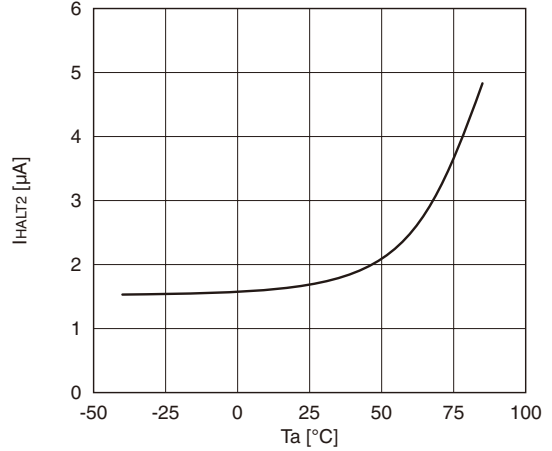
Current consumption-temperature characteristic in HALT mode (IOSC operation)

IOSC = ON, OSC1 = 32 kHz, OSC3 = OFF, Typ. value



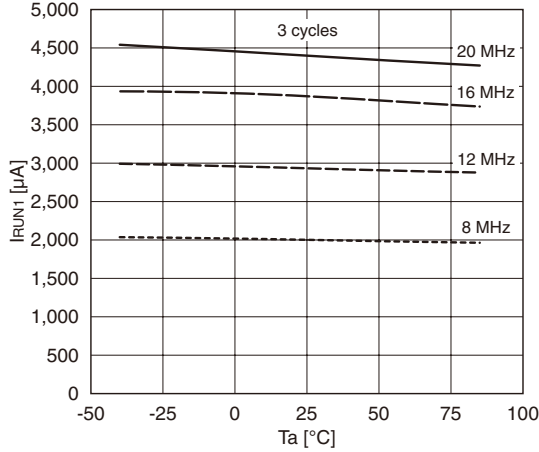
Current consumption-temperature characteristic in HALT mode (OSC1 operation)

IOSC = OFF, OSC1 = 32 kHz, OSC3 = OFF, Typ. value



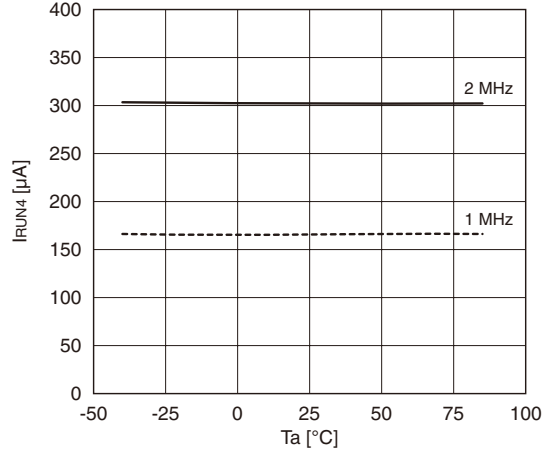
Current consumption-temperature characteristic in RUN mode (IOSC operation)

IOSC = ON, OSC1 = 32 kHz, OSC3 = OFF
PWGACTL.REGSEL bit = 1 (mode0), Typ. value



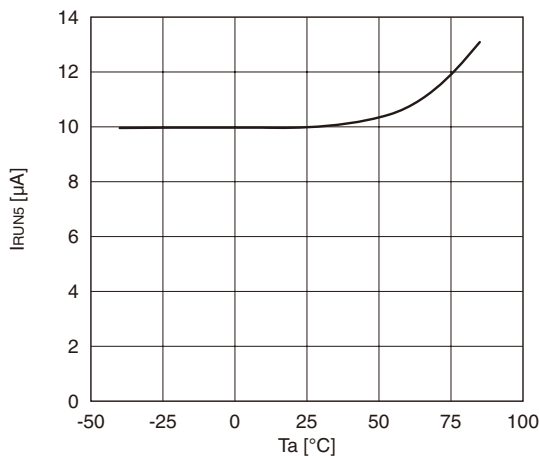
Current consumption-temperature characteristic in RUN mode (IOSC operation)

IOSC = ON, OSC1 = 32 kHz, OSC3 = OFF
PWGACTL.REGSEL bit = 0 (mode1), Typ. value



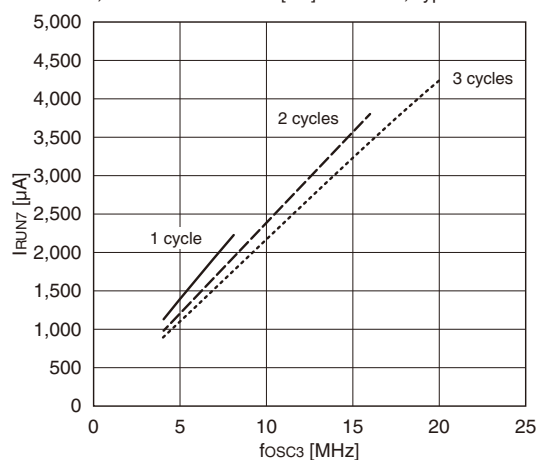
Current consumption-temperature characteristic in RUN mode (OSC1 operation)

IOSC = OFF, OSC1 = 32 kHz, OSC3 = OFF, Typ. value



Current consumption-frequency characteristic in RUN mode (OSC3 operation)

IOSC = OFF, OSC1 = 32 kHz, OSC3 = ON (ceramic oscillator),
 $T_a = 25^{\circ}C$, CLGOSC3.OSC3INV[1:0] bits = 0x3, Typ. value



23.4 System Reset Controller (SRC) Characteristics

#RESET pin characteristics

Unless otherwise specified: $V_{DD} = 1.8$ to 3.6 V, $V_{SS} = 0$ V, $T_a = -40$ to 85 °C

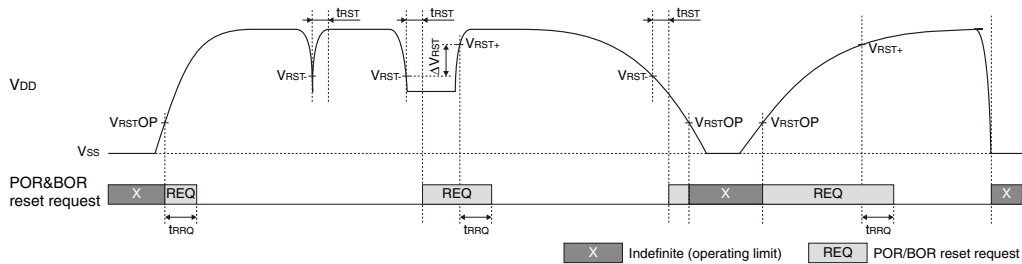
Item	Symbol	Condition	Min.	Typ.	Max.	Unit
High level Schmitt input threshold voltage	V_{T+}		$0.5 \times V_{DD}$	–	$0.8 \times V_{DD}$	V
Low level Schmitt input threshold voltage	V_{T-}		$0.2 \times V_{DD}$	–	$0.5 \times V_{DD}$	V
Schmitt input hysteresis voltage	ΔV_T		180	–	–	mV
Input pull-up resistance	R_{IN}		100	270	500	k Ω
Pin capacitance	C_{IN}		–	–	15	pF
Reset Low pulse width	t_{SR}		5	–	–	μ s



POR/BOR characteristics

Unless otherwise specified: $V_{DD} = 1.8$ to 3.6 V, $V_{SS} = 0$ V, $T_a = -40$ to 85 °C

Item	Symbol	Condition	Min.	Typ.	Max.	Unit
POR/BOR canceling voltage	V_{RST+}		1.41	–	1.75	V
POR/BOR detection voltage	V_{RST-}		1.25	–	1.55	V
POR/BOR hysteresis voltage	ΔV_{RST}		40	60	–	mV
POR/BOR detection response time	t_{RST}		–	–	20	μ s
POR/BOR operating limit voltage	V_{RSTOP}		–	0.5	0.95	V
POR/BOR reset request hold time	t_{RRQ}		0.01	–	4	ms



Note: When performing a power-on-reset again after the power is turned off, decrease the V_{DD} voltage to V_{RSTOP} or less.

Reset hold circuit characteristics

Unless otherwise specified: $V_{DD} = 1.8$ to 3.6 V, $V_{SS} = 0$ V, $T_a = -40$ to 85 °C

Item	Symbol	Condition	Min.	Typ.	Max.	Unit
Reset hold time*1	t_{RSTR}		–	–	150	μ s

*1 Time until the internal reset signal is negated after the reset request is canceled.

23.5 Clock Generator (CLG) Characteristics

Oscillator circuit characteristics including resonators change depending on conditions (board pattern, components used, etc.). Use these characteristic values as a reference and perform matching evaluation using the actual printed circuit board.

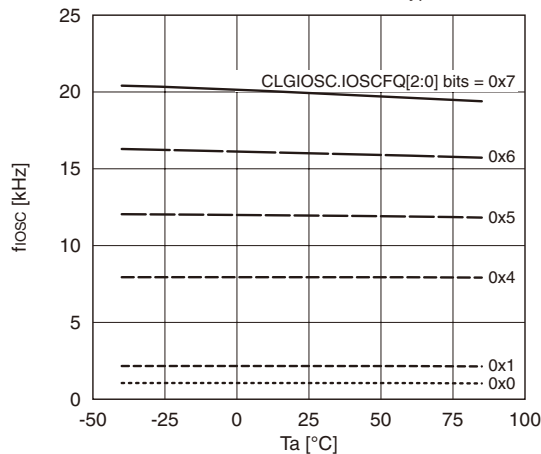
IOSC oscillator circuit characteristics

Unless otherwise specified: $V_{DD} = 1.8$ to 3.6 V, $V_{SS} = 0$ V, $T_a = -40$ to 85 °C

Item	Symbol	Condition	Min.	Typ.	Max.	Unit
Oscillation start time	t_{stal}		–	–	3	μ s
Oscillation frequency	f_{osc}	CLGOSC.IOSCFQ[2:0] bits = 0x7, PWGACTL.REGSEL bit = 1	18	20	21	MHz
		CLGOSC.IOSCFQ[2:0] bits = 0x6, PWGACTL.REGSEL bit = 1	14.4	16	16.8	MHz
		CLGOSC.IOSCFQ[2:0] bits = 0x5, PWGACTL.REGSEL bit = 1	10.8	12	12.6	MHz
		CLGOSC.IOSCFQ[2:0] bits = 0x4, PWGACTL.REGSEL bit = 1	7.2	8	8.4	MHz
		CLGOSC.IOSCFQ[2:0] bits = 0x1, PWGACTL.REGSEL bit = 1	1.76	2.2	2.64	MHz
		CLGOSC.IOSCFQ[2:0] bits = 0x0, PWGACTL.REGSEL bit = 1	0.88	1.1	1.32	MHz
		CLGOSC.IOSCFQ[2:0] bits = 0x1, PWGACTL.REGSEL bit = 0	1.8	2	2.1	MHz
		CLGOSC.IOSCFQ[2:0] bits = 0x0, PWGACTL.REGSEL bit = 0	0.9	1	1.05	MHz

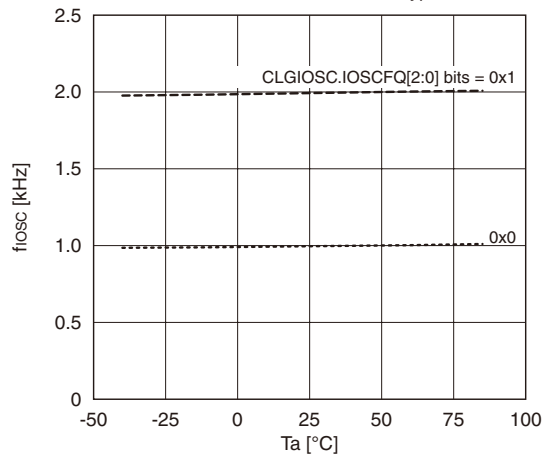
IOSC oscillation frequency-temperature characteristic

$V_{DD} = 1.8$ to 3.6 V, PWGACTL.REGSEL bit = 1, Typ. value



IOSC oscillation frequency-temperature characteristic

$V_{DD} = 1.8$ to 3.6 V, PWGACTL.REGSEL bit = 0, Typ. value



OSC1 oscillator circuit characteristics

Unless otherwise specified: $V_{DD} = 1.8$ to 3.6 V, $V_{SS} = 0$ V, $T_a = 25$ °C

Item	Symbol	Condition	Min.	Typ.	Max.	Unit
Oscillation start time*1	tsta1	CLGOSC1.INV1N[1:0] bits = 0x1, CLGOSC1.INV1B[1:0] bits = 0x2, CLGOSC1.OSC1BUP bit = 1	-	-	3	s
Internal gate capacitance	CGI1	CLGOSC1.CGI1[2:0] bits = 0x0	-	12	-	pF
		CLGOSC1.CGI1[2:0] bits = 0x1	-	14	-	pF
		CLGOSC1.CGI1[2:0] bits = 0x2	-	16	-	pF
		CLGOSC1.CGI1[2:0] bits = 0x3	-	18	-	pF
		CLGOSC1.CGI1[2:0] bits = 0x4	-	19	-	pF
		CLGOSC1.CGI1[2:0] bits = 0x5	-	21	-	pF
		CLGOSC1.CGI1[2:0] bits = 0x6	-	23	-	pF
CLGOSC1.CGI1[2:0] bits = 0x7	-	24	-	pF		
Internal drain capacitance	CDI1		-	6	-	pF
Oscillator circuit current - oscillation inverter drivability ratio *1	Iosc1	CLGOSC1.INV1N/INV1B[1:0] bits = 0x0	-	70	-	%
		CLGOSC1.INV1N/INV1B[1:0] bits = 0x1 (reference)	-	100	-	%
		CLGOSC1.INV1N/INV1B[1:0] bits = 0x2	-	130	-	%
		CLGOSC1.INV1N/INV1B[1:0] bits = 0x3	-	300	-	%
Oscillation stop detector current	IosD1	CLGOSC1.OSDEN bit = 1	-	0.025	0.1	µA

*1 Crystal resonator = C-002RX (manufactured by Seiko Epson Corporation, $R_1 = 50$ kΩ (Max.), $C_L = 7$ pF)

OSC3 oscillator circuit characteristics

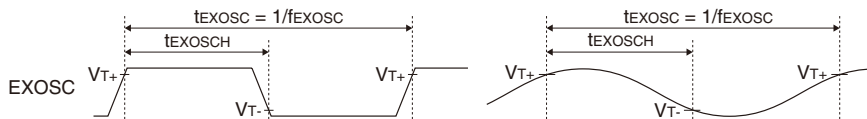
Unless otherwise specified: $V_{DD} = 1.8$ to 3.6 V, $V_{SS} = 0$ V, $T_a = 25$ °C

Item	Symbol	Condition	Min.	Typ.	Max.	Unit
Oscillation start time	tsta3	Crystal resonator	-	-	20	ms
		Ceramic resonator	-	-	1	ms
Internal gate capacitance	CGI3		-	5	-	pF
Internal drain capacitance	CDI3		-	5	-	pF

EXOSC external clock input characteristics

Unless otherwise specified: $V_{DD} = 1.8$ to 3.6 V, $V_{SS} = 0$ V, $T_a = -40$ to 85 °C

Item	Symbol	Condition	Min.	Typ.	Max.	Unit
EXOSC external clock duty ratio	tEXOSCD	tEXOSCD = tEXOSCH/tEXOSC	46	-	54	%
High level Schmitt input threshold voltage	V _{T+}		$0.5 \times V_{DD}$	-	$0.8 \times V_{DD}$	V
Low level Schmitt input threshold voltage	V _{T-}		$0.2 \times V_{DD}$	-	$0.5 \times V_{DD}$	V
Schmitt input hysteresis voltage	ΔV _T		180	-	-	mV



USBOSC oscillator circuit characteristics

Unless otherwise specified: $V_{DD} = 1.8$ to 3.6 V, $V_{BUS} = 4.5$ to 5.5 V, $V_{SS} = 0$ V, $T_a = 25$ °C

Item	Symbol	Condition	Min.	Typ.	Max.	Unit
Oscillation start time	tstausb		-	-	4	ms

23.6 Flash Memory Characteristics

Unless otherwise specified: $V_{DD} = 1.8$ to 3.6 V, $V_{SS} = 0$ V, $T_a = -40$ to 85 °C

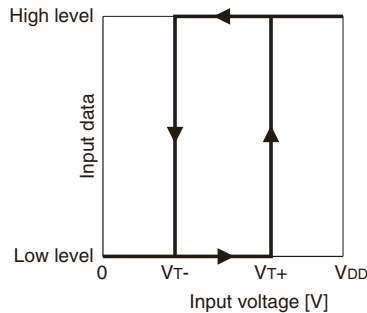
Item	Symbol	Condition	Min.	Typ.	Max.	Unit
Programming count *1	C _{FEP}	Programmed data is guaranteed to be retained for 10 years.	1,000	-	-	times

*1 Assumed that Erasing + Programming as count of 1. The count includes programming in the factory for shipment with ROM data programmed.

23.7 Input/Output Port (PPORT) Characteristics

Unless otherwise specified: $V_{DD} = 1.8$ to 3.6 V, $V_{SS} = 0$ V, $T_a = -40$ to 85 °C

Item	Symbol	Condition	Min.	Typ.	Max.	Unit
High level Schmitt input threshold voltage	V_{T+}		$0.5 \times V_{DD}$	–	$0.8 \times V_{DD}$	V
Low level Schmitt input threshold voltage	V_{T-}		$0.2 \times V_{DD}$	–	$0.5 \times V_{DD}$	V
Schmitt input hysteresis voltage	ΔV_T		180	–	–	mV
High level output current	I_{OH}	$V_{OH} = 0.9 \times V_{DD}$	–	–	-0.4	mA
Low level output current	I_{OL}	$V_{OL} = 0.1 \times V_{DD}$	0.4	–	–	mA
Leakage current	I_{LEAK}		-150	–	150	nA
Input pull-up resistance	R_{INU}		75	150	300	k Ω
Input pull-down resistance	R_{IND}		75	150	300	k Ω
Pin capacitance	C_{IN}		–	–	15	pF



23.8 Supply Voltage Detector (SVD2) Characteristics

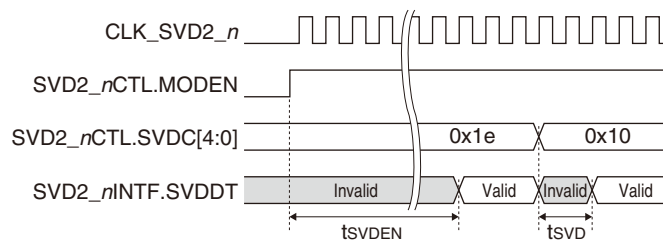
Unless otherwise specified: $V_{DD} = 1.8$ to 3.6 V, $V_{SS} = 0$ V, $T_a = -40$ to 85 °C

Item	Symbol	Condition	Min.	Typ.	Max.	Unit
EXSVDn pin input voltage range	V_{EXSVD}		0	–	5.50	V
EXSVDn input impedance	R_{EXSVD}	SVD2_nCTL.SVDC[4:0] bits = 0x00	334	391	448	k Ω
		SVD2_nCTL.SVDC[4:0] bits = 0x01	345	402	459	k Ω
		SVD2_nCTL.SVDC[4:0] bits = 0x02	358	414	470	k Ω
		SVD2_nCTL.SVDC[4:0] bits = 0x03	365	425	486	k Ω
		SVD2_nCTL.SVDC[4:0] bits = 0x04	373	437	500	k Ω
		SVD2_nCTL.SVDC[4:0] bits = 0x05	403	460	517	k Ω
		SVD2_nCTL.SVDC[4:0] bits = 0x06	420	483	546	k Ω
		SVD2_nCTL.SVDC[4:0] bits = 0x07	445	505	566	k Ω
		SVD2_nCTL.SVDC[4:0] bits = 0x08	454	528	603	k Ω
		SVD2_nCTL.SVDC[4:0] bits = 0x09	480	551	623	k Ω
		SVD2_nCTL.SVDC[4:0] bits = 0x0a	505	575	644	k Ω
		SVD2_nCTL.SVDC[4:0] bits = 0x0b	510	598	685	k Ω
		SVD2_nCTL.SVDC[4:0] bits = 0x0c	544	620	697	k Ω
		SVD2_nCTL.SVDC[4:0] bits = 0x0d	554	643	733	k Ω
		SVD2_nCTL.SVDC[4:0] bits = 0x0e	582	666	751	k Ω
		SVD2_nCTL.SVDC[4:0] bits = 0x0f	599	689	780	k Ω
		SVD2_nCTL.SVDC[4:0] bits = 0x10	617	713	809	k Ω
		SVD2_nCTL.SVDC[4:0] bits = 0x11	633	735	837	k Ω
		SVD2_nCTL.SVDC[4:0] bits = 0x12	663	759	854	k Ω
		SVD2_nCTL.SVDC[4:0] bits = 0x13	672	782	892	k Ω
SVD2_nCTL.SVDC[4:0] bits = 0x14	679	805	931	k Ω		
SVD2_nCTL.SVDC[4:0] bits = 0x15	700	828	955	k Ω		
SVD2_nCTL.SVDC[4:0] bits = 0x16	738	852	965	k Ω		
SVD2_nCTL.SVDC[4:0] bits = 0x17	761	874	987	k Ω		
SVD2_nCTL.SVDC[4:0] bits = 0x18	762	898	1,034	k Ω		
SVD2_nCTL.SVDC[4:0] bits = 0x19	803	920	1,038	k Ω		
SVD2_nCTL.SVDC[4:0] bits = 0x1a	811	932	1,053	k Ω		
SVD2_nCTL.SVDC[4:0] bits = 0x1b	801	944	1,086	k Ω		
SVD2_nCTL.SVDC[4:0] bits = 0x1c	815	954	1,094	k Ω		
SVD2_nCTL.SVDC[4:0] bits = 0x1d	832	967	1,102	k Ω		
SVD2_nCTL.SVDC[4:0] bits = 0x1e	825	977	1,130	k Ω		
SVD2_nCTL.SVDC[4:0] bits = 0x1f	834	990	1,147	k Ω		

23 ELECTRICAL CHARACTERISTICS

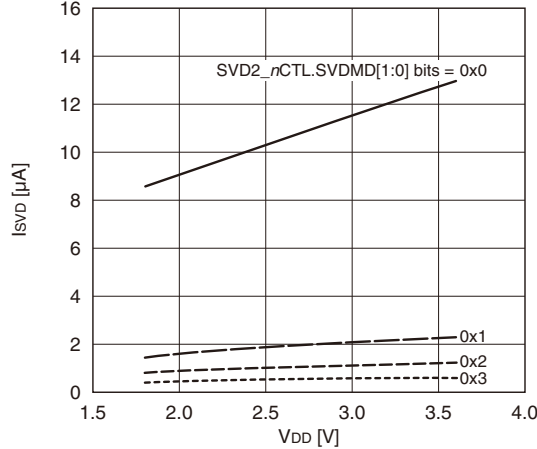
Item	Symbol	Condition	Min.	Typ.	Max.	Unit
SVD detection voltage	V _{SVD}	SVD2_nCTL.SVDC[4:0] bits = 0x00	1.66	1.70	1.74	V
		SVD2_nCTL.SVDC[4:0] bits = 0x01	1.71	1.75	1.79	V
		SVD2_nCTL.SVDC[4:0] bits = 0x02	1.76	1.80	1.85	V
		SVD2_nCTL.SVDC[4:0] bits = 0x03	1.80	1.85	1.90	V
		SVD2_nCTL.SVDC[4:0] bits = 0x04	1.85	1.90	1.95	V
		SVD2_nCTL.SVDC[4:0] bits = 0x05	1.95	2.00	2.05	V
		SVD2_nCTL.SVDC[4:0] bits = 0x06	2.05	2.10	2.15	V
		SVD2_nCTL.SVDC[4:0] bits = 0x07	2.15	2.20	2.26	V
		SVD2_nCTL.SVDC[4:0] bits = 0x08	2.24	2.30	2.36	V
		SVD2_nCTL.SVDC[4:0] bits = 0x09	2.34	2.40	2.46	V
		SVD2_nCTL.SVDC[4:0] bits = 0x0a	2.44	2.50	2.56	V
		SVD2_nCTL.SVDC[4:0] bits = 0x0b	2.54	2.60	2.67	V
		SVD2_nCTL.SVDC[4:0] bits = 0x0c	2.63	2.70	2.77	V
		SVD2_nCTL.SVDC[4:0] bits = 0x0d	2.73	2.80	2.87	V
		SVD2_nCTL.SVDC[4:0] bits = 0x0e	2.83	2.90	2.97	V
		SVD2_nCTL.SVDC[4:0] bits = 0x0f	2.93	3.00	3.08	V
		SVD2_nCTL.SVDC[4:0] bits = 0x10	3.02	3.10	3.18	V
		SVD2_nCTL.SVDC[4:0] bits = 0x11	3.12	3.20	3.28	V
		SVD2_nCTL.SVDC[4:0] bits = 0x12	3.22	3.30	3.38	V
		SVD2_nCTL.SVDC[4:0] bits = 0x13	3.32	3.40	3.49	V
SVD2_nCTL.SVDC[4:0] bits = 0x14	3.41	3.50	3.59	V		
SVD2_nCTL.SVDC[4:0] bits = 0x15	3.51	3.60	3.69	V		
SVD2_nCTL.SVDC[4:0] bits = 0x16	3.61	3.70	3.79	V		
SVD2_nCTL.SVDC[4:0] bits = 0x17	3.71	3.80	3.90	V		
SVD2_nCTL.SVDC[4:0] bits = 0x18	3.80	3.90	4.00	V		
SVD2_nCTL.SVDC[4:0] bits = 0x19	3.90	4.00	4.10	V		
SVD2_nCTL.SVDC[4:0] bits = 0x1a	3.95	4.05	4.15	V		
SVD2_nCTL.SVDC[4:0] bits = 0x1b	4.00	4.10	4.20	V		
SVD2_nCTL.SVDC[4:0] bits = 0x1c	4.05	4.15	4.25	V		
SVD2_nCTL.SVDC[4:0] bits = 0x1d	4.10	4.20	4.31	V		
SVD2_nCTL.SVDC[4:0] bits = 0x1e	4.14	4.25	4.36	V		
SVD2_nCTL.SVDC[4:0] bits = 0x1f	4.19	4.30	4.41	V		
SVD circuit enable response time	t _{SVDEN}	*1	–	–	500	μs
SVD circuit response time	t _{SVDR}		–	–	60	μs
SVD circuit current	I _{SVDR}	SVD2_nCTL.SVDMMD[1:0] bits = 0x0, SVD2_nCTL.SVDC[4:0] bits = 0x02, CLK_SVD2_n = 32 kHz, Ta = 25 °C	–	13	35	μA
		SVD2_nCTL.SVDMMD[1:0] bits = 0x1, SVD2_nCTL.SVDC[4:0] bits = 0x02, CLK_SVD2_n = 32 kHz, Ta = 25 °C	–	2.3	3.9	μA
		SVD2_nCTL.SVDMMD[1:0] bits = 0x2, SVD2_nCTL.SVDC[4:0] bits = 0x02, CLK_SVD2_n = 32 kHz, Ta = 25 °C	–	1.2	2.1	μA
		SVD2_nCTL.SVDMMD[1:0] bits = 0x3, SVD2_nCTL.SVDC[4:0] bits = 0x02, CLK_SVD2_n = 32 kHz, Ta = 25 °C	–	0.6	1.1	μA

*1 If CLK_SVD2_n is configured in the neighborhood of 32 kHz, the SVD2_nINTF.SVDDT bit is masked during the t_{SVDEN} period and it retains the previous value.



SVD circuit current - power supply voltage characteristic

Ta = 25 °C, SVD2_nCTL.SVDC[4:0] bits = 0x02, CLK_SVD2_n = 32 kHz, Typ. value

**23.9 UART (UART2) Characteristics**

Unless otherwise specified: VDD = 1.8 to 3.6 V, VSS = 0 V, Ta = -40 to 85 °C

Item	Symbol	Condition	Min.	Typ.	Max.	Unit
Transfer baud rate	UBRT1	Normal mode	150	–	460,800	bps
	UBRT2	IrDA mode	150	–	115,200	bps

23.10 Synchronous Serial Interface (SPIA) Characteristics

Unless otherwise specified: Master mode, VSS = 0 V, Ta = -40 to 85 °C

Item	Symbol	Condition	VDD	Vb1 output	Min.	Typ.	Max.	單位
SPICLK _n cycle time	tscyc		3.0 to 3.6 V	mode0	100	–	–	ns
			1.8 to 3.0 V	mode0	120	–	–	ns
			1.8 to 3.6 V	mode1	480	–	–	ns
SPICLK _n High pulse width	tsckh		3.0 to 3.6 V	mode0	40	–	–	ns
			1.8 to 3.0 V	mode0	48	–	–	ns
			1.8 to 3.6 V	mode1	190	–	–	ns
SPICLK _n Low pulse width	tsckl		3.0 to 3.6 V	mode0	40	–	–	ns
			1.8 to 3.0 V	mode0	48	–	–	ns
			1.8 to 3.6 V	mode1	190	–	–	ns
SDIn setup time	tsds		3.0 to 3.6 V	mode0	30	–	–	ns
			1.8 to 3.0 V	mode0	40	–	–	ns
			1.8 to 3.6 V	mode1	120	–	–	ns
SDIn hold time	tsbh		3.0 to 3.6 V	mode0	10	–	–	ns
			1.8 to 3.0 V	mode0	10	–	–	ns
			1.8 to 3.6 V	mode1	40	–	–	ns
SDOn output delay time	tsdo	CL = 15 pF *1	3.0 to 3.6 V	mode0	–	–	20	ns
			1.8 to 3.0 V	mode0	–	–	20	ns
			1.8 to 3.6 V	mode1	–	–	80	ns

*1 CL = Pin load

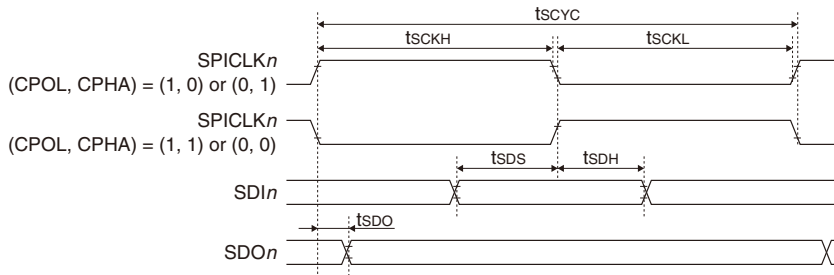
23 ELECTRICAL CHARACTERISTICS

Unless otherwise specified: Slave mode, $V_{SS} = 0\text{ V}$, $T_a = -40\text{ to }85\text{ }^\circ\text{C}$

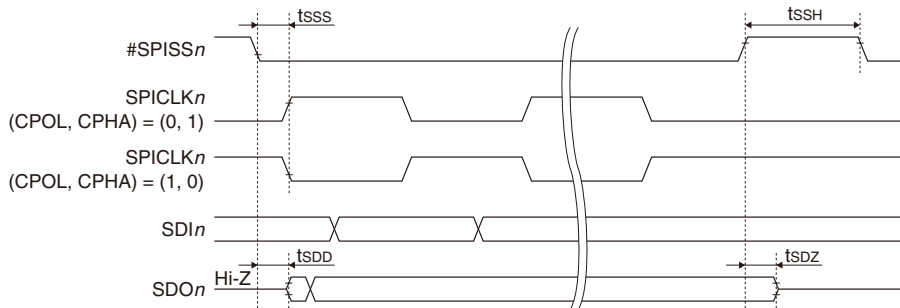
Item	Symbol	Condition	V_{DD}	V_{D1} output	Min.	Typ.	Max.	単位
SPICLK $_n$ cycle time	t _{SCYC}		3.0 to 3.6 V	mode0	100	–	–	ns
			1.8 to 3.0 V	mode0	150	–	–	ns
			1.8 to 3.6 V	mode1	480	–	–	ns
SPICLK $_n$ High pulse width	t _{SCKH}		3.0 to 3.6 V	mode0	40	–	–	ns
			1.8 to 3.0 V	mode0	60	–	–	ns
			1.8 to 3.6 V	mode1	190	–	–	ns
SPICLK $_n$ Low pulse width	t _{SCKL}		3.0 to 3.6 V	mode0	40	–	–	ns
			1.8 to 3.0 V	mode0	60	–	–	ns
			1.8 to 3.6 V	mode1	190	–	–	ns
SDIn setup time	t _{SDS}		3.0 to 3.6 V	mode0	10	–	–	ns
			1.8 to 3.0 V	mode0	10	–	–	ns
			1.8 to 3.6 V	mode1	40	–	–	ns
SDIn hold time	t _{SDH}		3.0 to 3.6 V	mode0	10	–	–	ns
			1.8 to 3.0 V	mode0	10	–	–	ns
			1.8 to 3.6 V	mode1	50	–	–	ns
SDOn output delay time	t _{SDO}	C _L = 15 pF *1	3.0 to 3.6 V	mode0	–	–	42	ns
			1.8 to 3.0 V	mode0	–	–	52	ns
			1.8 to 3.6 V	mode1	–	–	170	ns
#SPISS $_n$ setup time	t _{SSS}		3.0 to 3.6 V	mode0	10	–	–	ns
			1.8 to 3.0 V	mode0	10	–	–	ns
			1.8 to 3.6 V	mode1	40	–	–	ns
#SPISS $_n$ High pulse width	t _{SSH}		3.0 to 3.6 V	mode0	40	–	–	ns
			1.8 to 3.0 V	mode0	60	–	–	ns
			1.8 to 3.6 V	mode1	190	–	–	ns
SDOn output start time	t _{SDD}	C _L = 15 pF *1	3.0 to 3.6 V	mode0	–	–	50	ns
			1.8 to 3.0 V	mode0	–	–	60	ns
			1.8 to 3.6 V	mode1	–	–	180	ns
SDOn output stop time	t _{SDZ}	C _L = 15 pF *1	3.0 to 3.6 V	mode0	–	–	50	ns
			1.8 to 3.0 V	mode0	–	–	60	ns
			1.8 to 3.6 V	mode1	–	–	180	ns

*1 C_L = Pin load

Master and slave modes



Slave mode



23.11 Quad Synchronous Serial Interface (QSPI) Characteristics

Unless otherwise specified: Master mode, $V_{SS} = 0\text{ V}$, $T_a = -40\text{ to }85\text{ }^\circ\text{C}$

Item	Symbol	Condition	V _{DD}	V _{D1} output	Min.	Typ.	Max.	單位
QSPICLK _n cycle time	t _{scyc}		3.0 to 3.6 V	mode0	100	–	–	ns
			1.8 to 3.0 V	mode0	120	–	–	ns
			1.8 to 3.6 V	mode1	480	–	–	ns
QSPICLK _n High pulse width	t _{sckH}		3.0 to 3.6 V	mode0	40	–	–	ns
			1.8 to 3.0 V	mode0	48	–	–	ns
			1.8 to 3.6 V	mode1	190	–	–	ns
QSPICLK _n Low pulse width	t _{sckL}		3.0 to 3.6 V	mode0	40	–	–	ns
			1.8 to 3.0 V	mode0	48	–	–	ns
			1.8 to 3.6 V	mode1	190	–	–	ns
QSDIO _n [3:0] setup time	t _{sds}		3.0 to 3.6 V	mode0	30	–	–	ns
			1.8 to 3.0 V	mode0	40	–	–	ns
			1.8 to 3.6 V	mode1	210	–	–	ns
QSDIO _n [3:0] hold time	t _{sdH}		3.0 to 3.6 V	mode0	10	–	–	ns
			1.8 to 3.0 V	mode0	10	–	–	ns
			1.8 to 3.6 V	mode1	40	–	–	ns
QSDIO _n [3:0] output delay time	t _{sdo}	C _L = 15 pF *1	3.0 to 3.6 V	mode0	–	–	20	ns
			1.8 to 3.0 V	mode0	–	–	20	ns
			1.8 to 3.6 V	mode1	–	–	80	ns

*1 C_L = Pin load

Unless otherwise specified: Slave mode, $V_{SS} = 0\text{ V}$, $T_a = -40\text{ to }85\text{ }^\circ\text{C}$

Item	Symbol	Condition	V _{DD}	V _{D1} output	Min.	Typ.	Max.	單位
QSPICLK _n cycle time	t _{scyc}		3.0 to 3.6 V	mode0	120	–	–	ns
			1.8 to 3.0 V	mode0	160	–	–	ns
			1.8 to 3.6 V	mode1	480	–	–	ns
QSPICLK _n High pulse width	t _{sckH}		3.0 to 3.6 V	mode0	48	–	–	ns
			1.8 to 3.0 V	mode0	64	–	–	ns
			1.8 to 3.6 V	mode1	190	–	–	ns
QSPICLK _n Low pulse width	t _{sckL}		3.0 to 3.6 V	mode0	48	–	–	ns
			1.8 to 3.0 V	mode0	64	–	–	ns
			1.8 to 3.6 V	mode1	190	–	–	ns
QSDIO _n [3:0] setup time	t _{sds}		3.0 to 3.6 V	mode0	10	–	–	ns
			1.8 to 3.0 V	mode0	10	–	–	ns
			1.8 to 3.6 V	mode1	40	–	–	ns
QSDIO _n [3:0] hold time	t _{sdH}		3.0 to 3.6 V	mode0	10	–	–	ns
			1.8 to 3.0 V	mode0	50	–	–	ns
			1.8 to 3.6 V	mode1	60	–	–	ns
QSDIO _n [3:0] output delay time	t _{sdo}	C _L = 15 pF *1	3.0 to 3.6 V	mode0	–	–	48	ns
			1.8 to 3.0 V	mode0	–	–	56	ns
			1.8 to 3.6 V	mode1	–	–	180	ns
#QSPISS _n setup time	t _{sss}		3.0 to 3.6 V	mode0	10	–	–	ns
			1.8 to 3.0 V	mode0	10	–	–	ns
			1.8 to 3.6 V	mode1	40	–	–	ns
#QSPISS _n High pulse width	t _{ssh}		3.0 to 3.6 V	mode0	48	–	–	ns
			1.8 to 3.0 V	mode0	60	–	–	ns
			1.8 to 3.6 V	mode1	190	–	–	ns
QSDIO _n [3:0] output start time	t _{sdd}	C _L = 15 pF *1	3.0 to 3.6 V	mode0	–	–	50	ns
			1.8 to 3.0 V	mode0	–	–	60	ns
			1.8 to 3.6 V	mode1	–	–	190	ns
QSDIO _n [3:0] output stop time	t _{sdz}	C _L = 15 pF *1	3.0 to 3.6 V	mode0	–	–	50	ns
			1.8 to 3.0 V	mode0	–	–	60	ns
			1.8 to 3.6 V	mode1	–	–	190	ns

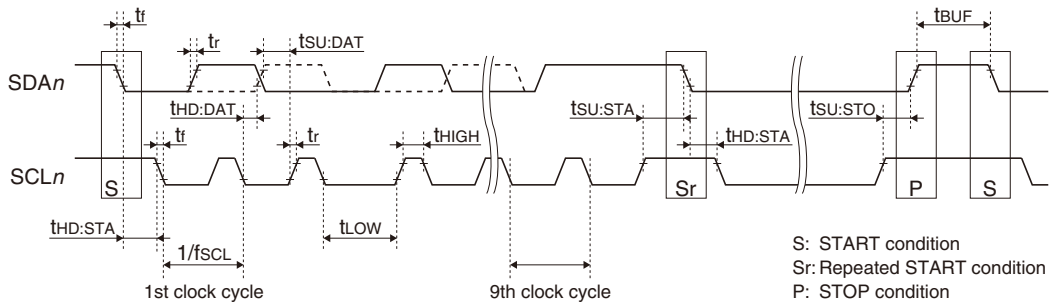
*1 C_L = Pin load

23.12 I²C (I2C) Characteristics

Unless otherwise specified: V_{DD} = 1.8 to 3.6 V, V_{SS} = 0 V, T_a = -40 to 85 °C

Item	Symbol	Condition	Standard mode			Fast mode			Unit
			Min.	Typ.	Max.	Min.	Typ.	Max.	
SCL _n frequency	f _{SCL}		0	–	100	0	–	400	kHz
Hold time (repeated) START condition *	t _{HD:STA}		4.0	–	–	0.6	–	–	μs
SCL _n Low pulse width	t _{LOW}		4.7	–	–	1.3	–	–	μs
SCL _n High pulse width	t _{HIGH}		4.0	–	–	0.6	–	–	μs
Repeated START condition setup time	t _{SU:STA}		4.7	–	–	0.6	–	–	μs
Data hold time	t _{HD:DAT}		0	–	–	0	–	–	μs
Data setup time	t _{SU:DAT}		250	–	–	100	–	–	ns
SDA _n , SCL _n rise time	t _r		–	–	1,000	–	–	300	ns
SDA _n , SCL _n fall time	t _f		–	–	300	–	–	300	ns
STOP condition setup time	t _{SU:STO}		4.0	–	–	0.6	–	–	μs
Bus free time	t _{BUF}		4.7	–	–	1.3	–	–	μs

* After this period, the first clock pulse is generated.



23.13 LCD Driver (LCD32B) Characteristics

The LCD driver characteristics varies depending on the panel load (panel size, drive duty, number of display pixels and display contents), so evaluate them by connecting to the actually used LCD panel.

Unless otherwise specified: V_{DD} = 2.5 to 3.6 V, V_{SS} = 0 V, T_a = 25 °C, LCD32BTIM2.BSTC[1:0] bits = 0x1 (Voltage booster clock = 2 kHz), No panel load

Item	Symbol	Condition	Min.	Typ.	Max.	Unit	
LCD drive voltage (1/5 bias) LCD32BPWR.BIASSEL bit = 0	Vc1	Connect 1 MΩ load resistor between V _{SS} and Vc1	0.18 × V _{C5} (Typ.)	–	0.22 × V _{C5} (Typ.)	V	
	Vc2	Connect 1 MΩ load resistor between V _{SS} and Vc2	0.38 × V _{C5} (Typ.)	–	0.42 × V _{C5} (Typ.)	V	
	Vc3	Connect 1 MΩ load resistor between V _{SS} and Vc3	0.58 × V _{C5} (Typ.)	–	0.62 × V _{C5} (Typ.)	V	
	Vc4	Connect 1 MΩ load resistor between V _{SS} and Vc4	0.77 × V _{C5} (Typ.)	–	0.81 × V _{C5} (Typ.)	V	
	Vc5	Connect 1 MΩ load resistor between V _{SS} and Vc5	LCD32BPWR.LC[3:0] bits = 0x0	4.39	4.62	4.85	V
			LCD32BPWR.LC[3:0] bits = 0x1	4.47	4.70	4.94	V
			LCD32BPWR.LC[3:0] bits = 0x2	4.53	4.77	5.01	V
			LCD32BPWR.LC[3:0] bits = 0x3	4.61	4.85	5.09	V
			LCD32BPWR.LC[3:0] bits = 0x4	4.68	4.93	5.18	V
			LCD32BPWR.LC[3:0] bits = 0x5	4.76	5.01	5.26	V
			LCD32BPWR.LC[3:0] bits = 0x6	4.84	5.09	5.34	V
			LCD32BPWR.LC[3:0] bits = 0x7	4.91	5.17	5.43	V
			LCD32BPWR.LC[3:0] bits = 0x8	4.99	5.25	5.51	V
			LCD32BPWR.LC[3:0] bits = 0x9	5.06	5.33	5.60	V
			LCD32BPWR.LC[3:0] bits = 0xa	5.14	5.41	5.68	V
LCD32BPWR.LC[3:0] bits = 0xb	5.22	5.49	5.76	V			
LCD32BPWR.LC[3:0] bits = 0xc	5.28	5.56	5.84	V			
LCD32BPWR.LC[3:0] bits = 0xd	5.36	5.64	5.92	V			
LCD32BPWR.LC[3:0] bits = 0xe	5.43	5.72	6.01	V			
LCD32BPWR.LC[3:0] bits = 0xf	5.51	5.80	6.09	V			

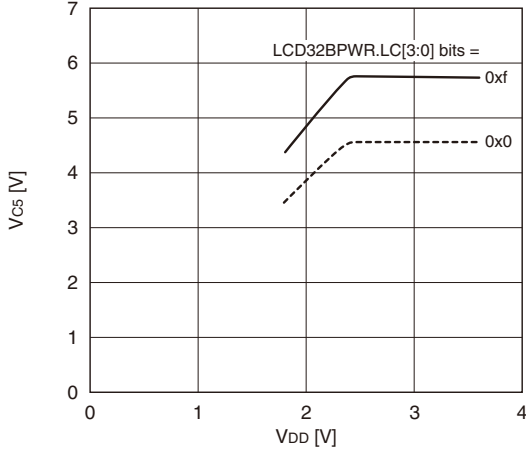
Item	Symbol	Condition	Min.	Typ.	Max.	Unit	
LCD drive voltage (1/4 bias) LCD32BPWR.BIASSEL bit = 1	VC1	Connect 1 MΩ load resistor between Vss and VC1	0.23 × Vc4 (Typ.)	–	0.27 × Vc4 (Typ.)	V	
	VC2	Connect 1 MΩ load resistor between Vss and VC2	0.48 × Vc4 (Typ.)	–	0.52 × Vc4 (Typ.)	V	
	VC3	Connect 1 MΩ load resistor between Vss and VC3	0.74 × Vc4 (Typ.)	–	0.78 × Vc4 (Typ.)	V	
	VC4	Connect 1 MΩ load resistor between Vss and VC4	LCD32BPWR.LC[3:0] bits = 0x0	3.47	3.65	3.83	V
			LCD32BPWR.LC[3:0] bits = 0x1	3.52	3.71	3.90	V
			LCD32BPWR.LC[3:0] bits = 0x2	3.58	3.77	3.96	V
			LCD32BPWR.LC[3:0] bits = 0x3	3.64	3.83	4.02	V
			LCD32BPWR.LC[3:0] bits = 0x4	3.71	3.90	4.10	V
			LCD32BPWR.LC[3:0] bits = 0x5	3.76	3.96	4.16	V
			LCD32BPWR.LC[3:0] bits = 0x6	3.82	4.02	4.22	V
			LCD32BPWR.LC[3:0] bits = 0x7	3.88	4.08	4.28	V
			LCD32BPWR.LC[3:0] bits = 0x8	3.94	4.15	4.36	V
			LCD32BPWR.LC[3:0] bits = 0x9	4.00	4.21	4.42	V
	LCD32BPWR.LC[3:0] bits = 0xa	4.06	4.27	4.48	V		
LCD32BPWR.LC[3:0] bits = 0xb	4.11	4.33	4.55	V			
LCD32BPWR.LC[3:0] bits = 0xc	4.18	4.40	4.62	V			
LCD32BPWR.LC[3:0] bits = 0xd	4.24	4.46	4.68	V			
LCD32BPWR.LC[3:0] bits = 0xe	4.29	4.52	4.75	V			
LCD32BPWR.LC[3:0] bits = 0xf	4.35	4.58	4.81	V			
Segment/Common output current	I _{SEGH}	SEG0–87, COM0–31, V _{SEGH} = V _{C5} /V _{C4} /V _{C3} /V _{C2} /V _{C1} - 0.1 V, Ta = -40 to 85 °C	–	–	-10	μA	
	I _{SEGL}	SEG0–87, COM0–31, V _{SEGL} = V _{C5} /V _{C4} /V _{SS} /V _{C2} /V _{C1} + 0.1 V, Ta = -40 to 85 °C	10	–	–	μA	
LCD circuit current (1/5 bias)	I _{LCD}	LCD32BDSP.DSPC[1:0] bits = 0x1 (checker pattern), LCD32BPWR.BIASSEL bit = 0 *1 *2	–	6	17	μA	
		LCD32BDSP.DSPC[1:0] bits = 0x2 (all on), LCD32BPWR.BIASSEL bit = 0 *1 *2	–	2.1	6	μA	
LCD circuit current (1/4 bias)	I _{LCD}	LCD32BDSP.DSPC[1:0] bits = 0x1 (checker pattern), LCD32BPWR.BIASSEL bit = 1 *1 *2	–	4.6	13	μA	
		LCD32BDSP.DSPC[1:0] bits = 0x2 (all on), LCD32BPWR.BIASSEL bit = 1 *1 *2	–	1.3	3.5	μA	
LCD circuit current in heavy load protection mode (1/5 bias)	I _{LCDH}	LCD32BDSP.DSPC[1:0] bits = 0x2 (all on), LCD32BPWR.BIASSEL bit = 0, LCD32BPWR.HVLD bits = 1 *1 *2	–	13	42	μA	
LCD circuit current in heavy load protection mode (1/4 bias)	I _{LCDH}	LCD32BDSP.DSPC[1:0] bits = 0x2 (all on), LCD32BPWR.BIASSEL bit = 1, LCD32BPWR.HVLD bits = 1 *1 *2	–	12	41	μA	

*1 Other LCD driver settings: LCD32BPWR.LC[3:0] bits = 0xf, CLK_LCD32B = 32 kHz, LCD32BTIM1.FRMCNT[4:0] bits = 0x01 (frame frequency = 64 Hz)

*2 The value is added to the current consumption in HALT/RUN mode. Current consumption increases according to the display contents and panel load.

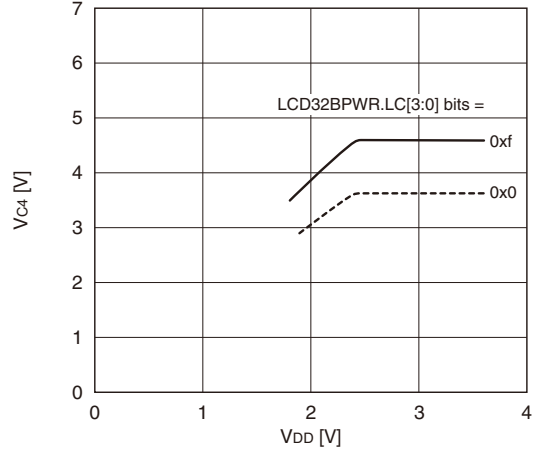
LCD drive voltage-supply voltage characteristic (1/5 bias)

Ta = 25 °C, Typ. value, when a 1 MΩ load resistor is connected between Vss and Vc5 (no panel load)



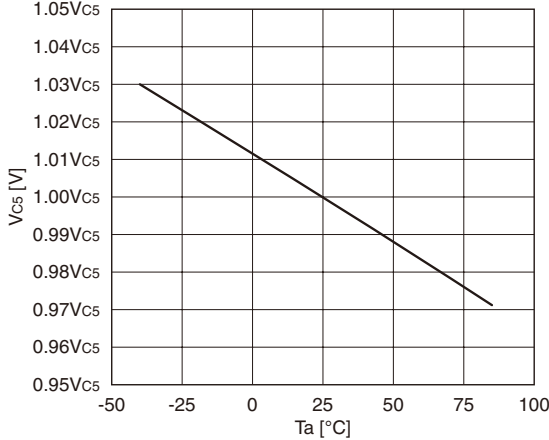
LCD drive voltage-supply voltage characteristic (1/4 bias)

Ta = 25 °C, Typ. value, when a 1 MΩ load resistor is connected between Vss and Vc4 (no panel load)



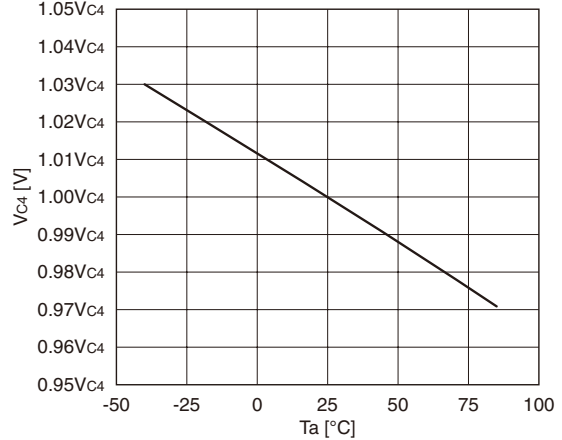
LCD drive voltage-temperature characteristic (1/5 bias)

Typ. value,



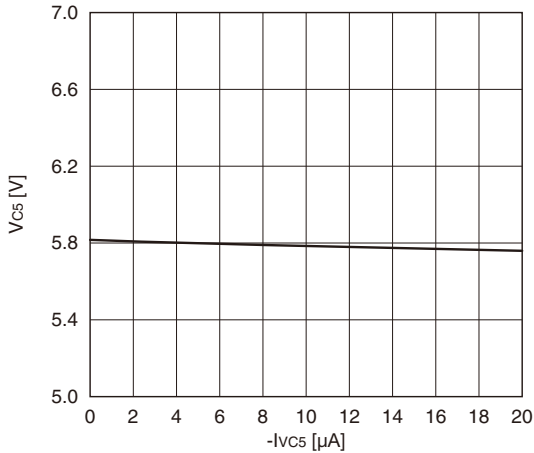
LCD drive voltage-temperature characteristic (1/4 bias)

Typ. value



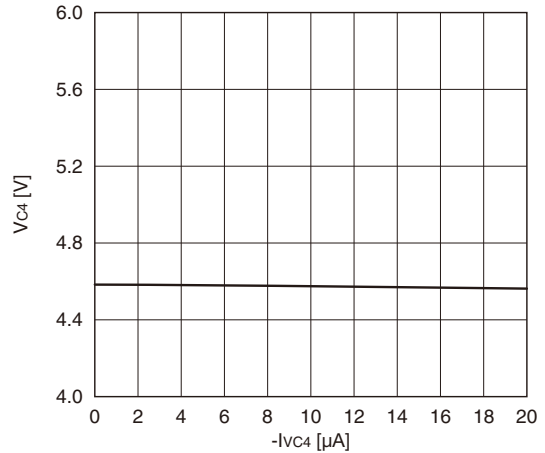
LCD drive voltage-load characteristic (1/5 bias)

Ta = 25 °C, Typ. value, LCD32BPWR.LC[3:0] bits = 0xf, when a load is connected to the Vc5 pin only



LCD drive voltage-load characteristic (1/4 bias)

Ta = 25 °C, Typ. value, LCD32BPWR.LC[3:0] bits = 0xf, when a load is connected to the Vc4 pin only



23.14 R/F Converter (RFC) Characteristics

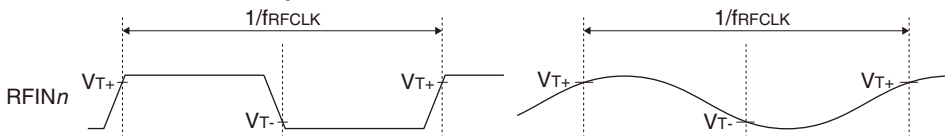
R/F converter characteristics change depending on conditions (board pattern, components used, etc.). Use these characteristic values as a reference and perform evaluation using the actual printed circuit board.

Unless otherwise specified: $V_{DD} = 1.8$ to 3.6 V, $V_{SS} = 0$ V, $T_a = -40$ to 85 °C

Item	Symbol	Condition	Min.	Typ.	Max.	Unit
Reference/sensor oscillation frequency	f_{RFCLK}		1	–	1,000	kHz
Reference/sensor oscillation frequency IC deviation	$\Delta f_{RFCLK}/\Delta IC$	$T_a = 25$ °C *1	-40	–	40	%
Reference resistor/resistive sensor resistance	R_{REF}, R_{SEN}		10	–	–	k Ω
Reference capacitance	C_{REF}		100	–	–	pF
Time base counter clock frequency	f_{TCCLK}		–	–	4.2	MHz
High level Schmitt input threshold voltage	V_{T+}		$0.5 \times V_{DD}$	–	$0.8 \times V_{DD}$	V
Low level Schmitt input threshold voltage	V_{T-}		$0.2 \times V_{DD}$	–	$0.5 \times V_{DD}$	V
Schmitt input hysteresis voltage	ΔV_T		120	–	–	mV
R/F converter operating current	I_{RFC}	$C_{REF} = 1,000$ pF, $R_{REF}/R_{SEN} = 100$ k Ω , $T_a = 25$ °C, $V_{DD} = 3.6$ V	–	200	350	μ A

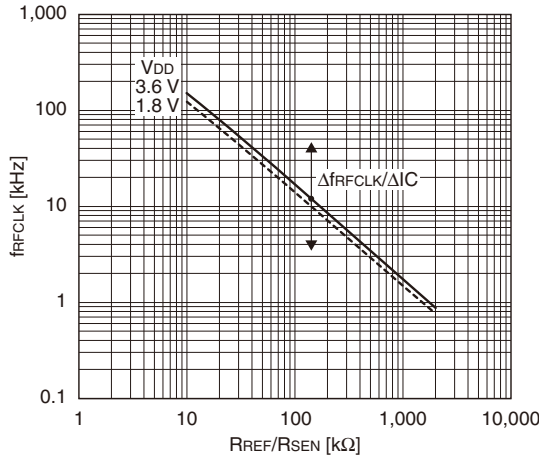
*1 In this characteristic, unevenness between production lots, and variations in measurement board, resistances and capacitances are taken into account.

Waveforms for external clock input mode



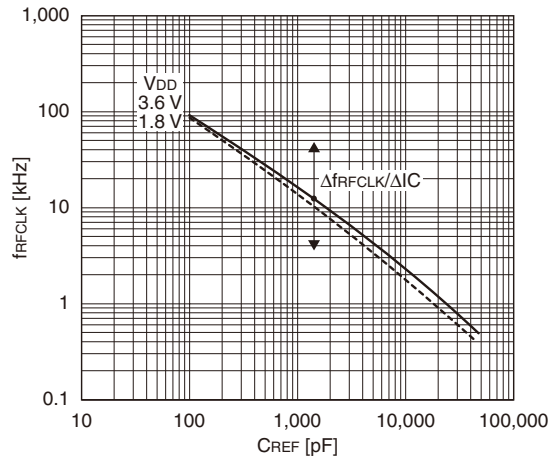
RFC reference/sensor oscillation frequency-resistance characteristic

$C_{REF} = 1,000$ pF, $T_a = 25$ °C, Typ. value



RFC reference/sensor oscillation frequency-capacitance characteristic

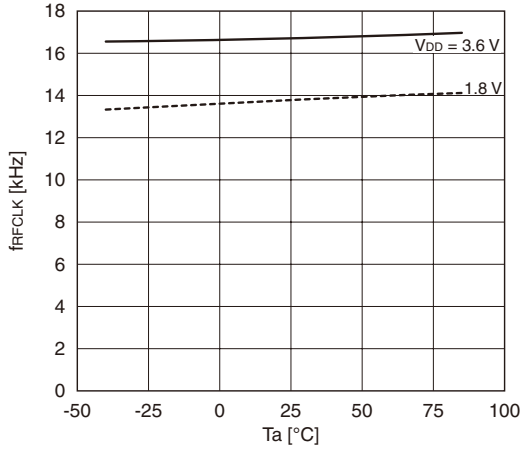
$R_{REF}/R_{SEN} = 100$ k Ω , $T_a = 25$ °C, Typ. value



23 ELECTRICAL CHARACTERISTICS

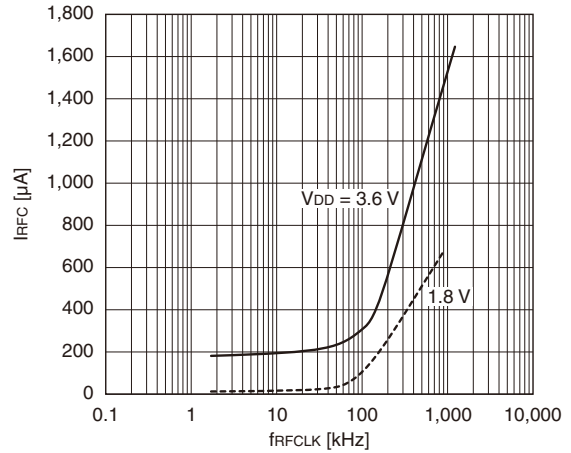
RFC reference/sensor oscillation frequency-temperature characteristic

$R_{REF}/R_{SEN} = 100 \text{ k}\Omega$, $C_{REF} = 1,000 \text{ pF}$, Typ. value



RFC reference/sensor oscillation current consumption-frequency characteristic

$C_{REF} = 1,000 \text{ pF}$, $T_a = 25 \text{ }^\circ\text{C}$, Typ. value



23.15 USB 2.0 FS Device Controller (USB) Characteristics

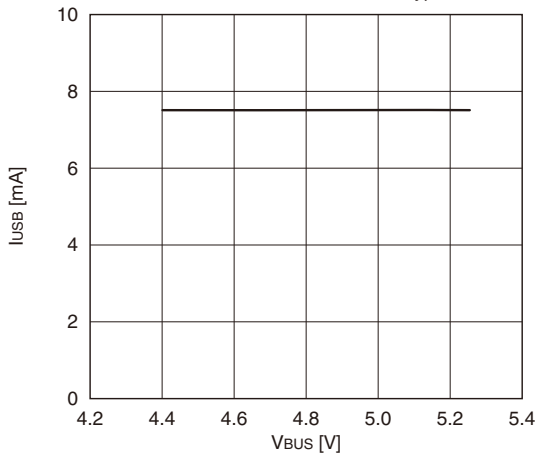
Unless otherwise specified: $V_{DD} = 1.8 \text{ to } 3.6 \text{ V}$, $V_{BUS} = 4.4 \text{ to } 5.25 \text{ V}$, $V_{SS} = 0 \text{ V}$, $T_a = -40 \text{ to } 85 \text{ }^\circ\text{C}$

Item	Symbol	Condition	Min.	Typ.	Max.	Unit
High level Schmitt input trigger voltage	$V_{T+(USB)}$		-	-	2.00	V
Low level Schmitt input trigger voltage	$V_{T-(USB)}$		0.80	-	-	V
Differential input sensitivity	V_{DSU}	Common voltage = 0.8 to 2.5 V	0.20	-	-	V
Pull-up resistance	R_{PLUU}	$V_i = V_{SS}$	1.425	-	1.575	k Ω
High level output resistance	R_{OHUF}		40.5	-	49.5	Ω
Low level output resistance	R_{OLUF}		40.5	-	49.5	Ω
Input/output pin capacitance	C_{BU}	$f = 1 \text{ MHz}$	-	-	15	pF
PLL lock-up time	t_{LOCK}		-	-	3	ms
1.8 V/3.3 V regulator output stabilization time	t_{REGOUT}	$C_{USB1-2} = 1 \text{ }\mu\text{F}$, load current = 1 mA	-	500	1,000	μs
USB circuit current	I_{USB}	USBMISCCTL.USBCLKSEL bit = 0, $T_a = 25 \text{ }^\circ\text{C}^{*1}$	-	7.5	18	mA

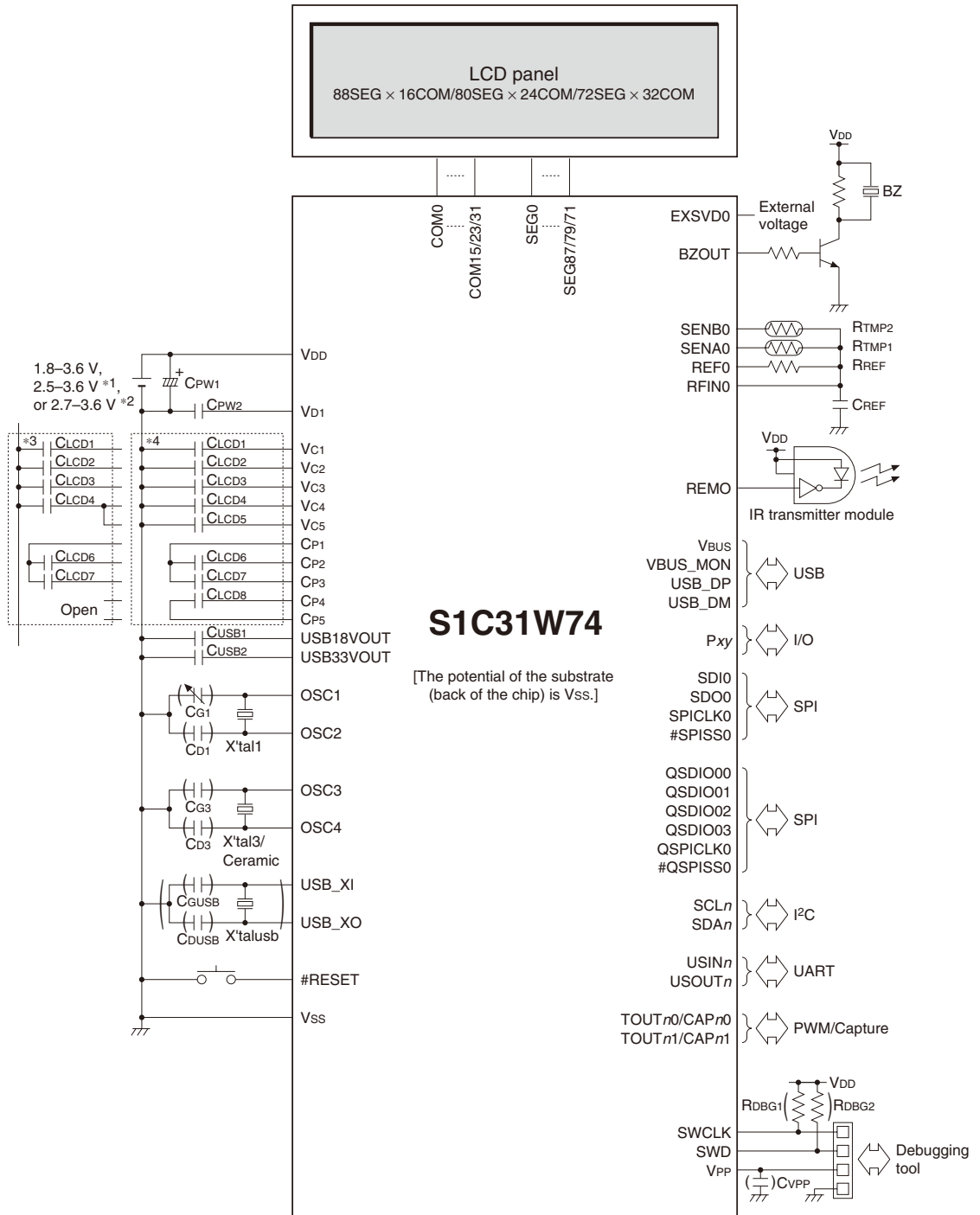
*1 Current flowing through the V_{BUS} pin in HID device class (1 transfer per ms)

USB circuit current- V_{BUS} voltage characteristic

USBMISCCTL.USBCLKSEL bit = 0, $T_a = 25 \text{ }^\circ\text{C}$, Typ. value



24 Basic External Connection Diagram



*1: When the LCD driver is used
 *2: For Flash programming (when VPP is generated internally)
 *3: When 1/4 bias is selected
 *4: When 1/5 bias is selected
 (): Do not mount components if unnecessary.

Sample external components

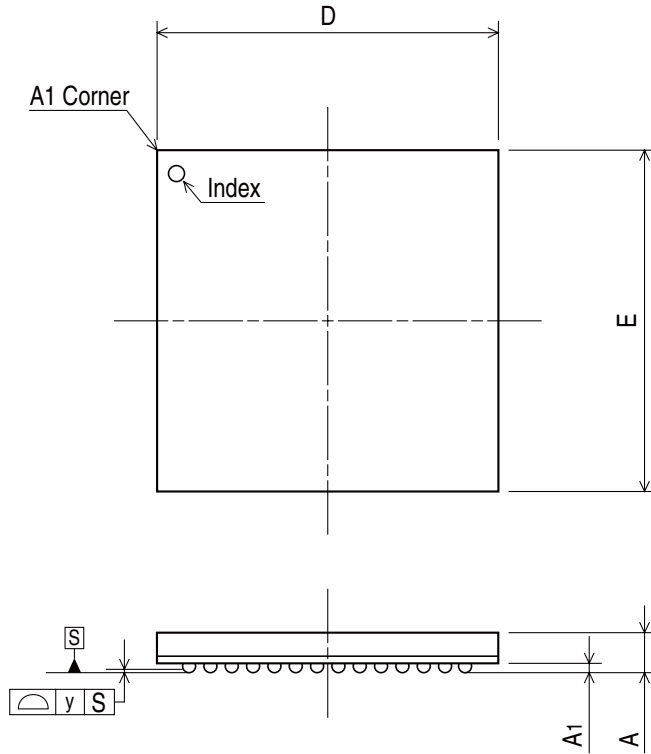
Symbol	Name	Recommended components
X'tal1	32 kHz crystal resonator	C-002RX (R ₁ = 50 kΩ (Max.), C _L = 7 pF) manufactured by Seiko Epson Corporation
C _{G1}	OSC1 gate capacitor	Trimmer capacitor or ceramic capacitor
C _{D1}	OSC1 drain capacitor	Ceramic capacitor
X'tal3	Crystal resonator	CA-301 (4 MHz) manufactured by Seiko Epson Corporation
Ceramic	Ceramic resonator	CSBLA_J (1 MHz) manufactured by Murata Manufacturing Co., Ltd.
C _{G3}	OSC3 gate capacitor	Ceramic capacitor
C _{D3}	OSC3 drain capacitor	Ceramic capacitor
X'talusb	Crystal resonator	(Performance evaluations should be performed when selecting a crystal resonator.)
C _{GUSB}	USBOSC gate capacitor	Ceramic capacitor
C _{DUSB}	USBOSC drain capacitor	Ceramic capacitor
R _{CR3}	OSC3 oscillating resistor	Thick film chip resistor
C _{PW1}	Bypass capacitor between V _{SS} and V _{DD}	Ceramic capacitor or electrolytic capacitor
C _{PW2}	Capacitors between V _{SS} and V _{D1}	Ceramic capacitor
C _{LCD1-5}	Capacitors between V _{SS} and V _{C1-5}	Ceramic capacitor
C _{LCD6-8}	Capacitors between C _{P1} and C _{P2} , C _{P1} and C _{P3} , C _{P4} and C _{P5}	Ceramic capacitor
C _{USB1-2}	Capacitors between V _{SS} and USB18VOUT, V _{SS} and USB33VOUT	Ceramic capacitor
BZ	Piezoelectric buzzer	PS1240P02 manufactured by TDK Corporation
R _{DBG1-2}	Debug pin pull-up resistor	Thick film chip resistor
R _{REF}	RFC reference resistor	Thick film chip resistor
R _{TMP1, 2}	Resistive sensors	Temperature sensor 103AP-2 manufactured by SEMITEC Corporation Humidity sensor C15-M53R manufactured by SHINYEI Technology Co.,Ltd. (* In AC oscillation mode for resistive sensor measurements)
C _{REF}	RFC reference capacitor	Ceramic capacitor
C _{VPP}	Capacitor between V _{SS} and V _{PP}	Ceramic capacitor

* For recommended component values, refer to “Recommended Operating Conditions” in the “Electrical Characteristics” chapter.

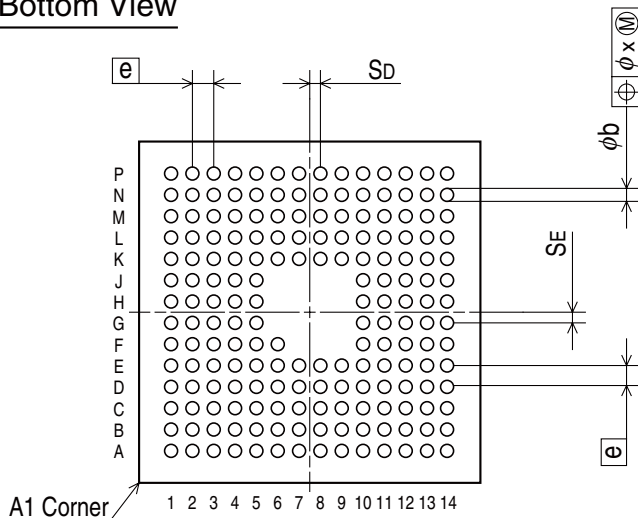
25 Package

VFBGA8H-181 package

Top View



Bottom View



Symbol	Dimension in Millimeters		
	Min.	Nom.	Max.
D	7.90	8.00	8.10
E	7.90	8.00	8.10
A	-	-	1.00
A1	0.18	0.23	0.28
e	-	0.50	-
b	0.26	-	0.36
x	-	-	0.08
y	-	-	0.10
Sd	0.15	0.25	0.35
SE	0.15	0.25	0.35

Figure 25.1 VFBGA8H-181 Package Dimensions

Appendix A List of Peripheral Circuit Control Registers

0x4000 0000			System Register (SYS)				
Address	Register name	Bit	Bit name	Initial	Reset	R/W	Remarks
0x4000 0000	SYSPROT (System Protect Register)	15-0	PROT[15:0]	0x0000	H0	R/W	-
0x4000 0020			Power Generator (PWGA)				
Address	Register name	Bit	Bit name	Initial	Reset	R/W	Remarks
0x4000 0020	PWGACTL (PWGA Control Register)	15-8	-	0x00	-	R	-
		7-6	-	0x0	-	R	
		5	REGDIS	0	H0	R/WP	
		4	REGSEL	1	H0	R/WP	
		3-2	-	0x0	-	R	
		1-0	REGMODE[1:0]	0x0	H0	R/WP	
0x4000 0040-0x4000 0050			Clock Generator (CLG)				
Address	Register name	Bit	Bit name	Initial	Reset	R/W	Remarks
0x4000 0040	CLGSCLK (CLG System Clock Control Register)	15	WUPMD	0	H0	R/WP	-
		14	-	0	-	R	
		13-12	WUPDIV[1:0]	0x0	H0	R/WP	
		11-10	-	0x0	-	R	
		9-8	WUPSRC[1:0]	0x0	H0	R/WP	
		7-6	-	0x0	-	R	
		5-4	CLKDIV[1:0]	0x0	H0	R/WP	
		3-2	-	0x0	-	R	
1-0	CLKSRC[1:0]	0x0	H0	R/WP			
0x4000 0042	CLGOSC (CLG Oscillation Control Register)	15-12	-	0x0	-	R	-
		11	EXOSCSLPC	1	H0	R/W	
		10	OSC3SLPC	1	H0	R/W	
		9	OSC1SLPC	1	H0	R/W	
		8	IOSCSLPC	1	H0	R/W	
		7-4	-	0x0	-	R	
		3	EXOSCEN	0	H0	R/W	
		2	OSC3EN	0	H0	R/W	
		1	OSC1EN	0	H0	R/W	
0	IOSCEN	1	H0	R/W			
0x4000 0044	CLGIOSC (CLG IOSC Control Register)	15-8	-	0x00	-	R	-
		7-5	-	0x0	-	R	
		4	IOSCSTM	0	H0	R/WP	
		3	-	0	-	R	
2-0	IOSCFQ[2:0]	0x4	H0	R/WP			
0x4000 0046	CLGOSC1 (CLG OSC1 Control Register)	15	-	0	-	R	-
		14	OSDRB	1	H0	R/WP	
		13	OSDEN	0	H0	R/WP	
		12	OSC1BUP	1	H0	R/WP	
		11	-	0	-	R	
		10-8	CGI1[2:0]	0x0	H0	R/WP	
		7-6	INV1B[1:0]	0x2	H0	R/WP	
		5-4	INV1N[1:0]	0x1	H0	R/WP	
		3-2	-	0x0	-	R	
1-0	OSC1WT[1:0]	0x2	H0	R/WP			

APPENDIX A LIST OF PERIPHERAL CIRCUIT CONTROL REGISTERS

Address	Register name	Bit	Bit name	Initial	Reset	R/W	Remarks	
0x4000 0048	CLGOSC3 (CLG OSC3 Control Register)	15–8	–	0x00	–	R	–	
		7–6	–	0x0	–	R		
		5–4	OSC3INV[1:0]	0x3	H0	R/WP		
		3	–	0	–	R		
		2–0	OSC3WT[2:0]	0x6	H0	R/WP		
0x4000 004c	CLGINTF (CLG Interrupt Flag Register)	15–9	–	0x00	–	R	–	
		8	IOSCTERIF	0	H0	R/W		Cleared by writing 1.
		7	–	0	–	R		–
		6	(reserved)	0	H0	R		–
		5	OSC1STPIF	0	H0	R/W		Cleared by writing 1.
		4	IOSCTEDIF	0	H0	R/W		–
		3	–	0	–	R		–
		2	OSC3STAIF	0	H0	R/W		Cleared by writing 1.
		1	OSC1STAIF	0	H0	R/W		–
0	IOSCSTAIF	0	H0	R/W	–			
0x4000 004e	CLGINTE (CLG Interrupt Enable Register)	15–9	–	0x00	–	R	–	
		8	IOSCTERIE	0	H0	R/W		
		7	–	0	–	R		
		6	(reserved)	0	H0	R		
		5	OSC1STPIE	0	H0	R/W		
		4	IOSCTEDIE	0	H0	R/W		
		3	–	0	–	R		
		2	OSC3STAIE	0	H0	R/W		
		1	OSC1STAIE	0	H0	R/W		
0	IOSCSTAIE	0	H0	R/W				
0x4000 0050	CLGFOUT (CLG FOUT Control Register)	15–8	–	0x00	–	R	–	
		7	–	0	–	R		
		6–4	FOUTDIV[2:0]	0x0	H0	R/W		
		3–2	FOUTSRC[1:0]	0x0	H0	R/W		
		1	–	0	–	R		
		0	FOUTEN	0	H0	R/W		

0x4000 0080

Cache Controller (CACHE)

Address	Register name	Bit	Bit name	Initial	Reset	R/W	Remarks
0x4000 0080	CACHECTL (CACHE Control Register)	15–8	–	0x00	–	R	–
		7–2	–	0x00	–	R	
		1	–	1	–	R	
		0	CACHEEN	0	H0	R/W	

0x4000 00a0–0x4000 00a4

Watchdog Timer (WDT2)

Address	Register name	Bit	Bit name	Initial	Reset	R/W	Remarks
0x4000 00a0	WDT2CLK (WDT2 Clock Control Register)	15–9	–	0x00	–	R	–
		8	DBRUN	0	H0	R/WP	
		7–6	–	0x0	–	R	
		5–4	CLKDIV[1:0]	0x0	H0	R/WP	
		3–2	–	0x0	–	R	
		1–0	CLKSRC[1:0]	0x0	H0	R/WP	
0x4000 00a2	WDT2CTL (WDT2 Control Register)	15–11	–	0x00	–	R	–
		10–9	MOD[1:0]	0x0	H0	R/WP	
		8	STATNMI	0	H0	R	
		7–5	–	0x0	–	R	
		4	WDTCNTRST	0	H0	WP	
0x4000 00a4	WDT2CMP (WDT2 Counter Compare Match Register)	3–0	WDTRUN[3:0]	0xa	H0	R/WP	–
		15–10	–	0x00	–	R	–
		9–0	CMP[9:0]	0x3ff	H0	R/WP	–

0x4000 00c0–0x4000 00d2

Real-time Clock (RTCA)

Address	Register name	Bit	Bit name	Initial	Reset	R/W	Remarks
0x4000 00c0	RTCACTLL (RTCA Control Register (Low Byte))	7	–	0	–	R	–
		6	RTCBSY	0	H0	R	–
		5	RTCHLD	0	H0	R/W	Cleared by setting the RTCACTLL.RTCRST bit to 1.
		4	RTC24H	0	H0	R/W	–
		3	–	0	–	R	–
		2	RTCADJ	0	H0	R/W	Cleared by setting the RTCACTLL.RTCRST bit to 1.
		1	RTCST	0	H0	R/W	–
0	RTCUN	0	H0	R/W	–		
0x4000 00c1	RTCACTLH (RTCA Control Register (High Byte))	7	RTCTRMBSY	0	H0	R	–
		6–0	RTCTRM[6:0]	0x00	H0	W	Read as 0x00.
0x4000 00c2	RTCAALM1 (RTCA Second Alarm Register)	15	–	0	–	R	–
		14–12	RTCSHA[2:0]	0x0	H0	R/W	–
		11–8	RTCCLA[3:0]	0x0	H0	R/W	–
		7–0	–	0x00	–	R	–
0x4000 00c4	RTCAALM2 (RTCA Hour/Minute Alarm Register)	15	–	0	–	R	–
		14	RTCAPA	0	H0	R/W	–
		13–12	RTCHHA[1:0]	0x0	H0	R/W	–
		11–8	RTCHLA[3:0]	0x0	H0	R/W	–
		7	–	0	–	R	–
		6–4	RTCMIHA[2:0]	0x0	H0	R/W	–
3–0	RTCMILA[3:0]	0x0	H0	R/W	–		
0x4000 00c6	RTCASWCTL (RTCA Stopwatch Control Register)	15–12	BCD10[3:0]	0x0	H0	R	–
		11–8	BCD100[3:0]	0x0	H0	R	–
		7–5	–	0x0	–	R	–
		4	SWRST	0	H0	W	Read as 0.
		3–1	–	0x0	–	R	–
0	SWRUN	0	H0	R/W	–		
0x4000 00c8	RTCASEC (RTCA Second/1Hz Register)	15	–	0	–	R	–
		14–12	RTCSH[2:0]	0x0	H0	R/W	–
		11–8	RTCSL[3:0]	0x0	H0	R/W	–
		7	RTC1HZ	0	H0	R	Cleared by setting the RTCACTLL.RTCRST bit to 1.
		6	RTC2HZ	0	H0	R	–
		5	RTC4HZ	0	H0	R	–
		4	RTC8HZ	0	H0	R	–
		3	RTC16HZ	0	H0	R	–
		2	RTC32HZ	0	H0	R	–
1	RTC64HZ	0	H0	R	–		
0	RTC128HZ	0	H0	R	–		
0x4000 00ca	RTCAHUR (RTCA Hour/Minute Register)	15	–	0	–	R	–
		14	RTCAP	0	H0	R/W	–
		13–12	RTCHH[1:0]	0x1	H0	R/W	–
		11–8	RTCHL[3:0]	0x2	H0	R/W	–
		7	–	0	–	R	–
		6–4	RTCMIH[2:0]	0x0	H0	R/W	–
		3–0	RTCMIL[3:0]	0x0	H0	R/W	–
0x4000 00cc	RTCAMON (RTCA Month/Day Register)	15–13	–	0x0	–	R	–
		12	RTCMOH	0	H0	R/W	–
		11–8	RTCMOL[3:0]	0x1	H0	R/W	–
		7–6	–	0x0	–	R	–
		5–4	RTCDH[1:0]	0x0	H0	R/W	–
3–0	RTCDL[3:0]	0x1	H0	R/W	–		
0x4000 00ce	RTCAYAR (RTCA Year/Week Register)	15–11	–	0x00	–	R	–
		10–8	RTCWK[2:0]	0x0	H0	R/W	–
		7–4	RTCYH[3:0]	0x0	H0	R/W	–
		3–0	RTCYL[3:0]	0x0	H0	R/W	–

APPENDIX A LIST OF PERIPHERAL CIRCUIT CONTROL REGISTERS

Address	Register name	Bit	Bit name	Initial	Reset	R/W	Remarks
0x4000 00d0	RTCAINTF (RTCA Interrupt Flag Register)	15	RTCTRMIF	0	H0	R/W	Cleared by writing 1.
		14	SW1IF	0	H0	R/W	
		13	SW10IF	0	H0	R/W	
		12	SW100IF	0	H0	R/W	
		11-9	-	0x0	-	R	
		8	ALARMIF	0	H0	R/W	Cleared by writing 1.
		7	T1DAYIF	0	H0	R/W	
		6	T1HURIF	0	H0	R/W	
		5	T1MINIF	0	H0	R/W	
		4	T1SECIF	0	H0	R/W	
		3	T1_2SECIF	0	H0	R/W	
		2	T1_4SECIF	0	H0	R/W	
		1	T1_8SECIF	0	H0	R/W	
0	T1_32SECIF	0	H0	R/W			
0x4000 00d2	RTCAINTE (RTCA Interrupt Enable Register)	15	RTCTRMIE	0	H0	R/W	-
		14	SW1IE	0	H0	R/W	
		13	SW10IE	0	H0	R/W	
		12	SW100IE	0	H0	R/W	
		11-9	-	0x0	-	R	
		8	ALARMIE	0	H0	R/W	
		7	T1DAYIE	0	H0	R/W	
		6	T1HURIE	0	H0	R/W	
		5	T1MINIE	0	H0	R/W	
		4	T1SECIE	0	H0	R/W	
		3	T1_2SECIE	0	H0	R/W	
		2	T1_4SECIE	0	H0	R/W	
		1	T1_8SECIE	0	H0	R/W	
0	T1_32SECIE	0	H0	R/W			

0x4000 0100–0x4000 0106
Supply Voltage Detector (SVD2) Ch.0

Address	Register name	Bit	Bit name	Initial	Reset	R/W	Remarks
0x4000 0100	SVD2_0CLK (SVD2 Ch.0 Clock Control Register)	15-9	-	0x00	-	R	-
		8	DBRUN	1	H0	R/WP	
		7	-	0	-	R	
		6-4	CLKDIV[2:0]	0x0	H0	R/WP	
		3-2	-	0x0	-	R	
0x4000 0102	SVD2_0CTL (SVD2 Ch.0 Control Register)	15	VDSEL	0	H1	R/WP	-
		14-13	SVDS[1:0]	0x0	H0	R/WP	Writing takes effect when the SVD2_0CTL.SVDMD[1:0] bits are not 0x0.
		12-8	SVDC[4:0]	0x1e	H1	R/WP	-
		7-4	SVDRE[3:0]	0x0	H1	R/WP	Reset will not be issued when the SVD2_0CTL.SVDF bit = 1.
		3	SVDF	0	H0	R/W	-
		2-1	SVDMD[1:0]	0x0	H0	R/W	-
0x4000 0104	SVD2_0INTF (SVD2 Ch.0 Status and Interrupt Flag Register)	15-9	-	0x00	-	R	-
		8	SVDDT	x	-	R	
		7-1	-	0x00	-	R	
		0	SVDIF	0	H1	R/W	
0x4000 0106	SVD2_0INTE (SVD2 Ch.0 Interrupt Enable Register)	15-8	-	0x00	-	R	-
		7-1	-	0x00	-	R	
		0	SVDIE	0	H0	R/W	

0x4000 0160–0x4000 016c**16-bit Timer (T16) Ch.0**

Address	Register name	Bit	Bit name	Initial	Reset	R/W	Remarks
0x4000 0160	T16_0CLK (T16 Ch.0 Clock Control Register)	15–9	–	0x00	–	R	–
		8	DBRUN	0	H0	R/W	
		7–4	CLKDIV[3:0]	0x0	H0	R/W	
		3–2	–	0x0	–	R	
0x4000 0162	T16_0MOD (T16 Ch.0 Mode Register)	1–0	CLKSRC[1:0]	0x0	H0	R/W	–
		15–8	–	0x00	–	R	
		7–1	–	0x00	–	R	
0x4000 0164	T16_0CTL (T16 Ch.0 Control Register)	0	TRMD	0	H0	R/W	–
		15–9	–	0x00	–	R	
		8	PRUN	0	H0	R/W	
		7–2	–	0x00	–	R	
0x4000 0166	T16_0TR (T16 Ch.0 Reload Data Register)	1	PRESET	0	H0	R/W	–
		0	MODEN	0	H0	R/W	
0x4000 0168	T16_0TC (T16 Ch.0 Counter Data Register)	15–0	TR[15:0]	0xffff	H0	R/W	–
0x4000 016a	T16_0INTF (T16 Ch.0 Interrupt Flag Register)	15–8	–	0x00	–	R	–
		7–1	–	0x00	–	R	
		0	UFIF	0	H0	R/W	
0x4000 016c	T16_0INTE (T16 Ch.0 Interrupt Enable Register)	15–8	–	0x00	–	R	–
		7–1	–	0x00	–	R	
		0	UFIE	0	H0	R/W	

0x4000 01b0**Flash Controller (FLASHC)**

Address	Register name	Bit	Bit name	Initial	Reset	R/W	Remarks
0x4000 01b0	FLASHCWAIT (FLASHC Flash Read Cycle Register)	15–8	–	0x00	–	R	–
		7–2	–	0x00	–	R	
		1–0	RDWAIT[1:0]	0x1	H0	R/WP	

0x4000 0200–0x4000 02e2**I/O Ports (PPORT)**

Address	Register name	Bit	Bit name	Initial	Reset	R/W	Remarks
0x4000 0200	PPORTP0DAT (P0 Port Data Register)	15–8	P0OUT[7:0]	0x00	H0	R/W	–
		7–0	P0IN[7:0]	0x00	H0	R	
0x4000 0202	PPORTP0IOEN (P0 Port Enable Register)	15–8	P0IEN[7:0]	0x00	H0	R/W	–
		7–0	P0OEN[7:0]	0x00	H0	R/W	
0x4000 0204	PPORTP0RCTL (P0 Port Pull-up/down Control Register)	15–8	P0PDPU[7:0]	0x00	H0	R/W	–
		7–0	P0REN[7:0]	0x00	H0	R/W	
0x4000 0206	PPORTPOINTF (P0 Port Interrupt Flag Register)	15–8	–	0x00	–	R	–
		7–0	P0IF[7:0]	0x00	H0	R/W	
0x4000 0208	PPORTPOINTCTL (P0 Port Interrupt Control Register)	15–8	P0EDGE[7:0]	0x00	H0	R/W	–
		7–0	P0IE[7:0]	0x00	H0	R/W	
0x4000 020a	PPORTPOCHATEN (P0 Port Chattering Filter Enable Register)	15–8	–	0x00	–	R	–
		7–0	P0CHATEN[7:0]	0x00	H0	R/W	
0x4000 020c	PPORTP0MODSEL (P0 Port Mode Select Register)	15–8	–	0x00	–	R	–
		7–0	P0SEL[7:0]	0x00	H0	R/W	

APPENDIX A LIST OF PERIPHERAL CIRCUIT CONTROL REGISTERS

Address	Register name	Bit	Bit name	Initial	Reset	R/W	Remarks
0x4000 020e	PPORTP0FNCSEL (P0 Port Function Select Register)	15-14	P07MUX[1:0]	0x0	H0	R/W	-
		13-12	P06MUX[1:0]	0x0	H0	R/W	
		11-10	P05MUX[1:0]	0x0	H0	R/W	
		9-8	P04MUX[1:0]	0x0	H0	R/W	
		7-6	P03MUX[1:0]	0x0	H0	R/W	
		5-4	P02MUX[1:0]	0x0	H0	R/W	
		3-2	P01MUX[1:0]	0x0	H0	R/W	
		1-0	P00MUX[1:0]	0x0	H0	R/W	
0x4000 0210	PPORTP1DAT (P1 Port Data Register)	15-8	P1OUT[7:0]	0x00	H0	R/W	-
		7-0	P1IN[7:0]	0x00	H0	R	
0x4000 0212	PPORTP1IOEN (P1 Port Enable Register)	15-8	P1IEN[7:0]	0x00	H0	R/W	-
		7-0	P1OEN[7:0]	0x00	H0	R/W	
0x4000 0214	PPORTP1RCTL (P1 Port Pull-up/down Control Register)	15-8	P1PDP[7:0]	0x00	H0	R/W	-
		7-0	P1REN[7:0]	0x00	H0	R/W	
0x4000 0216	PPORTP1INTF (P1 Port Interrupt Flag Register)	15-8	-	0x00	-	R	-
		7-0	P1IF[7:0]	0x00	H0	R/W	
0x4000 0218	PPORTP1INTCTL (P1 Port Interrupt Control Register)	15-8	P1EDGE[7:0]	0x00	H0	R/W	-
		7-0	P1IE[7:0]	0x00	H0	R/W	
0x4000 021a	PPORTP1CHATEN (P1 Port Chattering Filter Enable Register)	15-8	-	0x00	-	R	-
		7-0	P1CHATEN[7:0]	0x00	H0	R/W	
0x4000 021c	PPORTP1MODSEL (P1 Port Mode Select Register)	15-8	-	0x00	-	R	-
		7-0	P1SEL[7:0]	0x00	H0	R/W	
0x4000 021e	PPORTP1FNCSEL (P1 Port Function Select Register)	15-14	P17MUX[1:0]	0x0	H0	R/W	-
		13-12	P16MUX[1:0]	0x0	H0	R/W	
		11-10	P15MUX[1:0]	0x0	H0	R/W	
		9-8	P14MUX[1:0]	0x0	H0	R/W	
		7-6	P13MUX[1:0]	0x0	H0	R/W	
		5-4	P12MUX[1:0]	0x0	H0	R/W	
		3-2	P11MUX[1:0]	0x0	H0	R/W	
		1-0	P10MUX[1:0]	0x0	H0	R/W	
0x4000 0220	PPORTP2DAT (P2 Port Data Register)	15-8	P2OUT[7:0]	0x00	H0	R/W	-
		7-0	P2IN[7:0]	0x00	H0	R	
0x4000 0222	PPORTP2IOEN (P2 Port Enable Register)	15-8	P2IEN[7:0]	0x00	H0	R/W	-
		7-0	P2OEN[7:0]	0x00	H0	R/W	
0x4000 0224	PPORTP2RCTL (P2 Port Pull-up/down Control Register)	15-8	P2PDP[7:0]	0x00	H0	R/W	-
		7-0	P2REN[7:0]	0x00	H0	R/W	
0x4000 0226	PPORTP2INTF (P2 Port Interrupt Flag Register)	15-8	-	0x00	-	R	-
		7-0	P2IF[7:0]	0x00	H0	R/W	
0x4000 0228	PPORTP2INTCTL (P2 Port Interrupt Control Register)	15-8	P2EDGE[7:0]	0x00	H0	R/W	-
		7-0	P2IE[7:0]	0x00	H0	R/W	
0x4000 022a	PPORTP2CHATEN (P2 Port Chattering Filter Enable Register)	15-8	-	0x00	-	R	-
		7-0	P2CHATEN[7:0]	0x00	H0	R/W	
0x4000 022c	PPORTP2MODSEL (P2 Port Mode Select Register)	15-8	-	0x00	-	R	-
		7-0	P2SEL[7:0]	0x00	H0	R/W	

APPENDIX A LIST OF PERIPHERAL CIRCUIT CONTROL REGISTERS

Address	Register name	Bit	Bit name	Initial	Reset	R/W	Remarks
0x4000 022e	PPORTP2FNCSEL (P2 Port Function Select Register)	15–14	P27MUX[1:0]	0x0	H0	R/W	–
		13–12	P26MUX[1:0]	0x0	H0	R/W	
		11–10	P25MUX[1:0]	0x0	H0	R/W	
		9–8	P24MUX[1:0]	0x0	H0	R/W	
		7–6	P23MUX[1:0]	0x0	H0	R/W	
		5–4	P22MUX[1:0]	0x0	H0	R/W	
		3–2	P21MUX[1:0]	0x0	H0	R/W	
1–0	P20MUX[1:0]	0x0	H0	R/W			
0x4000 0230	PPORTP3DAT (P3 Port Data Register)	15–8	P3OUT[7:0]	0x00	H0	R/W	–
		7–0	P3IN[7:0]	0x00	H0	R	
0x4000 0232	PPORTP3IOEN (P3 Port Enable Register)	15–8	P3IEN[7:0]	0x00	H0	R/W	–
		7–0	P3OEN[7:0]	0x00	H0	R/W	
0x4000 0234	PPORTP3RCTL (P3 Port Pull-up/down Control Register)	15–8	P3PDPU[7:0]	0x00	H0	R/W	–
		7–0	P3REN[7:0]	0x00	H0	R/W	
0x4000 0236	PPORTP3INTF (P3 Port Interrupt Flag Register)	15–8	–	0x00	–	R	–
		7–0	P3IF[7:0]	0x00	H0	R/W	
0x4000 0238	PPORTP3INTCTL (P3 Port Interrupt Control Register)	15–8	P3EDGE[7:0]	0x00	H0	R/W	–
		7–0	P3IE[7:0]	0x00	H0	R/W	
0x4000 023a	PPORTP3CHATEN (P3 Port Chattering Filter Enable Register)	15–8	–	0x00	–	R	–
		7–0	P3CHATEN[7:0]	0x00	H0	R/W	
0x4000 023c	PPORTP3MODSEL (P3 Port Mode Select Register)	15–8	–	0x00	–	R	–
		7–0	P3SEL[7:0]	0x00	H0	R/W	
0x4000 023e	PPORTP3FNCSEL (P3 Port Function Select Register)	15–14	P37MUX[1:0]	0x0	H0	R/W	–
		13–12	P36MUX[1:0]	0x0	H0	R/W	
		11–10	P35MUX[1:0]	0x0	H0	R/W	
		9–8	P34MUX[1:0]	0x0	H0	R/W	
		7–6	P33MUX[1:0]	0x0	H0	R/W	
		5–4	P32MUX[1:0]	0x0	H0	R/W	
		3–2	P31MUX[1:0]	0x0	H0	R/W	
1–0	P30MUX[1:0]	0x0	H0	R/W			
0x4000 0240	PPORTP4DAT (P4 Port Data Register)	15–8	P4OUT[7:0]	0x00	H0	R/W	–
		7–0	P4IN[7:0]	0x00	H0	R	
0x4000 0242	PPORTP4IOEN (P4 Port Enable Register)	15–8	P4IEN[7:0]	0x00	H0	R/W	–
		7–0	P4OEN[7:0]	0x00	H0	R/W	
0x4000 0244	PPORTP4RCTL (P4 Port Pull-up/down Control Register)	15–8	P4PDPU[7:0]	0x00	H0	R/W	–
		7–0	P4REN[7:0]	0x00	H0	R/W	
0x4000 0246	PPORTP4INTF (P4 Port Interrupt Flag Register)	15–8	–	0x00	–	R	–
		7–0	P4IF[7:0]	0x00	H0	R/W	
0x4000 0248	PPORTP4INTCTL (P4 Port Interrupt Control Register)	15–8	P4EDGE[7:0]	0x00	H0	R/W	–
		7–0	P4IE[7:0]	0x00	H0	R/W	
0x4000 024a	PPORTP4CHATEN (P4 Port Chattering Filter Enable Register)	15–8	–	0x00	–	R	–
		7–0	P4CHATEN[7:0]	0x00	H0	R/W	
0x4000 024c	PPORTP4MODSEL (P4 Port Mode Select Register)	15–8	–	0x00	–	R	–
		7–0	P4SEL[7:0]	0x00	H0	R/W	

APPENDIX A LIST OF PERIPHERAL CIRCUIT CONTROL REGISTERS

Address	Register name	Bit	Bit name	Initial	Reset	R/W	Remarks
0x4000 024e	PPORTP4FNCSEL (P4 Port Function Select Register)	15–14	P47MUX[1:0]	0x3	H0	R	-
		13–12	P46MUX[1:0]	0x3	H0	R	
		11–10	P45MUX[1:0]	0x3	H0	R	
		9–8	P44MUX[1:0]	0x3	H0	R	
		7–6	P43MUX[1:0]	0x3	H0	R	
		5–4	P42MUX[1:0]	0x3	H0	R	
		3–2	P41MUX[1:0]	0x3	H0	R	
		1–0	P40MUX[1:0]	0x3	H0	R	
0x4000 0250	PPORTP5DAT (P5 Port Data Register)	15–8	P5OUT[7:0]	0x00	H0	R/W	-
		7–0	P5IN[7:0]	0x00	H0	R	
0x4000 0252	PPORTP5IOEN (P5 Port Enable Register)	15–8	P5IEN[7:0]	0x00	H0	R/W	-
		7–0	P5OEN[7:0]	0x00	H0	R/W	
0x4000 0254	PPORTP5RCTL (P5 Port Pull-up/down Control Register)	15–8	P5PDP[7:0]	0x00	H0	R/W	-
		7–0	P5REN[7:0]	0x00	H0	R/W	
0x4000 0256	PPORTP5INTF (P5 Port Interrupt Flag Register)	15–8	-	0x00	-	R	-
		7–0	P5IF[7:0]	0x00	H0	R/W	
0x4000 0258	PPORTP5INTCTL (P5 Port Interrupt Control Register)	15–8	P5EDGE[7:0]	0x00	H0	R/W	-
		7–0	P5IE[7:0]	0x00	H0	R/W	
0x4000 025a	PPORTP5CHATEN (P5 Port Chattering Filter Enable Register)	15–8	-	0x00	-	R	-
		7–0	P5CHATEN[7:0]	0x00	H0	R/W	
0x4000 025c	PPORTP5MODESEL (P5 Port Mode Select Register)	15–8	-	0x00	-	R	-
		7–0	P5SEL[7:0]	0x00	H0	R/W	
0x4000 025e	PPORTP5FNCSEL (P5 Port Function Select Register)	15–14	P57MUX[1:0]	0x3	H0	R	-
		13–12	P56MUX[1:0]	0x3	H0	R	
		11–10	P55MUX[1:0]	0x3	H0	R	
		9–8	P54MUX[1:0]	0x3	H0	R	
		7–6	P53MUX[1:0]	0x3	H0	R	
		5–4	P52MUX[1:0]	0x3	H0	R	
		3–2	P51MUX[1:0]	0x3	H0	R	
		1–0	P50MUX[1:0]	0x3	H0	R	
0x4000 0260	PPORTP6DAT (P6 Port Data Register)	15–8	P6OUT[7:0]	0x00	H0	R/W	-
		7–0	P6IN[7:0]	0x00	H0	R	
0x4000 0262	PPORTP6IOEN (P6 Port Enable Register)	15–8	P6IEN[7:0]	0x00	H0	R/W	-
		7–0	P6OEN[7:0]	0x00	H0	R/W	
0x4000 0264	PPORTP6RCTL (P6 Port Pull-up/down Control Register)	15–8	P6PDP[7:0]	0x00	H0	R/W	-
		7–0	P6REN[7:0]	0x00	H0	R/W	
0x4000 0266	PPORTP6INTF (P6 Port Interrupt Flag Register)	15–8	-	0x00	-	R	-
		7–0	P6IF[7:0]	0x00	H0	R/W	
0x4000 0268	PPORTP6INTCTL (P6 Port Interrupt Control Register)	15–8	P6EDGE[7:0]	0x00	H0	R/W	-
		7–0	P6IE[7:0]	0x00	H0	R/W	
0x4000 026a	PPORTP6CHATEN (P6 Port Chattering Filter Enable Register)	15–8	-	0x00	-	R	-
		7–0	P6CHATEN[7:0]	0x00	H0	R/W	
0x4000 026c	PPORTP6MODESEL (P6 Port Mode Select Register)	15–8	-	0x00	-	R	-
		7–0	P6SEL[7:0]	0x00	H0	R/W	

APPENDIX A LIST OF PERIPHERAL CIRCUIT CONTROL REGISTERS

Address	Register name	Bit	Bit name	Initial	Reset	R/W	Remarks
0x4000 026e	PPORTP6FNCSEL (P6 Port Function Select Register)	15-14	P67MUX[1:0]	0x3	H0	R	-
		13-12	P66MUX[1:0]	0x3	H0	R	
		11-10	P65MUX[1:0]	0x3	H0	R	
		9-8	P64MUX[1:0]	0x3	H0	R	
		7-6	P63MUX[1:0]	0x3	H0	R	
		5-4	P62MUX[1:0]	0x3	H0	R	
		3-2	P61MUX[1:0]	0x3	H0	R	
1-0	P60MUX[1:0]	0x3	H0	R			
0x4000 0270	PPORTP7DAT (P7 Port Data Register)	15-8	P7OUT[7:0]	0x00	H0	R/W	-
		7-0	P7IN[7:0]	0x00	H0	R	
0x4000 0272	PPORTP7IOEN (P7 Port Enable Register)	15-8	P7IEN[7:0]	0x00	H0	R/W	-
		7-0	P7OEN[7:0]	0x00	H0	R/W	
0x4000 0274	PPORTP7RCTL (P7 Port Pull-up/down Control Register)	15-8	P7PDPU[7:0]	0x00	H0	R/W	-
		7-0	P7REN[7:0]	0x00	H0	R/W	
0x4000 0276	PPORTP7INTF (P7 Port Interrupt Flag Register)	15-8	-	0x00	-	R	-
		7-0	P7IF[7:0]	0x00	H0	R/W	
0x4000 0278	PPORTP7INTCTL (P7 Port Interrupt Control Register)	15-8	P7EDGE[7:0]	0x00	H0	R/W	-
		7-0	P7IE[7:0]	0x00	H0	R/W	
0x4000 027a	PPORTP7CHATEN (P7 Port Chattering Filter Enable Register)	15-8	-	0x00	-	R	-
		7-0	P7CHATEN[7:0]	0x00	H0	R/W	
0x4000 027c	PPORTP7MODESEL (P7 Port Mode Select Register)	15-8	-	0x00	-	R	-
		7-0	P7SEL[7:0]	0x00	H0	R/W	
0x4000 027e	PPORTP7FNCSEL (P7 Port Function Select Register)	15-14	P77MUX[1:0]	0x3	H0	R	-
		13-12	P76MUX[1:0]	0x3	H0	R	
		11-10	P75MUX[1:0]	0x3	H0	R	
		9-8	P74MUX[1:0]	0x3	H0	R	
		7-6	P73MUX[1:0]	0x3	H0	R	
		5-4	P72MUX[1:0]	0x3	H0	R	
		3-2	P71MUX[1:0]	0x3	H0	R	
1-0	P70MUX[1:0]	0x3	H0	R			
0x4000 0280	PPORTP8DAT (P8 Port Data Register)	15-10	-	0x00	-	R	-
		9-8	P8OUT[1:0]	0x0	H0	R/W	
		7-2	-	0x00	-	R	
		1-0	P8IN[1:0]	0x0	H0	R	
0x4000 0282	PPORTP8IOEN (P8 Port Enable Register)	15-10	-	0x00	-	R	-
		9-8	P8IEN[1:0]	0x0	H0	R/W	
		7-2	-	0x00	-	R	
		1-0	P8OEN[1:0]	0x0	H0	R/W	
0x4000 0284	PPORTP8RCTL (P8 Port Pull-up/down Control Register)	15-10	-	0x00	-	R	-
		9-8	P8PDPU[1:0]	0x0	H0	R/W	
		7-2	-	0x00	-	R	
		1-0	P8REN[1:0]	0x0	H0	R/W	
0x4000 0286	PPORTP8INTF (P8 Port Interrupt Flag Register)	15-8	-	0x00	-	R	-
		7-2	-	0x00	-	R	
		1-0	P8IF[1:0]	0x0	H0	R/W	
0x4000 0288	PPORTP8INTCTL (P8 Port Interrupt Control Register)	15-10	-	0x00	-	R	-
		9-8	P8EDGE[1:0]	0x0	H0	R/W	
		7-2	-	0x00	-	R	
		1-0	P8IE[1:0]	0x0	H0	R/W	
0x4000 028a	PPORTP8CHATEN (P8 Port Chattering Filter Enable Register)	15-8	-	0x00	-	R	-
		7-2	-	0x00	-	R	
		1-0	P8CHATEN[1:0]	0x0	H0	R/W	

APPENDIX A LIST OF PERIPHERAL CIRCUIT CONTROL REGISTERS

Address	Register name	Bit	Bit name	Initial	Reset	R/W	Remarks
0x4000 028c	PPORTP8MODSEL (P8 Port Mode Select Register)	15–8	–	0x00	–	R	–
		7–2	–	0x00	–	R	
		1–0	P8SEL[1:0]	0x0	H0	R/W	
0x4000 028e	PPORTP8FNCSEL (P8 Port Function Select Register)	15–8	–	0xff	–	R	–
		7–4	–	0xff	–	R	
		3–2	P81MUX[1:0]	0x3	H0	R	
		1–0	P80MUX[1:0]	0x3	H0	R	
0x4000 0290	PPORTP9DAT (P9 Port Data Register)	15–9	–	0x00	–	R	–
		8	P9OUT0	0	H0	R/W	
		7–1	–	0x00	–	R	
		0	P9IN0	0	H0	R	
0x4000 0292	PPORTP9IOEN (P9 Port Enable Register)	15–9	–	0x00	–	R	–
		8	P9IEN0	0	H0	R/W	
		7–1	–	0x00	–	R	
		0	P9OEN0	0	H0	R/W	
0x4000 0294	PPORTP9RCTL (P9 Port Pull-up/down Control Register)	15–9	–	0x00	–	R	–
		8	P9PDP0	0	H0	R/W	
		7–1	–	0x00	–	R	
		0	P9REN0	0	H0	R/W	
0x4000 0296	PPORTP9INTF (P9 Port Interrupt Flag Register)	15–8	–	0x00	–	R	–
		7–1	–	0x00	–	R	
		0	P9IF0	0	H0	R/W	
0x4000 0298	PPORTP9INTCTL (P9 Port Interrupt Control Register)	15–9	–	0x00	–	R	–
		8	P9EDGE0	0	H0	R/W	
		7–1	–	0x00	–	R	
		0	P9IE0	0	H0	R/W	
0x4000 029a	PPORTP9CHATEN (P9 Port Chattering Filter Enable Register)	15–8	–	0x00	–	R	–
		7–1	–	0x00	–	R	
		0	P9CHATEN0	0	H0	R/W	
0x4000 029c	PPORTP9MODSEL (P9 Port Mode Select Register)	15–8	–	0x00	–	R	–
		7–1	–	0x00	–	R	
		0	P9SEL0	0	H0	R/W	
0x4000 029e	PPORTP9FNCSEL (P9 Port Function Select Register)	15–8	–	0xff	–	R	–
		7–2	–	0x3f	–	R	
		1–0	P90MUX[1:0]	0x0	H0	R/W	
0x4000 02d0	PPORTPDDAT (Pd Port Data Register)	15–12	–	0x0	–	R	–
		11–8	PDOOUT[3:0]	0x0	H0	R/W	
		7–4	–	0x0	–	R	
		3–0	PDIN[3:0]	x	H0	R	
0x4000 02d2	PPORTPDIOEN (Pd Port Enable Register)	15–12	–	0x0	–	R	–
		11–8	PDIEN[3:0]	0x0	H0	R/W	
		7–4	–	0x0	–	R	
		3–0	PDOEN[3:0]	0x0	H0	R/W	
0x4000 02d4	PPORTPDRCTL (Pd Port Pull-up/down Control Register)	15–12	–	0x0	–	R	–
		11–8	PDPDPU[3:0]	0x0	H0	R/W	
		7–4	–	0x0	–	R	
		3–0	PDREN[3:0]	0x0	H0	R/W	
0x4000 02dc	PPORTPDMODSEL (Pd Port Mode Select Register)	15–8	–	0x00	–	R	–
		7–4	–	0x0	–	R	
		3–0	PDSEL[3:0]	0x3	H0	R/W	
0x4000 02de	PPORTPDFNCSEL (Pd Port Function Select Register)	15–8	–	0x00	–	R	–
		7–6	PD3MUX[1:0]	0x0	H0	R/W	
		5–4	PD2MUX[1:0]	0x0	H0	R/W	
		3–2	PD1MUX[1:0]	0x0	H0	R/W	
		1–0	PD0MUX[1:0]	0x0	H0	R/W	

APPENDIX A LIST OF PERIPHERAL CIRCUIT CONTROL REGISTERS

Address	Register name	Bit	Bit name	Initial	Reset	R/W	Remarks
0x4000 02e0	PPORTCLK (P Port Clock Control Register)	15-9	-	0x00	-	R	-
		8	DBRUN	0	H0	R/WP	
		7-4	CLKDIV[3:0]	0x0	H0	R/WP	
		3-2	KRSTCFG[1:0]	0x0	H0	R/WP	
		1-0	CLKSRC[1:0]	0x0	H0	R/WP	
0x4000 02e2	PPORTINTFGRP (P Port Interrupt Flag Group Register)	15-10	-	0x00	-	R	-
		9	P9INT	0	H0	R	
		8	P8INT	0	H0	R	
		7	P7INT	0	H0	R	
		6	P6INT	0	H0	R	
		5	P5INT	0	H0	R	
		4	P4INT	0	H0	R	
		3	P3INT	0	H0	R	
		2	P2INT	0	H0	R	
		1	P1INT	0	H0	R	
		0	P0INT	0	H0	R	

0x4000 0300-0x4000 031e

Universal Port Multiplexer (UPMUX)

Address	Register name	Bit	Bit name	Initial	Reset	R/W	Remarks
0x4000 0300	UPMUXP0MUX0 (P00-01 Universal Port Multiplexer Setting Register)	15-13	P01PPFNC[2:0]	0x0	H0	R/W	-
		12-11	P01PERICH[1:0]	0x0	H0	R/W	
		10-8	P01PERISEL[2:0]	0x0	H0	R/W	
		7-5	P00PPFNC[2:0]	0x0	H0	R/W	
		4-3	P00PERICH[1:0]	0x0	H0	R/W	
		2-0	P00PERISEL[2:0]	0x0	H0	R/W	
0x4000 0302	UPMUXP0MUX1 (P02-03 Universal Port Multiplexer Setting Register)	15-13	P03PPFNC[2:0]	0x0	H0	R/W	-
		12-11	P03PERICH[1:0]	0x0	H0	R/W	
		10-8	P03PERISEL[2:0]	0x0	H0	R/W	
		7-5	P02PPFNC[2:0]	0x0	H0	R/W	
		4-3	P02PERICH[1:0]	0x0	H0	R/W	
		2-0	P02PERISEL[2:0]	0x0	H0	R/W	
0x4000 0304	UPMUXP0MUX2 (P04-05 Universal Port Multiplexer Setting Register)	15-13	P05PPFNC[2:0]	0x0	H0	R/W	-
		12-11	P05PERICH[1:0]	0x0	H0	R/W	
		10-8	P05PERISEL[2:0]	0x0	H0	R/W	
		7-5	P04PPFNC[2:0]	0x0	H0	R/W	
		4-3	P04PERICH[1:0]	0x0	H0	R/W	
		2-0	P04PERISEL[2:0]	0x0	H0	R/W	
0x4000 0306	UPMUXP0MUX3 (P06-07 Universal Port Multiplexer Setting Register)	15-13	P07PPFNC[2:0]	0x0	H0	R/W	-
		12-11	P07PERICH[1:0]	0x0	H0	R/W	
		10-8	P07PERISEL[2:0]	0x0	H0	R/W	
		7-5	P06PPFNC[2:0]	0x0	H0	R/W	
		4-3	P06PERICH[1:0]	0x0	H0	R/W	
		2-0	P06PERISEL[2:0]	0x0	H0	R/W	
0x4000 0308	UPMUXP1MUX0 (P10-11 Universal Port Multiplexer Setting Register)	15-13	P11PPFNC[2:0]	0x0	H0	R/W	-
		12-11	P11PERICH[1:0]	0x0	H0	R/W	
		10-8	P11PERISEL[2:0]	0x0	H0	R/W	
		7-5	P10PPFNC[2:0]	0x0	H0	R/W	
		4-3	P10PERICH[1:0]	0x0	H0	R/W	
		2-0	P10PERISEL[2:0]	0x0	H0	R/W	
0x4000 030a	UPMUXP1MUX1 (P12-13 Universal Port Multiplexer Setting Register)	15-13	P13PPFNC[2:0]	0x0	H0	R/W	-
		12-11	P13PERICH[1:0]	0x0	H0	R/W	
		10-8	P13PERISEL[2:0]	0x0	H0	R/W	
		7-5	P12PPFNC[2:0]	0x0	H0	R/W	
		4-3	P12PERICH[1:0]	0x0	H0	R/W	
		2-0	P12PERISEL[2:0]	0x0	H0	R/W	

APPENDIX A LIST OF PERIPHERAL CIRCUIT CONTROL REGISTERS

Address	Register name	Bit	Bit name	Initial	Reset	R/W	Remarks
0x4000 030c	UPMUXP1MUX2 (P14–15 Universal Port Multiplexer Setting Register)	15–13	P15PPFNC[2:0]	0x0	H0	R/W	-
		12–11	P15PERICH[1:0]	0x0	H0	R/W	
		10–8	P15PERISEL[2:0]	0x0	H0	R/W	
		7–5	P14PPFNC[2:0]	0x0	H0	R/W	
		4–3	P14PERICH[1:0]	0x0	H0	R/W	
		2–0	P14PERISEL[2:0]	0x0	H0	R/W	
0x4000 030e	UPMUXP1MUX3 (P16–17 Universal Port Multiplexer Setting Register)	15–13	P17PPFNC[2:0]	0x0	H0	R/W	-
		12–11	P17PERICH[1:0]	0x0	H0	R/W	
		10–8	P17PERISEL[2:0]	0x0	H0	R/W	
		7–5	P16PPFNC[2:0]	0x0	H0	R/W	
		4–3	P16PERICH[1:0]	0x0	H0	R/W	
		2–0	P16PERISEL[2:0]	0x0	H0	R/W	
0x4000 0318	UPMUXP3MUX0 (P30–31 Universal Port Multiplexer Setting Register)	15–13	P31PPFNC[2:0]	0x0	H0	R/W	-
		12–11	P31PERICH[1:0]	0x0	H0	R/W	
		10–8	P31PERISEL[2:0]	0x0	H0	R/W	
		7–5	P30PPFNC[2:0]	0x0	H0	R/W	
		4–3	P30PERICH[1:0]	0x0	H0	R/W	
		2–0	P30PERISEL[2:0]	0x0	H0	R/W	
0x4000 031a	UPMUXP3MUX1 (P32–33 Universal Port Multiplexer Setting Register)	15–13	P33PPFNC[2:0]	0x0	H0	R/W	-
		12–11	P33PERICH[1:0]	0x0	H0	R/W	
		10–8	P33PERISEL[2:0]	0x0	H0	R/W	
		7–5	P32PPFNC[2:0]	0x0	H0	R/W	
		4–3	P32PERICH[1:0]	0x0	H0	R/W	
		2–0	P32PERISEL[2:0]	0x0	H0	R/W	
0x4000 031c	UPMUXP3MUX2 (P34–35 Universal Port Multiplexer Setting Register)	15–13	P35PPFNC[2:0]	0x0	H0	R/W	-
		12–11	P35PERICH[1:0]	0x0	H0	R/W	
		10–8	P35PERISEL[2:0]	0x0	H0	R/W	
		7–5	P34PPFNC[2:0]	0x0	H0	R/W	
		4–3	P34PERICH[1:0]	0x0	H0	R/W	
		2–0	P34PERISEL[2:0]	0x0	H0	R/W	
0x4000 031e	UPMUXP3MUX3 (P36–37 Universal Port Multiplexer Setting Register)	15–13	P37PPFNC[2:0]	0x0	H0	R/W	-
		12–11	P37PERICH[1:0]	0x0	H0	R/W	
		10–8	P37PERISEL[2:0]	0x0	H0	R/W	
		7–5	P36PPFNC[2:0]	0x0	H0	R/W	
		4–3	P36PERICH[1:0]	0x0	H0	R/W	
		2–0	P36PERISEL[2:0]	0x0	H0	R/W	

0x4000 0380–0x4000 0392

UART (UART2) Ch.0

Address	Register name	Bit	Bit name	Initial	Reset	R/W	Remarks
0x4000 0380	UART2_OCLK (UART2 Ch.0 Clock Control Register)	15–9	–	0x00	–	R	-
		8	DBRUN	0	H0	R/W	
		7–6	–	0x0	–	R	
		5–4	CLKDIV[1:0]	0x0	H0	R/W	
		3–2	–	0x0	–	R	
		1–0	CLKSRC[1:0]	0x0	H0	R/W	
0x4000 0382	UART2_0MOD (UART2 Ch.0 Mode Register)	15–11	–	0x00	–	R	-
		10	BRDIV	0	H0	R/W	
		9	INVRX	0	H0	R/W	
		8	INVTX	0	H0	R/W	
		7	–	0	–	R	
		6	PUEN	0	H0	R/W	
		5	OUTMD	0	H0	R/W	
		4	IRMD	0	H0	R/W	
		3	CHLN	0	H0	R/W	
		2	PREN	0	H0	R/W	
		1	PRMD	0	H0	R/W	
0	STPB	0	H0	R/W			

APPENDIX A LIST OF PERIPHERAL CIRCUIT CONTROL REGISTERS

Address	Register name	Bit	Bit name	Initial	Reset	R/W	Remarks	
0x4000 0384	UART2_OBR (UART2 Ch.0 Baud-Rate Register)	15–12	–	0x0	–	R	–	
		11–8	FMD[3:0]	0x0	H0	R/W		
		7–0	BRT[7:0]	0x00	H0	R/W		
0x4000 0386	UART2_OCTL (UART2 Ch.0 Control Register)	15–8	–	0x00	–	R	–	
		7–2	–	0x00	–	R		
		1	SFTRST	0	H0	R/W		
		0	MODEN	0	H0	R/W		
0x4000 0388	UART2_OTXD (UART2 Ch.0 Transmit Data Register)	15–8	–	0x00	–	R	–	
		7–0	TXD[7:0]	0x00	H0	R/W		
0x4000 038a	UART2_ORXD (UART2 Ch.0 Receive Data Register)	15–8	–	0x00	–	R	–	
		7–0	RXD[7:0]	0x00	H0	R		
0x4000 038c	UART2_OINTF (UART2 Ch.0 Status and Interrupt Flag Register)	15–10	–	0x00	–	R	–	
		9	RBSY	0	H0/S0	R		
		8	TBSY	0	H0/S0	R		
		7	–	0	–	R		
		6	TENDIF	0	H0/S0	R/W		Cleared by writing 1.
		5	FEIF	0	H0/S0	R/W		Cleared by writing 1 or reading the UART2_ORXD register.
		4	PEIF	0	H0/S0	R/W		
		3	OEIF	0	H0/S0	R/W		Cleared by writing 1.
		2	RB2FIF	0	H0/S0	R		Cleared by reading the UART2_ORXD register.
		1	RB1FIF	0	H0/S0	R		
		0	TBEIF	1	H0/S0	R	Cleared by writing to the UART2_OTXD register.	
0x4000 038e	UART2_OINTE (UART2 Ch.0 Interrupt Enable Register)	15–8	–	0x00	–	R	–	
		7	–	0	–	R		
		6	TENDIE	0	H0	R/W		
		5	FEIE	0	H0	R/W		
		4	PEIE	0	H0	R/W		
		3	OEIE	0	H0	R/W		
		2	RB2FIE	0	H0	R/W		
		1	RB1FIE	0	H0	R/W		
		0	TBEIE	0	H0	R/W		
0x4000 0390	UART2_0 TBEDMAEN (UART2 Ch.0 Transmit Buffer Empty DMA Request Enable Register)	15–8	–	0x00	–	R	–	
		7–4	–	0x0	–	R		
		3–0	TBEDMAEN[3:0]	0x0	H0	R/W		
0x4000 0392	UART2_0 RB1FDMAEN (UART2 Ch.0 Receive Buffer One Byte Full DMA Request Enable Register)	15–8	–	0x00	–	R	–	
		7–4	–	0x0	–	R		
		3–0	RB1FDMAEN[3:0]	0x0	H0	R/W		

0x4000 03a0–0x4000 03ac

16-bit Timer (T16) Ch.1

Address	Register name	Bit	Bit name	Initial	Reset	R/W	Remarks
0x4000 03a0	T16_1CLK (T16 Ch.1 Clock Control Register)	15–9	–	0x00	–	R	–
		8	DBRUN	0	H0	R/W	
		7–4	CLKDIV[3:0]	0x0	H0	R/W	
		3–2	–	0x0	–	R	
		1–0	CLKSRC[1:0]	0x0	H0	R/W	
0x4000 03a2	T16_1MOD (T16 Ch.1 Mode Register)	15–8	–	0x00	–	R	–
		7–1	–	0x00	–	R	
		0	TRMD	0	H0	R/W	

APPENDIX A LIST OF PERIPHERAL CIRCUIT CONTROL REGISTERS

Address	Register name	Bit	Bit name	Initial	Reset	R/W	Remarks
0x4000 03a4	T16_1CTL (T16 Ch.1 Control Register)	15-9	-	0x00	-	R	
		8	PRUN	0	H0	R/W	
		7-2	-	0x00	-	R	
		1	PRESET	0	H0	R/W	
		0	MODEN	0	H0	R/W	
0x4000 03a6	T16_1TR (T16 Ch.1 Reload Data Register)	15-0	TR[15:0]	0xffff	H0	R/W	-
0x4000 03a8	T16_1TC (T16 Ch.1 Counter Data Register)	15-0	TC[15:0]	0xffff	H0	R	-
0x4000 03aa	T16_1INTF (T16 Ch.1 Interrupt Flag Register)	15-8	-	0x00	-	R	
		7-1	-	0x00	-	R	
		0	UFIF	0	H0	R/W	
0x4000 03ac	T16_1INTE (T16 Ch.1 Interrupt Enable Register)	15-8	-	0x00	-	R	
		7-1	-	0x00	-	R	
		0	UFIE	0	H0	R/W	

0x4000 03b0-0x4000 03be

Synchronous Serial Interface (SPIA) Ch.0

Address	Register name	Bit	Bit name	Initial	Reset	R/W	Remarks	
0x4000 03b0	SPIA_0MOD (SPIA Ch.0 Mode Register)	15-12	-	0x0	-	R		
		11-8	CHLN[3:0]	0x7	H0	R/W		
		7-6	-	0x0	-	R		
		5	PUEN	0	H0	R/W		
		4	NOCLKDIV	0	H0	R/W		
		3	LSBFST	0	H0	R/W		
		2	CPHA	0	H0	R/W		
		1	CPOL	0	H0	R/W		
0	MST	0	H0	R/W				
0x4000 03b2	SPIA_0CTL (SPIA Ch.0 Control Register)	15-8	-	0x00	-	R		
		7-2	-	0x00	-	R		
		1	SFTRST	0	H0	R/W		
		0	MODEN	0	H0	R/W		
0x4000 03b4	SPIA_0TXD (SPIA Ch.0 Transmit Data Register)	15-0	TXD[15:0]	0x0000	H0	R/W	-	
0x4000 03b6	SPIA_0RXD (SPIA Ch.0 Receive Data Register)	15-0	RXD[15:0]	0x0000	H0	R	-	
0x4000 03b8	SPIA_0INTF (SPIA Ch.0 Interrupt Flag Register)	15-8	-	0x00	-	R		
		7	BSY	0	H0	R		
		6-4	-	0x0	-	R		
		3	OEIF	0	H0/S0	R/W		Cleared by writing 1.
		2	TENDIF	0	H0/S0	R/W		
		1	RBFIF	0	H0/S0	R		Cleared by reading the SPIA_0RXD register.
0	TBEIF	1	H0/S0	R	Cleared by writing to the SPIA_0TXD register.			
0x4000 03ba	SPIA_0INTE (SPIA Ch.0 Interrupt Enable Register)	15-8	-	0x00	-	R		
		7-4	-	0x0	-	R		
		3	OEIE	0	H0	R/W		
		2	TENDIE	0	H0	R/W		
		1	RBFIE	0	H0	R/W		
		0	TBEIE	0	H0	R/W		
0x4000 03bc	SPIA_0TBEDMAEN (SPIA Ch.0 Transmit Buffer Empty DMA Request Enable Register)	15-8	-	0x00	-	R		
		7-4	-	0x0	-	R		
		3-0	TBEDMAEN[3:0]	0x0	H0	R/W		

APPENDIX A LIST OF PERIPHERAL CIRCUIT CONTROL REGISTERS

Address	Register name	Bit	Bit name	Initial	Reset	R/W	Remarks
0x4000 03be	SPIA_ORBFDMAEN (SPIA Ch.0 Receive Buffer Full DMA Request Enable Register)	15–8	–	0x00	–	R	–
		7–4	–	0x0	–	R	
		3–0	RBFDMAEN[3:0]	0x0	H0	R/W	

0x4000 03c0–0x4000 03d6

I²C (I2C) Ch.0

Address	Register name	Bit	Bit name	Initial	Reset	R/W	Remarks	
0x4000 03c0	I2C_0CLK (I2C Ch.0 Clock Control Register)	15–9	–	0x00	–	R	–	
		8	DBRUN	0	H0	R/W		
		7–6	–	0x0	–	R		
		5–4	CLKDIV[1:0]	0x0	H0	R/W		
		3–2	–	0x0	–	R		
		1–0	CLKSRC[1:0]	0x0	H0	R/W		
0x4000 03c2	I2C_0MOD (I2C Ch.0 Mode Register)	15–8	–	0x00	–	R	–	
		7–3	–	0x00	–	R		
		2	OADR10	0	H0	R/W		
		1	GCEN	0	H0	R/W		
0x4000 03c4	I2C_0BR (I2C Ch.0 Baud-Rate Register)	15–8	–	0x00	–	R	–	
		7	–	0	–	R		
		6–0	BRT[6:0]	0x7f	H0	R/W		
0x4000 03c8	I2C_0OADR (I2C Ch.0 Own Address Register)	15–10	–	0x00	–	R	–	
		9–0	OADR[9:0]	0x000	H0	R/W		
0x4000 03ca	I2C_0CTL (I2C Ch.0 Control Register)	15–8	–	0x00	–	R	–	
		7–6	–	0x0	–	R		
		5	MST	0	H0	R/W		
		4	TXNACK	0	H0/S0	R/W		
		3	TXSTOP	0	H0/S0	R/W		
		2	TXSTART	0	H0/S0	R/W		
		1	SFTRST	0	H0	R/W		
		0	MODEN	0	H0	R/W		
0x4000 03cc	I2C_0TXD (I2C Ch.0 Transmit Data Register)	15–8	–	0x00	–	R	–	
		7–0	TXD[7:0]	0x00	H0	R/W		
0x4000 03ce	I2C_0RXD (I2C Ch.0 Receive Data Register)	15–8	–	0x00	–	R	–	
		7–0	RXD[7:0]	0x00	H0	R		
0x4000 03d0	I2C_0INTF (I2C Ch.0 Status and Interrupt Flag Register)	15–13	–	0x0	–	R	–	
		12	SDALLOW	0	H0	R		
		11	SCLLOW	0	H0	R		
		10	BSY	0	H0/S0	R		
		9	TR	0	H0	R		
		8	–	0	–	R		
		7	BYTEENDIF	0	H0/S0	R/W		Cleared by writing 1.
		6	GCIF	0	H0/S0	R/W		
		5	NACKIF	0	H0/S0	R/W		
		4	STOPIF	0	H0/S0	R/W		
		3	STARTIF	0	H0/S0	R/W		
		2	ERRIF	0	H0/S0	R/W		Cleared by reading the I2C_0RXD register.
		1	RBFIF	0	H0/S0	R		
		0	TBEIF	0	H0/S0	R		Cleared by writing to the I2C_0TXD register.

APPENDIX A LIST OF PERIPHERAL CIRCUIT CONTROL REGISTERS

Address	Register name	Bit	Bit name	Initial	Reset	R/W	Remarks
0x4000 03d2	I2C_OINTE (I2C Ch.0 Interrupt Enable Register)	15-8	-	0x00	-	R	
		7	BYTEENDIE	0	H0	R/W	
		6	GCIE	0	H0	R/W	
		5	NACKIE	0	H0	R/W	
		4	STOPIE	0	H0	R/W	
		3	STARTIE	0	H0	R/W	
		2	ERRIE	0	H0	R/W	
		1	RBFIE	0	H0	R/W	
0x4000 03d4	I2C_OTBEDMAEN (I2C Ch.0 Transmit Buffer Empty DMA Request Enable Register)	15-8	-	0x00	-	R	
		7-4	-	0x0	-	R	
		3-0	TBEDMAEN[3:0]	0x0	H0	R/W	
0x4000 03d6	I2C_ORBFDMAEN (I2C Ch.0 Receive Buffer Full DMA Request Enable Register)	15-8	-	0x00	-	R	
		7-4	-	0x0	-	R	
		3-0	RBFDMAEN[3:0]	0x0	H0	R/W	

0x4000 0400-0x4000 041c

16-bit PWM Timer (T16B) Ch.0

Address	Register name	Bit	Bit name	Initial	Reset	R/W	Remarks
0x4000 0400	T16B_OCLK (T16B Ch.0 Clock Control Register)	15-9	-	0x00	-	R	
		8	DBRUN	0	H0	R/W	
		7-4	CLKDIV[3:0]	0x0	H0	R/W	
		3	-	0	-	R	
		2-0	CLKSRC[2:0]	0x0	H0	R/W	
0x4000 0402	T16B_OCTL (T16B Ch.0 Counter Control Register)	15-9	-	0x00	-	R	
		8	MAXBSY	0	H0	R	
		7-6	-	0x0	-	R	
		5-4	CNTMD[1:0]	0x0	H0	R/W	
		3	ONEST	0	H0	R/W	
		2	RUN	0	H0	R/W	
		1	PRESET	0	H0	R/W	
0	MODEN	0	H0	R/W			
0x4000 0404	T16B_OMC (T16B Ch.0 Max Counter Data Register)	15-0	MC[15:0]	0xffff	H0	R/W	-
0x4000 0406	T16B_OTC (T16B Ch.0 Timer Counter Data Register)	15-0	TC[15:0]	0x0000	H0	R	-
0x4000 0408	T16B_OCS (T16B Ch.0 Counter Status Register)	15-8	-	0x00	-	R	
		7-4	-	0x0	-	R	
		3	CAP11	0	H0	R	
		2	CAP10	0	H0	R	
		1	UP_DOWN	1	H0	R	
		0	BSY	0	H0	R	
0x4000 040a	T16B_OINTF (T16B Ch.0 Interrupt Flag Register)	15-8	-	0x00	-	R	
		7-6	-	0x0	-	R	
		5	CAPOW1IF	0	H0	R/W	
		4	CMPCAP1IF	0	H0	R/W	
		3	CAPOW0IF	0	H0	R/W	
		2	CMPCAP0IF	0	H0	R/W	
		1	CNTMAXIF	0	H0	R/W	
		0	CNTZEROIF	0	H0	R/W	

APPENDIX A LIST OF PERIPHERAL CIRCUIT CONTROL REGISTERS

Address	Register name	Bit	Bit name	Initial	Reset	R/W	Remarks
0x4000 040c	T16B_0INTE (T16B Ch.0 Interrupt Enable Register)	15-8	-	0x0	-	R	
		7-6	-	0x0	-	R	
		5	CAPOW1IE	0	H0	R/W	
		4	CMPCAP1IE	0	H0	R/W	
		3	CAPOW0IE	0	H0	R/W	
		2	CMPCAP0IE	0	H0	R/W	
		1	CNTMAXIE	0	H0	R/W	
0	CNTZEROIE	0	H0	R/W			
0x4000 040e	T16B_0MZDMAEN (T16B Ch.0 Counter Max/Zero DMA Request Enable Register)	15-8	-	0x00	-	R	
		7-4	-	0x0	-	R	
		3-0	MZDMAEN[3:0]	0x0	H0	R/W	
0x4000 0410	T16B_0CCCTL0 (T16B Ch.0 Compare/ Capture 0 Control Register)	15	SCS	0	H0	R/W	
		14-12	CBUFMD[2:0]	0x0	H0	R/W	
		11-10	CAPIS[1:0]	0x0	H0	R/W	
		9-8	CAPTRG[1:0]	0x0	H0	R/W	
		7	-	0	-	R	
		6	TOUTMT	0	H0	R/W	
		5	TOUTO	0	H0	R/W	
		4-2	TOUTMD[2:0]	0x0	H0	R/W	
		1	TOUTINV	0	H0	R/W	
0	CCMD	0	H0	R/W			
0x4000 0412	T16B_0CCCR0 (T16B Ch.0 Compare/ Capture 0 Data Register)	15-0	CC[15:0]	0x0000	H0	R/W	
0x4000 0414	T16B_0CC0DMAEN (T16B Ch.0 Compare/ Capture 0 DMA Request Enable Register)	15-8	-	0x00	-	R	
		7-4	-	0x0	-	R	
		3-0	CC0DMAEN[3:0]	0x0	H0	R/W	
0x4000 0418	T16B_0CCCTL1 (T16B Ch.0 Compare/ Capture 1 Control Register)	15	SCS	0	H0	R/W	
		14-12	CBUFMD[2:0]	0x0	H0	R/W	
		11-10	CAPIS[1:0]	0x0	H0	R/W	
		9-8	CAPTRG[1:0]	0x0	H0	R/W	
		7	-	0	-	R	
		6	TOUTMT	0	H0	R/W	
		5	TOUTO	0	H0	R/W	
		4-2	TOUTMD[2:0]	0x0	H0	R/W	
		1	TOUTINV	0	H0	R/W	
0	CCMD	0	H0	R/W			
0x4000 041a	T16B_0CCR1 (T16B Ch.0 Compare/ Capture 1 Data Register)	15-0	CC[15:0]	0x0000	H0	R/W	
0x4000 041c	T16B_0CC1DMAEN (T16B Ch.0 Compare/ Capture 1 DMA Request Enable Register)	15-8	-	0x00	-	R	
		7-4	-	0x0	-	R	
		3-0	CC1DMAEN[3:0]	0x0	H0	R/W	

0x4000 0440-0x4000 045c

16-bit PWM Timer (T16B) Ch.1

Address	Register name	Bit	Bit name	Initial	Reset	R/W	Remarks
0x4000 0440	T16B_1CLK (T16B Ch.1 Clock Control Register)	15-9	-	0x00	-	R	
		8	DBRUN	0	H0	R/W	
		7-4	CLKDIV[3:0]	0x0	H0	R/W	
		3	-	0	-	R	
		2-0	CLKSRC[2:0]	0x0	H0	R/W	

APPENDIX A LIST OF PERIPHERAL CIRCUIT CONTROL REGISTERS

Address	Register name	Bit	Bit name	Initial	Reset	R/W	Remarks
0x4000 0442	T16B_1CTL (T16B Ch.1 Counter Control Register)	15-9	-	0x00	-	R	
		8	MAXBSY	0	H0	R	
		7-6	-	0x0	-	R	
		5-4	CNTMD[1:0]	0x0	H0	R/W	
		3	ONEST	0	H0	R/W	
		2	RUN	0	H0	R/W	
		1	PRESET	0	H0	R/W	
0	MODEN	0	H0	R/W			
0x4000 0444	T16B_1MC (T16B Ch.1 Max Counter Data Register)	15-0	MC[15:0]	0xffff	H0	R/W	-
0x4000 0446	T16B_1TC (T16B Ch.1 Timer Counter Data Register)	15-0	TC[15:0]	0x0000	H0	R	-
0x4000 0448	T16B_1CS (T16B Ch.1 Counter Status Register)	15-8	-	0x00	-	R	
		7-4	-	0x0	-	R	
		3	CAPI1	0	H0	R	
		2	CAPI0	0	H0	R	
		1	UP_DOWN	1	H0	R	
0	BSY	0	H0	R			
0x4000 044a	T16B_1INTF (T16B Ch.1 Interrupt Flag Register)	15-8	-	0x00	-	R	
		7-6	-	0x0	-	R	
		5	CAPOW1IF	0	H0	R/W	
		4	CMPCAP1IF	0	H0	R/W	
		3	CAPOW0IF	0	H0	R/W	
		2	CMPCAP0IF	0	H0	R/W	
		1	CNTMAXIF	0	H0	R/W	
0	CNTZEROIF	0	H0	R/W			
0x4000 044c	T16B_1INTE (T16B Ch.1 Interrupt Enable Register)	15-8	-	0x0	-	R	
		7-6	-	0x0	-	R	
		5	CAPOW1IE	0	H0	R/W	
		4	CMPCAP1IE	0	H0	R/W	
		3	CAPOW0IE	0	H0	R/W	
		2	CMPCAP0IE	0	H0	R/W	
		1	CNTMAXIE	0	H0	R/W	
0	CNTZEROIE	0	H0	R/W			
0x4000 044e	T16B_1MZDMAEN (T16B Ch.1 Counter Max/Zero DMA Request Enable Register)	15-8	-	0x00	-	R	
		7-4	-	0x0	-	R	
		3-0	MZDMAEN[3:0]	0x0	H0	R/W	
0x4000 0450	T16B_1CCCTL0 (T16B Ch.1 Compare/ Capture 0 Control Register)	15	SCS	0	H0	R/W	
		14-12	CBUFMD[2:0]	0x0	H0	R/W	
		11-10	CAPIS[1:0]	0x0	H0	R/W	
		9-8	CAPTRG[1:0]	0x0	H0	R/W	
		7	-	0	-	R	
		6	TOUTMT	0	H0	R/W	
		5	TOUTO	0	H0	R/W	
		4-2	TOUTMD[2:0]	0x0	H0	R/W	
1	TOUTINV	0	H0	R/W			
0	CCMD	0	H0	R/W			
0x4000 0452	T16B_1CCR0 (T16B Ch.1 Compare/ Capture 0 Data Register)	15-0	CC[15:0]	0x0000	H0	R/W	-
0x4000 0454	T16B_1CC0DMAEN (T16B Ch.1 Compare/ Capture 0 DMA Request Enable Register)	15-8	-	0x00	-	R	
		7-4	-	0x0	-	R	
		3-0	CC0DMAEN[3:0]	0x0	H0	R/W	

APPENDIX A LIST OF PERIPHERAL CIRCUIT CONTROL REGISTERS

Address	Register name	Bit	Bit name	Initial	Reset	R/W	Remarks
0x4000 0458	T16B_1CCCTL1 (T16B Ch.1 Compare/ Capture 1 Control Register)	15	SCS	0	H0	R/W	-
		14–12	CBUFMD[2:0]	0x0	H0	R/W	
		11–10	CAPIS[1:0]	0x0	H0	R/W	
		9–8	CAPTRG[1:0]	0x0	H0	R/W	
		7	-	0	-	R	
		6	TOUTMT	0	H0	R/W	
		5	TOUTO	0	H0	R/W	
		4–2	TOUTMD[2:0]	0x0	H0	R/W	
0x4000 045a	T16B_1CCR1 (T16B Ch.1 Compare/ Capture 1 Data Register)	15–0	CC[15:0]	0x0000	H0	R/W	-
		0	CCMD	0	H0	R/W	
0x4000 045c	T16B_1CC1DMAEN (T16B Ch.1 Compare/ Capture 1 DMA Request Enable Register)	15–8	-	0x00	-	R	-
		7–4	-	0x0	-	R	
		3–0	CC1DMAEN[3:0]	0x0	H0	R/W	

0x4000 0480–0x4000 048c

16-bit Timer (T16) Ch.3

Address	Register name	Bit	Bit name	Initial	Reset	R/W	Remarks
0x4000 0480	T16_3CLK (T16 Ch.3 Clock Control Register)	15–9	-	0x00	-	R	-
		8	DBRUN	0	H0	R/W	
		7–4	CLKDIV[3:0]	0x0	H0	R/W	
		3–2	-	0x0	-	R	
0x4000 0482	T16_3MOD (T16 Ch.3 Mode Register)	1–0	CLKSRC[1:0]	0x0	H0	R/W	-
		15–8	-	0x00	-	R	
		7–1	-	0x00	-	R	
0x4000 0484	T16_3CTL (T16 Ch.3 Control Register)	0	TRMD	0	H0	R/W	-
		15–9	-	0x00	-	R	
		8	PRUN	0	H0	R/W	
		7–2	-	0x00	-	R	
0x4000 048a	T16_3INTF (T16 Ch.3 Interrupt Flag Register)	1	PRESET	0	H0	R/W	-
		0	MODEN	0	H0	R/W	
		0	UFIF	0	H0	R/W	
0x4000 0486	T16_3TR (T16 Ch.3 Reload Data Register)	15–0	TR[15:0]	0xffff	H0	R/W	-
0x4000 0488	T16_3TC (T16 Ch.3 Counter Data Register)	15–0	TC[15:0]	0xffff	H0	R	-
0x4000 048c	T16_3INTE (T16 Ch.3 Interrupt Enable Register)	0	UFIE	0	H0	R/W	Cleared by writing 1.
		15–8	-	0x00	-	R	
		7–1	-	0x00	-	R	

0x4000 0600–0x4000 0612

UART (UART2) Ch.1

Address	Register name	Bit	Bit name	Initial	Reset	R/W	Remarks
0x4000 0600	UART2_1CLK (UART2 Ch.1 Clock Control Register)	15–9	-	0x00	-	R	-
		8	DBRUN	0	H0	R/W	
		7–6	-	0x0	-	R	
		5–4	CLKDIV[1:0]	0x0	H0	R/W	
		3–2	-	0x0	-	R	
		1–0	CLKSRC[1:0]	0x0	H0	R/W	

APPENDIX A LIST OF PERIPHERAL CIRCUIT CONTROL REGISTERS

Address	Register name	Bit	Bit name	Initial	Reset	R/W	Remarks	
0x4000 0602	UART2_1MOD (UART2 Ch.1 Mode Register)	15-11	-	0x00	-	R		
		10	BRDIV	0	H0	R/W		
		9	INVRX	0	H0	R/W		
		8	INVTX	0	H0	R/W		
		7	-	0	-	R		
		6	PUEN	0	H0	R/W		
		5	OUTMD	0	H0	R/W		
		4	IRMD	0	H0	R/W		
		3	CHLN	0	H0	R/W		
		2	PREN	0	H0	R/W		
1	PRMD	0	H0	R/W				
0	STPB	0	H0	R/W				
0x4000 0604	UART2_1BR (UART2 Ch.1 Baud-Rate Register)	15-12	-	0x0	-	R		
		11-8	FMD[3:0]	0x0	H0	R/W		
		7-0	BRT[7:0]	0x00	H0	R/W		
0x4000 0606	UART2_1CTL (UART2 Ch.1 Control Register)	15-8	-	0x00	-	R		
		7-2	-	0x00	-	R		
		1	SFTRST	0	H0	R/W		
0	MODEN	0	H0	R/W				
0x4000 0608	UART2_1TXD (UART2 Ch.1 Transmit Data Register)	15-8	-	0x00	-	R		
		7-0	TXD[7:0]	0x00	H0	R/W		
0x4000 060a	UART2_1RXD (UART2 Ch.1 Receive Data Register)	15-8	-	0x00	-	R		
		7-0	RXD[7:0]	0x00	H0	R		
0x4000 060c	UART2_1INTF (UART2 Ch.1 Status and Interrupt Flag Register)	15-10	-	0x00	-	R		
		9	RBSY	0	H0/S0	R		
		8	TBSY	0	H0/S0	R		
		7	-	0	-	R		
		6	TENDIF	0	H0/S0	R/W		Cleared by writing 1.
		5	FEIF	0	H0/S0	R/W		Cleared by writing 1 or reading the UART2_1RXD register.
		4	PEIF	0	H0/S0	R/W		
		3	OEIF	0	H0/S0	R/W		Cleared by writing 1.
		2	RB2FIF	0	H0/S0	R		Cleared by reading the UART2_1RXD register.
1	RB1FIF	0	H0/S0	R				
0	TBEIF	1	H0/S0	R	Cleared by writing to the UART2_1TXD register.			
0x4000 060e	UART2_1INTE (UART2 Ch.1 Interrupt Enable Register)	15-8	-	0x00	-	R		
		7	-	0	-	R		
		6	TENDIE	0	H0	R/W		
		5	FEIE	0	H0	R/W		
		4	PEIE	0	H0	R/W		
		3	OEIE	0	H0	R/W		
		2	RB2FIE	0	H0	R/W		
		1	RB1FIE	0	H0	R/W		
0	TBEIE	0	H0	R/W				
0x4000 0610	UART2_1TBEDMAEN (UART2 Ch.1 Transmit Buffer Empty DMA Request Enable Register)	15-8	-	0x00	-	R		
		7-4	-	0x0	-	R		
		3-0	TBEDMAEN[3:0]	0x0	H0	R/W		
0x4000 0612	UART2_1RB1FDMAEN (UART2 Ch.1 Receive Buffer One Byte Full DMA Request Enable Register)	15-8	-	0x00	-	R		
		7-4	-	0x0	-	R		
		3-0	RB1FDMAEN[3:0]	0x0	H0	R/W		

0x4000 0680–0x4000 068c**16-bit Timer (T16) Ch.2**

Address	Register name	Bit	Bit name	Initial	Reset	R/W	Remarks
0x4000 0680	T16_2CLK (T16 Ch.2 Clock Control Register)	15–9	–	0x00	–	R	–
		8	DBRUN	0	H0	R/W	
		7–4	CLKDIV[3:0]	0x0	H0	R/W	
		3–2	–	0x0	–	R	
0x4000 0682	T16_2MOD (T16 Ch.2 Mode Register)	1–0	CLKSRC[1:0]	0x0	H0	R/W	–
		15–8	–	0x00	–	R	
		7–1	–	0x00	–	R	
0x4000 0684	T16_2CTL (T16 Ch.2 Control Register)	0	TRMD	0	H0	R/W	–
		15–9	–	0x00	–	R	
		8	PRUN	0	H0	R/W	
		7–2	–	0x00	–	R	
0x4000 0686	T16_2TR (T16 Ch.2 Reload Data Register)	1	PRESET	0	H0	R/W	–
		0	MODEN	0	H0	R/W	
		15–0	TR[15:0]	0xffff	H0	R/W	
		15–0	TC[15:0]	0xffff	H0	R	
0x4000 0688	T16_2TC (T16 Ch.2 Counter Data Register)	15–8	–	0x00	–	R	–
		7–1	–	0x00	–	R	
		0	UFIF	0	H0	R/W	
0x4000 068a	T16_2INTF (T16 Ch.2 Interrupt Flag Register)	15–8	–	0x00	–	R	–
		7–1	–	0x00	–	R	
		0	UFIF	0	H0	R/W	
0x4000 068c	T16_2INTE (T16 Ch.2 Interrupt Enable Register)	15–8	–	0x00	–	R	–
		7–1	–	0x00	–	R	
		0	UFIE	0	H0	R/W	

0x4000 0690–0x4000 06a8**Quad Synchronous Serial Interface (QSPI) Ch.0**

Address	Register name	Bit	Bit name	Initial	Reset	R/W	Remarks
0x4000 0690	QSPI_0MOD (QSPI Ch.0 Mode Register)	15–12	CHDL[3:0]	0x7	H0	R/W	–
		11–8	CHLN[3:0]	0x7	H0	R/W	
		7–6	TMOD[1:0]	0x0	H0	R/W	
		5	PUEN	0	H0	R/W	
		4	NOCLKDIV	0	H0	R/W	
		3	LSBFST	0	H0	R/W	
		2	CPHA	0	H0	R/W	
		1	CPOL	0	H0	R/W	
0x4000 0692	QSPI_0CTL (QSPI Ch.0 Control Register)	0	MST	0	H0	R/W	–
		15–8	–	0x00	–	R	
		7–4	–	0x0	–	R	
		3	DIR	0	H0	R/W	
		2	MSTSSO	1	H0	R/W	
0x4000 0694	QSPI_0TXD (QSPI Ch.0 Transmit Data Register)	1	SFTRST	0	H0	R/W	–
		0	MODEN	0	H0	R/W	
		15–0	TXD[15:0]	0x0000	H0	R/W	
0x4000 0696	QSPI_0RXD (QSPI Ch.0 Receive Data Register)	15–0	RXD[15:0]	0x0000	H0	R	–

APPENDIX A LIST OF PERIPHERAL CIRCUIT CONTROL REGISTERS

Address	Register name	Bit	Bit name	Initial	Reset	R/W	Remarks	
0x4000 0698	QSPI_OINTF (QSPI Ch.0 Interrupt Flag Register)	15–8	–	0x00	–	R	–	
		7	BSY	0	H0	R		
		6	MMABSY	0	H0	R		
		5–4	–	0x0	–	R		
		3	OEIF	0	H0/S0	R/W		Cleared by writing 1.
		2	TENDIF	0	H0/S0	R/W		
		1	RBFIF	0	H0/S0	R		Cleared by reading the QSPI_0RXD register.
		0	TBEIF	1	H0/S0	R	Cleared by writing to the QSPI_0TXD register.	
0x4000 069a	QSPI_OINTE (QSPI Ch.0 Interrupt Enable Register)	15–8	–	0x00	–	R	–	
		7–4	–	0x0	–	R		
		3	OEIE	0	H0	R/W		
		2	TENDIE	0	H0	R/W		
		1	RBFIE	0	H0	R/W		
		0	TBEIE	0	H0	R/W		
0x4000 069c	QSPI_0TBEDMAEN (QSPI Ch.0 Transmit Buffer Empty DMA Request Enable Register)	15–8	–	0x00	–	R	–	
		7–4	–	0x0	–	R		
		3–0	TBEDMAEN[3:0]	0x0	H0	R/W		
0x4000 069e	QSPI_0RBFDMAEN (QSPI Ch.0 Receive Buffer Full DMA Request Enable Register)	15–8	–	0x00	–	R	–	
		7–4	–	0x0	–	R		
		3–0	RBFDMAEN[3:0]	0x0	H0	R/W		
0x4000 06a0	QSPI_0FRLDMAEN (QSPI Ch.0 FIFO Data Ready DMA Request Enable Register)	15–8	–	0x00	–	R	–	
		7–4	–	0x0	–	R		
		3–0	FRLDMAEN[3:0]	0x0	H0	R/W		
0x4000 06a2	QSPI_0MMACFG1 (QSPI Ch.0 Memory Mapped Access Con- figuration Register 1)	15–8	–	0x00	–	R	–	
		7–4	–	0x0	–	R		
		3–0	TCSH[3:0]	0x0	H0	R/W		
0x4000 06a4	QSPI_0RMADRH (QSPI Ch.0 Remap- ping Start Address High Register)	15–4	RMADR[31:20]	0x000	H0	R/W	–	
		3-0	–	0x0	–	R		
0x4000 06a6	QSPI_0MMACFG2 (QSPI Ch.0 Memory Mapped Access Con- figuration Register 2)	15–12	DUMDL[3:0]	0x0	H0	R/W	–	
		11–8	DUMLN[3:0]	0x0	H0	R/W		
		7–6	DATTMOD[1:0]	0x0	H0	R/W		
		5–4	DUMTMOD[1:0]	0x0	H0	R/W		
		3–2	ADRTMOD[1:0]	0x0	H0	R/W		
		1	ADRCYC	0	H0	R/W		
		0	MMAEN	0	H0	R/W		
0x4000 06a8	QSPI_0MB (QSPI Ch.0 Mode Byte Register)	15–8	XIPACT[7:0]	0x00	H0	R/W	–	
		7–0	XIPEXT[7:0]	0x00	H0	R/W		

0x4000 06c0–0x4000 06d6

I²C (I2C) Ch.1

Address	Register name	Bit	Bit name	Initial	Reset	R/W	Remarks
0x4000 06c0	I2C_1CLK (I2C Ch.1 Clock Control Register)	15–9	–	0x00	–	R	–
		8	DBRUN	0	H0	R/W	
		7–6	–	0x0	–	R	
		5–4	CLKDIV[1:0]	0x0	H0	R/W	
		3–2	–	0x0	–	R	
		1–0	CLKSRC[1:0]	0x0	H0	R/W	

APPENDIX A LIST OF PERIPHERAL CIRCUIT CONTROL REGISTERS

Address	Register name	Bit	Bit name	Initial	Reset	R/W	Remarks
0x4000 06c2	I2C_1MOD (I2C Ch.1 Mode Register)	15-8	-	0x00	-	R	
		7-3	-	0x00	-	R	
		2	OADR10	0	H0	R/W	
		1	GCEN	0	H0	R/W	
0x4000 06c4	I2C_1BR (I2C Ch.1 Baud-Rate Register)	0	-	0	-	R	
		15-8	-	0x00	-	R	
		7	-	0	-	R	
0x4000 06c8	I2C_1OADR (I2C Ch.1 Own Address Register)	6-0	BRT[6:0]	0x7f	H0	R/W	
		15-10	-	0x00	-	R	
0x4000 06ca	I2C_1CTL (I2C Ch.1 Control Register)	9-0	OADR[9:0]	0x000	H0	R/W	
		15-8	-	0x00	-	R	
		7-6	-	0x0	-	R	
		5	MST	0	H0	R/W	
		4	TXNACK	0	H0/S0	R/W	
		3	TXSTOP	0	H0/S0	R/W	
		2	TXSTART	0	H0/S0	R/W	
		1	SFTRST	0	H0	R/W	
0x4000 06cc	I2C_1TXD (I2C Ch.1 Transmit Data Register)	0	MODEN	0	H0	R/W	
		15-8	-	0x00	-	R	
0x4000 06ce	I2C_1RXD (I2C Ch.1 Receive Data Register)	7-0	TXD[7:0]	0x00	H0	R/W	
		15-8	-	0x00	-	R	
0x4000 06d0	I2C_1INTF (I2C Ch.1 Status and Interrupt Flag Register)	7-0	RXD[7:0]	0x00	H0	R	
		15-13	-	0x0	-	R	
		12	SDALOW	0	H0	R	
		11	SCLLOW	0	H0	R	
		10	BSY	0	H0/S0	R	
		9	TR	0	H0	R	
		8	-	0	-	R	
		7	BYTEENDIF	0	H0/S0	R/W	
		6	GCIF	0	H0/S0	R/W	
		5	NACKIF	0	H0/S0	R/W	
		4	STOPIF	0	H0/S0	R/W	
		3	STARTIF	0	H0/S0	R/W	
		2	ERRIF	0	H0/S0	R/W	
1	RBFIF	0	H0/S0	R			
0	TBEIF	0	H0/S0	R			
0x4000 06d2	I2C_1INTE (I2C Ch.1 Interrupt Enable Register)	0	TBEIF	0	H0/S0	R	Cleared by reading the I2C_1RXD register.
		15-8	-	0x00	-	R	
		7	BYTEENDIE	0	H0	R/W	
		6	GCIE	0	H0	R/W	
		5	NACKIE	0	H0	R/W	
		4	STOPIE	0	H0	R/W	
		3	STARTIE	0	H0	R/W	
		2	ERRIE	0	H0	R/W	
1	RBFIE	0	H0	R/W			
0x4000 06d4	I2C_1TBEDMAEN (I2C Ch.1 Transmit Buffer Empty DMA Request Enable Register)	0	TBEIE	0	H0	R/W	
		15-8	-	0x00	-	R	
		7-4	-	0x0	-	R	
0x4000 06d6	I2C_1RBFDMAEN (I2C Ch.1 Receive Buffer Full DMA Request Enable Register)	3-0	TBEDMAEN[3:0]	0x0	H0	R/W	
		15-8	-	0x00	-	R	
0x4000 06d6	I2C_1RBFDMAEN (I2C Ch.1 Receive Buffer Full DMA Request Enable Register)	7-4	-	0x0	-	R	
		3-0	RBFDMAEN[3:0]	0x0	H0	R/W	

APPENDIX A LIST OF PERIPHERAL CIRCUIT CONTROL REGISTERS
0x4000 0700–0x4000 070c
Sound Generator (SNDA)

Address	Register name	Bit	Bit name	Initial	Reset	R/W	Remarks
0x4000 0700	SNDACLK (SNDA Clock Control Register)	15–9	–	0x00	–	R	–
		8	DBRUN	0	H0	R/W	
		7	–	0	–	R	
		6–4	CLKDIV[2:0]	0x0	H0	R/W	
		3–2	–	0x0	–	R	
		1–0	CLKSRC[1:0]	0x0	H0	R/W	
0x4000 0702	SNDASEL (SNDA Select Register)	15–12	–	0x0	–	R	–
		11–8	STIM[3:0]	0x0	H0	R/W	
		7–3	–	0x00	–	R	
		2	SINV	0	H0	R/W	
		1–0	MOSEL[1:0]	0x0	H0	R/W	
0x4000 0704	SNDACTL (SNDA Control Register)	15–9	–	0x00	–	R	–
		8	SSTP	0	H0	R/W	
		7–1	–	0x00	–	R	
		0	MODEN	0	H0	R/W	
0x4000 0706	SNDADAT (SNDA Data Register)	15	MDTI	0	H0	R/W	–
		14	MDRS	0	H0	R/W	
		13–8	SLEN[5:0]	0x00	H0	R/W	
		7–0	SFRQ[7:0]	0xff	H0	R/W	
0x4000 0708	SNDAINTF (SNDA Interrupt Flag Register)	15–9	–	0x00	–	R	–
		8	SBSY	0	H0	R	
		7–2	–	0x00	–	R	
		1	EMIF	1	H0	R	Cleared by writing to the SNDADAT register.
		0	EDIF	0	H0	R/W	Cleared by writing 1 or writing to the SNDADAT register.
0x4000 070a	SNDAINTE (SNDA Interrupt Enable Register)	15–8	–	0x00	–	R	–
		7–2	–	0x00	–	R	
		1	EMIE	0	H0	R/W	
		0	EDIE	0	H0	R/W	
0x4000 070c	SND AEMDMAEN (SNDA Sound Buffer Empty DMA Request Enable Register)	15–8	–	0x00	–	R	–
		7–4	–	0x0	–	R	
		3–0	EMDMAEN[3:0]	0x0	H0	R/W	

0x4000 0720–0x4000 0732
IR Remote Controller (REMC2)

Address	Register name	Bit	Bit name	Initial	Reset	R/W	Remarks	
0x4000 0720	REMC2CLK (REMC2 Clock Control Register)	15–9	–	0x00	–	R	–	
		8	DBRUN	0	H0	R/W		
		7–4	CLKDIV[3:0]	0x0	H0	R/W		
		3–2	–	0x0	–	R		
		1–0	CLKSRC[1:0]	0x0	H0	R/W		
0x4000 0722	REMC2DBCTL (REMC2 Data Bit Counter Control Register)	15–10	–	0x00	–	R	–	
		9	PRESET	0	H0/S0	R/W		Cleared by writing 1 to the REMC2DBCTL.REMCRST bit.
		8	PRUN	0	H0/S0	R/W		
		7–5	–	0x0	–	R		–
		4	REMOINV	0	H0	R/W		
		3	BUFEN	0	H0	R/W		
		2	TRMD	0	H0	R/W		
		1	REMC2RST	0	H0	W		
0	MODEN	0	H0	R/W				
0x4000 0724	REMC2DBCNT (REMC2 Data Bit Counter Register)	15–0	DBCNT[15:0]	0x0000	H0/S0	R	Cleared by writing 1 to the REMC2DBCTL.REMCRST bit.	

APPENDIX A LIST OF PERIPHERAL CIRCUIT CONTROL REGISTERS

Address	Register name	Bit	Bit name	Initial	Reset	R/W	Remarks	
0x4000 0726	REMC2APLEN (REMC2 Data Bit Active Pulse Length Register)	15-0	APLEN[15:0]	0x0000	H0	R/W	Writing enabled when REMC2DBCTL.MODEN bit = 1.	
0x4000 0728	REMC2DBLEN (REMC2 Data Bit Length Register)	15-0	DBLEN[15:0]	0x0000	H0	R/W	Writing enabled when REMC2DBCTL.MODEN bit = 1.	
0x4000 072a	REMC2INTF (REMC2 Status and Interrupt Flag Register)	15-11	-	0x00	-	R	-	
		10	DBCNTRUN	0	H0/S0	R	Cleared by writing 1 to the REMC2DBCTL.REMCRST bit.	
		9	DBLENBSY	0	H0	R	Effective when the REMC2DBCTL.BUFEN bit = 1.	
		8	APLENBSY	0	H0	R		
		7-2	-	0x00	-	R	-	
		1	DBIF	0	H0/S0	R/W	Cleared by writing 1 to this bit or the REMC2DBCTL.REMCRST bit.	
0x4000 072c	REMC2INTE (REMC2 Interrupt Enable Register)	0	APIF	0	H0/S0	R/W		
		15-8	-	0x00	-	R	-	
		7-2	-	0x00	-	R	-	
		1	DBIE	0	H0	R/W		
0x4000 0730	REMC2CARR (REMC2 Carrier Waveform Register)	0	APIE	0	H0	R/W		
		15-8	CRDITY[7:0]	0x00	H0	R/W	-	
0x4000 0732	REMC2CCTL (REMC2 Carrier Modulation Control Register)	7-0	CRPER[7:0]	0x00	H0	R/W	-	
		15-8	-	0x00	-	R	-	
		7-1	-	0x00	-	R	-	
0x4000 0800	LCD32BCLK (LCD32B Clock Control Register)	0	CARREN	0	H0	R/W		
		15-9	-	0x00	-	R	-	
		8	DBRUN	1	H0	R/W		
		7	-	0	-	R		
		6-4	CLKDIV[2:0]	0x0	H0	R/W		
		3-2	-	0x0	-	R		
	0x4000 0802	LCD32BCTL (LCD32B Control Register)	1-0	CLKSRC[1:0]	0x0	H0	R/W	
			15-8	-	0x00	-	R	-
7-2			-	0x00	-	R	-	
1			LCDDIS	0	H0	R/W		
0x4000 0804	LCD32BTIM1 (LCD32B Timing Control Register 1)	0	MODEN	0	H0	R/W		
		15-13	-	0x0	-	R	-	
		12-8	FRMCNT[4:0]	0x01	H0	R/W		
		7-5	-	0x0	-	R		
0x4000 0806	LCD32BTIM2 (LCD32B Timing Control Register 2)	4-0	LDUTY[4:0]	0x1f	H0	R/W		
		15-10	-	0x00	-	R	-	
		9-8	BSTC[1:0]	0x1	H0	R/W		
		7-5	-	0x0	-	R		
0x4000 0808	LCD32BPWR (LCD32B Power Control Register)	4-0	NLINE[4:0]	0x00	H0	R/W		
		15	EXVCSEL	1	H0	R/W	-	
		14-12	-	0x0	-	R		
		11-8	LC[3:0]	0x0	H0	R/W		
		7-5	-	0x0	-	R		
		4	BSTEN	0	H0	R/W		
		3	BIASSEL	0	H0	R/W		
		2	HVLD	0	H0	R/W		
1	-	0	-	R				
0	VCEN	0	H0	R/W				

0x4000 0800-0x4000 0812

LCD Driver (LCD32B)

Address	Register name	Bit	Bit name	Initial	Reset	R/W	Remarks
0x4000 0800	LCD32BCLK (LCD32B Clock Control Register)	15-9	-	0x00	-	R	-
		8	DBRUN	1	H0	R/W	
		7	-	0	-	R	
		6-4	CLKDIV[2:0]	0x0	H0	R/W	
		3-2	-	0x0	-	R	
		1-0	CLKSRC[1:0]	0x0	H0	R/W	
0x4000 0802	LCD32BCTL (LCD32B Control Register)	15-8	-	0x00	-	R	-
		7-2	-	0x00	-	R	-
		1	LCDDIS	0	H0	R/W	
		0	MODEN	0	H0	R/W	
0x4000 0804	LCD32BTIM1 (LCD32B Timing Control Register 1)	15-13	-	0x0	-	R	-
		12-8	FRMCNT[4:0]	0x01	H0	R/W	
		7-5	-	0x0	-	R	
		4-0	LDUTY[4:0]	0x1f	H0	R/W	
0x4000 0806	LCD32BTIM2 (LCD32B Timing Control Register 2)	15-10	-	0x00	-	R	-
		9-8	BSTC[1:0]	0x1	H0	R/W	
		7-5	-	0x0	-	R	
		4-0	NLINE[4:0]	0x00	H0	R/W	
0x4000 0808	LCD32BPWR (LCD32B Power Control Register)	15	EXVCSEL	1	H0	R/W	-
		14-12	-	0x0	-	R	
		11-8	LC[3:0]	0x0	H0	R/W	
		7-5	-	0x0	-	R	
		4	BSTEN	0	H0	R/W	
		3	BIASSEL	0	H0	R/W	
		2	HVLD	0	H0	R/W	
		1	-	0	-	R	
0	VCEN	0	H0	R/W			

APPENDIX A LIST OF PERIPHERAL CIRCUIT CONTROL REGISTERS

Address	Register name	Bit	Bit name	Initial	Reset	R/W	Remarks
0x4000 080a	LCD32BDSP (LCD32B Display Control Register)	15-8	-	0x00	-	R	-
		7	-	0	-	R	
		6	SEGREV	1	H0	R/W	
		5	COMREV	1	H0	R/W	
		4	DSPREV	1	H0	R/W	
		3	-	0	-	R	
		2	DSPAR	0	H0	R/W	
1-0	DSPC[1:0]	0x0	H0	R/W			
0x4000 080c	LCD32BCOMC0 (LCD32B COM Pin Control Register 0)	15	COM15DEN	1	H0	R/W	-
		14	COM14DEN	1	H0	R/W	
		13	COM13DEN	1	H0	R/W	
		12	COM12DEN	1	H0	R/W	
		11	COM11DEN	1	H0	R/W	
		10	COM10DEN	1	H0	R/W	
		9	COM9DEN	1	H0	R/W	
		8	COM8DEN	1	H0	R/W	
		7	COM7DEN	1	H0	R/W	
		6	COM6DEN	1	H0	R/W	
		5	COM5DEN	1	H0	R/W	
		4	COM4DEN	1	H0	R/W	
		3	COM3DEN	1	H0	R/W	
		2	COM2DEN	1	H0	R/W	
1	COM1DEN	1	H0	R/W			
0	COM0DEN	1	H0	R/W			
0x4000 080e	LCD32BCOMC1 (LCD32B COM Pin Control Register 1)	15	COM31DEN	1	H0	R/W	-
		14	COM30DEN	1	H0	R/W	
		13	COM29DEN	1	H0	R/W	
		12	COM28DEN	1	H0	R/W	
		11	COM27DEN	1	H0	R/W	
		10	COM26DEN	1	H0	R/W	
		9	COM25DEN	1	H0	R/W	
		8	COM24DEN	1	H0	R/W	
		7	COM23DEN	1	H0	R/W	
		6	COM22DEN	1	H0	R/W	
		5	COM21DEN	1	H0	R/W	
		4	COM20DEN	1	H0	R/W	
		3	COM19DEN	1	H0	R/W	
		2	COM18DEN	1	H0	R/W	
1	COM17DEN	1	H0	R/W			
0	COM16DEN	1	H0	R/W			
0x4000 0810	LCD32BINTF (LCD32B Interrupt Flag Register)	15-8	-	0x00	-	R	-
		7-1	-	0x00	-	R	
		0	FRMIF	0	H0	R/W	
0x4000 0812	LCD32BINTE (LCD32B Interrupt Enable Register)	15-8	-	0x00	-	R	-
		7-1	-	0x00	-	R	
		0	FRMIE	0	H0	R/W	

0x4000 0840-0x4000 0850

R/F Converter (RFC) Ch.0

Address	Register name	Bit	Bit name	Initial	Reset	R/W	Remarks
0x4000 0840	RFC_0CLK (RFC Ch.0 Clock Control Register)	15-9	-	0x00	-	R	-
		8	DBRUN	1	H0	R/W	
		7-6	-	0x0	-	R	
		5-4	CLKDIV[1:0]	0x0	H0	R/W	
		3-2	-	0x0	-	R	
		1-0	CLKSRC[1:0]	0x0	H0	R/W	

APPENDIX A LIST OF PERIPHERAL CIRCUIT CONTROL REGISTERS

Address	Register name	Bit	Bit name	Initial	Reset	R/W	Remarks
0x4000 0842	RFC_OCTL (RFC Ch.0 Control Register)	15-9	-	0x00	-	R	-
		8	RFCLKMD	0	H0	R/W	
		7	CONEN	0	H0	R/W	
		6	EVTEN	0	H0	R/W	
		5-4	SMODE[1:0]	0x0	H0	R/W	
		3-1	-	0x0	-	R	
0x4000 0844	RFC_OTRG (RFC Ch.0 Oscillation Trigger Register)	15-8	-	0x00	-	R	-
		7-3	-	0x00	-	R	
		2	SSENB	0	H0	R/W	
		1	SSENA	0	H0	R/W	
		0	SREF	0	H0	R/W	
0x4000 0846	RFC_OMCL (RFC Ch.0 Measurement Counter Low Register)	15-0	MC[15:0]	0x0000	H0	R/W	-
0x4000 0848	RFC_OMCH (RFC Ch.0 Measurement Counter High Register)	15-8	-	0x00	-	R	-
		7-0	MC[23:16]	0x00	H0	R/W	
0x4000 084a	RFC_OTCL (RFC Ch.0 Time Base Counter Low Register)	15-0	TC[15:0]	0x0000	H0	R/W	-
0x4000 084c	RFC_OTCH (RFC Ch.0 Time Base Counter High Register)	15-8	-	0x00	-	R	-
		7-0	TC[23:16]	0x00	H0	R/W	
0x4000 084e	RFC_OINTF (RFC Ch.0 Interrupt Flag Register)	15-8	-	0x00	-	R	-
		7-5	-	0x0	-	R	
		4	OVTCIF	0	H0	R/W	
		3	OVMCIF	0	H0	R/W	
		2	ESENBIF	0	H0	R/W	
		1	ESENAIF	0	H0	R/W	
0x4000 0850	RFC_OINTE (RFC Ch.0 Interrupt Enable Register)	15-8	-	0x00	-	R	-
		7-5	-	0x0	-	R	
		4	OVTICIE	0	H0	R/W	
		3	OVMCIE	0	H0	R/W	
		2	ESENBIE	0	H0	R/W	
		1	ESENAIE	0	H0	R/W	
		0	EREFIE	0	H0	R/W	

0x2040 0000-0x2040 0104, 0x4000 0970-0x4000 0976 USB 2.0 FS Device Controller (USB, USBMISC)

Address	Register name	Bit	Bit name	Initial	Reset	R/W	Remarks
0x2040 0002	USBCTL (USB Control Register)	7	BUSDETDIS	0	H0/S0	R/W	-
		6	AUTONEGOEN	0	H0/S0	R/W	
		5	NONJDETEN	0	H0/S0	R/W	
		4	JDETEN	0	H0/S0	R/W	
		3	WAKEUP	0	H0/S0	R/W	
		2-1	-	0x0	-	R	
		0	USBEN	0	H0/S0	R/W	
0x2040 0003	USBTRCTL (USB Transceiver Control Register)	7	DPPUEN	0	H0/S0	R/W	-
		6-2	-	0x00	-	R	
		1-0	OPMOD[1:0]	0x1	H0/S0	R/W	
0x2040 0004	USBSTAT (USB Status Register)	7	VBUSSTAT	X	-	R	-
		6	FSMOD	X	-	R	
		5-2	-	X	-	R	
		1-0	LINESTAT[1:0]	X	-	R	

APPENDIX A LIST OF PERIPHERAL CIRCUIT CONTROL REGISTERS

Address	Register name	Bit	Bit name	Initial	Reset	R/W	Remarks
0x2040 0008	USBEPCTL (USB Endpoint Control Register)	7	EPNFINAKSET	0	H0/S0	R/W	-
		6	EPMFSTALLSET	0	H0/S0	R/W	
		5	EPNFIFOCLR	0	H0/S0	R/W	
		4-1	-	0x0	-	R	
0x2040 0009	USBGPEPFIFOCLR (USB General-Purpose Endpoint FIFO Clear Register)	7-3	-	0x00	-	R	-
		2	EPCFIFOCLR	0	H0/S0	R/W	
		1	EPBFIFOCLR	0	H0/S0	R/W	
		0	EPAFIFOCLR	0	H0/S0	R/W	
0x2040 000a	USBFIFORDCYC (USB FIFO Read Cycle Setup Register)	7-2	-	0x00	-	R	-
		1-0	RDCYC[1:0]	0x3	H0/S0	R/W	
0x2040 000e	USBREV (USB Revision Number Register)	7-0	REVNUM[7:0]	0x12	H0/S0	R	-
0x2040 0010	USBEP0SETUP0 (USB EP0 Setup Data Register 0)	7-0	BMREQTYP[7:0]	0x00	-	R	-
0x2040 0011	USBEP0SETUP1 (USB EP0 Setup Data Register 1)	7-0	BREQ[7:0]	0x00	-	R	-
0x2040 0012	USBEP0SETUP2 (USB EP0 Setup Data Register 2)	7-0	WVAL[7:0]	0x00	-	R	-
0x2040 0013	USBEP0SETUP3 (USB EP0 Setup Data Register 3)	7-0	WVAL[15:8]	0x00	-	R	-
0x2040 0014	USBEP0SETUP4 (USB EP0 Setup Data Register 4)	7-0	WINDX[7:0]	0x00	-	R	-
0x2040 0015	USBEP0SETUP5 (USB EP0 Setup Data Register 5)	7-0	WINDX[15:8]	0x00	-	R	-
0x2040 0016	USBEP0SETUP6 (USB EP0 Setup Data Register 6)	7-0	WLEN[7:0]	0x00	-	R	-
0x2040 0017	USBEP0SETUP7 (USB EP0 Setup Data Register 7)	7-0	WLEN[15:8]	0x00	-	R	-
0x2040 0018	USBADDR (USB Address Register)	7	ATADDR	0	-	R/W	-
		6-0	USBADDR[6:0]	0x00	H0/S0	R/W	
0x2040 001a	USBEP0CFG (USB EP0 Configuration Register)	7	DIR	0	H0/S0	R/W	-
		6-0	-	0x00	-	R	
0x2040 001b	USBEP0SIZE (USB EP0 Maximum Packet Size Register)	7	-	0	-	R	-
		6-3	MAXSIZE[3:0]	0x1	H0/S0	R/W	
		2-0	-	0x0	-	R	
0x2040 001c	USBEP0ICTL (USB EP0 IN Transaction Control Register)	7	-	0	-	R	Read as 0.
		6	SPKTEN	0	H0/S0	R/W	
		5	-	0	-	R	
		4	TGLSTAT	0	H0/S0	R	
		3	TGLSET	0	H0/S0	W	
		2	TGLCLR	0	H0/S0	W	
		1	FNAK	0	H0/S0	R/W	
		0	FSTALL	0	H0/S0	R/W	

APPENDIX A LIST OF PERIPHERAL CIRCUIT CONTROL REGISTERS

Address	Register name	Bit	Bit name	Initial	Reset	R/W	Remarks			
0x2040 001d	USBEP0CTL (USB EP0 OUT Transaction Control Register)	7	AUTOFNAK	0	H0/S0	R/W	Read as 0.			
		6-5	-	0x0	H0/S0	R/W				
		4	TGLSTAT	0	H0/S0	R				
		3	TGLSET	0	H0/S0	W				
		2	TGLCLR	0	H0/S0	W				
		1	FNAK	0	H0/S0	R/W				
		0	FSTALL	0	H0/S0	R/W				
0x2040 0020	USBEPACTL (USB EPa Control Register)	7	AUTOFNAK	0	H0/S0	R/W	Read as 0.			
		6	SPKTEN	0	H0/S0	R/W				
		5	AUTOFNAKDIS	0	H0/S0	R/W				
		4	TGLSTAT	0	H0/S0	R				
		3	TGLSET	0	H0/S0	W				
		2	TGLCLR	0	H0/S0	W				
		1	FNAK	0	H0/S0	R/W				
0x2040 0022	USBEPBCTL (USB EPb Control Register)	7	AUTOFNAK	0	H0/S0	R/W	Read as 0.			
		6	SPKTEN	0	H0/S0	R/W				
		5	AUTOFNAKDIS	0	H0/S0	R/W				
		4	TGLSTAT	0	H0/S0	R				
		3	TGLSET	0	H0/S0	W				
		2	TGLCLR	0	H0/S0	W				
		1	FNAK	0	H0/S0	R/W				
0x2040 0024	USBEPCCCTL (USB EPc Control Register)	7	AUTOFNAK	0	H0/S0	R/W	Read as 0.			
		6	SPKTEN	0	H0/S0	R/W				
		5	AUTOFNAKDIS	0	H0/S0	R/W				
		4	TGLSTAT	0	H0/S0	R				
		3	TGLSET	0	H0/S0	W				
		2	TGLCLR	0	H0/S0	W				
		1	FNAK	0	H0/S0	R/W				
0x2040 0030	USBEPACFG (USB EPa Configuration Register)	7	DIR	0	H0/S0	R/W	Read as 0.			
		6	TGLMOD	0	H0/S0	R/W				
		5	EPEN	0	H0/S0	R/W				
		4	-	0	-	R				
		3-0	EPNUM[3:0]	0x0	H0/S0	R/W				
		0x2040 0031	USBEPAMAXSZ (USB EPa Maximum Packet Size Register)	7	-	0		-	R	Read as 0.
				6-0	MAXSIZE[6:0]	0x00		H0/S0	R/W	
0x2040 0032	USBEPBCFG (USB EPb Configuration Register)			7	DIR	0	H0/S0	R/W	Read as 0.	
				6	TGLMOD	0	H0/S0	R/W		
		5	EPEN	0	H0/S0	R/W				
		4	-	0	-	R				
0x2040 0033	USBEPBMAXSZ (USB EPb Maximum Packet Size Register)	3-0	EPNUM[3:0]	0x0	H0/S0	R/W				
		7	-	0	-	R				
0x2040 0034	USBEPCCCFG (USB EPc Configuration Register)	6-0	MAXSIZE[6:0]	0x00	H0/S0	R/W				
		7	DIR	0	H0/S0	R/W				
		6	TGLMOD	0	H0/S0	R/W				
		5	EPEN	0	H0/S0	R/W				
0x2040 0035	USBEPCCMAXSZ (USB EPc Maximum Packet Size Register)	4	-	0	-	R				
		3-0	EPNUM[3:0]	0x0	H0/S0	R/W				
0x2040 0040	USBRDFIFOSEL (USB Read FIFO Select Register)	7-3	-	0x00	-	R				
		2	EPCRD	0	H0/S0	R/W				
		1	EPBRD	0	H0/S0	R/W				
		0	EPARD	0	H0/S0	R/W				

APPENDIX A LIST OF PERIPHERAL CIRCUIT CONTROL REGISTERS

Address	Register name	Bit	Bit name	Initial	Reset	R/W	Remarks
0x2040 0041	USBWRFIFOSEL (USB Write FIFO Select Register)	7-3	-	0x00	-	R	-
		2	EPCWR	0	H0/S0	R/W	
		1	EPBWR	0	H0/S0	R/W	
		0	EPAWR	0	H0/S0	R/W	
0x2040 0042	USBFIFORWEN (USB FIFO Read/ Write Enable Register)	7-2	-	0x00	-	R	-
		1	FIFOWREN	0	H0/S0	R/W	
		0	FIFORDEN	0	H0/S0	R/W	
0x2040 0046	USBREMDATCNT (USB Remaining FIFO Data Count Register)	7	-	0	-	R	-
		6-0	REMDAT[6:0]	0x00	H0/S0	R	
0x2040 0048	USBREMSPCCNT (USB Remaining FIFO Space Count Register)	7	-	0	-	R	-
		6-0	REMSPC[6:0]	0x08	H0/S0	R	
0x2040 004a	USBDBGGRAMADDR (USB Debug RAM Address Register)	7-0	DRAMADDR[7:0]	0x00	H0/S0	R/W	-
0x2040 0050	USBMAININTF (USB Main Interrupt Flag Register)	7	SIEIF	0	H0/S0	R	Cleared by writing 1 to the interrupt flag in the USBSIE-INTF register.
		6	GPEPIF	0	H0/S0	R	Cleared by writing 1 to the interrupt flag in the USBEP- <i>m</i> INTF register.
		5-2	-	0x0	-	R	-
		1	EPOIF	0	H0/S0	R	Cleared by writing 1 to the interrupt flag in the US-BEPOINTF register.
		0	EPOSETIF	0	H0/S0	R/W	Cleared by writing 1.
0x2040 0051	USBSIEINTF (USB SIE Interrupt Flag Register)	7	(reserved)	0	H0/S0	R	-
		6	NONJIF	0	H0/S0	R/W	Cleared by writing 1.
		5	RESETIF	0	H0/S0	R/W	
		4	SUSPENDIF	0	H0/S0	R/W	
		3	SOFIF	0	H0/S0	R/W	
		2	JIF	0	H0/S0	R/W	
		1	-	0	-	R	-
0	ATADDRIF	0	H0/S0	R/W	Cleared by writing 1.		
0x2040 0052	USBGPEPINTF (USB General- Purpose Endpoint Interrupt Flag Register)	7-3	-	0x00	-	R	-
		2	EPCIF	0	H0/S0	R	Cleared by writing 1 to the interrupt flag in the USBEP- <i>m</i> INTF register.
		1	EPBIF	0	H0/S0	R	
		0	EPAIF	0	H0/S0	R	
0x2040 0053	USBEPINTF (USB EP0 Interrupt Flag Register)	7-6	-	0x0	-	R	-
		5	INACKIF	0	H0/S0	R/W	Cleared by writing 1.
		4	OUTACKIF	0	H0/S0	R/W	
		3	INNAKIF	0	H0/S0	R/W	
		2	OUTNAKIF	0	H0/S0	R/W	
		1	INERRIF	0	H0/S0	R/W	
		0	OUTERRIF	0	H0/S0	R/W	
0x2040 0054	USBEPAINTF (USB EPa Interrupt Flag Register)	7	-	0	-	R	
		6	OUTSHACKIF	0	H0/S0	R/W	Cleared by writing 1.
		5	INACKIF	0	H0/S0	R/W	
		4	OUTACKIF	0	H0/S0	R/W	
		3	INNAKIF	0	H0/S0	R/W	
		2	OUTNAKIF	0	H0/S0	R/W	
		1	INERRIF	0	H0/S0	R/W	
0	OUTERRIF	0	H0/S0	R/W			

APPENDIX A LIST OF PERIPHERAL CIRCUIT CONTROL REGISTERS

Address	Register name	Bit	Bit name	Initial	Reset	R/W	Remarks
0x2040 0055	USBEPBINTF (USB EPb Interrupt Flag Register)	7	–	0	–	R	–
		6	OUTSHACKIF	0	H0/S0	R/W	Cleared by writing 1.
		5	INACKIF	0	H0/S0	R/W	
		4	OUTACKIF	0	H0/S0	R/W	
		3	INNAKIF	0	H0/S0	R/W	
		2	OUTNAKIF	0	H0/S0	R/W	
		1	INERRIF	0	H0/S0	R/W	
0	OUTERRIF	0	H0/S0	R/W			
0x2040 0056	USBEPcINTF (USB EPc Interrupt Flag Register)	7	–	0	–	R	–
		6	OUTSHACKIF	0	H0/S0	R/W	Cleared by writing 1.
		5	INACKIF	0	H0/S0	R/W	
		4	OUTACKIF	0	H0/S0	R/W	
		3	INNAKIF	0	H0/S0	R/W	
		2	OUTNAKIF	0	H0/S0	R/W	
		1	INERRIF	0	H0/S0	R/W	
0	OUTERRIF	0	H0/S0	R/W			
0x2040 0060	USBMAININTE (USB Main Interrupt Enable Register)	7	SIEIE	0	H0/S0	R/W	–
		6	GPEPIE	0	H0/S0	R/W	
		5–2	–	0x0	–	R	
		1	EP0IE	0	H0/S0	R/W	
		0	EP0SETIE	0	H0/S0	R/W	
0x2040 0061	USBSIEINTE (USB SIE Interrupt Enable Register)	7	(reserved)	0	H0/S0	R	–
		6	NONJIE	0	H0/S0	R/W	
		5	RESETIE	0	H0/S0	R/W	
		4	SUSPENDIE	0	H0/S0	R/W	
		3	SOFIE	0	H0/S0	R/W	
		2	JIE	0	H0/S0	R/W	
		1	–	0	–	R	
0	ATADDRIE	0	H0/S0	R/W			
0x2040 0062	USBGPEPINTE (USB General- Purpose Endpoint Interrupt Enable Register)	7–3	–	0x00	–	R	–
		2	EPCIE	0	H0/S0	R/W	
		1	EPBIE	0	H0/S0	R/W	
0	EPAIE	0	H0/S0	R/W			
0x2040 0063	USBEP0INTE (USB EP0 Interrupt Enable Register)	7–6	–	0x0	–	R	–
		5	INACKIE	0	H0/S0	R/W	
		4	OUTACKIE	0	H0/S0	R/W	
		3	INNAKIE	0	H0/S0	R/W	
		2	OUTNAKIE	0	H0/S0	R/W	
		1	INERRIE	0	H0/S0	R/W	
0	OUTERRIE	0	H0/S0	R/W			
0x2040 0064	USBEPaINTE (USB EPa Interrupt Enable Register)	7	–	0	–	R	–
		6	OUTSHACKIE	0	H0/S0	R/W	
		5	INACKIE	0	H0/S0	R/W	
		4	OUTACKIE	0	H0/S0	R/W	
		3	INNAKIE	0	H0/S0	R/W	
		2	OUTNAKIE	0	H0/S0	R/W	
		1	INERRIE	0	H0/S0	R/W	
0	OUTERRIE	0	H0/S0	R/W			
0x2040 0065	USBEPBINTE (USB EPb Interrupt Enable Register)	7	–	0	–	R	–
		6	OUTSHACKIE	0	H0/S0	R/W	
		5	INACKIE	0	H0/S0	R/W	
		4	OUTACKIE	0	H0/S0	R/W	
		3	INNAKIE	0	H0/S0	R/W	
		2	OUTNAKIE	0	H0/S0	R/W	
		1	INERRIE	0	H0/S0	R/W	
0	OUTERRIE	0	H0/S0	R/W			

APPENDIX A LIST OF PERIPHERAL CIRCUIT CONTROL REGISTERS

Address	Register name	Bit	Bit name	Initial	Reset	R/W	Remarks
0x2040 0066	USBEPINTE (USB EPC Interrupt Enable Register)	7	–	0	–	R	–
		6	OUTSHACKIE	0	H0/S0	R/W	
		5	INACKIE	0	H0/S0	R/W	
		4	OUTACKIE	0	H0/S0	R/W	
		3	INNAKIE	0	H0/S0	R/W	
		2	OUTNAKIE	0	H0/S0	R/W	
		1	INERRIE	0	H0/S0	R/W	
0	OUTERRIE	0	H0/S0	R/W			
0x2040 0100	USBFIFODAT (USB FIFO Data Register)	7–0	FIFODAT[7:0]	X	–	R/W	–
0x2040 0104	USBDBGRAMDAT (USB Debug RAM Data Register)	7–0	DBRAMDAT[7:0]	X	–	R/W	–
0x4000 0970	USBMISCCTL (USB Misc Control Register)	15–13	–	0x0	–	R	–
		12	USBWAIT	1	H0	R/WP	
		11–9	–	0x0	–	R	
		8	USBSNZ	0	H0	R/WP	
		7	USBCLKSEL	0	H0	R/WP	
		6	USBPLEN	0	H0	R/WP	
		5	USBCLKEN	0	H0	R/WP	
		4	VBUSDET	0	H0	R/WP	
		3	USBRST	0	H0	R/WP	
		2	–	0	–	R	
1	REG18VEN	0	H0	R/WP			
0	REG33VEN	0	H0	R/WP			
0x4000 0974	USBMISCWRDMAEN (USB FIFO Write DMA Request Enable Register)	15–8	–	0x00	–	R	–
		7–4	–	0x0	–	R	
		3–0	WRDMAEN[3:0]	0x0	H0	R/W	
0x4000 0976	USBMISCRDDMAEN (USB FIFO Read DMA Request Enable Register)	15–8	–	0x00	–	R	–
		7–4	–	0x0	–	R	
		3–0	RDDMAEN[3:0]	0x0	H0	R/W	

0x4000 0980–0x4000 0986
Supply Voltage Detector (SVD2) Ch.1

Address	Register name	Bit	Bit name	Initial	Reset	R/W	Remarks
0x4000 0980	SVD2_1CLK (SVD2 Ch.1 Clock Control Register)	15–9	–	0x00	–	R	–
		8	DBRUN	1	H0	R/WP	
		7	–	0	–	R	
		6–4	CLKDIV[2:0]	0x0	H0	R/WP	
		3–2	–	0x0	–	R	
1–0	CLKSRC[1:0]	0x0	H0	R/WP			
0x4000 0982	SVD2_1CTL (SVD2 Ch.1 Control Register)	15	VDSEL	0	H1	R/WP	–
		14–13	SVDSVC[1:0]	0x0	H0	R/WP	Writing takes effect when the SVD2_1CTL.SVDMD[1:0] bits are not 0x0.
		12–8	SVDC[4:0]	0x1e	H1	R/WP	–
		7–4	SVDRE[3:0]	0x0	H1	R/WP	SVD2 Ch.1 does not issue a reset even if the SVD2_1CTL. SVDRE[3:0] bits is set to 0xa.
		3	SVDF	0	H0	R/W	–
		2–1	SVDMD[1:0]	0x0	H0	R/W	–
0	MODEN	0	H1	R/W	–		
0x4000 0984	SVD2_1INTF (SVD2 Ch.1 Status and Interrupt Flag Register)	15–9	–	0x00	–	R	–
		8	SVDDT	x	–	R	
		7–1	–	0x00	–	R	
		0	SVDIF	0	H1	R/W	

APPENDIX A LIST OF PERIPHERAL CIRCUIT CONTROL REGISTERS

Address	Register name	Bit	Bit name	Initial	Reset	R/W	Remarks
0x4000 0986	SVD2_1INTE (SVD2 Ch.1 Interrupt Enable Register)	15-8	-	0x00	-	R	
		7-1	-	0x00	-	R	
		0	SVDIE	0	H0	R/W	

0x4000 1000-0x4000 2014

DMA Controller (DMAC)

Address	Register name	Bit	Bit name	Initial	Reset	R/W	Remarks	
0x4000 1000	DMACSTAT (DMAC Status Register)	31-24	-	0x00	-	R		
		23-21	-	0x0	-	R		
		20-16	CHNLS[4:0]	*	H0	R		* Number of channels implemented - 1
		15-8	-	0x00	-	R		
		7-4	STATE[3:0]	0x0	H0	R		
		3-1	-	0x0	-	R		
		0	MSTENSTAT	0	H0	R		
0x4000 1004	DMACCFG (DMAC Configuration Register)	31-24	-	0x00	-	R		
		23-16	-	0x00	-	R		
		15-8	-	0x00	-	R		
		7-1	-	0x00	-	R		
		0	MSTEN	-	-	W		
0x4000 1008	DMACCPTR (DMAC Control Data Base Pointer Register)	31-7	CPTR[31:7]	0x000 0000	H0	R/W		
		6-0	CPTR[6:0]	0x00	H0	R		
0x4000 100c	DMACACPTR (DMAC Alternate Control Data Base Pointer Register)	31-0	ACPTR[31:0]	-	H0	R		
0x4000 1014	DMACSWREQ (DMAC Software Request Register)	31-24	-	-	-	R		
		23-16	-	-	-	R		
		15-8	-	-	-	R		
		7-4	-	-	-	R		
		3-0	SWREQ[3:0]	-	-	W		
0x4000 1020	DMACRMSET (DMAC Request Mask Set Register)	31-24	-	0x00	-	R		
		23-16	-	0x00	-	R		
		15-8	-	0x00	-	R		
		7-4	-	0x0	-	R		
		3-0	RMSET[3:0]	0x0	H0	R/W		
0x4000 1024	DMACRMCLR (DMAC Request Mask Clear Register)	31-24	-	-	-	R		
		23-16	-	-	-	R		
		15-8	-	-	-	R		
		7-4	-	-	-	R		
		3-0	RMCLR[3:0]	-	-	W		
0x4000 1028	DMACENSET (DMAC Enable Set Register)	31-24	-	0x00	-	R		
		23-16	-	0x00	-	R		
		15-8	-	0x00	-	R		
		7-4	-	0x0	-	R		
		3-0	ENSET[3:0]	0x0	H0	R/W		
0x4000 102c	DMACENCLR (DMAC Enable Clear Register)	31-24	-	-	-	R		
		23-16	-	-	-	R		
		15-8	-	-	-	R		
		7-4	-	-	-	R		
		3-0	ENCLR[3:0]	-	-	W		
0x4000 1030	DMACPASET (DMAC Primary-Alter- nate Set Register)	31-24	-	0x00	-	R		
		23-16	-	0x00	-	R		
		15-8	-	0x00	-	R		
		7-4	-	0x0	-	R		
		3-0	PASET[3:0]	0x0	H0	R/W		

APPENDIX A LIST OF PERIPHERAL CIRCUIT CONTROL REGISTERS

Address	Register name	Bit	Bit name	Initial	Reset	R/W	Remarks
0x4000 1034	DMACPACLR (DMAC Primary-Alternate Clear Register)	31-24	-	-	-	R	
		23-16	-	-	-	R	
		15-8	-	-	-	R	
		7-4	-	-	-	R	
		3-0	PACLR[3:0]	-	-	W	
0x4000 1038	DMACPRSET (DMAC Priority Set Register)	31-24	-	0x00	-	R	
		23-16	-	0x00	-	R	
		15-8	-	0x00	-	R	
		7-4	-	0x0	-	R	
		3-0	PRSET[3:0]	0x0	H0	R/W	
0x4000 103c	DMACPRCLR (DMAC Priority Clear Register)	31-24	-	-	-	R	
		23-16	-	-	-	R	
		15-8	-	-	-	R	
		7-4	-	-	-	R	
		3-0	PRCLR[3:0]	-	-	W	
0x4000 104c	DMACERRIF (DMAC Error Interrupt Flag Register)	31-24	-	0x00	-	R	
		23-16	-	0x00	-	R	
		15-8	-	0x00	-	R	
		7-1	-	0x00	-	R	
		0	ERRIF	0	H0	R/W	
0x4000 2000	DMACENDIF (DMAC Transfer Completion Interrupt Flag Register)	31-24	-	0x00	-	R	
		23-16	-	0x00	-	R	
		15-8	-	0x00	-	R	
		7-4	-	0x0	-	R	
		3-0	ENDIF[3:0]	0x0	H0	R/W	
0x4000 2008	DMACENDIESET (DMAC Transfer Completion Interrupt Enable Set Register)	31-24	-	0x00	-	R	
		23-16	-	0x00	-	R	
		15-8	-	0x00	-	R	
		7-4	-	0x0	-	R	
		3-0	ENDIESET[3:0]	0x0	H0	R/W	
0x4000 200c	DMACENDIECLR (DMAC Transfer Completion Interrupt Enable Clear Register)	31-24	-	-	-	R	
		23-16	-	-	-	R	
		15-8	-	-	-	R	
		7-4	-	-	-	R	
		3-0	ENDIECLR[3:0]	-	-	W	
0x4000 2010	DMACERRIESET (DMAC Error Interrupt Enable Set Register)	31-24	-	0x00	-	R	
		23-16	-	0x00	-	R	
		15-8	-	0x00	-	R	
		7-1	-	0x00	-	R	
		0	ERRIESET	0	H0	R/W	
0x4000 2014	DMACERRIECLR (DMAC Error Interrupt Enable Clear Register)	31-24	-	0x00	-	R	
		23-16	-	0x00	-	R	
		15-8	-	0x00	-	R	
		7-1	-	0x00	-	R	
		0	ERRIECLR	-	-	W	

Appendix B Power Saving

Current consumption will vary dramatically, depending on CPU operating mode, operation clock frequency, peripheral circuits being operated, and V_{D1} regulator operating mode. Listed below are the control methods for saving power.

B.1 Operating Status Configuration Examples for Power Saving

Table B.1.1 lists typical examples of operating status configuration with consideration given to power saving.

Table B.1.1 Typical Operating Status Configuration Examples

Operating status configuration	Current consumption	V_{D1}	OSC1	IOSC/OSC3/EXOSC	RTCA	CPU	Current consumption listed in electrical characteristics
Standby	↑ Low	Economy	OFF	OFF	OFF	SLEEP	ISLP1-2
Clock counting			ON		ON	SLEEP with OSC1SLPC	ISLP3-4
Low-speed processing	↓ High	Normal	ON	ON	ON	OSC1 RUN	IRUN5-6
Peripheral circuit operations			ON			SLEEP or HALT	IHALT1
High-speed processing			ON			IOSC/OSC3/EXOSC RUN	IRUN1-4, 7

If the current consumption order by the operating status configuration shown in Table B.1.1 is different from one that is listed in “Electrical Characteristics,” check the settings shown below.

PWGACTL.REGMODE[1:0] bits of the power generator

If the PWGACTL.REGMODE[1:0] bits of the power generator is 0x2 (normal mode) when the CPU enters SLEEP mode, current consumption in SLEEP mode will be larger than ISLP that is listed in “Electrical Characteristics.” Set the PWGACTL.REGMODE[1:0] bits to 0x3 (economy mode) or 0x0 (automatic mode) before placing the CPU into SLEEP mode.

CLGOSC.IOSCSLPC/OSC1SLPC/OSC3SLPC/EXOSCSLPC bits of the clock generator

Setting the CLGOSC.IOSCSLPC, OSC1SLPC, OSC3SLPC, or EXOSCSLPC bit of the clock generator to 0 disables the oscillator circuit stop control when the CPU enters SLEEP mode. To stop the oscillator circuits during SLEEP mode, set these bits to 1.

MODEN bits of the peripheral circuits

Setting the MODEN bit of each peripheral circuit to 1 starts supplying the operating clock enabling the peripheral circuit to operate. To reduce current consumption, set the MODEN bits of unnecessary peripheral circuits to 0. Note that the real-time clock has no MODEN bit, therefore, current consumption does not vary if it is counting or idle.

OSC1 oscillator circuit configurations

The OSC1 oscillator circuit provides some configuration items to support various crystal resonators with ranges from cylinder type through surface-mount type. These configurations trade off current consumption for performance as shown below.

- The lower oscillation inverter gain setting (CLGOSC1.INV1B[1:0]/INV1N[1:0] bits) decreases current consumption.
- The lower OSC1 internal gate capacitance setting (CLGOSC1.CG1[2:0] bits) decreases current consumption.
- Using lower OSC1 external gate and drain capacitances decreases current consumption.
- Using a crystal resonator with lower C_L value decreases current consumption.

However, these configurations may reduce the oscillation margin and increase the frequency error, therefore, be sure to perform matching evaluation using the actual printed circuit board.

OSC3 (crystal/ceramic) oscillator circuit configurations

The OSC3 (crystal/ceramic) oscillator circuit provides some configuration items to support various crystal and ceramic resonators. These configurations trade off current consumption for performance as shown below.

- The lower oscillation inverter gain setting (CLGOSC3.OSC3INV[1:0] bits) decreases current consumption.
- Using lower OSC3 external gate and drain capacitances decreases current consumption.
- Using a resonator with lower CL value decreases current consumption.

However, these configurations may reduce the oscillation margin and increase the frequency error, therefore, be sure to perform matching evaluation using the actual printed circuit board.

B.2 Other Power Saving Methods

Supply voltage detector configuration

Continuous operation mode (SVD2_nCTL.SVDMD[1:0] bits = 0x0) always detects the power supply voltage, therefore, it increases current consumption. Set the supply voltage detector to intermittent operation mode or turn it on only when required.

LCD driver configurations

- The lower booster clock frequency setting (LCD32BTIM2.BSTC[1:0] bits) for the LCD voltage booster decreases current consumption. Note, however, that the load characteristic becomes worse.
- Setting the LCD voltage regulator into heavy load protection mode (LCD32BPWR.HVLD bit = 1) increases current consumption. Heavy load protection mode should be set only when the display becomes unstable.

Appendix C Mounting Precautions

This section describes various precautions for circuit board design and IC mounting.

OSC1/OSC3 oscillator circuit

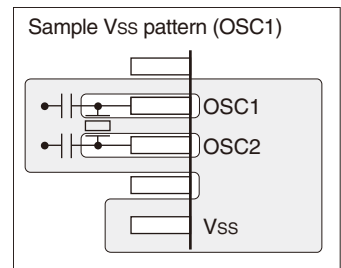
- Oscillation characteristics depend on factors such as components used (resonator, C_G , C_D) and circuit board patterns. In particular, with crystal resonators, select the appropriate capacitors (C_G , C_D) only after fully evaluating components actually mounted on the circuit board.
- Oscillator clock disturbances caused by noise may cause malfunctions. To prevent such disturbances, consider the following points.

- (1) Components such as a resonator, resistors, and capacitors connected to the OSC1 (OSC3) and OSC2 (OSC4) pins should have the shortest connections possible.
- (2) Wherever possible, avoid locating digital signal lines within 3 mm of the OSC1 (OSC3) and OSC2 (OSC4) pins or related circuit components and wiring. Rapidly-switching signals, in particular, should be kept at a distance from these components. Since the spacing between layers of multi-layer printed circuit boards is a mere 0.1 mm to 0.2 mm, the above precautions also apply when positioning digital signal lines on other layers.

Never place digital signal lines alongside such components or wiring, even if more than 3 mm distance or located on other layers. Avoid crossing wires.

- (3) Use Vss to shield the OSC1 (OSC3) and OSC2 (OSC4) pins and related wiring (including wiring for adjacent circuit board layers). Layers wired should be adequately shielded as shown to the right. Fully ground adjacent layers, where possible. At minimum, shield the area at least 5 mm around the above pins and wiring.

Even after implementing these precautions, avoid configuring digital signal lines in parallel, as described in (2) above. Avoid crossing even on discrete layers, except for lines carrying signals with low switching frequencies.



- (4) After implementing these precautions, check the FOUT pin output clock waveform by running the actual application program within the product.

For the OSC1 waveform, enlarge the areas before and after the clock rising and falling edges and take special care to confirm that the regions approximately 100 ns to either side are free of clock or spiking noise. For the OSC3 waveform, confirm that the frequency is as designed, is free of noise, and has minimal jitter.

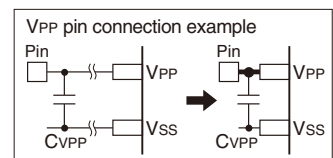
Failure to observe precautions (1) to (3) adequately may lead to noise in OSC1CLK and jitter in OSC3CLK. Noise in the OSC1CLK will destabilize timers that use OSC1CLK as well as CPU Core operations. Jitter in the OSC3 output will reduce operating frequencies.

#RESET pin

Components such as a switch and resistor connected to the #RESET pin should have the shortest connections possible to prevent noise-induced resets.

VPP pin

If fluctuations in the Flash programming voltage V_{PP} is large, connect a capacitor C_{VPP} between the Vss and V_{PP} pins to suppress fluctuations within $V_{PP} \pm 1$ V. The C_{VPP} should be placed as close to the V_{PP} pin as possible and use a sufficiently thick wiring pattern that allows current of several tens of mA to flow.

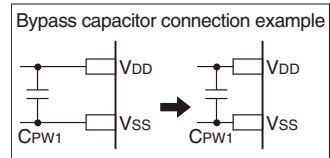


Power supply circuit

Sudden power supply fluctuations due to noise will cause malfunctions. Consider the following issues.

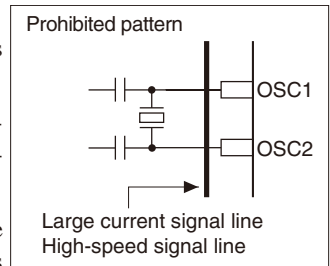
- (1) Connections from the power supply to the VDD and Vss pins should be implemented via the shortest, thickest patterns possible.

- If a bypass capacitor is connected between V_{DD} and V_{SS} , connections between the V_{DD} and V_{SS} pins should be as short as possible.



Signal line location

- To prevent electromagnetically-induced noise arising from mutual induction, large-current signal lines should not be positioned close to pins susceptible to noise, such as oscillator and analog measurement pins.
- Locating signal lines in parallel over significant distances or crossing signal lines operating at high speed will cause malfunctions due to noise generated by mutual interference.
- The SEG/COM lines and voltage boost/reduce capacitor drive lines are more likely to generate noise, therefore keep a distance between the lines and pins susceptible to noise.



Handling of light (for bare chip mounting)

The characteristics of semiconductor components can vary when exposed to light. ICs may malfunction or non-volatile memory data may be corrupted if ICs are exposed to light.

Consider the following precautions for circuit boards and products in which this IC is mounted to prevent IC malfunctions attributable to light exposure.

- Design and mount the product so that the IC is shielded from light during use.
- Shield the IC from light during inspection processes.
- Shield the IC on the upper, underside, and side faces of the IC chip.
- Mount the IC chip within one week of opening the package. If the IC chip must be stored before mounting, take measures to ensure light shielding.
- Adequate evaluations are required to assess nonvolatile memory data retention characteristics before product delivery if the product is subjected to heat stress exceeding regular reflow conditions during mounting processes.

Unused pins

- I/O port (P) pins**
Unused pins should be left open. The control registers should be fixed at the initial status.
- OSC1, OSC2, OSC3, OSC4, and EXOSC pins**
If the OSC1 oscillator circuit, OSC3 oscillator circuit or EXOSC input circuit is not used, the OSC1 and OSC2 pins, the OSC3 and OSC4 pins, or the EXOSC pin should be left open. The control registers should be fixed at the initial status (disabled).
- V_{C1-5} , C_{P1-5} , $SEGx$, and $COMx$ pins**
If the LCD driver is not used, these pins should be left open. The control registers should be fixed at the initial status (display off). The unused $SEGx$ and $COMx$ pins that are not required to connect should be left open even if the LCD driver is used.

Miscellaneous

Minor variations over time may result in electrical damage arising from disturbances in the form of voltages exceeding the absolute maximum rating when mounting the product in addition to physical damage. The following factors can give rise to these variations:

- Electromagnetically-induced noise from industrial power supplies used in mounting reflow, reworking after mounting, and individual characteristic evaluation (testing) processes
- Electromagnetically-induced noise from a solder iron when soldering

In particular, during soldering, take care to ensure that the soldering iron GND (tip potential) has the same potential as the IC GND.

Appendix D Measures Against Noise

To improve noise immunity, take measures against noise as follows:

Noise Measures for V_{DD} and V_{SS} Power Supply Pins

When noise falling below the rated voltage is input, an IC malfunction may occur. If desired operations cannot be achieved, take measures against noise on the circuit board, such as designing close patterns for circuit board power supply circuits, adding noise-filtering decoupling capacitors, and adding surge/noise prevention components on the power supply line.

For the recommended patterns on the circuit board, see “Mounting Precautions” in Appendix.

Noise Measures for #RESET Pin

If noise is input to the #RESET pin, the IC may be reset. Therefore, the circuit board must be designed properly taking noise measures into consideration.

For the recommended patterns on the circuit board, see “Mounting Precautions” in Appendix.

Noise Measures for Oscillator Pins

The oscillator input pins must pass a signal of small amplitude, so they are hypersensitive to noise. Therefore, the circuit board must be designed properly taking noise measures into consideration.

For the recommended patterns on the circuit board, see “Mounting Precautions” in Appendix.

Noise Measures for Interrupt Input Pins

This product is able to generate a port input interrupt when the input signal changes. The interrupt is generated when an input signal edge is detected, therefore, an interrupt may occur if the signal changes due to extraneous noise. To prevent occurrence of unexpected interrupts due to extraneous noise, enable the chattering filter circuit when using the port input interrupt.

For details of the port input interrupt and chattering filter circuit, see the “I/O Ports” chapter.

Noise Measures for UART Pins

This product includes a UART for asynchronous communications. The UART starts receive operation when it detects a low level input from the SIN_n pin. Therefore, a receive operation may be started if the SIN_n pin is set to low due to extraneous noise. In this case, a receive error will occur or invalid data will be received.

To prevent the UART from malfunction caused by extraneous noise, take the following measures:

- Stop the UART operations while asynchronous communication is not performed.
- Execute the resending process via software after executing the receive error handler with a parity check.

For details of the pin functions and the function switch control, see the “I/O Ports” chapter. For the UART control and details of receive errors, see the “UART” chapter.

Revision History

Code No.	Page	Contents
413374500	All	New establishment

AMERICA

EPSON ELECTRONICS AMERICA, INC.

214 Devcon Drive,
San Jose, CA 95112, USA
Phone: +1-800-228-3964 Fax: +1-408-922-0238

EUROPE

EPSON EUROPE ELECTRONICS GmbH

Riesstrasse 15, 80992 Munich,
GERMANY
Phone: +49-89-14005-0 Fax: +49-89-14005-110

ASIA

EPSON (CHINA) CO., LTD.

4th Floor, Tower 1 of China Central Place, 81 Jianguo Road,
Chaoyang District, Beijing 100025 CHINA
Phone: +86-10-8522-1199 Fax: +86-10-8522-1120

SHANGHAI BRANCH

7F, Block B, Hi-Tech Bldg., 900 Yishan Road,
Shanghai 200233, CHINA
Phone: +86-21-5423-5577 Fax: +86-21-5423-4677

SHENZHEN BRANCH

Room 804-805, 8 Floor, Tower 2, Ali Center, No.3331
Keyuan South RD (Shenzhen bay), Nanshan District,
Shenzhen 518054, CHINA
Phone: +86-10-3299-0588 Fax: +86-10-3299-0560

EPSON TAIWAN TECHNOLOGY & TRADING LTD.

14F, No. 7, Song Ren Road,
Taipei 110, TAIWAN
Phone: +886-2-8786-6688 Fax: +886-2-8786-6660

EPSON SINGAPORE PTE., LTD.

1 HarbourFront Place,
#03-02 HarbourFront Tower One, Singapore 098633
Phone: +65-6586-5500 Fax: +65-6271-3182

SEIKO EPSON CORP.**KOREA OFFICE**

19F, KLI 63 Bldg., 60 Yoido-dong,
Youngdeungpo-Ku, Seoul 150-763, KOREA
Phone: +82-2-784-6027 Fax: +82-2-767-3677

SEIKO EPSON CORP.**MICRODEVICES OPERATIONS DIVISION****Device Sales & Marketing Department**

421-8, Hino, Hino-shi, Tokyo 191-8501, JAPAN
Phone: +81-42-587-5816 Fax: +81-42-587-5117