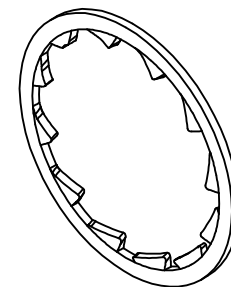
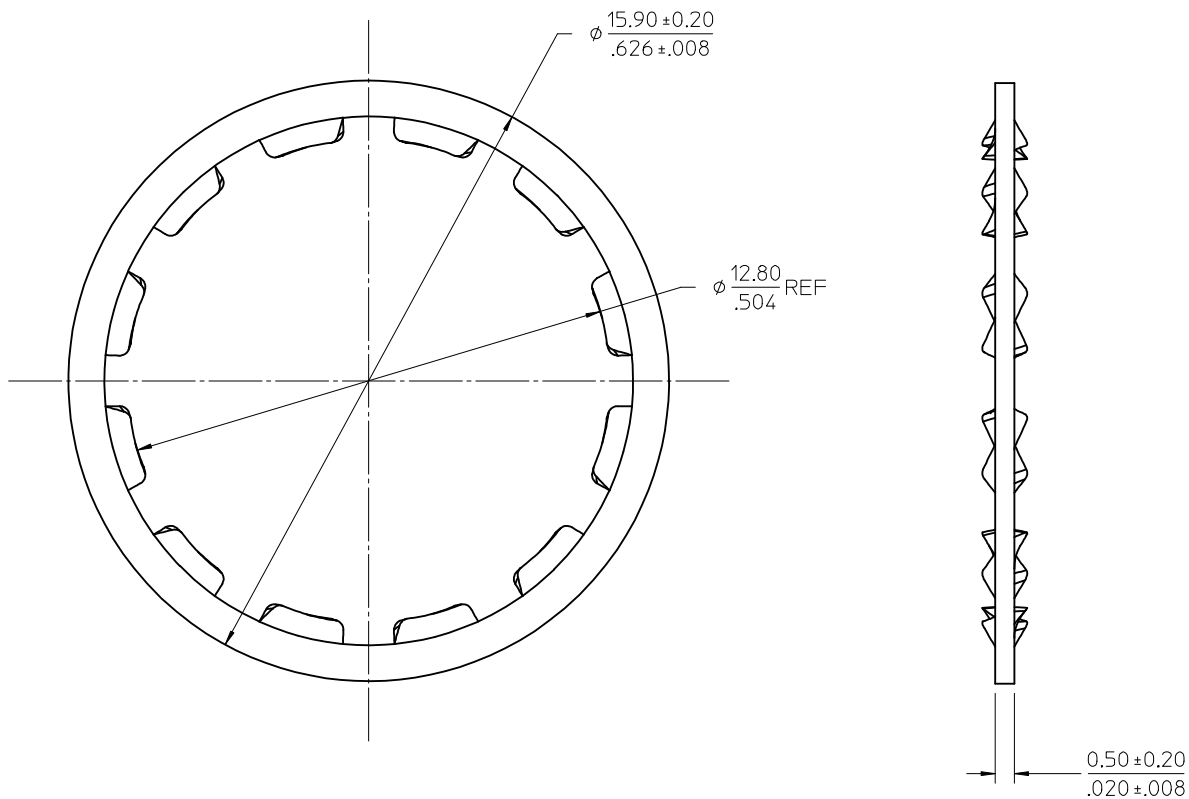


MATERIALS AND FINISHES

LOCK WASHER: PHOSPHOR BRONZE
PLATED NICKEL



PART # 89610-0104

CHG: ADD TOLERANCE
PER RF15-E187
EC NO: URF2015-0597
DRWN: CME102 2015/04/28
CHKD:
APPR: YCHENG 2015/05/06

QUALITY SYMBOLS

 DESCRIPTION
 REVISION

GENERAL TOLERANCES (UNLESS SPECIFIED)	
	MM/IN
4 PLACES	± .005 / ± .0002
3 PLACES	± .004 / ± .00015
2 PLACES	± .003 / ± .0001
1 PLACE	± .002 / ± .00008
0 PLACE	±

ANGULAR ± 2 °
 DRAFT WHERE APPLICABLE MUST REMAIN WITHIN DIMENSIONS

DIMENSION STYLE: MM/IN
 DRAWN BY: AROBERTSON DATE: 2010/01/08
 CHECKED BY: SSS DATE:
 APPROVED BY: DATE:
 MATERIAL NO.: 896100104
 SIZE: C

SCALE: METRIC
 DESIGN UNITS: METRIC
 THIRD ANGLE PROJECTION
 TITLE: LOCKWASHER M-LW
molex
 DOCUMENT NO.: SD-89610-0104
 SHEET NO.: 1 OF 1
 THIS DRAWING CONTAINS INFORMATION THAT IS PROPRIETARY TO MOLEX INCORPORATED AND SHOULD NOT BE USED WITHOUT WRITTEN PERMISSION