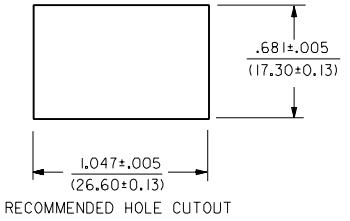
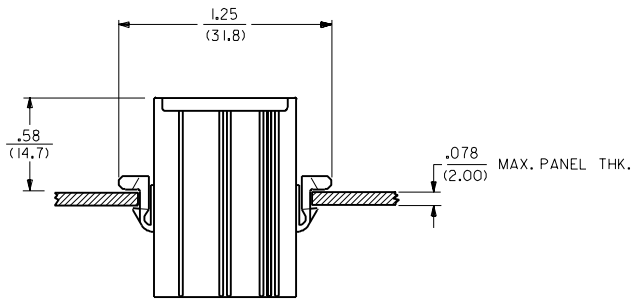


PLUG

MI	ADD RAMP LENGTH ECN #U4 0293 3-1-94 RW
M	REVISED PER ECR # U90659 KBW 07-25-89 RW
L	ADDED STANDOFFS PER ECR UB 2271 GEP 11-30-88 RW
K	REV. & FINAL REL. ECR UB 1710 GEP 7-14-88 RW
J	REVISED & REDRAWN PER ECR UB 0122 2-2-88 SCHAFFER
MFG.	SH. REV. LTR. REVISIONS

DIMENSIONS SHOWN METRIC (INCH)		▽ = 0	▼ = 0	REVISE ONLY ON CAD SYSTEM
UNLESS OTHERWISE SPECIFIED TOLERANCES ANGULAR ± 0°		TITLE		
INCH METRIC		.093/(2.36) HOUSING PLUG AND RECEPTACLE 6 CKT. .264/(6.70) CTRS.		
3 PLACE ± .010	---	MOLEX INCORPORATED SHEET NO. DATE L15LEJLL. 60532 U.S.A. 1 OF 3 1/25/88		
2 PLACE ± .014	± 0.25	PART NO. DRWG. NO.		
1 PLACE ---	± 0.36	SEE CHART SD-3191-6*		
DRAFT WHERE APPLICABLE MUST REMAIN WITHIN DIMENSIONS		APP'D. BY: JUS DRW'D. BY: RW SCALE: 2 : 1 FILE NAME: S31916.X1 APP'D. RAS		
THIS DRAWING CONTAINS INFORMATION THAT IS PROPRIETARY TO MOLEX INC. AND SHOULD NOT BE USED WITHOUT WRITTEN PERMISSION.		SIZE: CP C		

	13	12	11	10	9	8	7	6	3191	4	3	2	1		
	PLUG		RECEPTACLE											LEGEND:	
J	PART NO.	ENG. NO.	PART NO.	ENG. NO.										3191-6****-*	
	19-09-2068	3191-6P	19-09-1069	3191-6R1										CIRCUIT SIZE	
	19-09-2069	3191-6P1	19-09-1066	3191-6R1-201										P = PLUG	
	19-09-2067	3191-6P-201	19-09-6060	3191-6R IRD										R = RECEPTACLE	
	19-09-2066	3191-6P1-201	19-09-6069	3191-6R IBK										EARS: BLANK = WITH PREBENT EARS (PLUG ONLY)	
I	19-09-7069	3191-6PRD												I = WITHOUT EARS	
	19-09-7068	3191-6PBK												COLOR: BLANK = NATURAL COLOR	
H														AM=AMBER BK=BLACK BU=BLUE	
														BN=BROWN GY=GRAY GN=GREEN	
G														OR=ORANGE RD=RED YW=YELLOW	
														COLORS AVAILABLE ONLY IN 94V-2 MATERIAL	
F														MATERIAL: BLANK=NYLON TYPE 6/6, 94V-2	
														201=NYLON TYPE 6/6, 94V-0	
E															
D															
C															
B															
A															



MOUNTING HOLE DETAIL

COLOR: BLANK = NATURAL COLOR
 AM=AMBER BK=BLACK BU=BLUE
 BN=BROWN GY=GRAY GN=GREEN
 OR=ORANGE RD=RED YW=YELLOW
 COLORS AVAILABLE ONLY IN 94V-2 MATERIAL
 MATERIAL: BLANK=NYLON TYPE 6/6, 94V-2
 201=NYLON TYPE 6/6, 94V-0

3191

DIMENSIONS SHOWN (METRIC) INCH UNLESS OTHERWISE SPECIFIED TOLERANCES: ANGLES .015° ± .002°		REVISE ONLY ON CAD SYSTEM	
3 PLACE ± .010 ---	INCH	METRIC	TITLE .093/(2.36) HOUSINGS PLUG AND RECEPTACLE 6 CKT. .264/(6.70) CTRS.
2 PLACE ± .014 ± 0.25			MOLEX INCORPORATED LITTLE, ILL. 60532 U.S.A. SHEET NO. 3 DATE 1/22/88
1 PLACE --- ± 0.36			PART NO. SEE CHART DRWG. NO. SD-3191-6*
DRAFT WHERE APPLICABLE MUST REMAIN WITHIN DIMENSIONS		THIS DRAWING CONTAINS INFORMATION THAT IS PROPRIETARY TO MOLEX INC. AND SHOULD NOT BE USED WITHOUT WRITTEN PERMISSION	
DRWG. BY: JUS	CHK'D. BY: RW	FILE NAME: S31916X3.DGN	DIV. SIZE: CP/C
APP'D. BY: RAS	SCALE: --:--		

LTR.	REVISIONS	LTR.	REVISIONS

	13	12	11	10	9	8	7	6	5	4	3	2	1	
--	----	----	----	----	---	---	---	---	---	---	---	---	---	--