

NOTES:

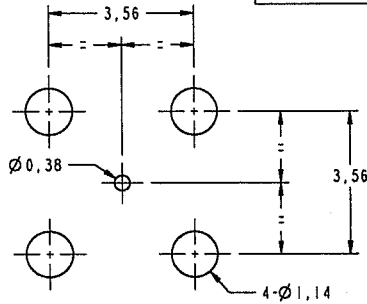
1. MATERIAL AND FINISH (PLATING THICKNESS IN MICRO-INCHES):  
 BODY - PHOSPHOR BRONZE, GOLD PLATING  
 CONTACT - BERYLLIUM COPPER, GOLD PLATING  
 INSULATOR - PEEK, NATURAL

2. 2 X PRE-TIN SQ. LEGS AND (Ø0.28) CONTACT POST WITH 63/37 Sn/Pb SOLDER, ACHIEVING APPROX. UNIFORM THICKNESS BUILD UP. A SOLDER-FREE REGION EXTENDING NO MORE THAN 0.76 FROM PWB MATING SURFACE IS PERMISSIBLE.

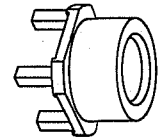
THIRD ANGLE PROJ.

REVISIONS

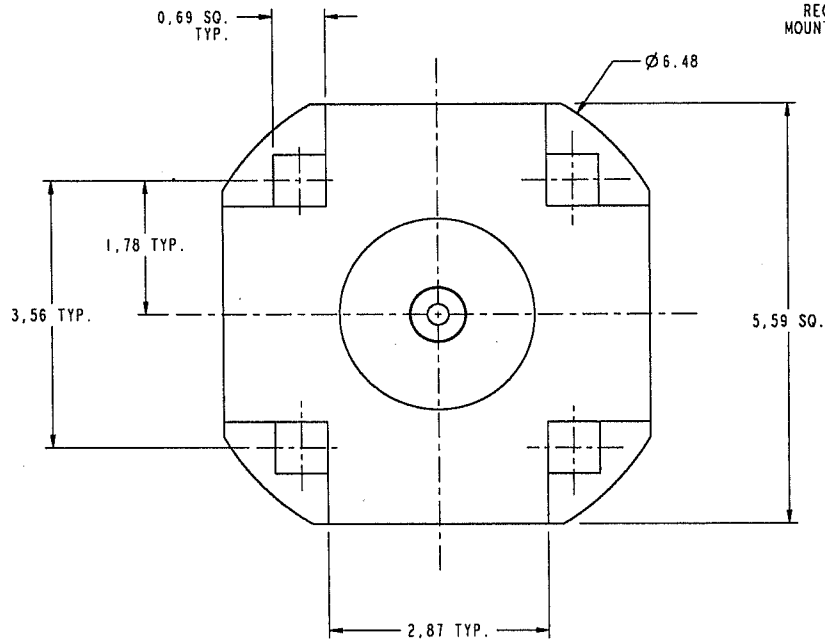
REV	DESCRIPTION	DATE	ECO	APPR
A	RELEASE TO MFG	27 Feb-07	46942	[Signature]



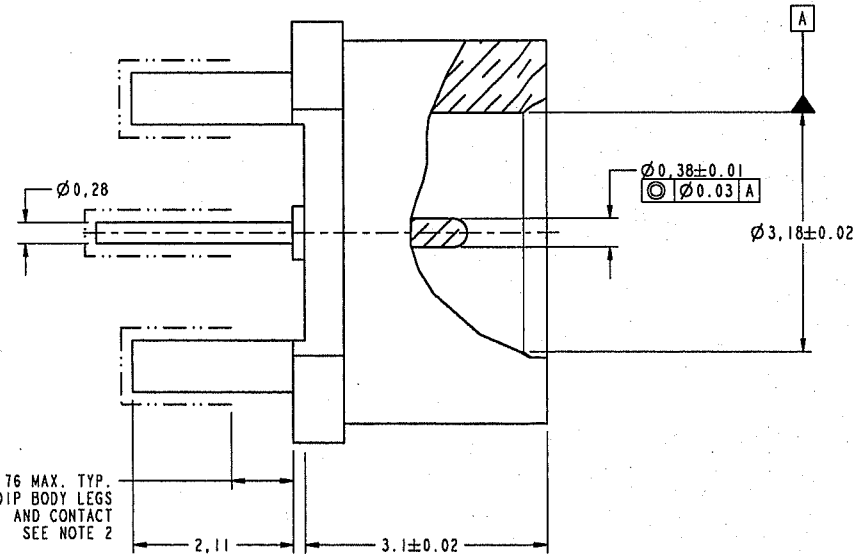
RECOMMENDED PCB MOUNTING DIMENSIONS



SCALE 4.000



0.76 MAX. TYP. TIN DIP BODY LEGS AND CONTACT SEE NOTE 2



CUSTOMER OUTLINE DRAWING

ALL OTHER SHEETS ARE FOR INTERNAL USE ONLY

UNLESS OTHERWISE SPECIFIED, DIMENSIONS ARE IN METRIC AND TOLERANCES ARE: 0.5 - 6mm ±0.1mm 6 - 30mm ±0.2mm 30 - 120mm ±0.3mm ANGLES ±1°	MATERIAL	DRAWN H. PARIKH	DATE 15-Jun-06	TITLE SMP TYPE PCB THRU HOLES SMOOTH BORE			Amphenol RF Danbury CT USA, Tainan, Taiwan, Shenzhen, China www.amphenolrf.com	
	REFERENCE	ENGINEER H. PARIKH	DATE 15-Jun-06				DRAWING NO. SMP-MSSB-PCT-4	
NOTICE - These drawings, specifications, or other data (1) are, and remain the property of Amphenol Corp. (2) must be returned upon request; and (3) are confidential and not to be disclosed to any person other than those to whom they are given by Amphenol Corp. The furnishing of these drawings, specifications, or other data by Amphenol Corp., or to any other person to anyone for any purpose is not to be regarded by implication or otherwise in any manner licensing, granting rights to permitting such holder or any other person to manufacture, use or sell any product, process or design, patented or otherwise, that may in any way be related to or disclosed by said drawings, specifications, or other data.	CONFIGURATION LEVEL: Release	APPROVED M. HOYACK	DATE 1/31/08	SCALE: 15.0:1.0	SHEET 2 OF 2	ITEM NO. SMP-MSSB-PCT-4	PART NO. SMP-MSSB-PCT-4	
	FINISH	CAD FILE I:\SMP\SMP-MSSB-PCT-4	DWG SIZE B	CODE ID 74868	REV A			