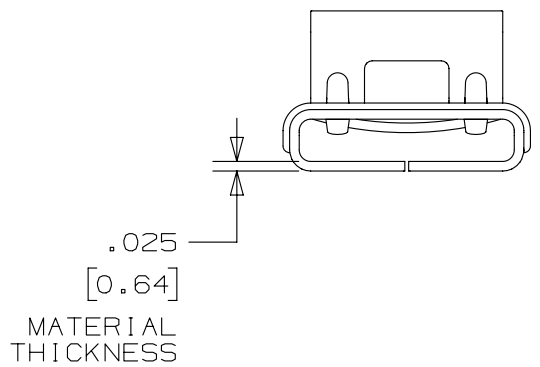
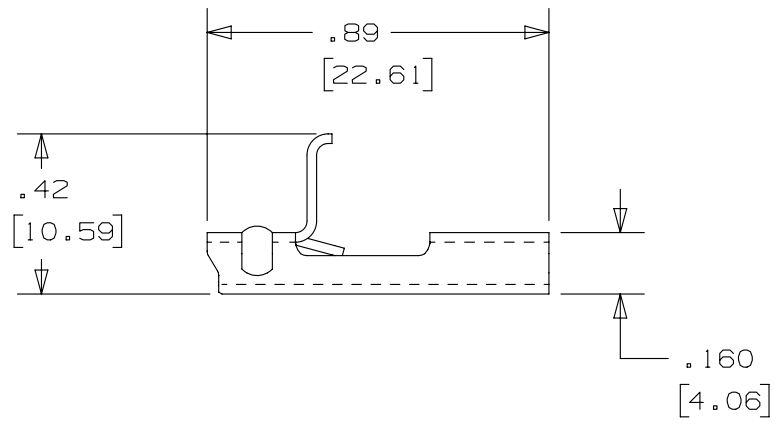
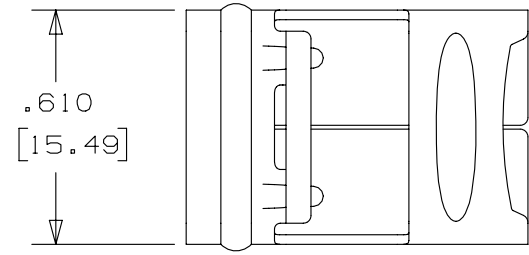


2

1

THIS COPY IS PROVIDED ON A RESTRICTED BASIS AND IS NOT TO BE USED IN ANY WAY DETRIMENTAL TO THE INTERESTS OF PANDUIT CORP.

- NOTES: 1. FOR USE WITH PANDUIT MSW50T15-CR4 & MSW50T15-CR6 CONTINUOUS STRAPPING. ^(A)
2. APPLICATION TOOL: BT2MS75, BT2HT
3. DIMENSIONS IN BRACKETS [] ARE IN MILLIMETERS
4. UNLESS OTHERWISE SPECIFIED TOLERANCES ARE:
 .XX = ±.02 [.5]
 .XXX = ±.010 [.25]
5. MATERIAL: 304 OR 316 STAINLESS STEEL



REV	DATE	BY	CHK	APR	DESCRIPTION	ECN
03A	3/13	JAMB	MIM	RGRO	UPDATED DRAWING TO NEW GLOBAL PANDUIT TITLE BLOCK WITH PANDUIT LOGO	SSECN01042
02A	10/08	JAMB	SKB	---	ORIG CAD FILE SPEC WAS S41148_02. NOTE 2: APPLICATION TOOL BT1HT REPLACED BY BT2HT	-----
02	10/04	JAMB	EJD	JJB	Ⓢ STRAPPING PART NO'S. IN TITLE BLOCK CHANGED TO BUCKLE PART NO'S., DUE TO TYPING ERROR	12067
01	9/04	JAMB	EJD	JJB	Ⓢ VOIDED PART NO'S. MS500X15-TSR & MS500X15-TSR316 & REPLACED BY PART NO'S. MSW50T15-CR4 & MSW50T15-CR6 ON NOTE 1	12052
00	9/03	BRH	EJD	JJB	DRAWING RELEASED	11154

TITLE .500 in [12.70] ENHANCED METAL STRAPPING BUCKLE Ⓢ MSBW50-C4 & MSBW50-C6					
CUSTOMER DRAWING					
ITEM REVISION NAME N41148BS/03			PANDUIT		
DATASET FILE NAME N41148BS_DC/03A					
UNLESS OTHERWISE SPECIFIED, DIMENSIONAL TOLERANCES ARE: IN [mm]					
.x ± .1 [2.54]		.xxx ± .005 [.127]		MATERIAL: SEE NOTES	
.xx ± .01 [.25]		ANGLES ± 5 °		DRAWING NUMBER: N41148BS_DC	
THIRD ANGLE PROJECTION			DRAWING NUMBER: N41148BS_DC		
DRAWN BY BRH	DATE 9/03	CHK EJD	SCALE 2:1	SHT 1 OF 1	
					SIZE A

2

1