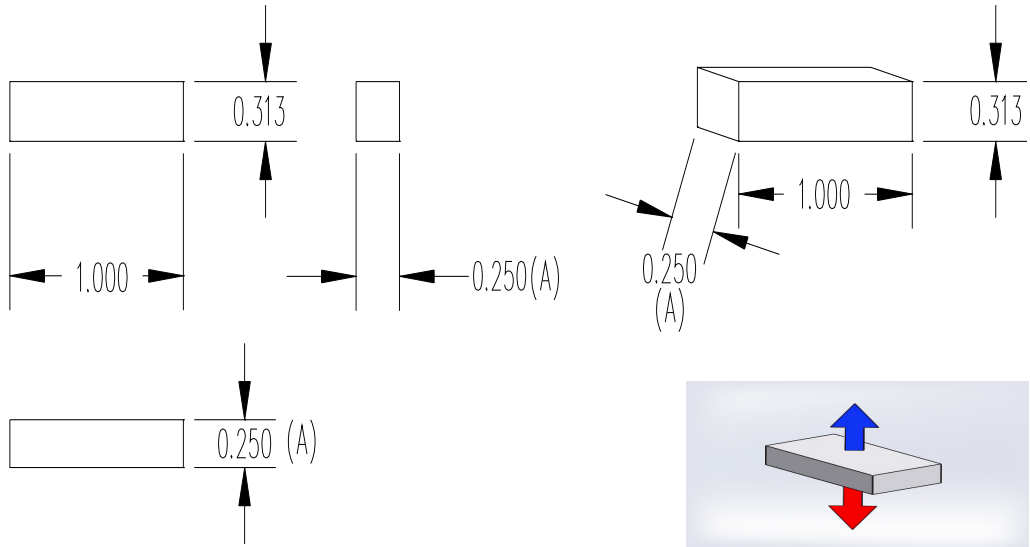


REVISIONS			
LTR	DESCRIPTION	DATE	APPROVED
—	INITIAL RELEASE		H D



UNLESS OTHERWISE SPECIFIED  
DIMENSIONS ARE IN INCHES

TOLERANCES:  
 FRACTIONS:  $\pm 1/64$   
 DECIMALS:  $\pm 0.015$   
 ANGLES:  $\pm 1^\circ$

MATERIAL: NdFeB  
 FINISH: NiCuNi

<b>RADIAL MAGNETS INC.</b>			
108B NW 20th St. BOCA RATON, FL 33431 (561)392-2103			
SHAPE BLOCK	STRENGTH N35	PLATING NiCuNi	SIZE AND DIRECTION OF MAGNETIZATION (A) 1" x 5/16" x 1/4"
SIZE A	PART # 8029	DRAWING # RM8029	REVISION -
SCALE 1 : 1	DRAWN: CG	CHECKED: HD	APPROVED: HD PAGE 1 OF 1