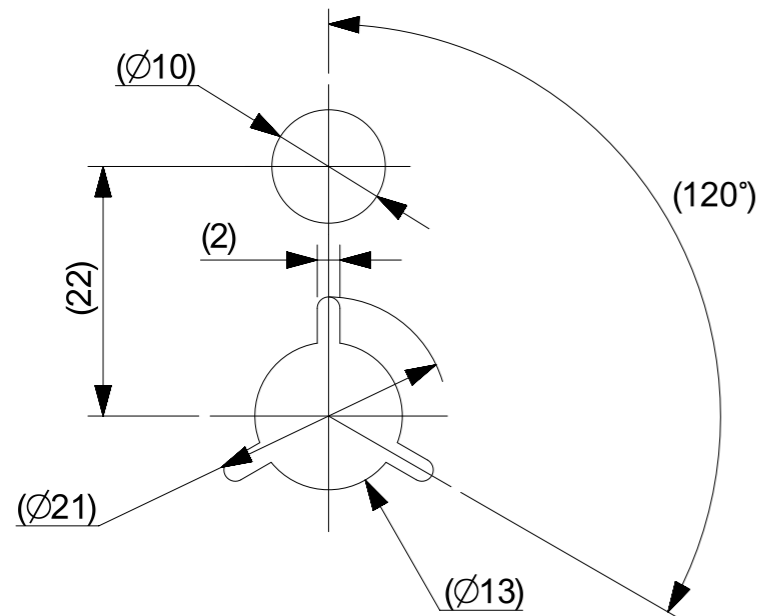
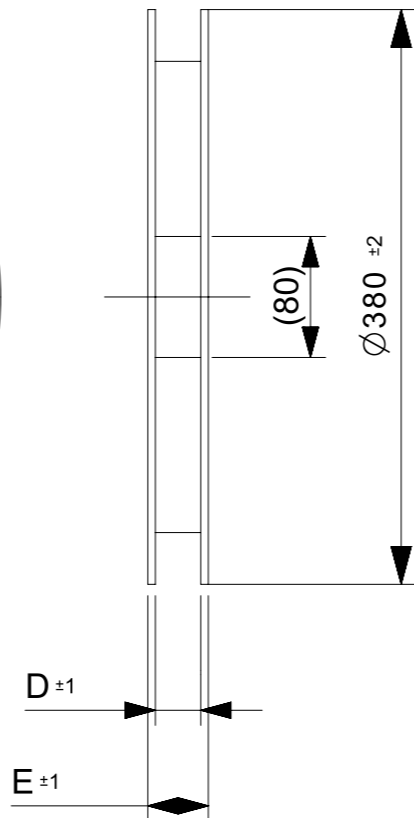
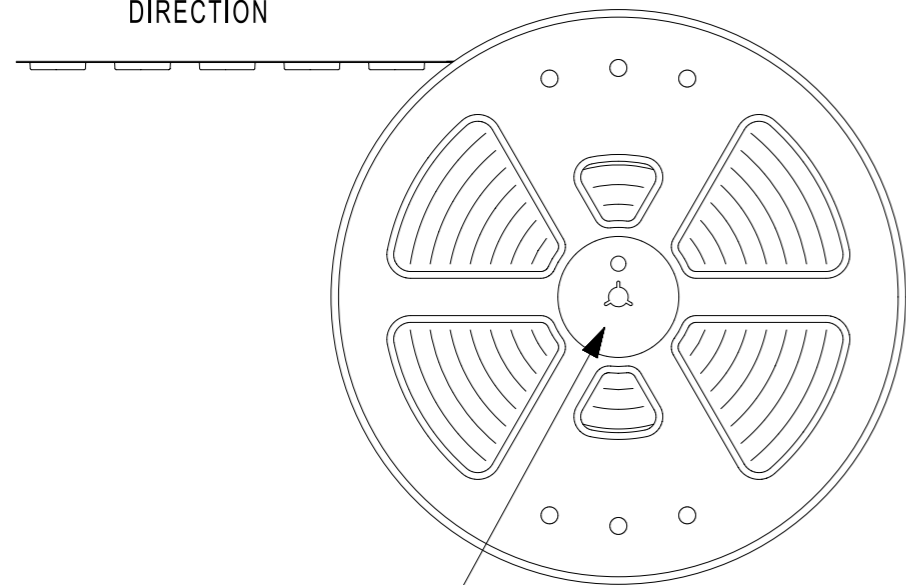


引き出し方向

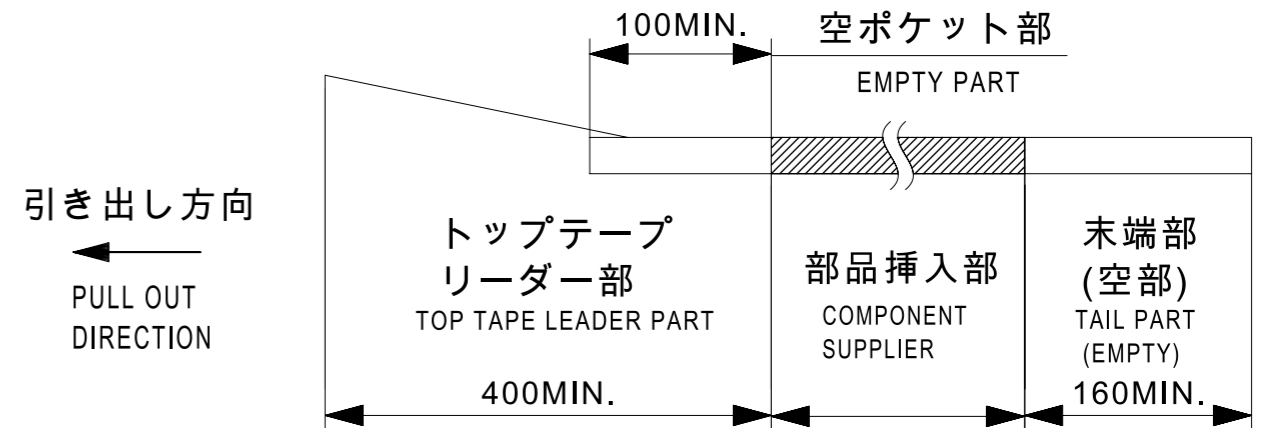
PULL OUT
DIRECTION



DETAIL "E"

NOTES

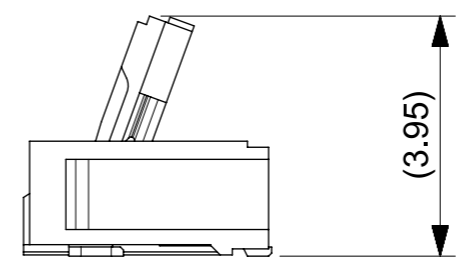
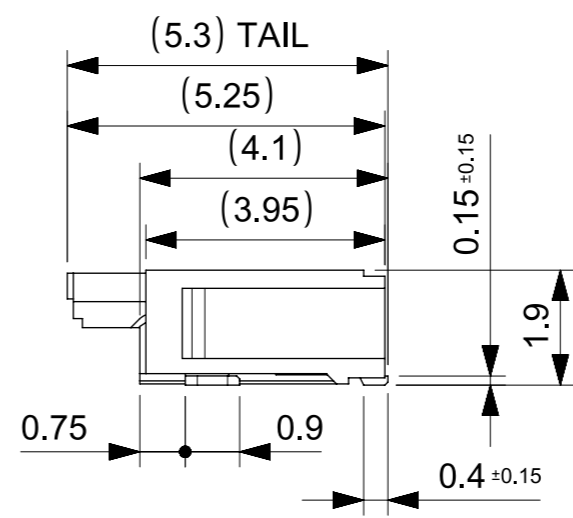
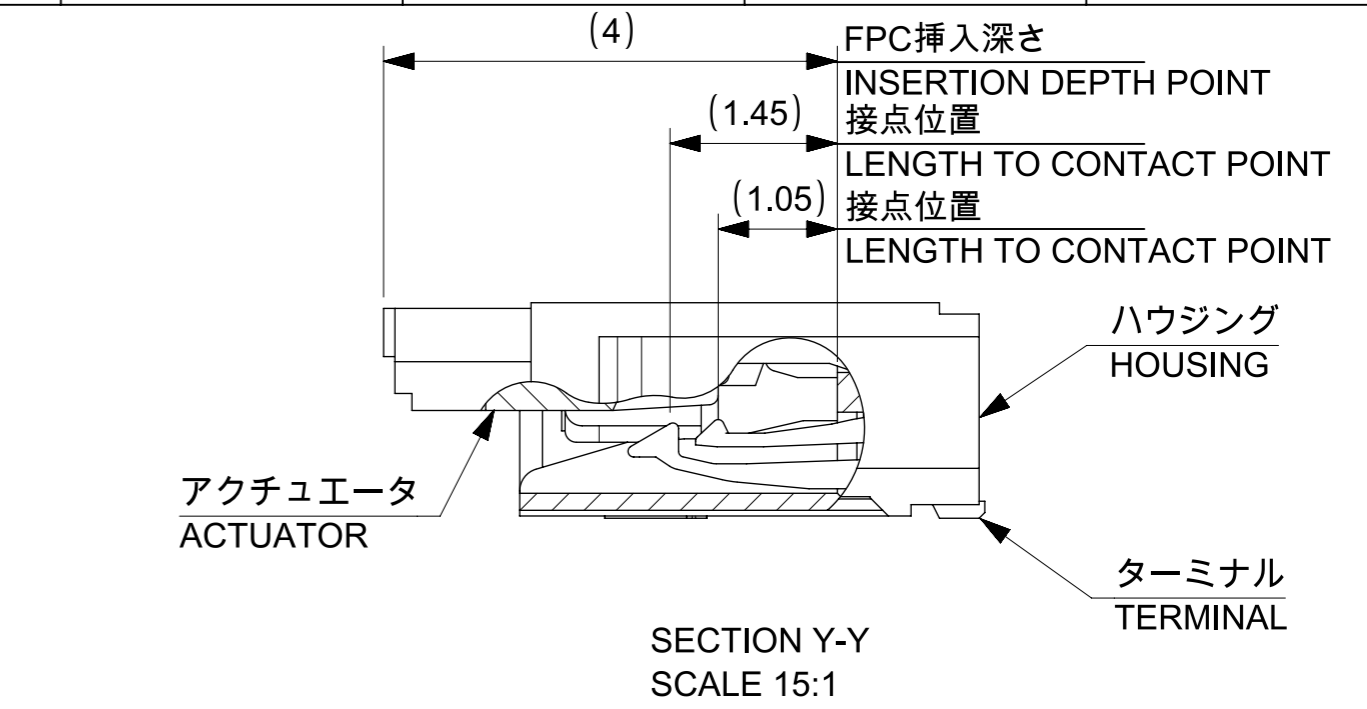
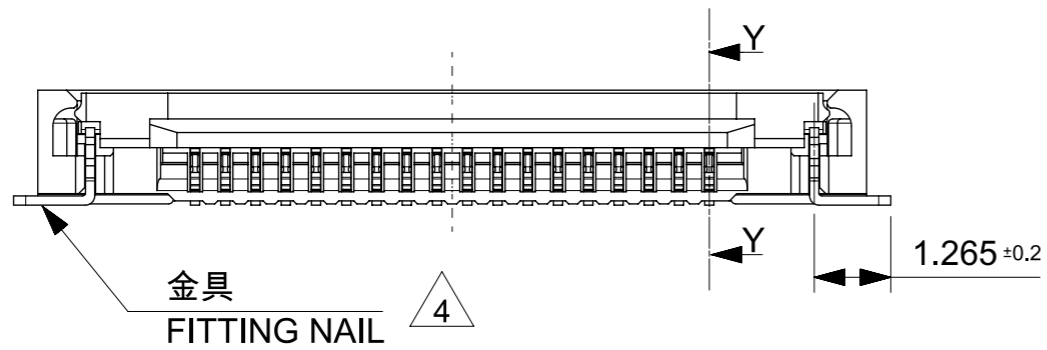
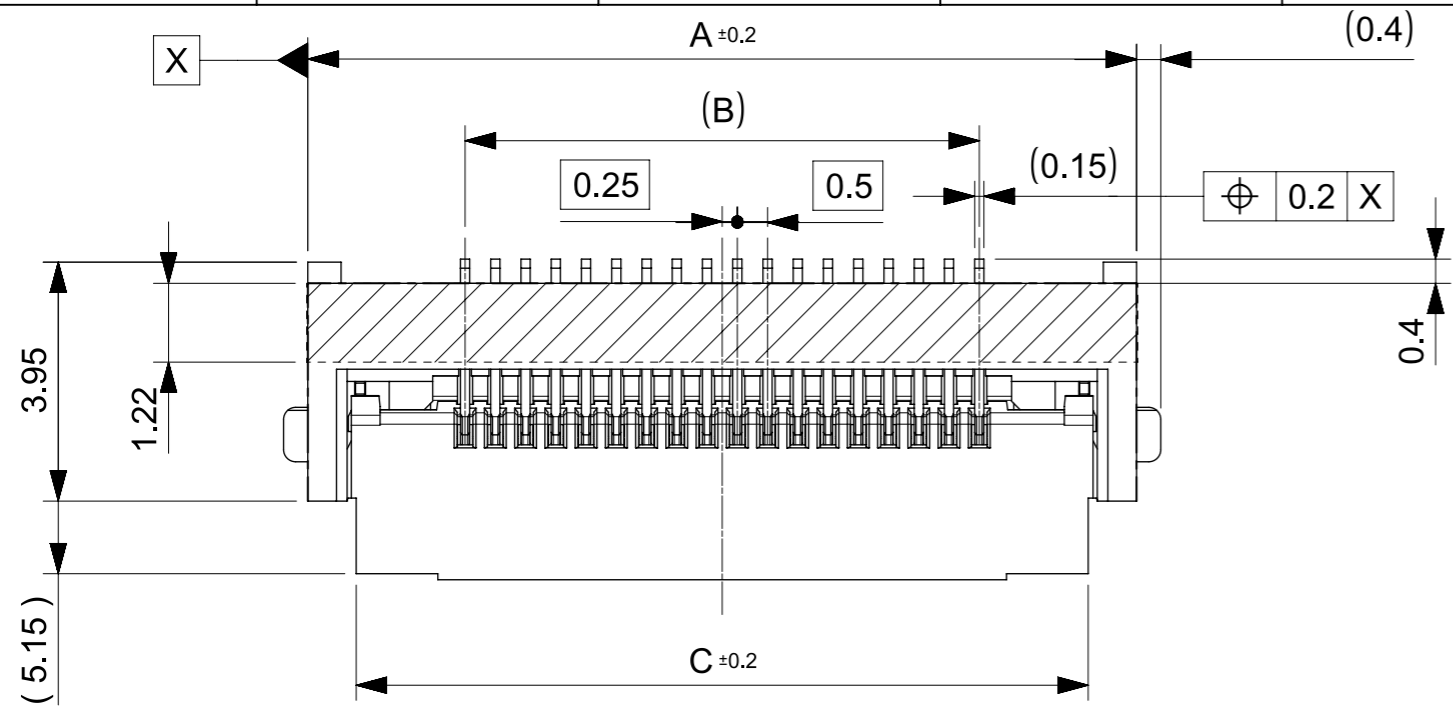
- 梱包数量 : 3000個 / リール
NUMBER OF CONNECTORS : 3000 PCS/REEL.
- リードテープ長さ
LEAD TAPE LENGTH



- カバーテープの剥離強度については、IEC60286-3に準拠。
COVER TAPE PEEL FORCE IS DEFINED BY IEC 60286-3.
- 製品詳細寸法については、図面 5051101001-000を参照下さい。
FOR DIMENSIONS OF PRODUCT, REFER TO 5051101001-000.
- 材料 MATERIAL
キャリアテープ : ポリスチレン
CARRIER TAPE : POLYSTYRENE
トップテープ : ポリエチレンテレフタレート、ポリエチレン
TOP TAPE : POLYETHYLENE TEREPHTHALATE, POLYETHYLENE
リール : ポリスチレン<リサイクル材を含む>
REEL : POLYSTYRENE <RECYCLE MATERIAL CONTAINED >
- ELV及びRoHS適合品 ELV AND RoHS COMPLIANT.

THIS DRAWING CONTAINS INFORMATION THAT IS PROPRIETARY TO MOLEX INCORPORATED AND SHOULD NOT BE USED WITHOUT WRITTEN PERMISSION

EC DESCRIPTION EC NO: 100528 DRWN: NKONDO CHK'D: KTAKAHASHI APPR: KIMORIKAWA	2015/06/30	2015/06/30	2015/06/30	QUALITY SYMBOLS ▽ = 0 ▽ = 0 ▽ = 0 ▼ = 0 ▽ = 0 ⊠ = 0 ■ = 0 ▽ = 0	GENERAL TOLERANCES (UNLESS SPECIFIED)		DIMENSION UNITS MM		SCALE 2:1						
	ANGULAR TOL ± 1.0 °				DRWN BY FSATO		DATE 2015/04/30		0.5 FPC CONN ZIF E/O 2 CONT TYPE EMB PKG						
	4 PLACES ± 0.05		3 PLACES ± 0.1		CHK'D BY KTAKAHASHI		DATE 2015/06/30						PRODUCT CUSTOMER DRAWING		
	2 PLACES ± 0.2		1 PLACE ± 0.2		APPR BY DATE		DRAWING SIZE A3		THIRD ANGLE PROJECTION		SERIES 505110				
DRAFT WHERE APPLICABLE MUST REMAIN WITHIN DIMENSIONS		DRAFT WHERE APPLICABLE MUST REMAIN WITHIN DIMENSIONS		DOCUMENT NUMBER 5051100001		DOC TYPE PSD		DOC PART 000		SHEET NUMBER 1 OF 2					

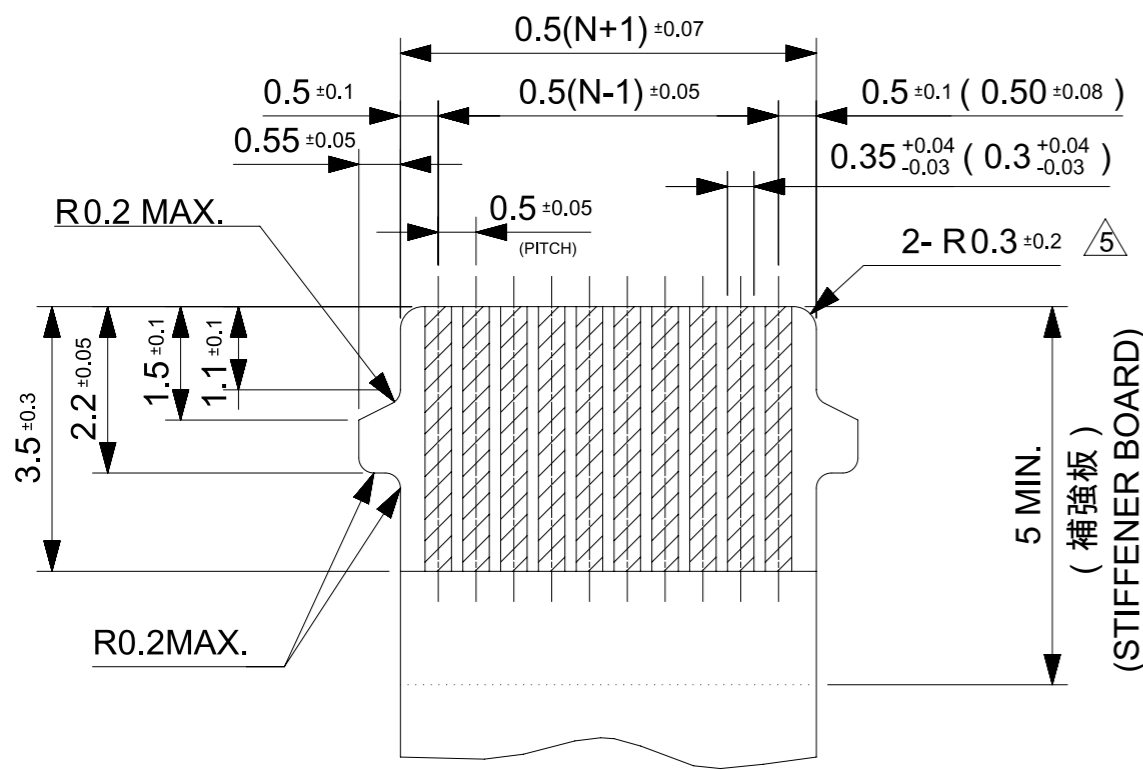


12.6	9.0	14.2	5051101992	19
12.1	8.5	13.7	5051101892	18
11.6	8.0	13.2	5051101792	17
11.1	7.5	12.7	5051101692	16
10.6	7.0	12.2	5051101592	15
10.1	6.5	11.7	5051101492	14
9.6	6.0	11.2	5051101392	13
9.1	5.5	10.7	5051101292	12
8.6	5.0	10.2	5051101192	11
8.1	4.5	9.7	5051101092	10
7.6	4.0	9.2	5051100992	9
7.1	3.5	8.7	5051100892	8
6.6	3.0	8.2	5051100792	7
6.1	2.5	7.7	5051100692	6
5.6	2.0	7.2	5051100592	5
5.1	1.5	6.7	5051100492	4
C	B	A	EMBOSSED PACKAGE	Ckt
			オーダー番号 ORDER NO.	

CONNECTOR SERIES NO. 505110** 12

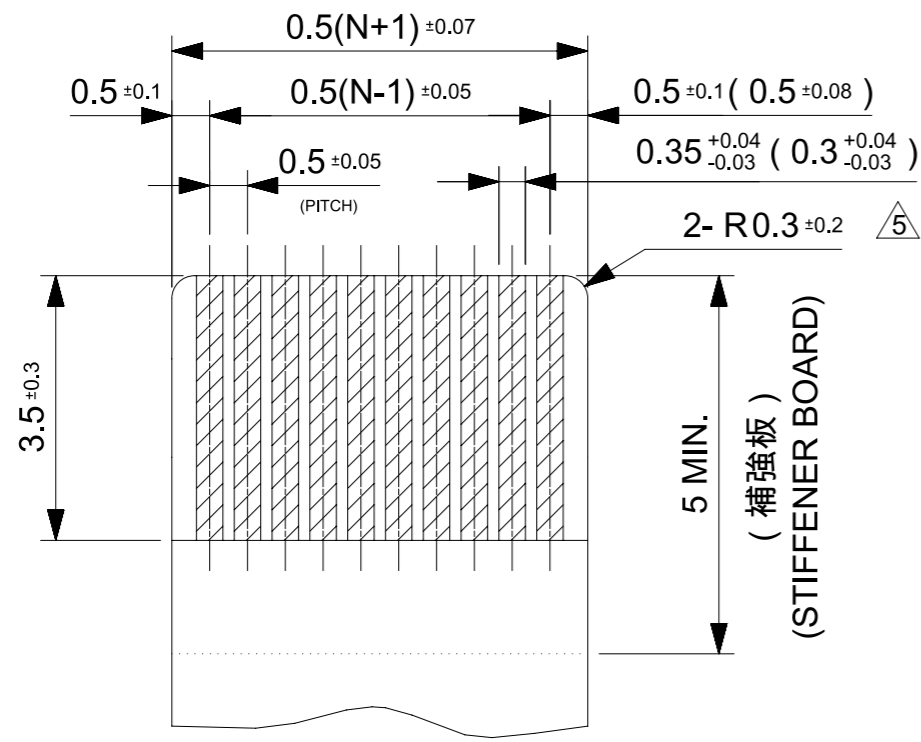
THIS DRAWING CONTAINS INFORMATION THAT IS PROPRIETARY TO MOLEX INCORPORATED AND SHOULD NOT BE USED WITHOUT WRITTEN PERMISSION

EC DESCRIPTION EC NO: 100528 DRWN: FSATO CHK'D: KTAKAHASHI APPR: KIMORIKAWA	2015/04/30 2015/06/30 2015/06/30	QUALITY SYMBOLS ∇ = 0 ∇ = 0 ∇ = 0 ▼ = 0 ∇ = 0 ⊠ = 0 ■ = 0 ∇ = 0	GENERAL TOLERANCES (UNLESS SPECIFIED) ANGULAR TOL ± 1.0 ° 4 PLACES ± 0.05 3 PLACES ± 0.1 2 PLACES ± 0.2 1 PLACE ± 0.2 0 PLACES ± 0.2 DRAFT WHERE APPLICABLE MUST REMAIN WITHIN DIMENSIONS	DIMENSION UNITS: MM SCALE: 8:1 DRWN BY: FSATO DATE: 2015/04/30 CHK'D BY: KTAKAHASHI DATE: 2015/06/30 APPR BY: KIMORIKAWA DATE: 2015/06/30 DRAWING SIZE: A3 THIRD ANGLE PROJECTION	
				PRODUCT CUSTOMER DRAWING	
			SERIES: 505110 MATERIAL NUMBER: SEE CHART CUSTOMER: GENERAL		
			DOCUMENT NUMBER: 5051101001 DOC TYPE: PSD DOC PART: 000 SHEET NUMBER: 1 OF 3		



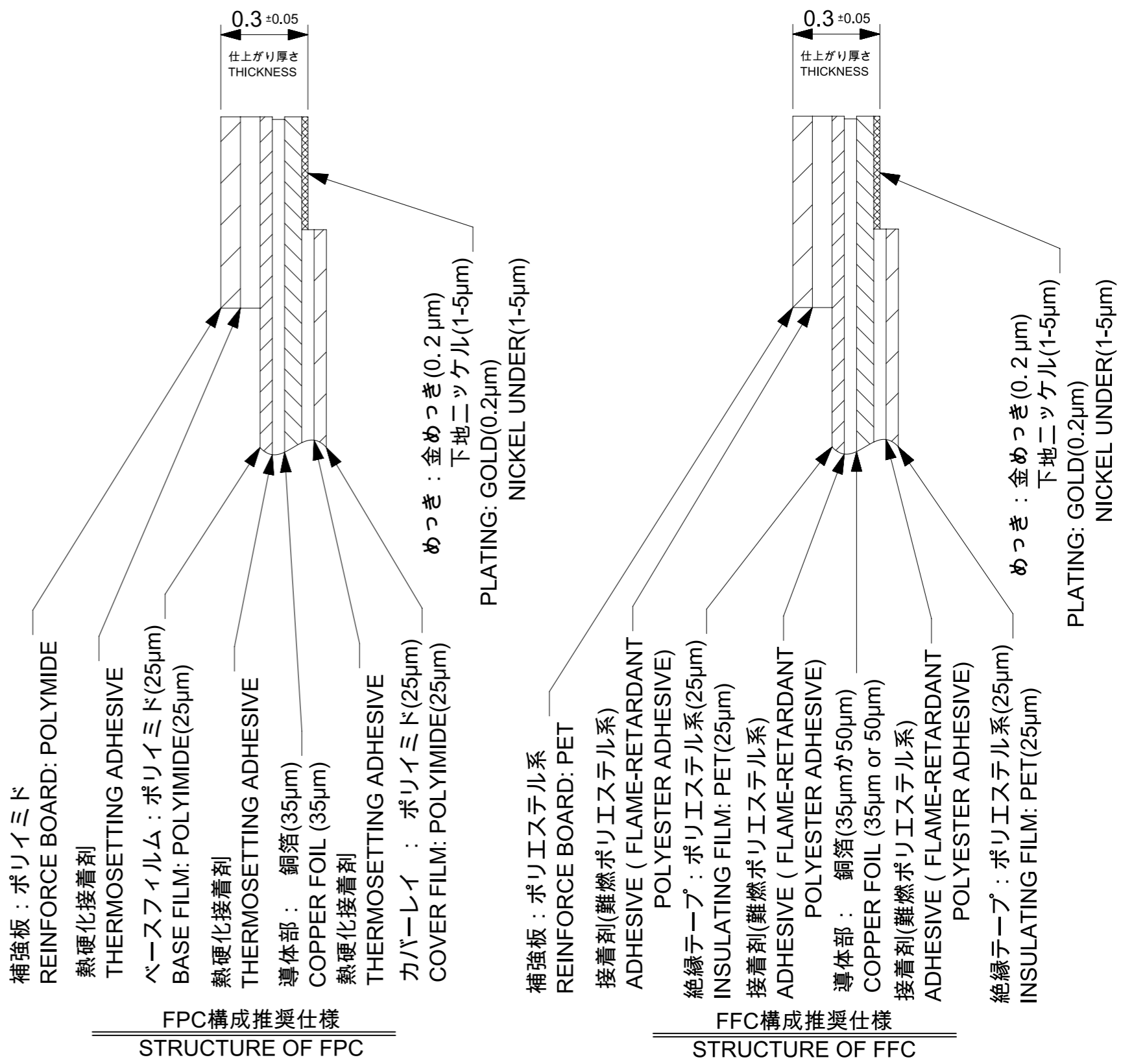
適合FPC/FFC推奨寸法
APPLICABLE FPC/FFC
RECOMMENDED DIMENSION

():FFCに適応
():APPLY TO FFC



耳無し適合FPC/FFC推奨寸法
APPLICABLE NON-TAB FPC/FFC
RECOMMENDED DIMENSION

():FFCに適応
():APPLY TO FFC



FPC構成推奨仕様
STRUCTURE OF FPC

FFC構成推奨仕様
STRUCTURE OF FFC

THIS DRAWING CONTAINS INFORMATION THAT IS PROPRIETARY TO MOLEX INCORPORATED AND SHOULD NOT BE USED WITHOUT WRITTEN PERMISSION										
EC DESCRIPTION EC NO: 100528 DRWN: FSATO CHK'D: KTAKAHASHI APPR: KIMORIKAWA	2015/04/30	2015/06/30	2015/06/30	QUALITY SYMBOLS ▽ = 0 ▽ = 0 ▽ = 0 ▽ = 0 ▽ = 0 ▽ = 0 ▽ = 0 ▽ = 0 ▽ = 0 ▽ = 0	GENERAL TOLERANCES (UNLESS SPECIFIED)		DIMENSION UNITS	SCALE	 0.5 FPC CONN ZIF E/O 2CONT TYPE HSG ASSY PRODUCT CUSTOMER DRAWING SERIES: 505110 MATERIAL NUMBER: SEE SHEET 1 CUSTOMER: GENERAL DOCUMENT NUMBER: 5051101001 DOC TYPE: PSD DOC PART: 000 SHEET NUMBER: 2 OF 3	
	ANGULAR TOL ± 1.0 °		MM		≠≠					
	4 PLACES ± 0.05	3 PLACES ± 0.1	DRWN BY: FSATO		DATE: 2015/04/30					
	2 PLACES ± 0.2	1 PLACE ± 0.2	CHK'D BY: KTAKAHASHI		DATE: 2015/06/30					
0 PLACES ± 0.2	DRAFT WHERE APPLICABLE MUST REMAIN WITHIN DIMENSIONS	APPR BY: KIMORIKAWA	DATE: 2015/06/30							
A	REV						A3	THIRD ANGLE PROJECTION		

注記 NOTES

1.使用材料 MATERIAL

ハウジング :液晶ポリマー ガラス充填、UL94V-0(ベージュ)
 HOUSING LIQUID CRYSTAL POLYMER GLASS FILLED, UL94V-0(BEIGE)
 アクチュエータ :ポリアミド ガラス充填、UL94V-0(黒)
 ACTUATOR POLYAMIDE GLASS FILLED, UL94V-0(BLACK)
 ターミナル :リン青銅(t=0.15)
 TERMINAL PHOSPHOR BRONZE
 金具 :リン青銅(t=0.15)
 FITTING NAIL PHOSPHOR BRONZE

2.めっき仕様 PLATING

ターミナル TERMINAL
 コンタクト部 : 部分金めっき (0.05μm以上)
 テール部 : 部分金めっき
 下地:ニッケルめっき (1.0μm以上)
 CONTACT AREA : SEPARATED GOLD PLATING (0.05 MICROMETER MINIMUM)
 SOLDER TAIL AREA : SEPARATED GOLD PLATING
 UNDERPLATE : NICKEL OVERALL (1.0 MICROMETER MINIMUM)
 金具 FITTING NAIL
 錫めっき(1.0μm以上)
 下地:ニッケルめっき (1.0μm以上)
 TIN PLATING (1.0 MICROMETER MIN.)
 UNDER PLATING : NICKEL PLATING (1.0 MICROMETER MIN.)

3.エンボステープ梱包時は、アクチュエータが閉じた状態とする。
 IN THE PACKAGE, ACTUATOR OF PART SHOULD BE CLOSED.

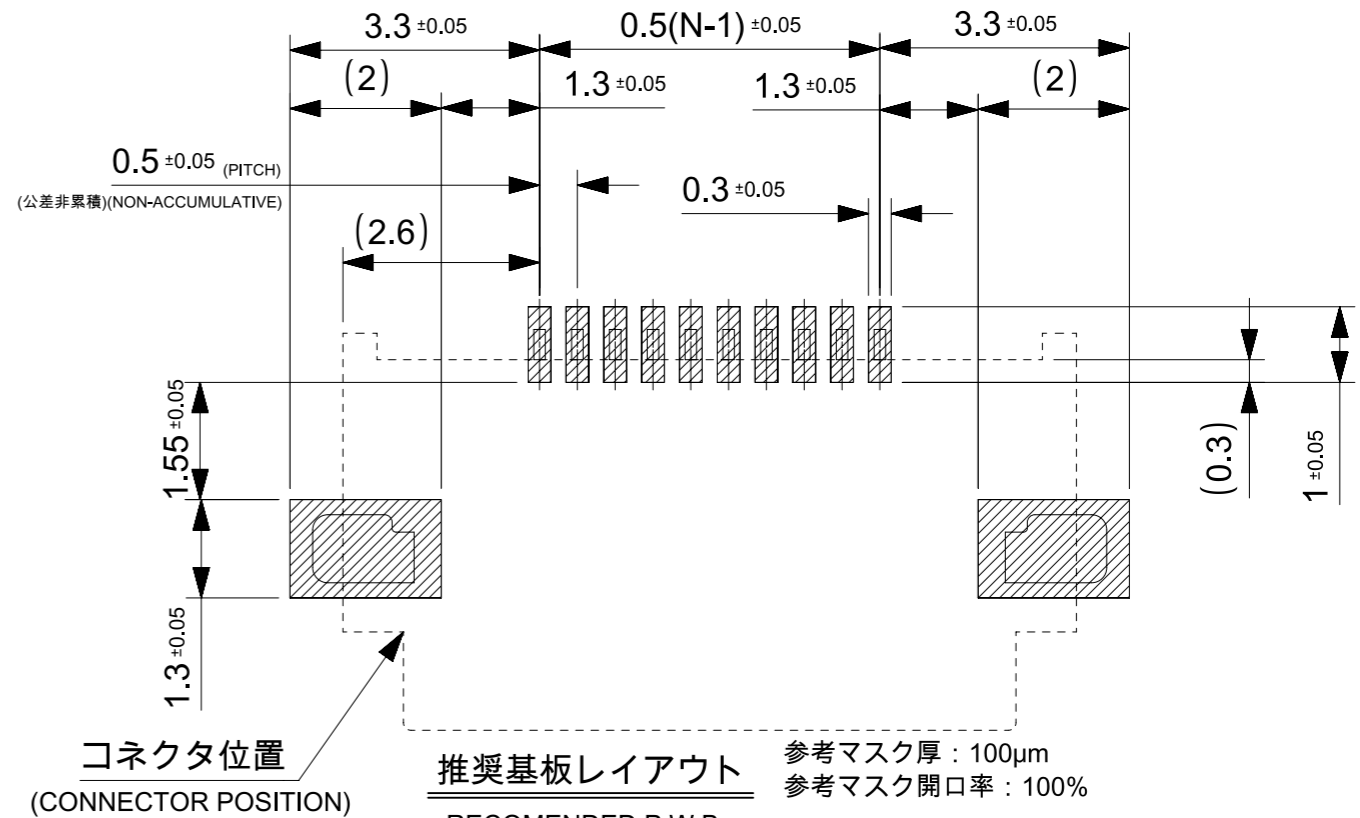
△4 パターン剥離止め用金具
 FITTING NAIL FOR PREVENTION OF PEELING OF P.C.B. PATTERN.

△5 R0.3はFPC/FFC導体部にかからないこと。
 R0.3 MUST NOT BE OVERLAPPED TO PATTERN OF FPC/FFC.

6.N:極数 N:CIRCUIT.

7.ELV及びRoHS適合品
 ELV AND RoHS COMPLIANT

8.テールと金具を併せた平坦度は0.1以下とする。
 TAILS AND NAILS COPLANALITY TO BE 0.1 MAX.



コネクタ位置 (CONNECTOR POSITION)
 推奨基板レイアウト RECOMMENDED P.W.B. PATTERN LAYOUT
 参考マスク厚 : 100μm
 参考マスク開口率 : 100%
 REFERENCE SCREEN THICKNESS : 100μm
 REFERENCE SCREEN OPEN RATIO : 100%

FPC/FFCについて ABOUT FPC/FFC

打ち抜き方向は導体側から補強板側を推奨します。
 導体部については軟箔銅35μmまたは50μmを推奨します。
 FFCに規定された定格温度がFFC単体前提である場合が御座います。
 コネクタと組み合わせた実使用において、接着層が劣化するなどの信頼性を満足できないケースを回避するため、
 実機での評価/確認をお願いいたします。

RECOMMENDED PUNCHING DIRECTION : FROM CONDUCTOR SIDE TO STIFFENER SIDE
 RECOMMENDED CONDUCTOR SPEC : SOFT COPPER FOIL
 RECOMMENDED CONDUCTOR THICKNESS : 35 MICROMETER OR 50 MICROMETER
 NOTE: WHEN ACTUALLY USING IT WITH CONNECTOR, PLEASE DO THE EVALUATION AND THE CONFIRMATION WITH AN ACTUAL EQUIPMENT TO EVADE THE CASE WHERE RELIABILITY CANNOT BE FILLED (THE ADHESIVE LINE OF FFC IS DETERIORATED ETC.)

FPCについて ABOUT FPC

補強フィルム材質はポリイミドを推奨します。ベースフィルムは25μmを推奨します。
 接着剤は熱硬化接着剤を推奨します。
 尚、接着剤の接点部への付着は導通不良の原因になりますので、染み出しが無い様お願い致します。
 RECOMMENDED MATERIAL/THICKNESS.

RECOMMENDED STIFFENER MATERIAL: POLYIMIDE
 RECOMMENDED BASE FILM THICKNESS: 25 MICROMETER
 RECOMMENDED ADHESIVE: THERMOSETTING ADHESIVE

NOTE: PLEASE PUT APPROPRIATE AMOUNT OF ADHESIVE ON ADHEREND BECAUSE THERE IS A POSSIBILITY THAT THE EXTRA ADHESIVE CAUSES THE DEFECT IN ELECTRICAL CONTINUITY.
 THERE IS A POSSIBILITY THAT THE PRESCRIPT TEMPERATURE OF FFC IS SET TO SINGLE IT.

THIS DRAWING CONTAINS INFORMATION THAT IS PROPRIETARY TO MOLEX INCORPORATED AND SHOULD NOT BE USED WITHOUT WRITTEN PERMISSION

EC DESCRIPTION EC NO: 100528 DRWN: FSATO CHK'D: KTAKAHASHI APPR: KMORIKAWA	2015/04/30	2015/06/30	2015/06/30	QUALITY SYMBOLS ▽ = 0 ▽ = 0 ▽ = 0 ▼ = 0 ▽ = 0 ☒ = 0 ■ = 0 ▽ = 0	GENERAL TOLERANCES (UNLESS SPECIFIED) ANGULAR TOL ± 1.0 ° 4 PLACES ± 0.05 3 PLACES ± 0.1 2 PLACES ± 0.2 1 PLACE ± 0.2 0 PLACES ± 0.2 DRAFT WHERE APPLICABLE MUST REMAIN WITHIN DIMENSIONS	DIMENSION UNITS MM	SCALE 10:1	molex 0.5 FPC CONN ZIF E/O 2CONT TYPE HSG ASSY			
	DRWN BY FSATO	DATE 2015/04/30	CHK'D BY KTAKAHASHI			DATE 2015/06/30					
	APPR BY KMORIKAWA	DATE 2015/06/30	PRODUCT CUSTOMER DRAWING			SERIES 505110	MATERIAL NUMBER SEE SHEET 1	CUSTOMER GENERAL			
	REV A	DRAWING SIZE A3				THIRD ANGLE PROJECTION	DOCUMENT NUMBER 5051101001	DOC TYPE PSD	DOC PART 000	SHEET NUMBER 3 OF 3	