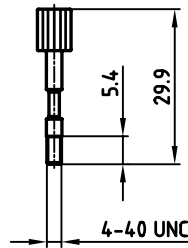
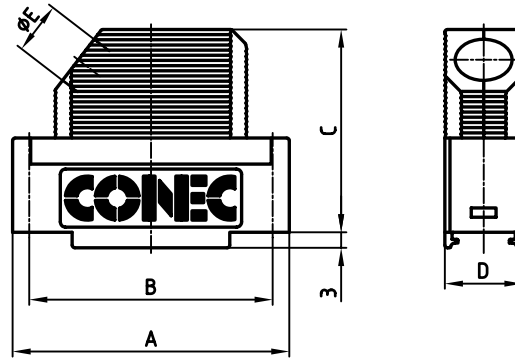
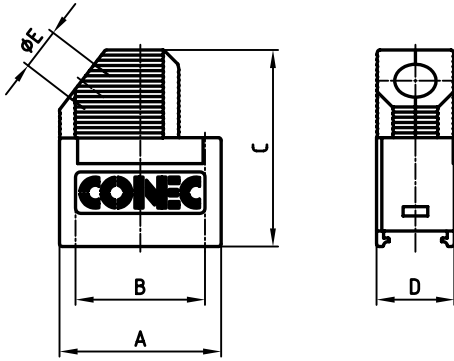


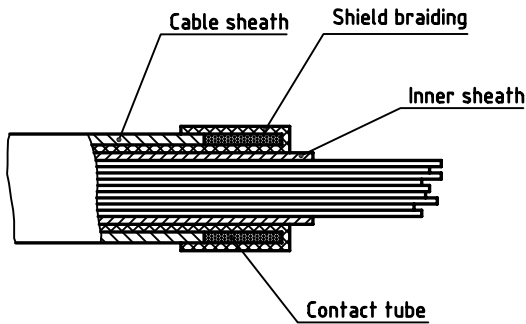
used for: D-SUB

9 way

15 - 50 way



Metal screw with plastic head



No. of pos.	A	B	C	D	ØE	Part no:
9	31.30	25.0	35.15	15.0	8.0	165X11759X
15	39.62	33.3	39.15	15.0	9.0	165X11769X
25	53.52	47.0	39.15	15.0	11.0	165X11779X
37	69.80	63.5	39.15	15.0	11.0	165X11789X
50	67.41	61.1	39.15	19.0	14.5	165X11799X



THIS DRAWING MAY NOT BE COPIED OR REPRODUCED IN ANY WAY, AND MAY NOT BE PASSED ON TO A THIRD PARTY, WITHOUT WRITTEN PERMISSION. OWNERSHIP AND COPYRIGHT OF CONEC GMBH DO NOT ALTER CAD DRAWING BY HAND	tolerance				scale: 1:1
	2002		date	name	material: Polycarbonat + GF black
	drawn	29.01.	Parei		Plastic Hood with side cable exit with shielding, 9 - 50 pos.
	appd.	30.01.	E. Mickenbecker		
	norm	DIN 41652			
	d-old	KAT113AA			dwg no: AutoCAD 2000
		16K1A463A		DIN-A 3	
rev.	description	date	name	part no: SEE TABLE	sh: 1/1