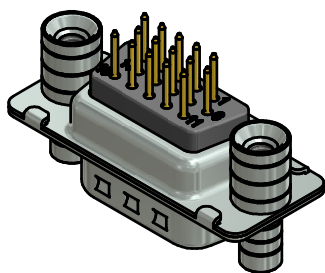
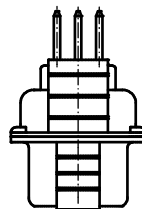
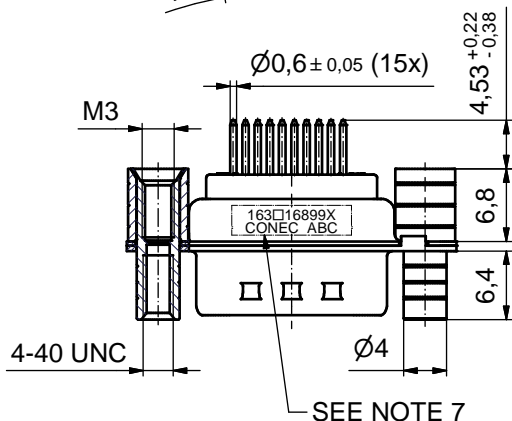
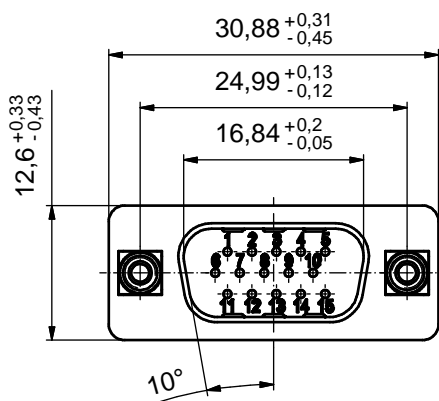
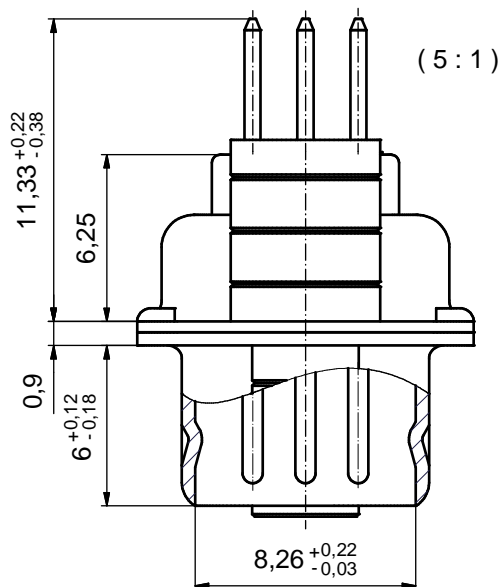


P.C.B. HOLE DRILLINGS
 (P.C.B. TOP SIDE)



NOTES:

- METALSHELLS: STEEL; min. 315µm TIN over 40-80µm NICKEL
- INSULATORS: PBT GF UL 94 V-0; BLACK
- CONTACTS: COPPER ALLOY; PLATING (SEE PART NO.):
 PLEASE ADD A for GOLD FLASH over NICKEL
 PLEASE ADD B for 20µm HARD GOLD over min. 50µm NICKEL
 PLEASE ADD C for 30µm HARD GOLD over min. 50µm NICKEL
- THREADED REAR SPACERS / FRONT THREADED LOCKS: COPPER ALLOY; min. 200µm TIN over 80µm NICKEL
- SLEEVES: COPPER ALLOY; min. 200µm TIN over 80µm NICKEL
- MAXIMUM TORQUE VALUE FOR THREAD: 6 in.LB
- CONNECTOR IS PART MARKED: [163□16899X CONEC ABC] (see note 3)

Directive 2002/95/EC RoHS compliant

THIS DRAWING MAY NOT BE COPIED OR REPRODUCED IN ANY WAY, AND MAY NOT BE PASSED ON TO A THIRD PARTY WITHOUT WRITTEN PERMISSION. OWNERSHIP AND COPYRIGHT OF CONEC GmbH DO NOT ALTER CAD DRAWING BY HAND	tolerance		dim. in mm	scale: 2:1 (5:1)		
				material: SEE NOTES		
	drawn	17.09.13	name	title: D-SUB HD MALE 15pos. SOLDER PIN STRAIGHT with threaded rear spacer and front threaded lock		
	appd.	18.09.13	Fischer			
	norm					
	d-old					
a	Original				dwg no: 16K1A3305 DIN-A3 sh: 1	
rev.	description	date			name	part no: 163□16899X (see note 3)