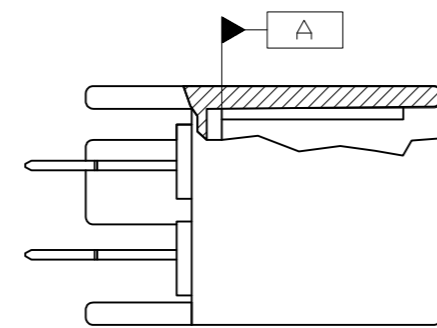
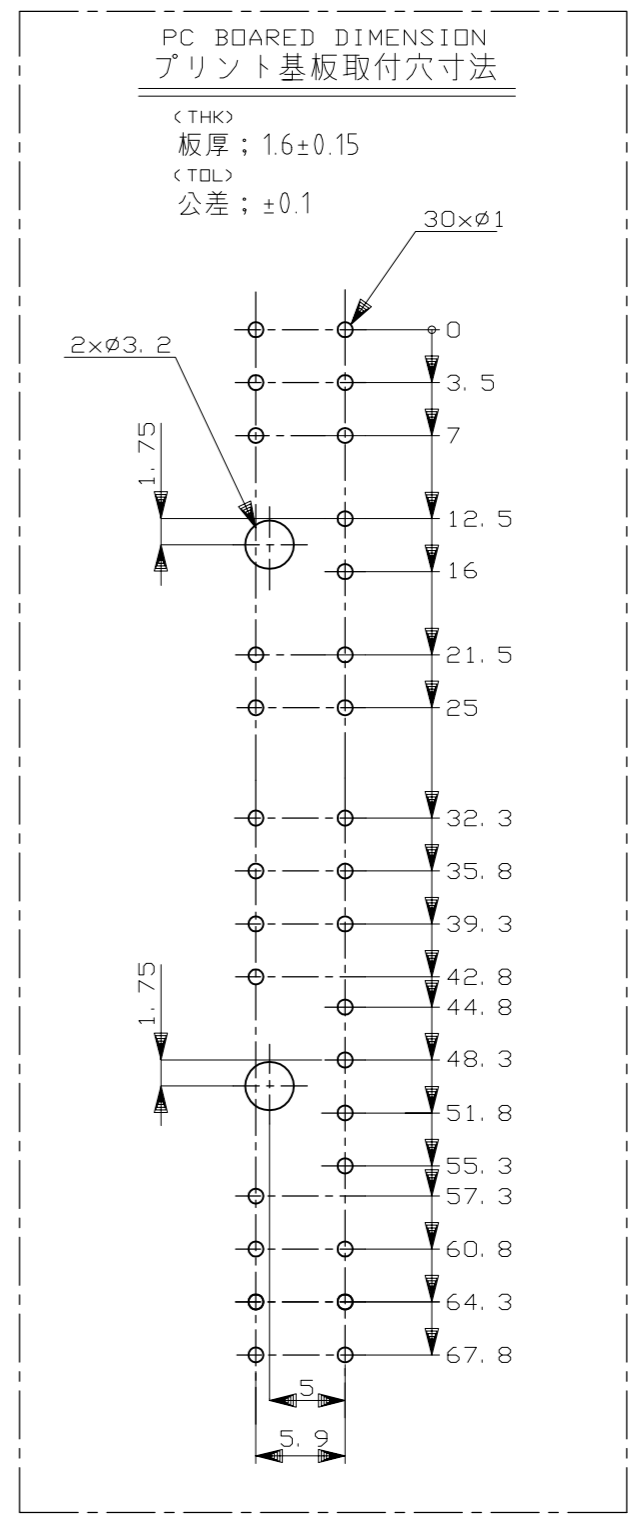
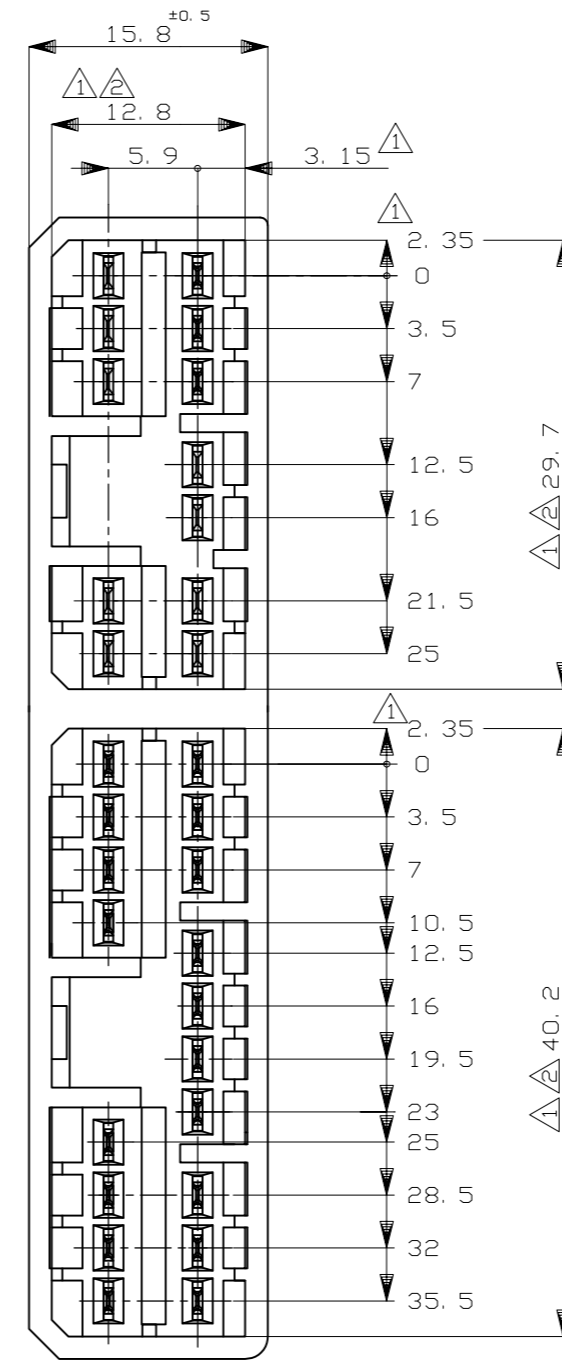
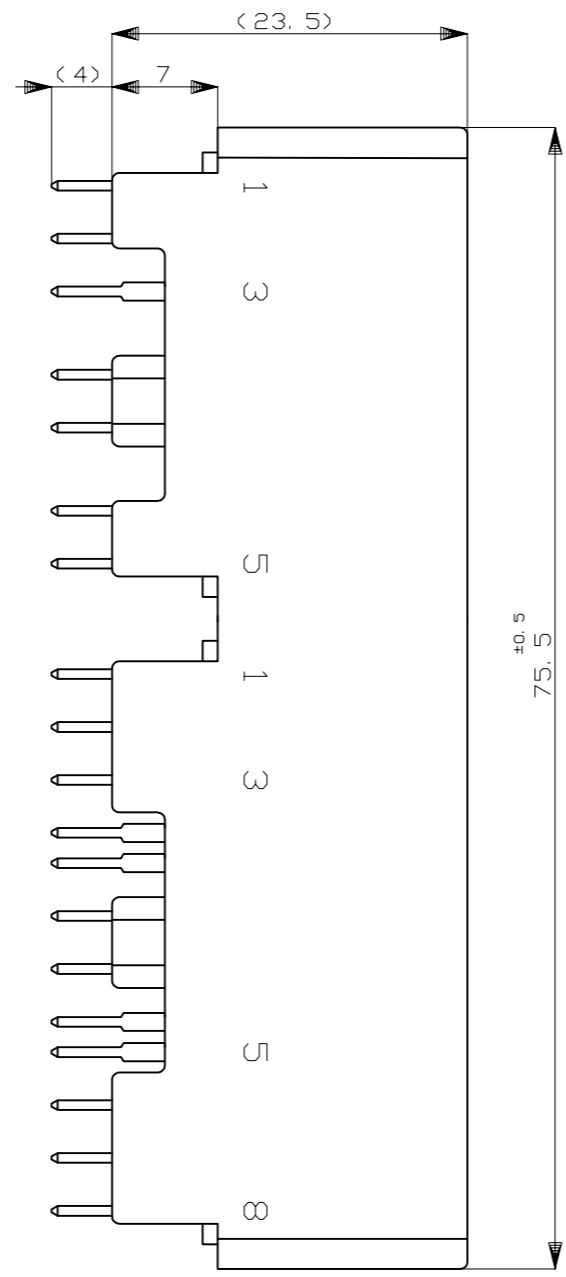
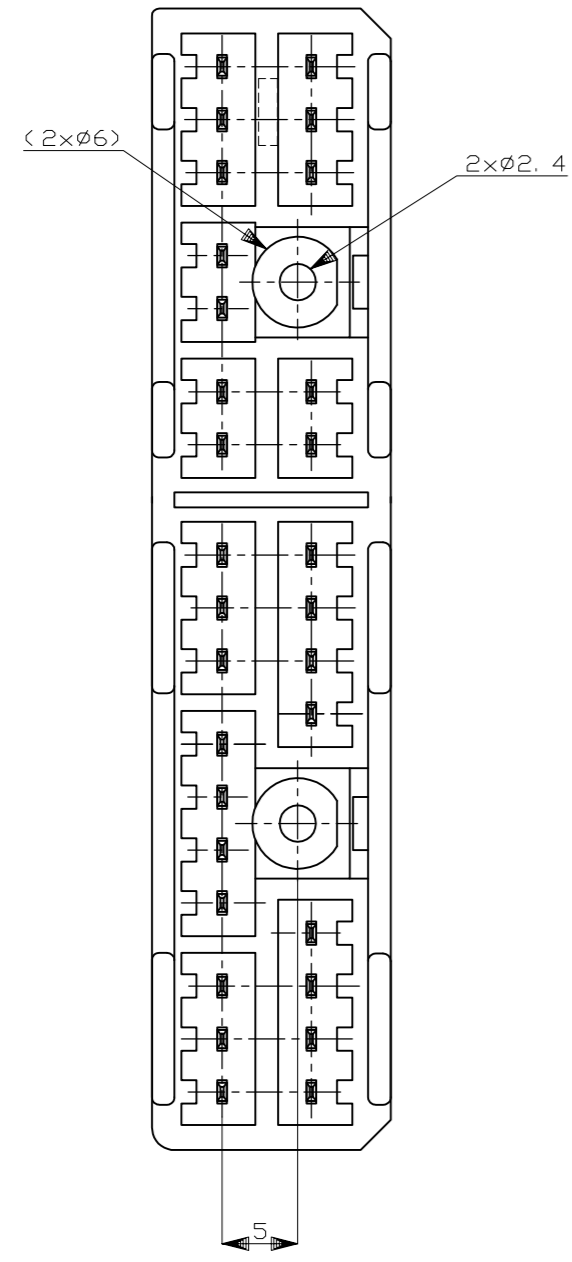


THIS DRAWING IS UNPUBLISHED. RELEASED FOR PUBLICATION - , 2016.
 © COPYRIGHT 2016 By Tyco Electronics JAPAN G.K. ALL RIGHTS RESERVED.

REVISIONS					
P	LTR	DESCRIPTION	DATE	DWN	APVD
F4	REVISED	ECR-16-003280	06SEP2016	KF	HY



- 1 TO BE MEASURED BETWEEN [A] AND 2
- 2 TO BE MATED WITH PLUG HOUSING SMOOTHLY
- 3. TO BE USE M3 TAPPING SCREW JIS B1115 OR 1122 (TYPE 2 OR 4) BEFORE SOLDER
- 4. APPLIED PLUG HOUSING PART NUMBER; 173851, 173853

- 1 [A] 面から2mmの範囲で測定
- 2 相手ハウジングと所定の機能を満たして嵌合できること
- 3. プリント基板への取付けは、JIS B1115 又は 1122, M3×6ナベ (2種又は4種) のタッピンネジで締付けた後ハンダ付けする
- 4. 嵌合相手ハウジング型番; 173851, 173853

TOLERANCE UNLESS OTHERWISE SPECIFIED:
 一般公差

0 <= X <= 10	: ±0.2
10 <= X <= 30	: ±0.25
30 <= X <= 100	: ±0.3
ANGLE	: ±3°
角度	

THIS DRAWING IS A CONTROLLED DOCUMENT.

DIMENSIONS:	TOLERANCES UNLESS OTHERWISE SPECIFIED:
mm	0 PLC ±
	1 PLC ± -
	2 PLC ± -
	3 PLC ± -
	4 PLC ± -
	ANGLES ± -
	FINISH -

MATERIAL: HOUSING; PBT
 CONTACT; BRASS

DWN	T.SHINOHARA	30AUG2012	TE Connectivity	
CHK	K.BETSUI	30AUG2012	070 SERIES MULTI-LOCK CONNECTOR	
APVD	K.BETSUI	30AUG2012	30POSITION CAP HOUSING ASSEMBLY	
PRODUCT SPEC	108-5216		V-TYPE	
APPLICATION SPEC			SIZE	A2
WEIGHT	15 g	CAGE CODE	00779	DRAWING NO
CUSTOMER DRAWING			C=174961	RESTRICTED TO
		SCALE	2:1	SHEET
			1 OF 1	REV
				F4