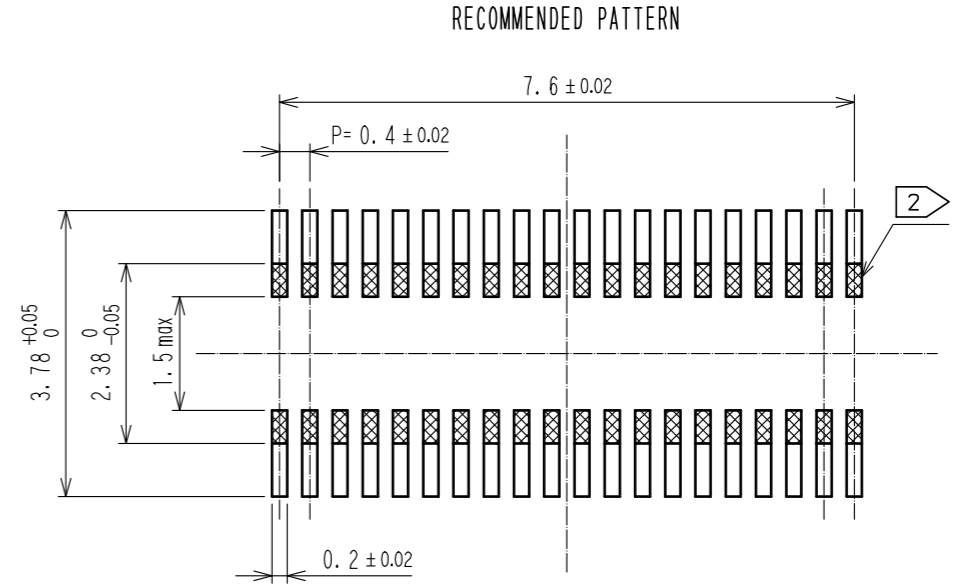
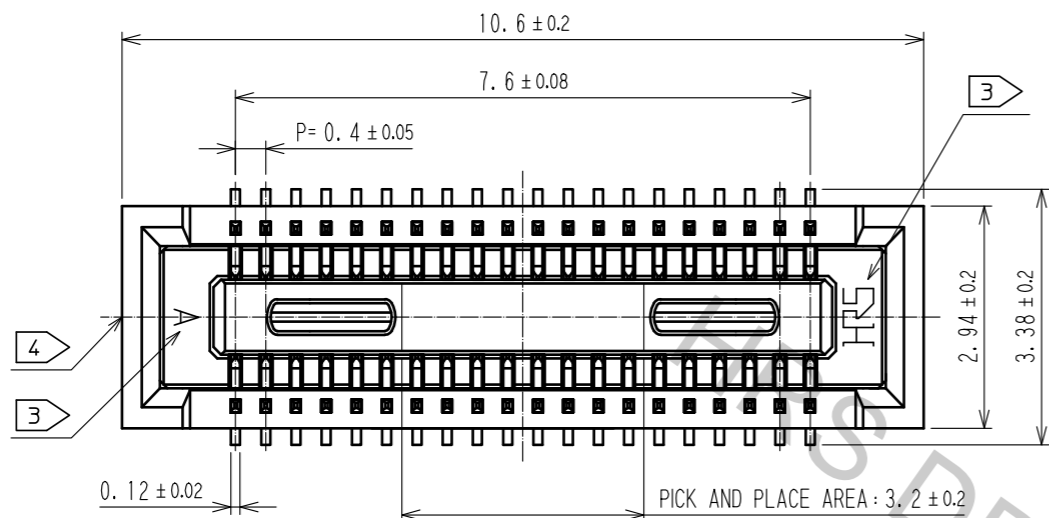
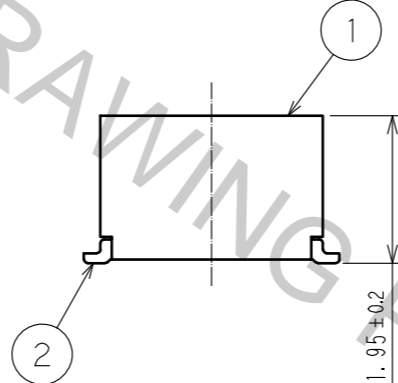
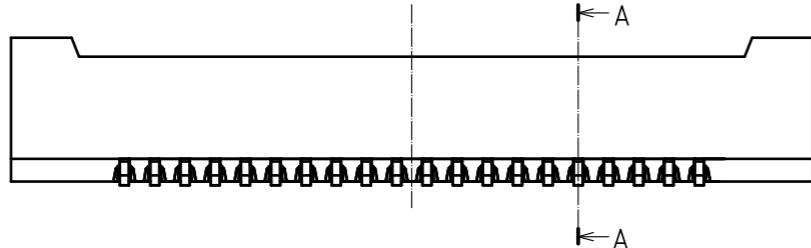


Apr.1.2017 Copyright 2017 HIROSE ELECTRIC CO., LTD. All Rights Reserved.

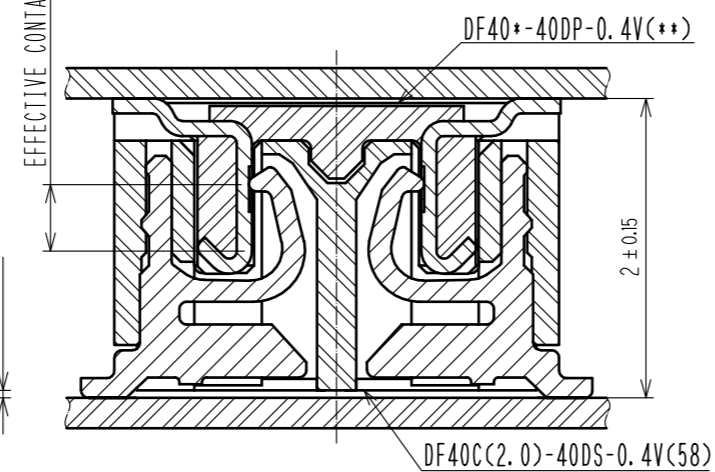
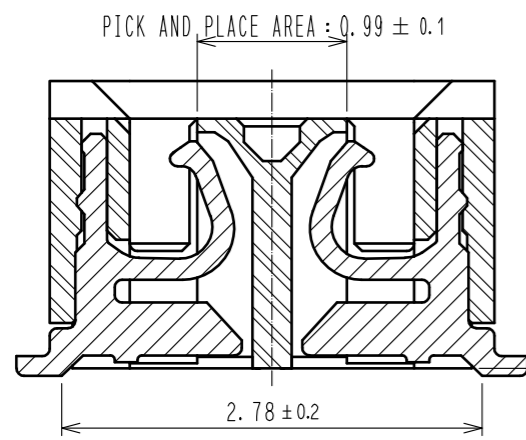


RECOMMENDED METAL MASK THICKNESS : 120 μm  
 RECOMMENDED METAL MASK OPENING RATIO : 80% FOR LEAD PAD



A-A (20:1)

ENGAGEMENT FIGURE (20:1)

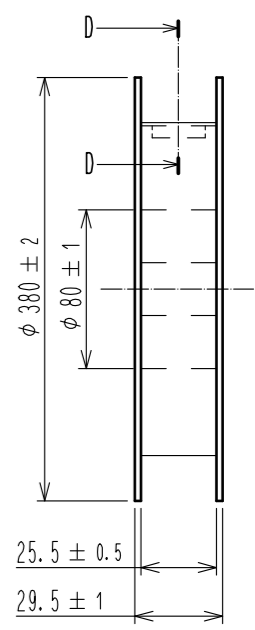
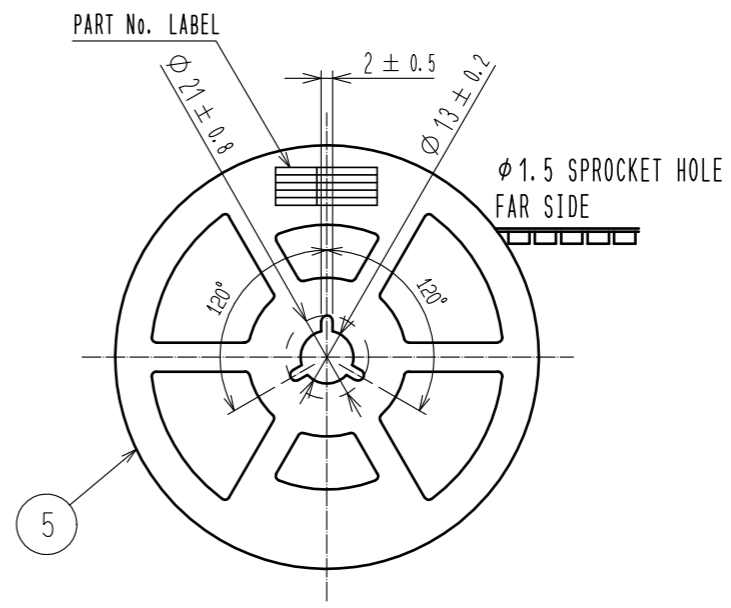
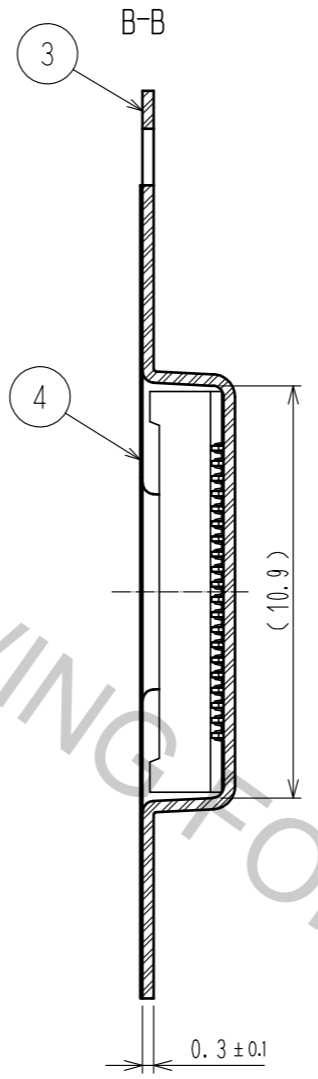
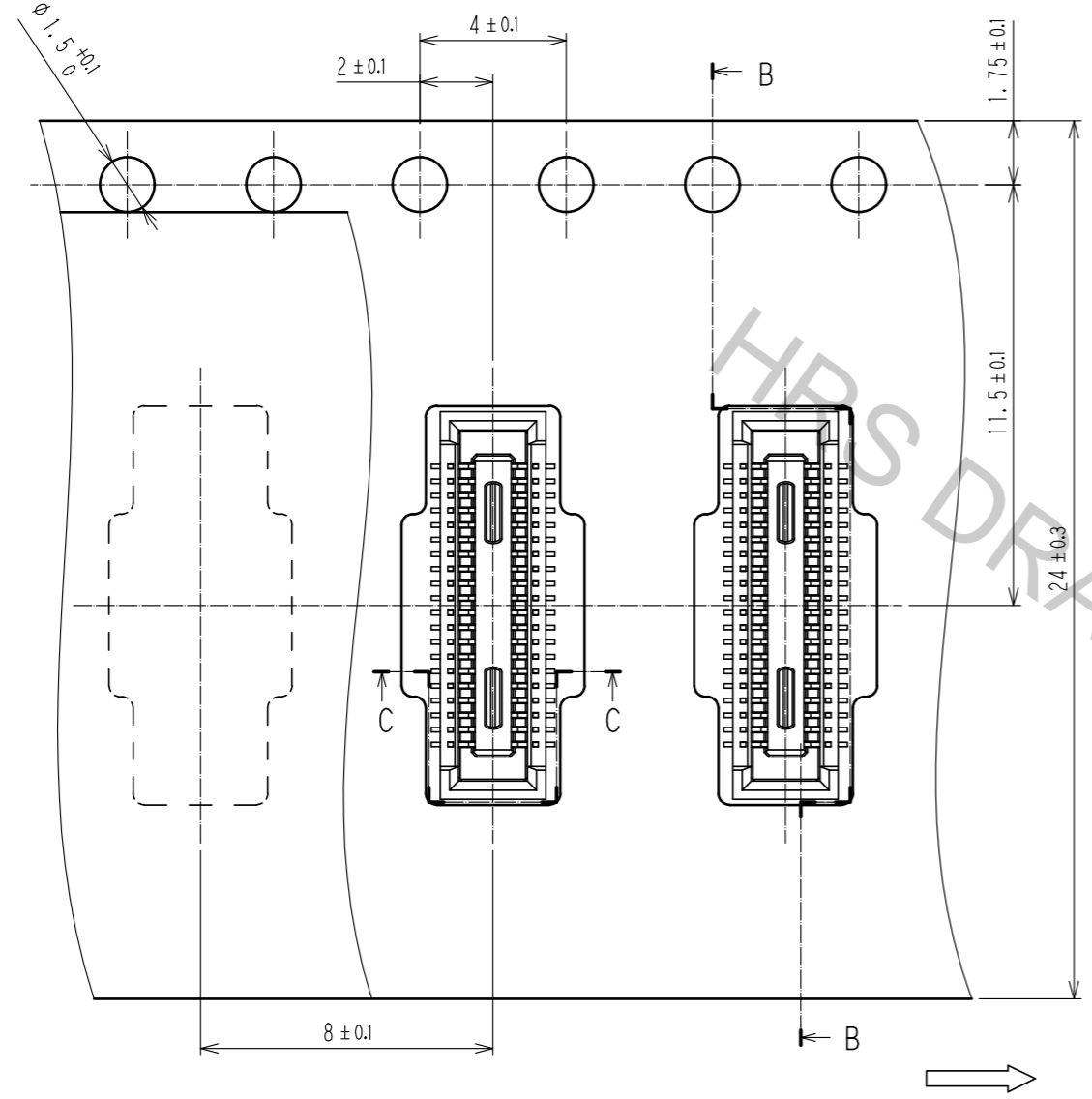


- NOTES
1. ALL LEADS AND REINFORCED METAL FITTINGS CO-PLANARITY SHALL BE 0.1mm MAX.
  2. IS NO PATTERN AREA OTHER THAN THE SAME CIRCUIT.
  3. HRS MARK AND CAV NO. IS INDICATED IN APPROXIMAL POSITION SHOWN.
  4. GATE POSITION IS POSITIONED IN APPROXIMAL AREA SHOWN.  
A PART OF THE WALL COULD BE NOTCHED FOR SETTING GATE.

2	PHOSPHOR BRONZE	CONTACT AREA: Au 0.05 μm MIN SMT LEAD: Au 0.05 μm MIN UNDERPLATING: NICKEL 1 μm MIN	6	PS	CLEAR, REINFORCEMENT COLLAR
			5	PS	BLACK, PLASTIC REEL
			4	POLYESTER	CLEAR, COVER TAPE
1	LCP	BLACK, UL94V-0	3	PS	CLEAR, EMBOSSED CARRIER TAPE
NO.	MATERIAL	FINISH . REMARKS	NO.	MATERIAL	FINISH . REMARKS
UNITS		SCALE	COUNT	DESCRIPTION OF REVISIONS	
mm		10:1		DESIGNED	CHECKED
<b>HRS</b> HIROSE ELECTRIC CO., LTD.		APPROVED : MO. ISHIDA	15.07.15	DRAWING NO. EDC-315044-58-01	
		CHECKED : TS. MIYAZAKI	15.07.15	PART NO. DF40C(2.0)-40DS-0.4V(58)	
		DESIGNED : SH. HOSODA	15.07.15	CODE NO. CL684-4042-5-58	
		DRAWN : KR. AJITO	15.07.15	1/2	

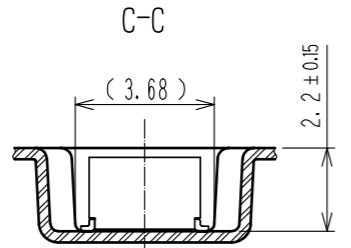
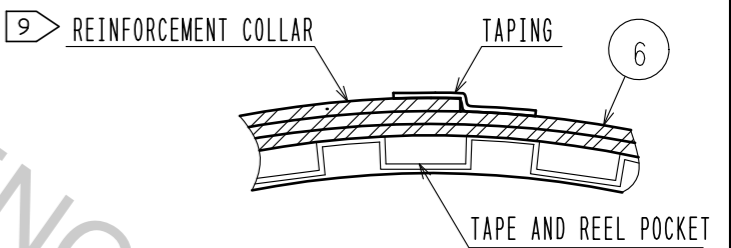
EMBOSSED CARRIER TAPE PACKING(5:1)

STYLE AND DIMENSION OF REEL(FREE)

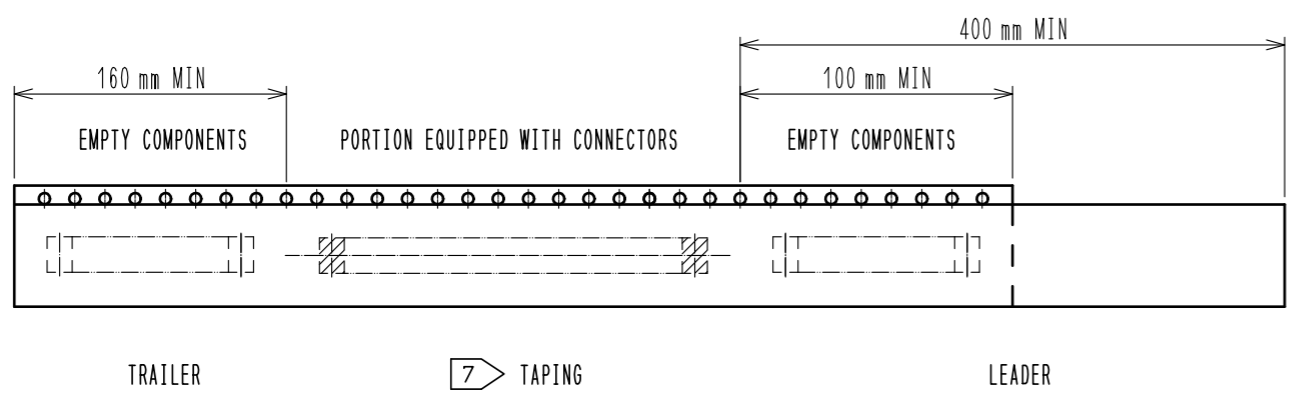


8 DETAIL OF PART No. LABEL

製造年月日	** ** *
製品コード	CL684-4042-5-58
製品名	DF40C(2.0)-40DS-0.4V(58)
数量	1000
納入者	ヒロセ電機(株)



DIRECTION OF UNREELING



- NOTES
- PER REEL 1000 CONNECTORS.
  - THE DIMENSIONS IN PARENTHESES ARE FOR REFERENCE.
  - REFER TO JIS C 0806, IEC 60286-3 (PACKING OF COMPONENTS FOR AUTOMATIC HANDLING)
  - DETAIL OF PART No. LABEL IS WRITTEN IN JAPANESE. PART NO. LABEL DESCRIBES THE FOLLOWING INFORMATION FROM TOP:  
 PRODUCTION DATE:  
 PRODUCT CODE: CL684-4042-5-58  
 PART NUMBER: DF40C(2.0)-40DS-0.4V(58)  
 NUMBER OF PIECES: 1000 PIECES  
 SUPPLIER NAME: HIROSE ELECTRIC CO., LTD.
  - AFTER PACKAGING, ROLL 2 METERS OF THE REINFORCEMENT COLLAR TO OUTER CIRCUMFERENCE OF TAPE AND REEL POCKET, AND TAPE DOWN AT THE END THE COLLAR.

<b>HRS</b>	DRAWING NO.	EDC-315044-58-01
	PART NO.	DF40C(2.0)-40DS-0.4V(58)
	CODE NO.	CL684-4042-5-58
		△ 2/2

Apr.1.2017 Copyright 2017 HIROSE ELECTRIC CO., LTD. All Rights Reserved.