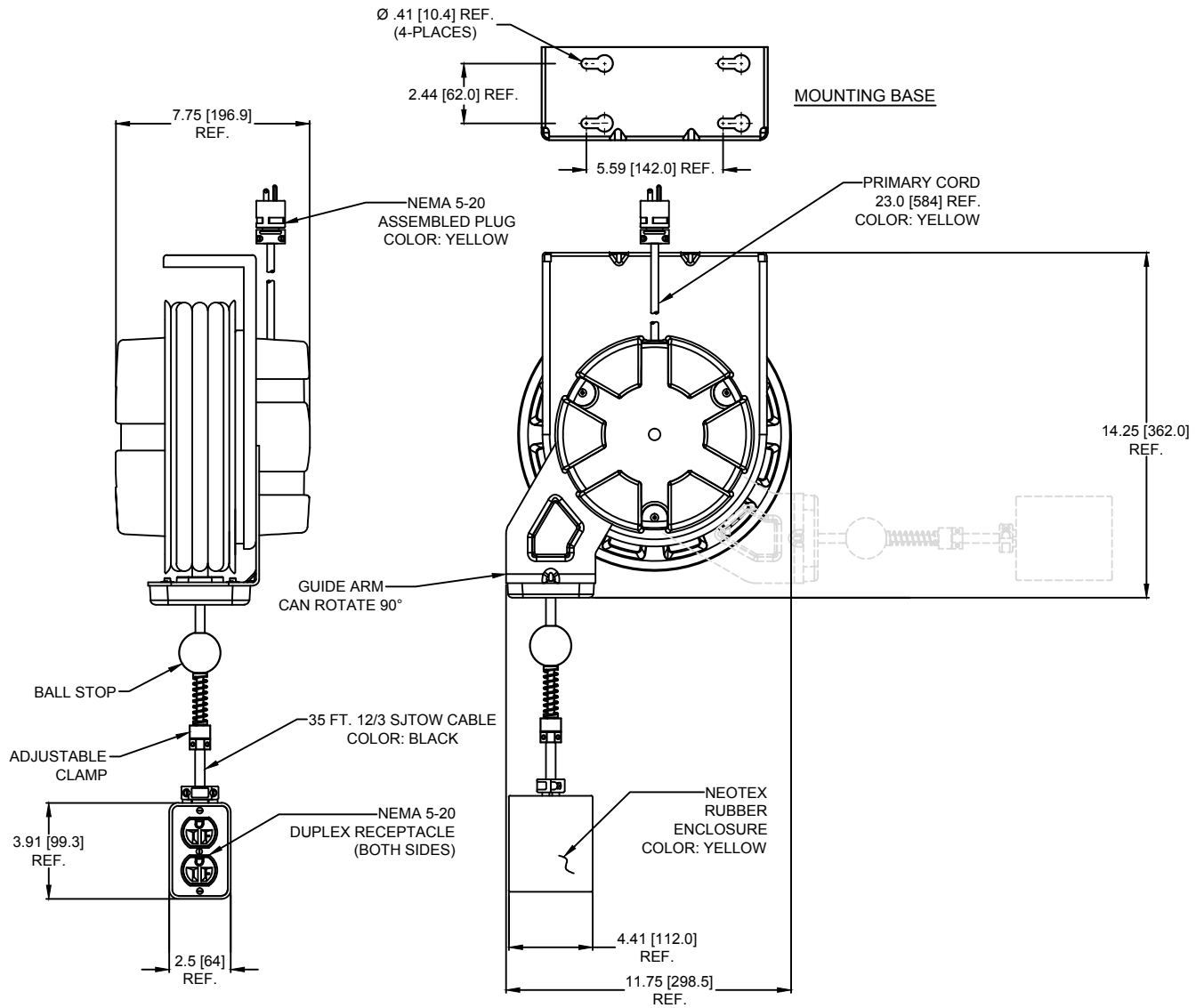




ORDER NO.	1300910201
WOODHEAD ENG. NO.	998-3080
WIRE GAUGE	12
CONDUCTORS	3
AMPERAGE	20A
CORD LENGTH	35 FT [10.6 M]
CORD TYPE	SJTOW
CONSTRUCTION	SHEET METAL
PAINT	YELLOW POWDER COAT
REEL ENCLOSURE RATING	INDOOR
RETRACTION WEIGHT	3.0 LB [1.4 KG]



NOTES:

- CABLE GUIDE IS ADJUSTABLE - DUAL POSITION
- RATCHET LOCK IS EASY TO DISENGAGE FOR CONSTANT TENSION.
- REEL CANNOT BE "LOCKED OUT" AT FULL TENSION.
- BALL STOP INCLUDED
- CSA CERTIFIED  FILE NO. LR29921

RELEASE SALES DRAWING EC NO: IPC2016-0112 DRWN: HRUIZ01 2015/07/23 CHKD: KCOX01 2015/07/23 APPR: JFMURPHY 2015/09/17	DESCRIPTION REV	QUALITY SYMBOLS $\nabla=0$ $\nabla C=0$	GENERAL TOLERANCES (UNLESS SPECIFIED)		DIMENSION STYLE INCH/MM		SCALE NTS	DESIGN UNITS INCH	 THIRD ANGLE PROJECTION	
		4 PLACES ±--- ±---	mm ±--- INCH ±---	DRAWN BY DATE HRUIZ01 2015/07/23	TITLE CORD REEL W/ 3080-10 BOX 35' #12-3 SJTOW NEMA 5-20 PLUG					
		3 PLACES ±--- ±.005	2 PLACES ±.13 ±.010	CHECKED BY DATE KCOX01 2015/07/23	MATERIAL NO. 1300910201		DOCUMENT NO. SD-130091-011	SHEET NO. 1 OF 1		
		1 PLACE ±.25 ±.020	ANGULAR ±1/2°	APPROVED BY DATE JFMURPHY 2015/09/17	MOLEX INCORPORATED					
DRAFT WHERE APPLICABLE MUST REMAIN WITHIN DIMENSIONS			THIS DRAWING CONTAINS INFORMATION THAT IS PROPRIETARY TO MOLEX INCORPORATED AND SHOULD NOT BE USED WITHOUT WRITTEN PERMISSION							