

SKY74038: 2.6 GHz/800 MHz Dual Fractional-N/Integer-N Frequency Synthesizer

Applications

- Multi-slot GSM/DCS
- PCS/W-CDMA
- Portable communication systems
- Dual-mode cellular telephone systems
- Spread spectrum receivers
- Wireless LAN systems
- Wireless routers and WLL systems
- SATCOM receivers

Features

- Maximum operating frequency: 2.6 GHz
- Maximum IF synthesizer frequency: 800 MHz
- Supply voltage as low as 2.6 V
- Fast frequency settling time with fractional-N operation
- Internal fractional spur reduction
- Programmable charge pump currents
- Digital lock detector
- Power saving at lower frequency
- Two package options, both 20-pin, 6.5 x 4.4 x 1.0 mm TSSOPs:
 - SKY74038-13 (MSL3, 225 °C per JEDEC J-STD-020)
 - SKY74038-21, Pb-free (MSL3, 260 °C per JEDEC J-STD-020)

NEW

Skyworks offers lead (Pb)-free, RoHS (Restriction of Hazardous Substances) compliant packaging.

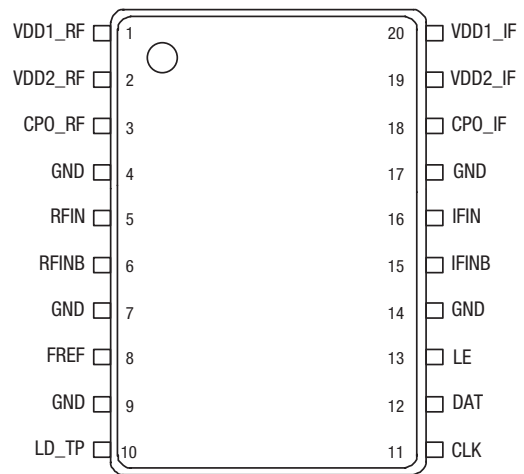


Description

Skyworks SKY74038 is a complete, low-power 2.6 GHz/800 MHz dual frequency synthesizer. The device provides both Radio Frequency (RF) channels and Intermediate Frequency (IF) channels. Fractional-N operation offers low phase noise, fast settling time, and low spurious tones for RF channels. A standard integer-N division is used for IF channels.

The three-wire serial interface provides programmable control of the frequency synthesizer to support dual-conversion transceivers.

The SKY74038 is available as a 20-pin Thin Shrink Small Outline Package (TSSOP) (-13 option) or as a Pb-free 20-pin TSSOP (-21 option). The device package and pin configuration are shown in Figure 1. A functional block diagram of the SKY74038 is shown in Figure 2.



C1452

Figure 1. SKY74038 Pinout – 20-Pin TSSOP (Top View)

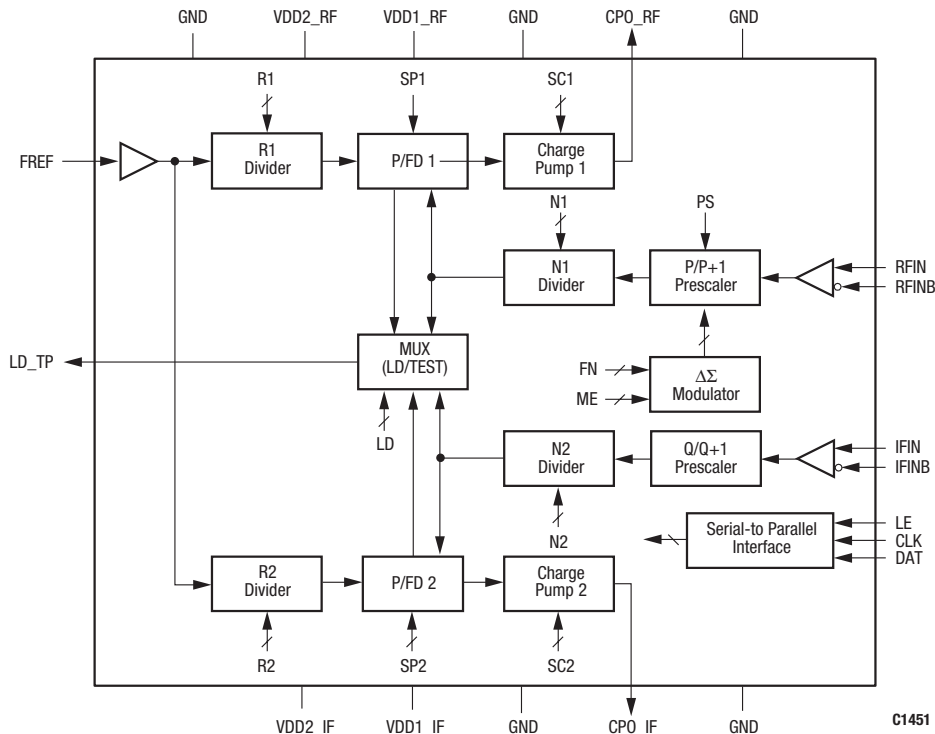


Figure 2. SKY74038 Block Diagram

Technical Description

The SKY74038 is a fractional-N frequency synthesizer using a $\Delta\Sigma$ modulation technique. The fractional-N implementation provides low in-band noise by having a low division ratio and fast frequency settling time. In addition, the SKY74038 provides arbitrarily fine frequency resolution with digital words, so that the frequency synthesizer can be used to compensate for crystal frequency drift in the RF transceiver.

$\Delta\Sigma$ Modulator

Fractional spurs are the primary limitation of conventional fractional-N synthesizers. The SKY74038 $\Delta\Sigma$ technique improves the synthesizer performance by randomizing the spurs using internal dithering.

Serial Interface

The serial interface is a versatile three-wire interface consisting of three pins: the serial clock (CLK), serial input (DAT), and Latch Enable (LE). This interface enables the SKY74038 to operate in a system where one or multiple masters and slaves are present. For more information, refer to the Synthesizer Register Programming section of this document.

As shown in Figure 3, LE is set low before the rising edge of the first clock (CLK) pulse and is held low until after the last (22nd) clock pulse, at which time LE is set high. The data word is transferred to the correct device register when LE is high (there are four internal registers selected by the D1 and D0 bits of the 22-bit data/address word. See Figure 4). If the LE signal does not go high, the data does not get transferred to the register.

Between each 22-bit data/address word transfer, LE must be pulsed to make the transfer to the specific device register. Data/address transfer is MSB first.

LE must not go high when CLK is high; otherwise, the data word is not transferred to the register. LE must only go high after CLK has gone low.

After the transfer of the last 22-bit data/address word, the LE signal can be left in a high state. It does not have to be returned to a low state unless another data/address word transfer is required.

It is not necessary to write all four data/address words to the synthesizer to make a change in programming. For example, if a change to the Lock Detect (LD) pin operation is desired, only word 00 has to be changed.

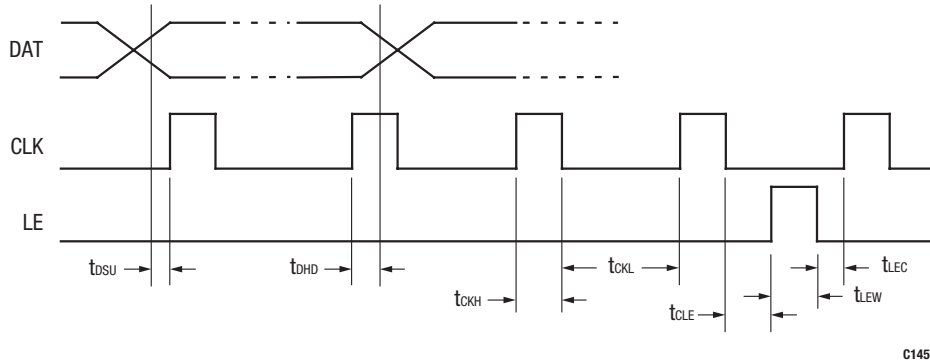


Figure 3. SKY74038 Serial Data Input Timing Diagram (MSB First)

MSB											LSB											
D21	D20	D19	D18	D17	D16	D15	D14	D13	D12	D11	D10	D9	D8	D7	D6	D5	D4	D3	D2	D1	D0	
R2 DIVIDER											LD		SC2		0	0	IF					
N2 DIVIDER														EN		SP2		1	0			
ME											R1 DIVIDER		PS	SC1	SP1	0	1	RF				
N1 DIVIDER										FN					1	1						

C1456

Figure 4. SKY74038 Serial Data Word Format

Registers

The SKY74038 includes four 22-bit registers that can be programmed independently in any order. Bits D0 and D1 represent the register addresses. For more information on registers, addresses, and format, refer to the Synthesizer Register Programming section of this document.

A dithering disable function is accessible via word 00, data bits 21 and 20. When the RF synthesizer is programmed for fractional divide values, bits [21:20] should be programmed to 10b to enable dithering. However, when the RF synthesizer is programmed to output a frequency that is a whole integer multiple of the comparison frequency, the synthesizer should be programmed to disable dithering (bits [21:20] = 11b). This improves the phase noise when operating on integer-N boundaries. These data bits must be programmed after power-up; otherwise, erroneous device operation may occur. Refer to the Synthesizer Register Programming section of this document for bit definitions.

Voltage Controlled Oscillator (VCO) Prescalers

The VCO prescalers, P/P+1 and Q/Q+1, provide low noise signal conditioning of the VCO signals. They translate from an off-chip, single-ended or differential signal to an on-chip differential signal. By changing the PS bit, the RF synthesizer has the option to use

either the 8/9 or the 16/17 prescaler depending on the desired operational frequency. The maximum frequency is 2.6 GHz for the 16/17 prescaler and 1.4 GHz for the 8/9 prescaler. The IF synthesizer has a fixed 16/17 prescaler with a maximum frequency of 800 MHz.

RF and IF Dividers

The SKY74038 provides programmable dividers that control the prescaler and supply the divided VCO signals to the charge pump phase detectors. Programmable ratios on the RF fractional-N synthesizer ranging from 256 to 2¹² are possible with the 16/17 prescaler, and from 64 to 2¹¹ with the 8/9 prescaler. The IF integer-N synthesizer has a programmable divide ratio ranging from 256 to 2¹⁷.

Reference Frequency Dividers

The reference signal can be divided by a ratio of 1 to 7 for the RF reference divider (R1) and from 1 to 8192 for the IF reference divider (R2). The input frequency for the reference signal can be as high as 50 MHz.

Phase Detectors and Charge Pumps

The SKY74038 uses a separate charge pump phase detector for each synthesizer. The IF and RF Phase/Frequency Detector (PFD) can have a programmable charge pump current from 0.4 mA to 1.6 mA and 120 μA to 480 μA, respectively.

For optimum performance, the divided reference frequency presented at the phase detector input must not exceed 9 MHz using the RF 16/17 prescaler synthesizer mode, 15 MHz using the RF 8/9 prescaler, or 2 MHz for the IF synthesizer mode. The comparison frequency is also limited by the desired frequency divided by the minimum divide ratio.

The charge pump can be programmed to a high impedance (Hi-Z) state for open-loop VCO modulation use.

Lock Detection

The output of the IF/RF dividers (R1, N1, R2, N2) and lock detectors for both synthesizers can be multiplexed to the LD pin. When programmed for lock detection, the SKY74038 provides an active low output to indicate the out-of-lock condition. When locked, the LD pin is high.

Power Down

The SKY74038 supports a number of power-down modes through the serial interface. Both IF and RF synthesizer blocks can be powered down, powered up individually, or both powered up using the EN bits (see the Synthesizer Register Programming section of this document). The SKY74038 is enabled at power up by default.

Synthesizer Register Programming

IF Integer-N Synthesizer. The N2 17-bit divider ratio is calculated using the following equation:

$$IF = N2 \times \frac{F_{REF}}{R2}$$

As with all integer-N synthesizers, the minimum step size is related to the divided reference frequency, F_{REF} .

RF Fractional-N Synthesizer. The N1 divider ratio is calculated using the following equation:

$$RF = \frac{F_{REF}}{R1} \times N1_{Total}$$

where: $N1_{Total} = N1 + 3.5 + FN + ME$

FN sets the fractional-N modulo up to 256 modulo, as calculated by the following equation:

$$FN = D_9 \left(\frac{1}{2} \right) + D_8 \left(\frac{1}{2^2} \right) + D_7 \left(\frac{1}{2^3} \right) + \dots + D_2 \left(\frac{1}{2^8} \right)$$

where D_n represents the bit locations within the register field.

The fractional modulo can be extended up to 2^{21} using the modulo extender (ME), if required, as shown by the following equation:

$$ME = D_{21} \left(\frac{1}{2^9} \right) + D_{20} \left(\frac{1}{2^{10}} \right) + D_{19} \left(\frac{1}{2^{11}} \right) + \dots + D_9 \left(\frac{1}{2^{21}} \right)$$

Because of the way the $\Delta\Sigma$ modulator is implemented in the SKY74038, the number 3.5 must be added to the division number to obtain the final division ratio. If the integer field of the N divider shows a non-integer number, the desired frequency or the division fraction portion needs to be adjusted.

Sample calculations for two fractional-N applications are shown in Figure 5.

Package and Handling Information

Since the device package is sensitive to moisture absorption, it is baked and vacuum packed before shipping. Instructions on the shipping container label regarding exposure to moisture after the container seal is broken must be followed. Otherwise, problems related to moisture absorption may occur when the part is subjected to high temperature during solder assembly.

The following two product options are available for the SKY74038:

- The SKY74038-13 is rated to Moisture Sensitivity Level 3 (MSL3) at 225 °C. It should only be used with lead solder.
- The SKY74038-21 is rated to MSL3 at 260 °C and can be used with either lead or lead-free solder.

Care must be taken when attaching this product, whether it is done manually or in a production solder reflow environment. Production quantities of this product are shipped in a standard tape and reel format. For packaging details, refer to the Skyworks Application Note, *Tape and Reel*, document number 101568.

Electrical and Mechanical Specifications

Signal pin assignments and functional pin descriptions are specified in Table 1. The absolute maximum ratings of the SKY74038 are provided in Table 2. The recommended operating conditions are specified in Table 3 and electrical characteristics are provided in Table 4.

Table 5 provides the register descriptions. Package dimensions for the SKY74038 are shown in Figure 6 and tape and reel dimensions for the 20-pin TSSOP package are shown in Figure 7.

Electrostatic Discharge Information

The SKY74038 is a static-sensitive electronic device. Do not operate or store near strong electrostatic fields. Take proper ESD precautions.

Case 1: To achieve a desired F_{VCO_RF} frequency of 2440.2 MHz using a crystal frequency of 24 MHz with operation of the synthesizer in RF mode using the 16/17 prescaler ($PS = 1$). R1 is set to divide by 3 to achieve a comparison frequency of 8 MHz, since the maximum internal reference frequency is 9 MHz. Divide the operating frequency by the internal reference frequency to determine the value of N_{Total} :

$$N_{Total} = \frac{2440.2 \text{ MHz}}{8 \text{ MHz}}$$

$$= 305.025$$

Subtract 3.5 from N_{Total} and remove the fractional portion of the result to determine N1:

$$305.025 - 3.5 = 301.525$$

$$N1 = 301 \text{ (decimal)}$$

$$\text{Fractional portion} = 0.525 \text{ (decimal)}$$

$$N1 = 000100101101 \text{ (binary)}$$

$$D_{21} \text{ -----} D_{10} \text{ Register Address } 11_2$$

Multiply the fractional portion of N1 by 256 and remove the fractional portion of the result to determine FN:

$$0.525 \times 256 = 134.4$$

$$FN = 134 \text{ (decimal)}$$

$$FN = 10000110 \text{ (binary)}$$

$$D_9 \text{ -----} D_2 \text{ Register Address } 11_2$$

Divide FN by 256 to determine the actual fractional portion:

$$\frac{134}{256} = 0.5234375$$

Subtract this result from the fractional portion of N1:

$$0.525 - 0.5234375 = 0.0015625$$

Multiply this result by 2097152 (the 21-bit $\Delta\Sigma$ modulator value 2^{21}) and remove the fractional portion to determine the ME:

$$0.0015625 \times 2097152 = 3276.8$$

$$ME = 3276 \text{ (decimal)}$$

$$ME = 0110011001100 \text{ (binary)}$$

$$D_{21} \text{ -----} D_9 \text{ Register Address } 01_2$$

In this example, N1 is greater than 256, the minimum divide ratio for the 16/17 prescaler.

C1454

Figure 5. Fractional-N Applications: Sample Calculation (1 of 2)

Case 2: To achieve a desired F_{VCO_RF} frequency of 1400 MHz using a crystal frequency of 13 MHz with operation of the synthesizer in RF mode using the 8/9 prescaler (PS = 0). The crystal frequency does not need to be divided further, since the maximum comparison frequency is 15 MHz. Divide the operating frequency by the internal reference frequency to determine the value of N_{Total} :

$$N_{Total} = \frac{1400 \text{ MHz}}{13 \text{ MHz}}$$

$$= 107.6923076$$

Subtract 3.5 from N_{Total} and remove the fractional portion of the result to determine $N1$:

$$107.6923076 - 3.5 = 104.1923076$$

$$N1 = 104 \text{ (decimal)}$$

$$\text{Fractional portion} = 0.1923076 \text{ (decimal)}$$

$$N1 = 000001101000 \text{ (binary)}$$

D_{21} ----- D_{10} Register Address 11₂

Multiply the fractional portion of $N1$ by 256 and remove the fractional portion of the result to determine FN :

$$0.1923076 \times 256 = 49.230746$$

$$FN = 49 \text{ (decimal)}$$

$$FN = 00110001 \text{ (binary)}$$

D_9 ----- D_2 Register Address 11₂

Divide FN by 256 to determine the actual fractional portion:

$$\frac{49}{256} = 0.1914962$$

Subtract this result from the fractional portion of $N1$:

$$0.1923076 - 0.1914962 = 0.0009014$$

Multiply this result by 2097152 (the 21-bit $\Delta\Sigma$ modulator value 2^{21}) and remove the fractional portion to determine the ME :

$$0.0009014 \times 2097152 = 1890.3728$$

$$ME = 1890 \text{ (decimal)}$$

$$ME = 0011101100010 \text{ (binary)}$$

D_{21} ----- D_9 Register Address 01₂

In this example, $N1$ is greater than 64, the minimum divide ratio for the 8/9 prescaler.

C1455

Figure 5. Fractional-N Applications: Sample Calculation (2 of 2)

Table 1. SKY74038 Signal Descriptions

Pin #	Pin Name	I/O	Description	Pin #	Pin Name	I/O	Description
1	VDD1_RF	—	Power supply for RF digital circuits	11	CLK	I	Serial interface clock input
2	VDD2_RF	—	Power supply for RF analog circuits	12	DAT	I	Serial interface data input
3	CPO_RF	0	RF charge pump output	13	LE	I	Serial interface Latch Enable input
4	GND	—	Ground	14	GND	—	Ground
5	RFIN	I	RF prescaler input	15	IFINB	I	IF prescaler complementary input
6	RFINB	I	RF prescaler complementary input	16	IFIN	I	IF prescaler input
7	GND	—	Ground	17	GND	—	Ground
8	FREF	I	Reference divider input	18	CPO_IF	0	IF charge pump output
9	GND	—	Ground	19	VDD2_IF	—	Power supply for IF analog circuits
10	LD_TP	0	Multiplexed output from lock detectors and dividers	20	VDD1_IF	—	Power supply for IF digital circuits

Table 2. Absolute Maximum Ratings

Parameter	Minimum	Maximum	Units
Power supply with GND = 0 V	-0.3	+3.6	V
Voltage on any pin	GND		V
Storage temperature	-65	+150	°C

Note: Exposure to maximum rating conditions for extended periods may reduce device reliability. There is no damage to device with only one parameter set at the limit and all other parameters set at or below their nominal values.

Table 3. Recommended Operating Conditions

Parameter	Min	Max	Units
Power supply	2.6	3.6	V
Operating junction temperature	-40	+100	°C
Operating ambient temperature (T _A)	-40	+85	°C

Table 4. Electrical Characteristics
(VDD = 2.7 V, TA = 25 °C, unless otherwise noted)

Parameter	Symbol	Test Conditions	Minimum	Typical	Maximum	Units
Supply voltage		RF/IF	2.6	2.7	3.6	V
Supply current		RF @2.5 GHz IF RF/IF @2.5 GHz-RF Standby		6.5 1.9 8.2	10	mA mA mA µA
Operating input frequency		RF (PS = 1) RF (PS = 0) IF (@ -40 °C to +85 °C)	0.1 0.1 1		2.6 1.4 800	GHz GHz MHz
Reference input frequency					50	MHz
Phase detector frequency		RF (PS = 1) RF (PS = 0) IF (@ -40 °C to +85 °C)			9 15 2	MHz MHz MHz
Prescaler input sensitivity		RF IF (@ -40 °C to +85 °C)	-15 -15		+ 6 + 6	dBm dBm
Prescaler input impedance		RF @ 2.5 GHz IF @ 480 MHz		30 – j25 200 – j190		Ω Ω
Reference oscillator sensitivity			0.3		VDD	Vp-p
In-band phase noise @ 10 kHz offset (Note 1)		RF @ 2.5 GHz IF @ 480 MHz (@ -40 °C to +85 °C)		-85 -82		dBc/Hz dBc/Hz
Charge pump output current		RF, VCP = VDD/2 IF, VCP = VDD/2	-15% -15% -15% -15% -15% -15% -15%	120 240 360 480 0.4 0.8 1.2 1.6	+15% +15% +15% +15% +15% +15% +15%	µA µA µA µA mA mA mA mA
Charge pump leakage current		0.5 < VCP < VDD – 0.5 0.3 < VCP < VDD – 0.3		0.2 0.5		nA nA
Charge pump sink vs. source mismatch		VCP = VDD/2	-10		+10	%
Charge pump current vs. voltage/temperature		0.5 < VCP < VDD – 0.5 0.3 < VCP < VDD – 0.3	-5 -10		+8 +20	% %
High level digital I/O voltage			0.7 VDD			V
Low level digital I/O voltage					0.3 VDD	V
Serial clock high time	tCKH		20			ns
Serial clock low time	tCKL		20			ns
Data set-up time to clock rising-edge	tDSU		5			ns
Data hold time to clock rising-edge	tDHD		5			ns
LE pulse width	tLEW		20			ns
Clock falling-edge to LE rising edge	tCLE		5			ns
LE falling-edge to clock rising-edge	tLEC		5			ns

Note 1: For RF output frequency = 2.5 GHz, the comparison frequency = 8 MHz, loop bandwidth = 35 kHz, and charge pump current = 480 mA.
 For IF output frequency = 480 MHz, the comparison frequency = 200 kHz, loop bandwidth = 10 kHz, and charge pump current = 1.6 mA.

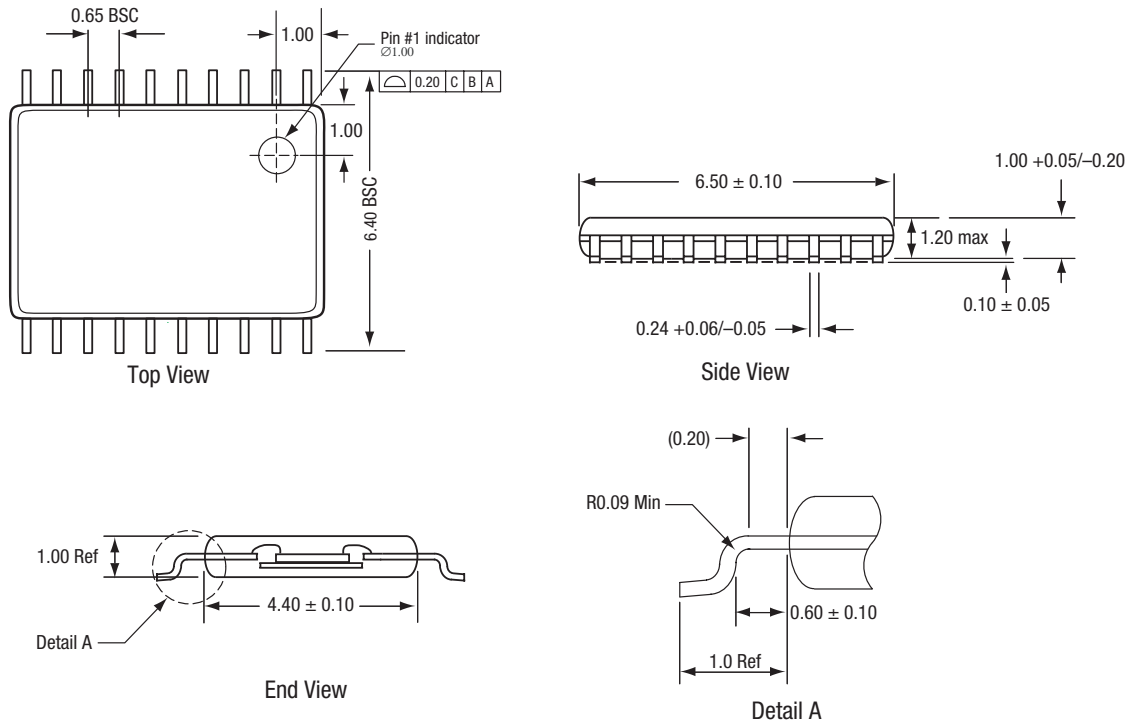
Table 5. SKY74038 Register Descriptions (1 of 2)

Symbol	Function	Description
Register Word Address 00b		
	Address bits [1:0]	00b
SC2	IF synthesizer charge-pump output current [3:2]	Bits [3:2] select the IF synthesizer charge pump output current: bit 3 bit 2 0 0 Select 0.4 mA charge pump output current 0 1 Select 0.8 mA charge pump output current 1 0 Select 1.2 mA charge pump output current 1 1 Select 1.6 mA charge pump output current
LD	Test mode [6:4]	Bits [6:4] set the test mode: bit 6 bit 5 bit 4 0 0 0 Multiplex Ndiv output of IF SX to LD output 0 0 1 Multiplex Rdiv output of IF SX to LD output 0 1 0 Multiplex lock detect output of IF SX to LD output 0 1 1 Multiplex ANDed lock detect of both SX to LD output 1 0 0 Multiplex Ndiv output of RF SX to LD output 1 0 1 Multiplex Rdiv output of RF SX to LD output 1 1 0 Multiplex lock detect output of RF SX to LD output 1 1 1 Hi-Z the charge pump output of RF SX
R2	IF synthesizer reference divider [19:7]	Bits [19:7] set the IF synthesizer 13-bit reference divider ratio
	RF synthesizer fractional-N mode selection [21:20] (Note 1)	Bits [21:20] set the RF synthesizer fractional-N mode: bit 21 bit 20 0 0 Reserved 0 1 Reserved 1 0 Fractional-N mode with dithering 1 1 Fractional-N mode without dithering
Register Word Address 01b		
	Address bits [1:0]	01b
SP1	RF synthesizer phase detector output polarity [2]	Bit [2] sets the polarity of the RF synthesizer phase detector output: 0 = Set phase detector output for negative VCO gain 1 = Set phase detector output for positive VCO gain
SC1	RF synthesizer charge-pump output current [4:3]	Bits [4:3] set the RF synthesizer charge pump output current: bit 4 bit 3 0 0 Select 120 μ A charge pump output current 0 1 Select 240 μ A charge pump output current 1 0 Select 360 μ A charge pump output current 1 1 Select 480 μ A charge pump output current
PS	RF synthesizer prescaler selection [5]	Bit [5] selects the RF synthesizer prescaler: 0 = Select 8/9 prescaler 1 = Select 16/17 prescaler
R1	RF synthesizer reference divider [8:6]	Bits [8:6] set the RF synthesizer's three-bit reference divider ratio
ME	RF synthesizer modulo extender [21:9]	Bits [21:9] extend the RF synthesizer's fractional modulo up to 2,097,152 (optional)

Table 5. SKY74038 Register Descriptions (2 of 2)

Symbol	Function	Description															
Register Word Address 10b																	
	Address bits [1:0]	10b															
SP2	IF synthesizer phase detector output polarity [2]	Bit [2] sets the IF synthesizer phase detector output: 0 = Set phase detector output for negative VCO gain 1 = Set phase detector output for positive VCO gain															
EN	Enable mode [4:3]	Bits [4:3] enable the RF and/or IF synthesizers: <table border="0"> <tr> <td>bit 4</td> <td>bit 3</td> <td></td> </tr> <tr> <td>0</td> <td>0</td> <td>Enable both RF and IF synthesizers</td> </tr> <tr> <td>0</td> <td>1</td> <td>Enable only RF synthesizer</td> </tr> <tr> <td>1</td> <td>0</td> <td>Enable only IF synthesizer</td> </tr> <tr> <td>1</td> <td>1</td> <td>Set power-down mode for both RF and IF synthesizers</td> </tr> </table>	bit 4	bit 3		0	0	Enable both RF and IF synthesizers	0	1	Enable only RF synthesizer	1	0	Enable only IF synthesizer	1	1	Set power-down mode for both RF and IF synthesizers
bit 4	bit 3																
0	0	Enable both RF and IF synthesizers															
0	1	Enable only RF synthesizer															
1	0	Enable only IF synthesizer															
1	1	Set power-down mode for both RF and IF synthesizers															
N2	IF synthesizer main divider [21:5]	Bits [21:5] set the IF synthesizer 17-bit main divider ratio															
Register Word Address 11b																	
	Address bits [1:0]	11b															
FN	RF synthesizer fractional-N division [9:2]	Bits [9:2] set the RF synthesizer's fractional-N program up to 256 modulo															
N1	RF synthesizer main divider [21:10]	Bits [21:10] set the RF synthesizer's 12-bit main divider ratio with a 16/17 prescaler, or an 11-bit main divider ratio with 8/9 prescaler															

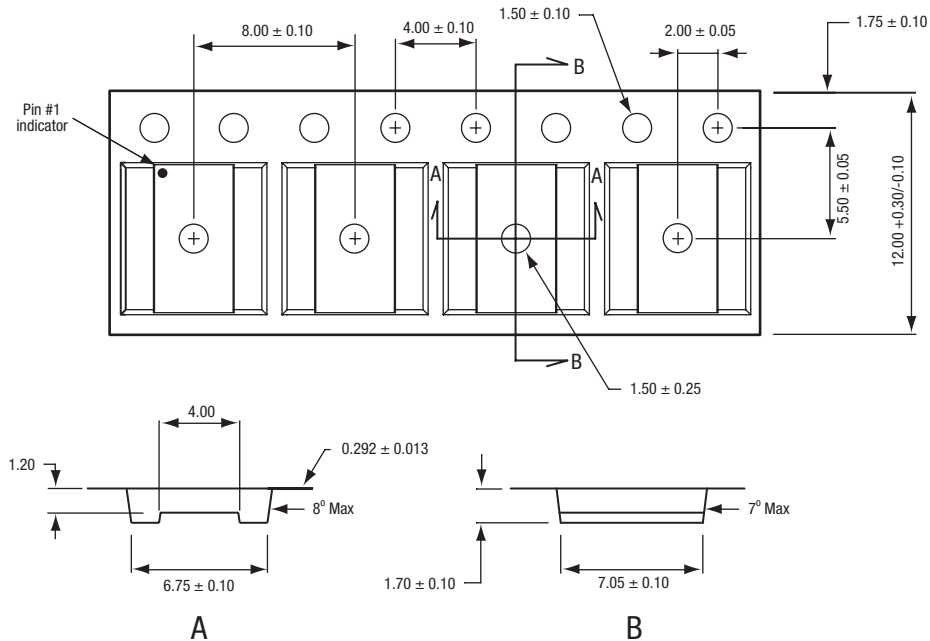
Note 1: These bits must be programmed after power is applied to the device. Failure to do so may result in erroneous device operation.



All measurements are in millimeters

C003

Figure 6. SKY74038 20-Pin TSSOP Package Dimensions



- Notes:
1. Carrier tape material: black conductive polystyrene
 2. Cover tape material: transparent conductive PSA
 3. Cover tape size: 9.3 mm width
 4. All measurements are in millimeters

C879

Figure 7. SKY74038 20-Pin TSSOP Tape and Reel Dimensions

Ordering Information

Model Name	Manufacturing Part Number	Evaluation Kit Part Number
SKY74038 2.6 GHz/800 MHz Frequency Synthesizer	SKY74038-13	PH00-D222
	SKY74038-21 (Pb-free package)	

Note: Both the SKY74038-13 and the RoHS-compliant SKY74038-21 are provided as 20-pin, 6.5 x 4.4 TSSOPs, and both use the same Evaluation Kit. The kit may come with either part number since they are electrically and functionally identical.

Copyright © 2002, 2003, 2004, 2005, 2007 Skyworks Solutions, Inc. All Rights Reserved.

Information in this document is provided in connection with Skyworks Solutions, Inc. ("Skyworks") products or services. These materials, including the information contained herein, are provided by Skyworks as a service to its customers and may be used for informational purposes only by the customer. Skyworks assumes no responsibility for errors or omissions in these materials or the information contained herein. Skyworks may change its documentation, products, services, specifications or product descriptions at any time, without notice. Skyworks makes no commitment to update the materials or information and shall have no responsibility whatsoever for conflicts, incompatibilities, or other difficulties arising from any future changes.

No license, whether express, implied, by estoppel or otherwise, is granted to any intellectual property rights by this document. Skyworks assumes no liability for any materials, products or information provided hereunder, including the sale, distribution, reproduction or use of Skyworks products, information or materials, except as may be provided in Skyworks Terms and Conditions of Sale.

THE MATERIALS, PRODUCTS AND INFORMATION ARE PROVIDED "AS IS" WITHOUT WARRANTY OF ANY KIND, WHETHER EXPRESS, IMPLIED, STATUTORY, OR OTHERWISE, INCLUDING FITNESS FOR A PARTICULAR PURPOSE OR USE, MERCHANTABILITY, PERFORMANCE, QUALITY OR NON-INFRINGEMENT OF ANY INTELLECTUAL PROPERTY RIGHT; ALL SUCH WARRANTIES ARE HEREBY EXPRESSLY DISCLAIMED. SKYWORKS DOES NOT WARRANT THE ACCURACY OR COMPLETENESS OF THE INFORMATION, TEXT, GRAPHICS OR OTHER ITEMS CONTAINED WITHIN THESE MATERIALS. SKYWORKS SHALL NOT BE LIABLE FOR ANY DAMAGES, INCLUDING BUT NOT LIMITED TO ANY SPECIAL, INDIRECT, INCIDENTAL, STATUTORY, OR CONSEQUENTIAL DAMAGES, INCLUDING WITHOUT LIMITATION, LOST REVENUES OR LOST PROFITS THAT MAY RESULT FROM THE USE OF THE MATERIALS OR INFORMATION, WHETHER OR NOT THE RECIPIENT OF MATERIALS HAS BEEN ADVISED OF THE POSSIBILITY OF SUCH DAMAGE.

Skyworks products are not intended for use in medical, lifesaving or life-sustaining applications, or other equipment in which the failure of the Skyworks products could lead to personal injury, death, physical or environmental damage. Skyworks customers using or selling Skyworks products for use in such applications do so at their own risk and agree to fully indemnify Skyworks for any damages resulting from such improper use or sale.

Customers are responsible for their products and applications using Skyworks products, which may deviate from published specifications as a result of design defects, errors, or operation of products outside of published parameters or design specifications. Customers should include design and operating safeguards to minimize these and other risks. Skyworks assumes no liability for applications assistance, customer product design, or damage to any equipment resulting from the use of Skyworks products outside of stated published specifications or parameters.

Skyworks, the Skyworks symbol, and "Breakthrough Simplicity" are trademarks or registered trademarks of Skyworks Solutions, Inc., in the United States and other countries. Third-party brands and names are for identification purposes only, and are the property of their respective owners. Additional information, including relevant terms and conditions, posted at www.skyworksinc.com, are incorporated by reference.