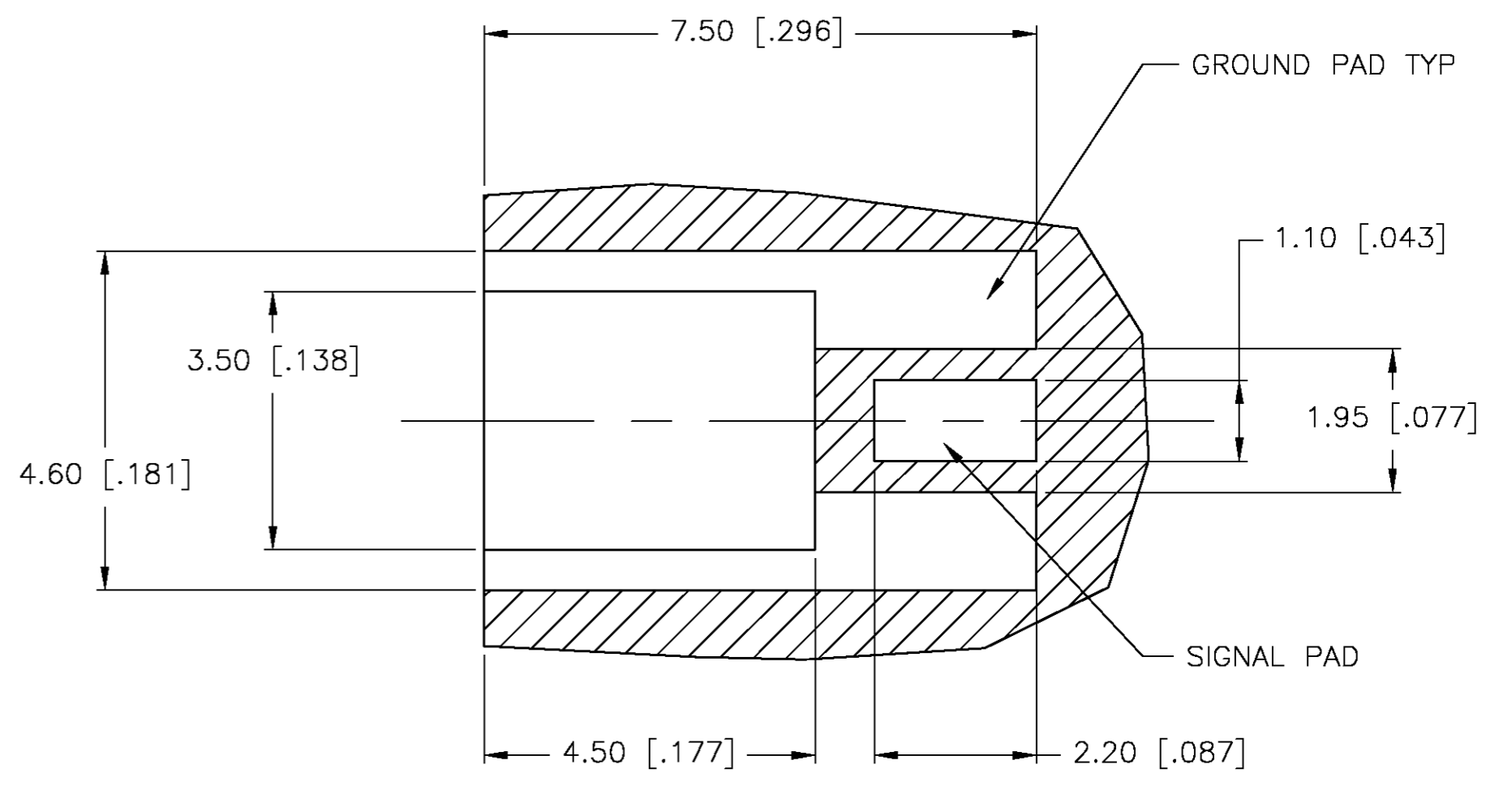
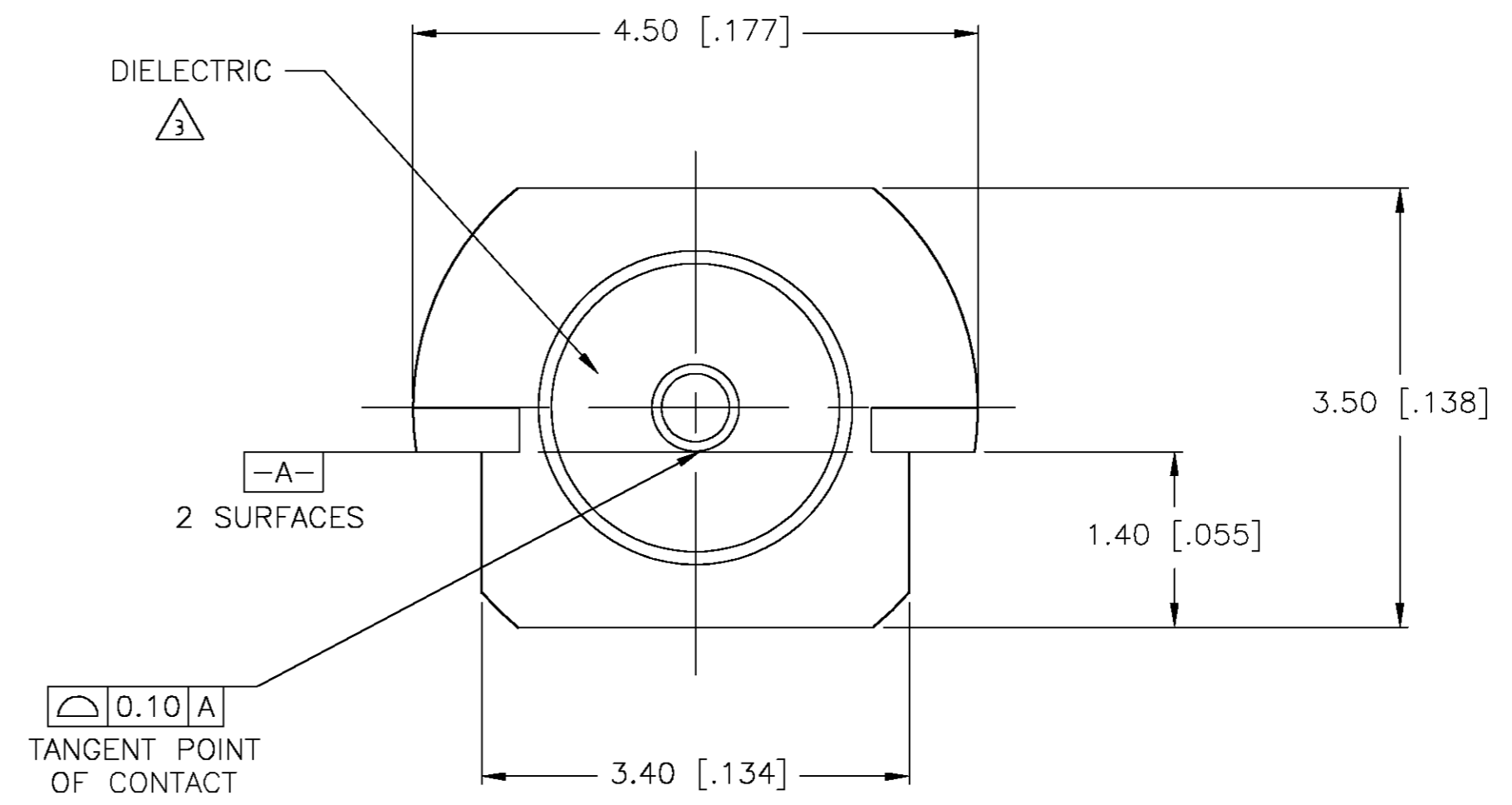
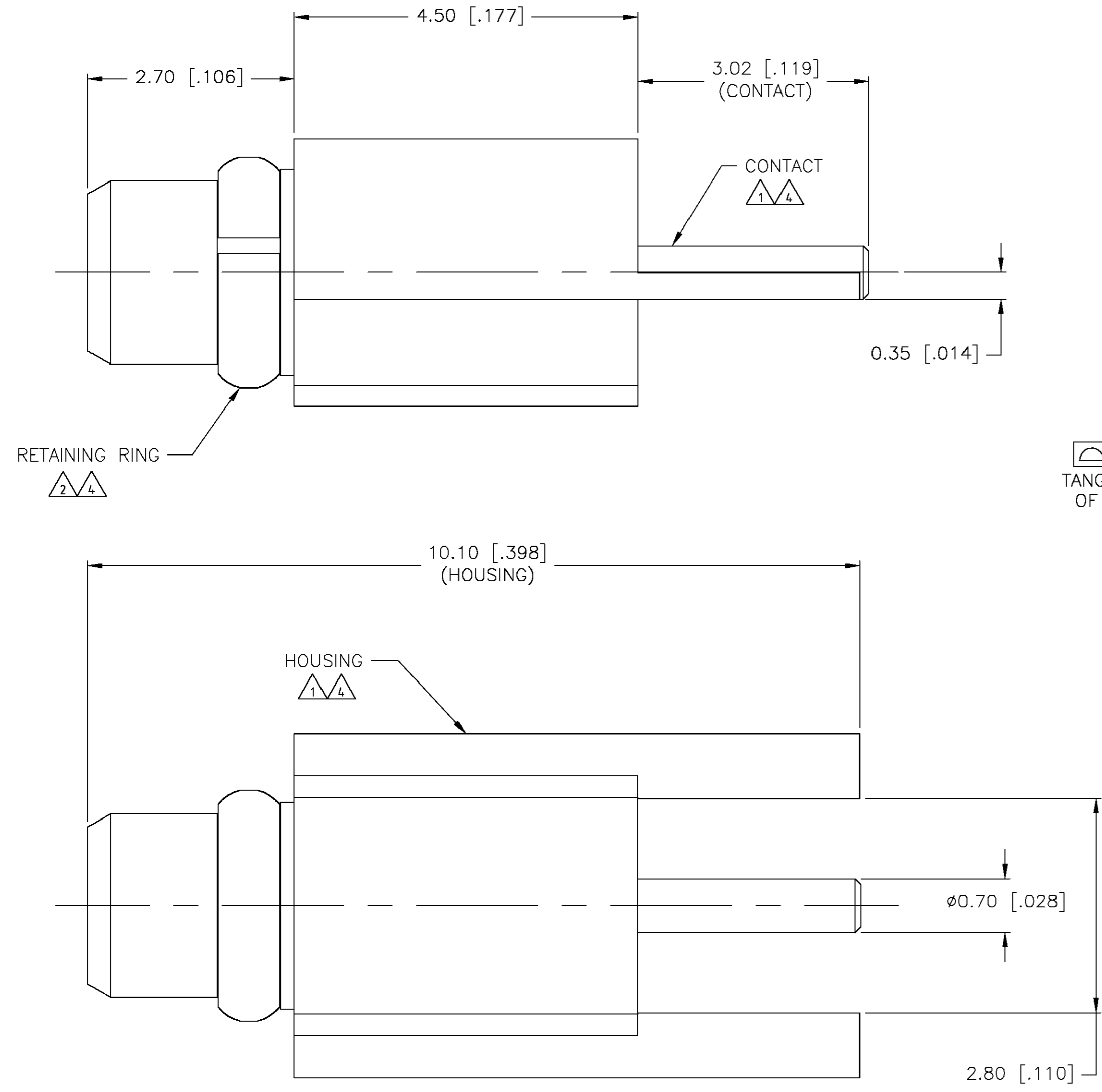


THIS DRAWING IS UNPUBLISHED. RELEASED FOR PUBLICATION
 © COPYRIGHT BY TYCO ELECTRONICS CORPORATION. ALL RIGHTS RESERVED.

Loc		DIST		REVISIONS			
P	LTR	DESCRIPTION	DATE	DWN	APVD		
AJ	-	B	REV PER 0514-0018-03	27JAN03	KW	KW	



- △1 BRASS PER ASTM-B-16
- △2 BERYLLIUM COPPER PER ASTM-B-196
- △3 PTFE PER ASTM-D-1710
- △4 GOLD PLATE PER MIL-G-45204

1408120-1
 PART NUMBER

THIS DRAWING IS A CONTROLLED DOCUMENT.		DWN	17DEC2001	tyco Electronics	Tyco Electronics Corporation Middletown, PA 17057	
DIMENSIONS: MM [INCHES]		CHK	02NOV00		NAME	
TOLERANCES UNLESS OTHERWISE SPECIFIED:		APVD	02NOV00	PRODUCT SPEC		
0 PLC	± -	APPLICATION SPEC		108-2084		
1 PLC	± 0.26 [.010]	MATERIAL		SIZE		
2 PLC	± 0.13 [.005]	FINISH		CAGE CODE		DRAWING NO
3 PLC	± -	-		00779		RESTRICTED TO
4 PLC	± -	-		C=1408120		-
ANGLES	± 1	WEIGHT		SCALE		SHEET
FINISH	-	0.20G/.007 OZ		20:1		1 OF 1
-		CUSTOMER DRAWING		REV		B