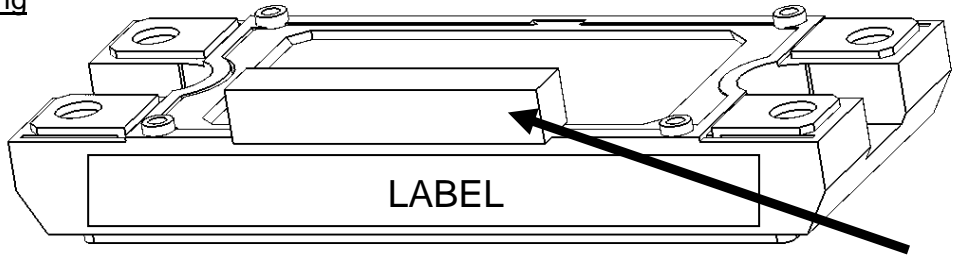


Product	SiC PM	Package	C type
---------	--------	---------	--------

1.Packing



1-1 Each module is packed in an antistatic bag with its signal terminal covered with electric conductive sponge.

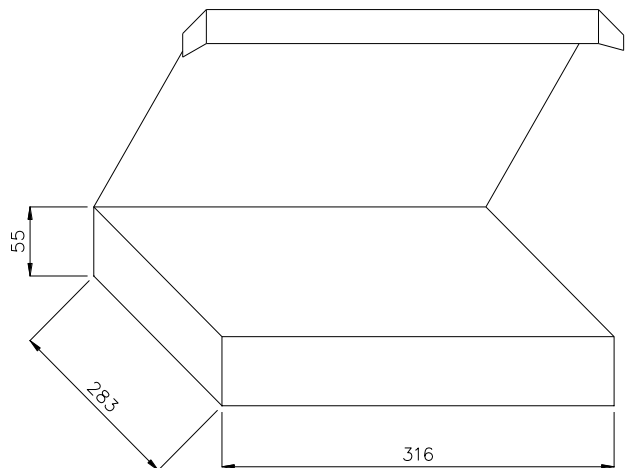
Electric conductive sponge

1-2 Electric conductive sponge Material: PE + Carbon

Antistatic bag Material: PE + Antistatic Treated

2.Inner Box

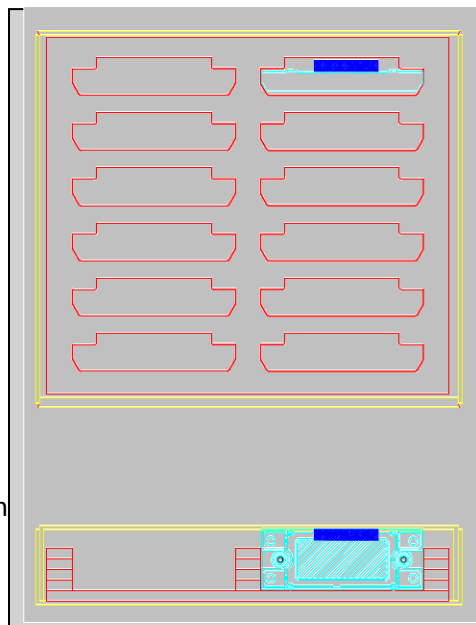
2-1 Inner Box Dimension



Unit:mm

2-2 Amount in the Inner Box: 12pcs

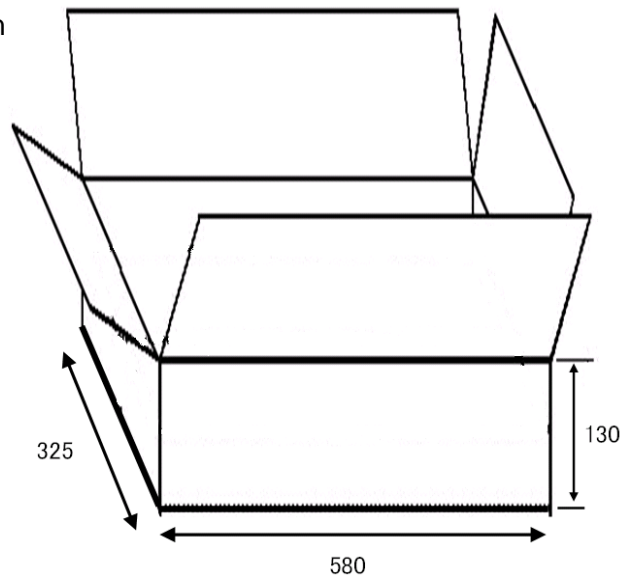
Top view



Cross section

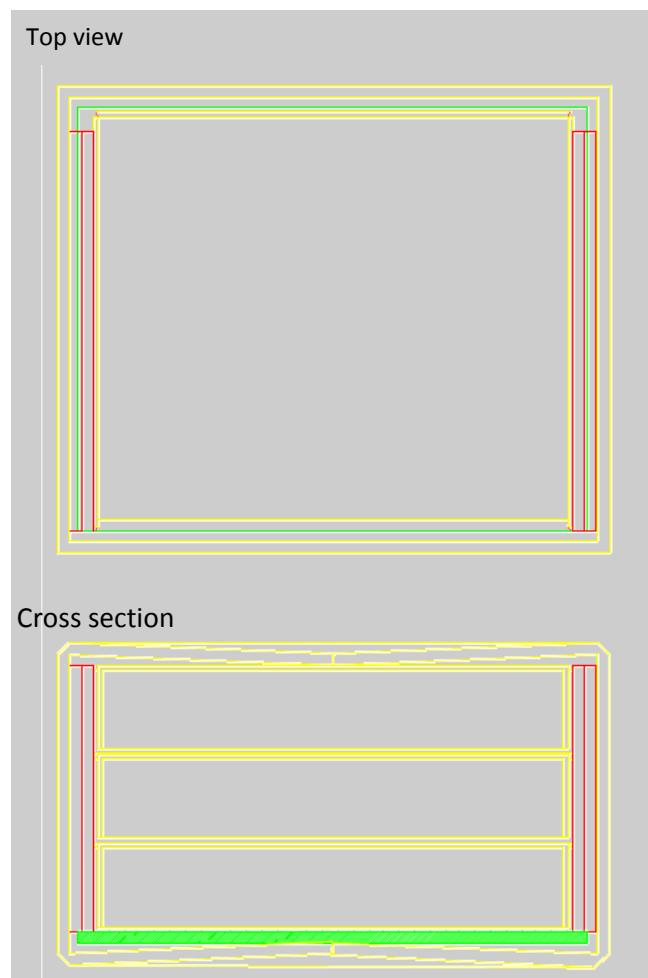
3.Outer Box

3-1 Outer Box Dimension



Unit: mm

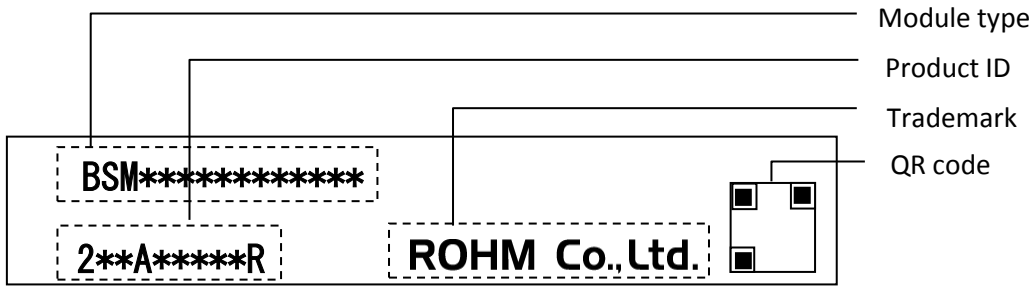
3-2 Amount in the outer Box: 3 inner boxes (Products in total: 36pcs)
Empty boxes or buffers shall be used to fill the gap within outer boxes
for shipment of 2 inner boxes or less.



Packing

4.Label

4-1 Module Label



The label above is affixed to each module

4-2 Package label

The label below is affixed to each inner box

