

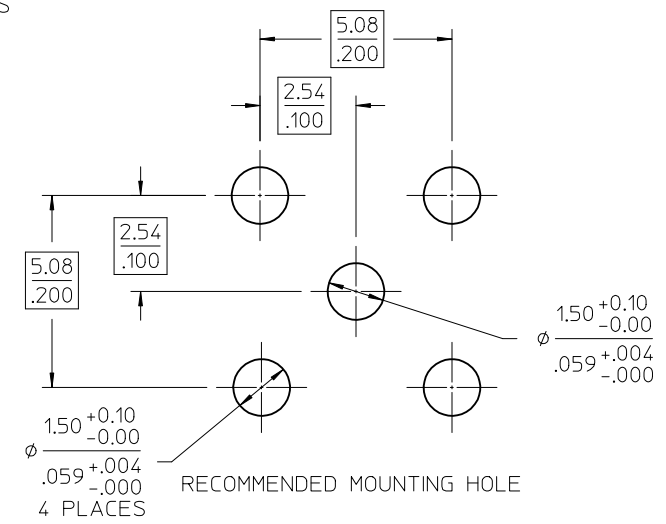
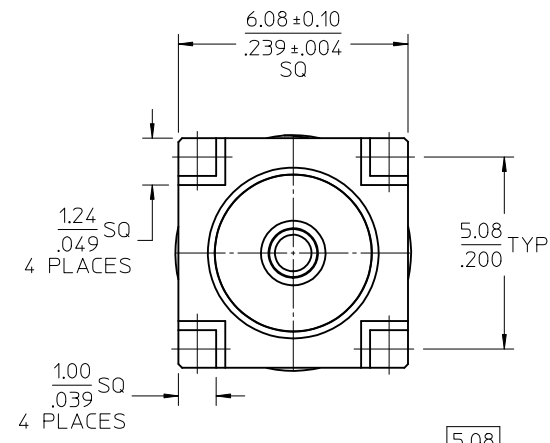
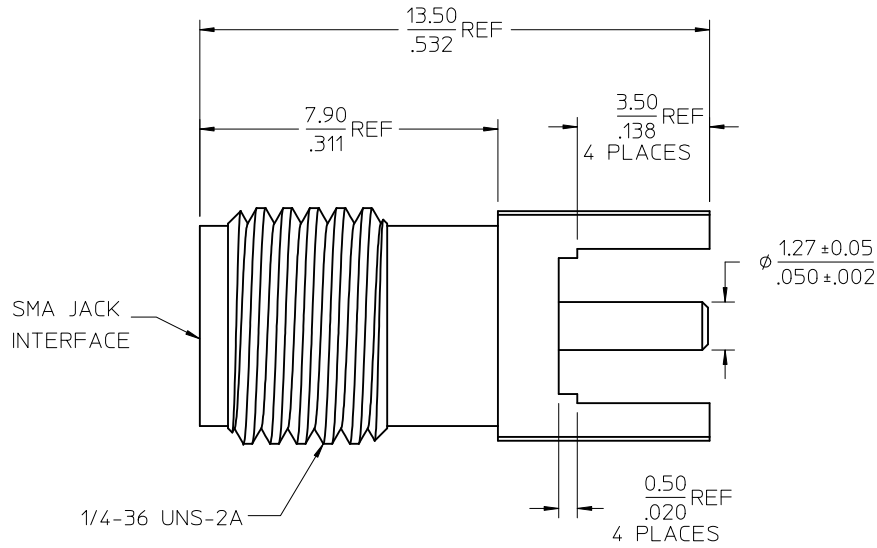
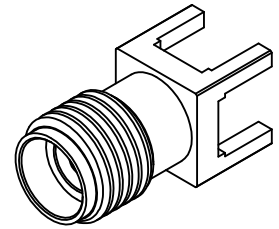
MATERIALS AND FINISHES

BODY: BRASS
PLATED GOLD

CENTER CONTACT: BERYLLIUM COPPER
PLATED GOLD

INSULATOR: TEFLON

PACKAGING: SEE TABLE



PS-89675-346	ELECTRO/MECH. PERFORM.
SPECIFICATION	DESCRIPTION

73391-0072	73391-0070 BY TRAY (20 CAV.)
73391-0071	ONE PIECE 73391-0070 PER BAG
73391-0070	TRAY (80 CAV.)
PART NO.	PACKAGING

CHG: PS WAS 73436-009 EC NO: URF2012-0069 DRWN: WIENER 2011/08/04 CHKD: SSS 2011/08/04 APPR: WIENER 2011/08/10 REV: B4	QUALITY SYMBOLS ▽=0 ▽=0	GENERAL TOLERANCES (UNLESS SPECIFIED) <table border="1"> <tr> <th></th> <th>mm</th> <th>INCH</th> </tr> <tr> <td>4 PLACES</td> <td>± .005</td> <td>± .0005</td> </tr> <tr> <td>3 PLACES</td> <td>± .005</td> <td>± .0005</td> </tr> <tr> <td>2 PLACES</td> <td>± .005</td> <td>± .0005</td> </tr> <tr> <td>1 PLACE</td> <td>± .005</td> <td>± .0005</td> </tr> </table> ANGULAR ± 2°		mm	INCH	4 PLACES	± .005	± .0005	3 PLACES	± .005	± .0005	2 PLACES	± .005	± .0005	1 PLACE	± .005	± .0005	DIMENSION STYLE MM/IN	SCALE METRIC	DESIGN UNITS METRIC	THIRD ANGLE PROJECTION
		mm	INCH																		
	4 PLACES	± .005	± .0005																		
	3 PLACES	± .005	± .0005																		
2 PLACES	± .005	± .0005																			
1 PLACE	± .005	± .0005																			
DRAWN BY LYNN	DATE 1998/10/19	TITLE SMA JACK VERTICAL PCB 50 OHMS SMA-J/PCB		MOLEX INCORPORATED																	
CHECKED BY XXX	DATE 0000/00/00	APPROVED BY XXX		MATERIAL NO. SEE TABLE	DOCUMENT NO. SD-73391-007	SHEET NO. 1 OF 1															
DRAFT WHERE APPLICABLE MUST REMAIN WITHIN DIMENSIONS																					

THIS DRAWING CONTAINS INFORMATION THAT IS PROPRIETARY TO MOLEX INCORPORATED AND SHOULD NOT BE USED WITHOUT WRITTEN PERMISSION