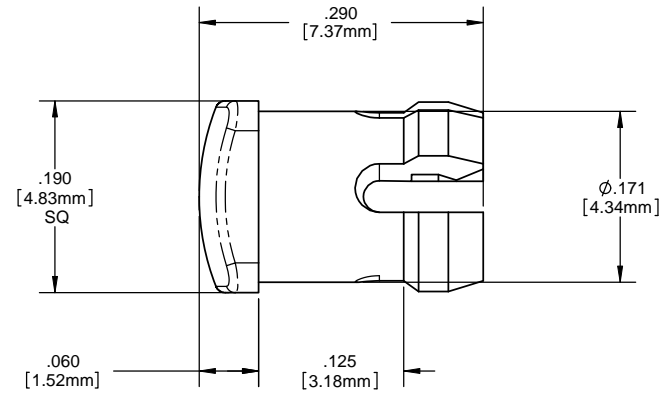
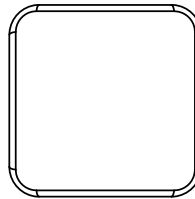
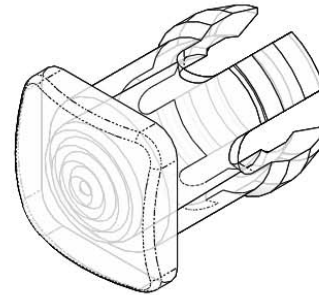


8 7 6 5 4 3 2 1

NOTES:

- MOUNTING:** Mounts in a $\phi .171 \pm .002$ [$\phi 4.34\text{mm} \pm .05$] panel hole on $.250$ [6.35mm] centers. Panel thickness $.063$ [1.6mm] to $.125$ [3.17mm]. Panel hole should be deburred, but not chamfered.
- ASSEMBLY:** Insert lens through panel hole, and insert LED into lens.
- MATERIAL:** Polycarbonate, UL 94-V2
- U.S. & Foreign Pat. Issued & Pend.**

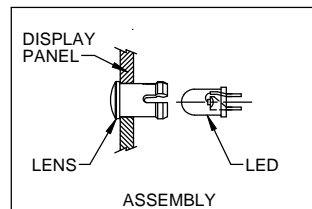
| REVISIONS | | | | |
|-----------|------|---------------------------|---------|----------|
| ECN# | REV. | DESCRIPTION | DATE | INITIALS |
| | 001 | REVISED PER ECR111009AZ01 | 4-23-10 | SMU |



ORDERING CODE : **SMQ 250 XXX**

MODEL

| LENS COLOR | |
|------------|--------------------|
| RTP | RED TRANSPARENT |
| ATP | AMBER TRANSPARENT |
| GTP | GREEN TRANSPARENT |
| BTP | BLUE TRANSPARENT |
| YTP | YELLOW TRANSPARENT |
| CTP | CLEAR TRANSPARENT |



| | | | |
|---|---|--|--|
| <small>UNLESS OTHERWISE SPECIFIED DIMENSIONS ARE IN INCHES</small> ANGLES DECIMALS $\pm 1^\circ$.X $\pm .020$ FINISH .XXX $\pm .010$.XXX $\pm .005$ | MATERIAL POLYCARBONATE, UL 94-V2 | VISUAL COMMUNICATIONS COMPANY, INC. <small>190 Bosstick Boulevard, Suite 101 San Marcos, CA 92069 USA Phone (760) 560-1300 Fax (760) 560-1301 email vccsales@vccite.com</small> | |
| | FINISH SEE NOTES | TITLE: 3MM SQUARE LOW PROFILE FRESNEL LENS | |
| <small>THIRD ANGLE PROJECTION</small> | <small>APPROVAL</small> SMU 4-23-10 | <small>DATE</small> 4-23-10 | <small>SIZE</small> B |
| <small>THE INFORMATION CONTAINED IN THIS DRAWING IS THE SOLE PROPERTY OF VISUAL COMMUNICATIONS COMPANY, INC. REPRODUCTION IN PART OR AS A WHOLE WITHOUT THE WRITTEN CONSENT OF VISUAL COMMUNICATIONS COMPANY, INC. IS PROHIBITED.</small> | <small>DRAWN:</small> SMU 4-23-10 | <small>CHECKED:</small> DZ 4-23-10 | <small>SCALE: 12:1</small> SMQ 250 XXX |
| <small>DO NOT SCALE DRAWING</small> | <small>REVISION</small> 001 | <small>SHEET 1 OF 1</small> | |

8 7 6 5 4 3 2 1