

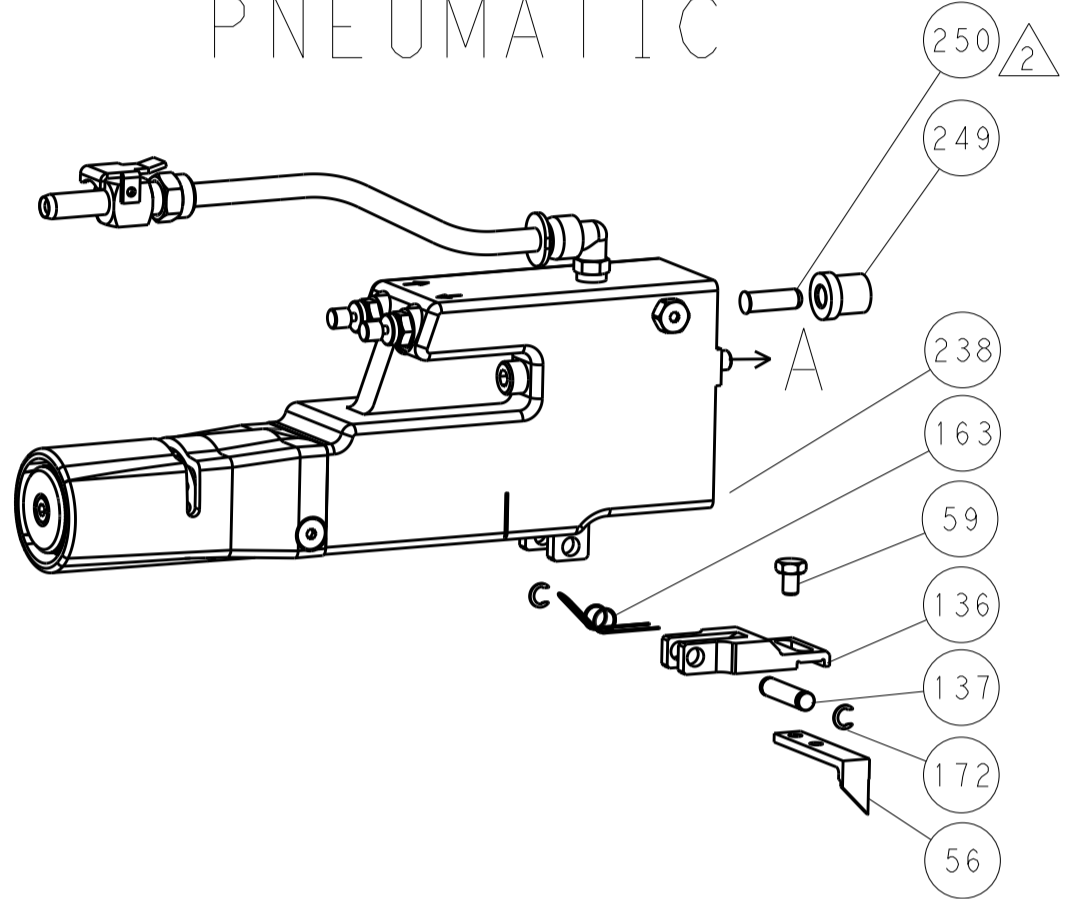


LOC		DIST		REVISIONS			
A	66	P	LTM	DESCRIPTION	DATE	DWN	APVD
		-	-	SEE SHEET 1	-	-	-

### FEED TYPE MECHANICAL



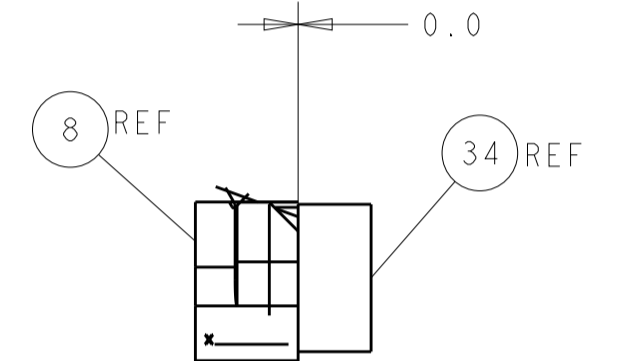
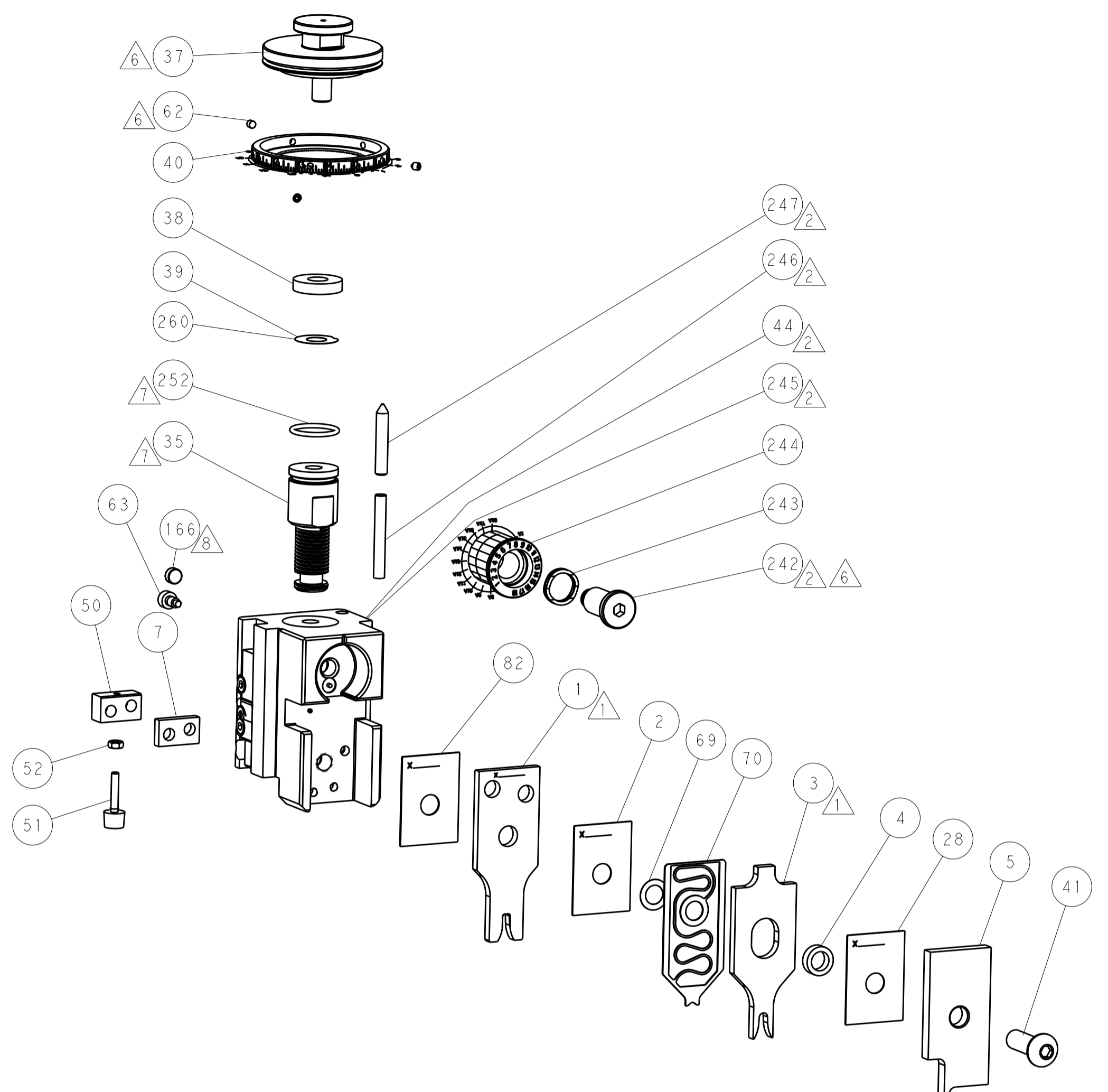
### PNEUMATIC



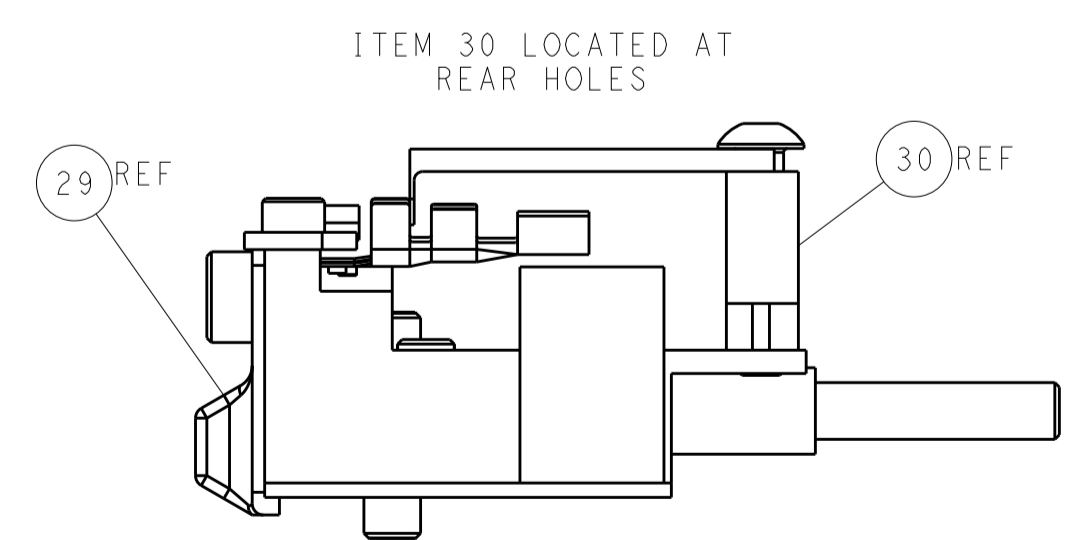
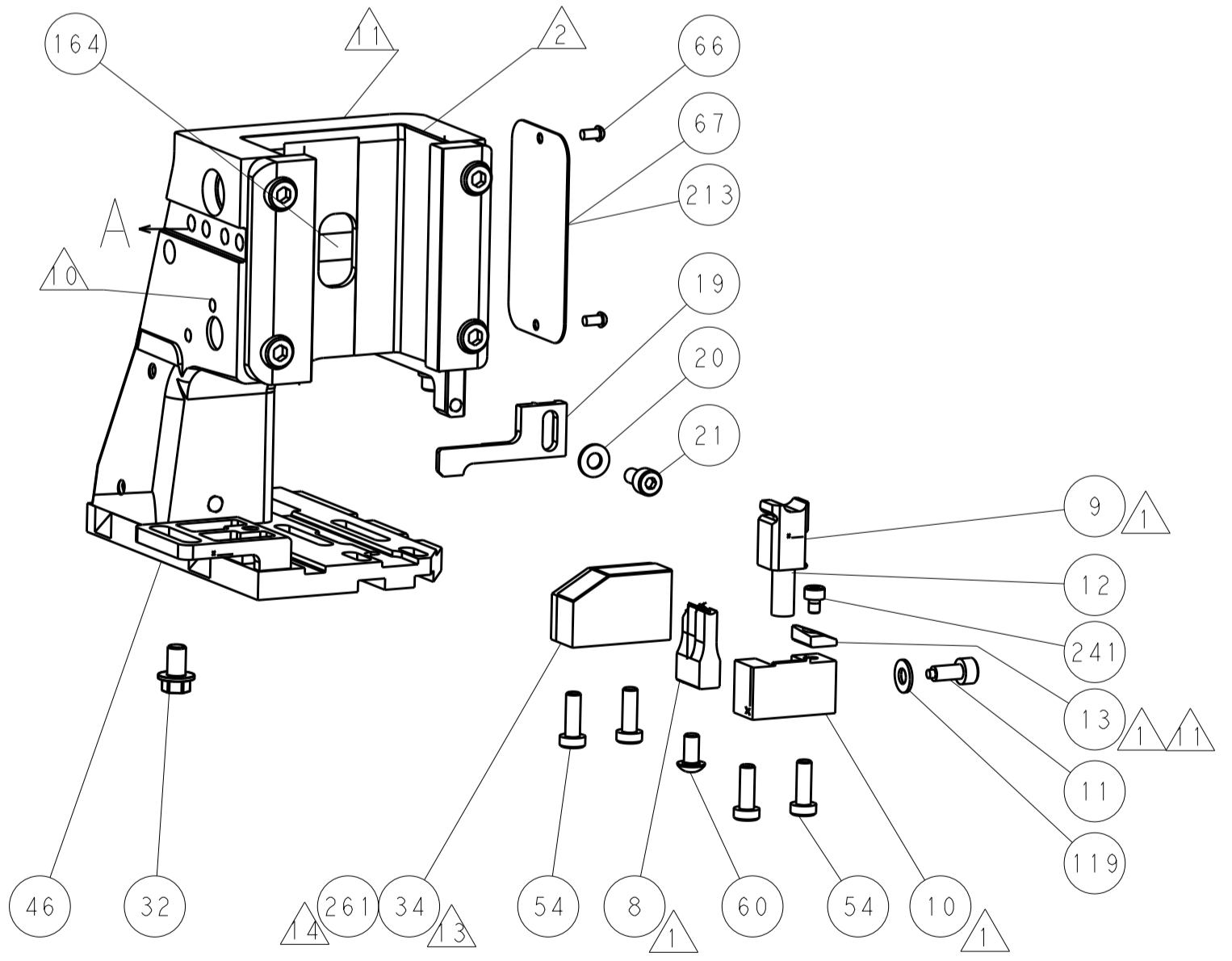
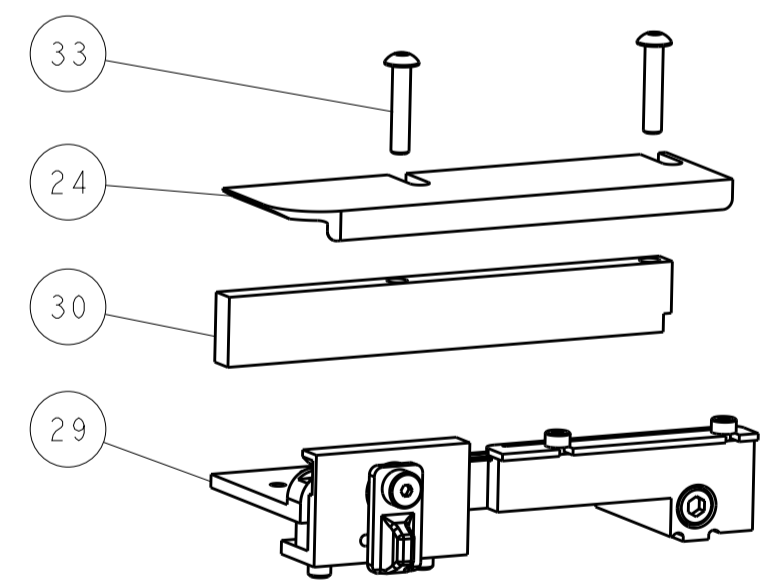
### SERVO LATCH PLATE



### CAM POSITIONS



TERMINAL SUPPORT LOCATION



FEED TRACK POSITION GUIDE BY INSULATION BARREL

**ATLANTIC VERSION**  
 Shown on sheets 1 of 4 & 2 of 4  
 (Pacific version shown on sheets 3 of 4 & 4 of 4)

DIMENSIONS:		TOLERANCES UNLESS OTHERWISE SPECIFIED:		DWN L. ZHANG 12JUN2012		TE Connectivity	
mm	0 PLC ±	1 PLC ±	2 PLC ±	3 PLC ±	4 PLC ±	5 PLC ±	Harrisburg, PA 17105-3608
MATERIAL:		FINISH:		CHK L. ZHANG 12JUN2012		NAME Ocean Side Feed Applicator	
				S. XI 12JUN2012		RESTRICTED TO	
				APVD		SIZE CAGE CODE DRAWING NO	
				PRODUCT SPEC		A1 00779 ©=2151579	
				APPLICATION SPEC		SCALE 1:2 SHEET 2 OF 4 REV B1	
				WEIGHT		Customer Accessible Production Drawing	



LOC		DIST		REVISIONS			
A	66	P	LTM	DESCRIPTION	DATE	OWN	APVD
-	-	-	-	SEE SHEET 1	-	-	-

# FEED TYPE MECHANICAL



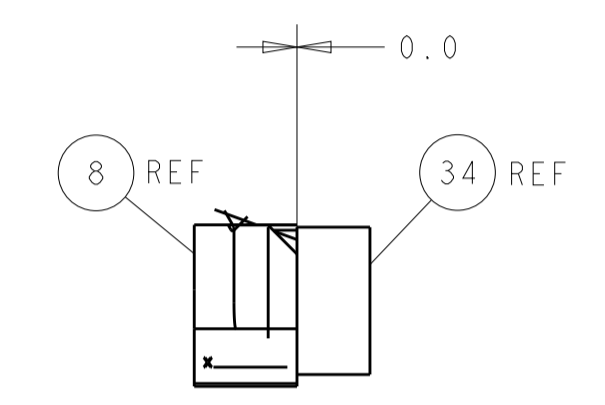
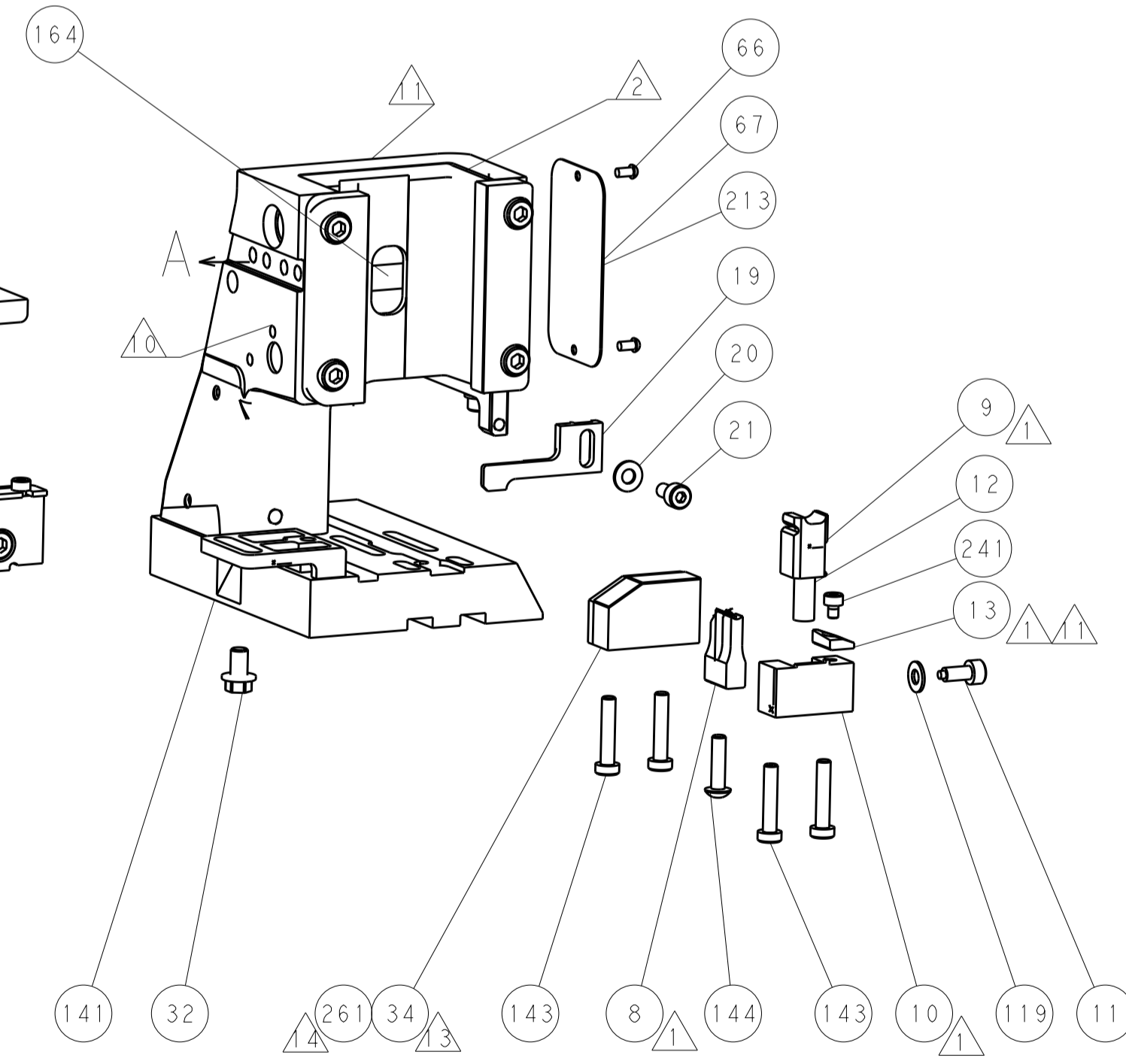
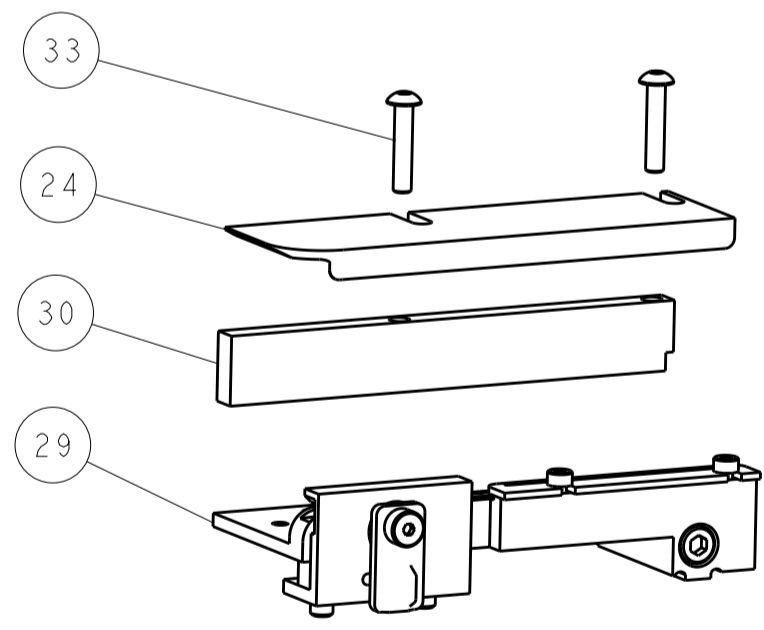
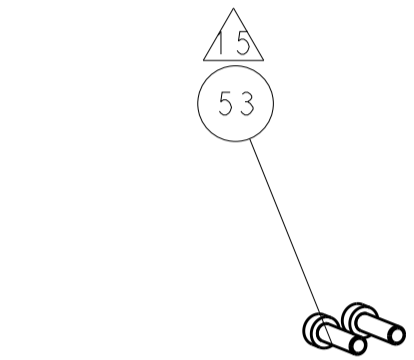
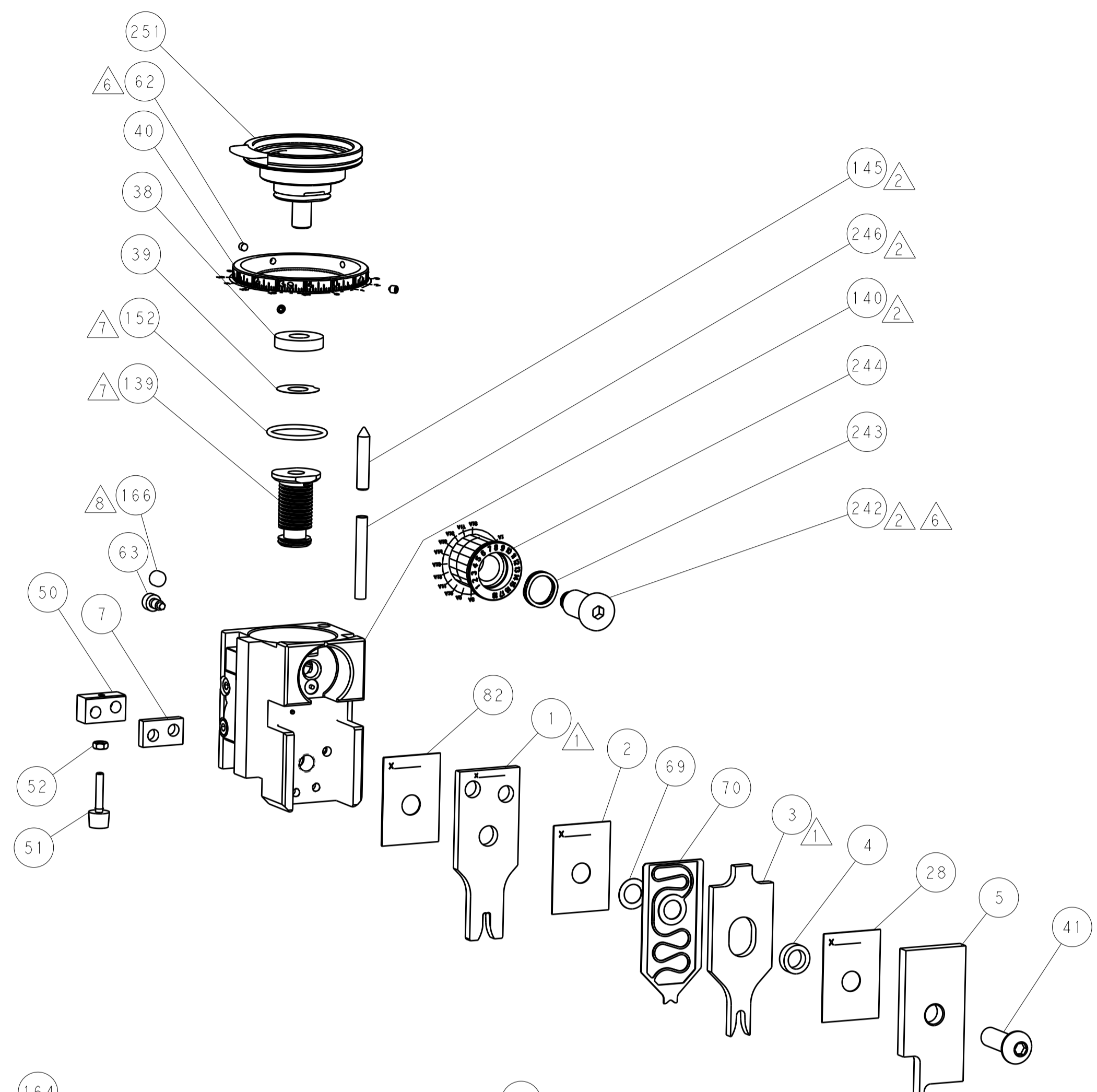
# PNEUMATIC



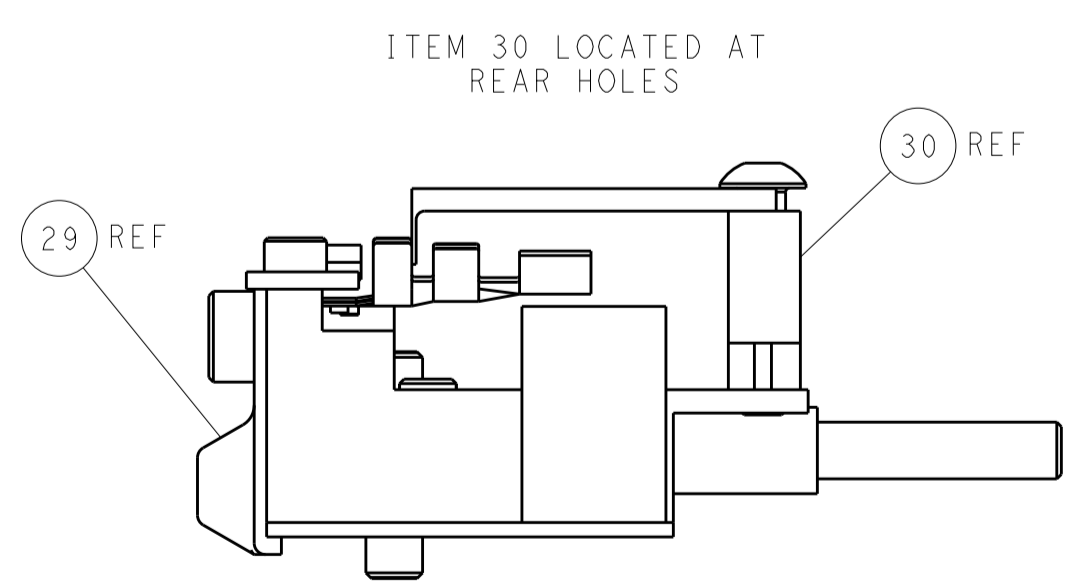
# SERVO LATCH PLATE



# CAM POSITIONS



TERMINAL SUPPORT LOCATION



FEED TRACK POSITION GUIDE BY INSULATION BARREL

**PACIFIC VERSION**  
 Shown on sheets 3 of 4 & 4 of 4  
 (Atlantic version shown on sheets 1 of 4 & 2 of 4)

DIMENSIONS:		TOLERANCES UNLESS OTHERWISE SPECIFIED:		DWN L. ZHANG 12JUN2012		STE Connectivity	
mm	0 PLC ±	1 PLC ±	2 PLC ±	3 PLC ±	4 PLC ±	5 PLC ±	TE Connectivity Harrisburg, PA 17105-3608
MATERIAL:		FINISH:		CHK L. ZHANG 12JUN2012		NAME Ocean Side Feed Applicator	
				S. XI 12JUN2012		SIZE CAGE CODE DRAWING NO RESTRICTED TO	
				APVD S. XI 12JUN2012		A1 00779 ©=2151579	
				PRODUCT SPEC		Customer Accessible Production Drawing	
				APPLICATION SPEC		SCALE 1:2 SHEET 4 OF 4 REV B1	
				WEIGHT		SHEETS 1 & 2 ARE NOT REQUIRED FOR PACIFIC VERSION	