



# mikromedia™

for PSoC® 5LP

Compact development system rich with on-board peripherals for all-round multimedia development on CY8C5868AXI-LP035 device.





# Table of Contents

Introduction to mikromedia for PSoC® 5LP	4	4. Reset Button	18
Package Contains	5	5. Crystal oscillator	20
Key Features	6	6. microSD Card Slot	22
System Specification	7	7. Touch Screen	24
1. Power supply	8	8. Audio Module	26
Battery power supply	8	9. USB connection	28
USB power supply	8	10. Accelerometer	30
2. CY8C5868AXI-LP035 microcontroller	10	11. FRAM	32
Key microcontroller features	10	12. Pads	34
3. Programming the microcontroller	11	13. Pinout	35
Programming with PSoC® Bootloader	12	14. Dimensions	36
PSoC® Creator™ Installation Wizard	13	15. mikromedia accessories	37
PSoC® Programmer™ Installation wizard	14	Notes	38
PSoC® bootloader quick guide	15	Disclaimer	39
Programming with mikroProg™	16		

# Introduction to mikromedia for PSoC<sup>®</sup> 5LP

The **mikromedia for PSoC<sup>®</sup> 5LP** is a compact development system with lots of on-board peripherals which allow development of devices with multimedia content. The central part of the system is a 32-bit **CY8C5868AXI-LP035** microcontroller. The mikromedia for PSoC<sup>®</sup> 5LP features integrated modules such as stereo MP3 codec, **320x240 TFT touch screen** display, accelerometer, USB connector, audio connector, MMC/SD card slot, 2Mbit FRAM, two 1x26 connection pads and other. It comes pre-programmed with a **USB HID PSoC<sup>®</sup> bootloader**, but can also be programmed with external programmers, such as mikroProg<sup>™</sup> for PSoC<sup>®</sup> 5LP or other external programmers. Mikromedia is compact and slim which makes it a convenient platform for mobile devices.



# Package Contains



- 01 Damage resistant protective box



- 02 mikromedia for PSoC<sup>®</sup> 5LP development board



- 03 Two 1x26 male headers and one 2x5 male headers



- 04 mikromedia for PSoC<sup>®</sup> 5LP user's guide



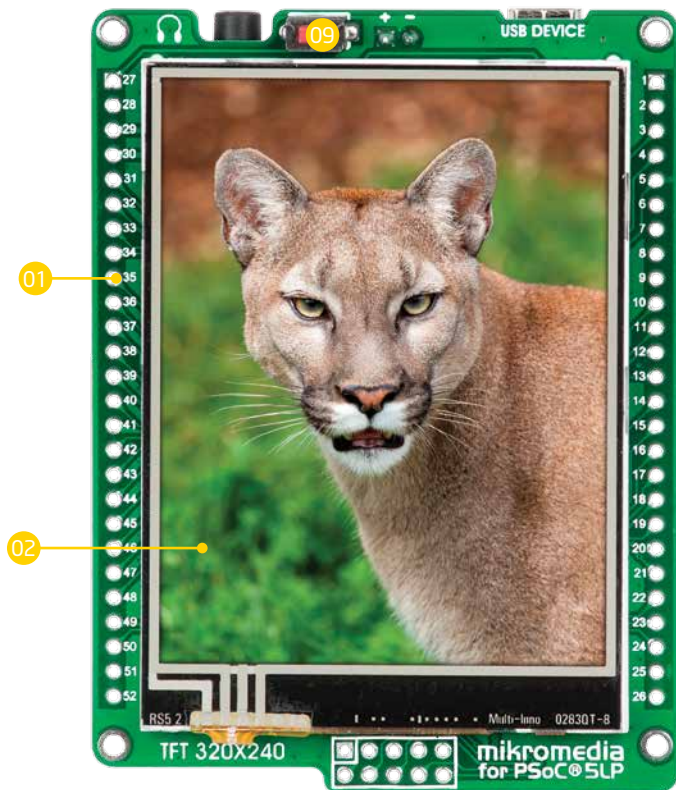
- 05 mikromedia™ for PSoC<sup>®</sup> 5LP schematics and pinout

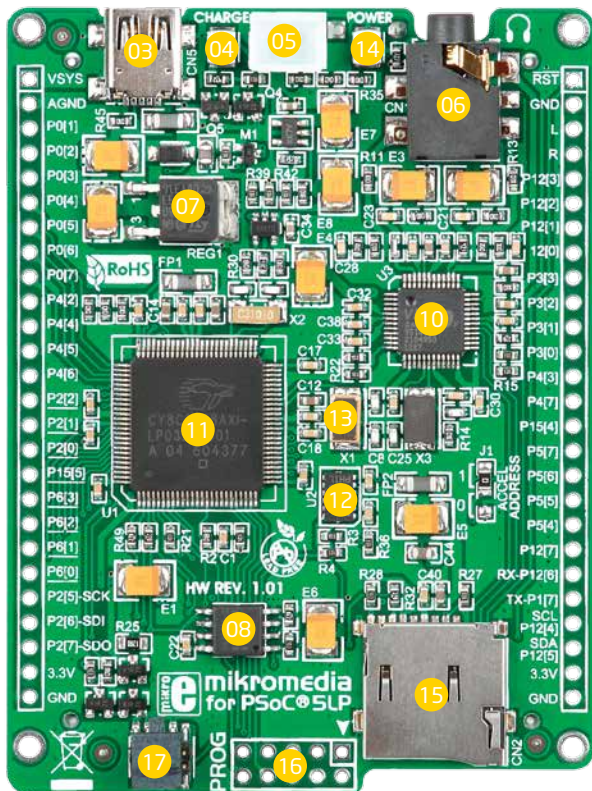


- 06 USB cable

# Key Features

- 01 Connection Pads
- 02 TFT display 320x240px
- 03 USB MINI-B connector
- 04 CHARGE indicator LED
- 05 Li-Polymer battery connector
- 06 3.5mm headphone connector
- 07 Power supply regulator
- 08 FRAM
- 09 RESET button
- 10 VS1053 Stereo mp3 coder/decoder
- 11 CY8C5868AXI-LP035 microcontroller
- 12 Accelerometer
- 13 Crystal oscillator
- 14 Power indication LED
- 15 microSD Card Slot
- 16 mikroProg connector
- 17 Cortex Debug connector





## System Specification



**power supply**  
Via USB cable (5V DC)



**power consumption**  
46 mA with erased MCU  
(when on-board modules are inactive)



**board dimensions**  
81.2 x 60.5 mm (3.19 x 2.38 inch)



**weight**  
~50g (0.11lbs)

# 1. Power supply



Figure 1-1: Connecting USB power supply

## USB power supply

You can power the board using the **MINI-B USB** cable which comes in the package. On-board voltage regulators provide the appropriate voltage levels to each component on the board. **Power LED (GREEN)** will indicate the presence of power supply.

## Battery power supply

You can also power the board using a **Li-Polymer** battery, via on-board battery connector. On-board battery charger circuit **MCP73832** enables you to charge the battery over USB connection. **LED diode (RED)** will indicate when the battery is charging. Charging current is ~250mA and charging voltage is 4.2V DC.

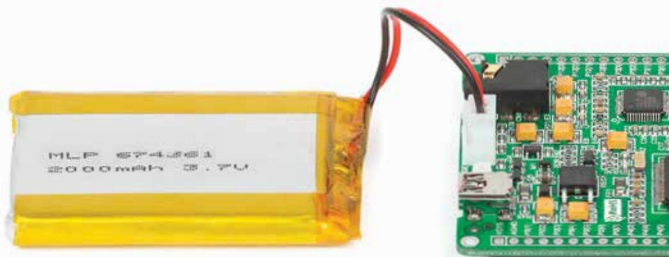
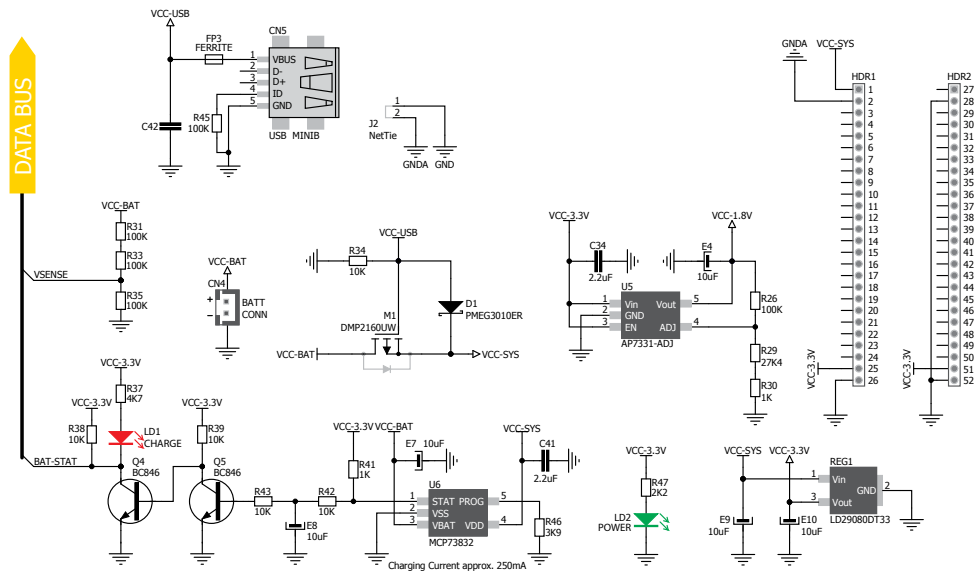


Figure 1-2: Connecting Li-Polymer battery





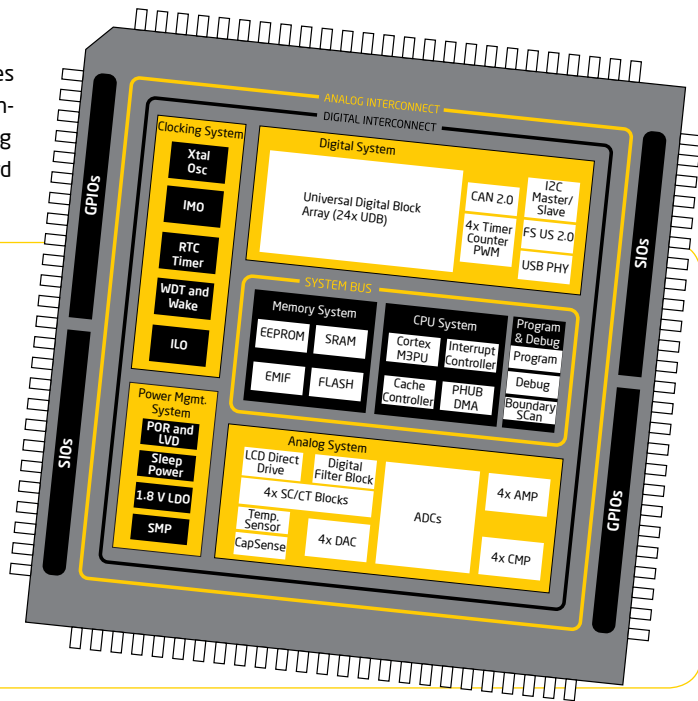
**Figure 1-3: Power supply schematics**

## 2. CY8C5868AXI-LP035 microcontroller

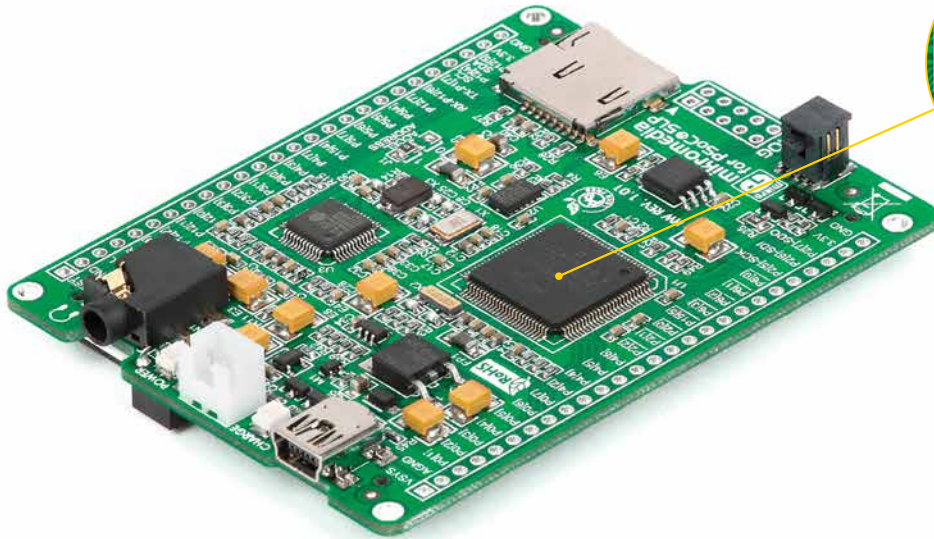
The **mikromedia for PSoC® 5LP** development system comes with the **CY8C5868AXI-LP035** microcontroller. This high-performance 32-bit microcontroller with its integrated analog and digital modules and in combination with other on-board modules is ideal for multimedia applications.

### Key microcontroller features

- 64 MHz, 32-bit ARM® Cortex™-M3 Core;
- 256 KB Flash; 64 KB SRAM;
- 4 dedicated comparators
- 62 I/O pins;
- SPI, I<sup>2</sup>C, UART, CAN, USB, ADC, DAC;
- Timers, counters, PWMs;
- Internal Oscillators;
- RTCC; etc.



# 3. Programming the microcontroller



**Figure 3-1:**  
**CY8C5868AXI-LP035**  
**microcontroller**

The microcontroller can be programmed in two ways:

- 01 Over USB HID PSoC® bootloader
- 02 Using mikroProg™ for PSoC® 5LP or other external programmers.

# Programming with PSoC® Bootloader

You can program the microcontroller with the bootloader which is preprogrammed into the device by default. To transfer the bootloader file from PC to MCU you need **PSoC® Programmer™** and **PSoC® Creator™**. Appropriate software packages can be found on the links below. Before downloading software you need to register on Cypress' website.



<http://www.cypress.com/?rID=38050>



PSoCProgrammerSetup\_3.70.0.1873  
.EXE  
Win32 Cabinet Self-Extractor



<http://www.cypress.com/psoccreator/>



PSoCCreatorSetup.exe  
Win32 Cabinet Self-Extractor  
Microsoft Corporation

Upon download, double click each setup file to begin installation of the PSoC® Programmer and PSoC® Creator™.

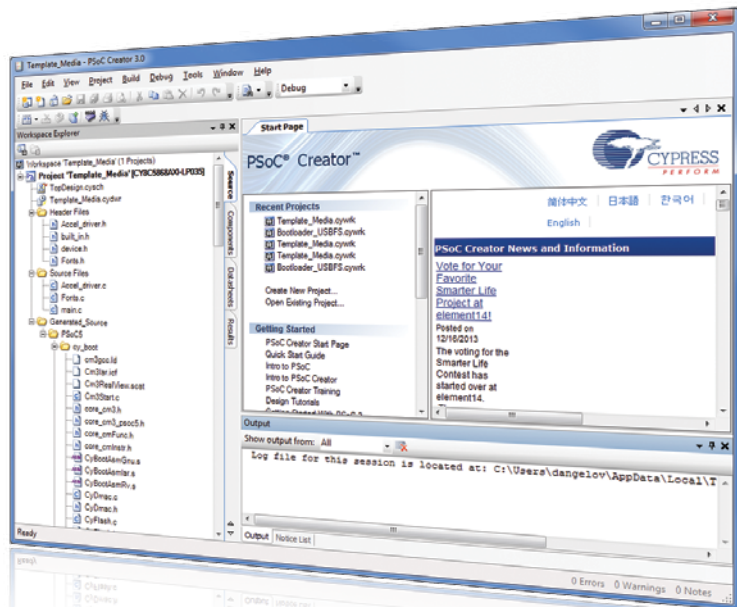
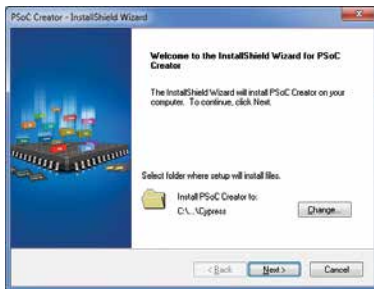
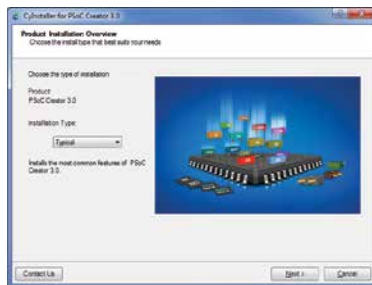


Figure 3-2: Main Window of PSoC® Creator™ software

# PSoC® Creator™ Installation Wizard



01 Start Installation



02 Installation type



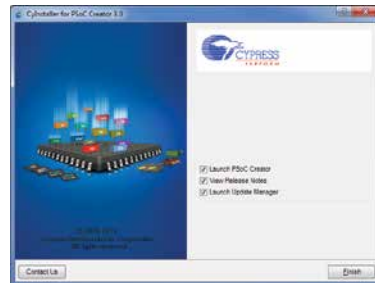
03 Accept license agreement



04 Accept license agreement

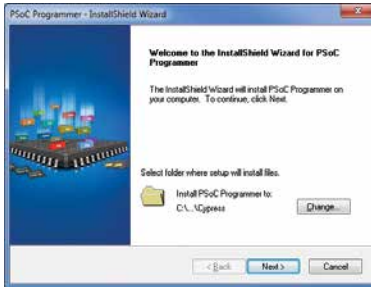


05 Installation in progress

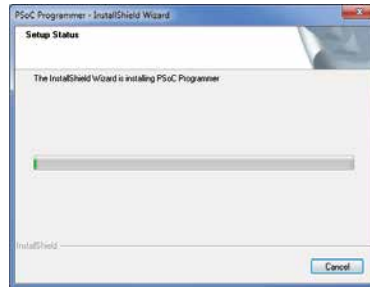


06 Finish installation

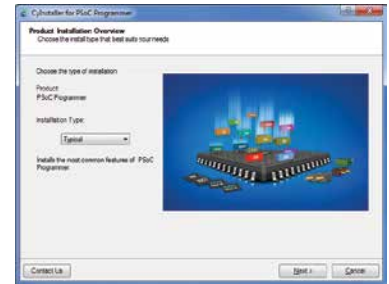
# PSoC® Programmer™ Installation wizard



01 Start Installation



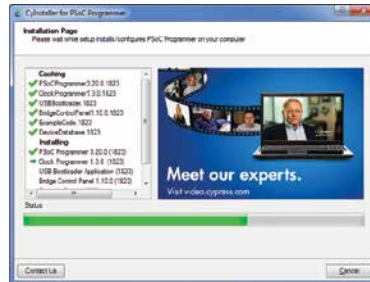
02 Setup



03 Installation type



04 Accept license agreement



05 Installation in progress



06 Finish installation

# PSoC® bootloader quick guide

**NOTE:** Prior to use, bootloader .HEX file needs to be programmed into the mikromedia for PSoC® 5LP's MCU.

Start PSoC® Creator™ and open the appropriate Workspace File for PSoC® Creator™ (.cywrk file):

- 01 Double click the **Bootloadable** component and the **Configure window** will appear.
- 02 Click the **Dependencies** tab to find a reference to the associated bootloader .HEX and .ELF files.
- 03 Click the **Browse** button and choose the **Bootloader\_USBFS.HEX** file from the pop-up window. The file can be found in the bootloader example folder. Click the **OK** button.

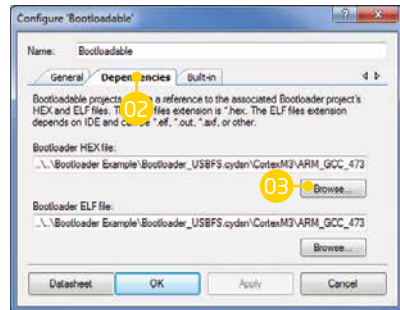
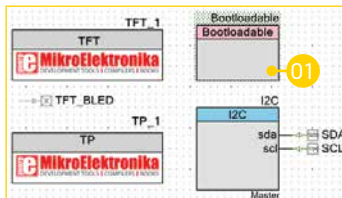


Figure 3-3: PSoC® bootloader host

Open PSoC® Creator™ Bootloader Host window (**Tools > Bootloader Host**):

- 04 Click the **blue folder icon** and choose the .CYACD file which will be uploaded to MCU memory from the pop-up window.
- 05 Connect the USB cable, or if already connected press the **Reset** button on your mikromedia board. **USB Human Interface Device** will appear in the **Ports** section of the window.
- 06 Click the **blue arrow icon** within 10s to program the MCU memory, otherwise the existing microcontroller program will execute.
- 07 If everything is done properly the board will automatically reset and your new program will execute.

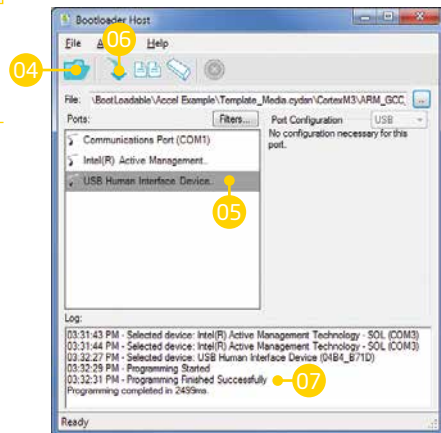
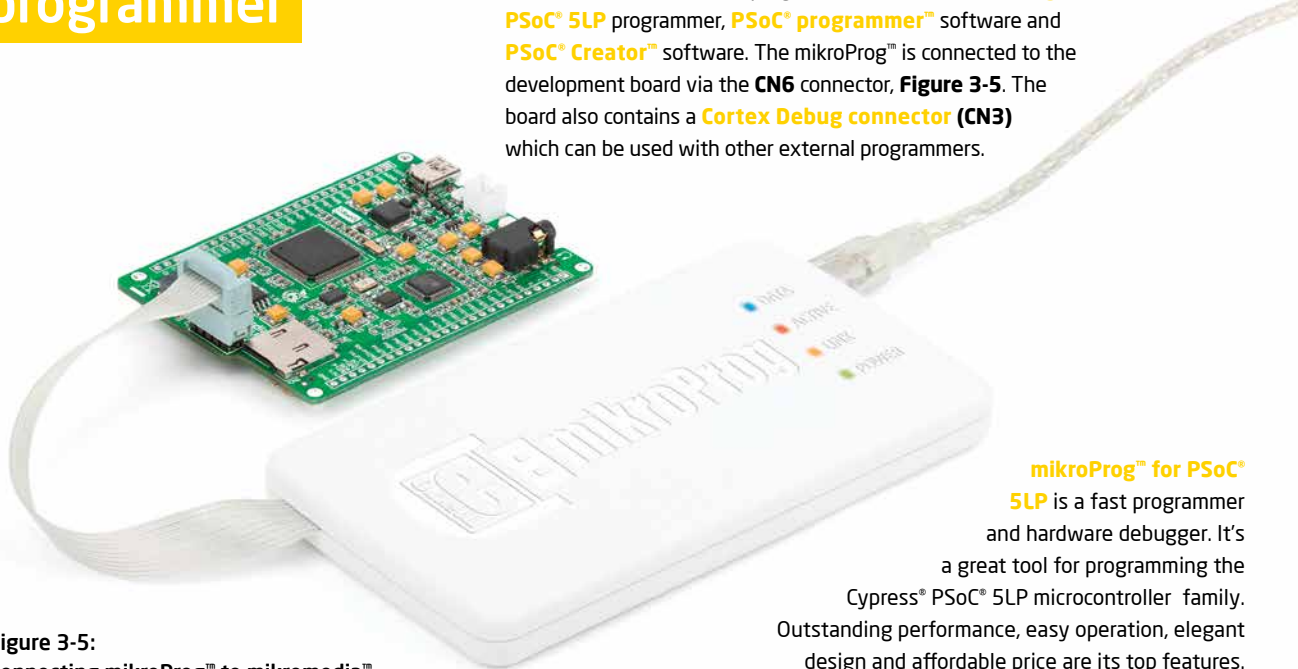


Figure 3-4: PSoC® bootloader host

# Programming with mikroProg™

## programmer

The microcontroller can be programmed with the **mikroProg™ for PSoC® 5LP** programmer, **PSoC® programmer™** software and **PSoC® Creator™** software. The mikroProg™ is connected to the development board via the **CN6** connector, **Figure 3-5**. The board also contains a **Cortex Debug connector (CN3)** which can be used with other external programmers.



**Figure 3-5:**  
Connecting mikroProg™ to mikromedia™

**mikroProg™ for PSoC® 5LP** is a fast programmer and hardware debugger. It's a great tool for programming the Cypress® PSoC® 5LP microcontroller family. Outstanding performance, easy operation, elegant design and affordable price are its top features.



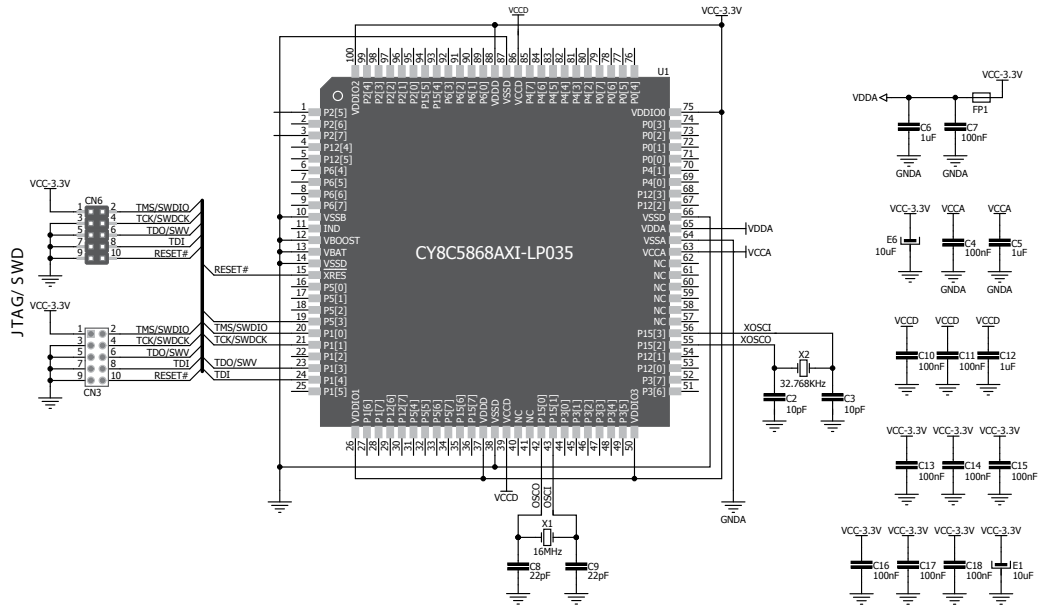


Figure 3-6: mikroProg™ connection schematic

## 4. Reset Button



Figure 4-1: Reset button

Board is equipped with reset button, which is located at the top of the front side (**Figure 4-1**). Press it to reset the circuit. It will generate a low voltage level on the microcontroller reset pin (input). In addition, a reset signal can also be sent through **pin 27** on side headers (**Figure 4-2**).

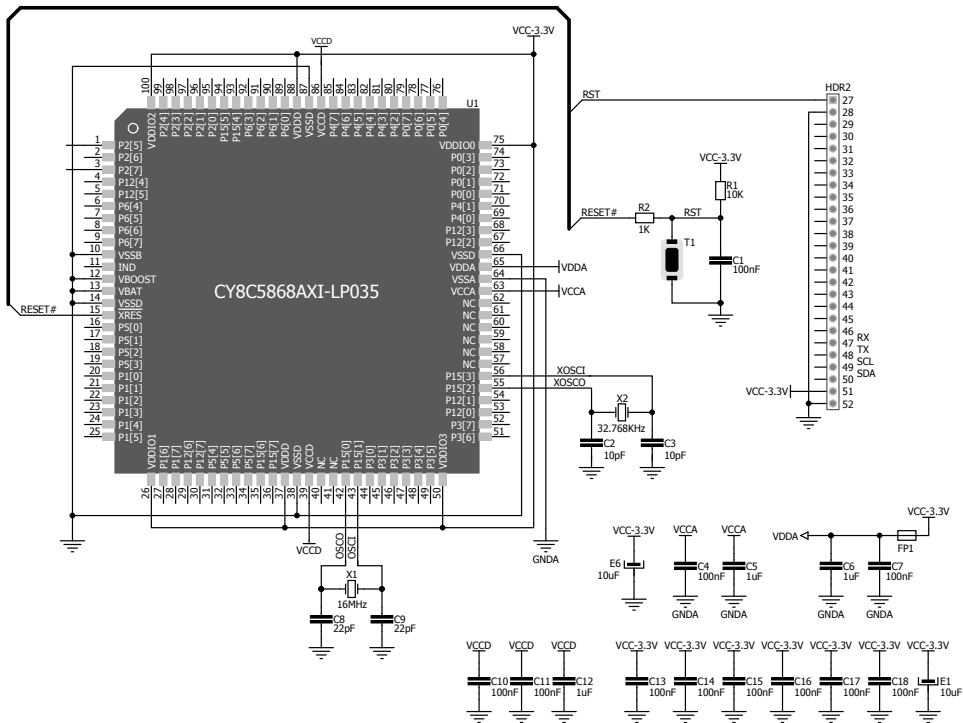
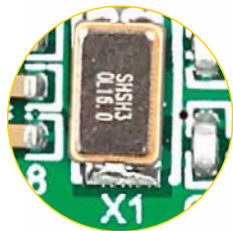


Figure 4-2: Reset circuit schematic

## 5. Crystal oscillator



**Figure 5-1:**  
External crystal oscillator (X1)

Board is equipped with a **16MHz crystal oscillator (X1)** circuit that provides external clock waveform to the microcontroller OSC0 and OSC1 pins. This base frequency is suitable for further clock multipliers and ideal for generation of necessary USB clock, which ensures proper operation of bootloader and your custom USB-based applications. The board also contains a **32.768kHz Crystal oscillator (X2)** which provides external clock for internal **RTCC** module.

**NOTE :** *The use of crystal in all other schematics is implied even if it is purposely left out because of the schematic's clarity.*

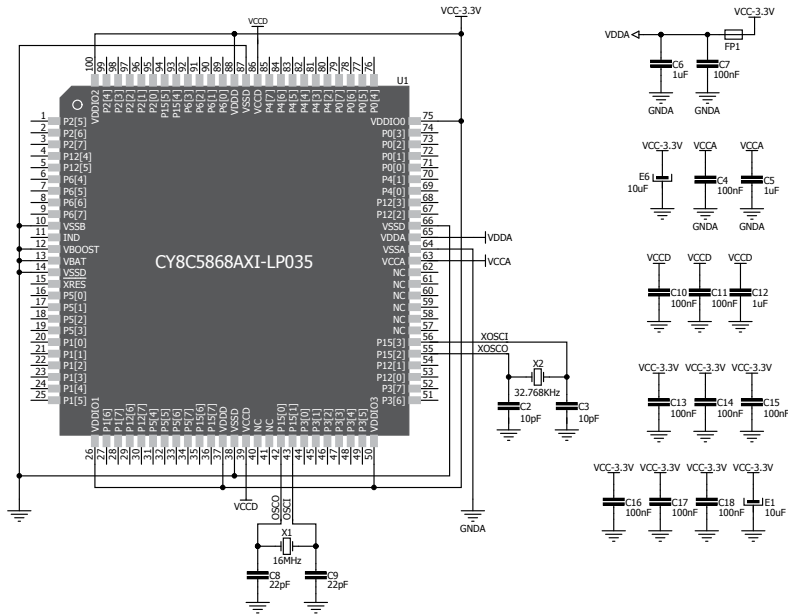


Figure 5-2: Crystal oscillator schematic

## 6. microSD Card Slot

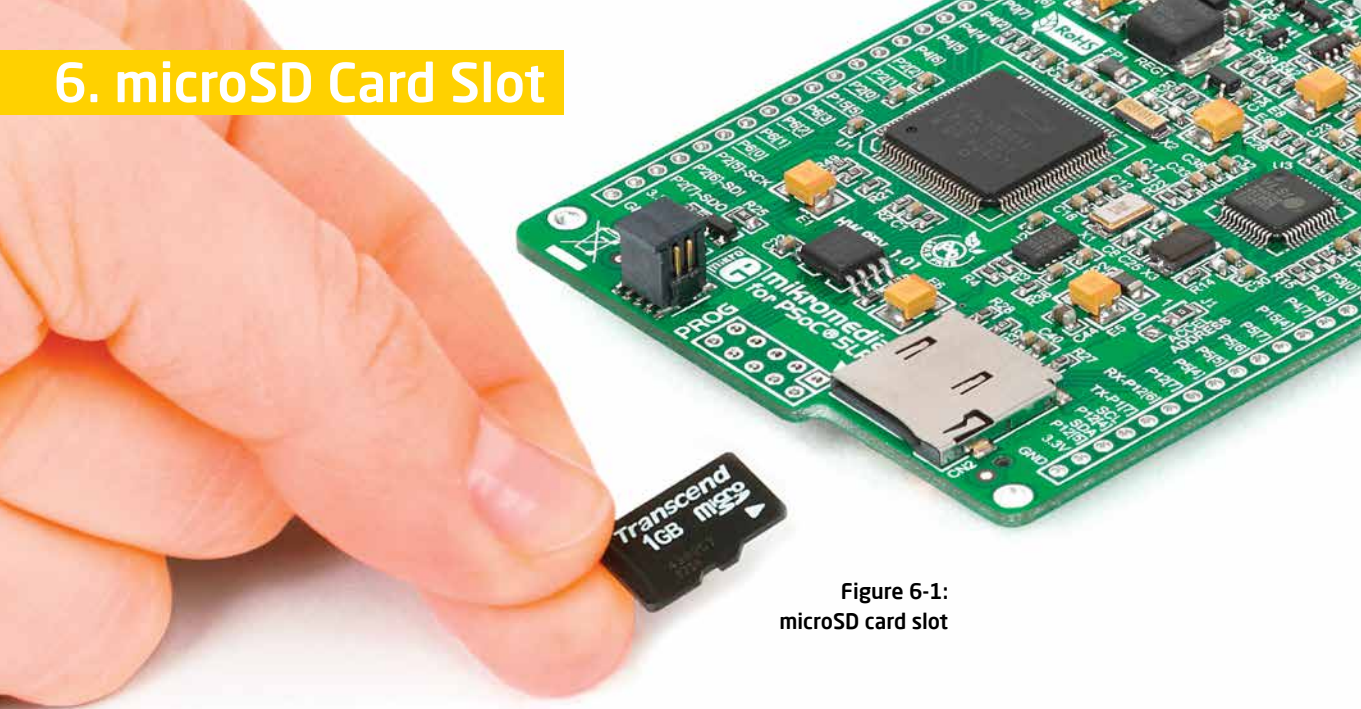


Figure 6-1:  
microSD card slot

Board contains **microSD card slot** for using microSD cards in your projects. It enables you to store large amounts of data externally, thus saving microcontroller's memory. microSD cards use Serial Peripheral Interface (**SPI**) for communication with the microcontroller.

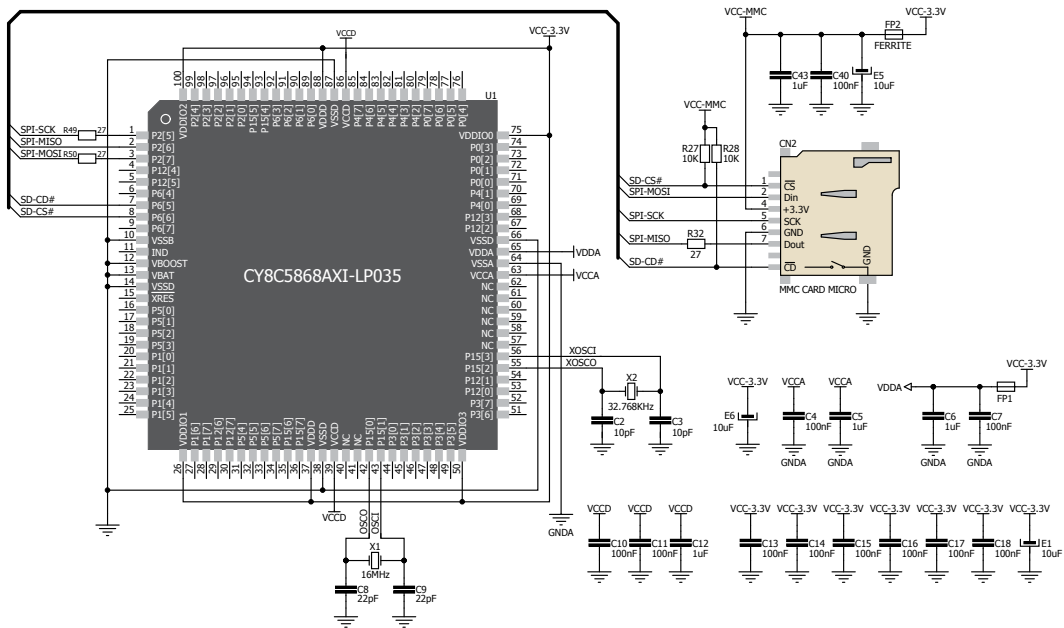


Figure 6-2: microSD card slot module connection schematic

## 7. Touch Screen

The development system features a **TFT 320x240 display** (MI0283QT-9A) covered with a **resistive** touch panel. Together they form a functional **touch screen** unit. It enables data to be entered and displayed at the same time. The TFT display is capable of showing graphics in **262.144** different **colors**.

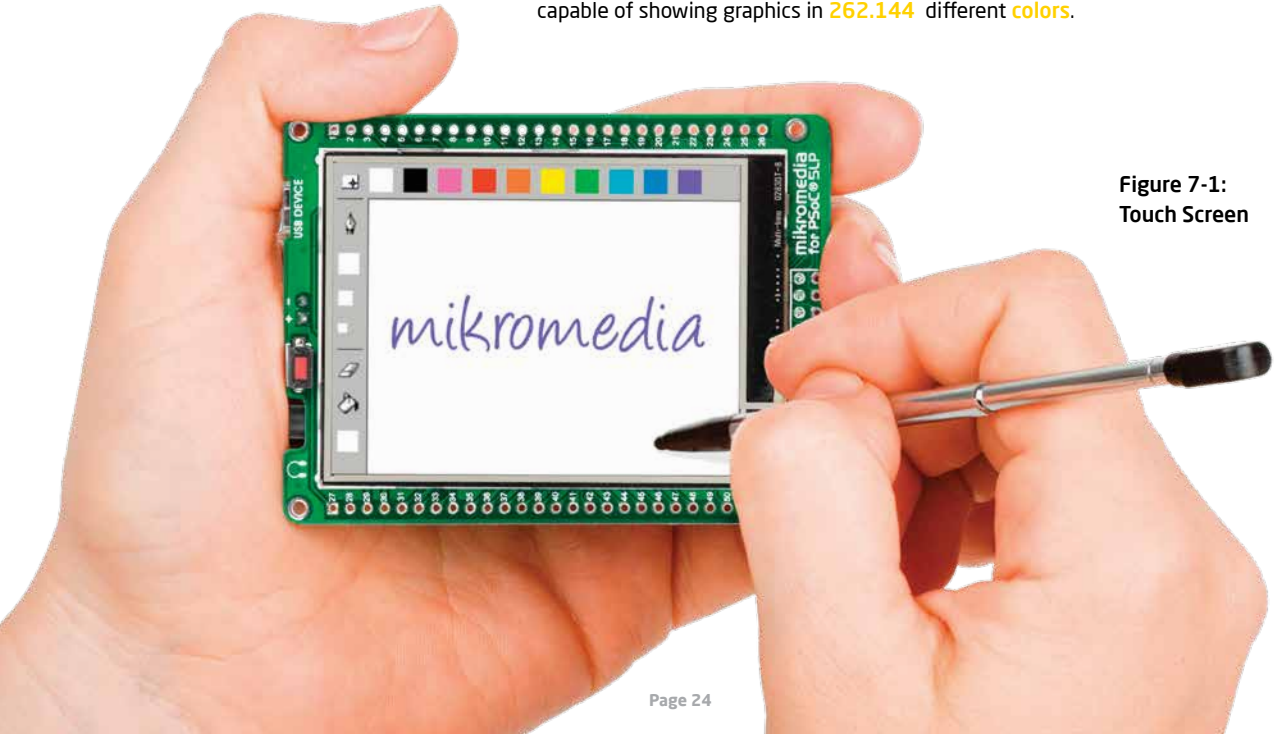


Figure 7-1:  
Touch Screen



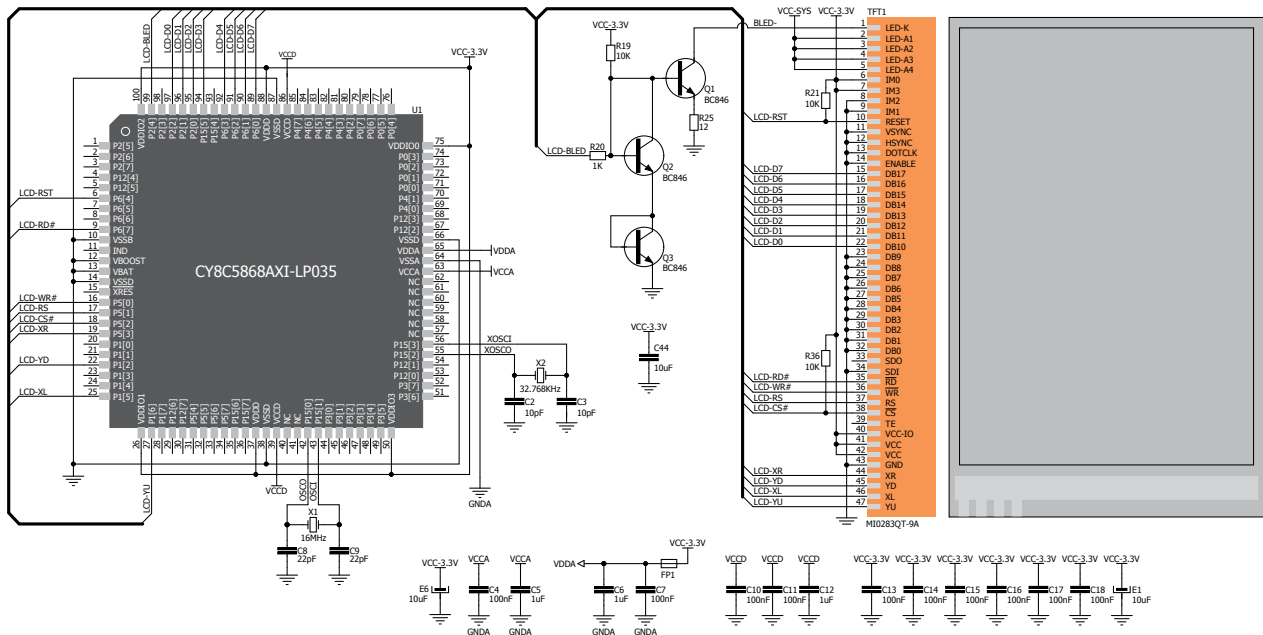
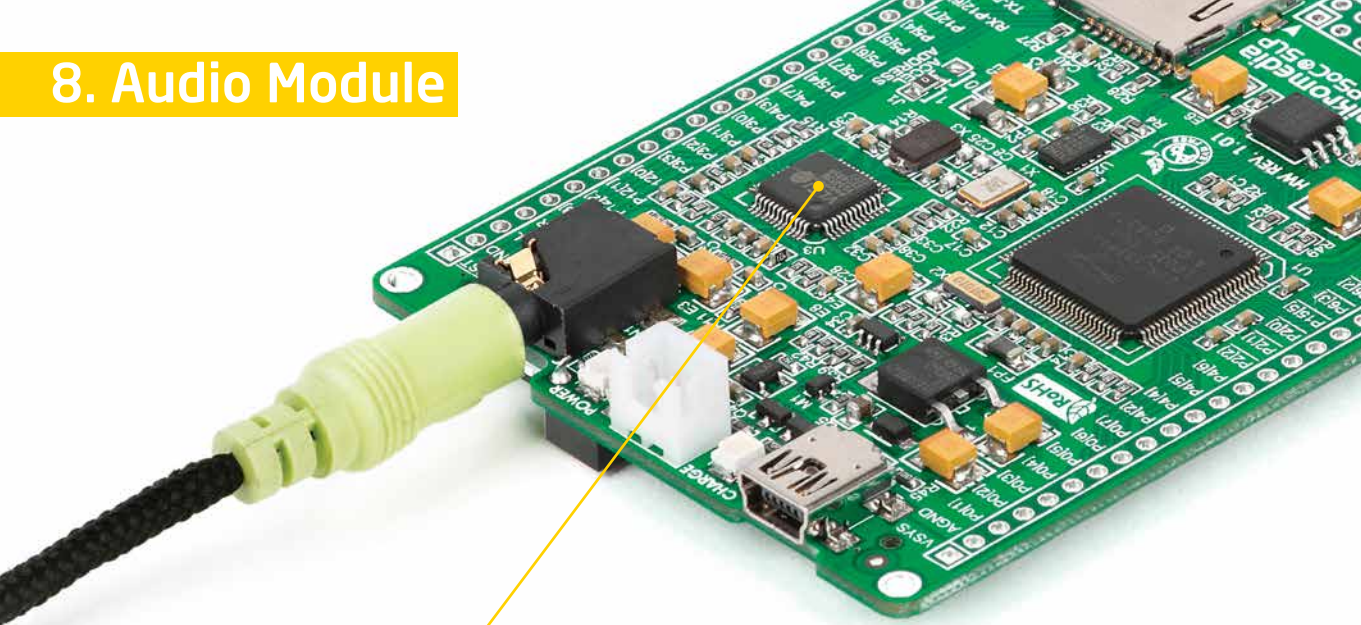


Figure 7-2: Touch Screen connection schematic

## 8. Audio Module



**Figure 8-1:**  
On-board VS1053  
MP3 codec



The mikromedia for PSoC<sup>®</sup> 5LP features stereo audio codec **VS1053**. This module enables audio reproduction through stereo headphones connected to the system via a **3.5mm** connector **CN1**. All functions of this module are controlled by the microcontroller over Serial Peripheral Interface (**SPI**).

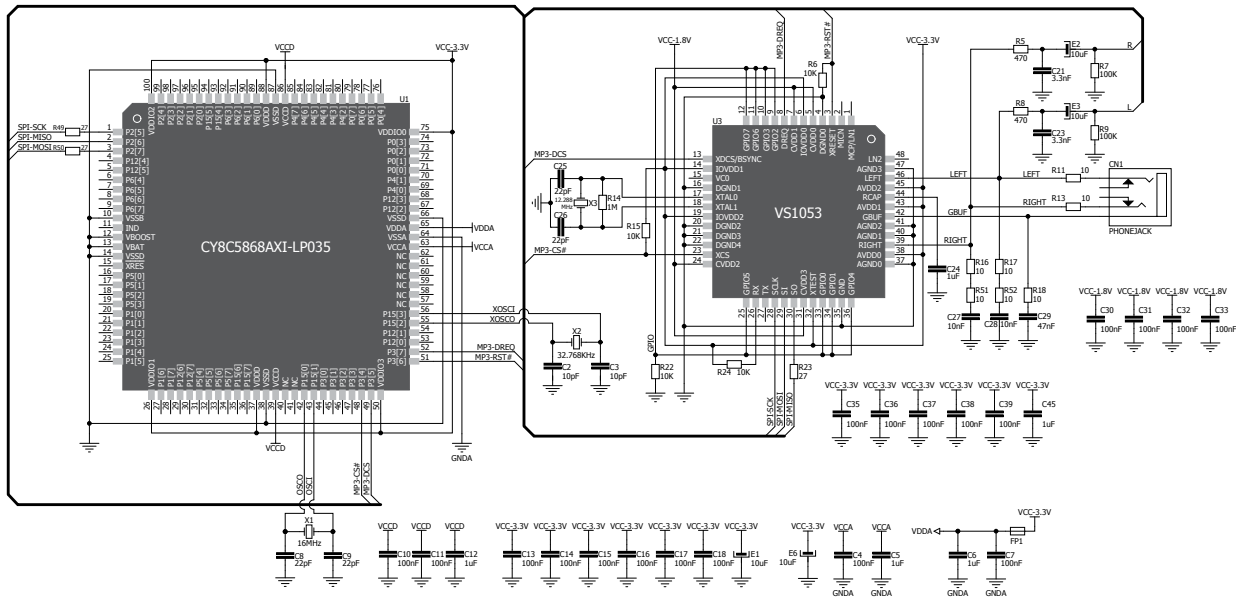


Figure 8-2: Audio module connection schematic

## 9. USB connection

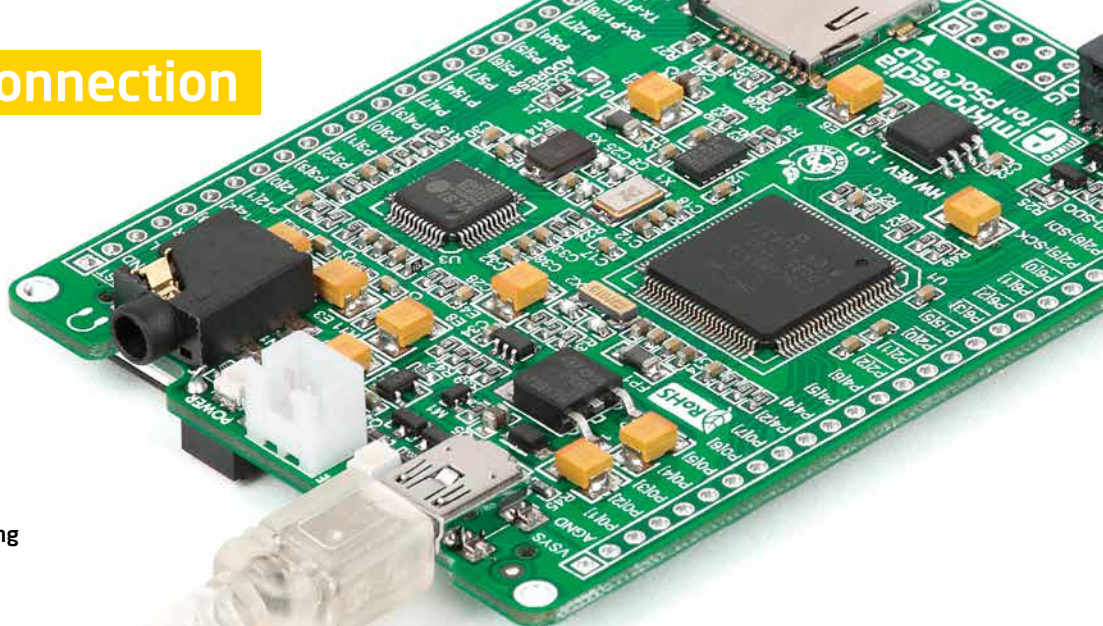


Figure 9-1: Connecting USB cable to MINI-B USB connector

**CY8C5868AXI-LP035** microcontroller has an integrated USB module connected to a MINI-B USB connector on your mikromedia. It can be used to connect the target USB host device, such as a PC, to your board.

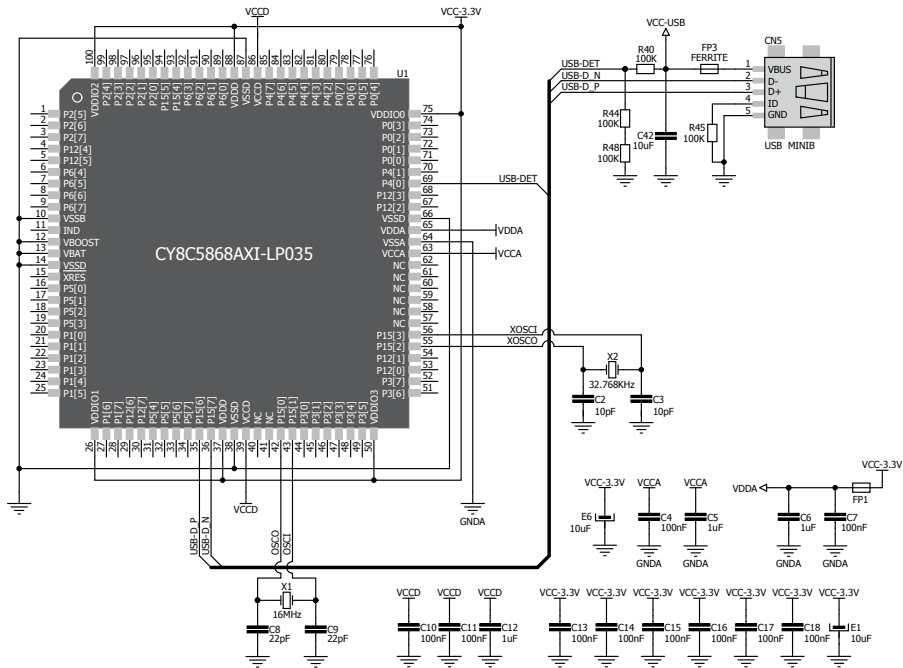


Figure 9-2: USB module connection schematic

# 10. Accelerometer

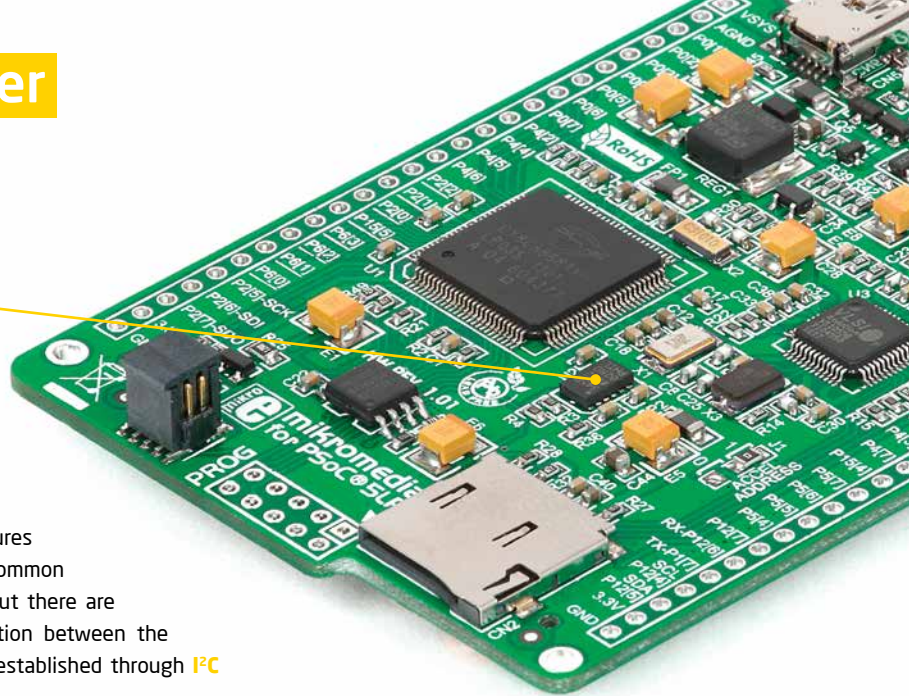


Figure 10-1:  
Accelerometer module

On-board **ADXL345** accelerometer measures acceleration in three axis: x, y and z. Most common use is to determine screen orientation, but there are many other fields of usage. Communication between the accelerometer and the microcontroller is established through **I<sup>2</sup>C** interface.



You can set the accelerometer address to 0 or 1 by re-soldering the SMD jumper (zero-ohm resistor) to the appropriate position. Jumper is soldered to position 1 by default.



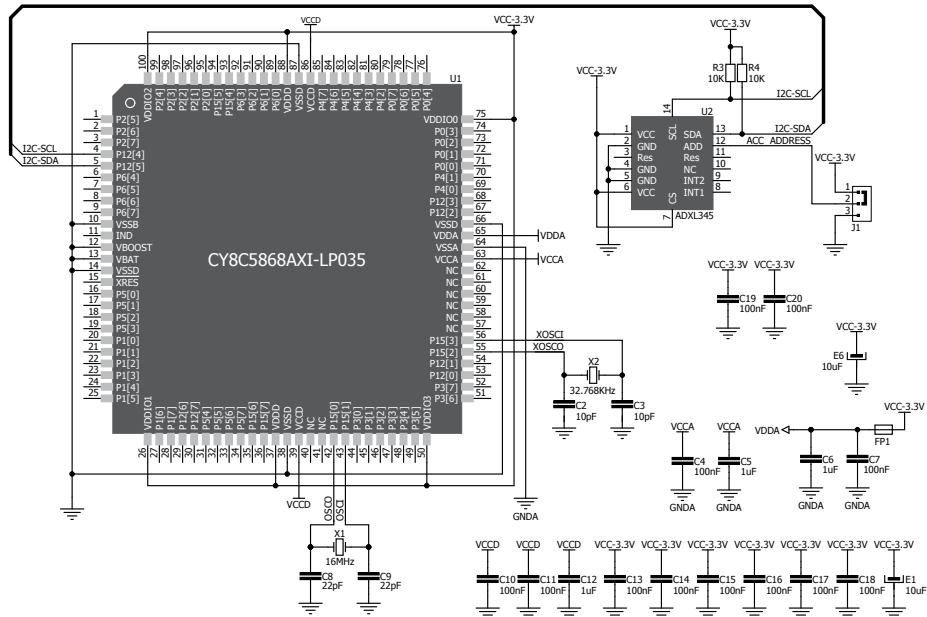


Figure 10-2: Accelerometer connection schematic

# 11. FRAM

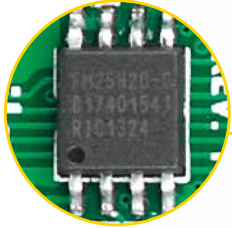
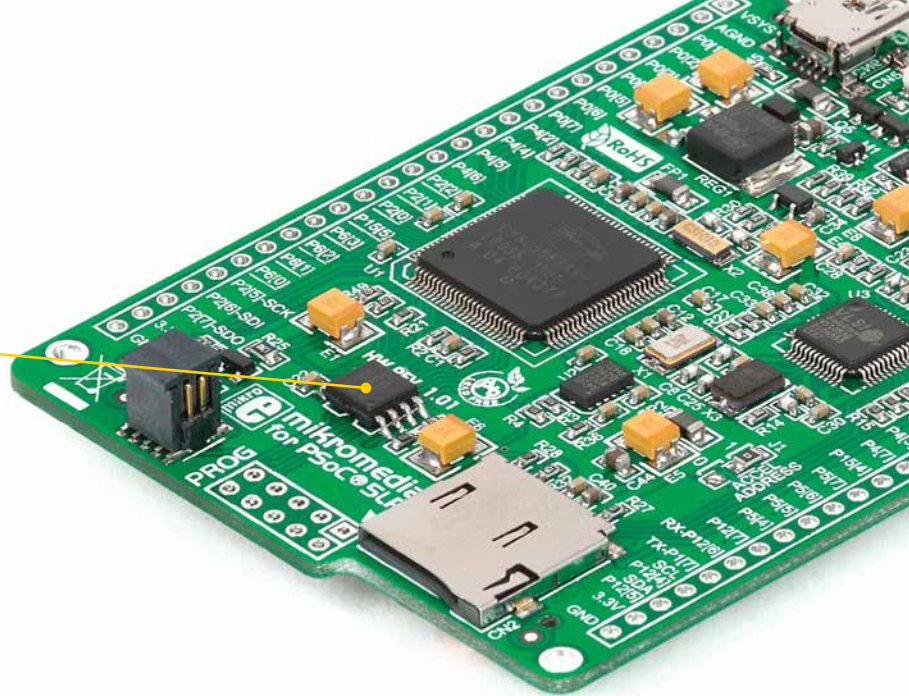


Figure 11-1:  
FRAM module



Since multimedia applications are getting increasingly demanding, it is necessary to provide additional memory space for storing more data. The FRAM module enables the microcontroller to use additional **2Mbit** ferroelectric non-volatile memory. It is connected to the microcontroller via the Serial Peripheral Interface (**SPI**).



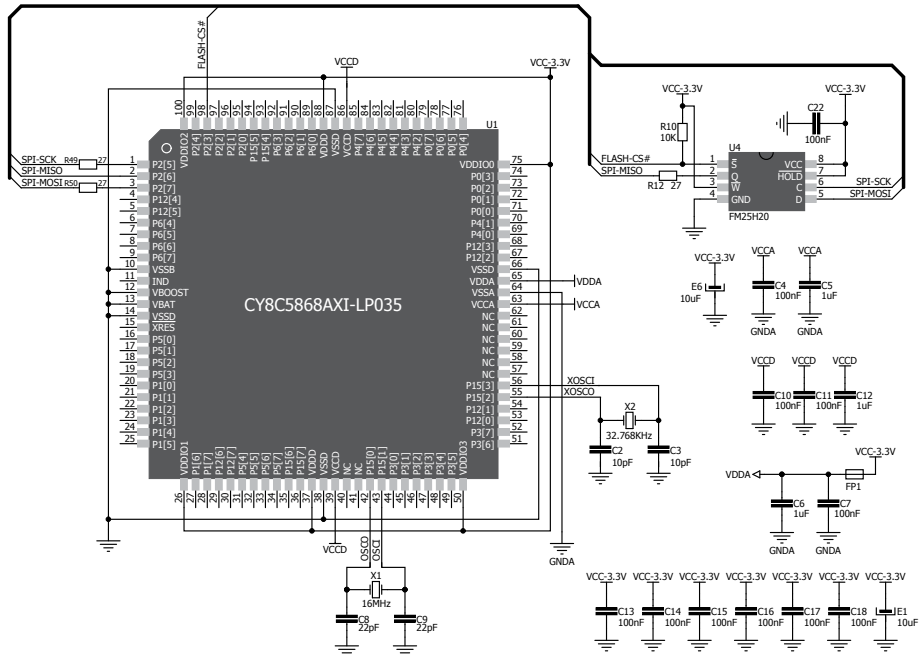


Figure 11-2: FRAM module connection schematic

# 12. Pads



Pads HDR2

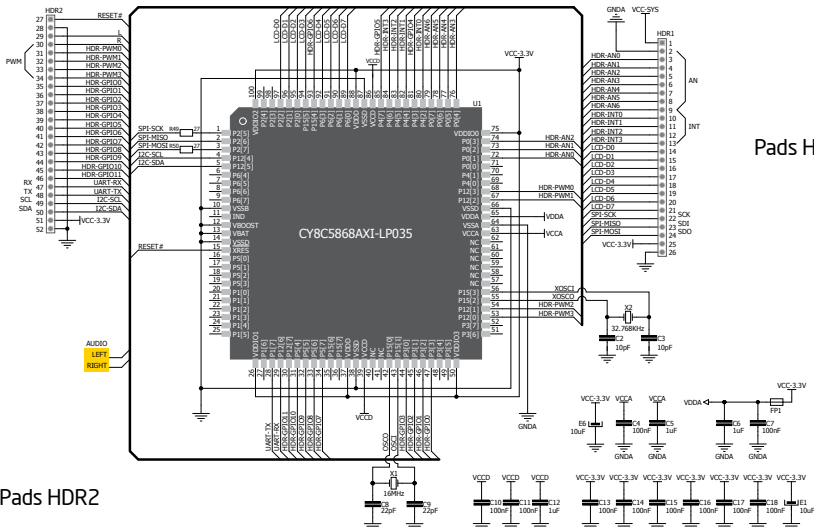


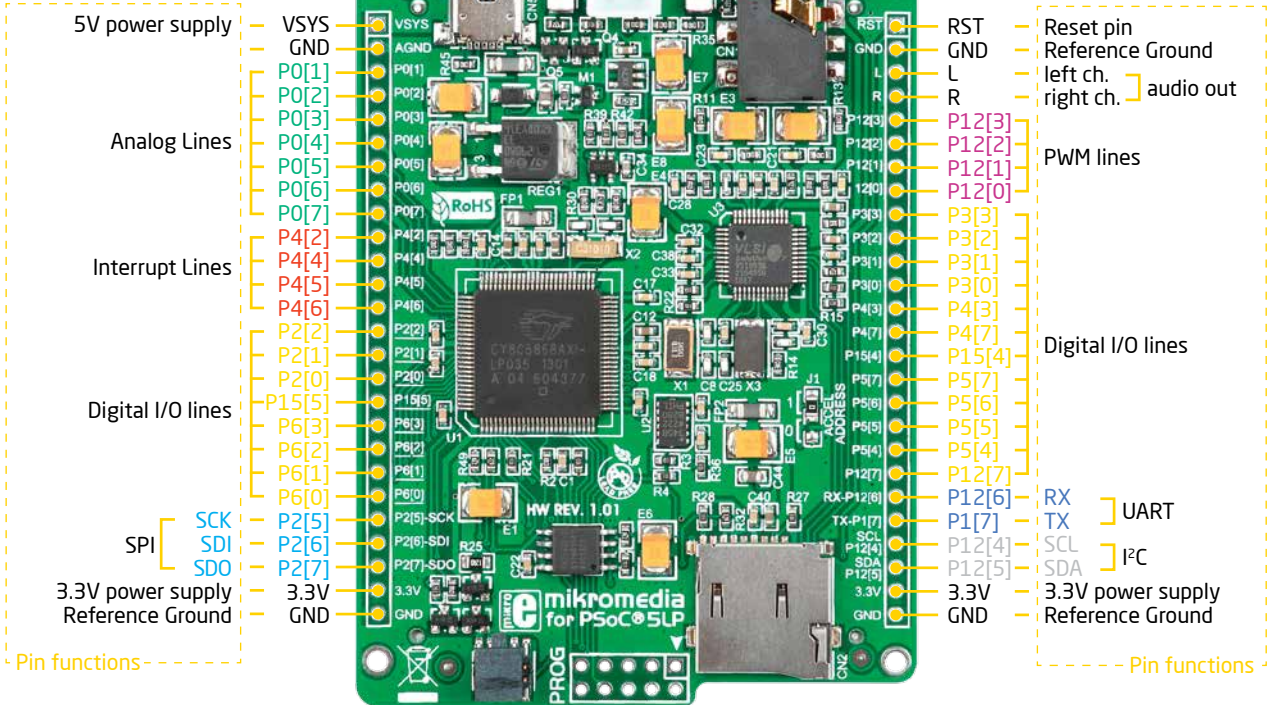
Figure 12-1: Connection pads schematic

Most microcontroller pins are available for further connectivity via two 1x26 rows of connection pads on both sides of the mikromedia board. They are designed to match additional shields, such as the Battery Boost, Gaming, PROTO shields and others.



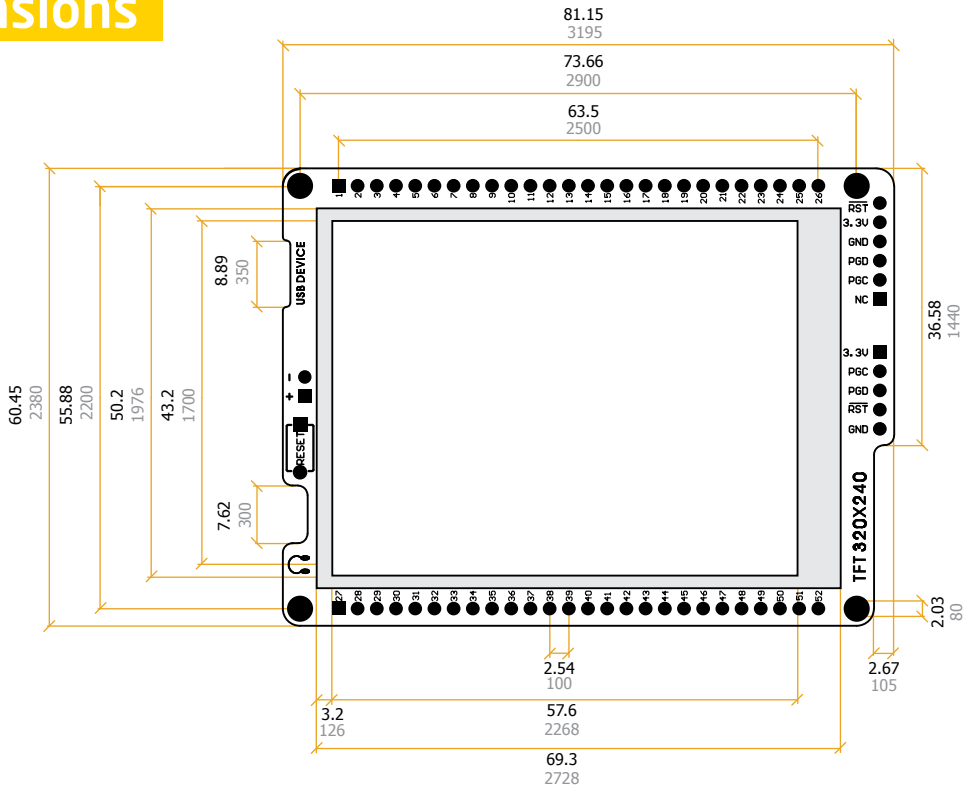
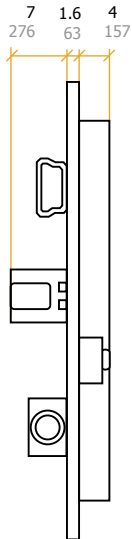
Pads HDR1

# 13. Pinout



■ Digital lines  
 ■ Analog Lines  
 ■ Interrupt Lines  
 ■ SPI Lines  
 ■ I2C Lines  
 ■ UART lines  
 ■ PWM lines

# 14. Dimensions



## Legend

-  mm
-  mils

# 15. mikromedia accessories

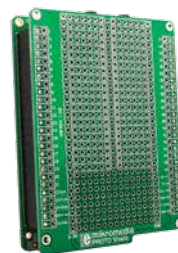
We have prepared a set of extension boards pin-compatible with your mikromedia, which enable you to easily expand your board basic functionality. We call them mikromedia shields. But we also offer other accessories, such as Li-polymer battery, stacking headers, wire jumpers and more.



01 Connect shield



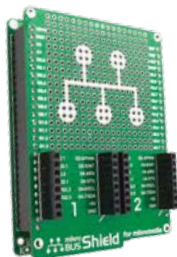
02 BatteryBoost shield



03 PROTO shield



04 Gaming shield



05 mikroBUS shield



06 Li-Polymer battery



07 Wire Jumpers

Notes:





If you want to learn more about our products, please visit our web site at [www.mikroe.com](http://www.mikroe.com)

If you are experiencing some problems with any of our products or just need additional information, please place your ticket at [www.mikroe.com/support/](http://www.mikroe.com/support/)

If you have any questions, comments or business proposals,  
do not hesitate to contact us at [office@mikroe.com](mailto:office@mikroe.com)

mikromedia for PSoC SLP Manual  
ver. 1.01



0 100000 025086