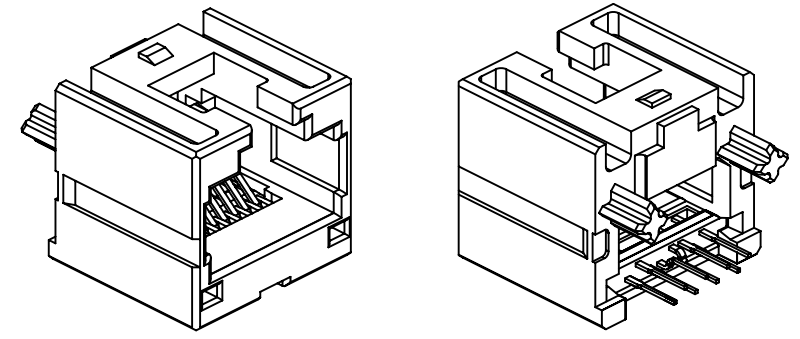
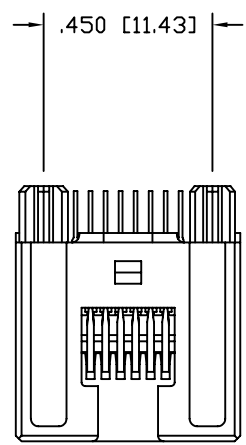
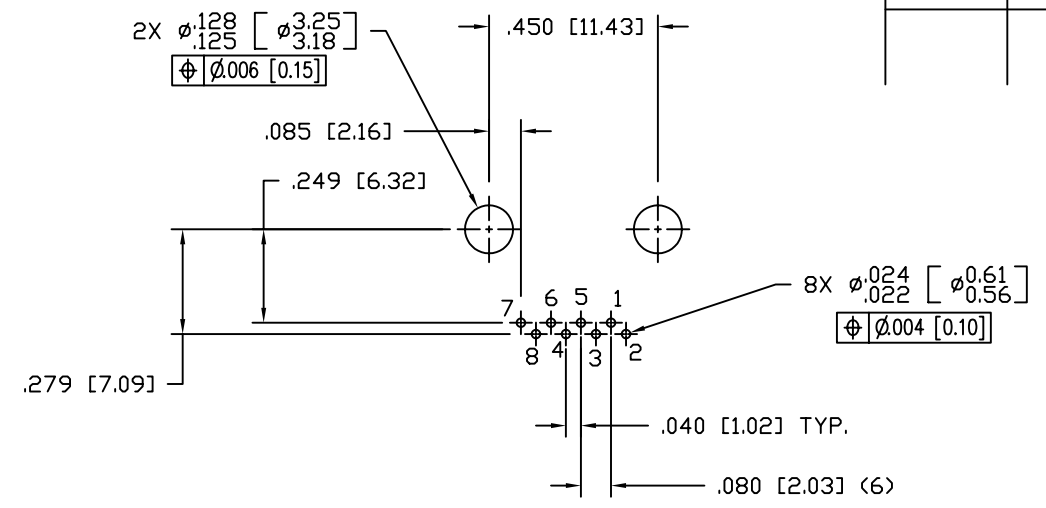


DATE	REV	ECN	APP'D. BY
7-31-08	A0	8505	DHG
03-27-09	A1	8694	DHG
04-08-09	A2	8705	DHG
04-16-10	A3	8955	DHG

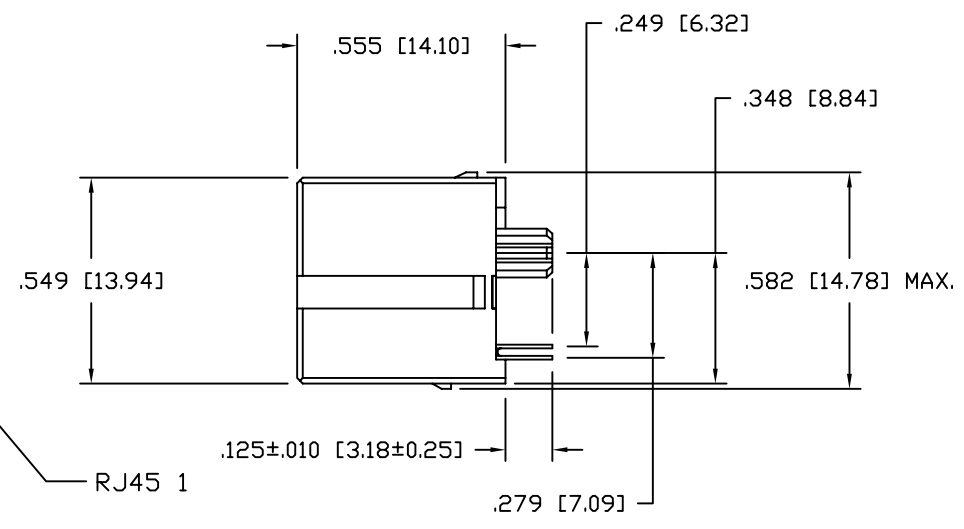
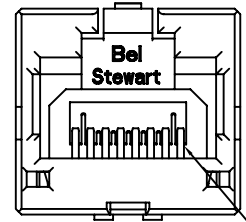


ISOMETRIC VIEWS



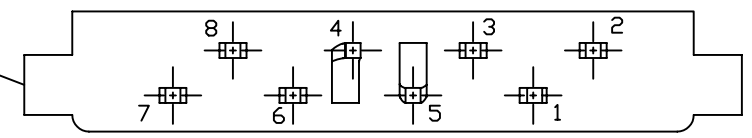
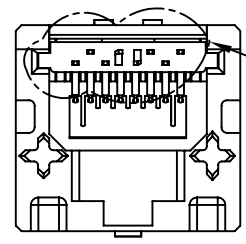
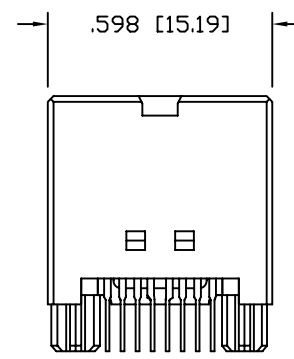
P.C.B. RECOMMENDED HOLE LAYOUT
SEEN FROM COMPONENT SIDE
ALL CENTERLINE DIMENSIONS ARE BASIC.

- NOTES:
- CONNECTOR MATERIALS:
HOUSING: THERMOPLASTIC UL94 V-0
CONTACTS: COPPER ALLOY
CONTACT PLATING: SELECTIVE GOLD IN CONTACT AREA
SEE CHART FOR PART NUMBER
 - DESIGNED FOR CATEGORY 6A APPLICATIONS.
 - DIMENSIONS AND TOLERANCES COMPLY WITH FCC/CFR 47, PART 68.
 - HIGH TEMPERATURE PLASTIC; WAVE SOLDER COMPATIBLE TO 260°C
 - FOR PRODUCT SPECIFICATION SEE PRO33-01
 - FOR PROPER JACK FUNCTION AND PERFORMANCE,
TIA-1096 COMPLIANT PLUGS MUST BE USED.
 - THE ASSEMBLY SHALL WITHSTAND 1414 VDC BETWEEN
CONTACTS FOR 60 SECONDS, MIN.



POSITIONS	1 TO 3	3 TO 5	3 TO 7	2 TO 6	4 TO 6	6 TO 8
CAPACITANCE +/- 80 FEMTOFARADS	500	1050	350	350	1050	500

CAPACITANCE CHARACTERISTICS OF ASSEMBLED CONNECTOR



DETAIL OF PINS

50 MICRO-INCHES [1.27um]	SS-60300-017
CONTACT PLATING IN MATING AREA	PART NUMBER

THIRD ANGLE PROJECTION

DO NOT SCALE DRAWING
DRAWING IS SUBJECT TO
CHANGE WITHOUT NOTICE

DIMENSIONS: INCHES [METRIC]

UNLESS OTHERWISE SPECIFIED
TOLERANCES ARE ±.005 [0.13]
ANGLES ARE ± 1°

SHEET NO. 1 OF 1

PATENTED



Bel Stewart Connector

11118 Susquehanna Trail South
Glen Rock, PA 17327-9199
(717) 235-7512 Fax: (717) 235-7954 <http://www.stewartconnector.com>

TITLE: CATEGORY 6A, VERTICAL
UNSHIELDED JACK

THIS DRAWING AND THE SUBJECT MATTER SHOWN THEREON
ARE CONFIDENTIAL AND THE PROPRIETARY PROPERTY OF
OF STEWART AND SHALL NOT BE REPRODUCED, COPIED
OR USED IN ANY MANNER WITHOUT PRIOR WRITTEN
CONSENT OF STEWART. THE SUBJECT MATTER MAY
BE PATENTED OR A PATENT MAY BE PENDING.

DRN BY: DHG	DATE 4-04-07
APPD BY: TRM	DATE 4-04-07
DWG NO. CT600056	REV. A3

B

B

A

A

REV. 4/15/03