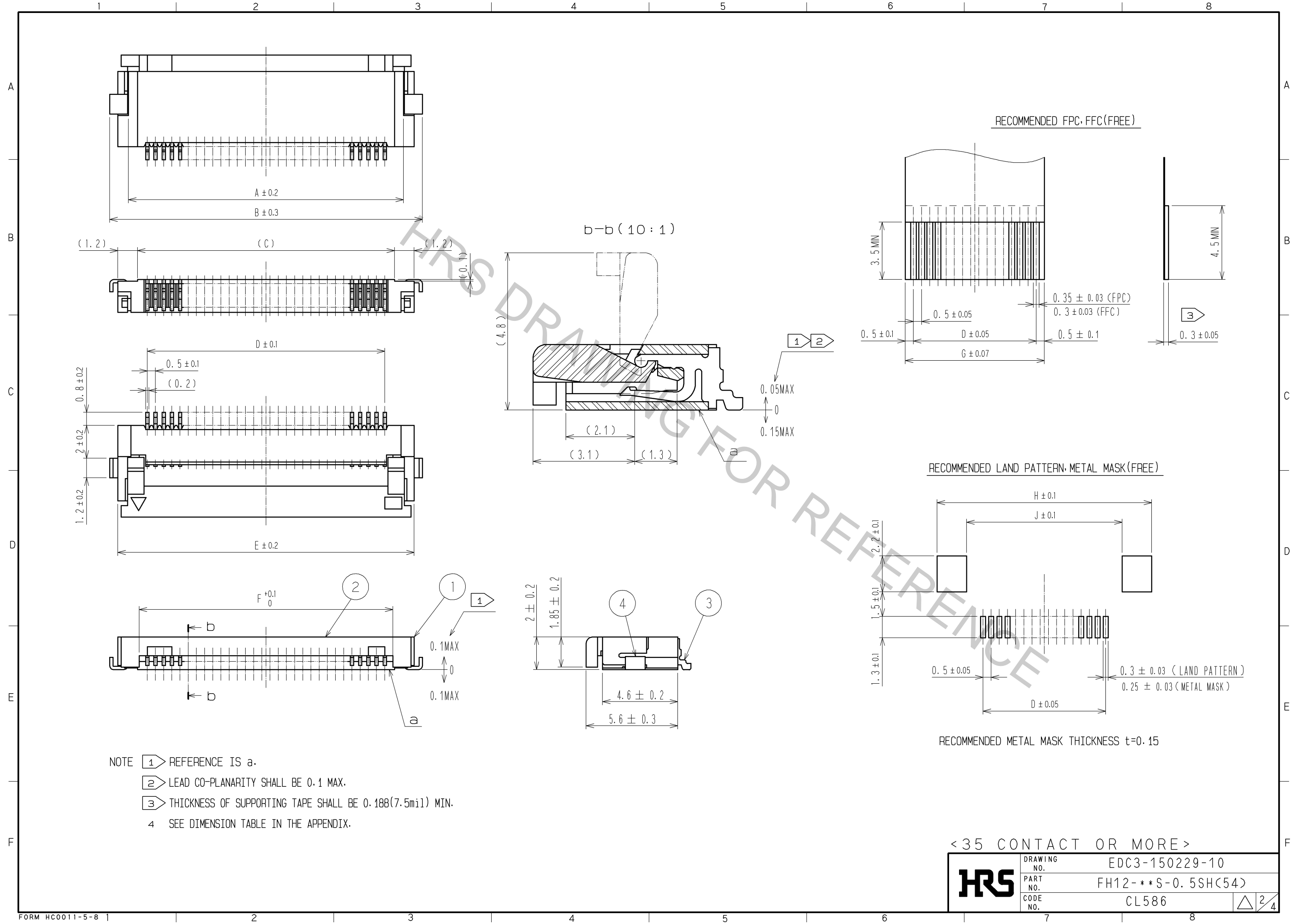


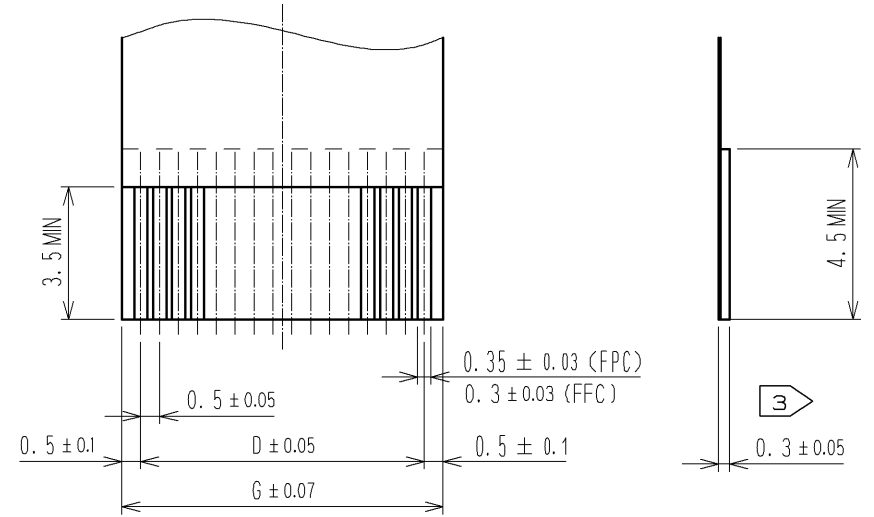
| 4 | BRASS | TIN PLATING 1μMIN OVER NICKEL 1μMIN. | 8 | (CONNECTOR) | |
|-----|-----------------|--|-----|-------------|-----------------|
| 3 | PHOSPHOR BRONZE | (CONTACT AREA, LEAD) GOLD PLATING 0.05μMIN OVER NICKEL 1μMIN (OTHER) NICKEL PLATING 1μMIN | 7 | POLYSTYRENE | |
| 2 | PPS | (DEEP BROWN) UL94V-0 | 6 | POLYESTER | |
| 1 | POLYAMIDE | (BEIGE) UL94V-0 | 5 | POLYSTYRENE | |
| NO. | MATERIAL | FINISH, REMARKS | NO. | MATERIAL | FINISH, REMARKS |

| | | | | | | | |
|---------------------------|--|----------------|-----------|--|---|---------|------|
| UNITS mm | | SCALE 5 : 1 | COUNT | DESCRIPTION OF REVISIONS | DESIGNED | CHECKED | DATE |
| HIROSE ELECTRIC CO., LTD. | | | | APPROVED : MO. ISHIDA 12.06.12 CHECKED : HS. SAKAMOTO 12.06.12 DESIGNED : NM. SANPEI 12.06.11 DRAWN : NM. SANPEI 12.06.11 | DRAWING NO. EDC3-150229-10 PART NO. FH12-**S-0.5SH(54) CODE NO. CL586 | | |

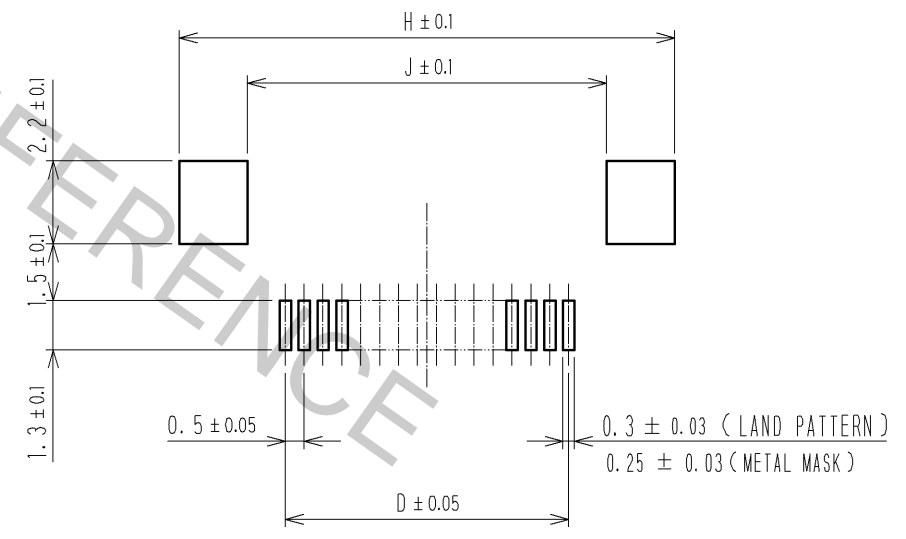
Apr.1.2017 Copyright 2017 HIROSE ELECTRIC CO., LTD. All Rights Reserved.



RECOMMENDED FPC, FFC(FREE)



RECOMMENDED LAND PATTERN, METAL MASK(FREE)



RECOMMENDED METAL MASK THICKNESS t=0.15

- NOTE
- ① REFERENCE IS a.
 - ② LEAD CO-PLANARITY SHALL BE 0.1 MAX.
 - ③ THICKNESS OF SUPPORTING TAPE SHALL BE 0.188(7.5mil) MIN.
 - ④ SEE DIMENSION TABLE IN THE APPENDIX.

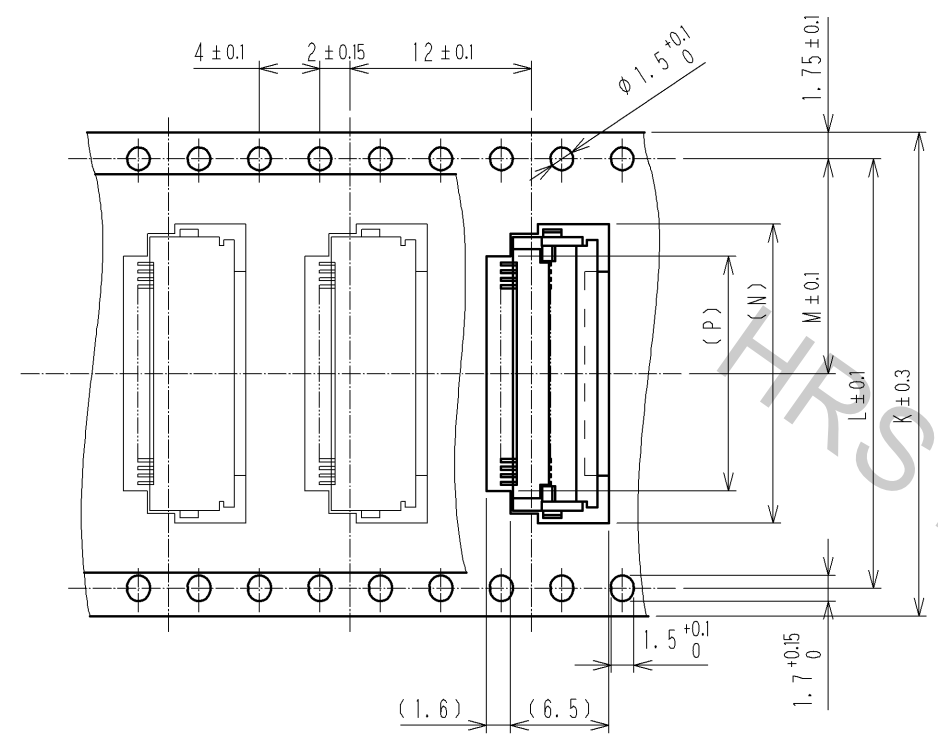
< 35 CONTACT OR MORE >

| | | |
|------------|-------------|--------------------|
| HRS | DRAWING NO. | EDC3-150229-10 |
| | PART NO. | FH12-**S-0.5SH(54) |
| | CODE NO. | CL586 |
| | | △ 2/4 |

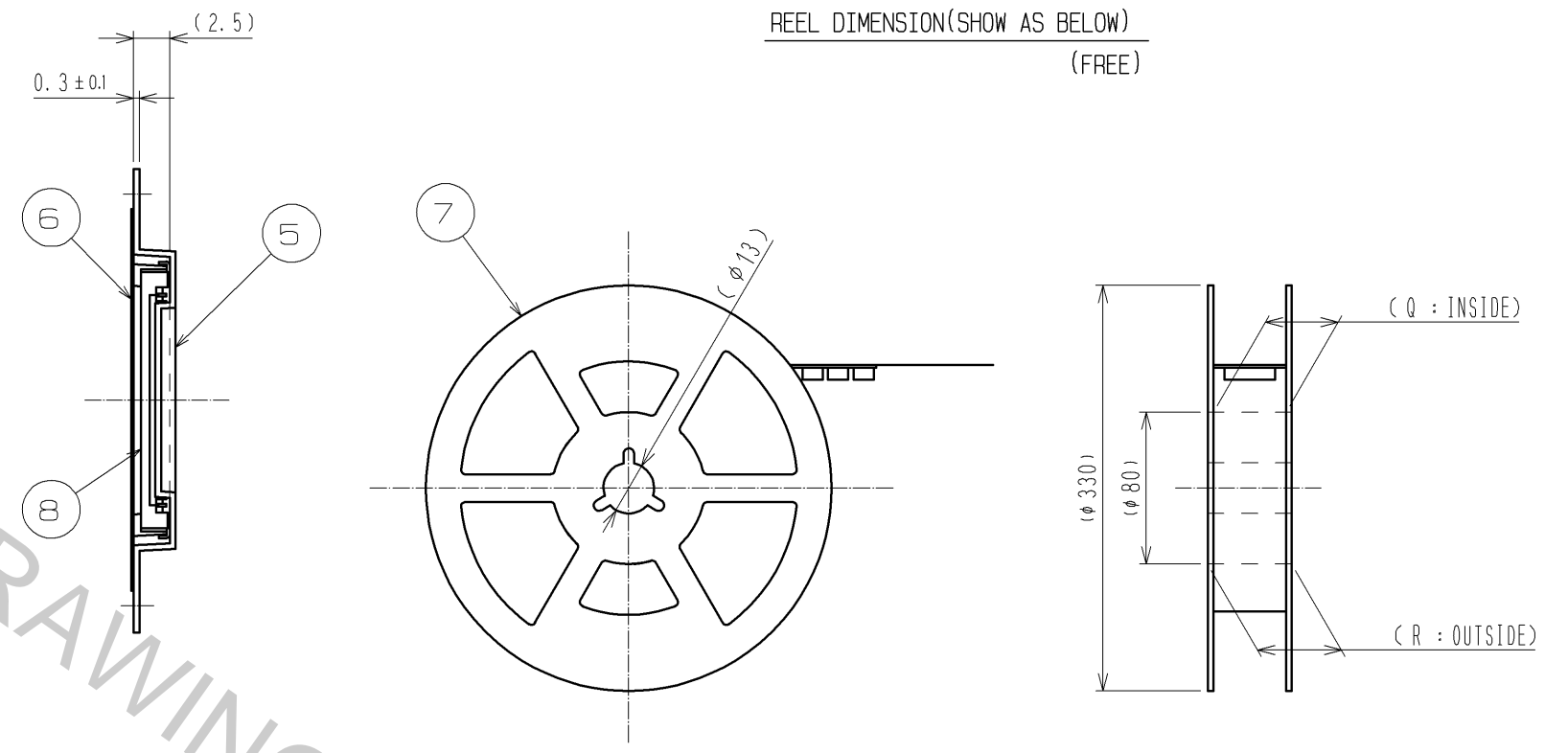
1 2 3 4 5 6 7 8

EMBOSSED CARRIER TAPE DIMENSION (2:1)

TAPE WIDTH: 32mm MIN

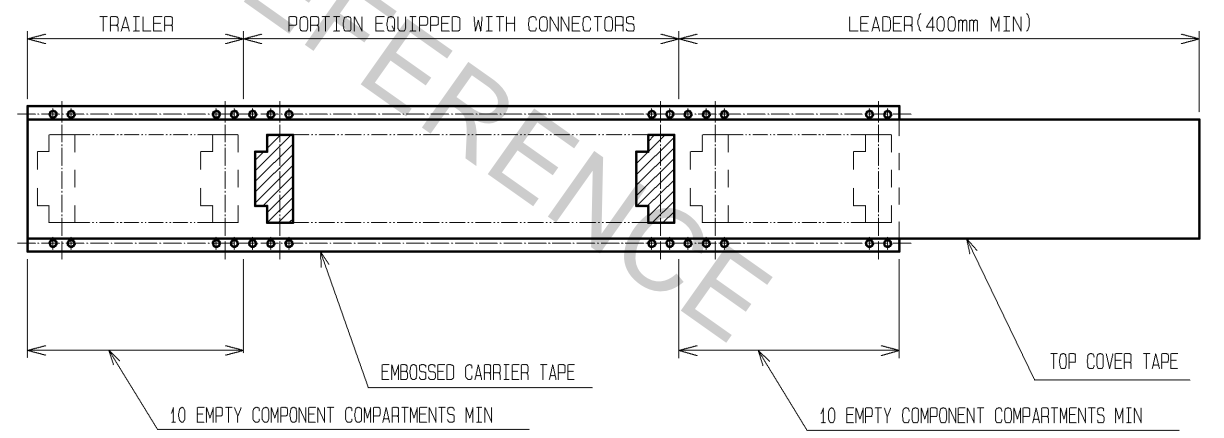
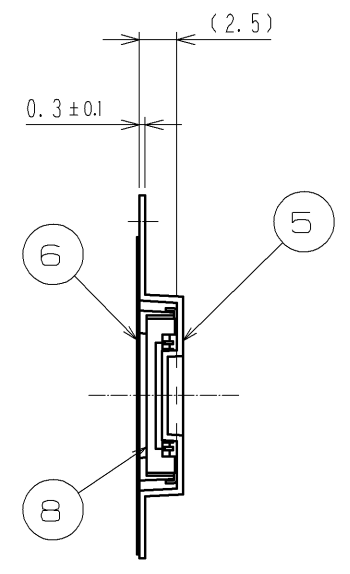
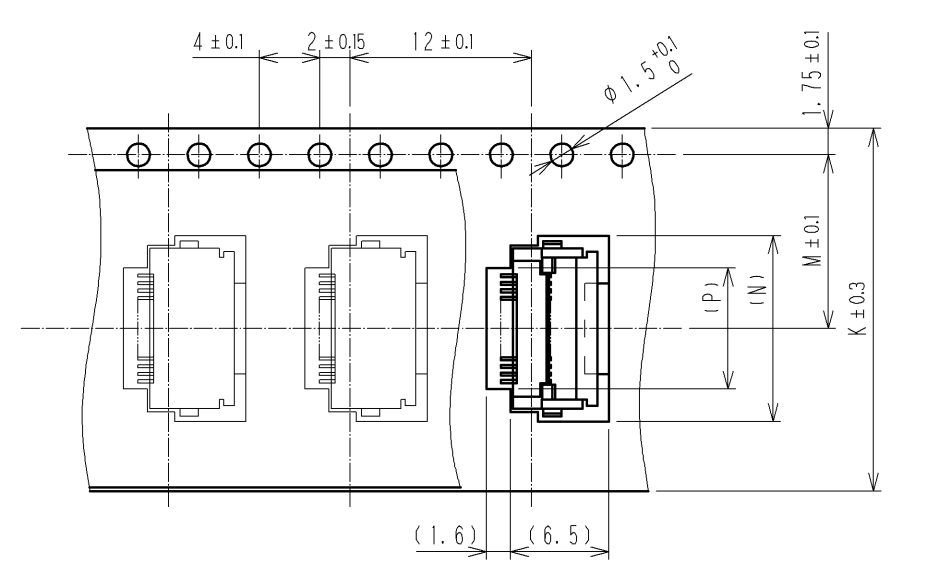


REEL DIMENSION(SHOW AS BELOW)
(FREE)



DIRECTION OF UNREELING

TAPE WIDTH: 24mm MAX



NOTE 6 THE DIMENSIONS IN PARENTHESES ARE FOR REFERENCE.

7 1 REEL : 2000 CONNECTORS.

8 SEE DIMENSION TABLE IN THE APPENDIX.

DIRECTION OF UNREELING

<DRAWING FOR PACKING>

| | | |
|------------|-------------|--------------------|
| HRS | DRAWING NO. | EDC3-150229-10 |
| | PART NO. | FH12-**S-0.5SH(54) |
| | CODE NO. | CL586 |
| | | △ 3/4 |

A B C D E F

DIMENSION TABLE OF CONNECTOR, FPC, FFC, LAND PATTERN AND METAL MASK

| PART NO. | CODE NO. | * | A | B | C | D | E | F | G | H | J |
|--------------------|-----------------|----|------|------|------|------|------|-------|------|------|------|
| FH12- 6S-0.5SH(54) | CL586-0582-5-54 | 6 | 4.9 | 7.1 | 3.7 | 2.5 | 6.1 | 3.57 | 3.5 | 8.1 | 4.5 |
| FH12- 8S-0.5SH(54) | CL586-0744-5-54 | 8 | 5.9 | 8.1 | 4.7 | 3.5 | 7.1 | 4.57 | 4.5 | 9.1 | 5.5 |
| FH12-10S-0.5SH(54) | CL586-0522-3-54 | 10 | 6.9 | 9.1 | 5.7 | 4.5 | 8.1 | 5.57 | 5.5 | 10.1 | 6.5 |
| FH12-11S-0.5SH(54) | CL586-0600-5-54 | 11 | 7.4 | 9.6 | 6.2 | 5 | 8.6 | 6.07 | 6 | 10.6 | 7 |
| FH12-12S-0.5SH(54) | CL586-0704-0-54 | 12 | 7.9 | 10.4 | 6.7 | 5.5 | 9.1 | 6.57 | 6.5 | 11.1 | 7.5 |
| FH12-13S-0.5SH(54) | CL586-0549-0-54 | 13 | 8.4 | 10.6 | 7.2 | 6 | 9.6 | 7.07 | 7 | 11.6 | 8 |
| FH12-14S-0.5SH(54) | CL586-0533-0-54 | 14 | 8.9 | 11.1 | 7.7 | 6.5 | 10.1 | 7.57 | 7.5 | 12.1 | 8.5 |
| FH12-15S-0.5SH(54) | CL586-0523-6-54 | 15 | 9.4 | 11.6 | 8.2 | 7 | 10.6 | 8.07 | 8 | 12.6 | 9 |
| FH12-16S-0.5SH(54) | CL586-0531-4-54 | 16 | 9.9 | 12.1 | 8.7 | 7.5 | 11.1 | 8.57 | 8.5 | 13.1 | 9.5 |
| FH12-17S-0.5SH(54) | CL586-0606-1-54 | 17 | 10.4 | 12.6 | 9.2 | 8 | 11.6 | 9.07 | 9 | 13.6 | 10 |
| FH12-18S-0.5SH(54) | CL586-0530-1-54 | 18 | 10.9 | 13.1 | 9.7 | 8.5 | 12.1 | 9.57 | 9.5 | 14.1 | 10.5 |
| FH12-19S-0.5SH(54) | CL586-0534-2-54 | 19 | 11.4 | 13.6 | 10.2 | 9 | 12.6 | 10.07 | 10 | 14.6 | 11 |
| FH12-20S-0.5SH(54) | CL586-0524-9-54 | 20 | 11.9 | 14.1 | 10.7 | 9.5 | 13.1 | 10.57 | 10.5 | 15.1 | 11.5 |
| FH12-22S-0.5SH(54) | CL586-0532-7-54 | 22 | 12.9 | 15.1 | 11.7 | 10.5 | 14.1 | 11.57 | 11.5 | 16.1 | 12.5 |
| FH12-24S-0.5SH(54) | CL586-0521-0-54 | 24 | 13.9 | 16.1 | 12.7 | 11.5 | 15.1 | 12.57 | 12.5 | 17.1 | 13.5 |
| FH12-25S-0.5SH(54) | CL586-0692-3-54 | 25 | 14.4 | 16.6 | 13.2 | 12 | 15.6 | 13.07 | 13 | 17.6 | 14 |
| FH12-26S-0.5SH(54) | CL586-0576-2-54 | 26 | 14.9 | 17.1 | 13.7 | 12.5 | 16.1 | 13.57 | 13.5 | 18.1 | 14.5 |
| FH12-28S-0.5SH(54) | CL586-0612-4-54 | 28 | 15.9 | 18.1 | 14.7 | 13.5 | 17.1 | 14.57 | 14.5 | 19.1 | 15.5 |
| FH12-30S-0.5SH(54) | CL586-0525-1-54 | 30 | 16.9 | 19.1 | 15.7 | 14.5 | 18.1 | 15.57 | 15.5 | 20.1 | 16.5 |
| FH12-32S-0.5SH(54) | CL586-0681-7-54 | 32 | 17.9 | 20.1 | 16.7 | 15.5 | 19.1 | 16.57 | 16.5 | 21.1 | 17.5 |
| FH12-33S-0.5SH(54) | CL586-0520-8-54 | 33 | 18.4 | 20.6 | 17.2 | 16 | 19.6 | 17.07 | 17 | 21.6 | 18 |
| FH12-34S-0.5SH(54) | CL586-0617-8-54 | 34 | 18.9 | 21.1 | 17.7 | 16.5 | 20.1 | 17.57 | 17.5 | 22.1 | 18.5 |
| FH12-35S-0.5SH(54) | CL586-0740-4-54 | 35 | 19.4 | 21.6 | 18.2 | 17 | 20.6 | 18.07 | 18 | 22.6 | 19 |
| FH12-36S-0.5SH(54) | CL586-0526-4-54 | 36 | 19.9 | 22.1 | 18.7 | 17.5 | 21.1 | 18.57 | 18.5 | 23.1 | 19.5 |
| FH12-40S-0.5SH(54) | CL586-0527-7-54 | 40 | 21.9 | 24.1 | 20.7 | 19.5 | 23.1 | 20.57 | 20.5 | 25.1 | 21.5 |
| FH12-45S-0.5SH(54) | CL586-0528-0-54 | 45 | 24.4 | 26.6 | 23.2 | 22 | 25.6 | 23.07 | 23 | 27.6 | 24 |
| FH12-50S-0.5SH(54) | CL586-0529-2-54 | 50 | 26.9 | 29.1 | 25.7 | 24.5 | 28.1 | 25.57 | 25.5 | 30.1 | 26.5 |
| FH12-53S-0.5SH(54) | CL586-0595-7-54 | 53 | 28.4 | 30.6 | 27.2 | 26 | 29.6 | 27.07 | 27 | 31.6 | 28 |

DIMENSION TABLE OF DRAWING FOR PACKING

| PART NO. | CODE NO. | * | K | L | M | N | P | Q | R |
|--------------------|-----------------|----|----|------|------|------|------|------|------|
| FH12- 6S-0.5SH(54) | CL586-0582-5-54 | 6 | 16 | — | 7.5 | 7.8 | 3.5 | 17.4 | 21.4 |
| FH12- 8S-0.5SH(54) | CL586-0744-5-54 | 8 | 16 | — | 7.5 | 8.8 | 4.5 | 17.4 | 21.4 |
| FH12-10S-0.5SH(54) | CL586-0522-3-54 | 10 | 16 | — | 7.5 | 9.8 | 5.5 | 17.4 | 21.4 |
| FH12-11S-0.5SH(54) | CL586-0600-5-54 | 11 | 16 | — | 7.5 | 10.3 | 6 | 17.4 | 21.4 |
| FH12-12S-0.5SH(54) | CL586-0704-0-54 | 12 | 24 | — | 11.5 | 10.8 | 6.5 | 25.4 | 29.4 |
| FH12-13S-0.5SH(54) | CL586-0549-0-54 | 13 | 24 | — | 11.5 | 11.3 | 7 | 25.4 | 29.4 |
| FH12-14S-0.5SH(54) | CL586-0533-0-54 | 14 | 24 | — | 11.5 | 11.8 | 7.5 | 25.4 | 29.4 |
| FH12-15S-0.5SH(54) | CL586-0523-6-54 | 15 | 24 | — | 11.5 | 12.3 | 8 | 25.4 | 29.4 |
| FH12-16S-0.5SH(54) | CL586-0531-4-54 | 16 | 24 | — | 11.5 | 12.8 | 8.5 | 25.4 | 29.4 |
| FH12-17S-0.5SH(54) | CL586-0606-1-54 | 17 | 24 | — | 11.5 | 13.3 | 9 | 25.4 | 29.4 |
| FH12-18S-0.5SH(54) | CL586-0530-1-54 | 18 | 24 | — | 11.5 | 13.8 | 9.5 | 25.4 | 29.4 |
| FH12-19S-0.5SH(54) | CL586-0534-2-54 | 19 | 24 | — | 11.5 | 14.3 | 10 | 25.4 | 29.4 |
| FH12-20S-0.5SH(54) | CL586-0524-9-54 | 20 | 24 | — | 11.5 | 14.8 | 10.5 | 25.4 | 29.4 |
| FH12-22S-0.5SH(54) | CL586-0532-7-54 | 22 | 24 | — | 11.5 | 15.8 | 11.5 | 25.4 | 29.4 |
| FH12-24S-0.5SH(54) | CL586-0521-0-54 | 24 | 24 | — | 11.5 | 16.8 | 12.5 | 25.4 | 29.4 |
| FH12-25S-0.5SH(54) | CL586-0692-3-54 | 25 | 24 | — | 11.5 | 17.3 | 13 | 25.4 | 29.4 |
| FH12-26S-0.5SH(54) | CL586-0576-2-54 | 26 | 24 | — | 11.5 | 17.8 | 13.5 | 25.4 | 29.4 |
| FH12-28S-0.5SH(54) | CL586-0612-4-54 | 28 | 32 | 28.4 | 14.2 | 18.8 | 14.5 | 33.4 | 37.4 |
| FH12-30S-0.5SH(54) | CL586-0525-1-54 | 30 | 32 | 28.4 | 14.2 | 19.8 | 15.5 | 33.4 | 37.4 |
| FH12-32S-0.5SH(54) | CL586-0681-7-54 | 32 | 32 | 28.4 | 14.2 | 20.8 | 16.5 | 33.4 | 37.4 |
| FH12-33S-0.5SH(54) | CL586-0520-8-54 | 33 | 32 | 28.4 | 14.2 | 21.3 | 17 | 33.4 | 37.4 |
| FH12-34S-0.5SH(54) | CL586-0617-8-54 | 34 | 32 | 28.4 | 14.2 | 21.8 | 17.5 | 33.4 | 37.4 |
| FH12-35S-0.5SH(54) | CL586-0740-4-54 | 35 | 44 | 40.4 | 20.2 | 22.3 | 18 | 45.4 | 49.4 |
| FH12-36S-0.5SH(54) | CL586-0526-4-54 | 36 | 44 | 40.4 | 20.2 | 22.8 | 18.5 | 45.4 | 49.4 |
| FH12-40S-0.5SH(54) | CL586-0527-7-54 | 40 | 44 | 40.4 | 20.2 | 24.8 | 20.5 | 45.4 | 49.4 |
| FH12-45S-0.5SH(54) | CL586-0528-0-54 | 45 | 44 | 40.4 | 20.2 | 27.3 | 23 | 45.4 | 49.4 |
| FH12-50S-0.5SH(54) | CL586-0529-2-54 | 50 | 44 | 40.4 | 20.2 | 29.8 | 25.5 | 45.4 | 49.4 |
| FH12-53S-0.5SH(54) | CL586-0595-7-54 | 53 | 44 | 40.4 | 20.2 | 31.3 | 27 | 45.4 | 49.4 |

* : NUMBER OF CONTACTS

| | | | |
|------------|-------------|----------------------|-------|
| HRS | DRAWING NO. | EDC3-150229-10 | |
| | PART NO. | FH12- ** S-0.5SH(54) | |
| | CODE NO. | CL586 | △ 4/4 |