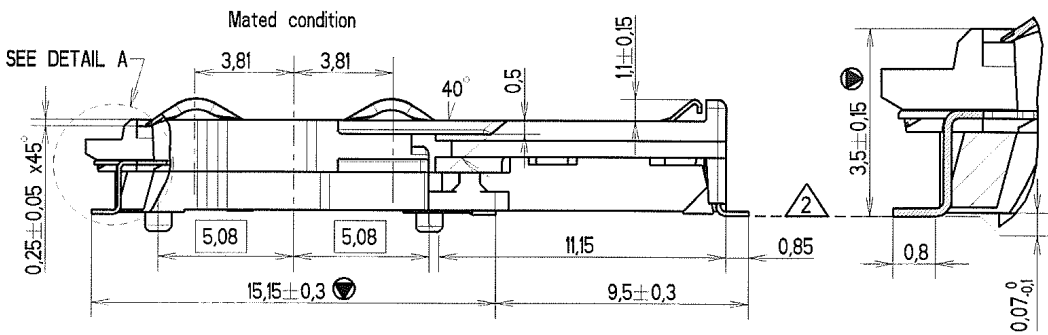
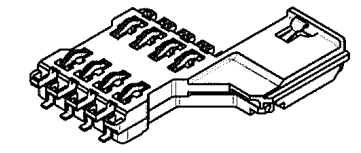
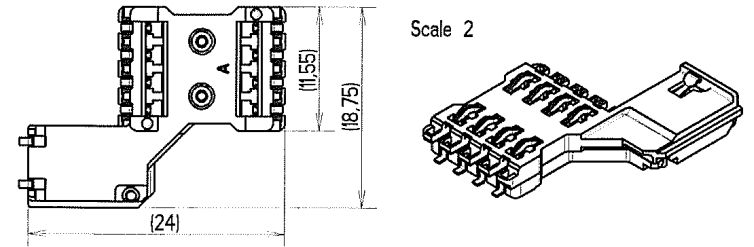


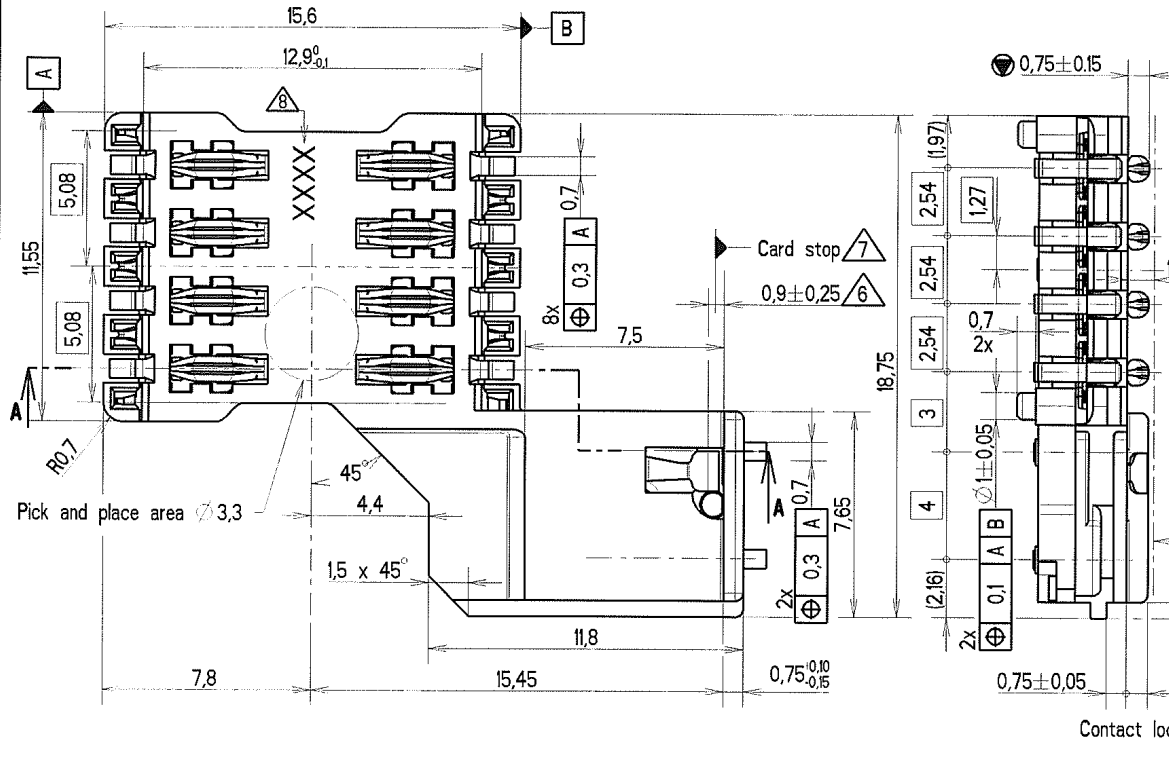
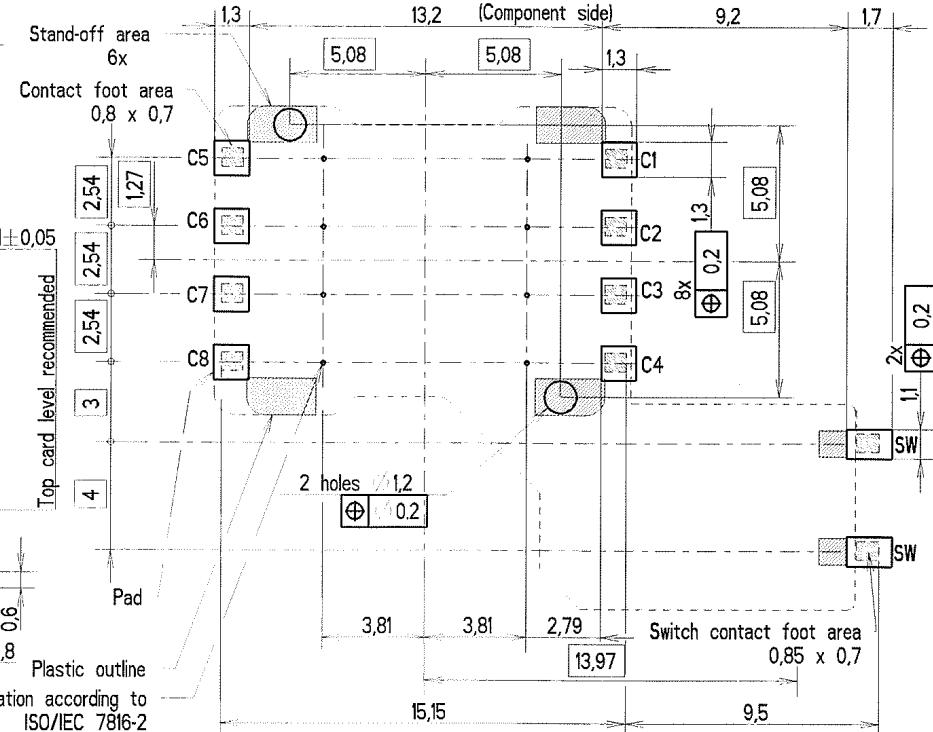
REV.	N° DCR	NATURE DE LA MODIFICATION	DATE	VISA
A	ECR-1569	1 ± 0.05 → 1.1 ± 0.05 (D2) ; SPC dimensions added	09/11/2007	V.P
B	ECR-3753	PCF update	20-04-2009	D.F



DETAIL A  
SCALE 10



RECOMMENDED PC BOARD LAYOUT  
13.2 (Component side)



SYSTEM CONFIDENTIAL

- Notes :
- 1 - Termination to PCB : SMT reflow soldering. Temperature/time profile according to C&K PS-LF-001 specification.
  - 2 - Coplanarity of metal soldering surfaces : 0,1 mm.
  - 3 - Recommendation for solder paste thickness > 0,2 mm.
  - 4 - 2,5 microns min tin plating on contact terminal areas and 0,1 microns min gold plating on switch terminal areas.
  - 5 - Contact forces :
    - max 0,70 N per contact at 0,2 from Card seating area.
    - min 0,40 N per contact at 0,2 from Card seating area.

- 6 - Card end travel switch NO activates when the sliding card is 0,9 mm from card stop.
- 7 - Another mechanical stop should be placed along the rear side of the connector to increase the strength of the card stop.
- 8 - Date Code area : Year (X) / Week (XX) and Day range in the week (X).
- 9 - For packaging on tape and reel, see document : cu 030287Y0011

MATIERE		TRAITEMENT				PROTECTION	
SAUF INDIQUE : TOL LINEAIRE ± 0,2 TOL ANGULAIRE ± 2 °		ETAT DE SURFACE Ra		DIMENSIONS CRITIQUES		1	
COTES DONNEES AVANT PROTECTION		DIMENSIONS SPC		4			
BAVURES ET ARETES VIVES SUPPRIMEES		LANGAGE		E			
DESSINE	PAILLE V.	DATE	31/08/2007	ANALYSE	N	TAB. FAM.	Y
VERIFIE	PINON G.	DATE	20/04/2009	PROVE	Y	Y	Y
APPROUVE	KUBAT L.	DATE	06/14/19	REPLACE	ET 689 003 FP revA		
PROJECTION 1ER DIEDRE		DESIGNATION		CCM04-5458LFT SPACER 3,5 mm ± 2 Pegs			
ECHELLE 5,000		NUMERO		1144MIY5458			
TAILLE FEUILLE		REV		B			
BP 359 - 39105 Dole - FRANCE -		A3 1 / 1		CU			

CE PLAN EST LA PROPRIETE DE C&K COMPONENTS SAS ET NE PEUT ETRE REPRODUIT OU COMMUNIQUE SANS SON AUTORISATION