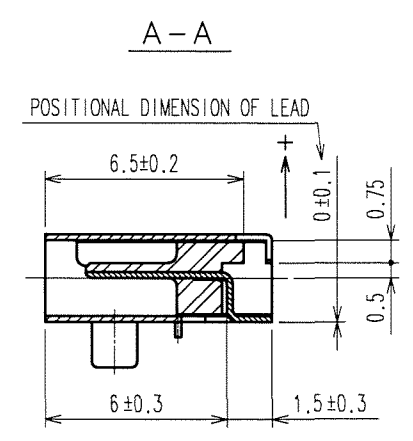
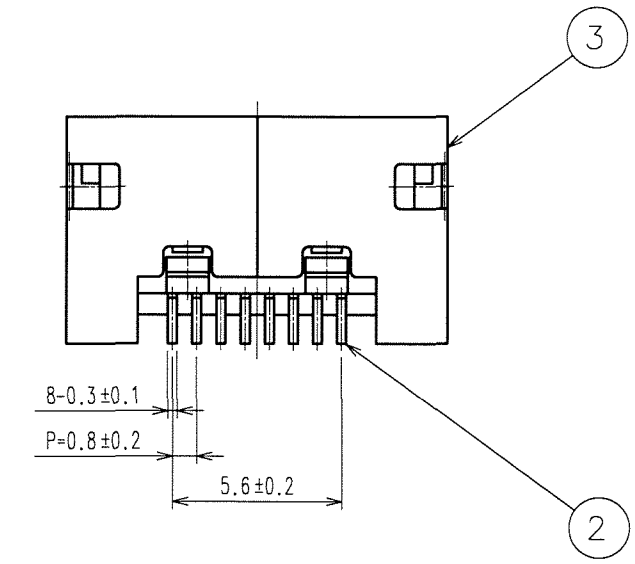
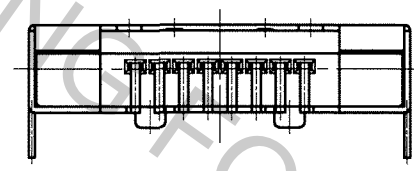
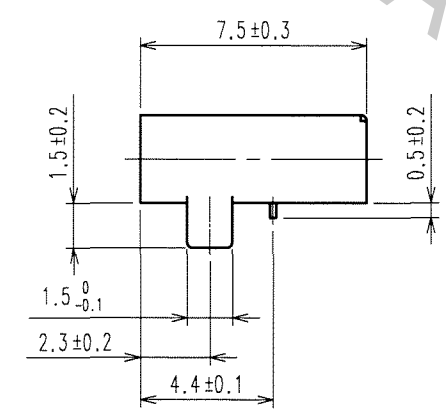
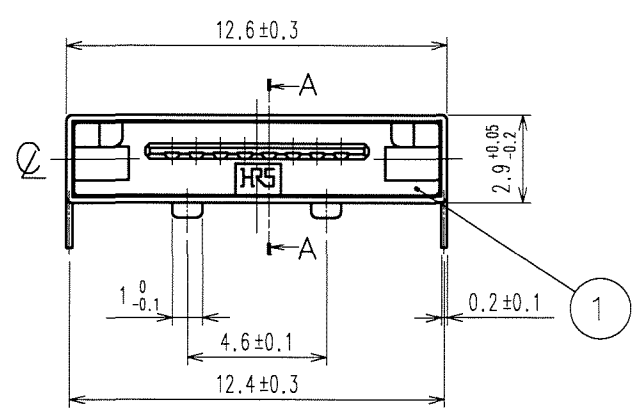
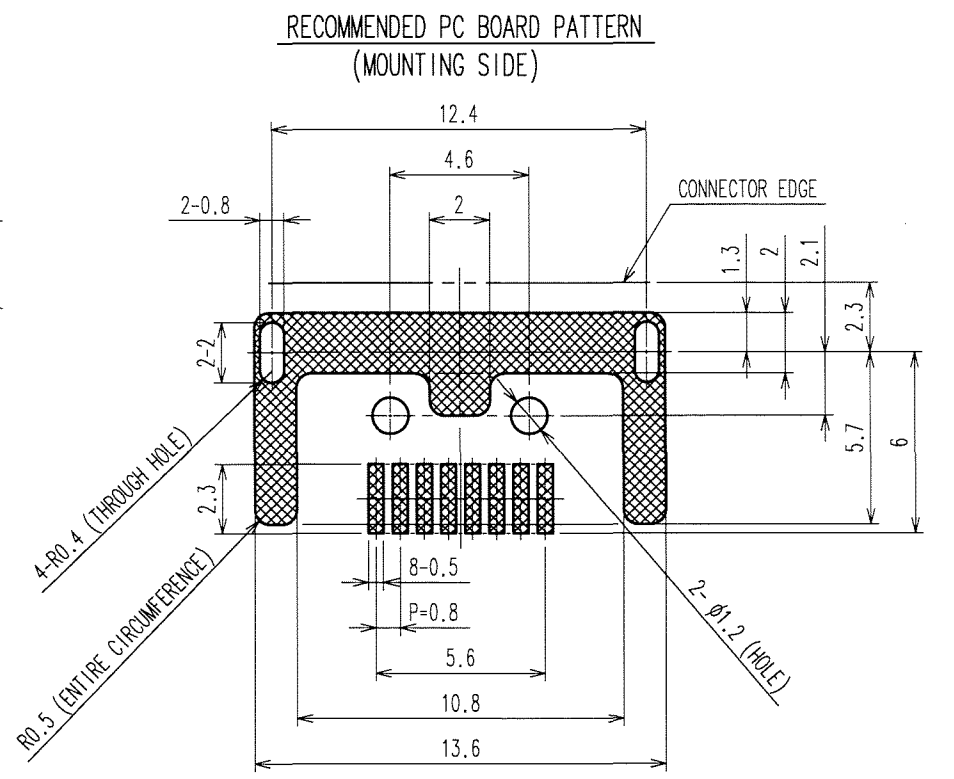
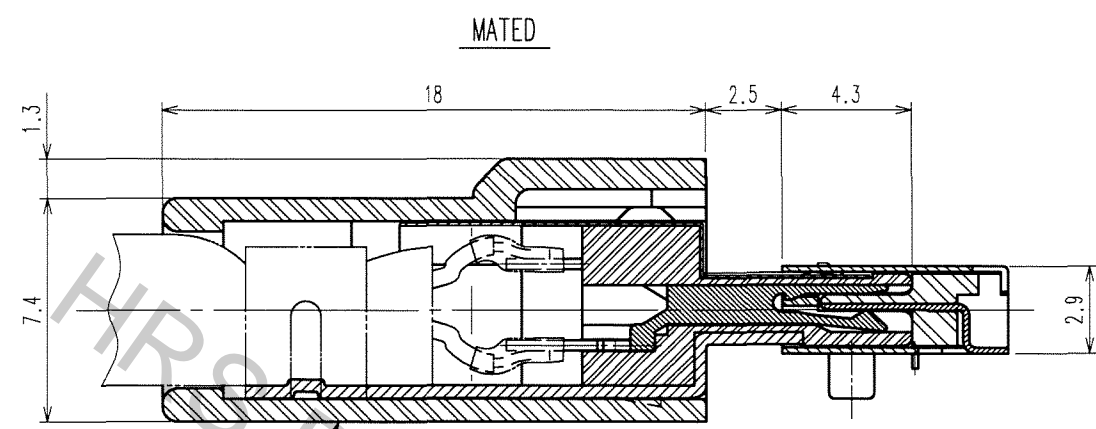
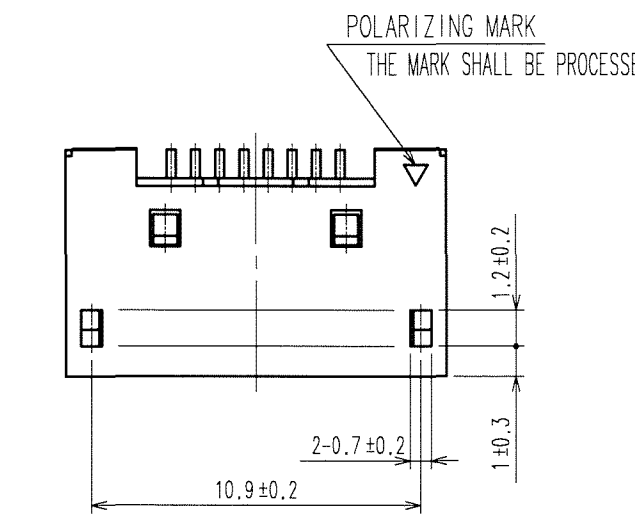


Apr.1.2017 Copyright 2017 HIROSE ELECTRIC CO., LTD. All Rights Reserved.

COUNT	DESCRIPTION OF REVISIONS	BY	CHKD	DATE	COUNT	DESCRIPTION OF REVISIONS	BY	CHKD	DATE
△					△				
△					△				
△					△				



NOTES
 1. LEAD CO-PLANARITY TO BE 0.1 MAX.
 2. ALL DIMENSIONS WITHOUT TOLERANCE ARE DIMENSIONS FOR REFERENCE.

3	STAINLESS STEEL	SELECTIVE AREA : GOLD 0.03μm MIN. UNDER PLATING : NICKEL 0.2μm MIN.
2	PHOSPHOR BRONZE	CONTACT AREA : GOLD 0.2μm MIN. LEAD AREA : GOLD 0.03μm MIN. UNDER PLATING : NICKEL 2μm MIN.

NO.	MATERIAL	FINISH, REMARKS	NO.	MATERIAL	FINISH, REMARKS
1	PPS	UL94V-0 (BLACK)			

CODE NO. (OLD)	DRAWN	DESIGNED	CHECKED	APPROVED	RELEASED
	<i>T. Ando</i>	<i>T. Ando</i>	<i>N. Mizoguchi</i>	<i>[Signature]</i>	
	'06.05.10	'06.05.10	'06.05.10	'06.5.10	

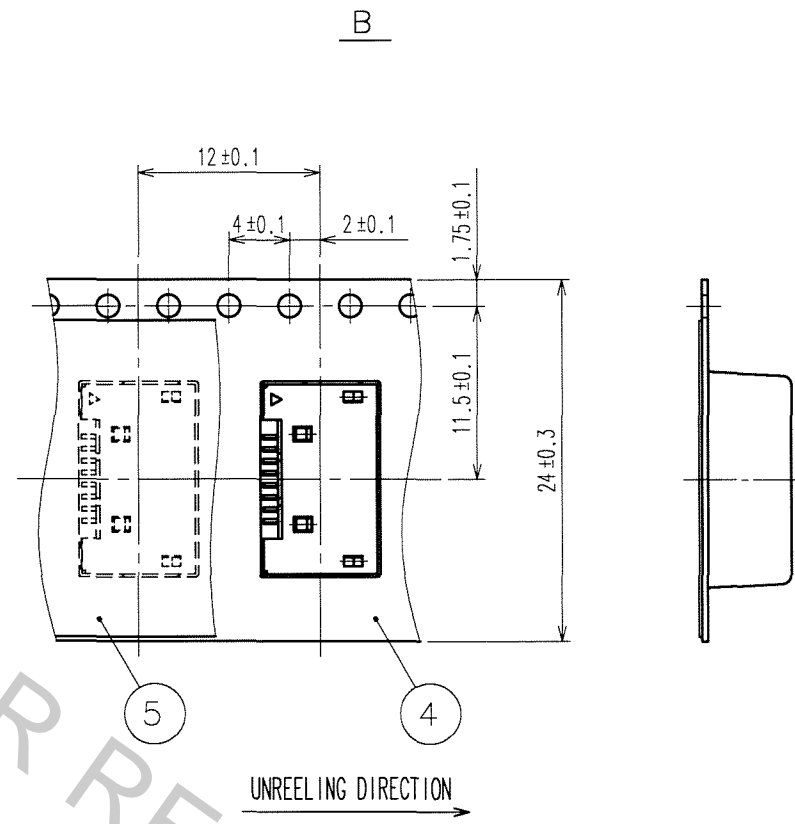
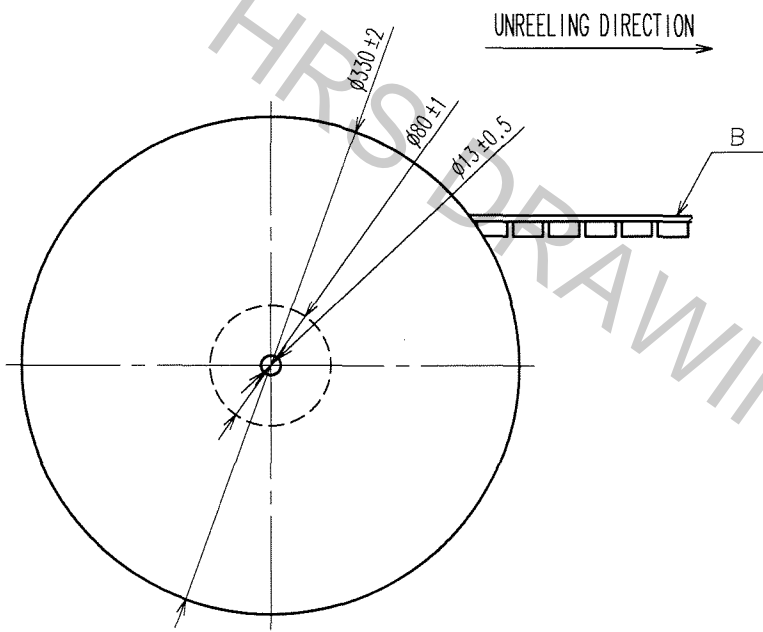
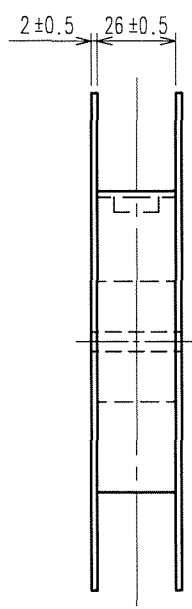
SCALE	DRAWING NO.	PART NO.
4 : 1	EDC3-046586-03	3260-8S3(56)
UNITS	CODE NO.	
mm	CL232-0010-5-56	

TO

Apr.1.2017 Copyright 2017 HIROSE ELECTRIC CO., LTD. All Rights Reserved.

COUNT	DESCRIPTION OF REVISIONS	BY	CHKD	DATE	COUNT	DESCRIPTION OF REVISIONS	BY	CHKD	DATE
△					△				
△					△				
△					△				

STYLE AND DIMENSION OF REEL (FREE)



4	PS	(EMBOSSED CARRIER TAPE)	5	PS	(TOP COVER TAPE)
NO.	MATERIAL	FINISH, REMARKS	NO.	MATERIAL	FINISH, REMARKS
CODE NO. (OLD)		DRAWN	DESIGNED	CHECKED	APPROVED
		<i>T. Ando</i>	<i>T. Ando</i>	<i>U. Miyazaki</i>	<i>[Signature]</i>
		'06.05.10	'06.05.10	'06.05.10	'06.5.10
DRAWING NO.		PART NO.			
EDC3-046586-03		3260-8S3(56)			
UNITS		CODE NO.			
mm		CL232-0010-5-56		2	

TO