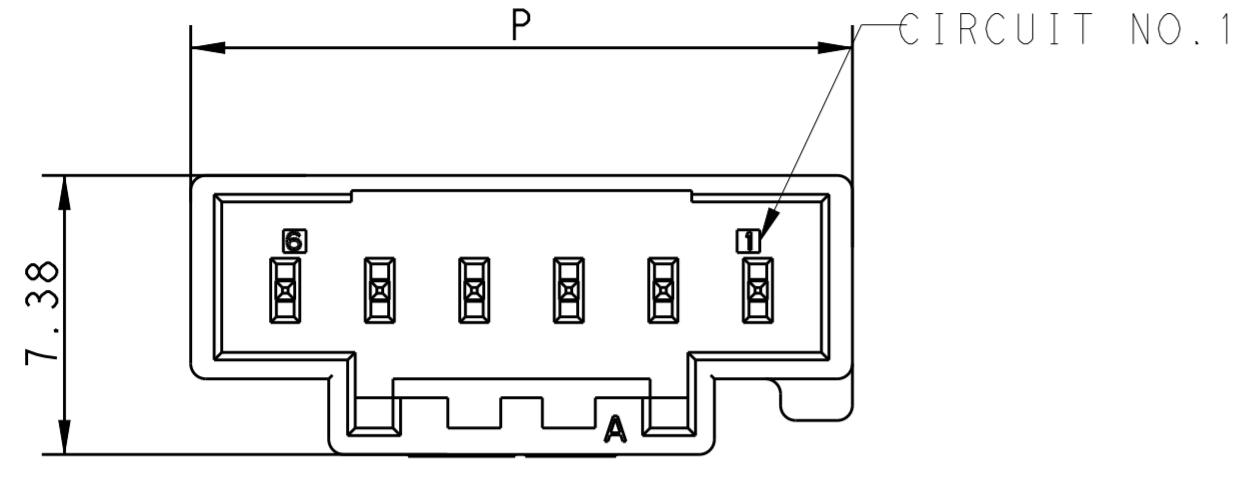


THIS DRAWING IS UNPUBLISHED. RELEASED FOR PUBLICATION
 © COPYRIGHT BY - TE CONNECTIVITY ALL RIGHTS RESERVED.

| LOC | | DIST | | REVISIONS | | | |
|-----|-----|---------------|-----------|-----------|------|--|--|
| P | LTR | DESCRIPTION | DATE | DWN | APVD | | |
| B | | ECR-14-002989 | 28FEB2014 | M.T | D.Z | | |
| B1 | | ECR-15-013442 | 15SEP2015 | A.Q | D.Z | | |

6Pos header housing assembly



- NOTES:
- 1.GENERAL TOLERANCE: ±0.3
 - 2.MATERIAL SEE TABLE 1
 - 3.MATING CONN. P/N:SEE TABLE(SHEET 3)
 - 4 PRELIMINARY-NOT FOR PRODUCTION

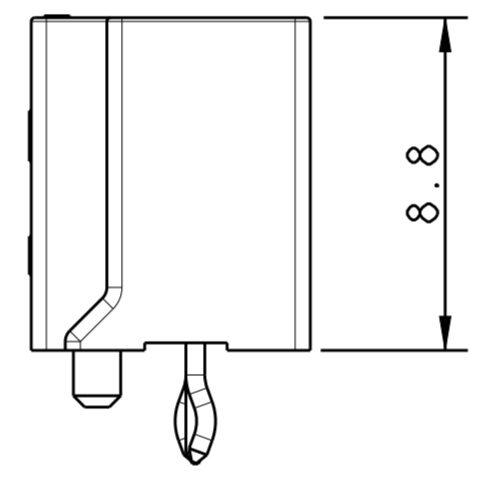
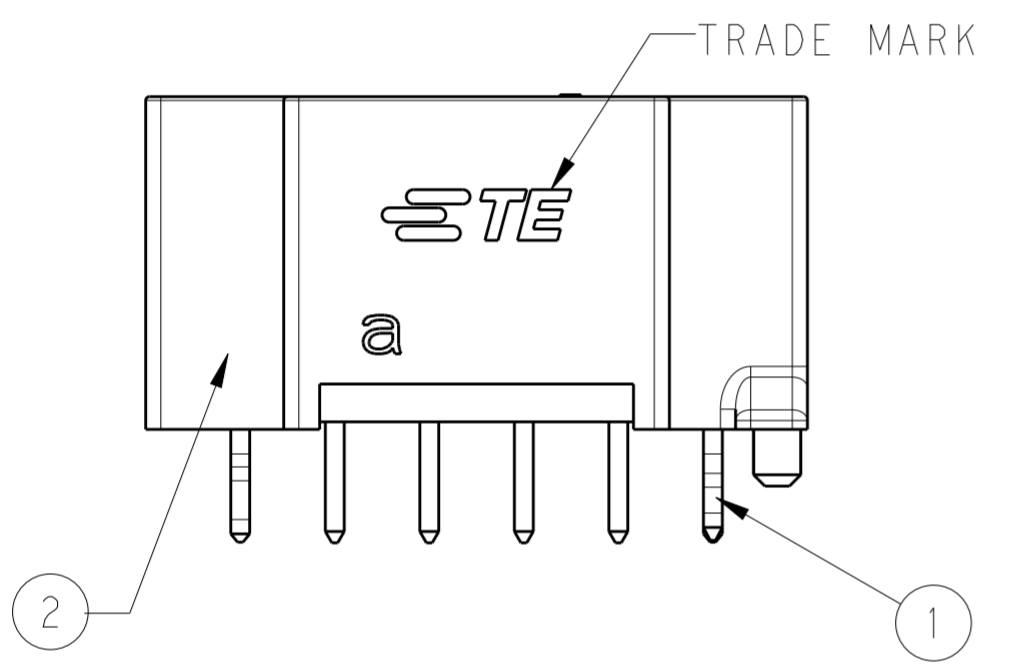
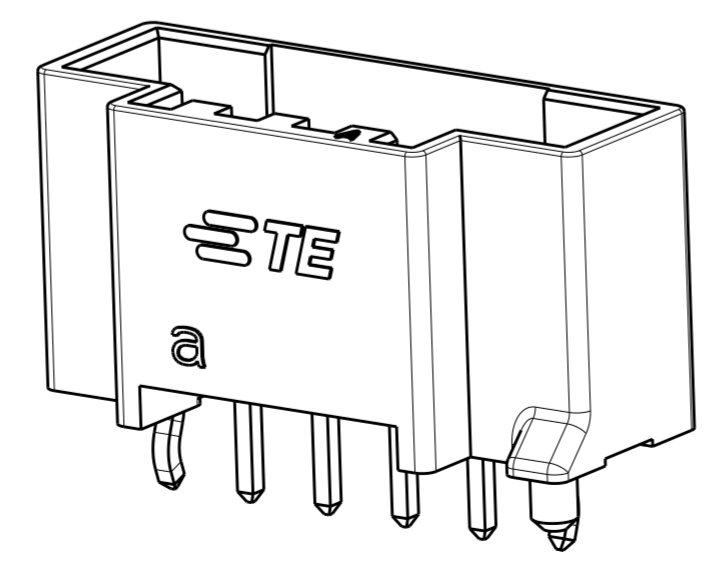
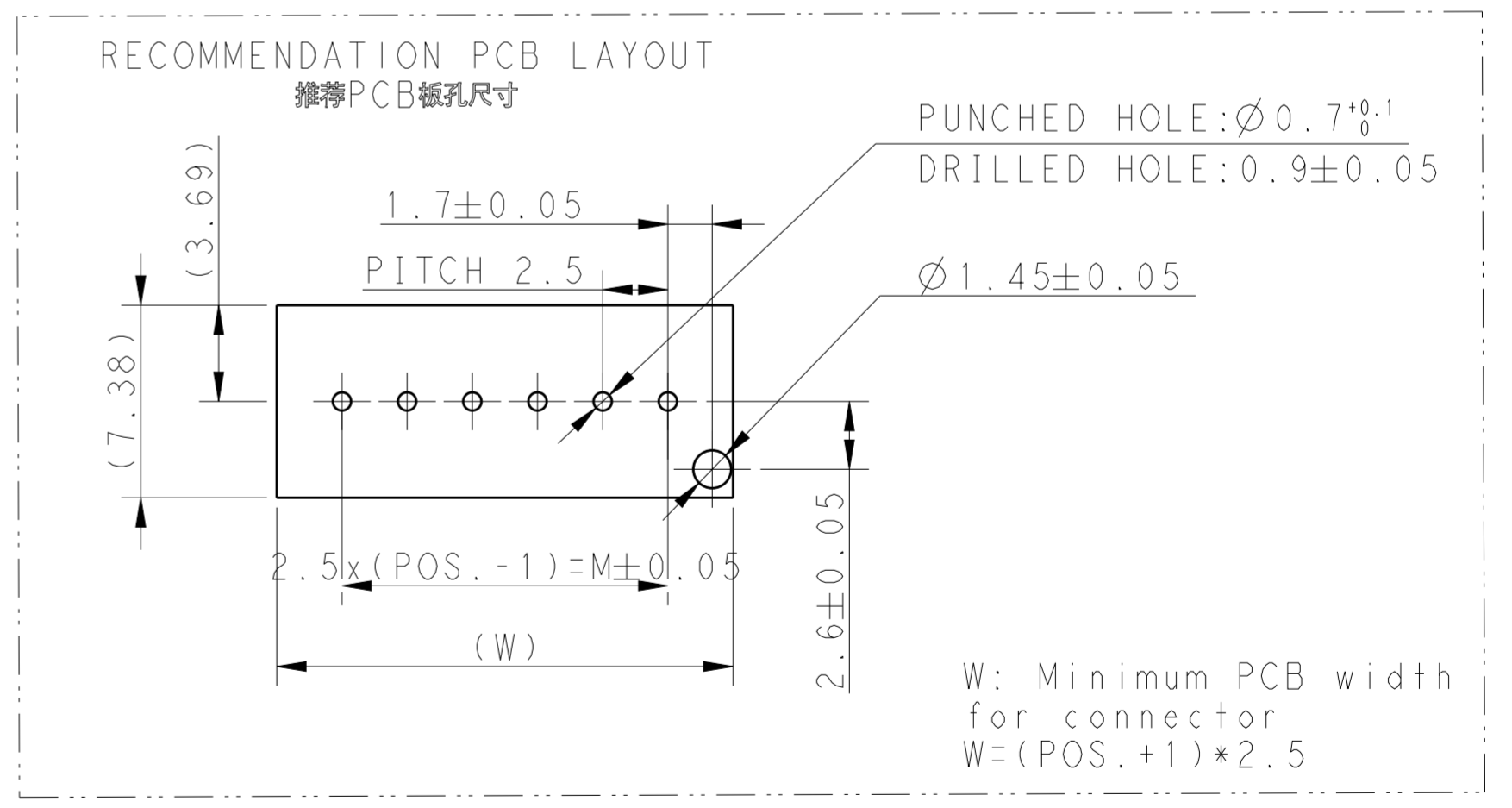
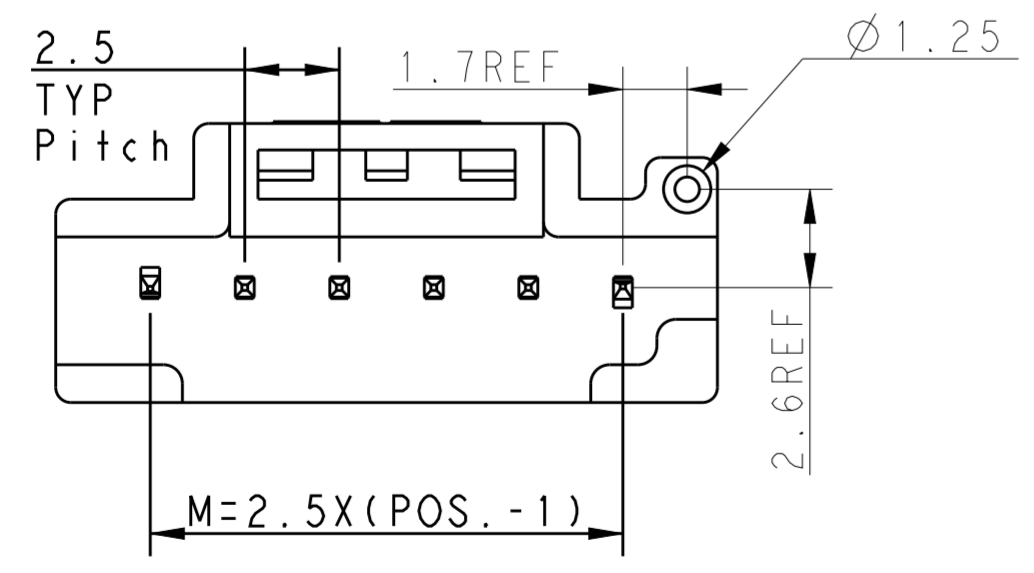


TABLE 1

| NO. | PART NAME | MATERIAL |
|-----|----------------|---------------------------|
| ① | POST CONTACT | COPPER ALLOY, TIN PLATING |
| ② | HEADER HOUSING | THERMO PLASTIC UL94 V-0 |



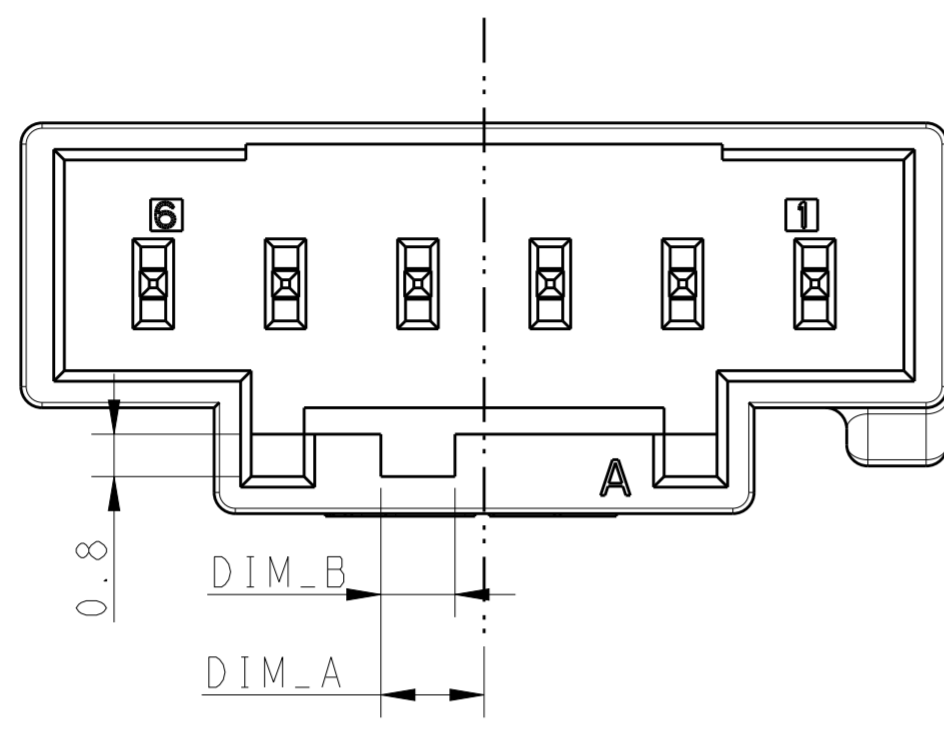
THIS DRAWING IS A CONTROLLED DOCUMENT.

| | | | |
|--|-------|--|-----------------|
| DWN | B.P | 17JUN2013 | TE Connectivity |
| CHK | H.J.Z | 17JUN2013 | |
| APVD | Y.H.M | 17JUN2013 | |
| NAME HEADER ASSY, PITCH 2.5 WITH BOSS D1.25 NEXT GENERATION GRACE INERTIA CONNECTOR | | | |
| DIMENSIONS: mm | | TOLERANCES UNLESS OTHERWISE SPECIFIED: 0 PLC ± 0.3 1 PLC ± 0.3 2 PLC ± 0.3 3 PLC ± 0.013 4 PLC ± 0.0001 ANGLES ± - | |
| MATERIAL - | | FINISH - | |
| PRODUCT SPEC 108-106077 | | APPLICATION SPEC - | |
| WEIGHT - | | SIZE A2 | |
| SCALE Customer Drawing | | CAGE CODE - | |
| SHEET 1 OF 3 | | DRAWING NO. 2232501 | |
| REV B1 | | RESTRICTED TO - | |

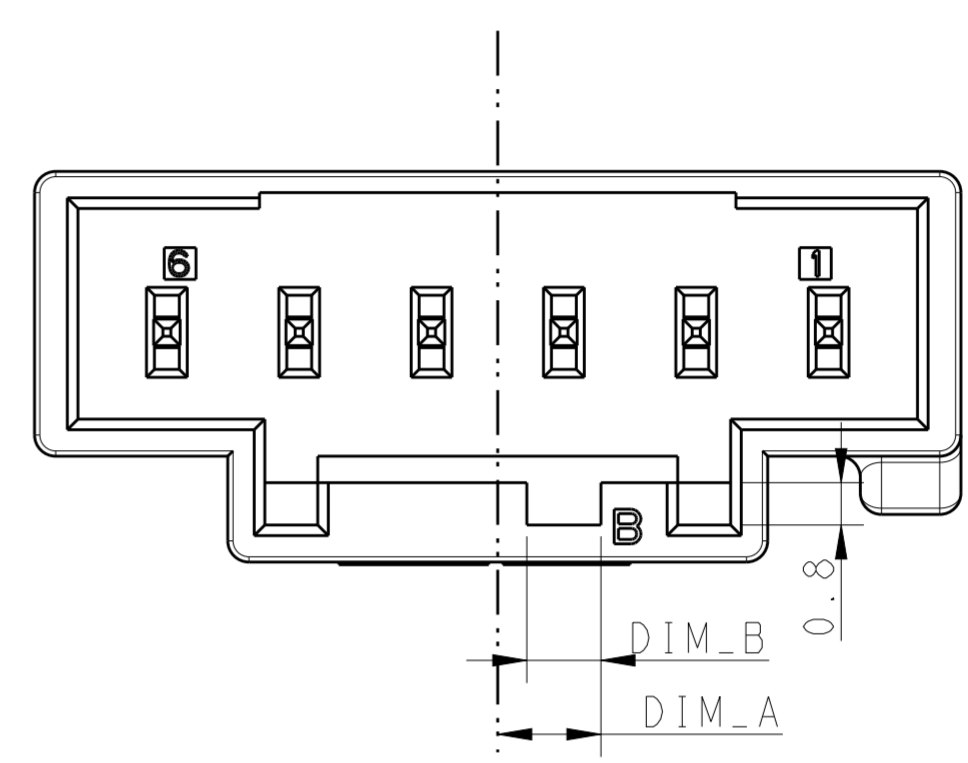
THIS DRAWING IS UNPUBLISHED. RELEASED FOR PUBLICATION
 © COPYRIGHT BY - TE CONNECTIVITY ALL RIGHTS RESERVED.

| LOC | DIST | P | LTR | REVISIONS | DESCRIPTION | DATE | DWN | APVD |
|-----|------|---|-----|-----------|-------------|------|-----|------|
| - | - | - | - | - | SEE SHEET 1 | - | - | - |

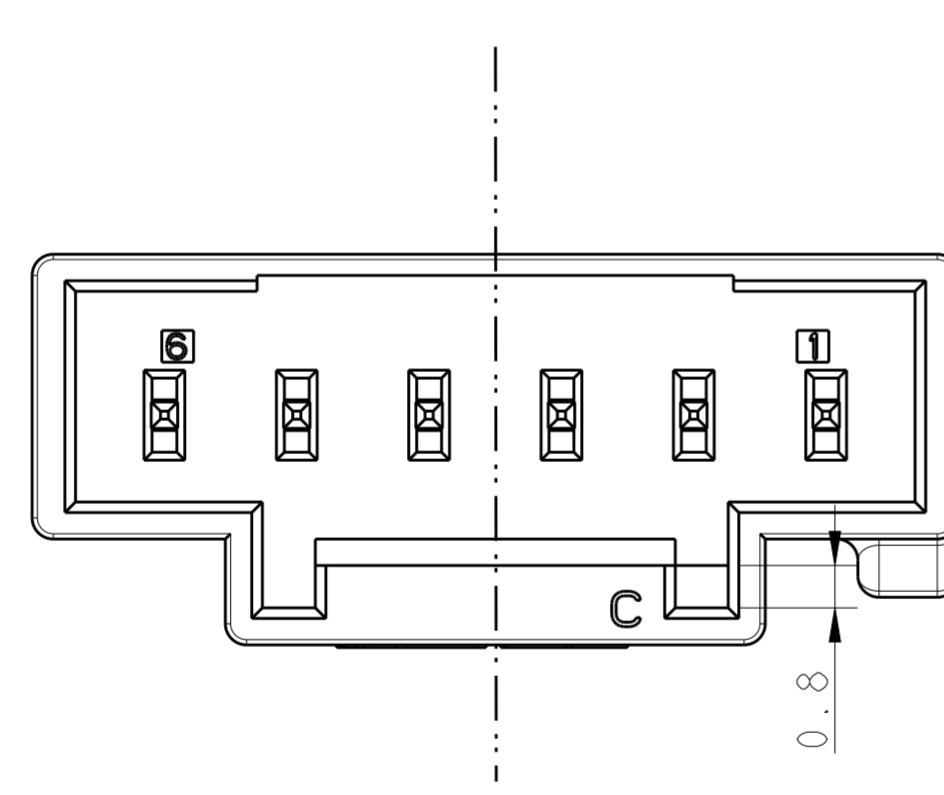
KEYING - A



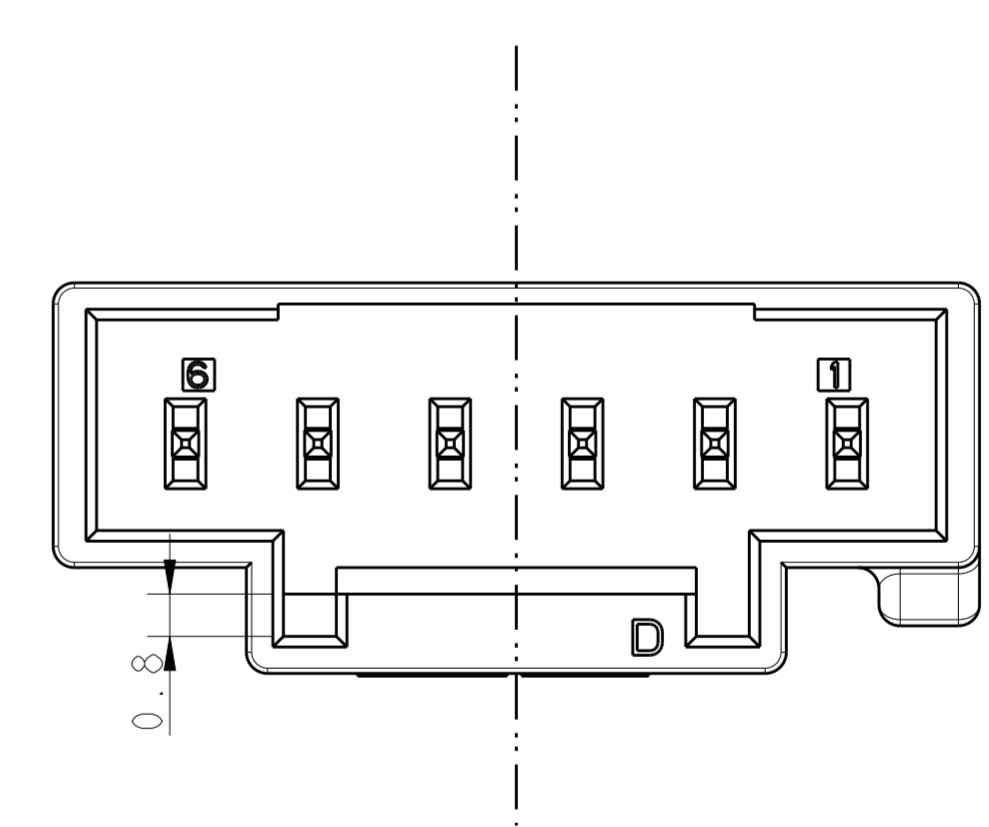
KEYING - B



KEYING - C



KEYING - D



DIMENSION MATRIX FOR KEYING






| | | |
|-------|-------|------|
| 1.4 | 2.4 | 8P |
| 1.4 | 2.4 | 7P |
| 1.4 | 1.95 | 6P |
| 1.4 | 1.95 | 5P |
| 1.4 | 1.6 | 4P |
| 1.4 | 1.3 | 3P |
| 1.25 | 1.05 | 2P |
| DIM_B | DIM_A | POS. |


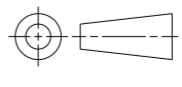
THIS DRAWING IS A CONTROLLED DOCUMENT.

| | | | | |
|------------------|------------|-----------|---------------------|---|
| DWN | B.P | 17JUN2013 | TE Connectivity | NAME HEADER ASSY, PITCH 2.5 WITH BOSS D1.25 NEXT GENERATION GRACE INERTIA CONNETOR |
| CHK | H.J.Z | 17JUN2013 | | |
| APVD | Y.H.M | 17JUN2013 | | |
| PRODUCT SPEC | 108-106077 | | | |
| APPLICATION SPEC | - | | SIZE | A2 |
| MATERIAL | - | | CAGE CODE | - |
| WEIGHT | - | | DRAWING NO | G-2232501 |
| Customer Drawing | | | RESTRICTED TO | - |
| | | | SCALE | / |
| | | | SHEET | 2 OF 3 |
| | | | REV | B1 |

THIS DRAWING IS UNPUBLISHED. RELEASED FOR PUBLICATION
 © COPYRIGHT BY - TE CONNECTIVITY ALL RIGHTS RESERVED.

| LOC | DIST | REVISIONS | | | | | |
|-----|------|-----------|-----|-------------|------|-----|------|
| | | P | LTR | DESCRIPTION | DATE | DWN | APVD |
| - | - | - | - | SEE SHEET 1 | - | - | - |
| | | | | | | | |
| | | | | | | | |

| | | | | | | |
|---|---------|------|-------------|---------|--------|--------------|
| 8-1971793-5 | 22.5 | 17.5 | 8 | BLACK | D | 8-2232501-5 |
| 8-1971793-4 | | | | YELLOW | D | 8-2232501-4 |
| 8-1971793-3 | | | | RED | C | 8-2232501-3 |
| 8-1971793-2 | | | | BLUE | B | 8-2232501-2 |
| 8-1971793-1 | | | | NATURAL | A | 8-2232501-1 |
| 7-1971793-5 | 20.0 | 15.0 | 7 | BLACK | D | 7-2232501-5 |
| 7-1971793-4 | | | | YELLOW | D | 7-2232501-4 |
| 7-1971793-3 | | | | RED | C | 7-2232501-3 |
| 7-1971793-2 | | | | BLUE | B | 7-2232501-2 |
| 7-1971793-1 | | | | NATURAL | A | 7-2232501-1 |
| 6-1971793-5 | 17.5 | 12.5 | 6 | BLACK | D | 6-2232501-5 |
| 6-1971793-4 | | | | YELLOW | D | 6-2232501-4 |
| 6-1971793-3 | | | | RED | C | 6-2232501-3 |
| 6-1971793-2 | | | | BLUE | B | 6-2232501-2 |
| 6-1971793-1 | | | | NATURAL | A | 6-2232501-1 |
| 5-1971793-5 | 15.0 | 10.0 | 5 | BLACK | D | 5-2232501-5 |
| 5-1971793-4 | | | | YELLOW | D | 5-2232501-4 |
| 5-1971793-3 | | | | RED | C | 5-2232501-3 |
| 5-1971793-2 | | | | BLUE | B | 5-2232501-2 |
| 5-1971793-1 | | | | NATURAL | A | 5-2232501-1 |
| 4-1971793-5 | 12.5 | 7.5 | 4 | BLACK | D | 4-2232501-5 |
| 4-1971793-4 | | | | YELLOW | D | 4-2232501-4 |
| 4-1971793-3 | | | | RED | C | 4-2232501-3 |
| 4-1971793-2 | | | | BLUE | B | 4-2232501-2 |
| 4-1971793-1 | | | | NATURAL | A | 4-2232501-1 |
| 3-2232844-5 | 10.0 | 5 | 3 | BLACK | D | 3-2232501-5 |
| 3-1971793-5 | | | | YELLOW | D | 3-2232501-4 |
| 3-2232844-4 | | | | RED | C | 3-2232501-3 |
| 3-1971793-4 | | | | BLUE | B | 3-2232501-2 |
| 3-2232844-3 | | | | NATURAL | A | 3-2232501-1 |
| 3-1971793-3 | | | | BLACK | D | 3-2232501-5 |
| 3-2232844-2 | | | | YELLOW | D | 3-2232501-4 |
| 3-1971793-2 | | | | RED | C | 3-2232501-3 |
| 3-2232844-1 | | | | BLUE | B | 3-2232501-2 |
| 3-1971793-1 | NATURAL | A | 3-2232501-1 | | | |
| 2-2232844-5  | 7.5 | 2.5 | 2 | BLACK | D | 2-2232501-5 |
| 2-2232844-4  | | | | YELLOW | D | 2-2232501-4 |
| 2-2232844-3  | | | | RED | C | 2-2232501-3 |
| 2-2232844-2  | | | | BLUE | B | 2-2232501-2 |
| 2-2232844-1  | | | | NATURAL | A | 2-2232501-1 |
| MATING CONN P/N | P | M | Pos. | COLOR | KEYING | HEAD ASS P/N |

| | | | | | | |
|---|--|------------------|------------|-----------|---|--|
| THIS DRAWING IS A CONTROLLED DOCUMENT. | | DWN | B.P. | 17JUN2013 |  TE Connectivity | |
| DIMENSIONS: mm | | CHK | H.J.Z | 17JUN2013 | | |
|  | | APVD | Y.H.M | 17JUN2013 | | |
| TOLERANCES UNLESS OTHERWISE SPECIFIED: 0 PLC ± 0.3 1 PLC ± 0.3 2 PLC ± 0.3 3 PLC ± 0.013 4 PLC ± 0.001 ANGLES ± - FINISH ± - | | PRODUCT SPEC | NAME | | | HEADER ASSY, PITCH 2.5 WITH BOSS D1.25 |
| MATERIAL | | APPLICATION SPEC | 108-106077 | | NEXT GENERATION | |
| | | WEIGHT | - | | GRACE INERTIA CONNETOR | |
| | | SCALE | A2 | CAGE CODE | DRAWING NO | RESTRICTED TO |
| | | Customer Drawing | | G-2232501 | | |
| | | SCALE | / | SHEET | 3 OF 3 | REV B1 |