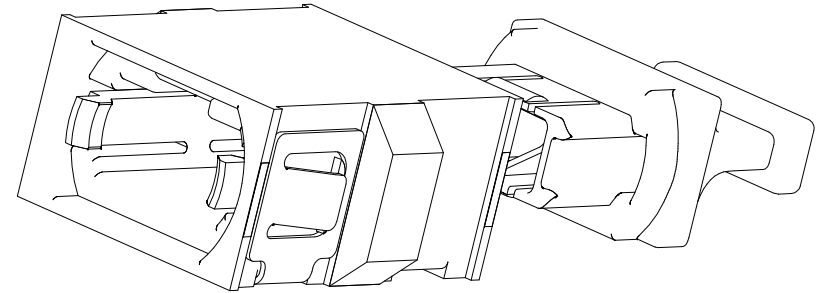
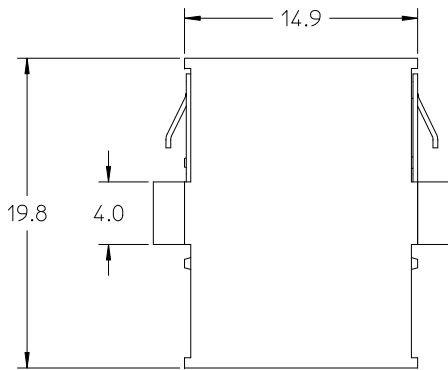
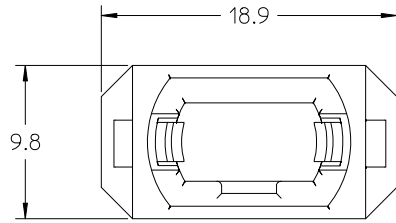
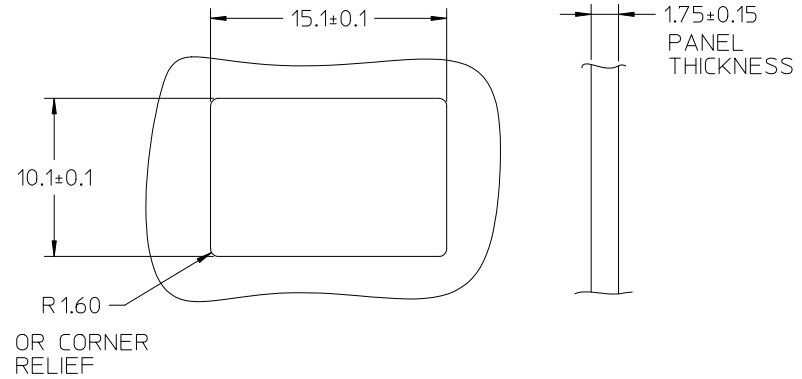


KEY ORIENTATION OPPOSED



TWO DUST CAPS ARE PROVIDED



RECOMMENDED MOUNTING CUTOUT

NOTE:

MATERIALS:

- ADAPTER BODY - POLYETHERIMIDE, BLACK
- FLAMMABILITY - UL94 V-0
- SPRING CLIP - STAINLESS STEEL
- DUST PLUG - POLYCARBONATE:
- SURFACE RESISTIVITY - <1E12 ohm/sq
- TML - <1%
- FLAMMABILITY - UL94 V-0

ENTER DESCRIPTION EC NO: MF2012-0454 DRWN: YBEDNYAK 2012/03/20 CHKD: APPR: IGUMIN 2012/03/23 REV	QUALITY SYMBOLS	GENERAL TOLERANCES (UNLESS SPECIFIED)	DIMENSION STYLE	SCALE	DESIGN UNITS	THIRD ANGLE PROJECTION
	▼=0 ▽=0	mm	MM ONLY	---	INCH	MTP ADAPTER, REDUCED FLANGE  MOLEX INCORPORATED  SD-106181-0007
		INCH	DRAWN BY	DATE	TITLE	
		4 PLACES ± --- ± ---	KP	2003/07/10		
3 PLACES ± --- ± ---	CHECKED BY	DATE				
2 PLACES ± --- ± ---	APPROVED BY	DATE				
1 PLACE ± --- ± ---	ILG	2003/07/10				
	ANGULAR ±1/2°	MATERIAL NO.	1061810007	DOCUMENT NO.		SHEET NO.
	DRAFT WHERE APPLICABLE MUST REMAIN WITHIN DIMENSIONS	SIZE	B			1 OF 1
THIS DRAWING CONTAINS INFORMATION THAT IS PROPRIETARY TO MOLEX INCORPORATED AND SHOULD NOT BE USED WITHOUT WRITTEN PERMISSION						