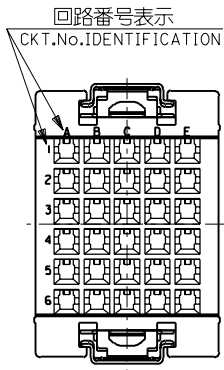
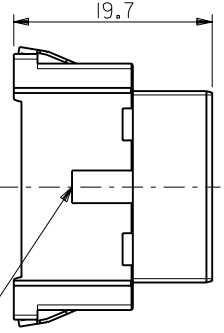


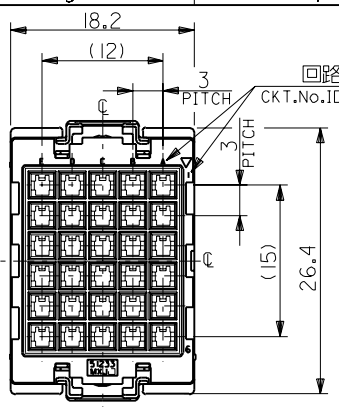
DWG. NO. SD-51233-009



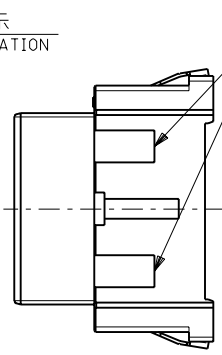
電線挿入側
WIRE SIDE



シェル挿入方向キー
POLARIZATIONS KEY FOR SHELL



嵌合側
MATING SIDE



シェル挿入方向キー
POLARIZATIONS KEY FOR SHELL

注記
NOTES

- 材質
MATERIAL
①ハウジング：ガラス入りPBT樹脂
HOUSING : PBT G.F.
UL94V-0 色：黒
UL94V-0 COLOR : BLACK
②スプリング：ステンレス鋼 t0.3
SPRING : STAINLESS STEEL t0.3
- 適用端子：56116-8*90 , 56117-8*90
56118-8*90 , 56119-8*90
APPLICABLE CRIMP PIN : 56116-8*90 , 56117-8*90
56118-8*90 , 56119-8*90
- 適用リセプタクル シェル：56377-30**
APPLICABLE RECEPTACLE SHELL : 56377-30**
- 嵌合相手：51239-300*
MEET WITH : 51239-300*

<誤嵌合防止キー（極性）タイプ> <POLARITY KEY TYPE>

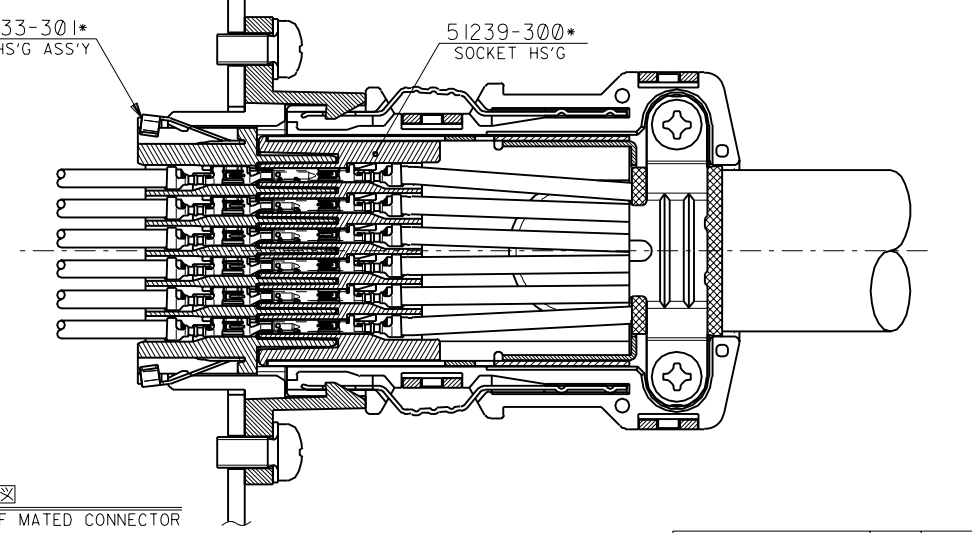
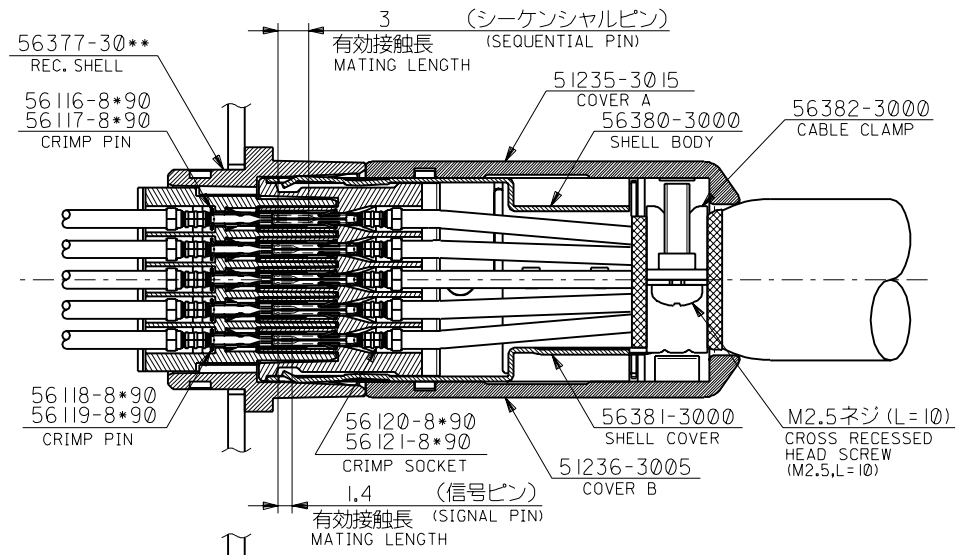
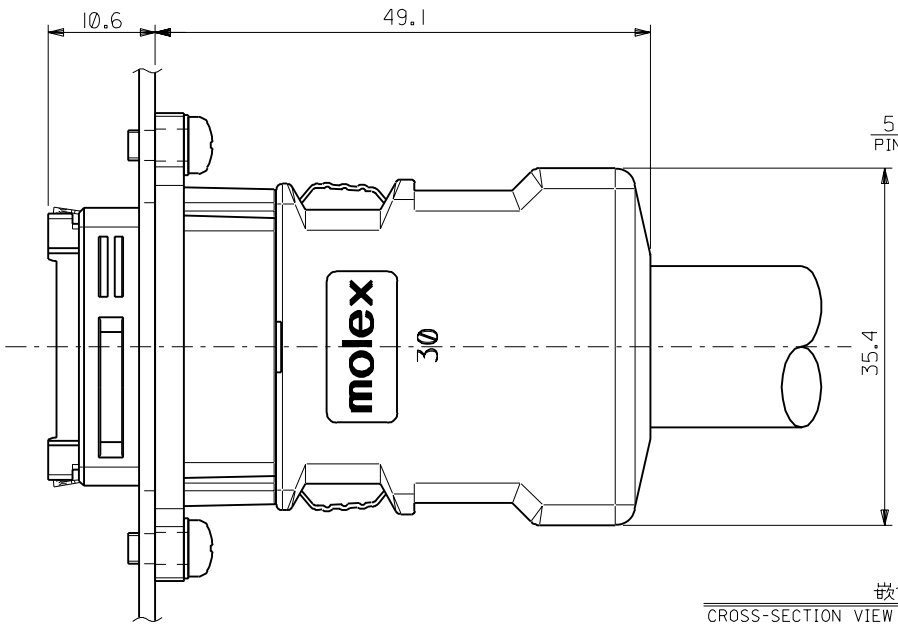
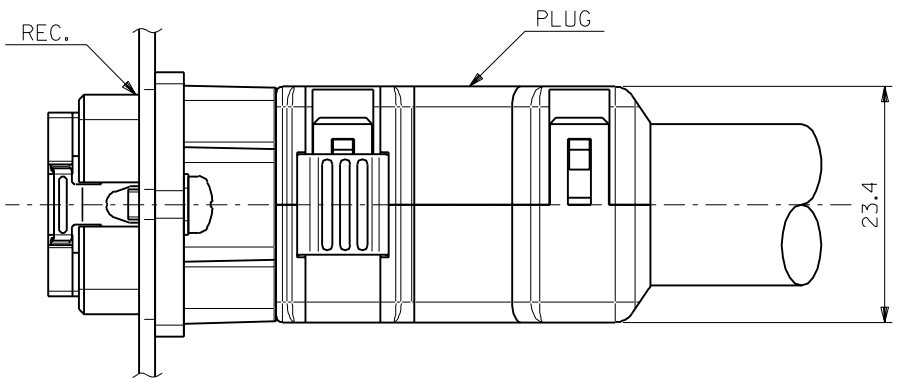
51233-3011	51233-3012	51233-3013	51233-3014	51233-3015
STANDARD TYPE	A TYPE	B TYPE	C TYPE	D TYPE

B-3	D	51233-3015	51233-***1*	30
D-4	C	51233-3014		
C-4	B	51233-3013		
C-3	A	51233-3012		
—	STANDARD	51233-3011		
POLARITY POSITION (CIRCUIT No.)	POLARITY TYPE	MATERIAL No.	MODEL No.	CIRCUIT

DO NOT SCALE DRAWING

EC NO. DRWN: CHK: APPR:	EC NO. DRWN: CHK: APPR:	EC NO. DRWN: CHK: APPR:	REVISED 01/10/04 EC NO. J2002-0786 DRWN: S.AKIYAMA CHK: J.MIYAZAWA APPR: YO.ITO	RELEASED 01/02/16 EC NO. JD2001-1040 DRWN: S.AKIYAMA CHK: J.MIYAZAWA APPR: H.IKESUGI	MATERIAL 材料 注記参照 SEE NOTES	GENERAL TOLERANCES: (UNLESS SPECIFIED) 一般公差	SCALE 2-1 DESIGN UNITS mm INCH	THIRD ANGLE PROJECTION	DIMENSIONS: mm INCH	SHT REV
					FINISH 仕上げ	10 UNDER 未満 ±0.2	DESIGN BY & DATE S. Akiyama 1/01/25	TITLE: COMPACT ROBOT CONN. (CRC) REC. PIN HS'G ASS'Y		
					WIRE RANGE 適用線径範囲	10 OVER 30 UNDER 未満 ±0.25	CHECKED BY & DATE J. Miyazawa / Y. Ito	MATERIAL NO. SEE CHART		
					INS. RANGE 被覆外径	30 OVER 以上 ±0.3	APPROVED BY & DATE (Signature)	DRAWING NO. SD-51233-009		
						ANGLE 角度 ±3°	CAD FILE NAME 51233009.S01	SHEET NO. 1 OF 4		
THIS DRAWING CONTAINS INFORMATION THAT IS PROPRIETARY TO MOLEX INCORPORATED AND SHOULD NOT BE USED WITHOUT WRITTEN PERMISSION.										SIZE B

DWG. NO. SD-51233-009

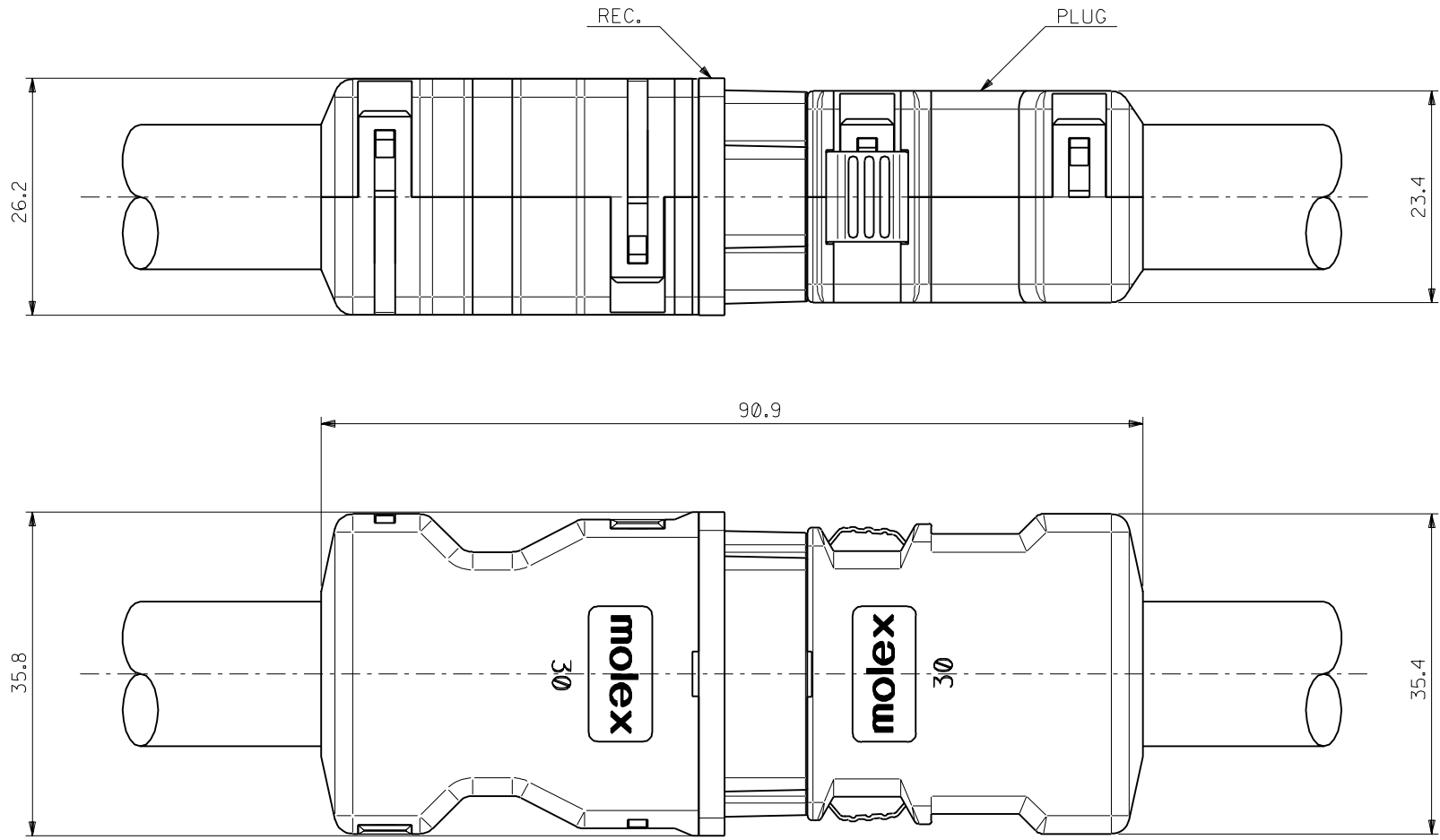


嵌合図
CROSS-SECTION VIEW OF MATED CONNECTOR

DO NOT SCALE DRAWING

EC NO. DRWN: CH'K: APPR:		EC NO. DRWN: CH'K: APPR:		EC NO. DRWN: CH'K: APPR:		REVISIONS		MATERIAL		GENERAL TOLERANCES:		SCALE		DESIGN UNITS		THIRD ANGLE PROJECTION		DIMENSIONS:		SHT		REV			
						REVISED 01/10/04		材料		UNLESS SPECIFIED		2-1		mm □ INCH		◎ □		mm □ INCH □ mm □ mm ONLY		REVISIONS		REVISIONS			
						EC NO. J2002-0786		注記参照		10 UNDER		DRAWN BY & DATE		S. Adiyama 1/01/25		TITLE:		COMPACT ROBOT CONN. (CRC)		2		4			
						DRWN: S. AKIYAMA		SEE NOTES		10 OVER 30 UNDER		CHECKED BY & DATE		J. Mizuno / Y. Oe		MOLEX		MOLEX INCORPORATED		2		OF 4			
						CH'K: J. MIYAZAWA		#		30 OVER		APPROVED BY & DATE		[Signature]		MATERIAL NO.		SD-51233-009		2		OF 4			
						APP'R: YO. ITO		#		ANGLE		CAD FILE NAME		51233009.S02		SEE CHART		SD-51233-009		2		OF 4			
						RELEASED 01/02/16		#		3°		MATERIAL NO.													
						EC NO. JD2001-1040						THIS DRAWING CONTAINS INFORMATION THAT IS PROPRIETARY TO MOLEX INCORPORATED AND SHOULD NOT BE USED WITHOUT WRITTEN PERMISSION.										SIZE B			
						DRWN: S. AKIYAMA																		EN-02J(097) MXJ-54	
						CH'K: J. MIYAZAWA																			
						APP'R: H. IKESUGI																			

51233009.S02



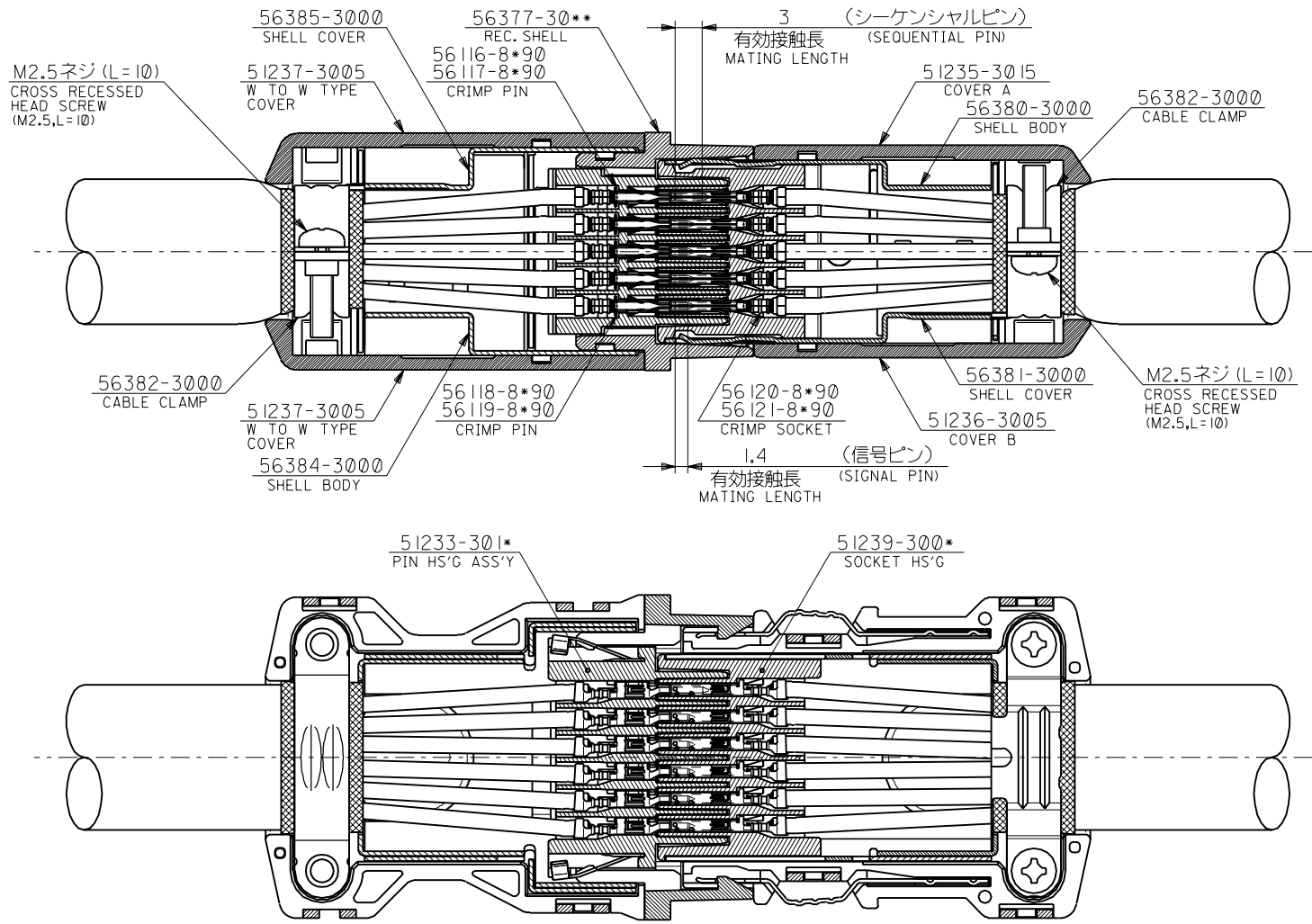
嵌合図 (中継タイプ)
CROSS-SECTION VIEW OF MATED CONNECTOR
(WIRE TO WIRE TYPE)

DO NOT SCALE DRAWING

EC NO. DRWN: CHK: APPR:	EC NO. DRWN: CHK: APPR:	EC NO. DRWN: CHK: APPR:	REVISED 01/10/04	MATERIAL 材料	GENERAL TOLERANCES: (UNLESS SPECIFIED) 一般公差	SCALE 2-1	DESIGN UNITS <input checked="" type="checkbox"/> mm <input type="checkbox"/> INCH	THIRD ANGLE PROJECTION <input type="checkbox"/> mm <input checked="" type="checkbox"/> INCH	DIMENSIONS: <input type="checkbox"/> mm <input type="checkbox"/> INCH <input checked="" type="checkbox"/> mm ONLY	SHT	REV		
			EC NO. J2002-0786 DRWN: S.AKIYAMA CHK: J.MIYAZAWA APPR: YO.ITO									FINISH 仕上げ	10 UNDER 未満
A	Ø	Ø	RELEASED 01/02/16	DESCRIPTION	WIRE RANGE 適用電線範囲	10 OVER 以上	30 UNDER 未満	±0.25	CHECKED BY & DATE <i>J. Miyazawa / Y. Ito</i>	APPROVED BY & DATE <i>Yo. Ito</i>	MATERIAL NO. SEE CHART	DRAWING NO. SD-51233-009	SHEET NO. 3 OF 4
			EC NO. JD2001-1040 DRWN: S.AKIYAMA CHK: J.MIYAZAWA APPR: H.IKESUGI										
				注記参照 SEE NOTES		ANGLE 角度		±3°	THIS DRAWING CONTAINS INFORMATION THAT IS PROPRIETARY TO MOLEX INCORPORATED AND SHOULD NOT BE USED WITHOUT WRITTEN PERMISSION.			EN-02J(097) MXJ-54	

51233009:303

DWG. NO. SD-51233-009



嵌合図 (中継タイプ)
CROSS-SECTION VIEW OF MATED CONNECTOR
(WIRE TO WIRE TYPE)

DO NOT SCALE DRAWING

EC NO. DRWN: CHK: APPR:	EC NO. DRWN: CHK: APPR:	EC NO. DRWN: CHK: APPR:	REVISED 01/10/04	MATERIAL 材料	GENERAL TOLERANCES: (UNLESS SPECIFIED) 一般公差	SCALE 2-1	DESIGN UNITS <input checked="" type="checkbox"/> mm <input type="checkbox"/> INCH	THIRD ANGLE PROJECTION	DIMENSIONS: <input type="checkbox"/> mm <input type="checkbox"/> INCH <input checked="" type="checkbox"/> mm ONLY	SHT REVISE ON CAD ONLY	REV
			EC NO. J2002-0786 DRWN: S. AKIYAMA CHK: J. MIYAZAWA APPR: Y. ITO								
A	0	0	RELEASED 01/02/16	FINISH 仕上げ	10 OVER 以上	30 UNDER 未満	±0.25	CHECKED BY & DATE J. Miyazawa / Y. Ito	MATERIAL NO. SEE CHART	DRAWING NO. SD-51233-009	SHEET NO. 4 OF 4
			EC NO. JD2001-1040 DRWN: S. AKIYAMA CHK: J. MIYAZAWA APPR: H. IKESUGI								
				WIRE RANGE 適用電線範囲	—	ANGLE 角度	±3°	CAD FILE NAME 51233009.S04			
				INS. RANGE 被覆外径	—	THIS DRAWING CONTAINS INFORMATION THAT IS PROPRIETARY TO MOLEX INCORPORATED AND SHOULD NOT BE USED WITHOUT WRITTEN PERMISSION.					SIZE B