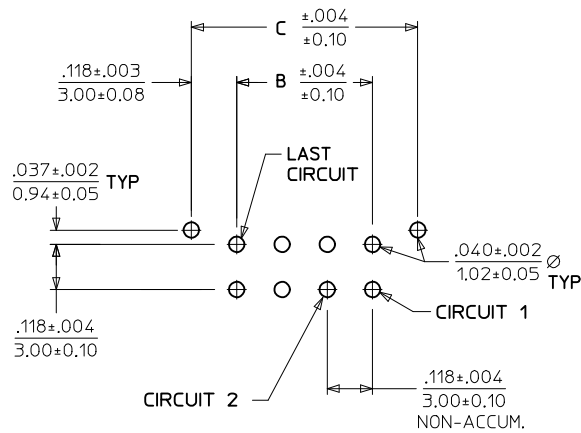
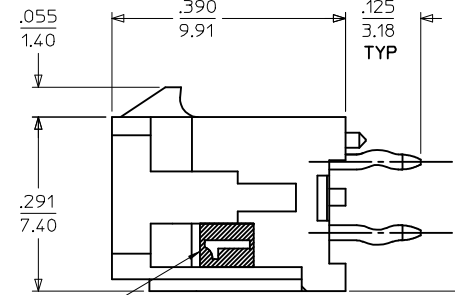
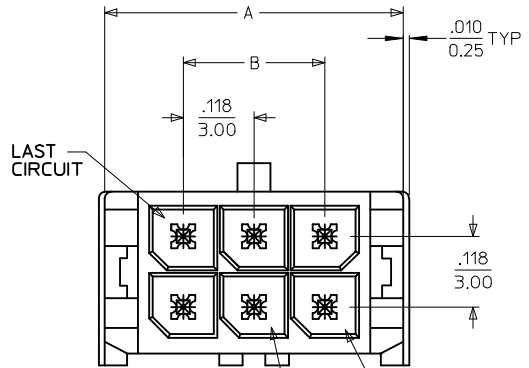
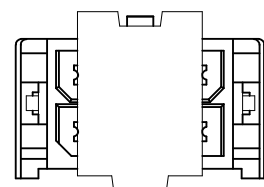
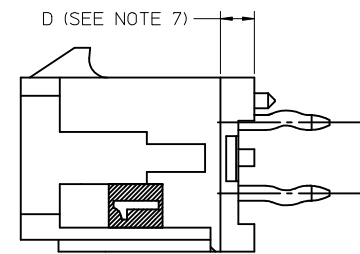


NOTE : (2) POLARIZATION PEGS ARE SHOWN, HOWEVER, ASSEMBLIES MAY BE MANUFACTURED WITH (1) PEG ONLY.



PCB LAYOUT: COMPONENT SIDE  
RECOMMEND PCB THICKNESS: .062/1.57



SHOWN WITH DISPOSABLE CAP  
SEE NOTE 4

NOTES:

- HOUSING MATERIAL: GLASS FILLED LIQUID CRYSTAL POLYMER, UL94V-0, COLOR: BLACK  
TERMINAL MATERIAL: BRASS ALLOY
- FINISH: A = .000060/(0.00152) MIN. REFLOWED MATTE TIN OVER .000050/(0.00127) MIN. NICKEL PLATE. (FINISH IS BRIGHT IN APPEARANCE, THICKNESS AS APPLIED PRIOR TO REFLOW)  
B = .000015/(0.00038) MIN. SELECT GOLD IN CONTACT AREA, .000100/(0.00254) MIN. SELECT MATTE TIN ON SOLDER TAILS, BOTH OVER .000050/(0.00127) MIN. NICKEL PLATE.  
C = .000030/(0.00076) MIN. SELECT GOLD IN CONTACT AREA, .000100/(0.00254) MIN. SELECT MATTE TIN ON SOLDER TAILS, BOTH OVER .000050/(0.00127) MIN. NICKEL PLATE.
- PRODUCT SPECIFICATION: PS-43045
- PACKAGING: TAPE & REEL (WITH DISPOSABLE CAPS) PER PK-70873-09\*\*.
- MATES WITH MICRO FIT (3.0) RECEPTACLE SERIES 43025
- THIS PART CONFORMS TO CLASS B REQUIREMENTS OF COSMETIC SPECIFICATION PS-45499-002.
- CIRCUIT SIZES 2-6: "D" IS .265/6.74 FOR .010/0.25 STEP  
CIRCUIT SIZES 8-24: "D" IS .063/1.60 FOR .010/0.25 STEP.

CKTS	TOOLED	FINISH		
		A	B	C
02	YES	43045-0283	43045-0284	43045-0285
04	YES	43045-0483	43045-0484	43045-0485
06	YES	43045-0683	43045-0684	43045-0685
08	YES	43045-0883	43045-0884	43045-0885
10	YES	43045-1083	43045-1084	43045-1085
12	YES	43045-1283	43045-1284	43045-1285
14	YES	43045-1483	43045-1484	43045-1485
16	YES	43045-1683	43045-1684	43045-1685
18	YES	43045-1883	43045-1884	43045-1885
20	YES	43045-2083	43045-2084	43045-2085
22	NO	43045-2283	43045-2284	43045-2285
24	YES	43045-2483	43045-2484	43045-2485

UPDATE TOOLED EC NO: UCP2015-4529 DRAWN: JDOX CHKD: SSOUSEK APPR: FSMITH 2015/07/07 2015/07/07 2015/08/13	QUALITY SYMBOLS ∇=0 ∇=0 ∇=0	GENERAL TOLERANCES (UNLESS SPECIFIED)		DIMENSION STYLE IN/MM		SCALE ---	DESIGN UNITS METRIC	THIRD ANGLE PROJECTION			
		4 PLACES ± --- ± --- 3 PLACES ± --- ± .010 2 PLACES ± 0.25 ± .014 1 PLACE ± 0.36 ± --- 0 PLACE ± --- ± ---		DRAWN BY TRBENES DATE 2009/2/16		CHECKED BY SSOUSEK DATE 2009/2/16		TITLE MICRO FIT (3.0) DUAL ROW VERTICAL THRU HOLE HDR TAPE & REEL			
		ANGULAR ±1/2° DRAFT WHERE APPLICABLE MUST REMAIN WITHIN DIMENSIONS		APPROVED BY FSMITH DATE 2009/2/16		MATERIAL NO. SEE CHART		DOCUMENT NO. SD-43045-030		SHEET NO. 1 OF 1	
		THIS DRAWING CONTAINS INFORMATION THAT IS PROPRIETARY TO MOLEX INCORPORATED AND SHOULD NOT BE USED WITHOUT WRITTEN PERMISSION									