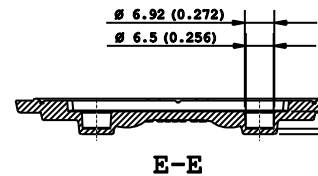
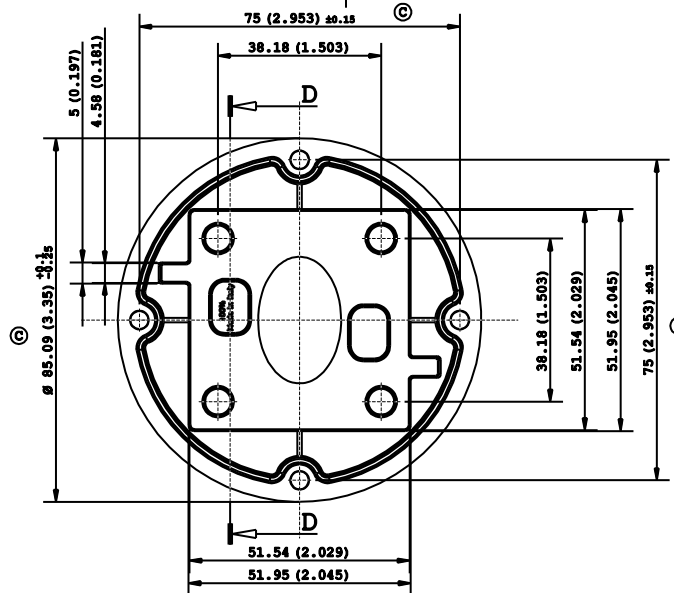
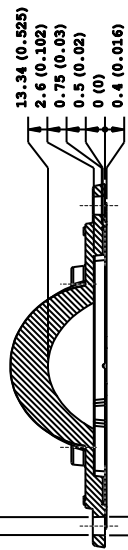


D-D



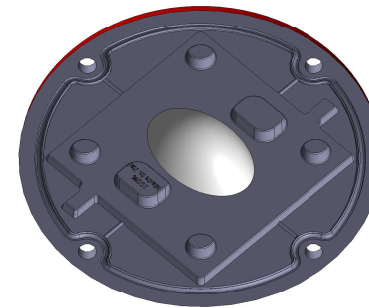
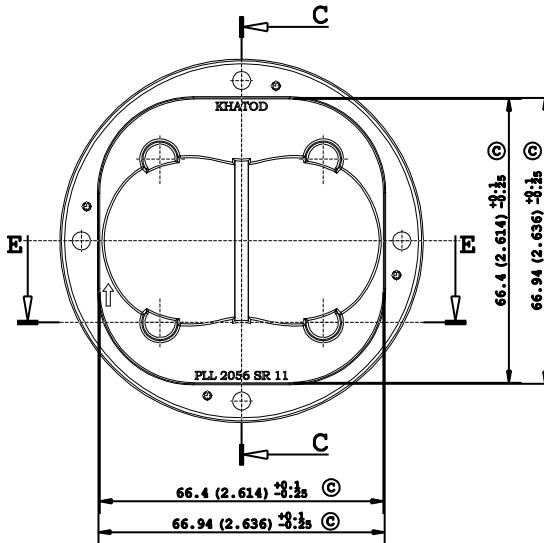
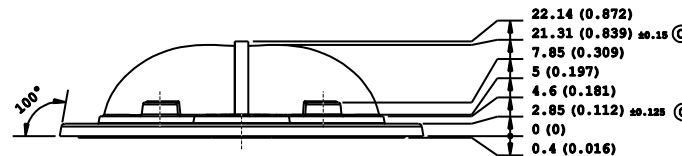
E-E



C-C

Ø 4.2 (0.165)

Ø 4.4 (0.173)



- Note:
- Dimensions in inches into brackets
  - For missing dimensions see 3D file
  - WHITE surfaces mirror polished
  - GREY surfaces embossed 27/29 VDI
  - RED surfaces = available area for gate material
  - Ⓢ = Quality Control Dimension (QCD)

<p>Project and design owned by Khatod OPTOELECTRONIC s. r. l.          The technical solutions adopted in this design are Khatod intellectual property, they cannot be reproduced and transmitted to third parties without our prior written permission.          Unauthorized disclosure of confidential proprietary information will be prosecuted by law.</p>			
DESCRIPTION : Silikone Lens		DESIGNER : LM/LS	PROJECTS : PLL 2056SR xx
CODE : PLL 2056 SR 11	CHECKED : LS	CONTROLLED : LS/GV	DATA : 05/05/2017
<b>KHATOD</b> Via Alessandrina,25 Cusano Milanino MILANO ITALIA WWW.KHATOD.COM	All Dimensions in mm General Tolerances +/-0.35 mm		HEAT TREATMENT: No One
			MATERIAL: LSR 7080 J
SCALE : 1 : 1			SHEET : 1 of 1