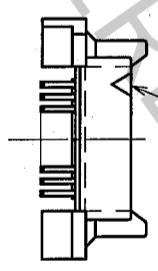
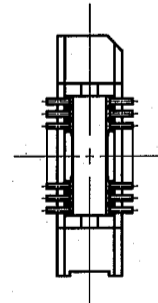
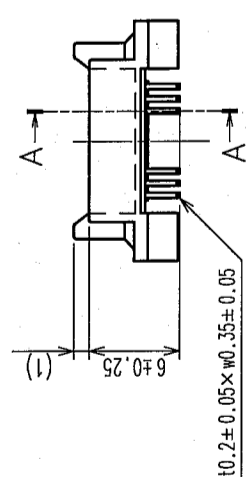
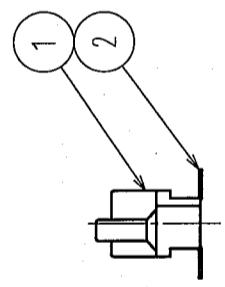
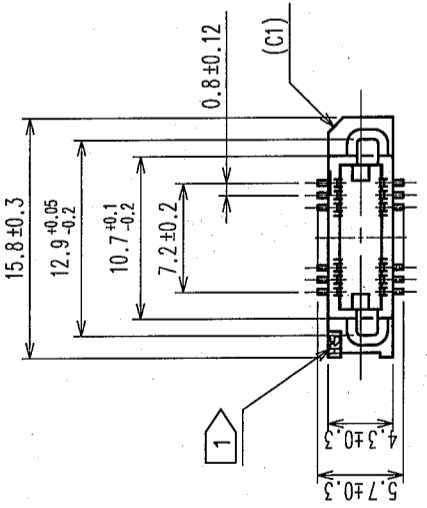
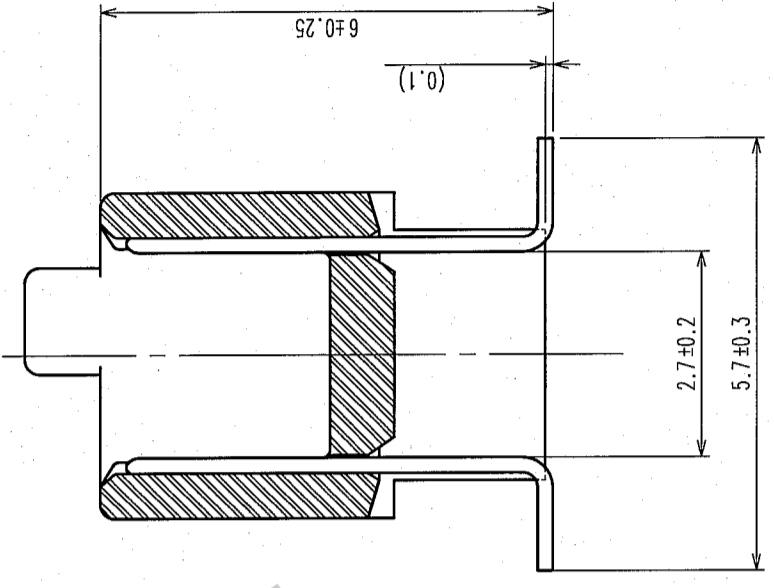


NO.	DESCRIPTION OF REVISIONS	BY	CHKD	DATE	COUNT	DESCRIPTION OF REVISIONS	BY	CHKD	DATE
1					1				
2					1				
3					1				

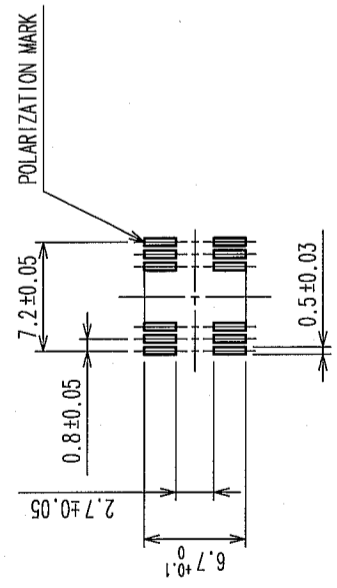


A-A (10:1)



- NOTE
- 1 HRS MARK SHALL BE OPTIONAL.
 - 2 LEAD CO-PLANARITY SHALL BE 0.1mm MAX.
 - 3 THE DIMENSIONS IN PARENTHESES ARE FOR REFERENCE.
 - 4 EMBOSSED CARRIER TAPE PACKAGING SHALL BE APPLIED FOR THIS PRODUCT.
 - 5 FOR MODIFICATION, ETC, PREVENTIVE HOLE FOR SINK MARK MAY BE ADDED ACCORDING TO CIRCUMSTANCES.

RECOMMENDED P.C.B. LAND PATTERN (MOUNT SIDE)



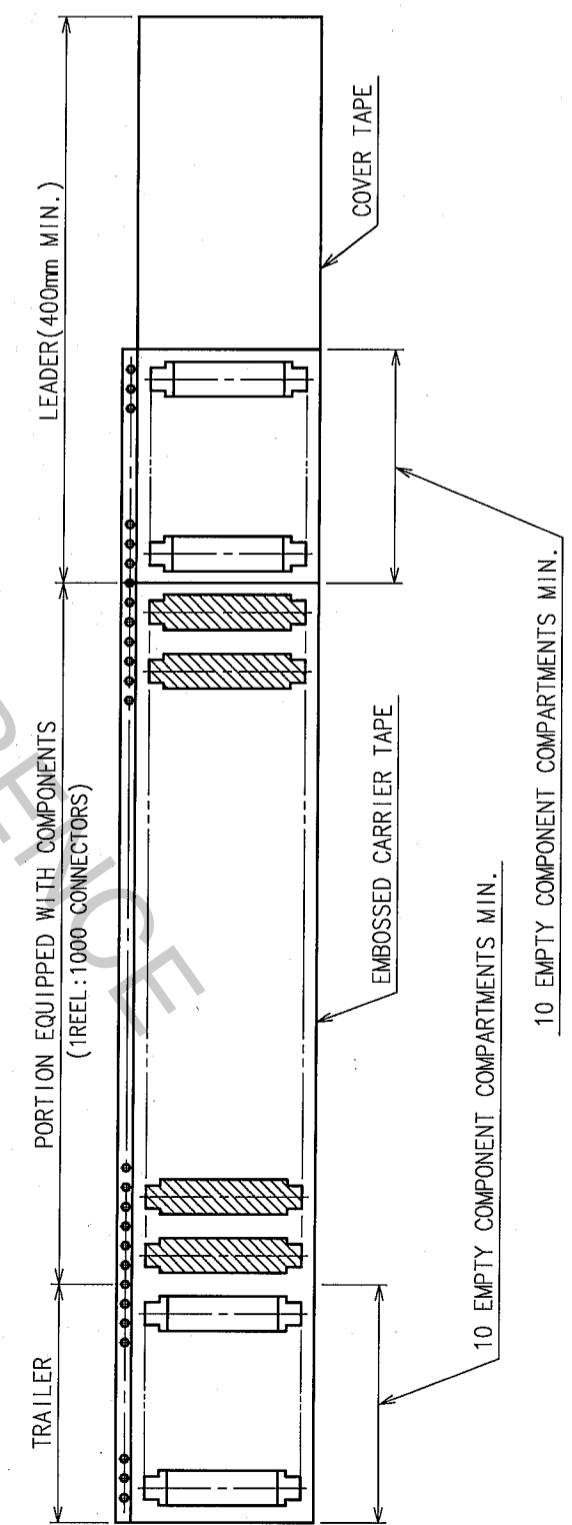
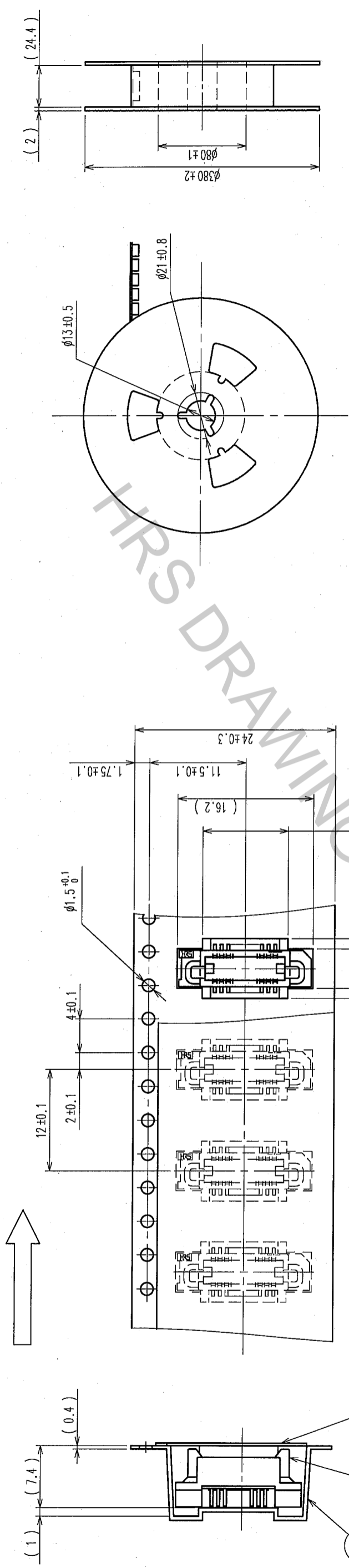
1	PPS	LIGHT BROWN UL94V-0	2	PHOSPHOR BRONZE	CONTACT AREA : GOLD 0.1μ m min. LEAD AREA : TIN-PLATING 1μ m min. UNDER PLATING : NICKEL 1μ m min.
NO.	MATERIAL	FINISH, REMARKS	NO.	MATERIAL	FINISH, REMARKS
CODE NO. (OLD) CL			DESIGNED T. YAMAGISAWA 06.02.22	CHECKED K. Ogawa 06.02.22	APPROVED H. Okawa 06.02.22
DRAWING NO. EDC3-071316-22		PART NO. FX6A-20P-0.8SV2(92)		RELEASED	
SCALE 2:1	UNITS MM		CODE NO. CL576-0241-7-92		1/2



COUNT	DESCRIPTION OF REVISIONS	BY	CHKD	DATE	COUNT	DESCRIPTION OF REVISIONS	BY	CHKD	DATE
△									
△									
△									

STYLE AND DIMENSION OF REEL(FREE)

DIRECTION OF UNREELING



NOTE 1 THE DIMENSIONS IN PARENTHESES ARE FOR REFERENCE.
 2 1 REEL: 1000 CONNECTORS.

NO.	MATERIAL	FINISH, REMARKS	NO.	MATERIAL	FINISH, REMARKS
2	POLYESTER	COVER TAPE	3	(CONNECTOR)	
1	POLYSTYRENE	EMBOSSED CARRIER TAPE			

CODE NO. (OLD)	CL	DRAWN	DESIGNED	CHECKED	APPROVED	RELEASED
		T. YANAGISAWA	<i>M. Nakamura</i>	<i>K. Ogawa</i>	<i>H. Okawa</i>	
		'06.02.22	'06.02.22	'06.02.22	'06.02.22	

DRAWING NO.	PART NO.
EDC3-071316-22	FX6A-20P-0.8SV2(92)

SCALE	UNITS	CODE NO.
2 : 1	ITUT	CL576-0241-7-92