

4

3

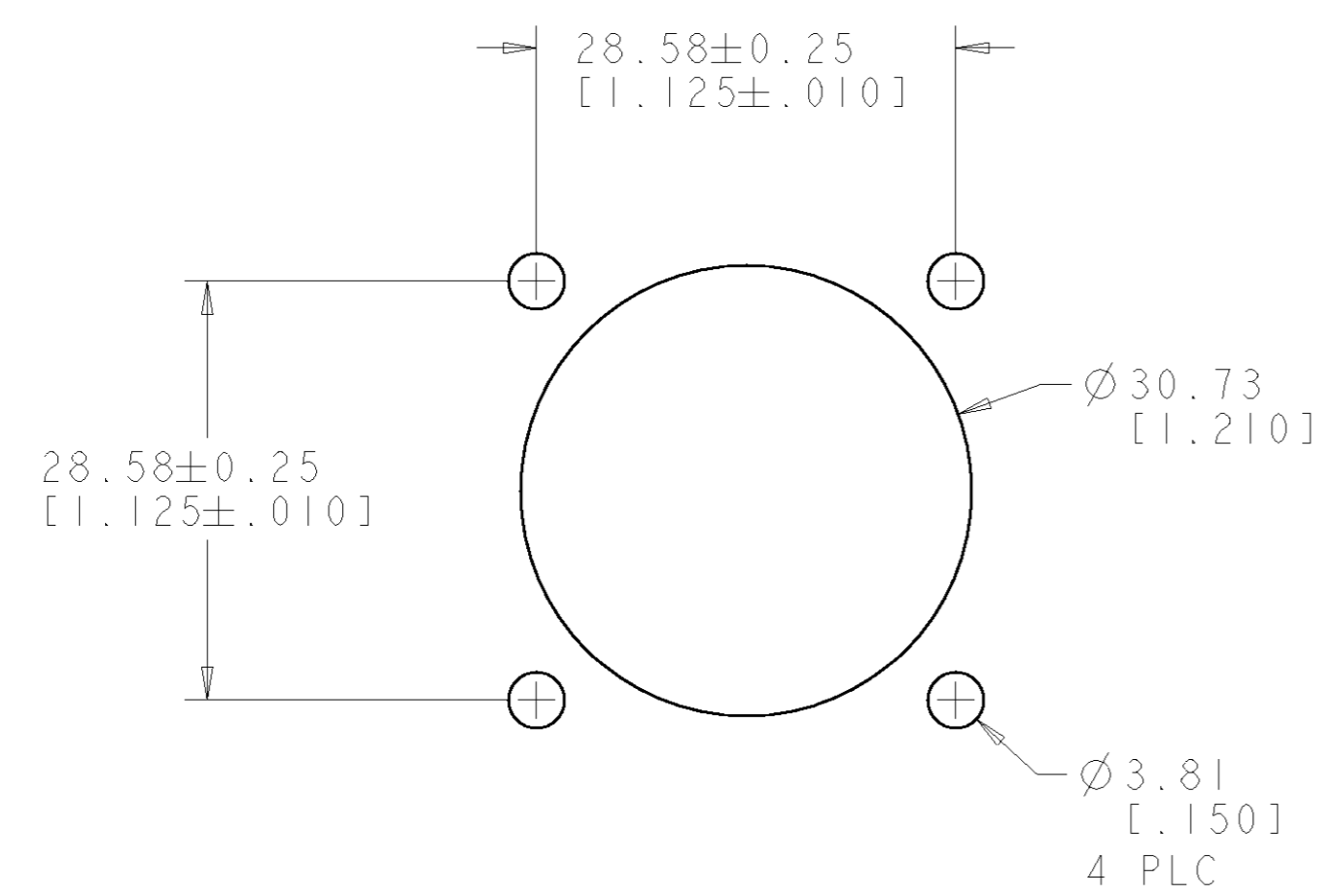
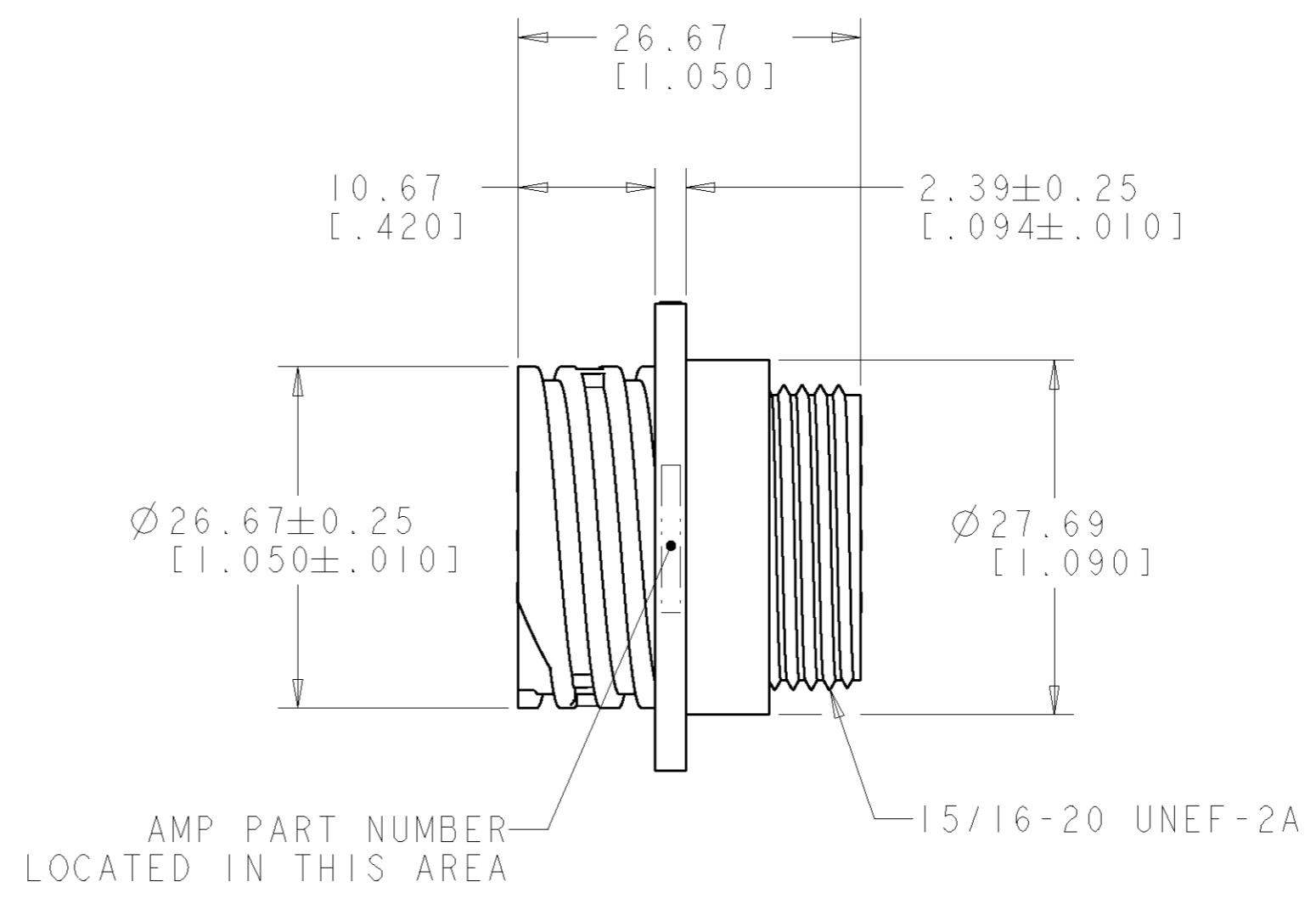
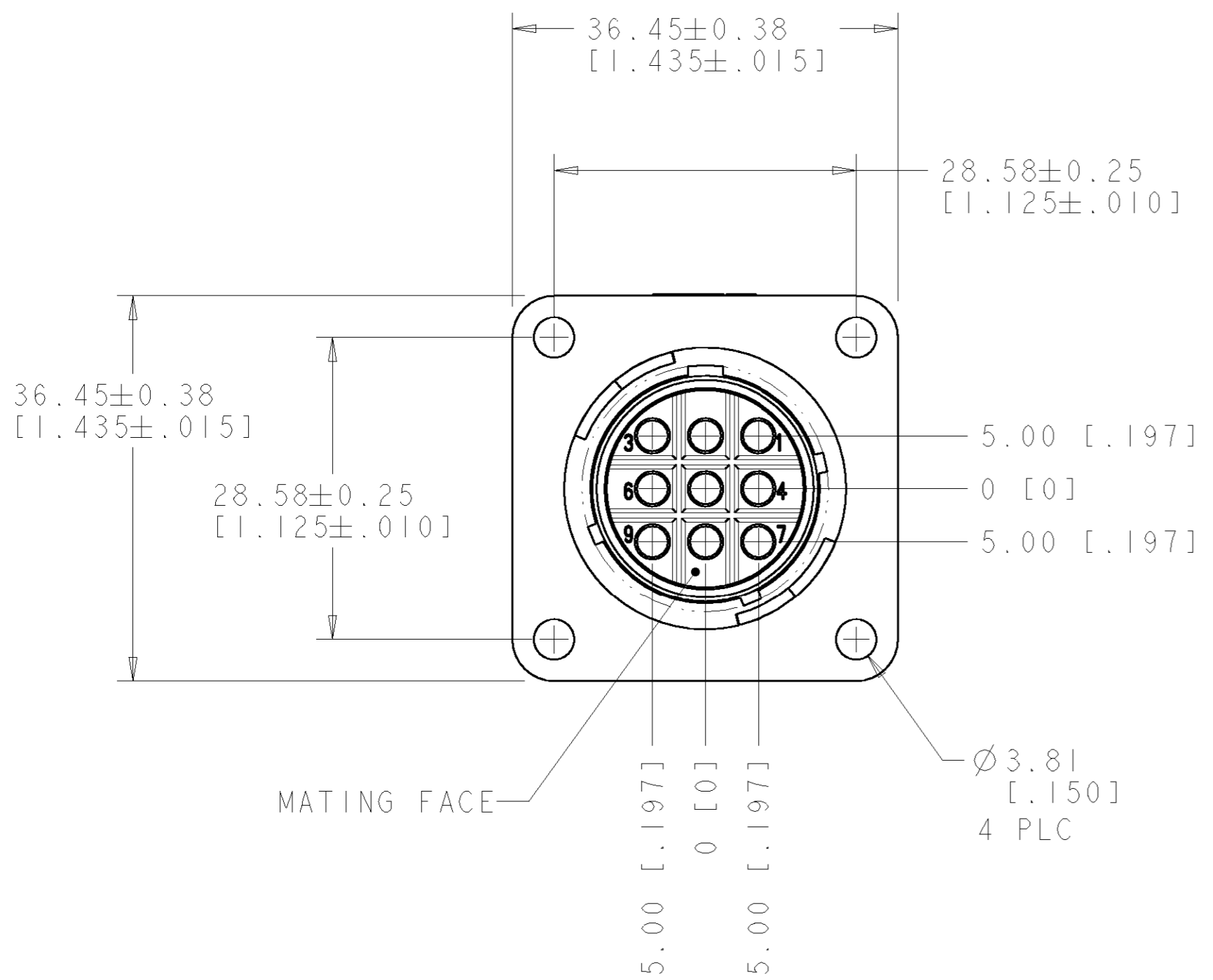
2

1

THIS DRAWING IS UNPUBLISHED. RELEASED FOR PUBLICATION
BY AMP INCORPORATED. ALL RIGHTS RESERVED.

LOC FT DIST 0

REVISIONS					
P	LTR	DESCRIPTION	DATE	DWN	APVD
	O	RELEASED	31MAR100	SW	-
	A	REVISED EC 0G3B-0097-00	20APR00	SW	MC
	B	REVISED EC 0G3B-0280-00	01JUN2000	SW	MC



RECOMMENDED PANEL CUTOUT
3.18[.125] MAX PANEL THICKNESS

- △ NYLON, BLACK.
- 2. HOUSING WILL ACCEPT NINE MULTIMATE SOCKET CONTACTS.
- 3. CAVITY IDENTIFICATION ON FRONT AND REAR FACE.

796439-2
PART NUMBER

THIS DRAWING IS A CONTROLLED DOCUMENT FOR AMP INCORPORATED. IT IS SUBJECT TO CHANGE AND THE CONTROLLING ENGINEERING ORGANIZATION SHOULD BE CONTACTED FOR THE LATEST REVISION.		DWN S.WELDON 31MART00 CHK M.CHACKO 31MART00 APVD M.CHACKO 31MART00	AMP AMP Incorporated Harrisburg, PA 17105-3608
DIMENSIONS: mm[INCHES]	TOLERANCES UNLESS OTHERWISE SPECIFIED: 0 PLC ± 1 PLC ±0.1 2 PLC ±0.02 3 PLC ±0.005 4 PLC ±0.0005 ANGLES ±	PRODUCT SPEC - APPLICATION SPEC - WEIGHT -	NAME RECEPTACLE HOUSING, SIZE 17-9, REVERSE SEX, CPC SIZE A2 CAGE CODE 00779 DRAWING NO 796439 RESTRICTED TO -
MATERIAL	FINISH	CUSTOMER DRAWING	SCALE 2:1 SHEET 1 OF 1 REV B