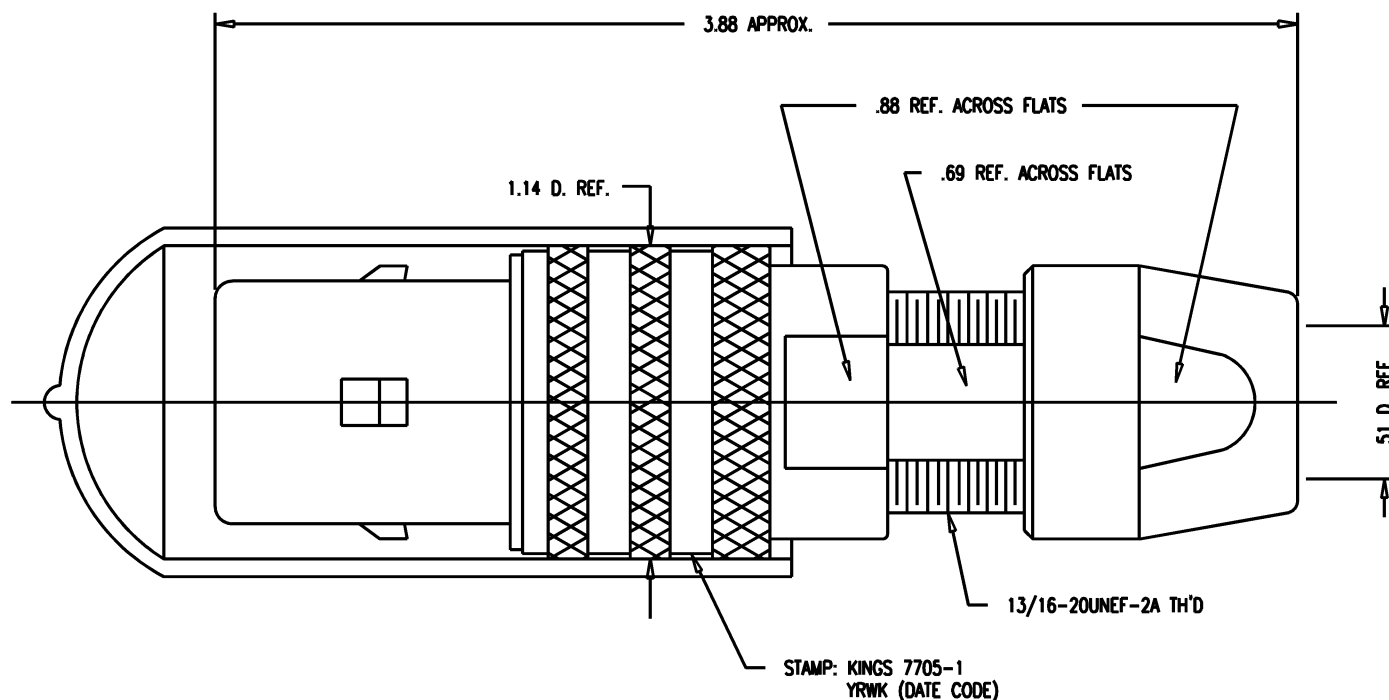


DASH NO.	M CODE	MADE FROM
----------	--------	-----------

# GSD



**NOTES:**

- FOR USE WITH 700 CABLE GROUP.
- FOR CABLING INSTRUCTIONS SEE KAI-8010.
- FOR CABLE TRIMMING USE KTJ-300 AND KTD-300
- FOR CRIMPING USE DIE KTH-1000 AND KTH-2040.
- MATERIALS:  
INSULATORS: TEFLON, ASTM-D-1457  
CONDUCTIVE GASKET: CONSIL C 87-10004  
GASKETS: SILICONE RUBBER, ZZ-R-765  
K-GRIP SLEEVE: COM. BRONZE TUBE, ALLOY 220  
OUTER CONTACT: PHOSPHOR BRONZE, QQ-B-750  
FINGER BODY: BER. COPPER, ASTM-B-196  
CENTER CONTACT TIP: DELRIN  
CAP: VINYL  
ALL OTHER METAL PARTS: BRASS, ASTM-B16

- FINISHES:  
CENTER CONTACT: HARD GOLD PLATE, PER MIL-G-45204  
NUT } KINGS TARNISH RESISTANT FINISH (TR-5)  
COLLET }  
OUTER BODIES }  
ALL OTHER METAL PARTS: SILVER PLATE, PER QQ-S-365
- ELECTRICAL CHARACTERISTICS:  
NOMINAL IMPEDANCE: 75 OHMS  
FREQUENCY RANGE: DC-500 MHZ  
VOLTAGE BREAKDOWN: CENTER CONDUCTOR/INNER GROUND: 1500 VRMS  
INNER GROUND/OUTER GROUND: 500 VRMS

7705-1

**REVISIONS**

ISSUE	CHANGES
0	ER 35412 KH 05/06/95
1	CN 36381 E ME 06/19/95
2	CN 37920 E TML 10/25/99
3	CN 38122 C BDH 11/08/00

77051S

SCALE 2:1

APPROX SURFACE AREA

USED ON

REF: KP-8010-700-400

**PLUG, TRI-LOC**  
(SERIAL DIGITAL)

DRAWN KH DATE 04/06/95

DESIGN DW DATE 04/07/95

APPR. DATE

**KINGS**  
ELECTRONICS CO., INC.  
ROCK HILL, SOUTH CAROLINA 29730

7705-1

# GSD