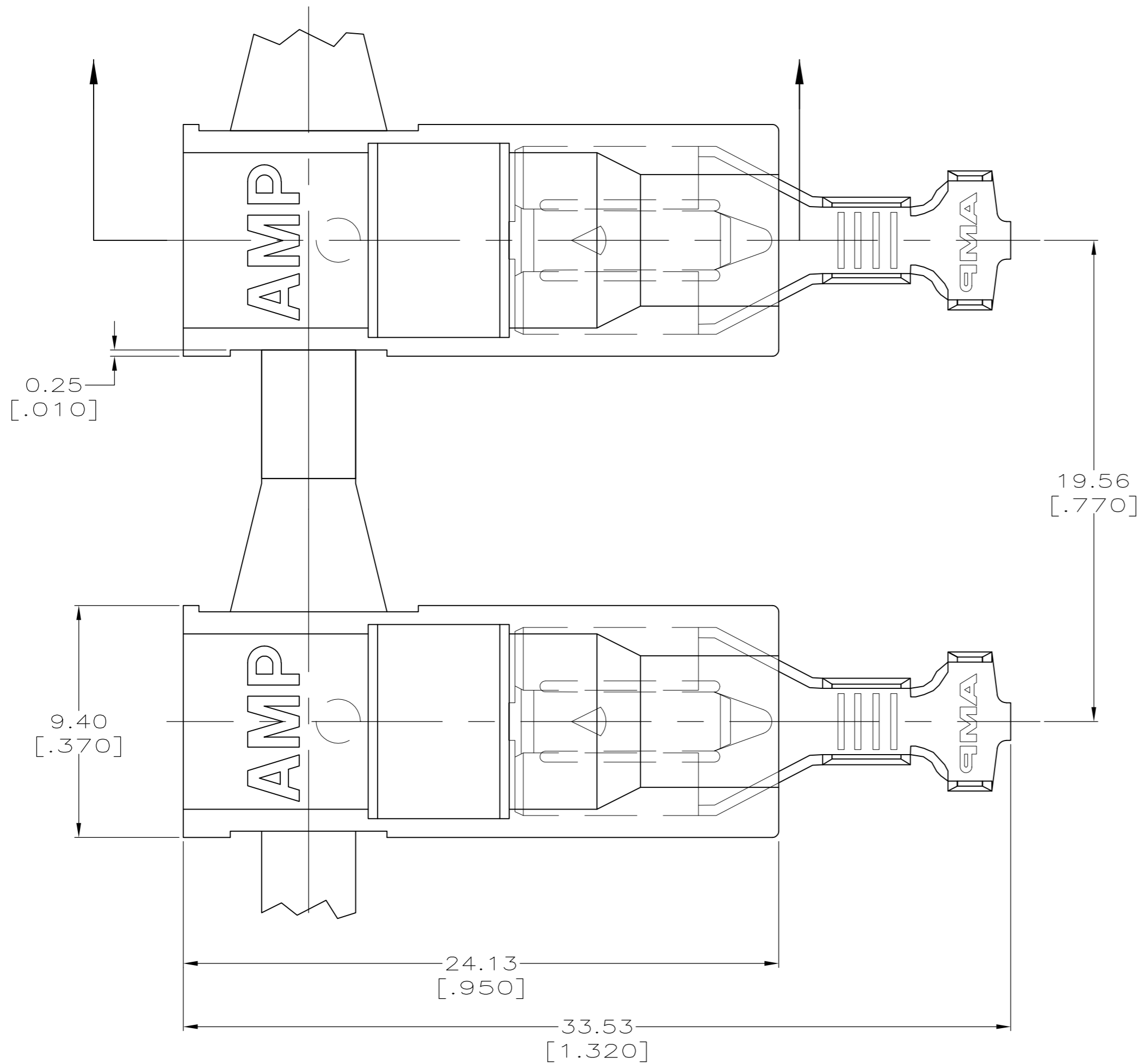
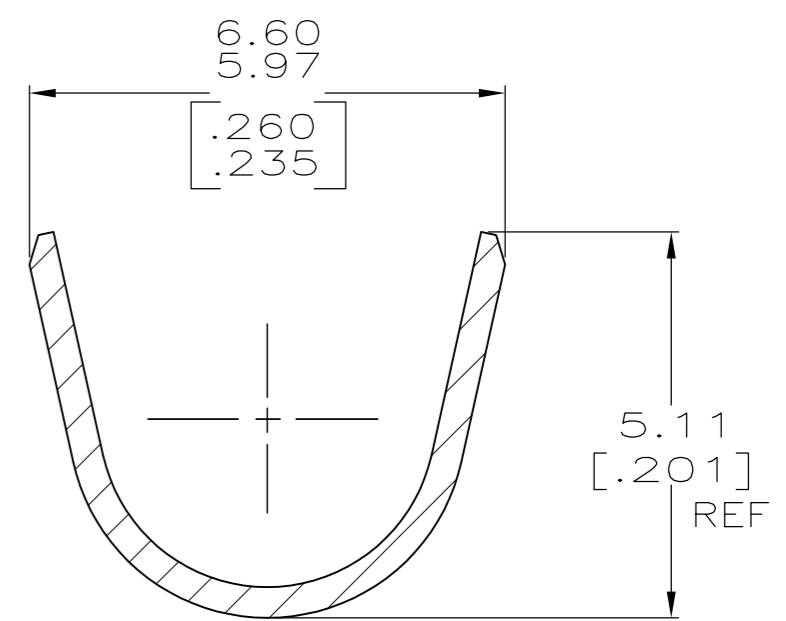
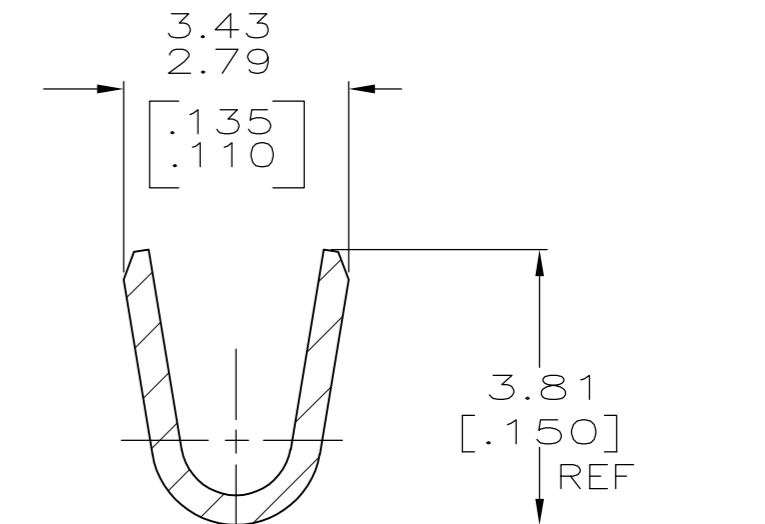


THIS DRAWING IS UNPUBLISHED. RELEASED FOR PUBLICATION
 © COPYRIGHT BY TYCO ELECTRONICS CORPORATION. ALL INTERNATIONAL RIGHTS RESERVED.

| LOC | DIST | REVISIONS | | | |
|-----|------|-------------|---------------------------|---------|--------|
| P | LTR | DESCRIPTION | DATE | DWN | APVD |
| AF | 50 | C | REVISED PER ECR-10-001444 | 22FEB10 | HMR GP |



- 1 MATING TAB THK TO BE 0.81±0.025 [.032±.001]
- 2 TIN PLATE 0.002032 [.000080] MIN THK.
- 3 WIRE SIZE IS [#18-#14] AWG.
- 4 INSULATION RANGE IS 2.79-4.57 [.110-.180] DIA.
 2.79-3.56 [.110-.140] DIA - CRIMP WIDTH 4.57 [.180], F TYPE
 3.56-4.57 [.140-.180] DIA - CRIMP WIDTH 4.57 [.180], O TYPE
- 5 PRELIMINARY - NOT FOR PRODUCTION
- 6 OFFERED FOR CONSIDERATION IN APPLICATIONS REQUIRING "NON-DRIP" HOUSING MATERIAL.



| | | | | |
|------------------------------|-----------------------------|----------|---|----------|
| VO NYLON 66, NATURAL (WHITE) | H04 BRASS, TIN PLATED | 2 | 5 | 521863-2 |
| | H04 BRASS, PLAIN | | | 521863-1 |
| HOUSING MATERIAL | TERMINAL, MATERIAL & FINISH | PART NO. | | |

| | | | | | |
|---|--|------------------|---------|---------|---|
| THIS DRAWING IS A CONTROLLED DOCUMENT. | | DWN | JR RUTH | 200CT05 | Tyco Electronics Corporation Harrisburg, PA 17105-3608 |
| DIMENSIONS: mm [INCHES] | | CHK | G PORTA | 200CT05 | |
| TOLERANCES UNLESS OTHERWISE SPECIFIED: | | APVD | G PORTA | 200CT05 | |
| 0 PLC ± - 1 PLC ± - 2 PLC ± 0.25 [.010] 3 PLC ± - 4 PLC ± - ANGLES ± - FINISH SEE TABLE | | PRODUCT SPEC | NAME | | |
| MATERIAL SEE TABLE | | APPLICATION SPEC | WEIGHT | | RESTRICTED TO |
| CUSTOMER DRAWING | | SCALE | 6:1 | SHEET | 1 OF 1 |
| | | REV | C | | |