

QorIQ T2080 Reference Design Board User Guide

Document Number: T2080RDBPAUG
Rev 0, 04/2014

Contents

Section number	Title	Page
Chapter 1 Overview		
1.1	Related documentation.....	5
1.2	Acronyms and abbreviation.....	6
1.3	T2080 silicon features.....	7
1.4	T2080RDB-PA board features.....	8
1.5	Block diagram.....	9
Chapter 2 Architecture		
2.1	Processor.....	13
2.2	Power.....	13
2.3	Reset.....	17
2.4	Clocks.....	17
2.5	DDR.....	18
2.6	SerDes port.....	19
2.6.1	PCI Express support.....	21
2.6.2	XFI 10G optics port support.....	21
2.6.3	XFI 10G Base-T port support.....	22
2.6.4	SATA support.....	22
2.7	Ethernet controllers	22
2.8	Ethernet Management Interface (EMI).....	23
2.9	I2C.....	24
2.10	SPI interface	25
2.11	Local bus.....	26
2.12	SDHC interface.....	26
2.13	USB interface.....	27
2.14	RS-232.....	28
2.15	JTAG/COP port.....	29

Section number	Title	Page
2.16	Connectors, Headers, Jumper, Push buttons, and LEDs.....	31
2.16.1	Connectors.....	31
2.16.2	Headers.....	32
2.16.3	Jumper.....	32
2.16.4	Push buttons.....	33
2.16.5	LEDs.....	33
2.17	Temperature.....	33
2.18	DIP switch definition.....	34

Chapter 3 CPLD Specification

3.1	CPLD Memory Map.....	37
3.1.1	Chip ID1 register (CHIPID1).....	37
3.1.2	Chip ID2 register (CHIPID2).....	38
3.1.3	Hardware version register (HWVER).....	38
3.1.4	Software version register (SWVER).....	39
3.1.5	Reset control register (RSTCON).....	39
3.1.6	Flash control and status register (FLHCSR).....	40
3.1.7	Thermal control and status register (THMCSR).....	40
3.1.8	Panel LED control and status register (LEDCSR).....	41
3.1.9	SFP+ control and status register (SFPCSR).....	41
3.1.10	Miscellanies control and status register (MISCCSR).....	42
3.1.11	Boot configuration override register (BOOTOR).....	43
3.1.12	Boot configuration register 1 (BOOTCFG1).....	43
3.1.13	Boot configuration register 2 (BOOTCFG2).....	43

Chapter 1

Overview

The T2080RDB-PA is a high-performance computing evaluation, development, and test platform supporting the T2080 QorIQ Power Architecture® processor. The T2080RDB-PA is optimized to support the high-bandwidth DDR3LP memory and a full complement of high-speed SerDes ports. This system has two working mode, the Standalone mode and the PCIe Endpoint mode. The motherboard inside T2080RDB-PA is a PCIe form factor card and the card is installed in a custom 1U chassis. The system is in standalone mode by default and customer will have to remove the PCIe from the 1U chassis for the PCIe Endpoint mode operation.

NOTE

T2080RDB boards are using Freescale C29x crypto coprocessor series silicon.

1.1 Related documentation

The documents below may be available only under a non-disclosure agreement (NDA). To request access to these documents, contact your local field applications engineer or sales representative.

Table 1-1. Related documentation

Document name	Description
T2080 QorIQ Integrated Multicore Communication Processor Family Reference Manual	This document provides a detail description on T2080 QorIQ multicore processor, and on some of its features like memory map, serial interfaces, power supply, chip features, and clock information.
T2080 Product Brief	This document provides an overview of the Freescale T2080 features, and examples of T2080 usage.

Table continues on the next page...

Table 1-1. Related documentation (continued)

Document name	Description
T2080 QorIQ Advanced Multicore Processor Data Sheet	This document contains T2080 information on pin assignments, electrical characteristics, hardware design, considerations, package information, and ordering information.

1.2 Acronyms and abbreviation

Table 1-2. Acronyms and abbreviation

Usage	Description
COP	Common On-chip Processor
CPC	CoreNet Platform Cache
CPLD	Complex Programmable Logic Device
DIMM	Dual In-Line Memory Module
DIP	Dual In-Line Package
DMA	Direct Memory Access
DPAA	Data Path Acceleration Architecture
DRAM	Dynamic Random Access Memory
DUT	Device Under Test
EC	Ethernet Controllers
ECC	Error Detection and Correction
EMI	Ethernet Management Interfaces
eSDHC	enhanced Secure Digital Host Controller
eSPI	enhanced Serial Peripheral Interface
FPGA	Field-Programmable Gate Array
HW	Hardware
I2C	Inter - Integrated Circuit
IFC	Integrated Flash Controller
JTAG	Joint Test Action Group
PCIe/PEX	PCIe = PCI Express = PEX
PLD	Programmable Logic Device
POR	Power On Reset
QMan	Queue Manager
SATA	Serial Advanced Technology Attachment
SD	Secure Digital
SerDes	Serializer/Deserializer
SGMII	Serial Gigabit Media Independent Interface
SPI	Serial Peripheral Interface

Table continues on the next page...

Table 1-2. Acronyms and abbreviation (continued)

Usage	Description
SW	Switch
SYSCLK	System Clock
UART	Universal Asynchronous Receiver/Transmitter
VCC	Voltage for Circuit
VTT	Voltage for Terminal

1.3 T2080 silicon features

The T2080 silicon features are as follows:

- Four e6500 cores, built on Power Architecture technology, sharing a 2MB L2 cache.
- 512KB CoreNet Platform cache (CPC).
- Hierarchical interconnect fabric
 - CoreNet fabric supporting coherent and non-coherent transactions with prioritization and bandwidth allocation amongst CoreNet endpoints.
 - Queue Manager (QMan) fabric supporting packet-level queue management and quality of service scheduling.
- One 32/64-bit DDR3 SDRAM memory controller:
 - DDR3 and DDR3L with ECC and interleaving support.
 - Memory pre-fetch engine.
- Data Path Acceleration Architecture (DPAA) incorporating acceleration for the following functions:
 - Packet parsing, classification, and distribution (Frame Manager 1.1).
 - Queue management for scheduling, packet sequencing, and congestion management (Queue Manager 1.1).
 - Hardware buffer management for buffer allocation and de-allocation (Buffer Manager 1.1).
 - Cryptography Acceleration (SEC 5.2).
 - RegEx Pattern Matching Acceleration (PME 2.1).
 - Decompression/Compression Acceleration (DCE 1.0).
 - DPAA chip-to-chip interconnect, using RapidIO Message Manager (RMan 1.0).
- 16 SerDes lanes at up to 10GHz.
- Eight Ethernet interfaces, supporting combinations of:
 - Up to four 10Gbps Ethernet MACs.
 - Up to eight 1Gbps Ethernet MACs.

- Up to four 2.5Gbps Ethernet MACs.
- IEEE 1588 standard support.
- High-speed peripheral interfaces:
 - Four PCI Express controllers (two supporting PCIe 2.0 and two supporting PCIe 3.0).
 - Two Serial RapidIO 2.0 controllers running at up to 5GHz with Type 11 messaging and Type 9 data streaming support.
- Additional peripheral interfaces:
 - Two Serial ATA (SATA 2.0) controllers.
 - Two high-speed USB 2.0 controllers with integrated PHY.
 - Enhanced secure digital host controller (SD/MMC/eMMC).
 - Enhanced Serial peripheral interface (eSPI).
 - Four I2C controllers.
 - Four 2-pin UARTs or two 4-pin UARTs.
 - Integrated flash controller supporting NAND and NOR flash.
- Three 8-channel DMA engines.
- 896 FC-PBGA package, 25 mm x 25 mm, 0.8mm pitch.

1.4 T2080RDB-PA board features

The T2080RDB-PA board features are as follows:

- SERDES connections
 - 16 lanes configuration:
 - SerDes-1 Lane A-B: to two 10G SFP+ (MAC9 and MAC10).
 - SerDes-1 Lane C-D: to two 10G Base-T (MAC1 and MAC2).
 - SerDes-1 Lane E-H: to PCIe Goldfinger (PCIe4 x4, Gen3).
 - SerDes-2 Lane A-D: to PCIe Slot (PCIe1 x4, Gen2).
 - SerDes-2 Lane E-F: to C293 secure co-processor (PCIe2 x2).
 - SerDes-2 Lane G-H: to SATA1 and SATA2.
- DDR controller
 - Supports data rates of up to 1600MHz.
 - Supports one DDR3LP DIMM of single, dual, or quad-rank types.
 - DDR power supplies 1.35V to all devices with automatic tracking of VTT.
- IFC/Local Bus
 - NAND flash: 8-bit, async, up to 1GB.
 - NOR: 16-bit, non-multiplexed, up to 128MB, NOR devices support 8 virtual banks.
- Ethernet

- Two on-board RGMII 10/100/1G Ethernet ports.
- Two on-board XFI 10G EDC for 10G SFP+ Port .
- Two on-board XFI 10G Base-T port.
- CPLD
 - Manages system power and reset sequencing.
 - Configures DUT, board, clock with dynamic.
 - Reset and interrupt monitor and control.
 - General fault monitoring and logging.
- Clocks
 - System and DDR clock (SYSCLK, DDRCLK)
 - Switch selectable to one of the 16 common settings in the interval 64MHz-166MHz.
 - Software programmable in 1MHz increments from 1-200MHz.
 - SERDES clocks
 - Provides clocks to all SerDes blocks and slots.
 - 100MHz
 - 156.25MHz
- Power supplies
 - Dedicated PMBus regulator for core power; Adjustable from 0.7V to 1.3V at 60A.
- USB
 - Supports two USB 2.0 ports with integrated PHYs: Two type A ports with 5V@1.5A per port.
- MicroSD card
 - MicroSD port connects directly to MicroSD or TF.
- SPI
 - On-board support of SPI FLASH.
- Other IO
 - Two Serial ports.
 - Two I2C ports.

1.5 Block diagram

T2080RDB-PA supports two modes of operation, the Standalone mode and the Endpoint mode. There is one configuration in the Standalone mode and second configurations in the Endpoint mode, the major differences are in the PCIe and SATA support. All configurations have Freescale C293, 4x XFI, 2x RGMII, DDR, NOR, NAND, SPI EEPROM, I2C EEPROM, and GPIO. Muxing is controlled by FPGA/CPLD. Operation mode can be switched through Jumper or FPGA/CPLD. FPGA/CPLD controlled by u-boot would be best.

Block diagram

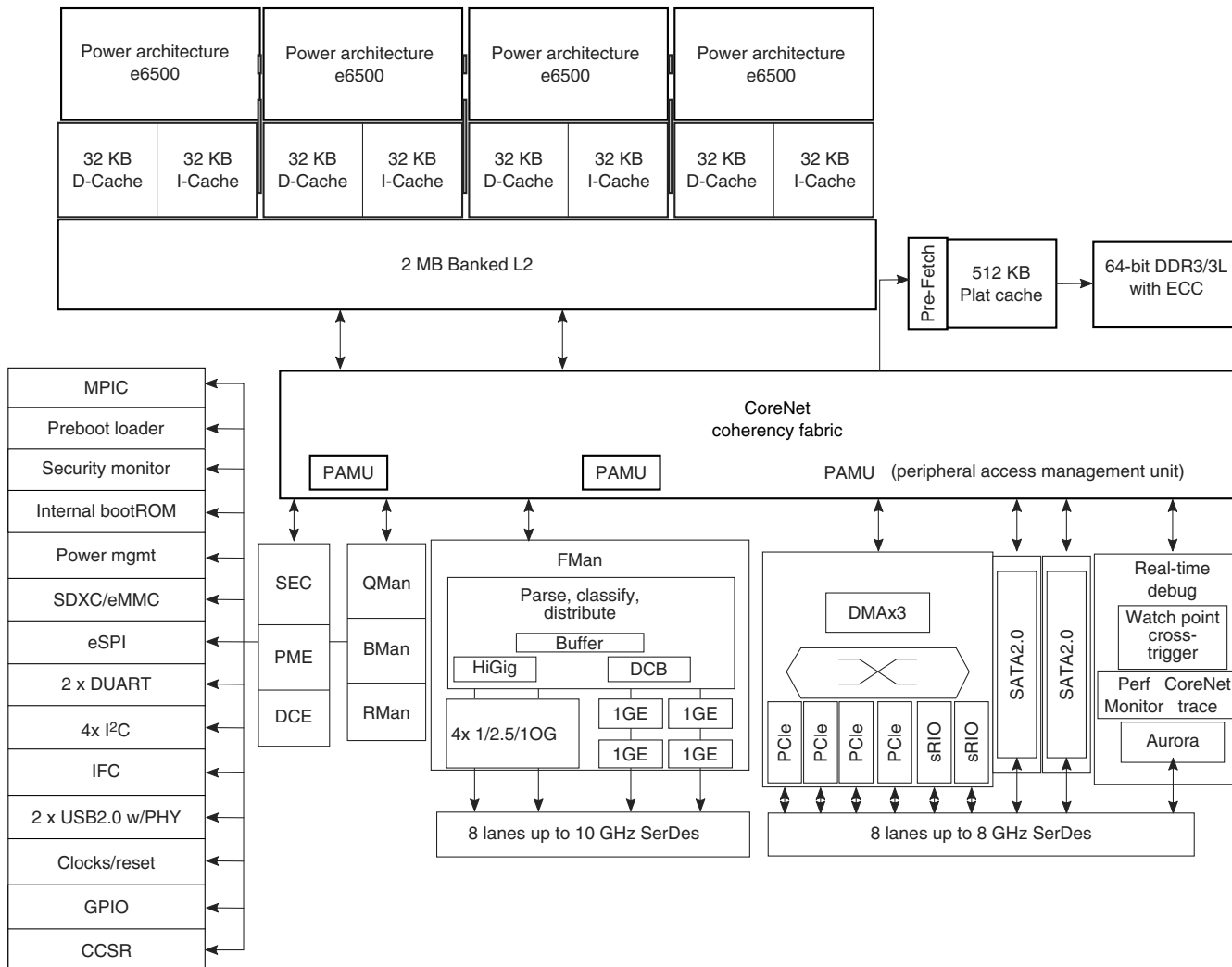


Figure 1-1. T2080 block diagram

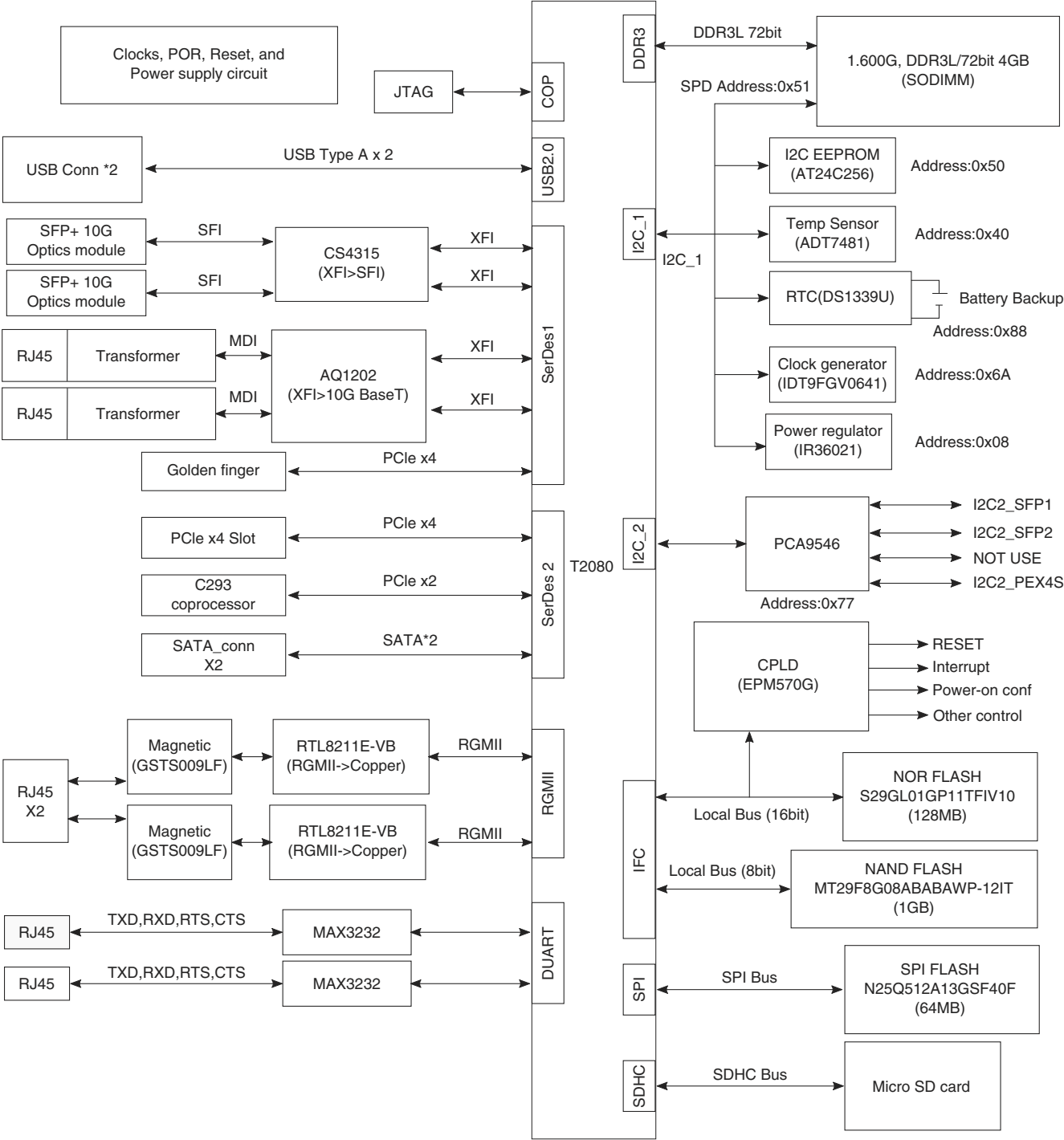


Figure 1-2. T2080RDB-PA architecture



Chapter 2 Architecture

This section explains the architecture of T2080RDB-PA:

- Processor
- Power
- Reset
- Clocks
- DDR
- SerDes port
- Ethernet controllers
- Ethernet Management Interface (EMI)
- I2C
- SPI interface
- Local bus
- SDHC interface
- USB interface
- RS-232
- JTAG/COP port
- Connectors, Headers, Jumper, Push buttons, and LEDs
- Temperature
- DIP switch definition

2.1 Processor

The T2080RDB-PA supports many features of T2080, as detailed in the following sections.

2.2 Power

The power supply system of the T2080RDB-PA system uses power from a standard 6-pin EPS, to provide power to the numerous processor, CPLD, and peripheral devices.

- Monolithic power supply for VCC (powering internal cores and platform logic).
- DUT-specific power rails are instrumented such that current measurement is possible.
- Automatic collection of voltage, current, and power is performed for critical supplies.
- Mounting holes are provided of sufficient size to allow on-board supplies to be replaced by bench supplies.
- All power supplies can be sequenced as per hardware specifications.

The power supplies provided are organized into general categories and are described in the individual sections. [Table 2-1](#) shows a general summary of power supplies and features.

Table 2-1. T2080RDB-PA power consumption

	Voltage (V)	0.67	0.78	core_1 v	1	12	1.35	1.5	2.5	1.8	3.3	5	Per chipset power (W)
T2080 (1.8G_core, 700M_plat, 2133M_dds)	1			30.30			0.50		0.50	0.50	0.50		32.30
DDR3L - SDRAM SODIMM	1						4.50						4.50
NOR Flash	1									0.30			0.30
NAND Flash	1									0.30			0.30
SPI Flash	1										0.20		0.20
SDHC-Card	1										0.20		0.20
10G EDC (SC4315)	1				0.98					0.73			1.71
SFP+	2										5.28		5.28
10G Base-T PHY (AQ1202)	1	3.35	3.28			1.44			2.60				10.67

Table continues on the next page...

Table 2-1. T2080RDB-PA power consumption (continued)

RGMII PHY (RTL8211E-VB)	2								0.60		1.00		1.60
PCA9546	1										0.33		0.33
USB	2											10.00	10.00
IDT5V41236	1										0.41		0.41
ICS843002-01	1										0.48		0.48
ICS557-03	1										0.26		0.26
OSC_3.3v	1										0.17		0.17
OSC_1.8V	3								0.27				0.27
MAX3232	2										0.20		0.20
PCIE SLOT	1										3.63		3.63
C293 Coprocessor	1			17.00				1.50	0.50		0.50		19.50
CPLD (EMP570)	1									0.36	0.66		1.02
Others	1										1.00		1.00
New Power (W)		3.35	3.28	47.30	0.98	1.44	5.00	1.50	4.20	2.46	14.82	10.00	
Current (A)		5.00	4.20	47.30	0.98	1.20	3.70	1.00	1.68	1.37	4.49	2.00	
Efficiency		0.90	0.90	0.90	0.90	0.90	0.90	0.90	0.90	0.90	0.90	0.90	
Total Power (W)		3.72	3.64	52.56	1.09	1.60	5.56	1.67	4.67	2.73	16.46	11.11	
DC-DC Converter		IR3473	IR3473	IR3473	IR3473	IR3473	IR3473	IR3473	IR3473	IR3473	IR3473	IR3473	
On board 12V power consumption												104.80	Including PCIe slot power consumption.

Figure 2-1 shows the power supply architecture.

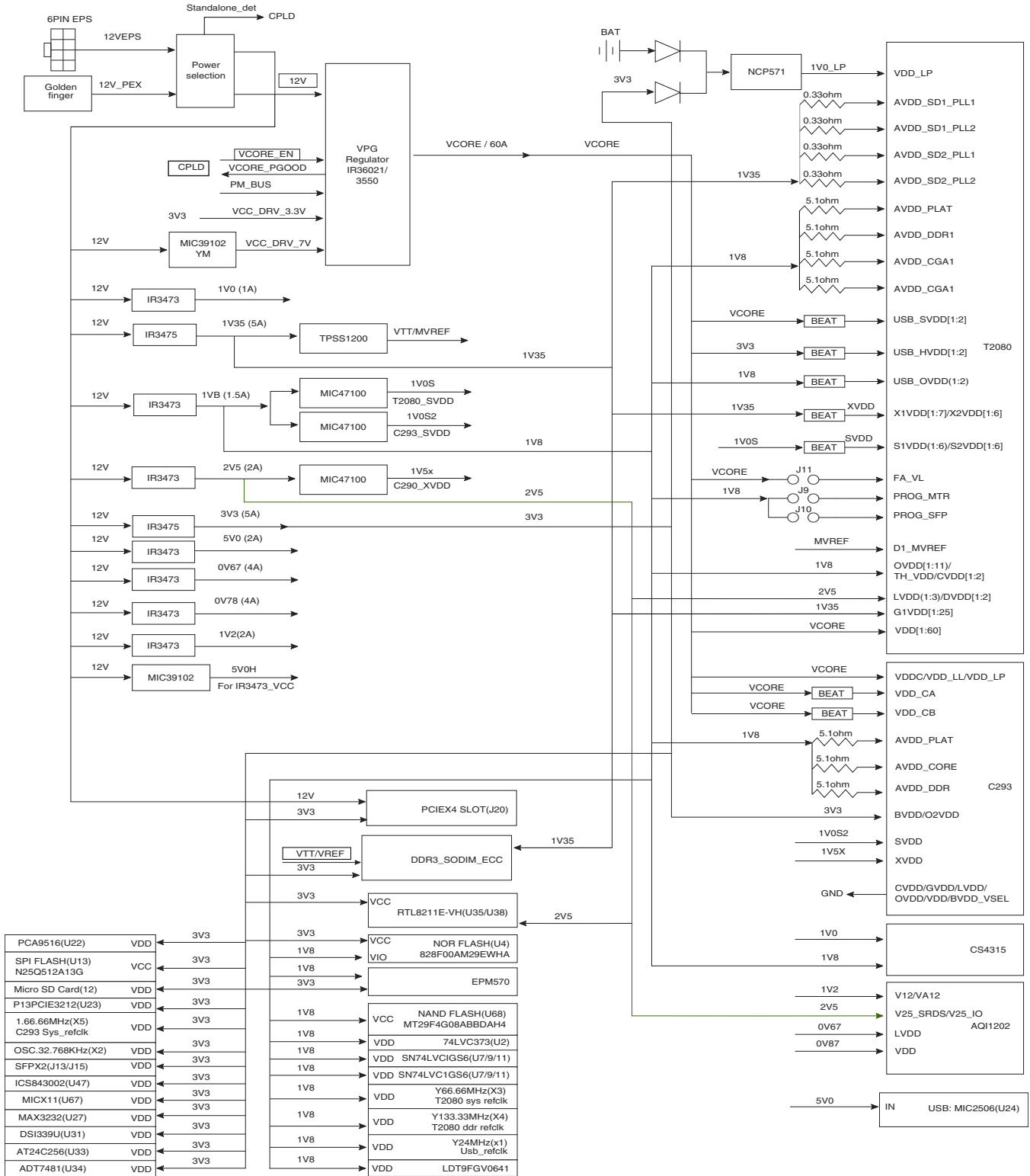


Figure 2-1. Power supply

2.3 Reset

Reset signals to and from, T2080 and other devices on T2080RDB-PA are managed by CPLD. Figure 2-2 shows an overview of the reset architecture.

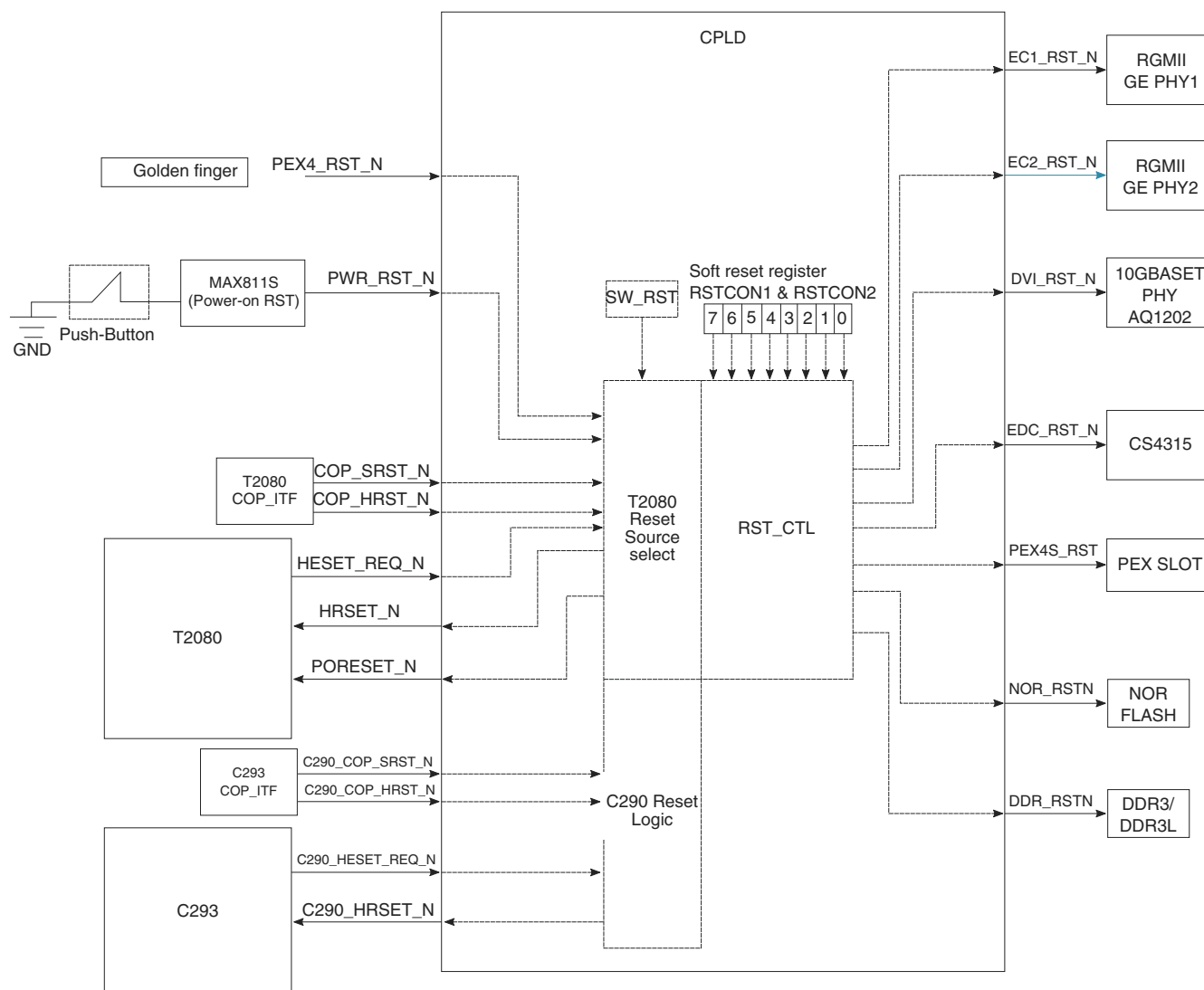


Figure 2-2. Reset architecture

2.4 Clocks

The clock circuitry provides clocks for the processor, for:

- SYSCLK
- DDRCLK (single-ended and differential)
- SerDes clocks

- Ethernet clocks
- USB clock

The architecture of the clock section is shown in [Figure 2-3](#).

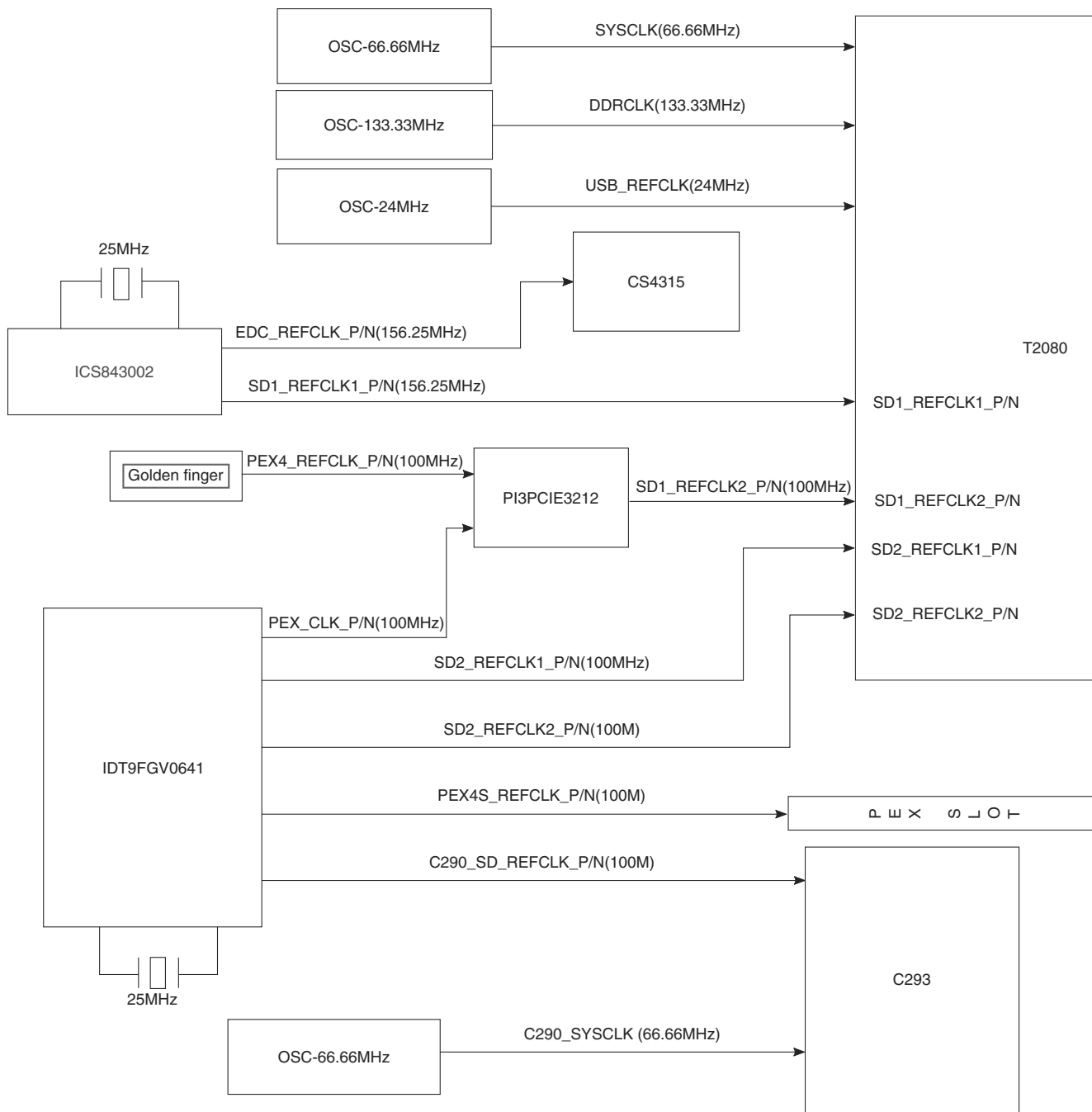


Figure 2-3. Clock architecture

2.5 DDR

The T2080RDB-PA supports high-speed DRAM, with an SODIMM socket, featuring single, dual, and quad-rank support. The memory interface includes all the necessary termination and I/O power and is routed so as to achieve maximum performance of the memory bus, as shown in [Figure 2-4](#).

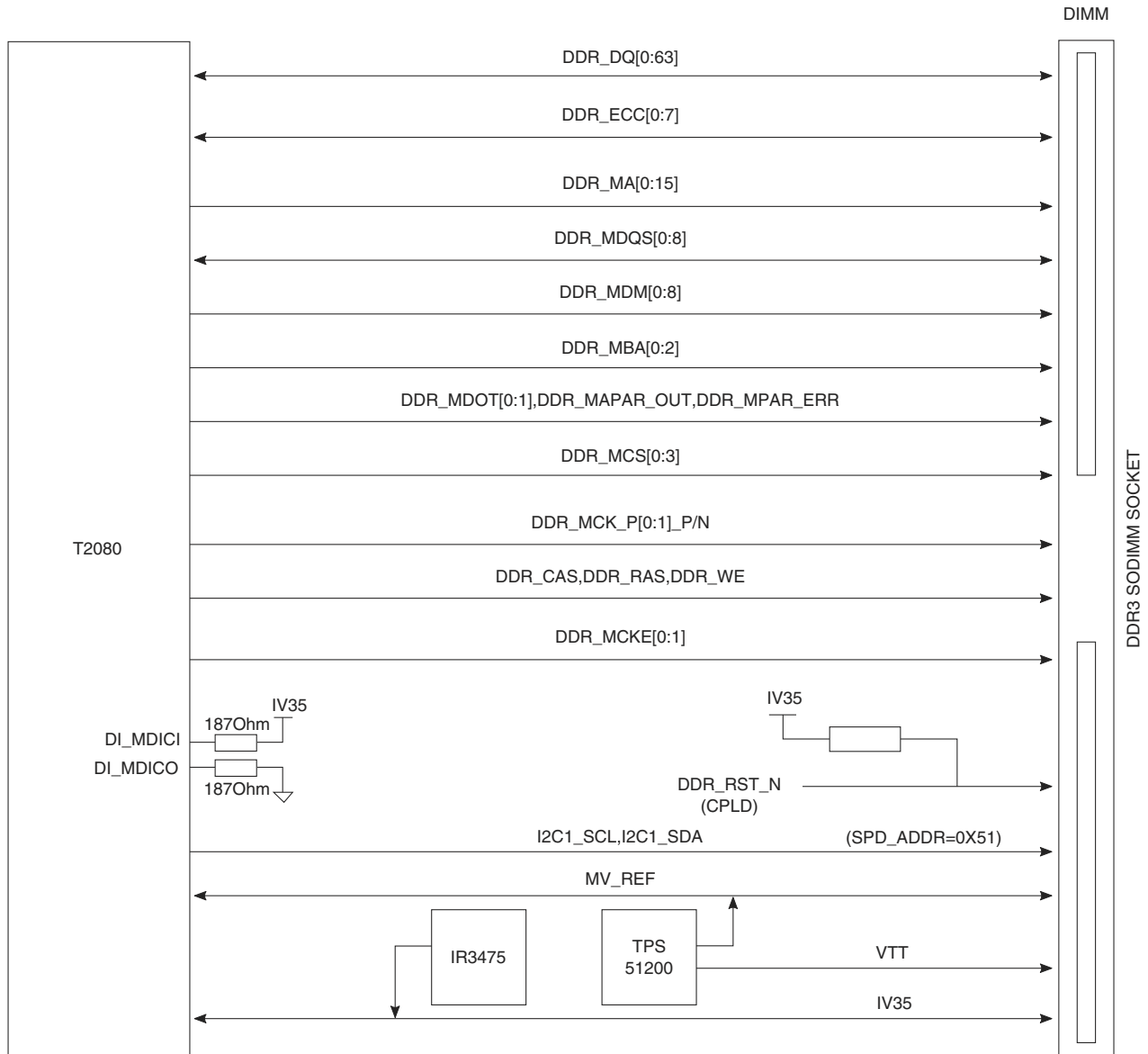


Figure 2-4. Memory interface

2.6 SerDes port

The T2080 SerDes block provides 16 high-speed serial communication lanes, supporting a variety of protocols, including:

serDes port

- SGMII 1.25 / 3.125 Gbps
- PCI Express (PEX) Gen 1 1X / 2X / 4X 2.5 Gbps
- PCI Express (PEX) Gen 2 1X / 2X / 4X 5 Gbps
- SATA 1X 1.5 / 3 Gbps

The T2080 additionally supports these protocols:

- PCI Express (PEX) Gen 3 1X 8 Gbps
- XFI 1X 10.3125 Gbps

An overview of the SerDes protocols, which are supported on the T2080RDB is shown in [Table 2-2](#).

Table 2-2. SerDes protocols

SERDES1						
SRDS_PRTCL_S1	A	B	C	D	E	Per Lane PLL Mapping
66	XFI9	XFI10	XFI1	XFI2	PCle4	1111 2222

SERDES2						
SRDS_PRTCL_S2	A	B	C	D	E	Per Lane PLL Mapping
16	PCle1	PCle2	PCle2	SATA1	SATA2	1111 1122

[Figure 2-5](#) shows the SerDes distribution of T2080RDB-PA.

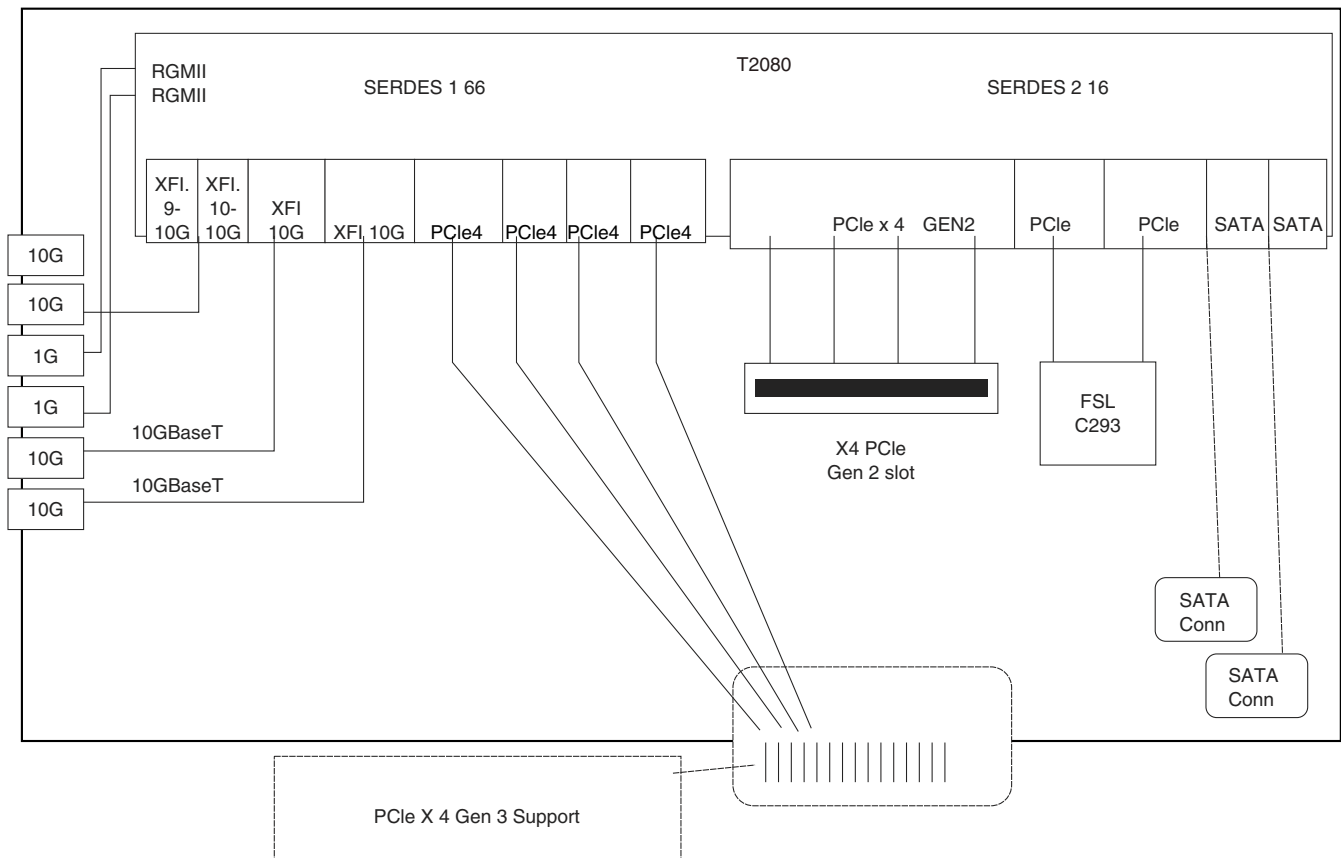


Figure 2-5. SerDes distribution of T2080RDB-PA

2.6.1 PCI Express support

T2080RDB-PA supports PCIe x4 Gen 3 for golden finger and PCIe x4 Gen-2 for slot.

2.6.2 XFI 10G optics port support

T2080 supports evaluation of the XFI protocol using Cortina CS4315 dual port 10G CDR. 10G data is carried over the XFI interface. [Figure 2-6](#) shows the connectivity of XFI interface.

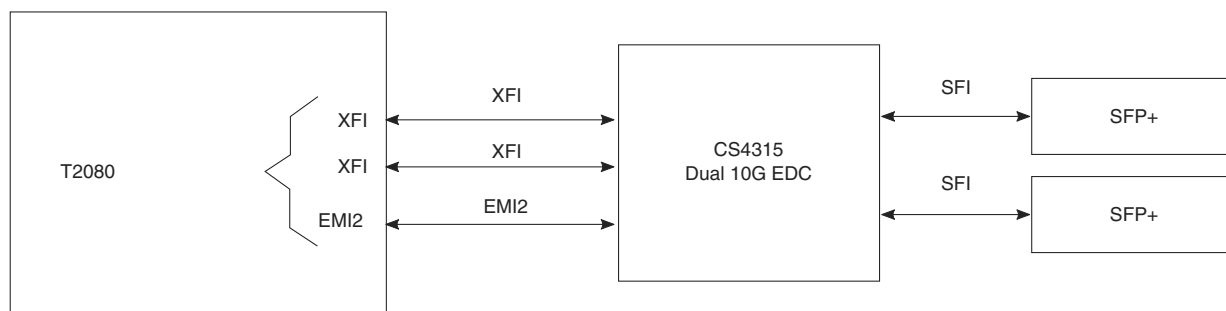


Figure 2-6. XFI interface

2.6.3 XFI 10G Base-T port support

T2080 only supports evaluation of the XFI protocol using Aquantia AQ1202 dual port 10G Base-T PHY. 10G data is carried over the XFI interface. [Figure 2-7](#) shows the connectivity of XFI interface.

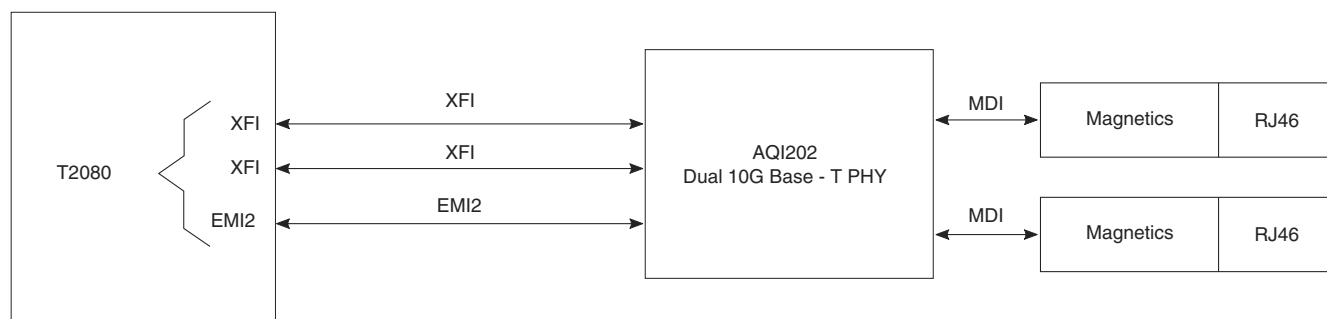


Figure 2-7. XFI interface

2.6.4 SATA support

SATA is evaluated using the two on-board SATA headers, by selecting a SATA-supporting SerDes protocol.

2.7 Ethernet controllers

The T2080 supports two Ethernet Controllers (EC), which can connect to Ethernet PHYs using MII or RGMII protocols. On the T2080RDB-PA, the EC1 and EC2 ports only operate in RGMII mode. Both ports connect to Realtek RTL8211 PHYs.

[Figure 2-8](#) shows the connectivity of EC1/EC2 interface.

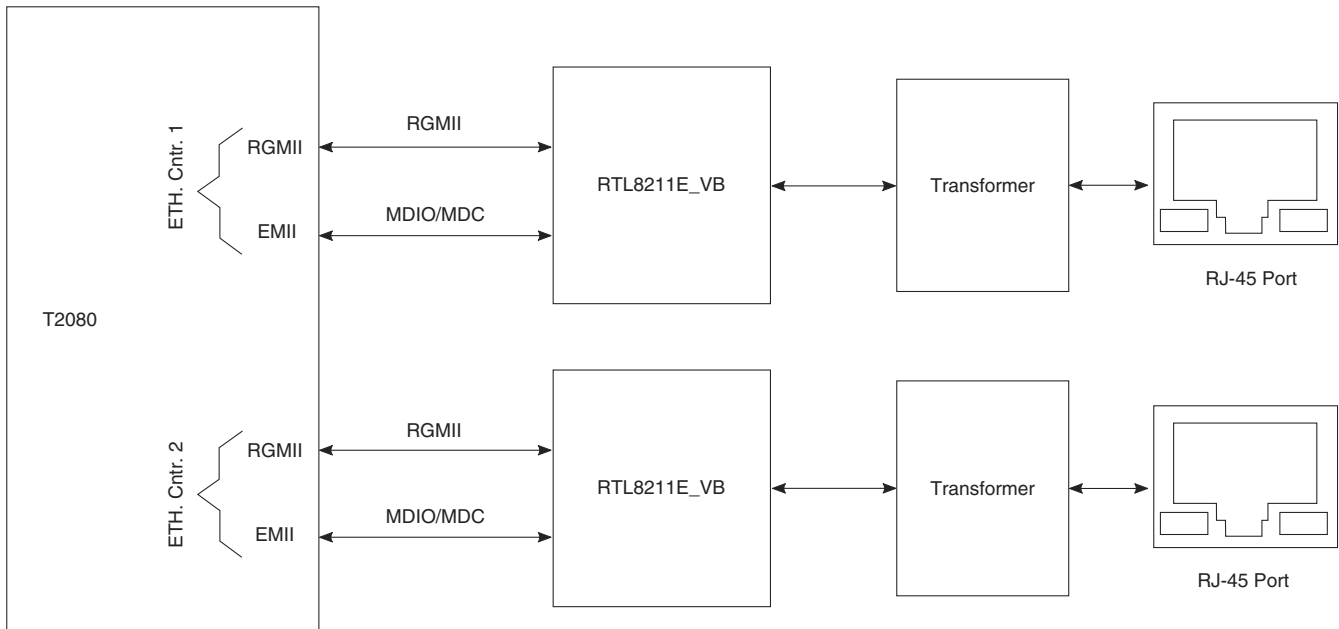


Figure 2-8. EC1/EC2 interface connectivity

2.8 Ethernet Management Interface (EMI)

The T2080 has two Ethernet Management Interfaces (EMI), both are powered from LVDD, however EMI2 is only used with XFI-based PHYs, which uses 1.2V pull-up. EMI1 is used with all other non-XFI-based PHYs, including the on-board RGMII PHYs. [Figure 2-9](#) shows the EMI HW block.

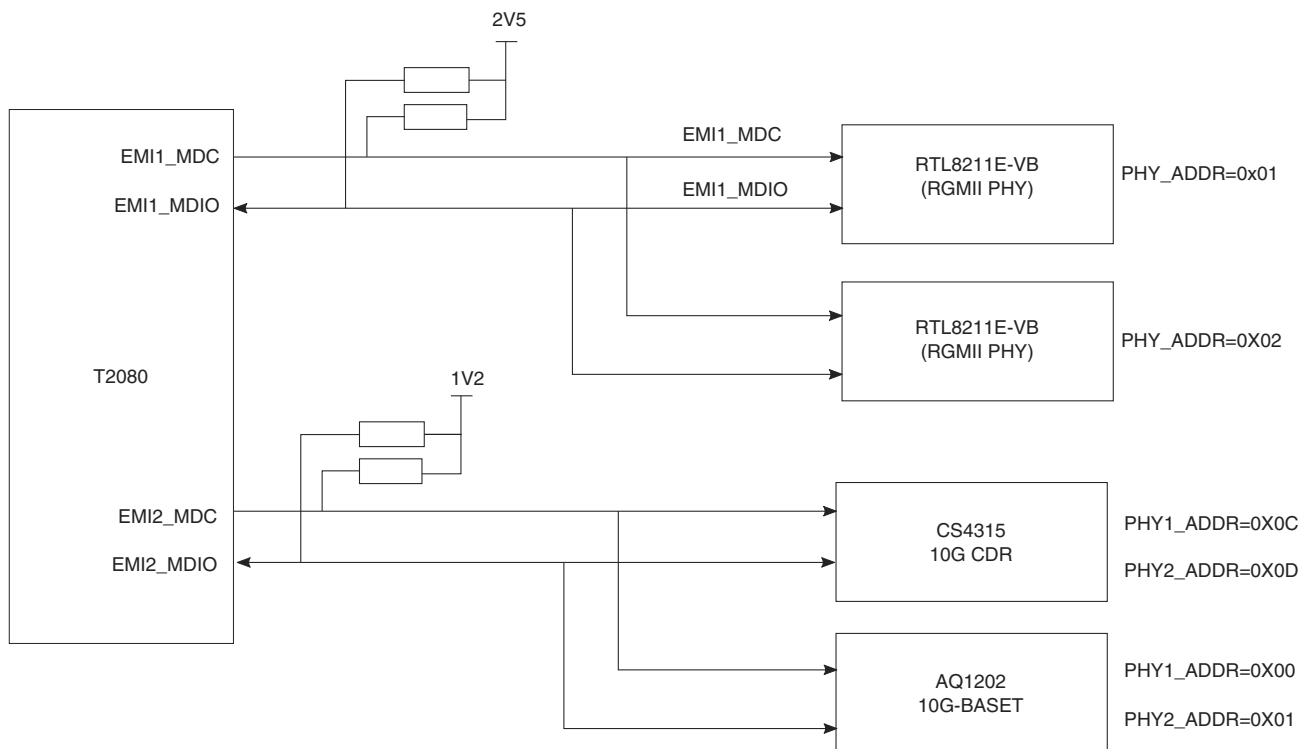


Figure 2-9. EMI HW block

2.9 I2C

The T2080 devices supports up to four I2C buses, in order to make the I2C resources equally available to both local and remote systems. The T2080RDB-PA uses I2C1 port to access on-board devices, such as DDR3 DIMM, RTC, I2C EEPROM, clock generator, thermal sensor (ADT7481), and core power regulator (IR36021). The I2C2 bus uses multiplexers to partition the I2C bus into several sub-buses, called channels. Two SFP+ optics use channel 0-1 and the PCIe SLOT use channel 3.

Figure 2-10 shows the I2C subsystem.

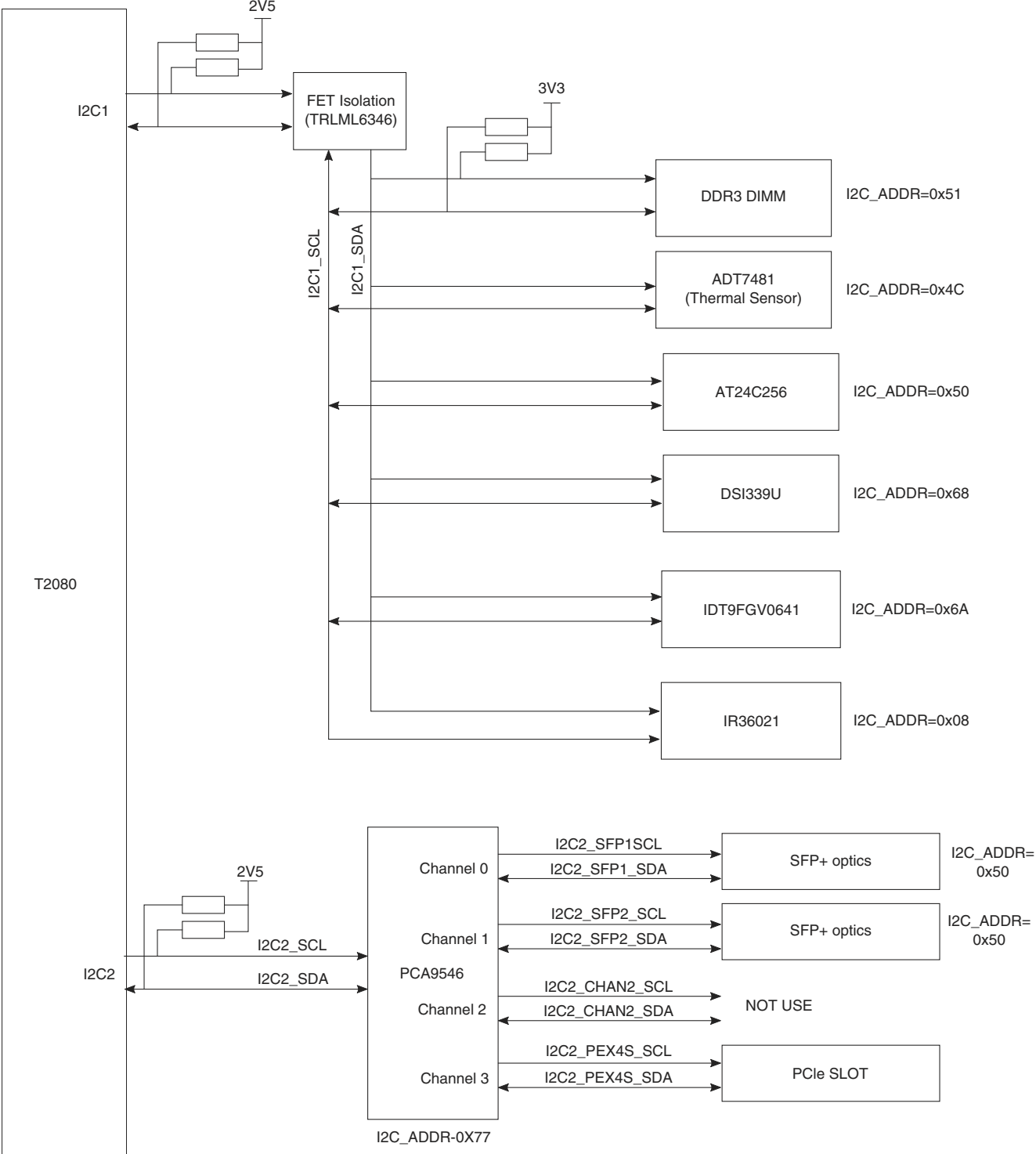


Figure 2-10. I2C subsystem

2.10 SPI interface

The T2080RDB-PA Serial Peripheral Interface (SPI) pins is only used for on-board SPI device accessing various SPI memory devices.

2.11 Local bus

The T2080 Integrated Flash Controller (IFC), also known as the local bus, supports 32-bit addressing and 8 or 16-bit data widths for a variety of devices to effectively manage all these resources with the maximum amount of performance and flexibility. [Figure 2-11](#) shows an overview of the IFC bus.

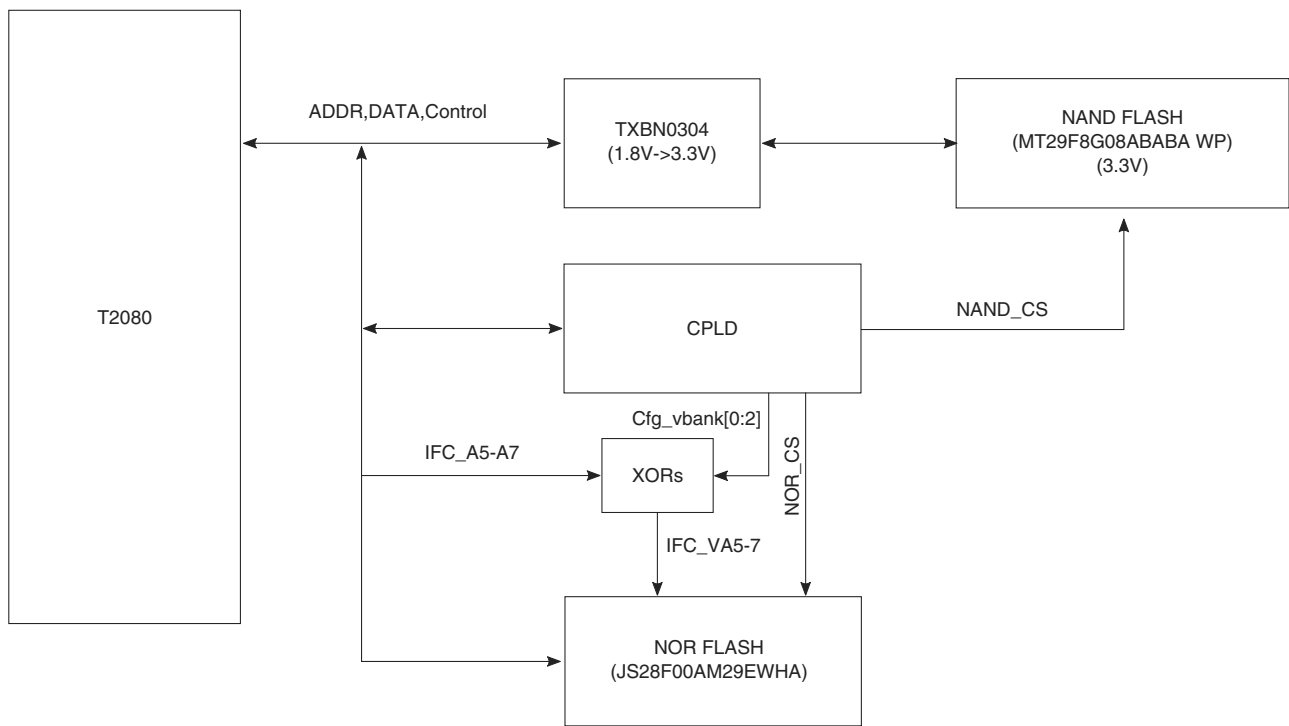


Figure 2-11. IFC bus

2.12 SDHC interface

The enhanced SD Host Controller (eSDHC) provides an interface between host system and SD cards. The Secure Digital (SD) card is specifically designed to meet the security, capacity, performance, and environmental requirements, inherent in emerging audio and video consumer electronic devices. Booting from eSDHC interface is supported using the processor's on-chip ROM.

On T2080RDB-PA, a single connector is used for MicroSD memory cards, as shown in Figure 2-12.

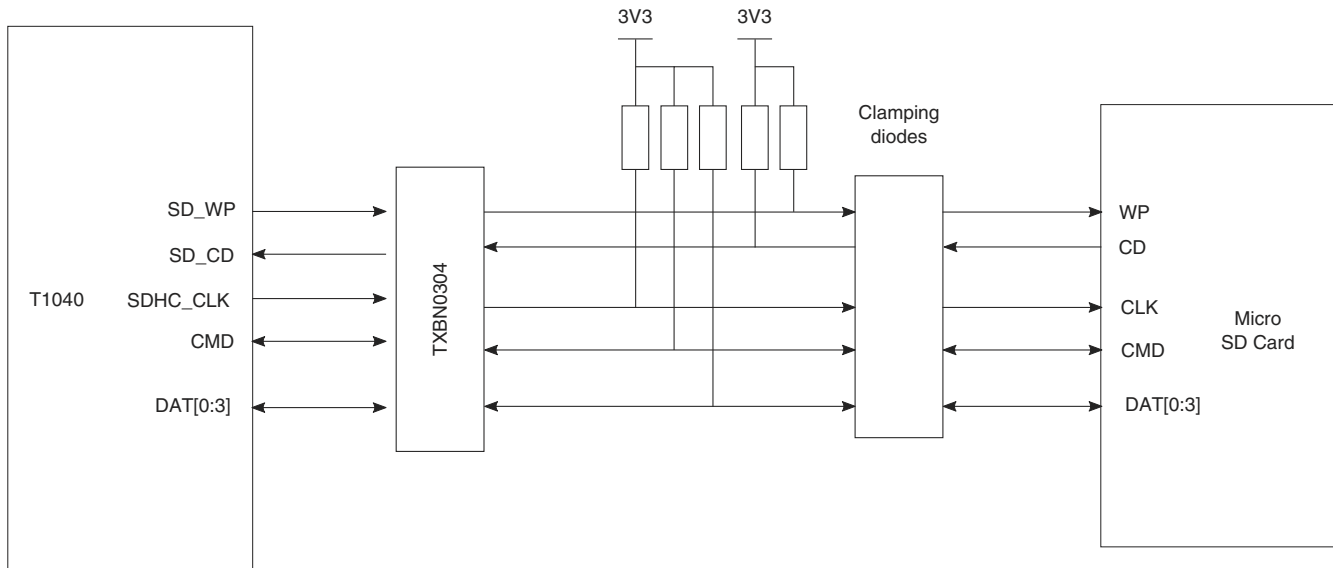


Figure 2-12. SDHC interface

2.13 USB interface

The T2080RDB-PA systems have two integrated USB 2.0 controllers, that allow direct connection to USB ports with appropriate protection circuitry and power supplies.

The board features are:

- High speed (480Mbps), full-speed (12Mbps), and low-speed (1.5Mbps) operation
- Host mode
- Dual stacked Type A connection

The USB ports connect to a standard Type A connector (USB1 and USB2) for compatibility with most USB peripherals.

Power for the ports is provided by a MIC2506YM, which supplies 5V at up to 1A per port. The power enable and power-fault-detect pins are connected directly to the T2080 for individual port management.

Figure 2-13 shows how the USB connectivity is implemented on the T2080RDB-PA.

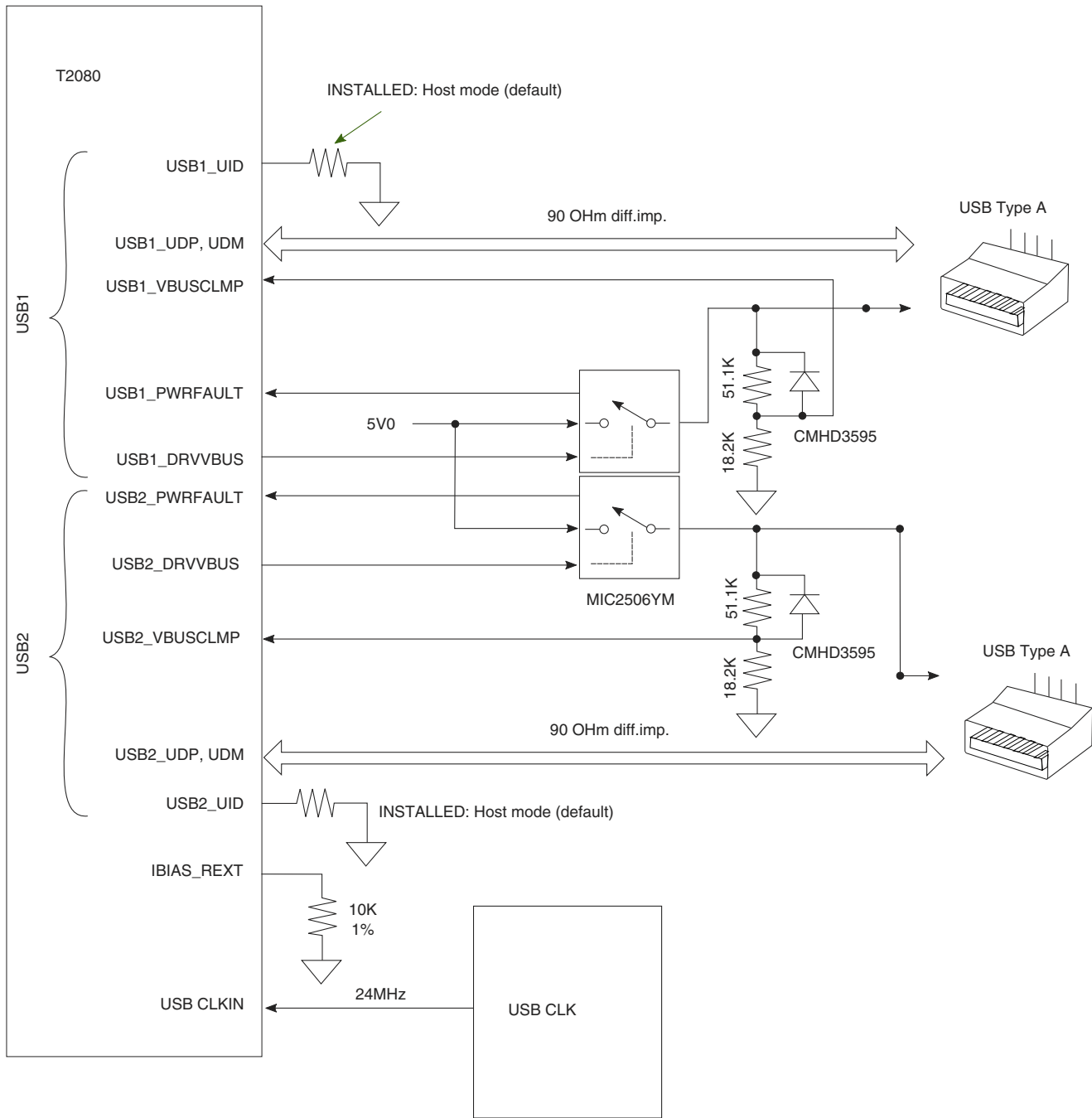


Figure 2-13. USB connectivity implementation

2.14 RS-232

The T2080 processor has two UART controllers, which provides an RS-232 standard interconnection between the board and an external host. The serial connection is typically configured to run at 11.5Kbps.

Each UART supports:

- Full-duplex operation.
- Software-programmable baud generators.
- Software-selectable serial interface data format, that includes:
 - Data length
 - Parity
 - 1/1.5/2 STOP bit
 - Baud rate
- Overrun, parity, and framing error detection.

The UART ports are routed to 3PIN connectors, as shown in [Figure 2-14](#).

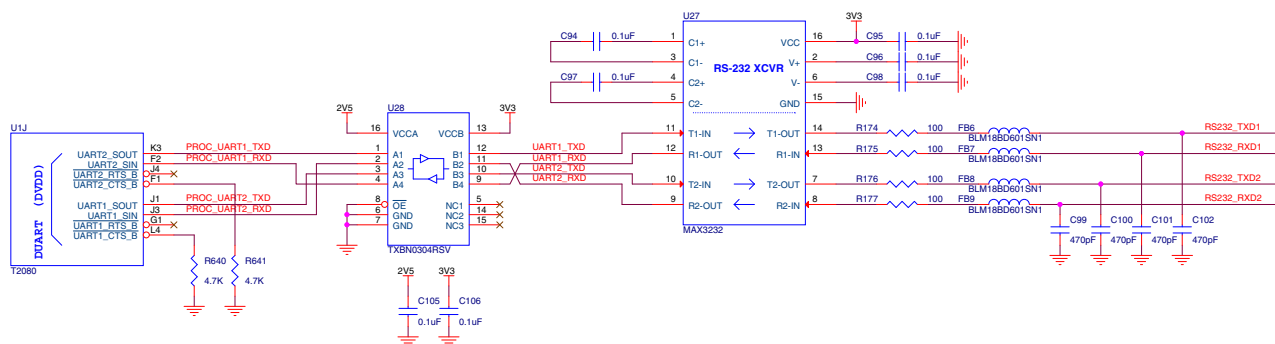


Figure 2-14. UART ports, routed to 3PIN connectors

[Table 2-3](#) shows the connection setting for the UART 3pin connector to DB9 female cable connection.

Table 2-3. RJ45 to DB9 connection setting

3PIN connector	RS-232 signal	DB9 female pin number
1	TXD	2
2	GND	5
3	RXD	3

Before powering up the T2080RDB card, configure the serial port of the attached computer with the following values:

- Data rate: 115200 bps
- Number of data bits: 8
- Parity: None
- Number of stop bits: 1
- Flow control: Hardware/None

2.15 JTAG/COP port

The common on-chip processor (COP) is a part of the T2080's JTAG module and is implemented as a set of additional instructions and logic. This port can connect to a dedicated emulator for extensive system debugging. Several third-party emulators in the market can connect to the host computer through the Ethernet port, USB port, parallel port, or RS-232. A typical setup using a USB port emulator is shown in [Figure 2-15](#).

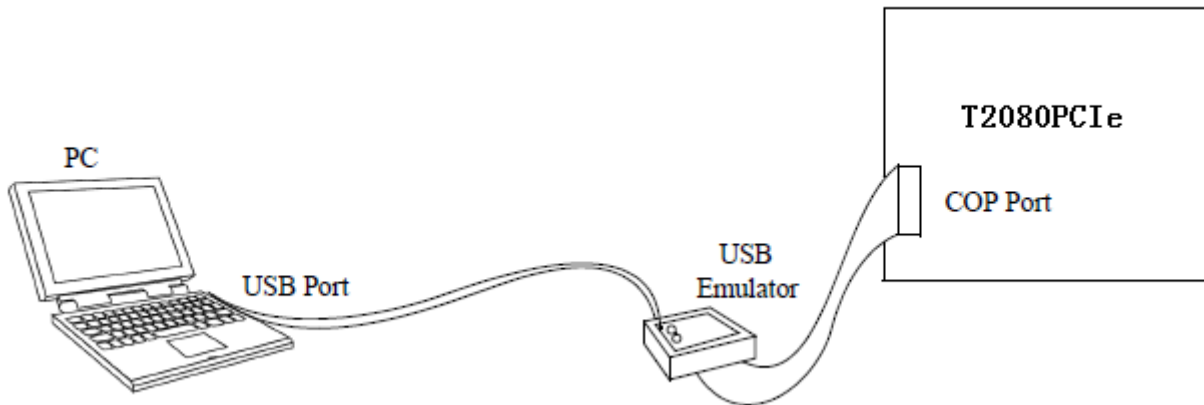


Figure 2-15. USB port emulator setup

The 16-pin generic header connector carries the COP/JTAG signals and the additional signals for system debugging. The pin-out of this connector is shown in [Figure 2-16](#).

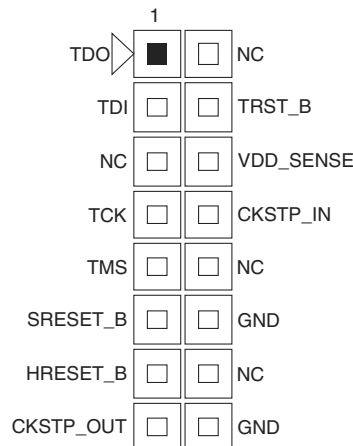


Figure 2-16. 16-pin connector

Table 2-4 displays the connections made from the T2080RDB-PA COP Connector.

Table 2-4. Connections made from the T2080RDB-PA COP connector

Pin no.	Signal name	Connection
1	TDO	Connected directly between the processor and JTAG/COP connector.
2	NC	Not connected.
3	TDI	Connected directly between the processor and JTAG/COP connector.
4	TRST	Routed to the RESET PLD. TRST to the processor is generated from the PLD.
5	NC	Not connected.
6	VDD_SENSE	Pulled to 3.3V using a 10 Ohm resistor.
7	TCK	Connected directly between the processor and JTAG/COP connector.
8	CKSTP_IN	Connected directly between the processor and JTAG/COP connector.
9	TMS	Connected directly between the processor and JTAG/COP connector.
10	NC	Not connected.
11	SRESET	Routed to the RESET PLD. SRESET to the processor is generated from the PLD.
12	GND	Connected to guard.
13	HRESET	Routed to the RESET PLD. HRESET to the processor is generated from the PLD.
14	KEY	Not connected.
15	CKSTP_OUT	Connected directly between the processor and JTAG/COP connector.
16	GND	Connected to guard.

2.16 Connectors, Headers, Jumper, Push buttons, and LEDs

This section explains:

- [Connectors](#)
- [Headers](#)
- [Jumper](#)
- [Push buttons](#)
- [LEDs](#)

2.16.1 Connectors

Table 2-5 lists the various connectors on the T2080RDB-PA platform.

Table 2-5. Connectors on the T2080RDB-PA platform

Reference designators	Used for	Notes
J28	6-PIN EPS connector	-
J2	Micro SD card	-

Table continues on the next page...

Table 2-5. Connectors on the T2080RDB-PA platform (continued)

Reference designators	Used for	Notes
J20	PCIe x4 SLOT	Intended use is for PCIe cards that are 25W or less.
J21, J22	SATA	-
J43	TDM Riser card	-
J36, J37	Ethernet ports	RGMII -> Copper
J17, J18	Ethernet ports	10G Base-T
J13, J15	Ethernet ports	10G optics
J41	Dual Type A USB	-
J35 (2 ports)	UART	-
J8	Battery holder	-
J1	SODIM	-
J22, J23	FXS ports	-
J24	FXO port	-
J34	CPU FAN	-
J33, J44-J46	Shelf FAN	-

2.16.2 Headers

Table 2-6 lists the various headers on the T2080RDB-PA platform.

Table 2-6. Headers on the T2080RDB-PA platform

Reference designators	Used for	Notes
J24	Altera Header	Used for programming the Altera CPLD devices.
J26	IR36021 Header	Used for programming the IR36021.
J3	COP/JTAG	Used for debugging the T2080.

2.16.3 Jumper

Table 2-7 describes how the push Jumper is used on the T2080RDB-PA platform.

Table 2-7. Jumper on the T2080RDB-PA platform

Reference designator	Description	Status 1	Status 2
J29	Battery selection for VDD_LP source.	Mounted: Battery acts as a VDD_LP input source.	Un-mounted: Battery is disconnected.
J30	Tamper detection pin powered selection.	1-2: Tamper detection pin is powered on.	2-3: Tamper detection pin is powered off.

Table continues on the next page...

Table 2-7. Jumper on the T2080RDB-PA platform (continued)

Reference designator	Description	Status 1	Status 2
J9	PROG_SFP selection.	Mounted : Fuse programming.	Un-mounted: Normally operate.
J25	NOT Used	-	-

2.16.4 Push buttons

Table 2-8 describes how the push button is used on the T2080RDB-PA platform.

Table 2-8. Push buttons on T2080RDB-PA platform

Reference designators	Used for	Notes
SW5	Reset	Used for resetting the whole board.
SW4	Power on/off	Used for turning the power on or off.

2.16.5 LEDs

Table 2-9 lists all the LEDs on the T2080RDB-PA front plate.

Table 2-9. LEDs on the T2080RDB-PA front plate

LEDs	Used for	Controlled by
D12	Power on	+3.3V rail
D4	SFP1_LED0	CPLD
D5	SFP1_LED1	CPLD
D6	SFP2_LED0	CPLD
D7	SFP2_LED1	CPLD

2.17 Temperature

The T2080 has a thermal diode attached to the die, allowing direct temperature measurement. These pins are connected to an ADT7481 3 channel thermal monitor, one channel monitors T2080 and another channel monitors C29x, which allows direct reading of the temperature of the die and is accurate to ± 1 °C. The third channel of the ADT7481 measures the ambient (board) temperature.

The ADT7481 temperature warning and alarm signals are connected to the CPLD for monitoring. CPLD uses these signals to adjust CPU FAN speed and protect the CPU from over-temperature failure.

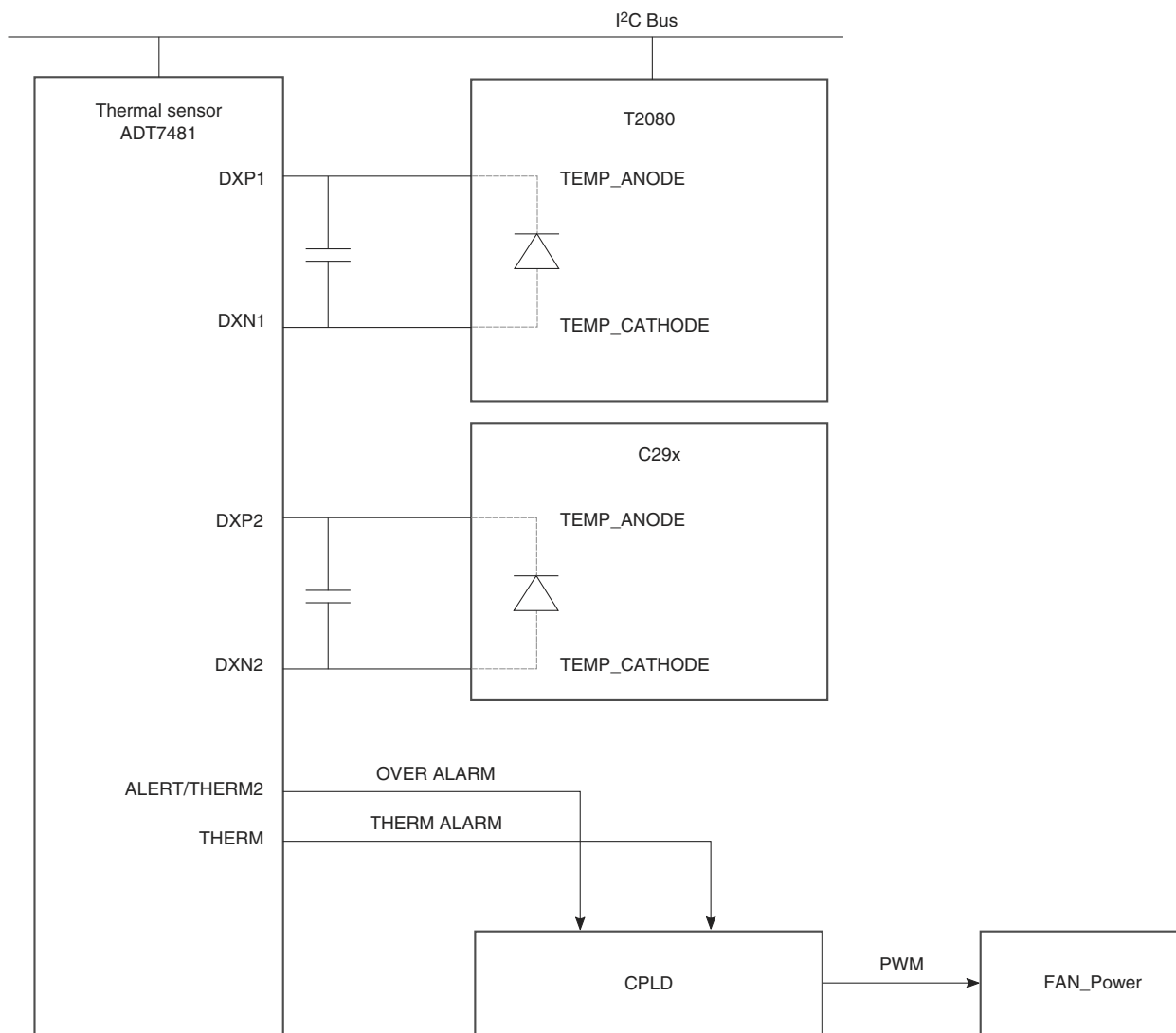


Figure 2-17. Temperature

2.18 DIP switch definition

The T2080RDB-PA board has user selectable switches, for evaluating different boot configuration and other special configuration for this device.

This configuration allows either the switch or the CPLD register to set the POR pin. The CPLD register allows software to override the pin remotely when the board is in the board farm.

In order to use the CPLD override option, software sets an override bit, that allows the CPLD to override the switch setting during power on reset.

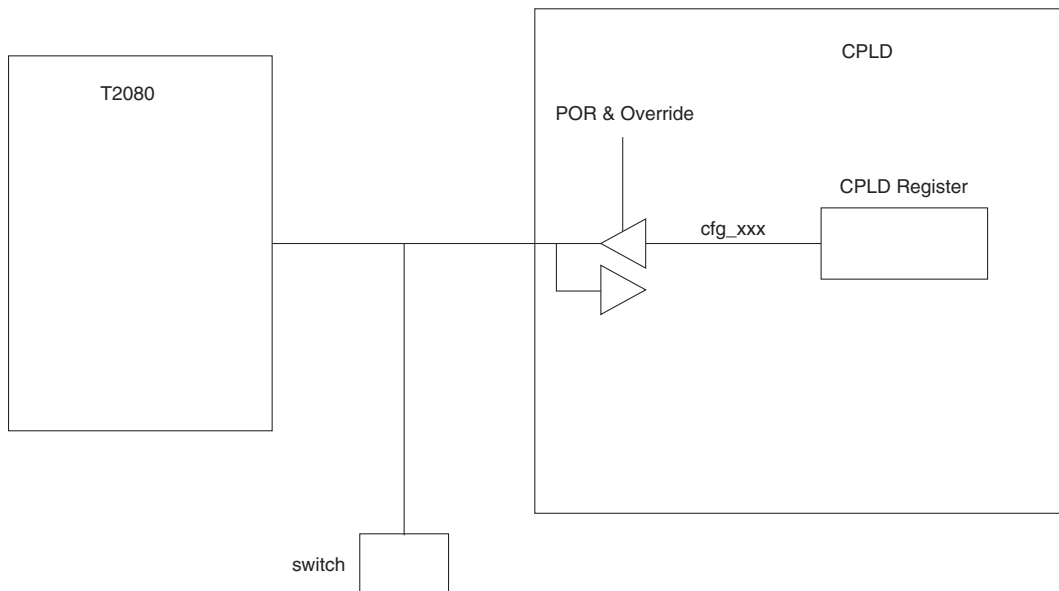


Figure 2-18. DIP switch definition

Table 2-10 shows how POR configuration is done through switches.

Table 2-10. POR configuration through switches

Switch	Signal name	Pin name	Signal meaning	Setting
SW1[1:8]	cfg_rcw_src[0:7]	IFC_AD[8:15]	Reset Configuration word source	For details, see <i>T2080 QorIQ Integrated Multicore Communications Processor Data Sheet</i> (document T2080).
SW2[1]	cfg_rcw_src[8]	IFC_CLE	Reset Configuration word source	For details, see <i>T2080 QorIQ Integrated Multicore Communications Processor Data Sheet</i> (document T2080).
SW2[2]	cfg_ifc_te	IFC_TE	IFC external transceiver enable polarity select	0: IFC drives logic 1 for TE assertion 1: IFC drives logic 0 for TE assertion
SW2[3]	cfg_pll_config_sel_b	IFC_A18	Reserved	Reserved
SW2[4]	cfg_por_ainit	IFC_A19	Reserved	Reserved
SW2[5:6]	cfg_svr[0:1]	IFC_A[16:17]	Reserved	Reserved
SW2[7]	cfg_dram_type	IFC_A21	DRAM type selection	1: DDR3L(1.35V)
SW2[8]	cfg_rsp_dis	IFC_AVD	Reserved	Reserved
SW3[1]	cfg_eng_use0	IFC_WE0	Sys_clock selection	0: Differential sys_clk is selected 1: Single sys_clk is selected
SW3[2:3]	cfg_eng_use[1:2]	Reserved	Reserved	-

Table continues on the next page...

Table 2-10. POR configuration through switches (continued)

Switch	Signal name	Pin name	Signal meaning	Setting
SW3[4]	BOOT_FLASH_SEL	-	Boot flash selection	See note ¹
SW3[5:7]	CFG_VBANK[0:2]	-	NOR flash bank select	See note ²
SW3[8]	TEST_SEL_N	TEST_SEL_B	-	1:T2080

1. For SW3[4]: BOOT_FLASH_SEL, it can act as boot flash selection, when BOOT_FLASH_SEL=1, NOR FLASH is boot FLASH, or NAND FLASH is boot FLASH.
2. SW3[5:7] can be used to change the starting address for the memory banks. The NOR FLASH memory is divided into eight memory banks with 16MB size each. Eight different U-Boot image can be programmed into each memory bank. When NOR FLASH is selected as boot flash (CS0 is connected to NOR FLASH by setting SW3[4] to ON, RCW[0:8] is set to 0_0111_xxxx using SW1[1:8] and SW2[1]), different U-Boot image can be selected to boot up the board, by setting SW3[5:7].

For other DIP switch setting and definition, see *T2080 QorIQ Integrated Multicore Communications Processor Data Sheet* (document T2080).

Chapter 3

CPLD Specification

This section explains the CPLD registers.

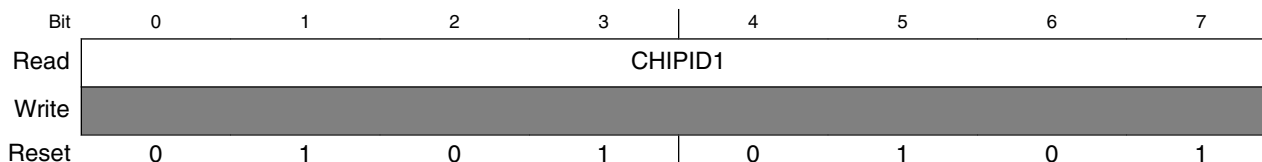
3.1 CPLD Memory Map

CPLD memory map

Offset address (hex)	Register name	Width (in bits)	Access	Reset value	Section/page
0	Chip ID1 register (CHIPID1)	8	R	55h	3.1.1/37
1	Chip ID2 register (CHIPID2)	8	R	AAh	3.1.2/38
2	Hardware version register (HWVER)	8	R	See section	3.1.3/38
3	Software version register (SWVER)	8	R	See section	3.1.4/39
10	Reset control register (RSTCON)	8	w1c	See section	3.1.5/39
11	Flash control and status register (FLHCSR)	8	R/W	See section	3.1.6/40
12	Thermal control and status register (THMCSR)	8	R/W	See section	3.1.7/40
13	Panel LED control and status register (LEDCSR)	8	R/W	See section	3.1.8/41
14	SFP+ control and status register (SFPCSR)	8	R/W	See section	3.1.9/41
15	Miscellanies control and status register (MISCCSR)	8	R/W	See section	3.1.10/42
16	Boot configuration override register (BOOTOR)	8	R/W	See section	3.1.11/43
17	Boot configuration register 1 (BOOTCFG1)	8	R/W	See section	3.1.12/43
18	Boot configuration register 2 (BOOTCFG2)	8	R/W	See section	3.1.13/43

3.1.1 Chip ID1 register (CHIPID1)

Address: 0h base + 0h offset = 0h

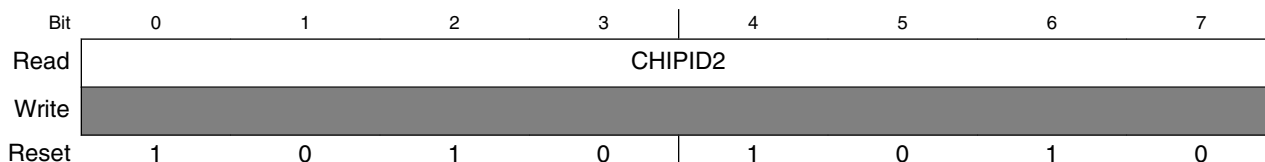


CHIPID1 field descriptions

Field	Description
0-7 CHIPID1	0x55, Identification of the CPLD image.

3.1.2 Chip ID2 register (CHIPID2)

Address: 0h base + 1h offset = 1h



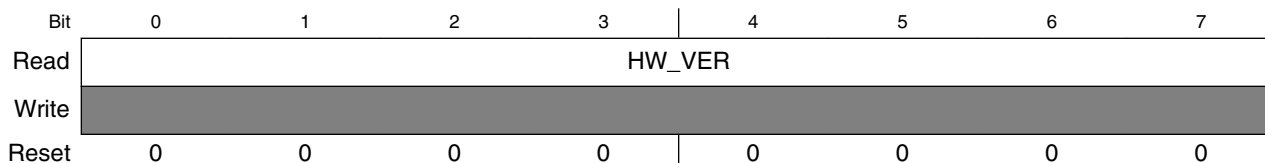
CHIPID2 field descriptions

Field	Description
0-7 CHIPID2	0xaa, Identification of the CPLD image.

3.1.3 Hardware version register (HWVER)

Hardware version register.

Address: 0h base + 2h offset = 2h



HWVER field descriptions

Field	Description
0-7 HW_VER	The version field of the hardware board.

3.1.4 Software version register (SWVER)

Address: 0h base + 3h offset = 3h

Bit	0	1	2	3	4	5	6	7
Read	SW_VER							
Write								
Reset	0	0	0	0	0	0	0	0

SWVER field descriptions

Field	Description
0–7 SW_VER	The version field of the CPLD software.

3.1.5 Reset control register (RSTCON)

Address: 0h base + 10h offset = 10h

Bit	0	1	2	3	4	5	6	7
Read	SW_RST	C293_RST	Reserved	EC1_RST	EC2_RST	EDC_RST	XGT_RST	PEX_RST
Write	w1c	w1c		w1c	w1c	w1c	w1c	w1c
Reset	0	0	0	0	0	0	0	0

RSTCON field descriptions

Field	Description
0 SW_RST	0: No reset occurs. 1: Writing logic 1 will produce whole board reset# signal, this bit can auto clear.
1 C293_RST	0: No reset occurs. 1: Writing logic 1 will produce C293 co-processor reset# signal, this bit can auto clear.
2 -	This field is reserved.
3 EC1_RST	0: No reset occurs. 1: Writing logic 1 will produce RGMII PHY1(RTL82111E-VB) reset# signal, this bit can auto clear.
4 EC2_RST	0: No reset occurs. 1: Writing logic 1 will produce RGMII PHY2(RTL82111E-VB) reset# signal, this bit can auto clear.
5 EDC_RST	0: No reset occurs. 1: Writing logic 1 will produce 10G EDC PHY(CS4315) reset# signal, this bit can auto clear.
6 XGT_RST	0: No reset occurs. 1: Writing logic 1 will produce 10G Base-T PHY(AQ1202) reset# signal, this bit can auto clear.
7 PEX_RST	0: No reset occurs 1: Writing logic 1 will produce PCIe x4 slot reset# signal, this bit can auto clear.

3.1.6 Flash control and status register (FLHCSR)

Address: 0h base + 11h offset = 11h

Bit	0	1	2	3	4	5	6	7
Read	BOOT_SEL	BANK_OR	SW_BANK_SEL0	SW_BANK_SEL1	SW_BANK_SEL2	BANK_SEL0	BANK_SEL1	BANK_SEL2
Write								
Reset	n	0	n	n	n	0	0	0

FLHCSR field descriptions

Field	Description
0 BOOT_SEL	0: Boot from 16bit NOR flash. 1: Boot from 8bit NAND flash.
1 BANK_OR	0: NOR flash bank select from CPLD override disable. 1: NOR flash bank select from CPLD override enable.
2 SW_BANK_SEL0	NOR flash bank select bit0 of switch status is 0. 1: NOR flash bank select bit0 of switch status is 1.
3 SW_BANK_SEL1	0: NOR flash bank select bit1 of switch status is 0. 1: NOR flash bank select bit1 of switch status is 1.
4 SW_BANK_SEL2	0: NOR flash bank select bit2 of switch status is 0. 1: NOR flash bank select bit2 of switch status is 1.
5 BANK_SEL0	0: NOR flash bank select bit0 set 0. 1: NOR flash bank select bit0 set 1.
6 BANK_SEL1	0: NOR flash bank select bit1 set 0. 1: NOR flash bank select bit1 set 1
7 BANK_SEL2	0: NOR flash bank select bit2 set 0. 1: NOR flash bank select bit2 set 1.

3.1.7 Thermal control and status register (THMCSR)

Address: 0h base + 12h offset = 12h

Bit	0	1	2	3	4	5	6	7
Read	THM_FAULT	THM_ALERT	Reserved		FAN_PWM			
Write								
Reset	n	n	0	0	1	1	1	1

THMCSR field descriptions

Field	Description
0 THM_FAULT	0: Thermal sensor no fault occurs. 1: Thermal sensor fault output.
1 THM_ALERT	0: Thermal sensor no alert occurs. 1: Thermal sensor alert output.
2-3 -	This field is reserved.
4-7 FAN_PWM	0000: PWM duty cycle is 0%, fan stop running. 0001 - 1110: PWM duty cycle is 6.7% - 93.3%, fan speed control. 1111: PWM duty cycle is 100%, fan full speed.

3.1.8 Panel LED control and status register (LEDCSR)

Address: 0h base + 13h offset = 13h

Bit	0	1	2	3	4	5	6	7
Read	STS_LED	Reserved						
Write								
Reset	0	0	0	0	0	0	0	0

LEDCSR field descriptions

Field	Description
0 STS_LED	0: Panel STATUS LED on. 1: Panel STATUS LED flash at 0.5s.
1-7 -	This field is reserved.

3.1.9 SFP+ control and status register (SFPCSR)

Address: 0h base + 14h offset = 14h

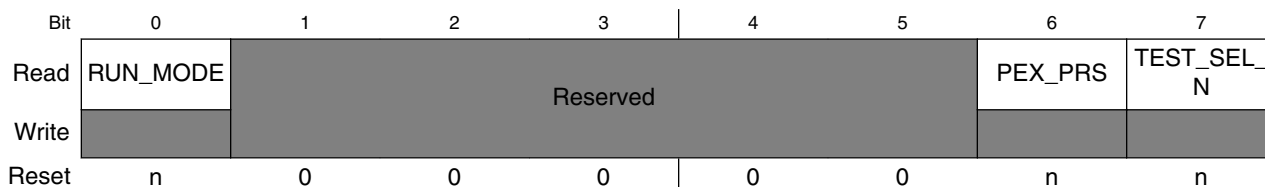
Bit	0	1	2	3	4	5	6	7
Read	SFP1_DET	SFP1_TXDIS	SFP1_RXLOS	SFP1_TXFAIL	SFP2_DET	SFP2_TXDIS	SFP2_RXLOS	SFP2_TXFAIL
Write								
Reset	n	0	n	n	n	0	n	n

SFPCSR field descriptions

Field	Description
0 SFP1_DET	0: SFP+1 module not inserted 1: SFP+1 module inserted
1 SFP1_TXDIS	0: SFP+1 TX enable 1: SFP+1 TX disable
2 SFP1_RXLOS	0: SFP+1 RX LOS logic 0 1: SFP+1 RX LOS logic 1(some SFP+ used as RXSD)
3 SFP1_TXFAIL	0: SFP+1 TX FAIL not occurs SFP+1 TX FAIL occurs
4 SFP2_DET	0: SFP+2 module not inserted 1: SFP+2 module inserted
5 SFP2_TXDIS	0: SFP+2 TX enable 1: SFP+2 TX disable
6 SFP2_RXLOS	0: SFP+2 RX LOS logic 0 1: SFP+2 RX LOS logic 1(some SFP+ used as RXSD)
7 SFP2_TXFAIL	0: SFP+2 TX FAIL not occurs 1: SFP+2 TX FAIL occurs

3.1.10 Miscellanies control and status register (MISCCSR)

Address: 0h base + 15h offset = 15h

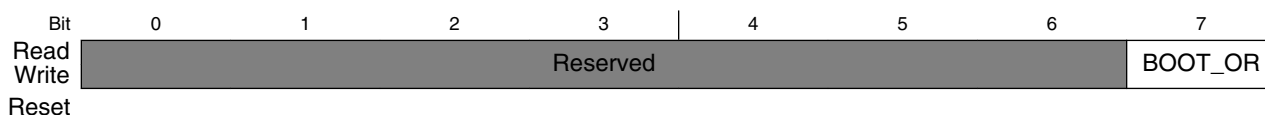


MISCCSR field descriptions

Field	Description
0 RUN_MODE	0: T2080RDB-PA runs as standalone mode 1: T2080RDB-PA runs as PCIe x4 add-in card
1-5 -	This field is reserved.
6 PEX_PRS	0: PCIe x4 card not present 1: PCIe x4 card present
7 TEST_SEL_N	0: TEST_SEL_N pin status is 0 1: TEST_SEL_N pin status is 1

3.1.11 Boot configuration override register (BOOTOR)

Address: 0h base + 16h offset = 16h

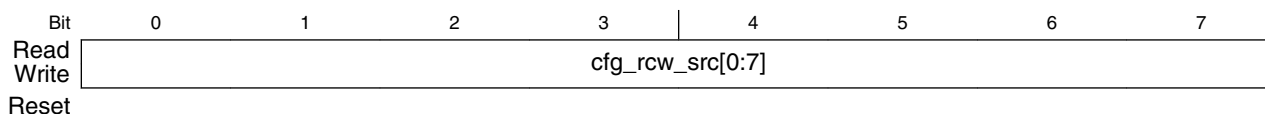


BOOTOR field descriptions

Field	Description
0–6 -	This field is reserved.
7 BOOT_OR	0: Boot configuration from CPLD override disable 1: Boot configuration from CPLD override enable

3.1.12 Boot configuration register 1 (BOOTCFG1)

Address: 0h base + 17h offset = 17h

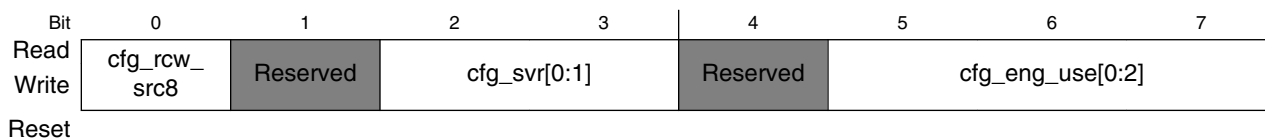


BOOTCFG1 field descriptions

Field	Description
0–7 cfg_rcw_src[0:7]	NOTE: For details, see T2080 QorIQ Integrated Multicore Communications Processor Data Sheet (document T2080).

3.1.13 Boot configuration register 2 (BOOTCFG2)

Address: 0h base + 18h offset = 18h



BOOTCFG2 field descriptions

Field	Description
0 cfg_rcw_src8	RCW source bit 8.
1 -	This field is reserved.
2-3 cfg_svr[0:1]	cfg_svr bits for Power-on Reset using.
4 -	This field is reserved.
5-7 cfg_eng_use[0:2]	cfg_eng_use bits for Power-on Reset using.

Appendix A

Revision history

Table A-1 summarizes revisions to this document.

Table A-1. Revision history

Revision	Date	Description
Rev. 0	04/2014	Initial public release.

How to Reach Us:

Home Page:

freescale.com

Web Support:

freescale.com/support

Information in this document is provided solely to enable system and software implementers to use Freescale products. There are no express or implied copyright licenses granted hereunder to design or fabricate any integrated circuits based on the information in this document. Freescale reserves the right to make changes without further notice to any products herein.

Freescale makes no warranty, representation, or guarantee regarding the suitability of its products for any particular purpose, nor does Freescale assume any liability arising out of the application or use of any product or circuit, and specifically disclaims any and all liability, including without limitation consequential or incidental damages. "Typical" parameters that may be provided in Freescale data sheets and/or specifications can and do vary in different applications, and actual performance may vary over time. All operating parameters, including "typicals," must be validated for each customer application by customer's technical experts. Freescale does not convey any license under its patent rights nor the rights of others. Freescale sells products pursuant to standard terms and conditions of sale, which can be found at the following address: freescale.com/SalesTermsandConditions.

Freescale, the Freescale logo, CodeWarrior, and QorIQ are trademarks of Freescale Semiconductor, Inc., Reg. U.S. Pat. & Tm. Off. All other product or service names are the property of their respective owners. The Power Architecture and Power.org word marks and the Power and Power.org logos and related marks are trademarks and service marks licensed by Power.org.

© 2014 Freescale Semiconductor, Inc. All rights reserved.

