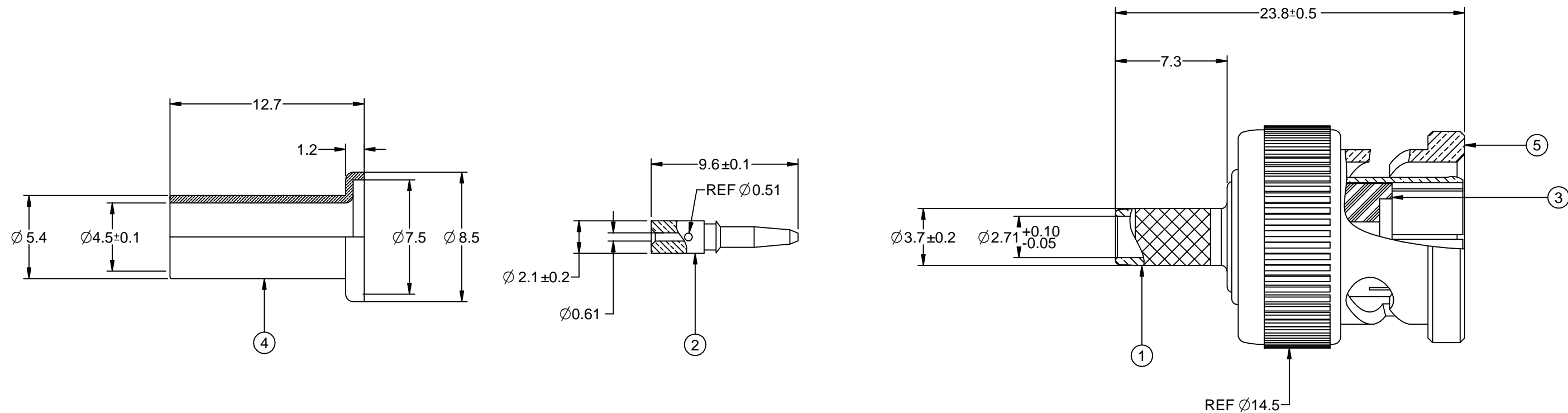


MODEL NUMBER	ITEM 1 BODY	ITEM 2 CONTACT	ITEM 3 INSULATOR	ITEM 4 CRMIP SLEEVE	ITEM 5 COUPLING NUT
CPMC7818	BRASS NICKEL PLATED	BRASS GOLD PLATED	TPX	BRASS NICKEL PLATED	BRASS NICKEL PLATED

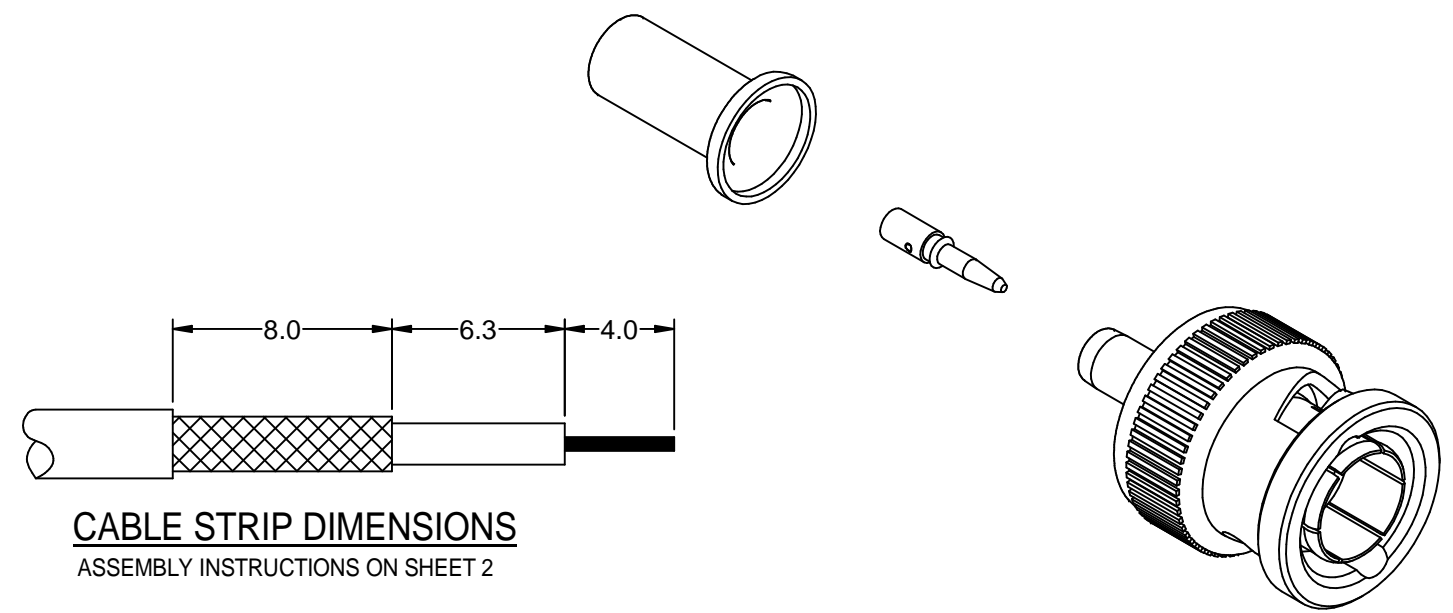
REV	ECO	DATE
001	N/A	2009/4/15
002	ECO-16-0090	2016/7/4



NOTES:

- ELECTRICAL SPECIFICATIONS**
 IMPEDANCE: 75 OHMS NOMINAL
 FREQUENCY RANGE: 0-2 GHz
 WORKING VOLTAGE: 500 Vrms MAX AT SEA LEVEL
 DIELECTRIC WITHSTANDING VOLTAGE: 1500 vrms AT SEA LEVEL
 CORONA LEVEL: 375 VOLTS MINIMUM AT 70,000 FEET
 CONTACT RESISTANCE: OUTER - NICKEL PLATED INITIAL 2.5 MILLIOHMS MAXIMUM
 AFTER ENVIRONMENTAL 3.5 MILLIOHMS MAXIMUM
 CENTER - INITIAL 3 MILLIOHMS MAXIMUM
 AFTER ENVIRONMENTAL 4 MILLIOHMS MAXIMUM
 BRAID TO BODY - 2.5 MILLIOHMS MAXIMUM (NICKEL PLATED),
 AFTER ENVIRONMENTAL NOT APPLICABLE
 INSULATION RESISTANCE: 5000 MEGOHMS MINIMUM
- MECHANICAL SPECIFICATIONS**
 DURABILITY: 500 CYCLES MIN
 CABLE ACCEPTABILITY: BELDEN 8218, 735A, MINI 75
 CABLE RETENTION: 20 lbs MIN
 THE MATERIAL OF CRIMP SLEEVE SHALL HAVE A MAXIMUM HARDNESS OF 85 VICKERS.
- ENVIRONMENTAL SPECIFICATIONS**
 RECOMMENDED TEMPERATURE RANGE: -55 °C TO +85 °C
 MOISTURE RESISTANCE: MIL-STD-202

- PRODUCT SHOULD BE RoHS COMPLIANCE.
- PACKAGING REQUIREMENT FOLLOWS ENGINEER DOCUMENT P/N 836-40200001XX



CABLE STRIP DIMENSIONS
 ASSEMBLY INSTRUCTIONS ON SHEET 2

	Model No.	CPMC7818	AIM-Cambridge	
	RoHS2	<input checked="" type="checkbox"/>	Cage Code	N/A
	2011/65/EU	<input checked="" type="checkbox"/>	3RD ANGLE PROJECTION	<input checked="" type="checkbox"/>
	<small>UNLESS OTHERWISE SPECIFIED: UNITS: METRIC X ± 0.5 X.X ± 0.3 X.XX ± 0.1 ANGLES ±1°00'</small>		Drawing No. CPMC7818	Rev. 002
<small>INTERPRET DRAWING IN ACCORDANCE WITH ASME Y14.5-2009</small>	Date:	2016/7/4	Size B	DO NOT SCALE DRAWING
	Drawn by:	Tony Tang	Workmanship Std. N/A	Sheet 1 of 1