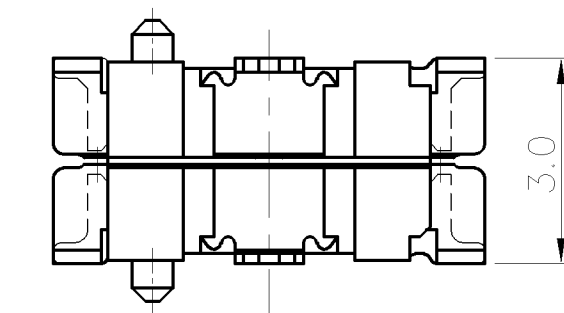
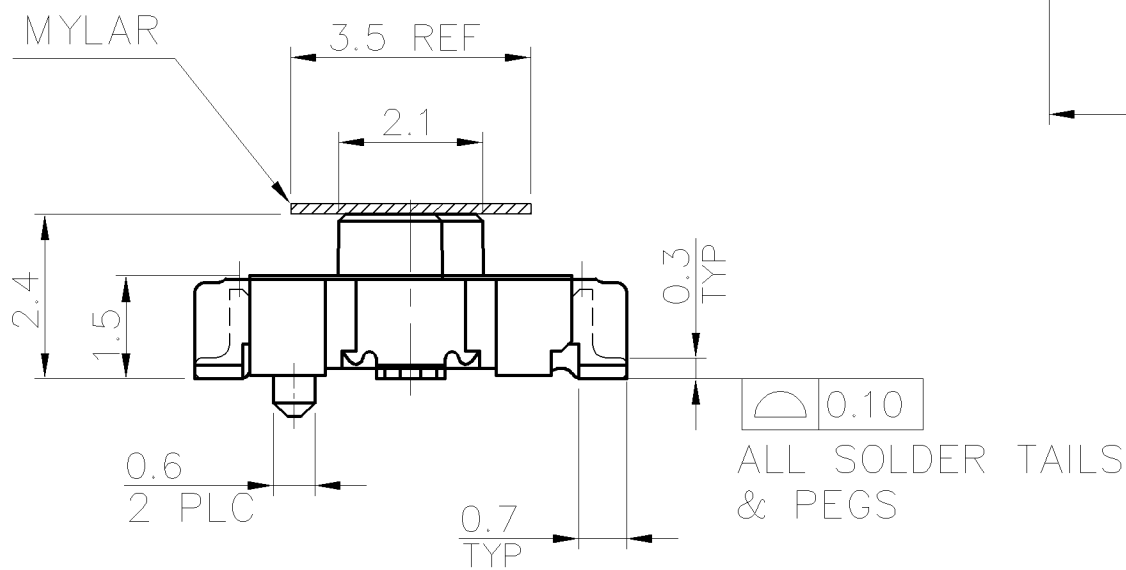
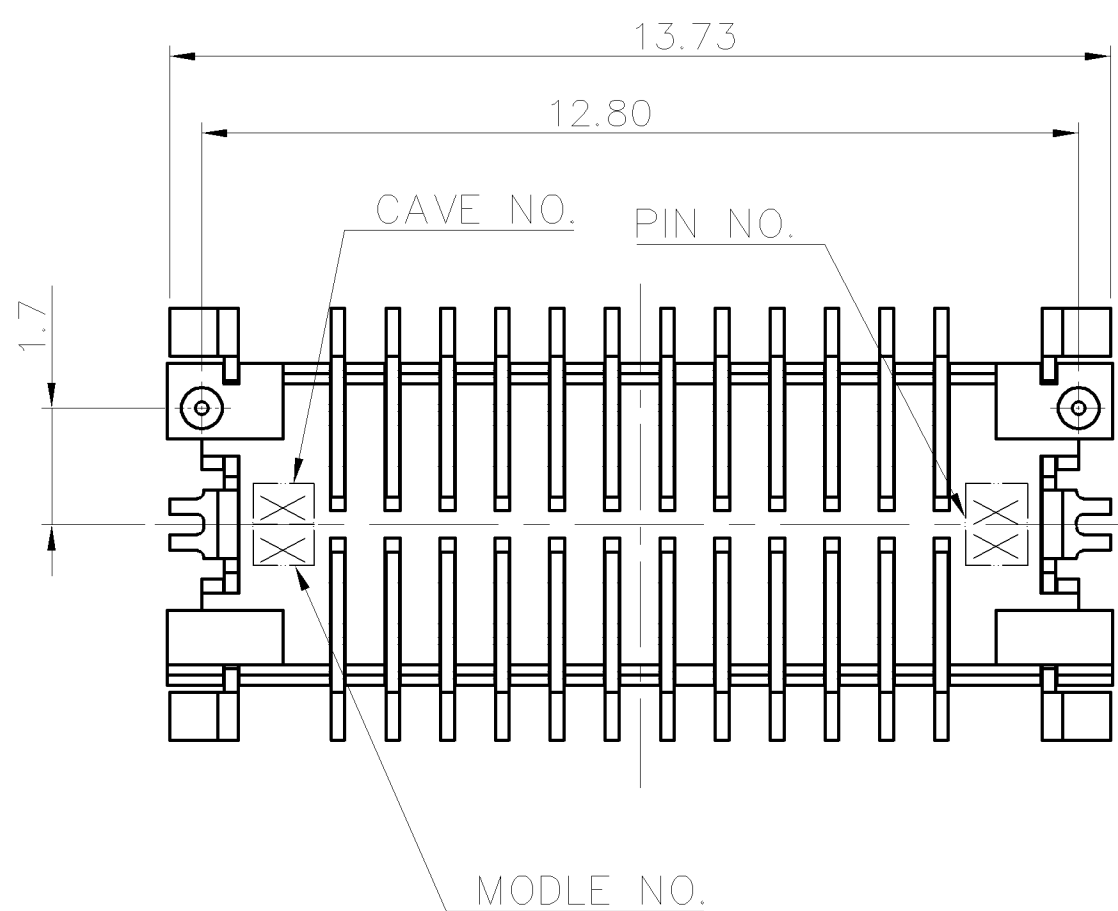
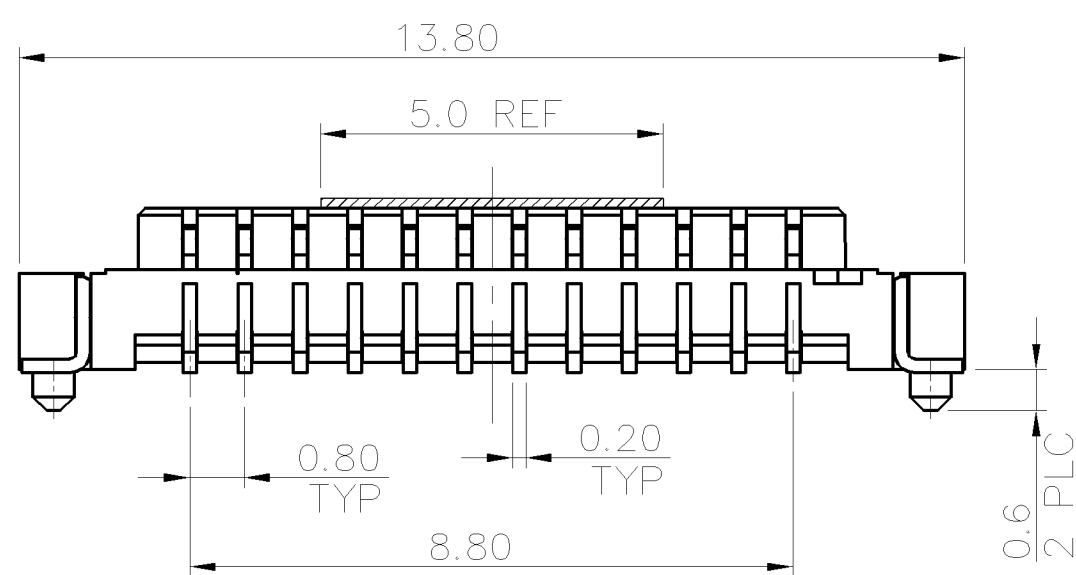
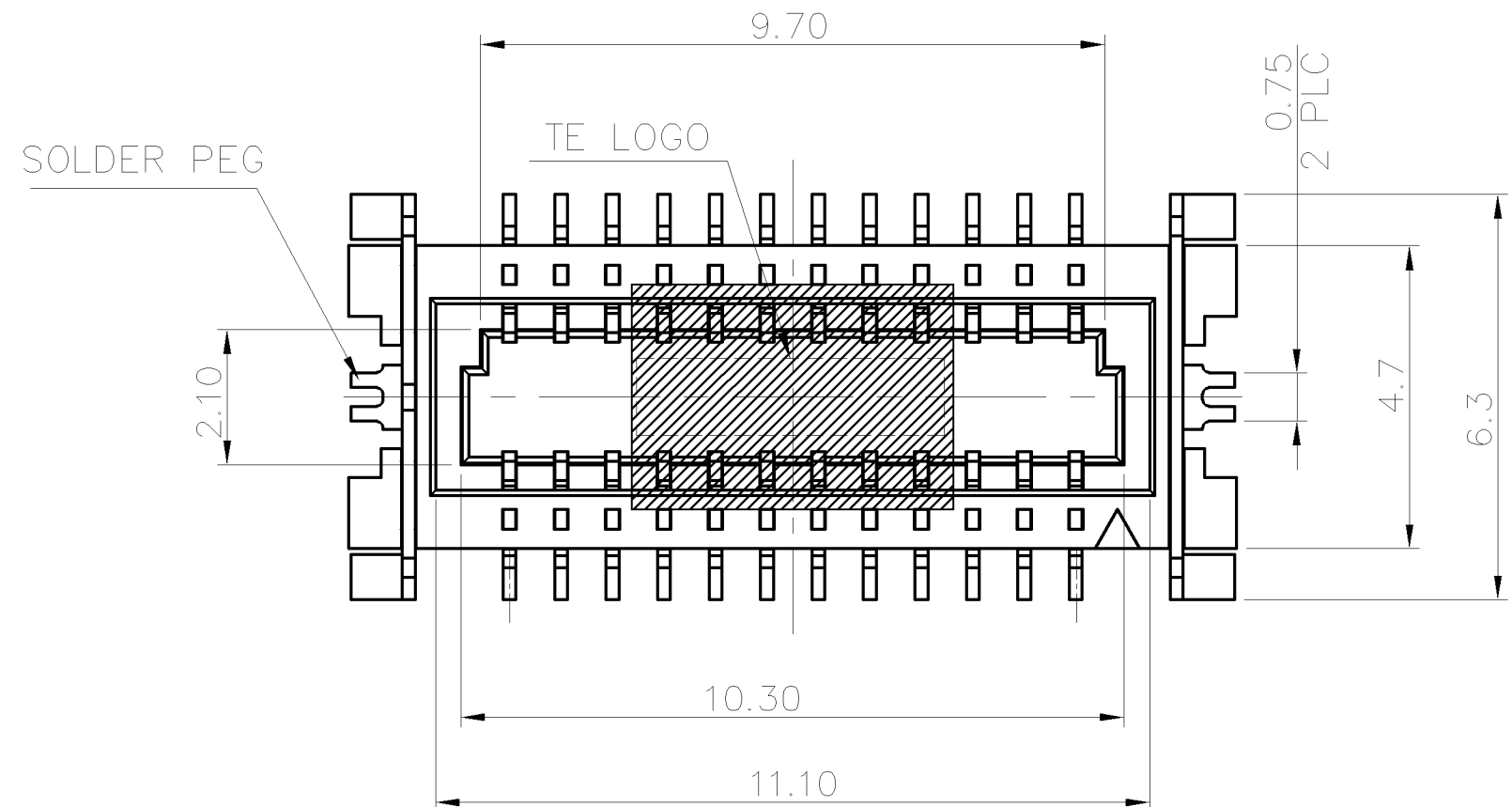
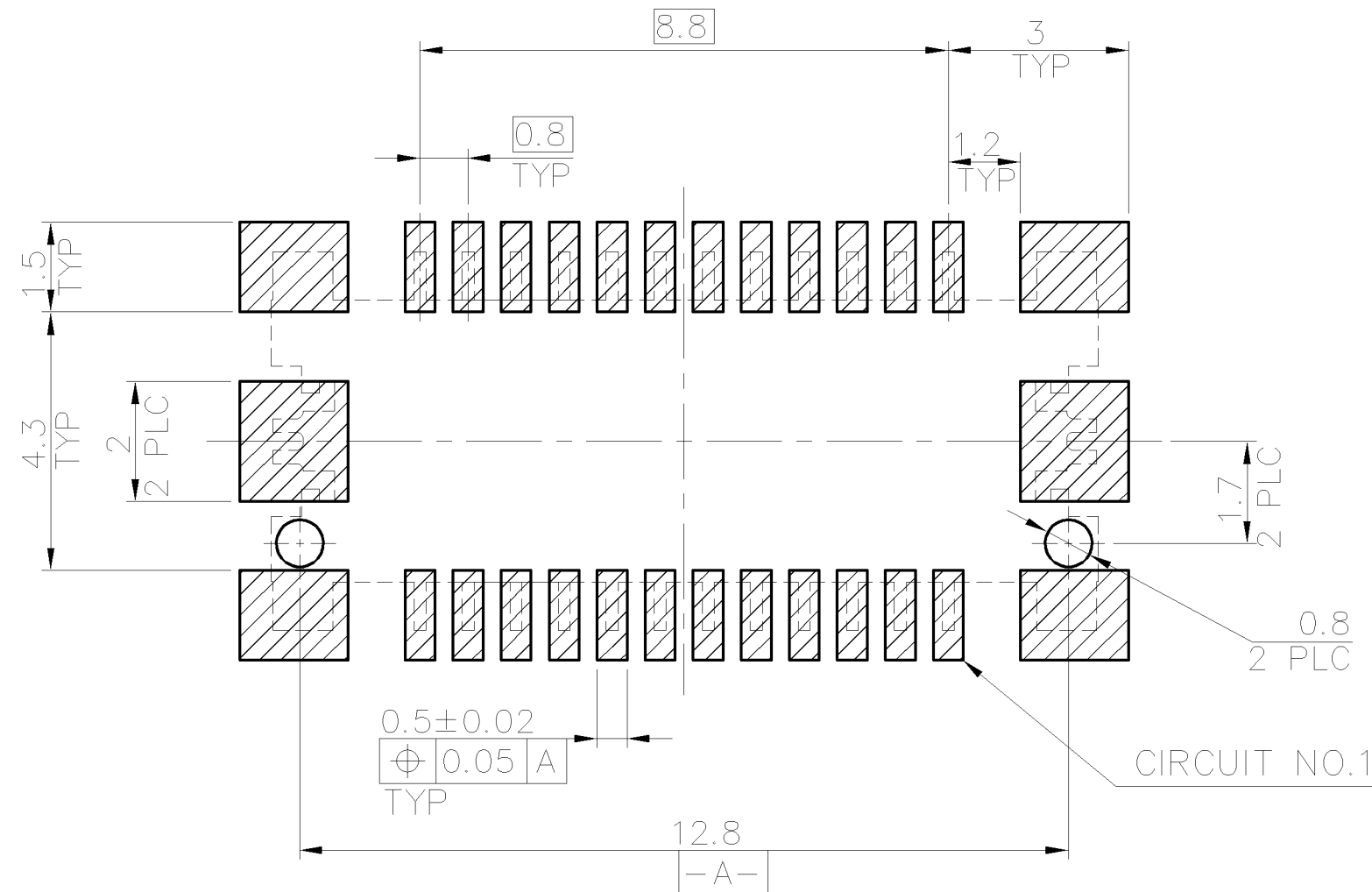


THIS DRAWING IS UNPUBLISHED. RELEASED FOR PUBLICATION  
 © COPYRIGHT 2009 BY TYCO ELECTRONICS CORPORATION. ALL RIGHTS RESERVED.

| LOC |  | DIST |  | REVISIONS |     |               |         |     |      |
|-----|--|------|--|-----------|-----|---------------|---------|-----|------|
| DW  |  |      |  | P         | LTR | DESCRIPTION   | DATE    | DWN | APVD |
|     |  |      |  | A1        |     | ECR-10-007643 | 08APR10 | SC  | WK   |



3 STACKING HEIGHT



TOLERANCE: ±0.05  
 RECOMMENDED PCB LAYOUT  
 (TOP VIEW)

NOTE:

- MATERIAL:  
 HOUSING: PA6T WITH 30% GF, UL 94V-0, NATURAL COLOR.  
 CONTACTS: PHOSPHOR BRONZE.  
 PEGS: BRASS.  
 MYLAR: POLYSTYRENES, ORANGE COLOR.
- FINISH:  
 CONTACTS: 2.54µm [100µ"] MIN. MATTE-TIN OVER 1.27µm [50µ"] MIN. NICKEL PLATED.  
 PEGS: 2.54µm [100µ"] MIN. MATTE-TIN OVER 1.27µm [50µ"] MIN. NICKEL PLATED.
- RECOMMENDED PART NUMBER OF MATING PLUG: X-2041173-X
- REFLOW SOLDER CAPABLE TO 260°C PER TEC-109-201, CONDITION B.
- LOW HALOGEN SPEC:  
 CHLORINE(Cl): 900ppm MAX.  
 BROMIN(Br): 900ppm MAX.

2-2041201-4  
 PART NUMBER

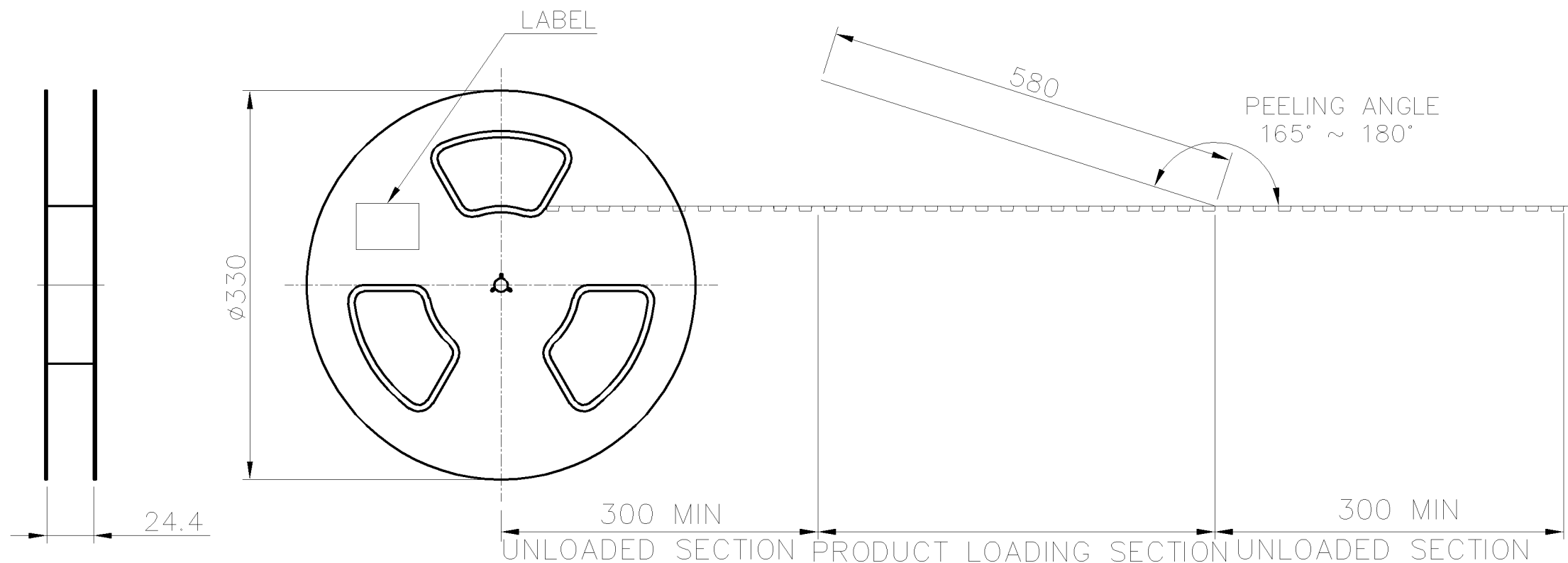
|  |  |                                |  |                    |
|--|--|--------------------------------|--|--------------------|
| THIS DRAWING IS A CONTROLLED DOCUMENT.   |  | DWN<br>A. WU<br>16NOV2009      | Tyco Electronics Corporation<br>Taipei, Taiwan |                    |
| DIMENSIONS:<br>MM  |  | CHK<br>S. CHIEN<br>16NOV2009   | NAME   |                    |
| TOLERANCES UNLESS OTHERWISE SPECIFIED:<br>0 PLC ± -<br>1 PLC ±0.3<br>2 PLC ±0.2<br>3 PLC ± -<br>4 PLC ± -<br>ANGLES ± 3' |  | APVD<br>W. KODAMA<br>16NOV2009 | PRODUCT SPEC<br>108-57488                      |                    |
| MATERIAL<br>SEE NOTE   |  | FINISH<br>SEE NOTE             | SIZE<br>A2                                     | CAGE CODE<br>00779 |
|  |  | WEIGHT<br>0.217g               | DRAWING NO.<br>C=2041201                       | RESTRICTED TO<br>- |
|  |  | CUSTOMER DRAWING               |  | SCALE<br>-         |
|  |  | SHEET<br>1 of 2                |  | REV<br>A1          |

THIS DRAWING IS UNPUBLISHED. RELEASED FOR PUBLICATION  
 © COPYRIGHT 2009 BY TYCO ELECTRONICS CORPORATION. ALL RIGHTS RESERVED.

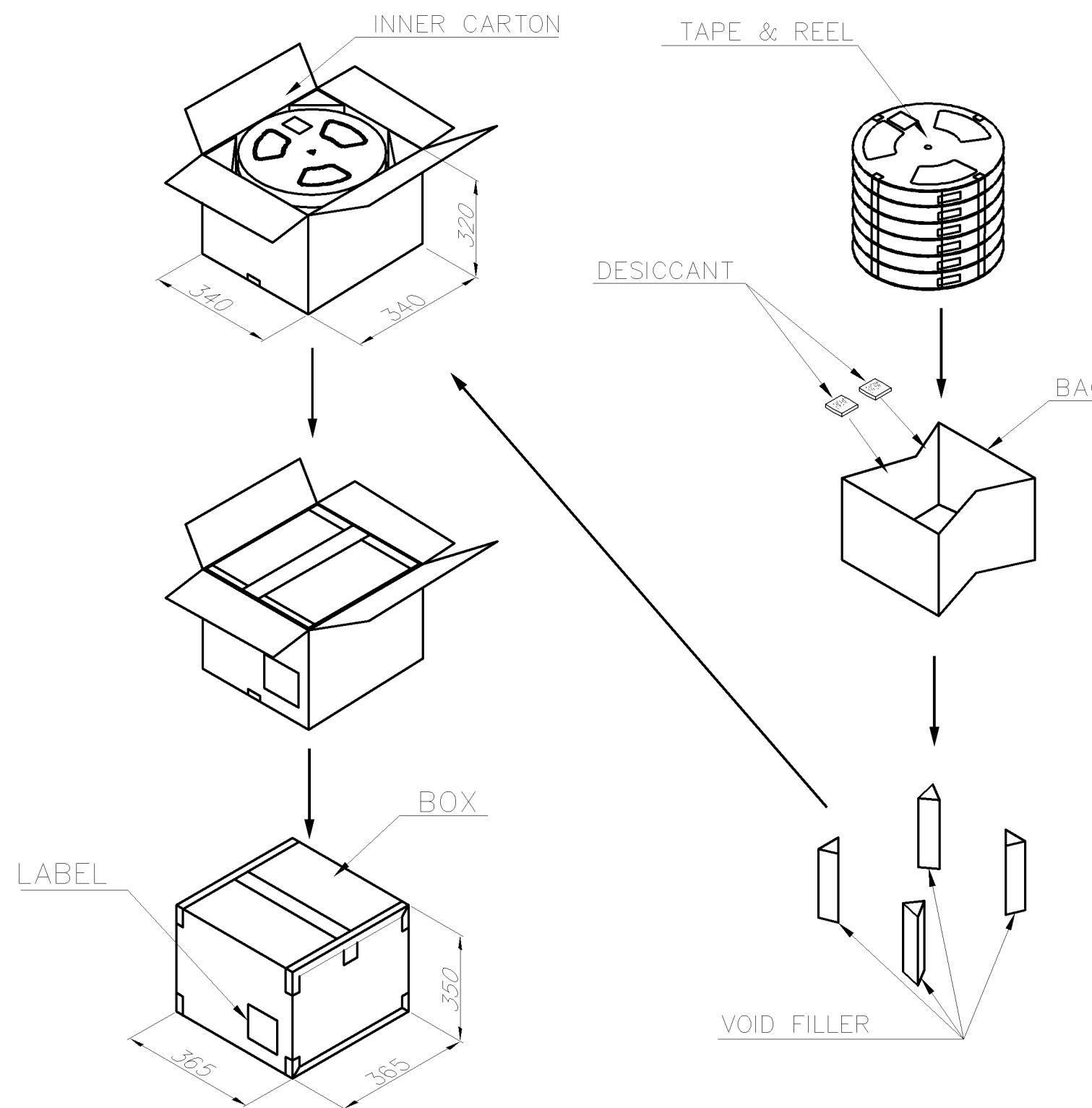
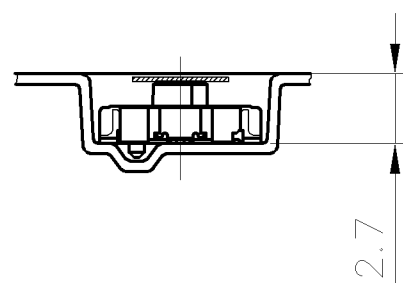
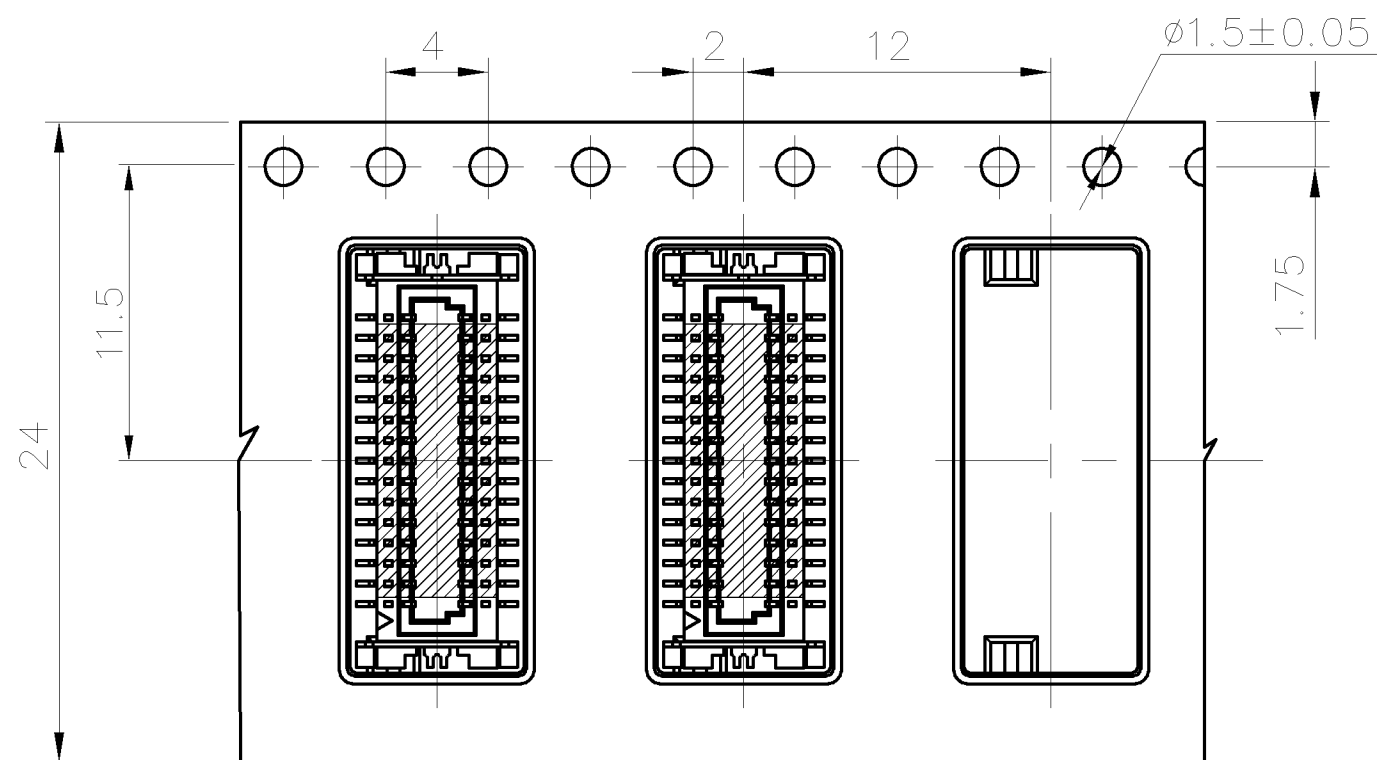
| LOC | DIST | REVISIONS    |      |     |      |
|-----|------|--------------|------|-----|------|
| P   | LTR  | DESCRIPTION  | DATE | DWN | APVD |
| DW  | -    | SEE SHEET 1. |      |     |      |

NOTES:

- MATERIAL:  
 BOX: FIBREBOARD, CORRUGATED, DOUBLE WALL.  
 COVER TAPE: POLYSTYRENES, 120°C HEAT-RESISTANT TEMPERATURE, TRANSPARENT COLOR.  
 CARRIER TAPE: POLYSTYRENES, 120°C HEAT-RESISTANT TEMPERATURE, TRANSPARENT COLOR.  
 REEL: HIPS, 70°C HEAT-RESISTANT TEMPERATURE, BLUE COLOR.  
 BAG: POLYETHYLENES, 100°C HEAT-RESISTANT TEMPERATURE, TRANSPARENT COLOR.
- EACH BAG SHALL BE INCLUDED DESICCANT.
- PEELING STRENGTH: 0.1 ~ 1.3 N (10 ~ 130 GRAMS).
- PEELING SPEED: 300 mm/min.



USER DIRECTION OF UNREELING →



|           |              |               |             |             |                    |
|-----------|--------------|---------------|-------------|-------------|--------------------|
| 15000 PCS | 1500         | 10            | 9.5         | 3.26        | 24                 |
| QUTANITY  | PCS/<br>TAPE | REELS/<br>BOX | G/W<br>(Kg) | N/W<br>(Kg) | NO. OF<br>CONTACTS |

|  |       |           |           |                              |               |
|--|-------|-----------|-----------|------------------------------|---------------|
| THIS DRAWING IS A CONTROLLED DOCUMENT. |       | DWN       | 16NOV2009 | Tyco Electronics Corporation |               |
| DIMENSIONS: MM                         |       | CHK       | 16NOV2009 | Taipei, Taiwan               |               |
| TOLERANCES UNLESS OTHERWISE SPECIFIED: |       | APVD      | 16NOV2009 | NAME                         |               |
| 0 PLC                                  | ± -   | W. KODAMA |           | PRODUCT SPEC                 |               |
| 1 PLC                                  | ± 0.3 | -         |           | APPLICATION SPEC             |               |
| 2 PLC                                  | ± 0.2 | -         |           | WEIGHT                       |               |
| 3 PLC                                  | ± -   | -         |           | CUSTOMER DRAWING             |               |
| 4 PLC                                  | ± -   | -         |           | SCALE                        |               |
| ANGLES                                 | ± 3'  | -         |           | SHEET                        |               |
| FINISH                                 | ± -   | -         |           | REV                          |               |
| MATERIAL                               |       | SIZE      | CAGE CODE | DRAWING NO                   | RESTRICTED TO |
|  |       | A2        | 00779     | C=2041201                    | -             |
|  |       | SCALE     |           | SHEET 2 of 2                 |               |
|  |       | -         |           | REV A1                       |               |