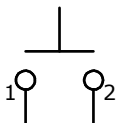


PANEL MOUNTING



CIRCUIT: SPST
OFF-(ON)
MOMENTARY

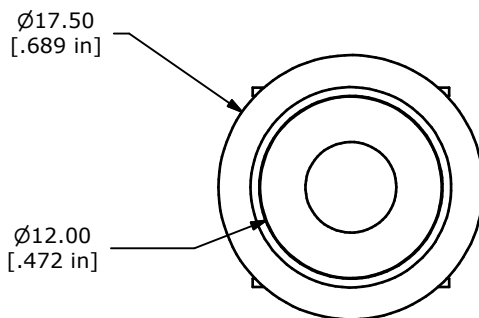


NOTE:

1. ALL DIMENSIONS IN MM [INCH]
2. GENERAL TOLERANCE: X.X=±0.4
X.XX=±0.25
3. TERMINAL NUMBERS FOR REF ONLY
4. CIRCUIT: SPST OFF-MOMENTARY ON
5. CONTACT MATERIAL: GOLD over SILVER
- ▲ 6. RATING: 125mA @ 125 VAC
100mA @ 50 VDC
- ▲ 7. ELECTRIC LIFE: 500,000 CYCLES AT FULL LOAD
8. CONTACT RESISTANCE: 50 milli-OHM max. (INITIAL)
9. INSULATION RESISTANCE: 1,000 MEGA-OHM min. @ 500VDC.
10. DIELECTRIC STRENGTH: 1,000 VAC rms.
- ▲ 11. OPERATING FORCE: 350 gf +/- 150 gf
12. OPERATING TEMPERATURE: -30°C TO +85°C.
13. CONTACT BOUNCE: 10ms MAX.
- ▲ 14. TRAVEL: 1.5mm
15. PANEL THICKNESS RANGE: 0.8 - 1.8 mm.
16. ▲ DENOTES CRITICAL PARAMETER.
17. 2002/95/EC (ROHS) COMPLIANT
18. HARDWARE INCLUDED:

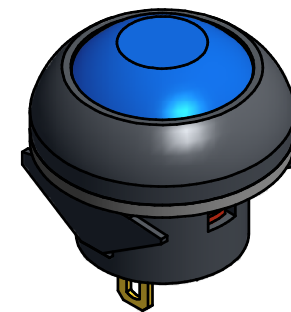
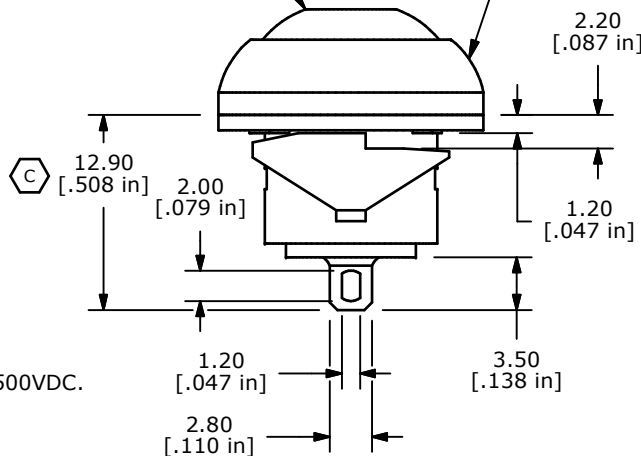
1. T081100 RUBBER SEAL (1)

▲ 19. SEAL RATING: IP67 AT THE FRONT PANEL

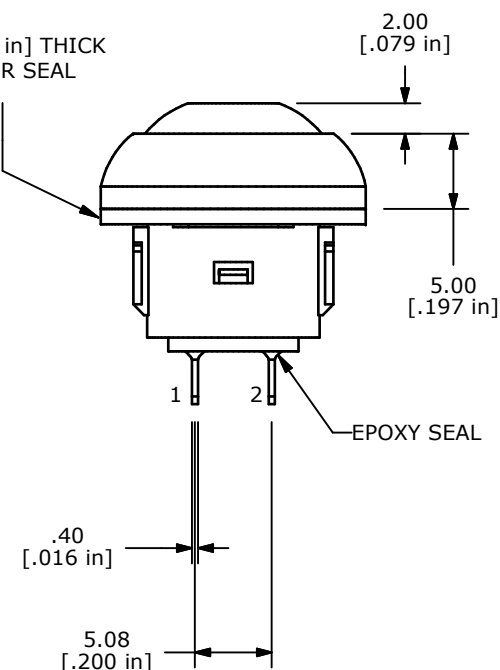


▲ ACTUATOR:
COLOR BLUE

HOUSING
BLACK



1.0 [0.04 in] THICK
RUBBER SEAL



REV	PCR NO	DESCRIPTION	DATE	BY
D	21595	CHANGE SEAL RATING FROM IP65 TO IP67	9/25/14	EBP
C	19489	CORRECT NOTE & DIM / DWG CLEAN-UP	12/01/10	BMA
B	19358	MISC. DRAWING UPDATES	10/26/10	BMA
A	18777	RELEASE FOR PRODUCTION	3/15/10	rc



TITLE RP8100B1M1CEBLKBLUNIL

SCALE	DATE	DR	DWG	REV
2 : 1	3/15/2010	rc	ST081043	D

THE INFORMATION CONTAINED IN THIS DOCUMENT IS PROPRIETARY TO E-SWITCH AND IS NOT TO BE COPIED OR TRANSFERRED