



**Features:**

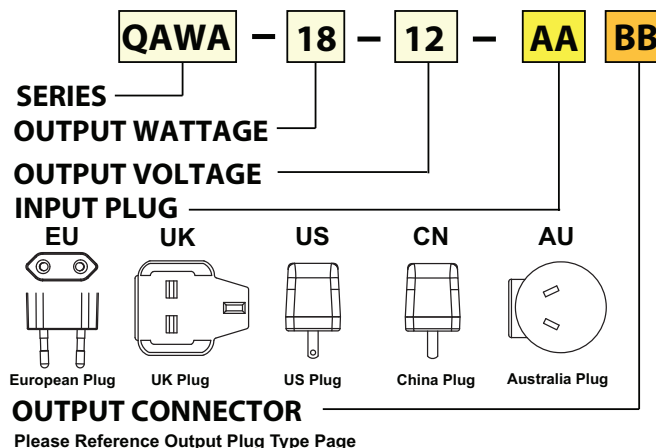
- Universal AC input/ Full Range
- Energy Efficiency Level VI
- ErP Step 2 Compliant
- NRCAN and GEMS Compliant
- Output Protections: OVP/SCP/OC
- No Load Power Consumption <0.1W
- 1 Year Warranty



Model	QAWA-18-5	QAWA-18-5.9	QAWA-18-7	QAWA-18-7.5	QAWA-18-9	QAWA-18-10	QAWA-18-12	QAWA-18-15	QAWA-18-16	QAWA-18-18	QAWA-18-24
<b>Output Characteristics</b>											
DC Output	5.0V	5.9V	7V	7.5V	9V	10V	12V	15V	16V	18V	24V
Rated Current	3.0A	3.0A	2.5A	2.5A	2.2A	1.9A	1.6A	1.3A	1.2A	1.1A	0.8A
Ripple and Noise	±2% Vo @ Rated Load										
Load Regulation (Typ.)	±5%										
Transient Response (Typ.)	0.5mS for 50% Load Change										
Hold-up Time (Typ.)	10mS @ Rated Load										
Output Protection	Short Circuit, Over Voltage, Over Current										
Ferrite Core	No										
<b>Input Characteristics</b>											
Voltage Range	100VAC~240VAC										
Frequency Range	50Hz-60Hz										
Efficiency	DoE Level VI, Energy Star, ErP Step 2, NRCAN & GEMS Level VI Certified										
AC Current (max)	0.48A										
Input Protection	Internal Primary Current Fuse, Inrush Limiting										
Leakage Current	0.25mA										
<b>Environmental Characteristics</b>											
Operating Temperature	0°C~40°C										
Operating Relative Humidity	20% RH to 80% RH										
Storage Temperature	-20°C~80°C, 10% RH to 90% RH										
Topology	Switching Flyback										
Dielectric Withstand	3000VAC Primary-Secondary										
EMI Conduction & Radiation	Compliance to EN55022 Class B										
Harmonic Current	Compliance to EN61000-3-2, 3										
EMS Immunity	Compliant to IEC61000-4-2, 3, 4, 5, 6, 8, 11										
<b>Characteristics</b>											
MTBF	300,000Hrs (25°C, Telecordia SR-332)										
Dimension (LxWxH)	72x34x69mm (US), 72x34x90mm (EU), 72x50x81mm (UK), 72x40x78 (AU), 72x34x69 (CN)										
Weight	148g (US), 154g (EU), 158g (UK), 150g (AU), 148g (CN)										

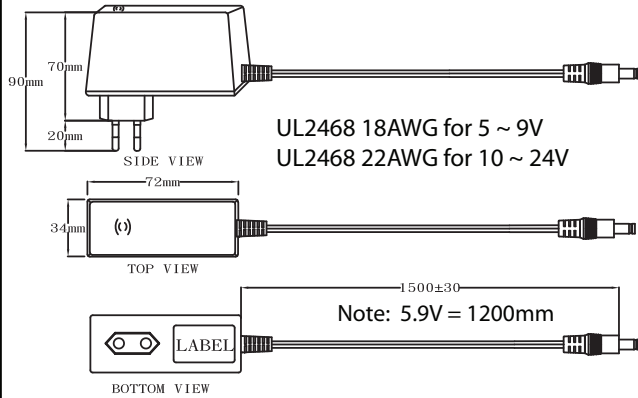
Note: Safety Approvals  
 EU: CB, CE, LPS  
 UK: CB, CE, LPS  
 US: CB, UL, cUL, FCC, PSE, BSMI, LPS  
 AU: CB, RCM, LPS  
 CN: CB, CCC, LPS

**PART NUMBER SYSTEM**

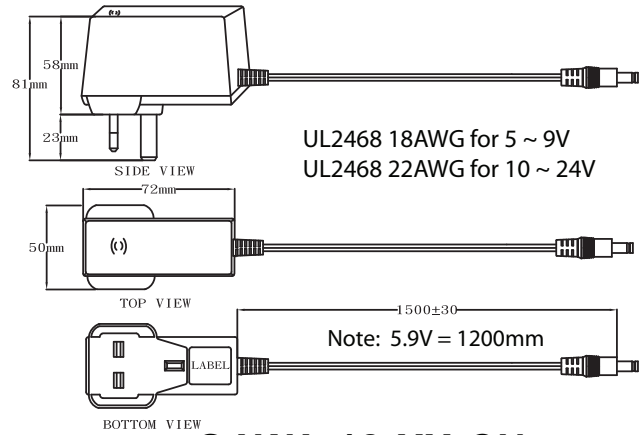


## MECHANICAL SPECIFICATIONS

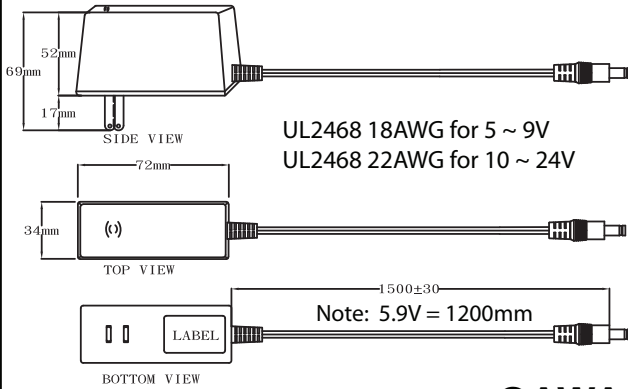
### QAWA-18-XX-EU



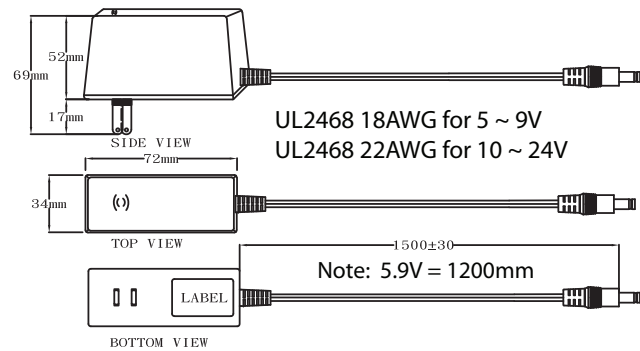
### QAWA-18-XX-UK



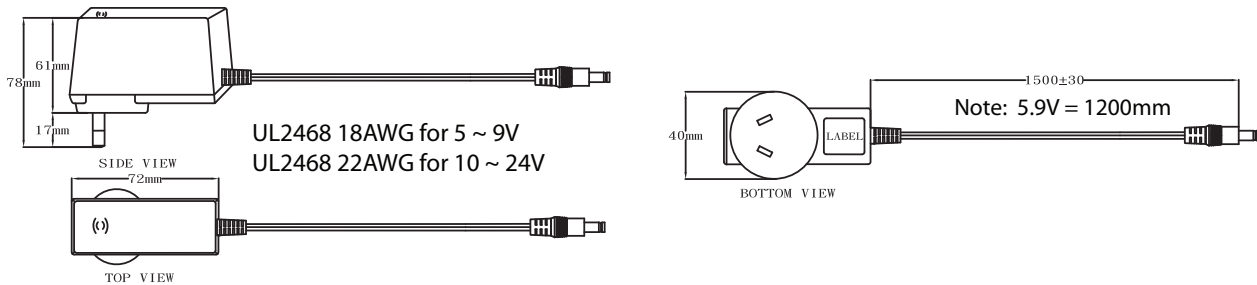
### QAWA-18-XX-US



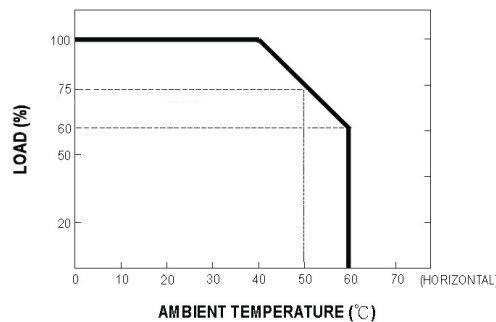
### QAWA-18-XX-CN



### QAWA-18-XX-AU



## DERATING CURVE



UNIT: mm