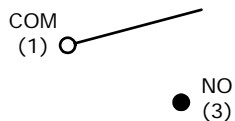


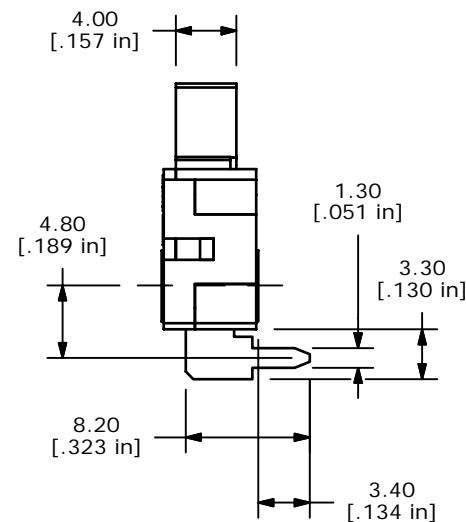
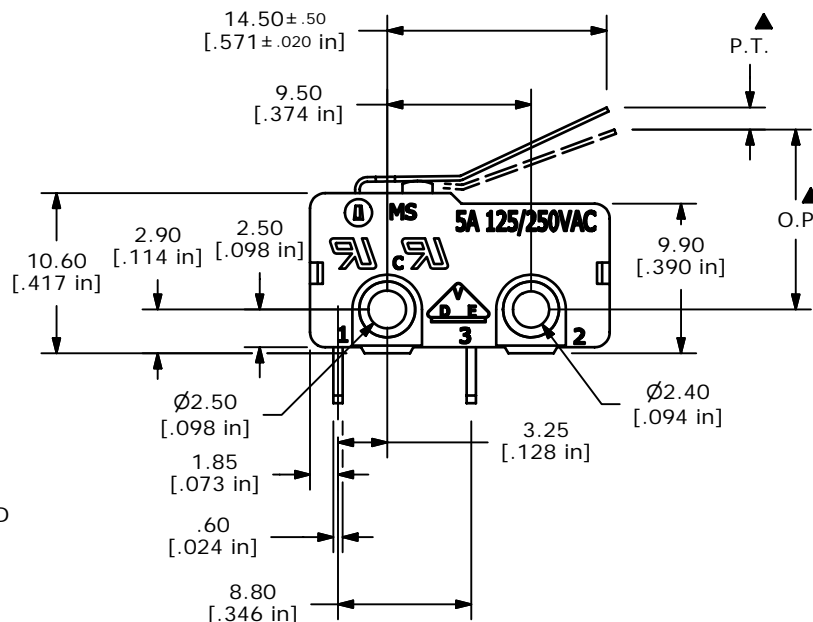
ISOMETRIC

O.P. (MM)	P.T. (MM)
13.9±1.5	1.1 MAX.

O.P. = OPERATING POINT
P.T. = PRE-TRAVEL



CIRCUIT: SPST
NORMALLY OPEN



- NOTES:
- ALL DIMENSIONS IN MM [INCH]
 - GENERAL TOLERANCE: X.X=±0.4
X.XX=±0.25
 - RATING: 5A @125/250VAC UL, CUL, VDE APPROVED
 - OPERATING FORCE: 35±20 GRAMS
 - OPERATING TEMP: -25°C TO 85°C
 - ELECTRICAL LIFE: 50,000 CYCLES MIN.
 - MECHANICAL LIFE: 1,000,000 CYCLES TYP.
 - INSULATION RESISTANCE: 100 MEGA-OHMS
 - DIELECTRIC STRENGTH: 1000VAC 1 MINUTE (INITIAL VALUE)
 - CONTACT RESISTANCE: 100 MILLI-OHMS MAX.
 - ▲ DENOTES CRITICAL PARAMETER.
 - 2002/95/EC (ROHS) COMPLIANT
 - PACKAGE: TRAY, 270 PCS PER TRAY / 14 TRAYS PER BOX.



TITLE MS0850506F035V1C				
SCALE	DATE	DR	DWG	REV
2:1	1/4/2008	BLR	Q970088	A

A	17910	RELEASED FOR PRODUCTION	1/04/08	BLR
REV	PCR NO	DESCRIPTION	DATE	BY
THE INFORMATION CONTAINED IN THIS DOCUMENT IS PROPRIETARY TO E-SWITCH AND IS NOT TO BE COPIED OR TRANSFERRED				