

1

2

3

4

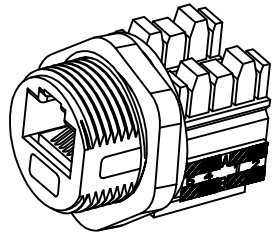
5

6

7

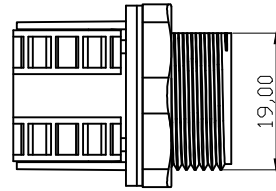
A

A



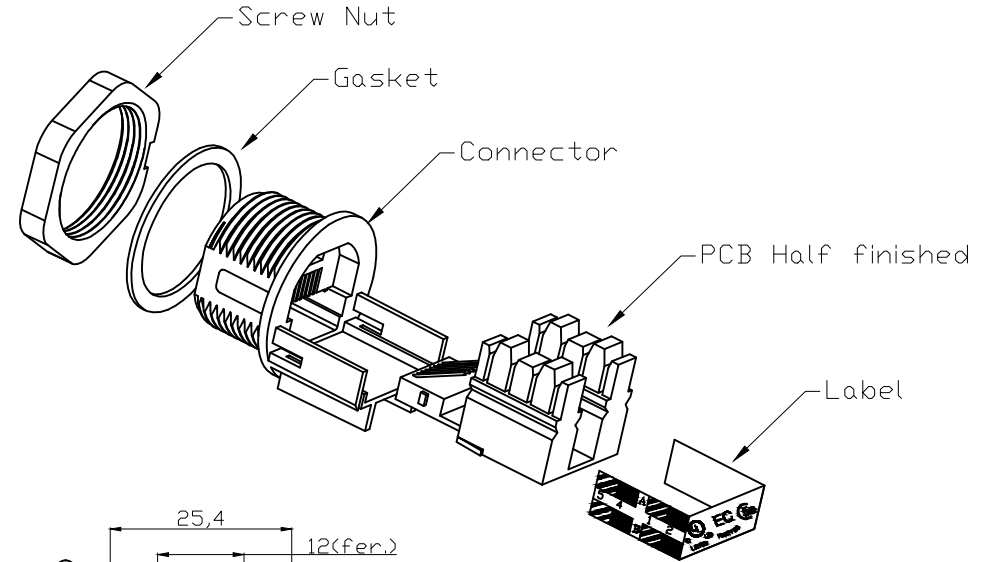
B

B



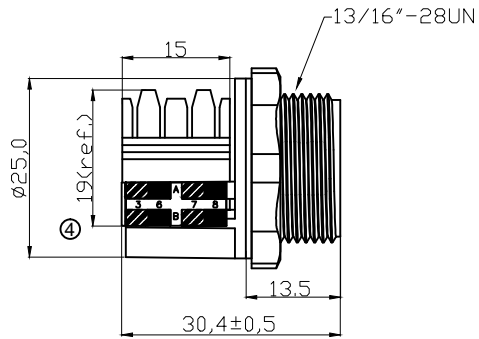
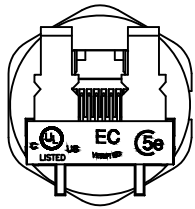
C

C



D

D



E

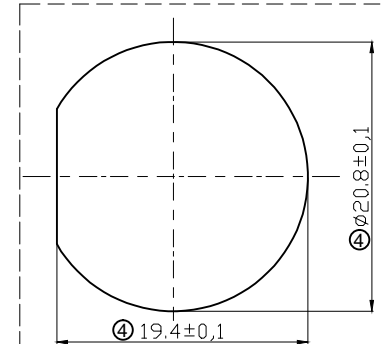
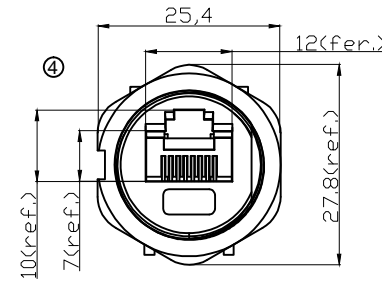
E

NOTES:

Waterproof Rate: IP67
 Connector: ABS, Black
 Screw Nut: Nylon+GF, Black
 Gasket: EPDM 70
 Use panel thickness max: 2.5mm
 24AWG wires for cable
 Packing: Tray

F

F



Recommended Panel Cut-Out

G

G

RoHS compliant
 Unit: mm

Scale	Free					Date	Name	Customer-No.
TOLERANCE						Drawn	08.11.2007	Hellwig
±0.25mm						Approved	23.06.2014	Joanna
		④	Add spec	23.06.2014	Joanna			ASSMANN WSW-No.
		③	Update	25.02.2014	Amy			A-RJ45 KU
		②	Update	28.06.2010	Dean			
		①	Drawn	08.11.2007	Hellwig			Drawing-No.
		Id.	Modification	Date	Name			③ ASS 1552 CO
								Replace
								Sheet

H

H

1

2

3

4

5

6

7

SV637